



Abe Bluetooth Headset
Abe CS8035

User Manual Index

Picture shows.....	2
Charging the battery.....	3
Turning on the Headset	3
Turning off the Headset..	3
Putting Headset in Pairing Mode.....	4
Bluetooth Connection.....	5
Answering incoming calls.....	5
Transferring calls.....	5
Ending calls.....	6
To make a new call.....	6
Redialing last dialed number.....	6
Adjusting speaker volume.....	6
Right or left ear.....	7
Putting way.....	8
Low-battery indication.....	9
Battery recharging.....	9
Fully charge.....	9
Charging Connection Diagrams.....	10,11
Accessories Table	12
FCC warning statement.....	13



Hong Kong 香港

Unit 207-210, 2/F., Century Centre, 44-46 Hung to Road.

Kwun Tong, Kowloon, Hong Kong.

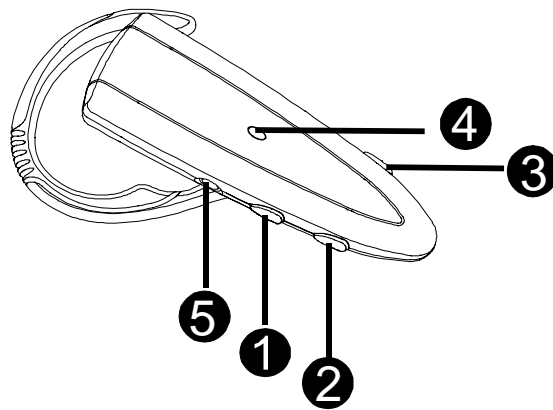
九龙观塘鸿图道 44-46 号世纪工商中心 2 楼 207-210 室

Tel(电话):(852)2191-8899 Fax(传真):(852) 2191-7788

E-mail (电 邮): abe@in-tech.com.hk

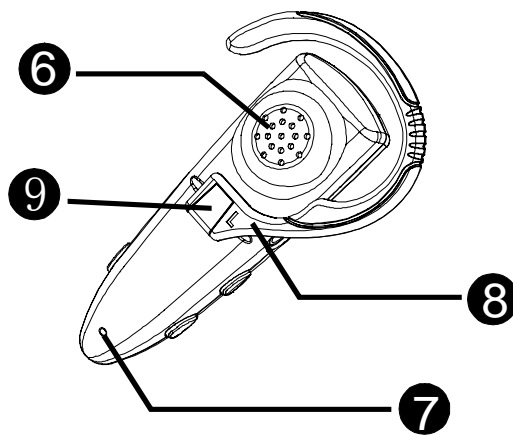
Website (网址): www.abe-hk.com

Abe Bluetooth Headset



- 1. On/Off (S1)
- 2. Volume Up (S2)
- 3. Volume Down (S3)
- 4. LED
- 5. DC Socket

1



- 6. Speaker
- 7. Microphone
- 8. Ear hook
- 9. Knuckle Joint

2

Charging the battery

Thank you for buying new Abe Bluetooth Headset. Before first time use, it is important to charge the battery for 12 hours.

Turning on the Headset

While the Headset (HS) is powered down, press and hold S1 for 2 seconds. A low tone followed by a high tone will indicate that the HS is powered up. Green LED will turn on for 1 second. Afterward, green LED will flash every 3 seconds.

Turning off the Headset

While the HS is powered up, press and hold S1 for 3 seconds. A high tone followed by a low tone will indicate that the HS is powered down. Red will turn on for 1 second. LED will be turned off when the HS is powered down.

Putting Headset in Pairing Mode

While the HS is powered off, press and hold S1 for 4 seconds. Red and Green LEDs flashing alternately will indicate the HS is in Pairing Mode.

Follow the operating instructions for your Bluetooth mobile phone to start the pairing process. Typically, this has to be done by going to a setup or connect menu and then selecting the options to discover Bluetooth devices. Bluetooth may take several seconds to establish a connection.

Your phone's display should indicate that it has found the "CS8035" headset and asks if you want to pair it. You should confirm this. The phone's display would prompt you for a passkey or PIN. Enter a sequence of "1234".

The headset LED will flash Green every 3 seconds, indicating successful pairing. Usually the phone will also ask whether you want to change the headset's name. We would recommend you should approve the CS8035 name and not change it.

If pairing does not occur as expected. Turn the headset and phone off and wait for 10 seconds. Turn the headset and phone on again and repeat all steps from beginning.

Bluetooth Connection

For some models of Bluetooth phone such as Nokia 3650 or Sony Ericsson T630, T610 or T68i, it is necessary to set the CS8035 in connect mode before conversation, please follow the operating instructions of your Bluetooth phone to set pairing to Abe Bluetooth headset.

Answering Incoming Calls

When an incoming call is present, the HS will ring. Pressing S1 will answer the call. The green LED will continue to flash fast while the call is in session. (Once every second)

Transferring Calls (For Nokia 3650 or equivalent models)

Calls can be transferred from the Bluetooth phone to the HS and from the HS to the Bluetooth phone.

To transfer a call from the Bluetooth phone to the HS: press S1 once, the call will be transferred to the HS.

To transfer a call from HS to the Bluetooth phone, please follow the operating instructions of your phone.

Muting the microphone

To mute the microphone during an active call

Pressing both S2 and S3 buttons simultaneously for about a second, the microphone will be muted. A periodic beep tone will be heard while the mute function is active.

To end the mute function

When the microphone is muted, press on both S2 and S3 buttons simultaneously will end the mute function and the periodic beep tone will stop.

Ending Calls

While a call is in session on the Headset HS, pressing S1 will disconnect the call. After the call is disconnected, the green LED will flash normally.

To reject a call (For Nokia 3650, Siemens S55, or equivalent models)

When the HS rings, press and hold S1 until you hear a long beep tone.

To make a new call

To make a call using voice dialing

1. Make sure the phone and the HS are on within the range of each other. Press S1.
2. After the beep tone, voice dial as you normally would. If using the Bluetooth phone adapter, say the voice command after the phone beeps (not after the headset's beep tone). To know when the phone beeps in relation to the headset beep, you can make a test call using voice dialing.

Redialing last dialed number (For Nokia 3650, Siemens S55, or equivalent models)

To redial the last dialed number, press and hold S3 for 2 seconds. Short low tones will indicate an attempt to redial.

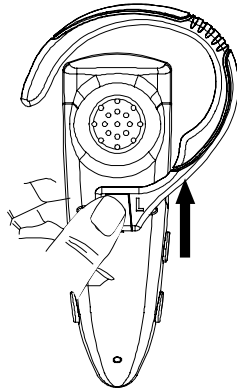
Adjusting Speaker volume

While a call is in session, pressing and releasing S2 will increase the speaker volume and pressing and releasing S3 will decrease the speaker volume on the HS. There is a key tone to indicate volume increase or decrease. However, the key tone will stop when the volume level reaches its maximum or minimum.

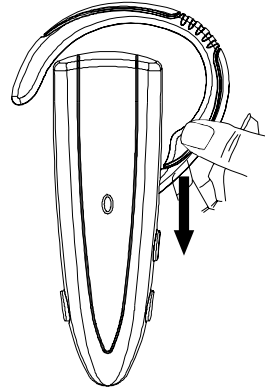
Right or left ear

If you want to wear the HS on your right ear, you have to change the orientation of the ear hook.

Left ear orientation



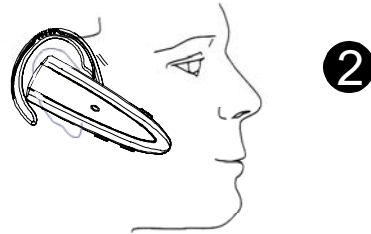
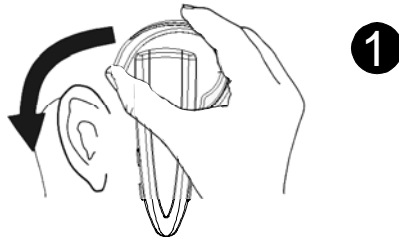
Right ear orientation



1) Pull the ear hook upward from the knuckle joint and flip the hook 180 degrees.

2) Put the ear hook back to the knuckle joint and pull it down firmly.

Putting way



1. Put on the headset with the ear hook behind you ear.
2. Make sure the microphone is pointing towards your mouth.

Low-battery indication

The HS LED will flash red instead of green when the battery is low.

There will also be a short beep every 2 minutes. When the battery level is too low, the HS will automatically power off. It cannot be powered on again unless the charger is connected or the battery is sufficiently charged .

Battery recharging

To recharge the battery, connect the charger cable to the HS. During recharging, the LED shows a steady red light if the headset is turned off but the red light will dim once every 3 seconds while the headset is ON.

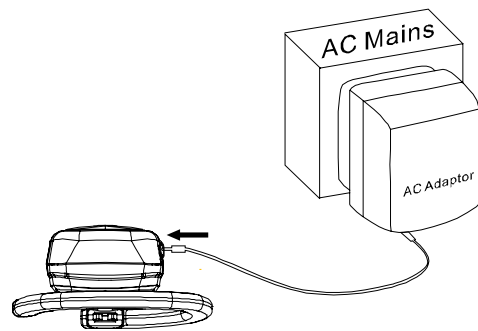
Fully charge

When the battery is fully charged, the indicators of red light and green light will be exchanged. A steady green light represents the headset is off and is fully charged. Green light dims once every 3 seconds represents the headset is on and fully charged.

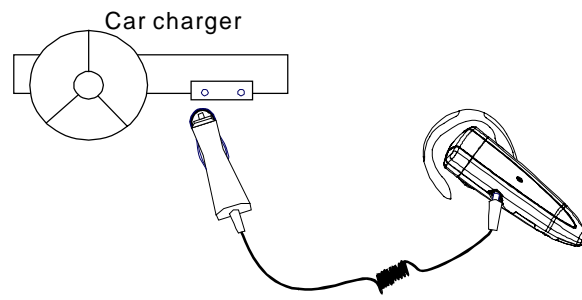
Headset	Headset under charging	Fully charged
Turn on	Red LED dim once every 3 sec	Green LED dim once every 3 sec
Turn off	Red LED on	Green LED on



Charging Connection Diagrams

(1) A/C charging



(2) Car charging



Accessories Table	Description	Status
	A / C Adaptor	Optional
	Car Charger	Optional

Note:

- Approval model number: CS8035
- BQB, CE, and FCC approved

15.19(a)(3)

This device complies with Part 15 of the FCC Rules. Operation is subject to the following two conditions:

- (1) This device may not cause harmful interference.
- (2) This device must accept any interference received, including interference that may cause undesired operation.

15.105 Federal Communications Commission (FCC) Requirements, Part 15

This equipment has been tested and found to comply with the limits for a class B digital device, pursuant to part 15 of the FCC Rules. These limits are designed to provide reasonable protection against harmful interference in a residential installation.

This equipment generates, uses and can radiate radio frequency energy and, if not installed and used in accordance with the instructions, may cause harmful interference to radio communications. However, there is no guarantee that interference will not occur in a particular installation. If this equipment does cause harmful interference to radio or television reception, which can be determined by turning the equipment off and on, the user is encouraged to try to correct the interference by one or more of the following measures:

- Reorient or relocate the receiving antenna.
- Increase the separation between the equipment and receiver.
- Connect the equipment into an outlet on a circuit different from that to which the receiver is connected.
- Consult the dealer or an experienced radio/TV technician for help.

Regulatory information / Disclaimers

Installation and use of this Bluetooth Headset device must be in strict accordance with the instructions included in the user documentation provided with the product. Any changes or modifications (including the antennas) made to this device that are not expressly approved by the manufacturer may void the user's authority to operate the equipment. The manufacturer is not responsible for any radio or television interference caused by unauthorized modification of this device, or the substitution of the connecting cables and equipment other than manufacturer specified. It is the responsibility of the user to correct any interference caused by such unauthorized

modification, substitution or attachment. Manufacturer and its authorized resellers or distributors will assume no liability for any damage or violation of government regulations arising from failing to comply with these guidelines.

IMPORTANT NOTE (CO-LOCATION)

FCC RF Radiation Exposure Statement: This equipment complies with FCC RF radiation exposure limits set forth for an uncontrolled environment. This device and its antenna must not be co-located or operating in conjunction with any other antenna or transmitter.
