



Bluetooth® Buzzer Pendant CS8057

User Manual

<http://www.abe-hk.com>

Table of Content

I. Profile and its function.....	1
1. Profile.....	1
2. Function.....	1
II. How to Use.....	2
1. Charging the battery.....	2
2. Turning on the Buzzer Pendant	3
3. Turning off the Buzzer Pendant	3
4. Pair the Buzzer Pendant with your mobile phone.....	3
5. Establishing <i>Bluetooth</i> Link.....	3
6. Clip the Buzzer Pendant onto your clothes.....	4
7. Answering incoming calls.....	4
8. Transferring calls.....	4
9. Muting the microphone.....	4
10. Ending calls.....	5
11. Make a new call in two ways.....	5
12. Adjusting the ear piece volume.....	5
13. Battery recharging.....	6
III. Maintenance and safe use.....	6
IV. Accessories table	7
FCC Interference statement.....	8
Declaration of conformity.....	9

I. Profile and its function

1. Profile

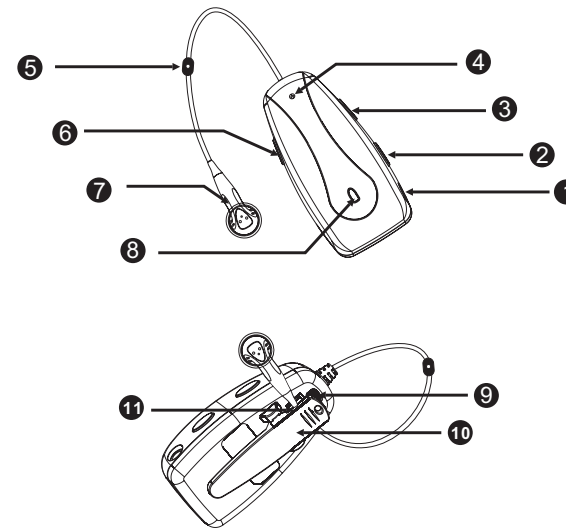


Fig. 1

- | | | |
|-------------------|---------------------|-----------------------------|
| 1. DC Socket | 5. Microphone | 9. Buzzer On/Off Switch |
| 2. On/Off (S1) | 6. Volume Down (S3) | 10. Clip |
| 3. Volume Up (S2) | 7. Ear Piece | 11. Earpiece holder on clip |
| 4. Buzzer | 8. LED | |

2. Function (Please refer to Fig. 1)

- 2.1 DC Socket
Charge the battery with AC Adaptor
- 2.2 On /Off (S1)
If you press S1, you can:
Switch on and off
Perform a *Bluetooth* pairing
Answer a new call
Reject a new call
Make a new call using voice dialing

(1)

- 2.3 Volume Up (S2)
Increase the volume of ear piece
- 2.4 Buzzer
A long beep followed by a short beep to remind the user of an incoming call when the buzzer is turned on.
- 2.5 Microphone
- 2.6 Volume Down (S3)
Redial the last dialed number
Decrease the volume of ear piece
Notice: To mute/un-mute the microphone, please press S2 and S3 simultaneously.
- 2.7 Ear Piece
- 2.8 LED
There are two LED colors (green and red) to indicate the state of this Buzzer Pendant.
- 2.9 Buzzer On/Off Switch
You can turn on/off your buzzer when necessary.
- 2.10 Clip (Please refer to Fig. 1 and Fig. 3)
Clip the Buzzer Pendant onto your clothes.
- 2.11 Earpiece holder on clip (Please refer to Fig. 1)

II. How to use (e.g. Nokia 3650 or equivalent models)

1. Charging the battery (Please refer to Fig. 2)

Thank you for buying the new *Bluetooth* Buzzer Pendant, Abe CS8057. Before first time use, it is important to charge the battery for 12 hours.

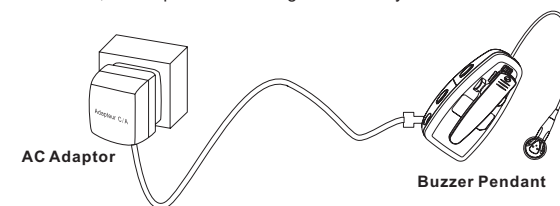


Fig. 2

(2)

2. Turning on the Buzzer Pendant

While the Buzzer Pendant is powered off, press and hold S1 for 2 seconds. A low tone followed by a high tone will indicate that the Buzzer Pendant has powered on. Green LED will turn on for 1 second. Afterwards, green LED will flash every 3 seconds.

3. Turning off the Buzzer Pendant

While the Buzzer Pendant is powered on, press and hold S1 for 5 seconds. A high tone followed by a low tone will indicate that the Buzzer Pendant is powered off. And the LED will keep on Red until S1 is released.

4. Pairing the Buzzer Pendant with your mobile phone

4.1 Put the Buzzer Pendant in pairing mode

While the Buzzer Pendant is powered off, press and hold S1 for 4 seconds. Red and Green LEDs flashing alternately will indicate that the Buzzer Pendant is in Pairing Mode.

Notice: Make sure the Buzzer Pendant is fully charged

4.2 Put your mobile phone in pairing mode

Follow the operating instructions for your *Bluetooth* mobile phone to start the pairing process. Typically, this has to be done by going to a setup or connect menu and then selecting the options to discover *Bluetooth* devices. *Bluetooth* may take several seconds to establish a connection.

Your phone's display should indicate that it has found the "CS8057" and asks if you want to pair it. You should confirm this. The phone's display would prompt you for a passkey or PIN. Enter a sequence of "0000".

4.3 Pair the Buzzer Pendant with your *Bluetooth* mobile phone

The Buzzer Pendant LED will flash Green every 3 seconds, indicating successful pairing. Usually the phone will also ask whether you want to change the Buzzer Pendant's name. We recommend you should approve the "CS8057" name and not change it. You can pair as many Buzzer Pendant and devices as you wish in your mobile phone.

Notice: If pairing does not occur as expected, Turn off the Buzzer Pendant and phone and wait for 10 seconds. Then, turn on the Buzzer Pendant and phone again. Then repeat all steps from beginning.

5. Establishing *Bluetooth* Link

After Pairing, the mobile phone will show "connect", then please select "YES" to establish the link. Now you are ready to make and answer calls on the Buzzer Pendant.

Notice: For other phones, please follow their operation manuals to establish the link.

(3)

6. Clip the Buzzer Pendant onto your clothes



Fig. 3

7. Answering Incoming Calls

When an incoming call is present, you will hear the ring. Pressing S1 will answer the call. The green LED will continue to flash fast once every second while the call is in session.

--Turning on the buzzer

If you want to get a buzzer alert when calls are coming, you can turn on the Buzzer On/Off Switch at the back of the Buzzer Pendant. A long beep followed by a short beep will indicate an incoming call.

--Turning off the buzzer

If you don't want to get a buzzer alert when calls are coming, just turn off the Buzzer On/Off Switch.

Notice: If the Buzzer is on, then both of your Buzzer and ear piece will ring; If the Buzzer is off, only your ear piece will ring.

8. Transferring Calls

When you are in session, calls can be transferred from the *Bluetooth* phone to the Buzzer Pendant and vice versa.

8.1 From *Bluetooth* phone to the Buzzer Pendant

Press S1 once, the call will be transferred to the Buzzer Pendant.

8.2 From the Buzzer Pendant to the *Bluetooth* phone

Please follow the operating instructions of your phone.

9. Muting the microphone

9.1 To mute the microphone during an active call

Pressing both S2 and S3 buttons simultaneously for about a second, the microphone will be muted. A periodic beep tone will be heard while the mute function is active.

(4)

