



Bluetooth® Hands-free Car Kit CS8112 (BT 77P)

User Manual



Table of Content

I.	Profile and Its Function.....	1
I-1	Profile.....	1
I-2	Function.....	2
II.	How to Use	3
II-1	Charge the Batteries.....	3
II-2	Turn on the Hands-free Car Kit.....	3
II-3	Pair the Hands-free Car Kit with Your Bluetooth Mobile Phone.....	4
II-4	Establish Bluetooth Link.....	5
II-5	Clip the Hands-free Car Kit under Your Sun Visor	5
II-6	Answer an Incoming Call.....	6
II-7	Transfer Calls between This Hands-free Car Kit and Your Bluetooth Phone.....	6
II-8	Make a New Call by Using Voice Dialing	6
II-9	Answer the call waiting.....	7
II-10	Mute the Microphone.....	7
II-11	End a Call.....	7
II-12	Reject a Call.....	7
II-13	Redial Last Dialed Number.....	7
II-14	Adjust the Speaker Volume.....	8
II-15	Recharge the Low Batteries.....	8
II-16	Turn off the Hands-free Car Kit.....	8
II-17	VoIP with USB Dongle.....	9
II-18	Auto connection to the Bluetooth Mobile Phone.....	10
II-19	Auto power off.....	10
III.	Maintenance and Safe Use	10
IV.	Electrical Power Specification of Car Charger / AC Power Adaptor for BT 77P.....	10
V.	Package Contents	11
	FCC Interference statement	12

I. Profile and Its Function

I-1 Profile (Fig.1)

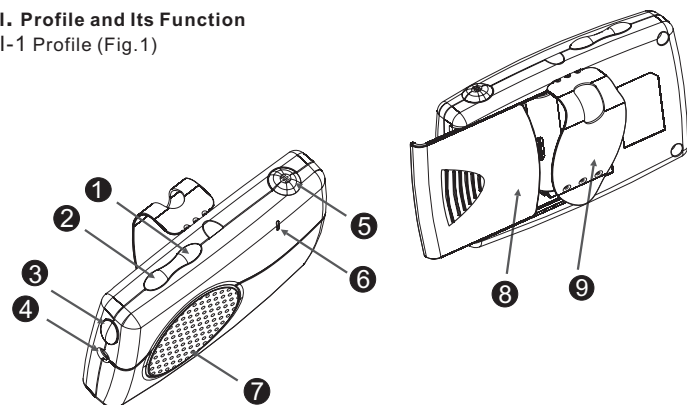


Fig. 1

- 1. Volume Down
- 2. Volume Up
- 3. On/Off
- 4. DC Socket
- 5. Microphone

- 6. LED
- 7. Speaker
- 8. Battery Door
- 9. Visor Clip

I-2 Function (please refer to Fig.1)

I-2-1 On/Off

If you press "On/Off", you can:

- ⊙ Switch on and Off
- ⊙ Pair
- ⊙ Answer a new call
- ⊙ Reject a call
- ⊙ Make a new call using voice dialing

I-2-2 Volume Up

- ⊙ Increase the speaker volume
- ⊙ To mute/un-mute the microphone

I-2-3 Volume Down

- ⊙ Redial the last dialed number
- ⊙ Decrease the speaker volume
- ⊙ Answer call waiting

I-2-4 LED

There are two LED colors (blue and red) to indicate the state of this Car-Kit.

I-2-5 DC Socket

It serves as a recharging power socket for rechargeable batteries or supplies the power to the Car Kit when the car charger is connected to your car.

I-2-6 Built-in Microphone

It allows you and your friend at far end to communicate with quality voice.

I-2-7 Speaker

I-2-8 Battery Door

Loading and unloading rechargeable batteries by opening the battery Door.

I-2-9 Visor Clip

Clip the hands-free Car Kit under your car's sun visor.

II. How to Use

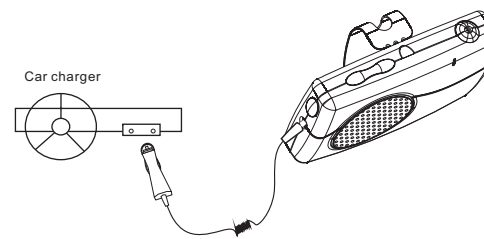


Fig. 2

II-1 Charge the Batteries (please refer to Fig. 2)

Thank you for buying the BT 77P, Bluetooth Hands-free Car Kit. Before you use for the first time, please charge the batteries for 6 hours. After the first time, you can fully charge your low batteries in 4 hours. **Warning: Use only rechargeable batteries.**

II-2 Turn on the Hands-free Car Kit

If the Hands-free Car Kit is powered off, press and hold "On/Off" for 2 seconds. A long tone will indicate that the hands-free Car Kit has turned on. At the same time, blue LED will flash for a second. And then, blue LED will keep on flashing every 3 seconds.

II-3 Pair the Hands-free Car Kit with Your Bluetooth Mobile Phone

II-3-1 Put the hands-free Car Kit in pairing mode

When the hands-free Car Kit is powered off, press and hold "On/Off" for 5 seconds. In the first 2 seconds, a long tone will indicate that the hands-free Car Kit has turned on. At the same time, blue LED will flash for a second. At the end of 5 seconds, a double tone will be heard. Then the red and blue LEDs will flash alternatively, which indicates the hands-free Car Kit has entered into the pairing mode.

Note: Make Sure the batteries are fully charged.

II-3-2 Put your Bluetooth Mobile Phone in pairing mode

II-3-2-1 Follow the operation manual of your Bluetooth mobile phone to start the pairing process. Typically, this has to be done by going to a setup or connect menu and then selecting the options to discover Bluetooth devices. Bluetooth may take several seconds to establish a connection.

II-3-2-2 Your phone's display will indicate that it has found the new device "BT 77P". When you want to pair it, the phone's display would demand a passkey or PIN, then you can enter a sequence of "0000".

II-3-3 Pair the hands-free Car Kit with your Bluetooth Mobile Phone

The blue LED of hands-free Car Kit will flash every 3 seconds indicating successful pairing. The phone may also ask whether you want to change the Car Kit's name. We recommend you should approve the name of "BT 77P" and do not change it.

Note: Make sure if pairing does not occur as expected, turn off the hands-free Car Kit and your phone, then wait for 10 seconds. Turn on them again and repeat from Step 3-1 to Step 3-3.

II-4 Establish Bluetooth Link

After pairing, the mobile phone should have "connect" menu. Please select it to establish the link. A beep tone will indicate that the Car Kit is connected. Now you are ready to make and answer calls on the hands-free Car Kit.

Note: For other phones, please follow their operation manuals to establish the link!

II-5 Clip the Hands-free Car Kit onto Your Sun Visor (Please refer to Fig. 3)

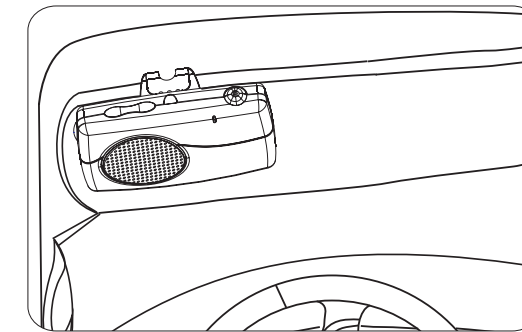


Fig. 3

II-6 Answer an Incoming Call

When an incoming call is present, the hands-free Car Kit will ring. Press "On/Off" and you can answer the call. The blue LED will continue to flash once a second while the call is in session.

II-7 Transfer Calls between This Hands-free Car Kit and Your Bluetooth Phone

When you are in session, calls can be transferred from your Bluetooth phone to the hands-free Car Kit and vice versa.

V-7-1 From Bluetooth phone to the Car Kit

Press "On/Off" once, the call will be transferred to the Car Kit.

V-7-2 From Car Kit to the Bluetooth Phone

Please follow the operation manual of your phone.

II-8 Make a New Call by Using Voice Dialing

II-8-1 When using a Bluetooth Mobile Phone:

II-8-1-1 Press "On/Off" on the hands-free Car Kit shortly when the Car Kit is standby.

Note: Make sure that the voice dialing function is properly set up in the mobile phone and it is within the range of the hands-free Car Kit.

II-8-1-2 Put through the call

After the beep tone on the hands-free Car Kit, you can make a voice dial by saying the name of the person on the hands-free Car Kit. The call will be connected in a few seconds.

II-8-2 When using a mobile phone without Bluetooth built-in and requiring a Bluetooth dongle:

II-8-2-1 Press "On/Off" on the hands-free Car Kit shortly when the Car Kit is standby.

Note: Make sure that the voice dialing function is properly set up in the Mobile phone and it is within the range of the hands-free Car Kit.

II-8-2-2 Put through the call

After the beep tone on the hands-free Car Kit, you can make a voice dial and the call will be connected in a few seconds.

II-9 Answer the call waiting

During the active call in session if another call is coming, press "Volume Down" for 2 seconds will make the mobile phone switch to the waiting call and place the active call on hold. Press "Volume Down" for 2 seconds again, mobile phone will come back to the first active call.

II-10 Mute the Microphone

II-10-1 To mute a call

Press "Volume Up" for 2 seconds and a beep tone will indicate the microphone is muted. A periodic reminder tone will be heard while the mute function is active.

II-10-2 To un-mute a call

When the microphone is muted, press "Volume Up" for 2 seconds. Then the mute is released and the periodic reminder tone will stop.

II-11 End a Call

While a call is in session on the hands-free Car Kit, press "On/Off" and you will disconnect the call. A long tone will indicate that the call has ended. After the call is disconnected, the blue LED will flash normally.

II-12 Reject a Call

When the hands-free Car Kit is ringing, press "On/Off" for 2 seconds. Ringing will stop and a long tone will indicate that the call is rejected.

II-13 Redial Last Dialed Number

To redial the last dialed number, press "Volume Down" for 2 seconds when the Car Kit is standby. A beep tone will indicate an attempt to redial.

II-14 Adjust the Speaker Volume

While a call is in session, pressing and releasing "Volume Up" will increase the speaker volume, and pressing and releasing "Volume Down" will decrease the speaker volume. A double tone will be heard whenever the volume limit is reached.

II-15 Recharge the Low Batteries (please refer to Fig.2)

The LED of this Car Kit will flash red instead of blue when the battery are low. There will also be a tone every 2 minutes. Please connect the charger cable to the Car Kit.

II-15-1 During recharging

The LED shows a steady red light if the Car Kit is off, and the red light will dim once every 3 second while the Car Kit is on.

II-15-2 Fully charged

A steady blue LED represents the Car Kit is off and fully charged. And a blue LED dims once every 3 seconds while the Car Kit is on and fully charged.

Note: When the battery level is too low, the hands-free Car Kit will automatically power off. It cannot be powered on again unless the batteries are sufficiently charged.

II-16 Turn off the Hands-free Car Kit

When the hands-free Car Kit is on, press and hold "On/Off" for 5 seconds. A long tone will indicate that the Car Kit starts to power off. LED continues to flash for a few seconds. At last LED will turn off and the Car Kit is powered off.

8

II-17 VoIP with USB Dongle



USB Bluetooth dongle

Plug a USB Bluetooth Dongle into your computer, follow the pairing and connecting procedure to link up your Car Kit. Once it is properly set up using the VoIP function, you can use the Car Kit as a speaker phone to enjoy wireless telephone conversation with your friends. Your Car Kit can be used in car, or conveniently be used as a speaker conferencing unit in the office or at home any time.

9

II-18 Auto connection to the Bluetooth Mobile Phone

The Car Kit has already been paired with a Bluetooth mobile phone. If it is turned off and turned on again, it will search for available Bluetooth link. If the previously paired mobile phone's Bluetooth feature is on, the Car Kit and the mobile phone will re-establish the Bluetooth link automatically.

II-19 Auto power off

In order to save power, the Car Kit will turn off automatically after it is disconnected from the Bluetooth link for an hour.

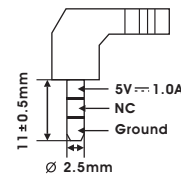
III. Maintenance and Safe Use

- ⊙ Use dry cloth to clean hands-free Car Kit!
- ⊙ Recycle the batteries after their life time!
- ⊙ Do not expose the Car Kit to liquid or moisture!
- ⊙ Do not expose the Car Kit to fire or open flames!

IV. Electrical Power Specification of Car Charger / AC Power Adaptor for BT 77P

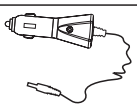

The electrical power specification of car charger / AC adaptor for BT 77P Bluetooth Car Kit is as follows:

Output: 5V---1.0A
Output pin configuration:



10

V. Package Contents

	Accessories	Status
	1 x Car Charger	Provided
	3 x AA Rechargeable Batteries	Provided

Warning: Use only rechargeable batteries.

Disclaimer:

Talk time and stand-by time of the Bluetooth Car Kit will vary depending on mobile phone model being used.

Note:

BQB, CE and FCC approved

The Bluetooth word mark and logos are owned by the Bluetooth SIG, Inc. and any use of such marks by In-Tech Electronics Ltd. is under license. Other trademarks and trade names are those of their respective owners.

Bluetooth functions and operations may not be available or may vary depending on different mobile phones.

11

Federal Communication Commission Interference Statement

This equipment has been tested and found to comply with the limits for a Class B digital device, pursuant to Part 15 of the FCC Rules. These limits are designed to provide reasonable protection against harmful interference in a residential installation. This equipment generates, uses and can radiate radio frequency energy and, if not installed and used in accordance with the instructions, may cause harmful interference to radio communications. However, there is no guarantee that interference will not occur in a particular installation. If this equipment does cause harmful interference to radio or television reception, which can be determined by turning the equipment off and on, the user is encouraged to try to correct the interference by one of the following measures:

- Reorient or relocate the receiving antenna.
- Increase the separation between the equipment and receiver.
- Connect the equipment into an outlet on a circuit different from that to which the receiver is connected.
- Consult the dealer or an experienced radio/TV technician for help.

This device complies with Part 15 of the FCC Rules. Operation is subject to the following two conditions: (1) This device may not cause harmful interference, and (2) this device must accept any interference received, including interference that may cause undesired operation.

FCC Caution: Any changes or modifications not expressly approved by the party responsible for compliance could void the user's authority to operate this equipment.

12

IMPORTANT NOTE:

FCC Radiation Exposure Statement:

This equipment complies with FCC radiation exposure limits set forth for an uncontrolled environment. This equipment should be installed and operated with minimum distance 20cm between the radiator & your body.

This transmitter must not be co-located or operating in conjunction with any other antenna or transmitter.

13