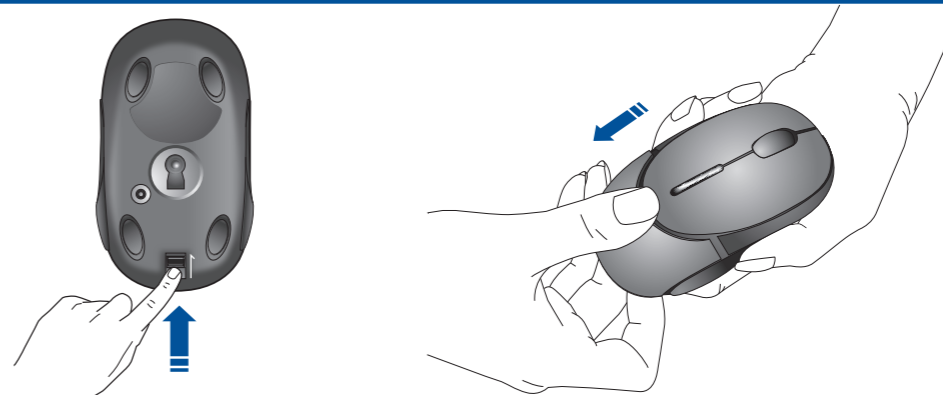


User's Guide

Wireless  
Mobile Optical Mouse  
1000DPI

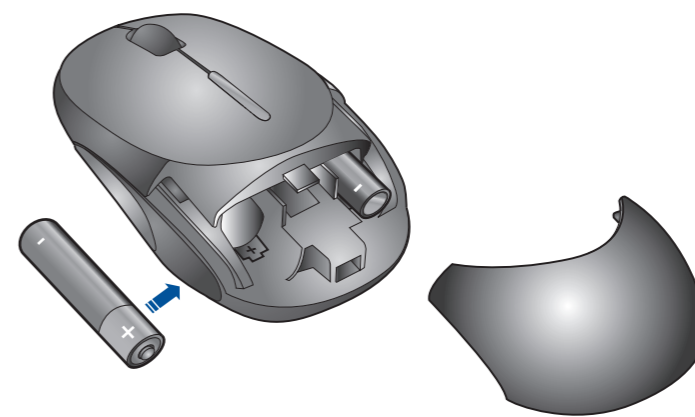


1



**English** At the bottom of the mouse, follow the direction of the arrow to push gently, at the same time, to pull out the battery cover in opposite direction, to pull out the battery cover.

2



**English** Follow the arrow where how to put the batteries in the right direction.

7

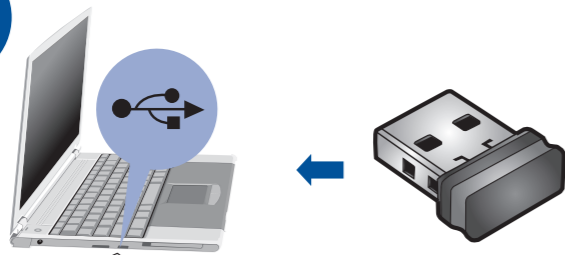
**Approvals**

This device complies with part 15 of the FCC rules. Operation is subject to the following two conditions: (1) this device may not cause harmful interference, and (2) this device must accept any interference received, including interference that may cause undesired operation.

**FCC NOTE**

The manufacture is not responsible for any radio or TV interference caused by unauthorized modifications to this equipment. Such modifications could void the user's authority to operate the equipment.

3



ON

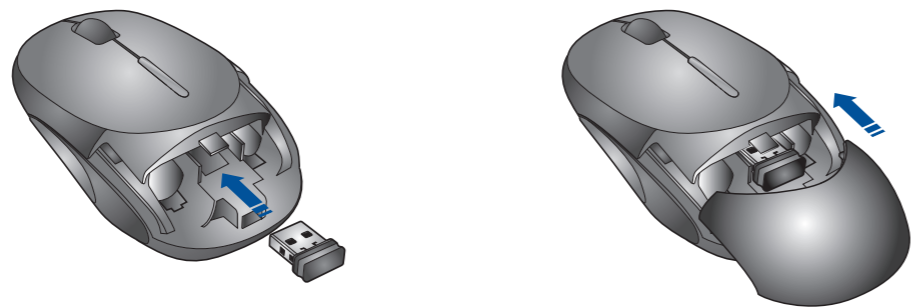
**English** Insert nano wireless receiver into the computer's USB port, turn on the computer power supply, mouse will working normally.

5

**English** When not using the mouse, press the power button on the bottom of mouse for 3-5 seconds to shut down the mouse power for battery power saving. Then press the power button again to re-start the mouse power.



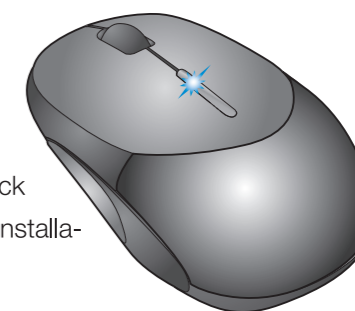
4



**English** To readily carry the mouse: (a) Open the battery case. (b) Insert nano wireless receiver inside the compartment by the direction of the arrow. (c) Close the battery case back.

6

**English** If the mouse LED is blinking blue, please replace the batteries. **If the mouse is not working:** 1. Make sure the mouse power is on (turn-on / working). 2. Check the battery capacity and installation. 3. Check receiver installation. 4. Try another USB port.



**English** **Battery Warning** Remove batteries when not using your cordless device for long period of time. If the cursor on your screen does not move or moves erratically when you move your mouse. Please change batteries, and exercise care when handling batteries.