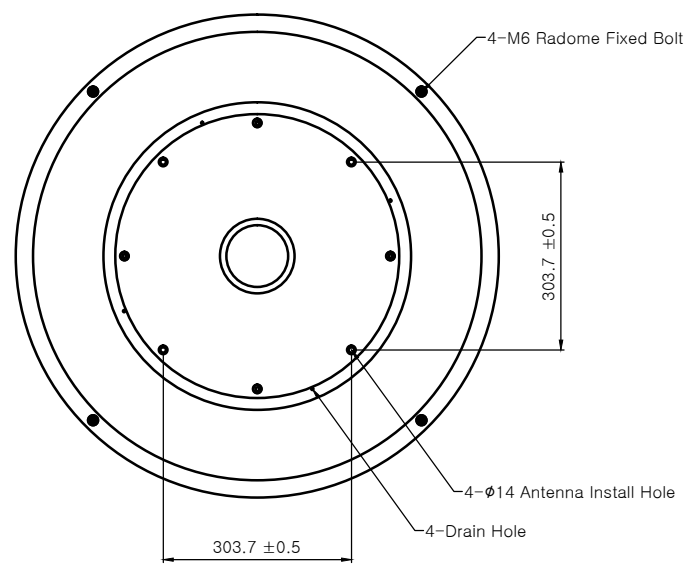
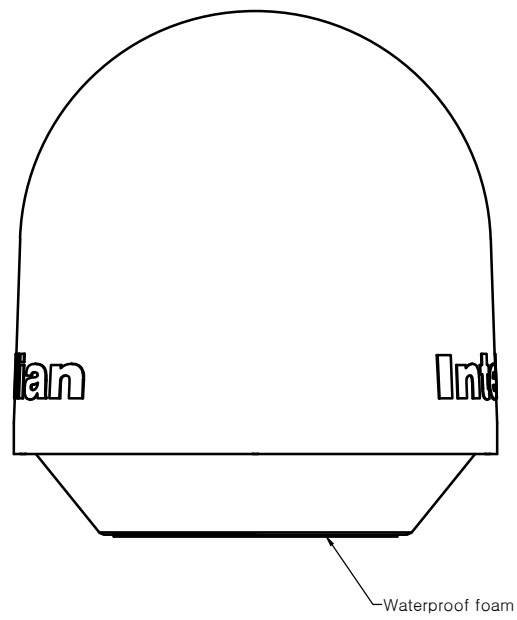
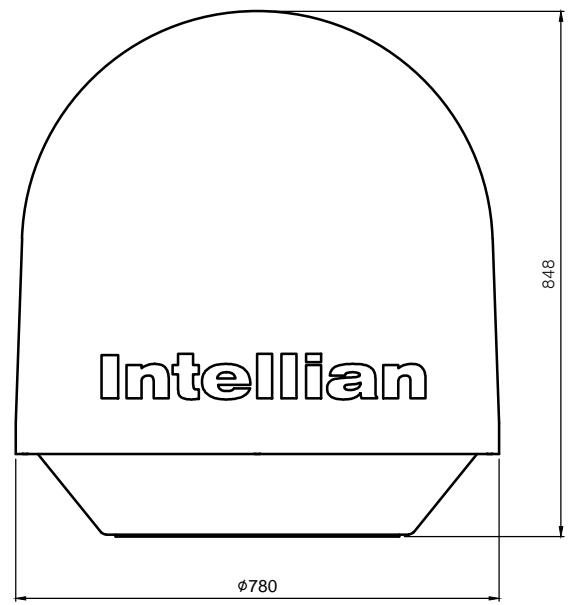


1 2 3 4 5 6

N/d

| REVISIONS | | |
|-----------|-------------|------|
| MARK | DESCRIPTION | DATE |
| △ | | |



| | | | | | |
|-------------------------------|----------------------------|---------|-----------|------|--|
| Intellian Technologies | | | | | |
| Communicate Smarter | | | | | |
| APPROVAL | Title | Version | | | |
| M.S.Son | Outline_v60/v60G Dimension | - | | | |
| CHECK | P/N | SIZE | SCALE | UNIT | |
| Y.S.Cho | - | A4 | 1/1 | mm | |
| DRAWING | DATE | Sheet | DWG NO | | |
| M.S.Park | 2011.03 | 1 of 1 | RM06RK-01 | | |

1 2 3 4 5 6