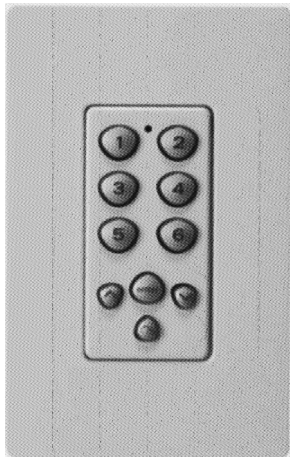


Model CA5000

Multi-Scene Wall Controller



Specifications:

Wireless RF Control

Operating Temperature Range:
32°F (0°C) to 104°F (40°C)

Power Consumption: 2.0W Max

Ratings:

120VAC, 50/60Hz

Colors:

Includes white, ivory, and light almond snap-on face plates.

Connections:

Black-Line, White-Neutral,
Green-Ground

RF Information:

Minimum Range:

50ft indoor; 100ft outdoor

Frequency: 908.42 MHz

Network Information:

Mesh Network - Each line powered node acts as a repeater to route distant signals.

Data Rate: 9600 bits/second

Size: 232 Z-Wave™ Nodes

The CA5000 Multi-Scene Wall Controller is an enhanced radio frequency controller compatible with Z-wave™ enabled networks and devices. Each line powered node in a Z-wave network is designed to act as a repeater forming a mesh network eliminating radio “dead spots” and providing the highest level of reliability.

Features

- Multiple location On/Off & Raise/Lower control when used with Z-wave enabled devices.
- Allows control of up to 6 individual pre-set scenes containing any number of Z-wave enabled devices.
- Features individual scene status feedback for enhanced control.
- Separate focus and control buttons allow the user to custom mix scene selections and vary light levels.
- Home key provides for quick de-selection of scenes.

WARNING: Read instructions completely before installation and retain for future reference.

WARNING: For installation and/or use in accordance with appropriate electrical codes and regulations.

WARNING: Consult a qualified electrician for installation and operation.

OTHER CAUTIONS:

1. For remote operation of Z-Wave compatible controls.
2. Use this device only with copper or copper clad wire.

Note: *Designed to work only in the presence of InTouch™ Server (CA5500B or other).*

INSTALLATION:

1. WARNING: TO AVOID FIRE, SHOCK, OR DEATH, TURN OFF POWER AT CIRCUIT BREAKER AND TEST THAT POWER IS OFF BEFORE WIRING.

2. Refer to wiring diagrams for proper connection of multi-scene wall controller.

3. Check that all wire connections are secure.

4. Place all wires inside junction box. Install multi-scene wall controller using (2) mounting screws furnished. Complete installation with a decorator style wall-plate.

5. Reconnect your electrical power.

6. **Operation:** Press scene number button(s) to focus control activities; Press “Enter” to toggle selected scene(s); Press Δ / ∇ to raise or lower selected scene(s) level; Press the home key to clear selected scene(s).

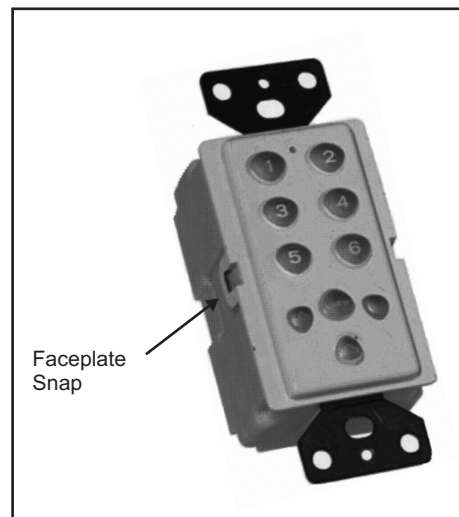
7. For programming instructions refer to the *InTouch Installer & Users Guide (158CA12789)*.

Faceplate Color Conversion

The faceplate color of this device can be converted to match interior design requirements. Simply use one of the included color plates (white, ivory, or light almond) and proceed as follows (please note that the device must be removed from the junction box to change the faceplate, follow the installation instructions and warnings).

1. Select the color of the faceplate you desire.
2. The faceplate has snaps on its sides. Using a small screwdriver or thumbnail, gently remove the face plate from the housing body.
3. Take the new faceplate and position it properly to the housing body. Notice that the locking snaps will align in only the proper direction. Line up the plastic snaps with the slots in the housing body and snap into place.
4. The faceplate snaps in with an audible click. Ensure that both snaps are secure. Replace the device in the junction box following installation instructions.

The color conversion is complete.



FCC STATEMENT OF COMPLIANCE

This device complies with part 15 of the FCC rules. Operation of this device is subject to the following two conditions:

- (1) This device may not cause harmful interference, and
- (2) This device must accept any interference, including interference that may cause undesired operation.

NOTE: This equipment has been tested and found to comply with the limits for a Class B digital device, pursuant to Part 15 of the FCC Rules. These limits are designed to provide reasonable protection against harmful interference in a residential installation. This equipment generates, uses and can radiate radio frequency energy and, if not installed and used in accordance with the instructions, may cause harmful interference to radio communications. However, there is no guarantee that interference will not occur in a particular installation. If this equipment does cause harmful interference to radio or television reception, which can be determined by turning the equipment off and on, the user is encouraged to try to correct the interference by one or more of the following measures:

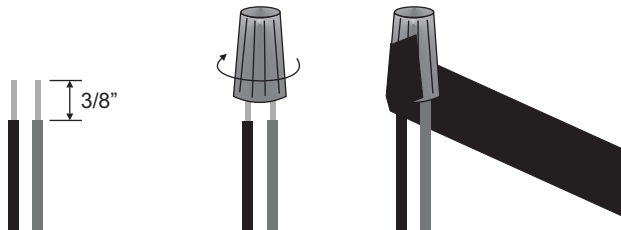
- Reorient or relocate the receiving antenna or device.
- Increase the separation between the equipment and receiver.
- Connect the equipment into an outlet on a circuit different from that to which the receiver is connected.
- Consult the dealer or an experienced radio/TV technician for help.

WARNING! Changes or modifications not expressly approved by Intermatic Inc. could void the user's authority to operate the equipment.

Wire Connector Installation

Connect wires as follows:

Screw wire connectors on clockwise making sure no bare conductors show below the wire connector.
Secure each connector with electrical tape.



Strip wires to expose 3/8" of conductors

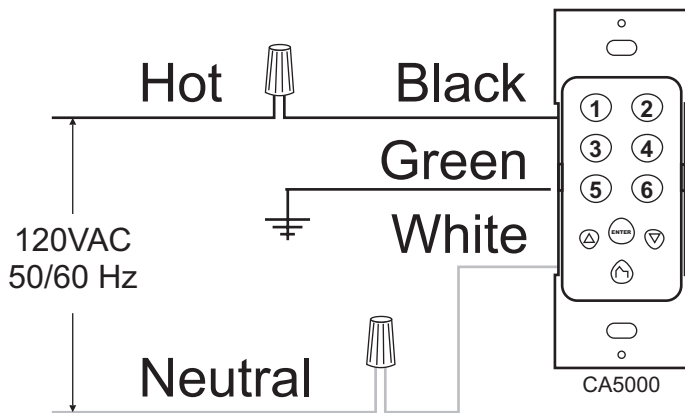
Insert wires straight then twist clockwise

Secure each connector with electrical tape

For non-standard wiring applications, refer to Wire Combination & Connector Chart

Orange Wire Connector Combination Chart			
1- #14 AWG	1- #16 AWG	2- #16 AWG	1- #18 AWG
+	+	+	+
1 #14 AWG or 1 #16 AWG or 1-2 #18 AWG	1 #16 AWG or 1-2 #18 AWG	1 to 2 #18 AWG	1 to 3 #18 AWG

Standard Installation

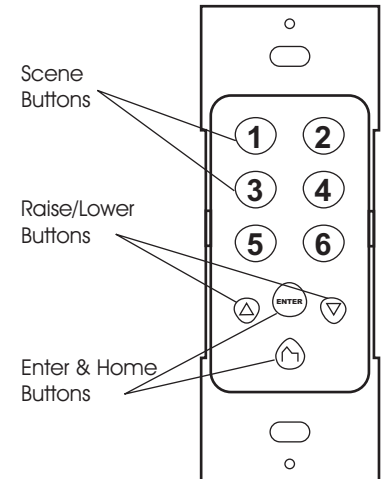


Wire Connector



Ground

CA5000 Multi Scene Control



LIMITED TEN YEAR WARRANTY

If within ten (10) years from date of purchase, this product fails due to a defect in material or workmanship, Intermatic Incorporated will repair or replace, at its sole option. This warranty applies only to the original purchaser and is not transferable. This warranty excludes and this is disclaimed liability for labor for removal of this product or reinstallation. The warranty does not apply to: (a) damage caused by accident, abuse, mishandling, dropping, acts of God, or any negligent use; (b) units which have been subject to unauthorized repair, opened, taken apart, or otherwise modified; (c) units not used in accordance with directions; (d) damages exceeding the cost of the product. Some states do not allow a limitation of damages, so the foregoing limitation may not apply to you. This warranty gives you specific legal rights and you may have other rights that vary from state to state. **INTERMATIC INCORPORATED WILL NOT BE LIABLE FOR INCIDENTAL OR CONSEQUENTIAL DAMAGES. THIS WARRANTY IS IN LIEU OF ALL OTHER EXPRESS OR IMPLIED WARRANTIES. ALL IMPLIED WARRANTIES, INCLUDING THE WARRANTY OF MERCHANTABILITY AND THE WARRANTY OF FITNESS FOR A PARTICULAR PURPOSE, ARE HEREBY MODIFIED TO EXIST ONLY AS CONTAINED IN THIS LIMITED WARRANTY, AND SHALL BE OF THE SAME DURATION AS THE WARRANTY PERIOD STATED ABOVE.**

This warranty service is available by either (a) returning the product to the dealer from whom the unit was purchased, or (b) mailing postage prepaid to the nearest authorized service center listed. Please be sure to wrap the product securely when mailing to avoid shipping damage. This warranty is made by: Intermatic Incorporated, After Sales Service, 7777 Winn Road, Spring Grove, IL 60081-9698, 815-675-7000 www.intermatic.com