

CK3R | CK3X

Mobile Computer

CK3X-NI



User's Manual

Intermec Technologies Corporation

Worldwide Headquarters

6001 36th Ave.W.

Everett, WA 98203

U.S.A.

www.intermec.com

The information contained herein is provided solely for the purpose of allowing customers to operate and service Intermec-manufactured equipment and is not to be released, reproduced, or used for any other purpose without written permission of Intermec Technologies Corporation.

Information and specifications contained in this document are subject to change without prior notice and do not represent a commitment on the part of Intermec Technologies Corporation.

© 2012 by Intermec Technologies Corporation. All rights reserved.

The word Intermec, the Intermec logo, Norand, ArciTech, Beverage Routebook, CrossBar, dcBrowser, Duratherm, EasyADC, EasyCoder, EasySet, Fingerprint, i-gistics, INCA (under license), Intellitag, Intellitag Gen2, JANUS, LabelShop, MobileLAN, Picolink, Ready-to-Work, RoutePower, Sabre, ScanPlus, ShopScan, Smart Mobile Computing, SmartSystems, TE 2000, Trakker Antares, and Vista Powered are either trademarks or registered trademarks of Intermec Technologies Corporation.

There are U.S. and foreign patents as well as U.S. and foreign patents pending.

Wi-Fi is a registered certification mark of the Wi-Fi Alliance.

Microsoft, Windows, and the Windows logo are registered trademarks of Microsoft Corporation in the United States and/or other countries.

Bluetooth is a trademark of Bluetooth SIG, Inc., U.S.A.

This product includes software developed by the OpenSSL Project for use in the OpenSSL Toolkit (www.openssl.org).

This product includes cryptographic software written by Eric Young (EAY@cryptsoft.com).

This product uses Regex++, Index software during its operational phases. The owner of Regex++ has granted use of the software to anyone provided such use is accompanied by the following copyright and permission notice:

Regex++, Index. (Version 3.31, 16th Dec 2001)

Copyright © 1998-2001 Dr John Maddock

Permission to use, copy, modify, distribute and sell this software and its documentation for any purpose is hereby granted without fee, provided that the above copyright notice appear in all copies and that both that copyright notice and this permission notice appear in supporting documentation. Dr John Maddock makes no representations about the suitability of this software for any purpose. It is provided "as is" without express or implied warranty.

iTalkie is a trademark of TABLETmedia, Inc.

Before You Begin

This section provides you with safety information, technical support information, and sources for additional product information.

Safety Information

Your safety is extremely important. Read and follow all warnings and cautions in this document before handling and operating Intermec equipment. You can be seriously injured, and equipment and data can be damaged if you do not follow the safety warnings and cautions.

This section explains how to identify and understand warnings, cautions, and notes that are in this document.



Warning

A warning alerts you of an operating procedure, practice, condition, or statement that must be strictly observed to avoid death or serious injury to the persons working on the equipment.



Caution

A caution alerts you to an operating procedure, practice, condition, or statement that must be strictly observed to prevent equipment damage or destruction, or corruption or loss of data.



Note: Notes either provide extra information about a topic or contain special instructions for handling a particular condition or set of circumstances.

Global Services and Support

Warranty Information

To understand the warranty for your Intermec product, visit the Intermec web site at www.intermec.com and click **Support** > **Returns and Repairs** > **Warranty**.

Disclaimer of warranties: The sample code included in this document is presented for reference only. The code does not necessarily represent complete, tested programs. The code is provided “as is with all faults.” All warranties are expressly disclaimed, including the implied warranties of merchantability and fitness for a particular purpose.

Web Support

Visit the Intermec web site at www.intermec.com to download our current manuals (in PDF).

Visit the Intermec technical knowledge base (Knowledge Central) at www.intermec.com and click **Support > Knowledge Central** to review technical information or to request technical support for your Intermec product.

Telephone Support

In the U.S.A. and Canada, call **1-800-755-5505**.

Outside the U.S.A. and Canada, contact your local Intermec representative. To search for your local representative, from the Intermec web site, click **About Us > Contact Us**.

Who Should Read This Manual

This manual is for the person who is responsible for installing, configuring, and maintaining the CK3 Mobile Computer. In this manual, CK3 refers to models CK3R, CK3X, and CK3X-NI, unless specifically stated otherwise.

This manual provides you with information about the features of the CK3, including how to install, configure, operate, maintain, and troubleshoot it.

Before you work with the CK3, you should be familiar with your network and general networking terms, such as IP address.

Related Documents

The Intermec web site at www.intermec.com contains our documents (as PDF files) that you can download for free.

To download documents

- 1 Visit the Intermec web site at www.intermec.com.
- 2 Click the **Products** tab.
- 3 Using the **Products** menu, navigate to your product page. For example, to find the CK3 computer product page, click **Computers > Handheld Computers > CK3**.
- 4 Click the **Manuals** tab.

If your product does not have its own product page, click **Support > Manuals**. Use the **Product Category** field, the **Product Family** field, and the **Product** field to help you locate the documentation for your product.

Patent Information

Product is covered by one or more of the following patents:

4953113; 4961043; 4970379; 4988852; 5019699; 5021642; 5038024; 5081343; 5095197; 5144119; 5144121; 5182441; 5187355; 5187356; 5195183; 5216233; 5216550; 5218191; 5227614; 5233172; 5241488; 5243602; 5258606; 5278487; 5288985; 5308966; 5322991; 5331136; 5331580; 5342210; 5349678; 5359185; 5371858; 5373458; 5389770; 5397885; 5410141; 5414251; 5416463; 5442167; 5464972; 5468947; 5468950; 5477044; 5486689; 5488575; 5500516; 5502297; 5504367; 5508599; 5514858; 5530619; 5534684; 5536924; 5539191; 5541419; 5548108; 5550362; 5550364; 5565669; 5567925; 5568645; 5572007; 5576529; 5592512; 5594230; 5598007; 5608578; 5616909; 5619027; 5627360; 5640001; 5657317; 5659431; 5671436; 5672860; 5684290; 5719678; 5729003; 5742041; 5761219; 5764798; 5777308; 5777309; 5777310; 5786583; 5793604; 5798509; 5798513; 5804805; 5805807; 5811776; 5811777; 5818027; 5821523; 5828052; 5831819; 5834749; 5834753; 5837987; 5841121; 5842070; 5844222; 5854478; 5862267; 5869840; 5873070; 5877486; 5878395; 5883492; 5883493; 5886338; 5889386; 5892971; 5895906; 5898162; 5902987; 5902988; 5912452; 5923022; 5936224; 5949056; 5969321; 5969326; 5969328; 5979768; 5986435; 5987192; 5987499; 5992750; 6003775; 6012640; 6016960; 6018597; 6024289; 6034379; 6036093; 6039252; 6064763; 6075340; 6095422; 6097839; 6102289; 6102295; 6109528; 6119941; 6128414; 6138915; 6149061; 6149063; 6152370; 6155490; 6158661; 6164542; 6164545; 6173893; 6195053; 6234393; 6234395; 6244512; 6249008; 6328214; 6330975; 6345765; 6356949; 6367699; 6375075; 6375076; 6375344; 6431451; 6435411; 6484944; 6488209; 6497368; 6532152; 6538413; 6539422; 6621942; 6641046; 6681994; 6687403; 6688523; 6732930; 6859190; 6889903; 6967280; 7027037; 7035466; 7090137; 7121467.

Docking station or device: 5052943; 5195183; 5317691; 5331580; 5544010; 5644471.

There may be other U.S. and foreign patents pending.

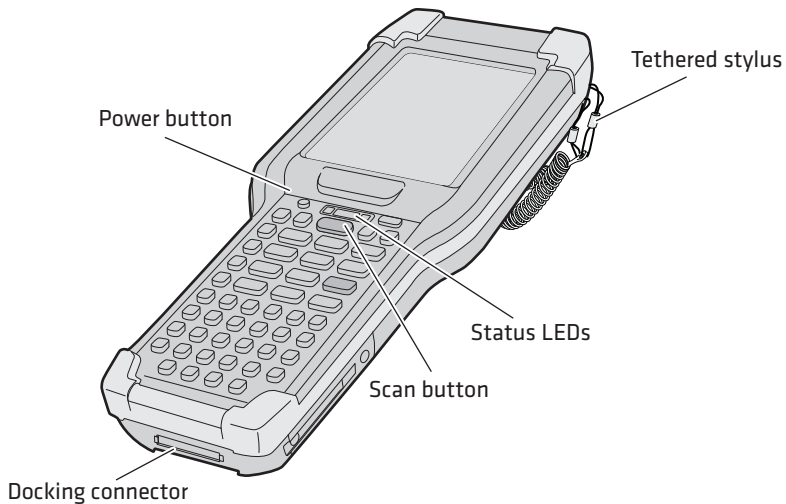
1

Using the Computer

This chapter introduces the CK3 Mobile Computer with Windows[®] Mobile Embedded Handheld 6.5.

Introducing the CK3 Mobile Computer

The Intermec CK3 Mobile Computer is an ergonomically designed mobile computer built on the Microsoft® Windows® Embedded Handheld 6.5 operating system. The CK3 is lightweight, easy-to-use, and runs most software developed for the Windows Mobile platform, including standalone, client-server, and browser-based applications. In this manual, CK3 refers to models CK3R, CK3X, and CK3X-NI, unless specifically stated otherwise.



CK3 Mobile Computer



The CK3R Mobile Computer with a DHIB 802.11b/g/n radio installed is Wi-Fi® certified for interoperability with other 802.11b/g/n wireless LAN devices.



The CK3X Mobile Computer with a DDIB 802.11a/b/g/n radio installed is Wi-Fi® certified for interoperability with other 802.11a/b/g/n wireless LAN devices.

The CK3 is available with the following features:

- 802.11b/g/n (CK3R) or 802.11a/b/g/n (CK3X) and Bluetooth® radio, standard



Note: The radio also supports the 802.11d standard. The 802.11d standard adds the requirements and definitions for 802.11 WLAN equipment to operate in markets not served by the current standard. For 802.11d support, you need to order the 802.11d version of the CK3. For help, contact your local Intermec representative.

- 256 MB DDR SDRAM
- 512 MB Flash (CK3R), 1GB Flash (CK3X)
- Alphanumeric or numeric keypad

Using the Battery

The CK3 supports the use of these batteries as its main power source: AB17, AB18, 1001AB01, or 1001AB02. The standard battery has a 7.4 Watt hour capacity, and the extended battery has a 18.8 Watt hour capacity. Several factors determine the life of your battery, such as extreme temperatures, input devices, and your usage.

You must fully charge the battery before you can use the CK3. When you change the battery, an internal super capacitor maintains your status, memory, and real-time clock for approximately 10 minutes.



The battery used in this device may present a fire or chemical burn hazard if it is mistreated. Do not disassemble it, heat it above 100°C (212°F) or incinerate it. Dispose of used batteries promptly. Keep away from children.



If you fail to replace the low battery immediately, you may lose important data or applications.



Note: If the CK3 is not using external power and you remove the battery pack, the CK3 goes into Suspend mode.

For replacement batteries, contact your Intermec representative.

Charging the Battery

Make sure you fully charge the AB17, AB18, 1001AB01, or 1001AB02 battery before you use your CK3. You can charge the battery before or after you install it in the CK3. A fully discharged battery charges in approximately 4 (AB17, 1001AB01, 1001AB02) to 7 (AB18) hours.

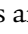

To charge the battery

- Insert the AB17 or AB18 battery into the battery bay of the AD20 single dock, or insert up to four batteries into the AC20 quad battery charger.
- Or,
- Insert the AB17, AB18, 1001AB01, or 1001AB02 battery into the UMD quad bases model 1002UU04 or 1002UU05 with adapter cups.

Removing and Installing the Battery

To maximize the time allowed to replace the main battery pack, put the CK3 in suspend mode before removing the battery pack.






To remove and install the battery

- 1** Press and hold  for about 2 seconds. When you release , the CK3 goes into suspend mode.
- 2** If necessary, disconnect the handstrap from the bottom of the CK3.
- 3** Press the battery release tab toward the battery until the battery releases, and then lift it away from the CK3.
- 4** Insert the battery into the CK3, and press down on the battery until it clicks into place.

Checking the Battery Status

The easiest way to check the status of your battery is to look at the battery icon on the status bar of your CK3.

Battery Icon Status

Icon	Status
	Battery is fully charged.
	Battery has a medium charge. You should be able to work for several more hours before changing batteries.
	Battery is low. You need to replace the battery soon.
	Battery is critically low. You need to replace the battery now.
	Battery is charging.

The Battery Status LED below your CK3 display indicates the charging status of your battery.

Understanding the Battery Status LED

LED State	Description
Steady green when the CK3 is connected to external power	The battery is more than 95% charged.
Blinking red	The battery is low. CK3 goes into Suspend mode. Charge or replace the battery.
Steady red when the CK3 is connected to external power	The battery is charging.
Steady red when the CK3 is not connected to external power	The software is not working properly.
Steady amber	The battery is missing or is unable to charge because the temperature is outside of the charging range.
Off	The CK3 is not on external power and the battery is operating normally.

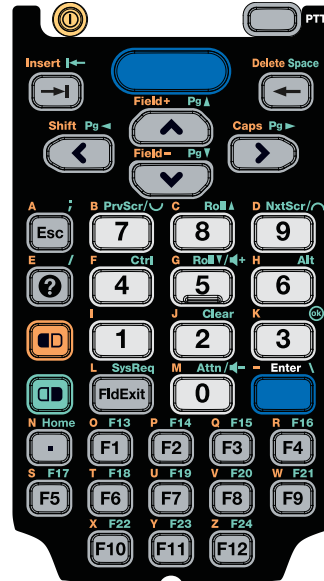
Using the Keypad

Use the following sections to understand how to use the keypad. For information on remapping the keypad, you can download the Device IDL Resource Kit from the Intermecc web site at www.intermec.com/idl.

The CK3 comes with an alphanumeric keypad or a numeric keypad.



CK3 Alphanumeric Keypad



CK3 Numeric Keypad

The full alphabetic keypad is designed for applications that require primary input of alphabetic data. This keypad also provides special characters, numbers, symbols, and functions by pressing color-coded key sequences.

The numeric keypad is for applications that require mainly numeric data. This keypad also lets you enter special characters, including the alphabet, by pressing color-coded key sequences.

Using the Power Button

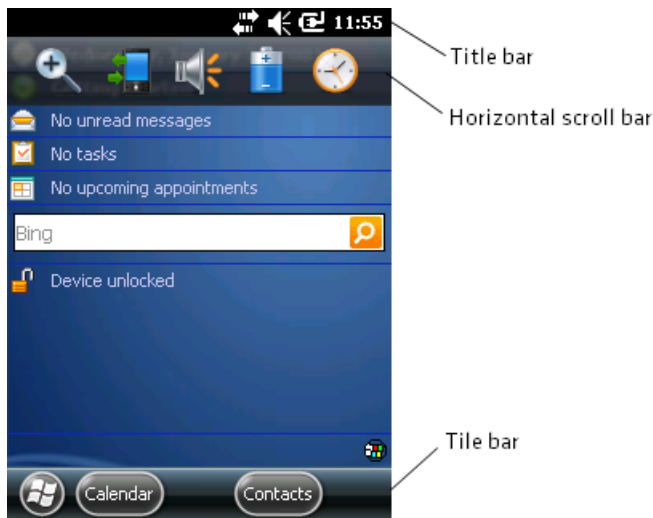
When you press the **Power** button (⏻), you put the CK3 into suspend mode. In this lower power mode, the CK3 continues to supply power to all memory, but turns off power to most hardware such as the display. This power-saving feature is designed to prolong battery life.

When you press ⏻ to turn the CK3 back on, your computer resumes at the screen that was displayed when you turned it off. If you are using WPA or 802.1x security, the CK3 may need to reauthenticate before it resumes your application.

If the battery light flashes and your CK3 does not resume after pressing ⏻, your battery may be too low to supply power. Replace the battery.




Using the Touch Screen

When you turn on the mobile computer, the Home screen is the first screen that appears. The Windows Embedded Handheld 6.5 Home screen has three navigation bars: the Title bar, the horizontal scroll bar, and the Tile bar.



Windows Embedded Handheld 6.5 Home Screen







To turn the screen backlight on and off

- For the alphanumeric keypad, press  .
- For the numeric keypad, press .

Understanding the Screen Icons

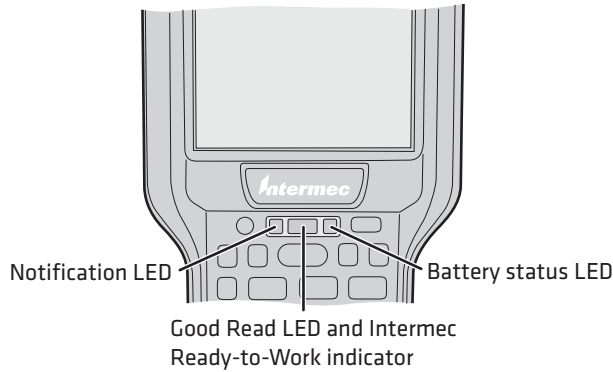
Use the screen icons on the navigation bar and the command bar to see the network connection status and other system information. For information about the battery icons, see [“Checking the Battery Status” on page 5](#). Some standard Microsoft icons are included in this table.

Screen Icons

Icon	Description
	The volume is turned off. To turn the volume back on, tap this icon and choose your setting.
	The computer is connected to the network.
	The computer is not connected to the network.
	The 802.11 radio is connected to the wireless network.
	The computer is connected through the USB port to your desktop PC.
	The iConnect application icon. Tap it to set up Ethernet or Wireless settings.

Understanding the Status LEDs

The CK3 has three status LEDs.



Location of the Status LEDs

The next table describes the Notification LED, Good Read LED, and Intermec Ready-to-Work™ indicator. .

Understanding the Status LEDs

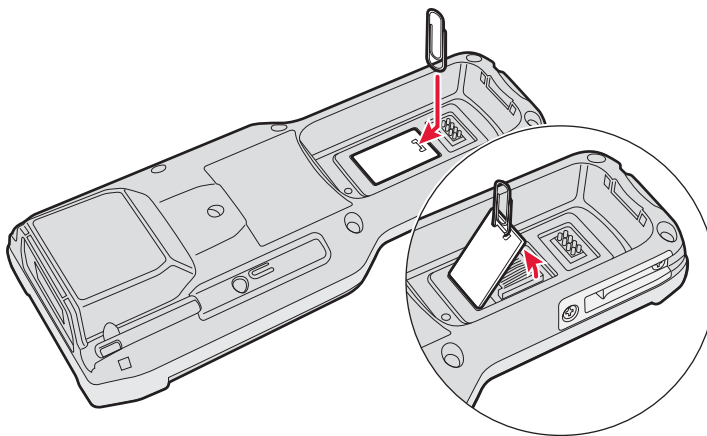
LED	Color	Description
Notification	Orange	The CK3 is notifying you of a pending alarm or message.
Good Read	Green	The CK3 has successfully decoded a bar code.
Intermec Ready-to-Work indicator	Blue	The CK3 is suspending or resuming with the display turned off.
	Blinking blue	You have successfully loaded and activated Intermec Terminal Emulator. Or the Intermec Terminal Emulator application is loaded, but is inactive.
	Off	The Intermec Terminal Emulator application is missing or disabled.

Using a microSD Card

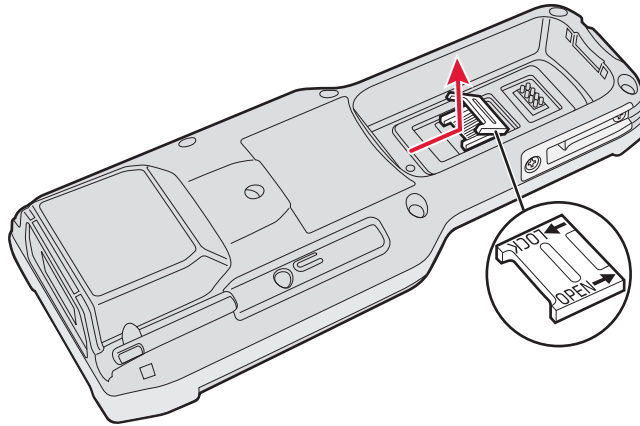
You can use a micro Secure Digital (SD) card to increase file storage and install software. Your CK3 supports microSD™ cards that hold up to 2 GB of information. The microSD card slot is located in the battery compartment.

To install a microSD card

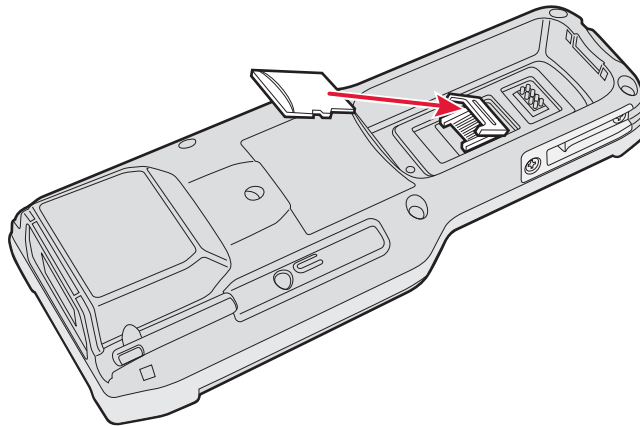
- 1 Remove the battery. For help, see “[Removing and Installing the Battery](#)” on page 4.
- 2 Use a paper clip or slotted screwdriver to remove the cover.



- 3** Slide the microSD card cover toward the OPEN position and lift the cover.



- 4** Insert the microSD card.

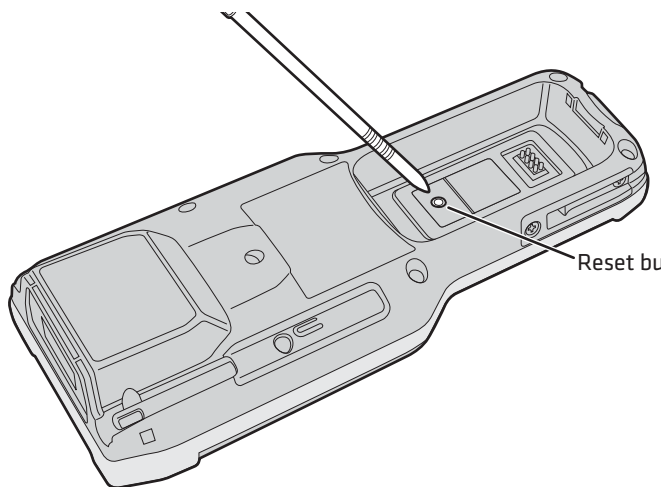



- 5** Close the microSD card cover, and slide the cover toward the LOCK position.
- 6** Replace the cover.

- 7 Use the stylus to press the reset button in the battery compartment of the CK3.



Do not use force or a sharp object when pressing the reset button. You may damage the reset button.



- 8 Install the battery.
- 9 Press  to turn on the CK3:
 - You should be able to navigate to the SDMMC Disk folder and see the contents of the microSD card.
 - If the microSD card is bootable, your CK3 boots from the card.
 - If the microSD card contains operating system upgrade files, the upgrade process automatically starts.

A

Specifications

Physical and Environmental Specifications

Physical Dimensions

Length:	21.69 cm (8.54 in)
Width (at widest part):	8.36 cm (3.29 in)
Height (at tallest part):	4.67 cm (1.84 in)

Power and Electrical Specifications

Operating:	Rechargeable lithium-ion battery
Backup:	Supercap supplies 10 minutes of bridge time while replacing the main battery
Electrical rating:	⎓ 4,4 V, 2A; ⎓ 4,7 V, 1,5A

Temperature and Humidity Specifications

Operating temperature:	-10°C to 50°C (14°F to 122°F)
Storage temperature:	-30°C to 70°C (-22°F to 158°F)
Charging temperature:	0°C to 45°C (32°F to 113°F)
Relative humidity (operating):	0 to 95% non-condensing
Environmental rating:	IP54

Screen Specifications

- 240 RGB x 320 pixels
- Parallel QVGA display
- LCD capable of both portrait and landscape operation

Keypad Options

- Alphanumeric and function keypad
- Numeric and function keypad

Accessories

You can use these accessories (sold and ordered separately) with the CK3. To order accessories, contact your local Intermec sales representative.

Battery (AB17, AB18, 1001AB01, 1001AB02)

The AB17 standard battery and AB18 extended battery provide main power to the CK3. You can also use 1001AB01 and 1001AB02 to power the CK3.

Quad Charger (AC20)

The AC20 quad charger charges up to four AB17 or AB18 batteries at one time.

Single Dock (AD20)

The AD20 single dock powers your CK3 Mobile Computer and charges a spare battery (AB17 or AB18 only) separately. The single dock also provides a two-wire serial debug port and client and host USB connectivity.

Ethernet Multidock (AD21)

The AD21 Ethernet multidock provides Ethernet connectivity and power to up to four CK3 computers at one time.

Charge-Only Multidock (AD22)

The AD22 charge-only multidock charges up to four CK3 computers at one time.

Vehicle Dock (AV10)

Use the AV10 vehicle dock to hold and charge your CK3 while you are using it on a vehicle.

Vehicle Battery Adapter (AE33)

Use the AE33 vehicle battery adapter to provide power to your CK3 from your vehicle. To use the vehicle battery adapter, you also need the AA23 power adapter.

RS-232 Adapter (AA21)

Use the RS-232 adapter to connect RS-232 devices to your CK3.

Power Adapter (AA23)

Use the power adapter to provide power to your CK3 from an external power supply.

Scan Handle

The scan handle provides you with an alternate way to hold the CK3 and scan bar code labels using a convenient scanning trigger.

Appendix A – Specifications

Vehicle Holder

Use the vehicle holder to store your CK3 when you are not using it.

Holster

The holster provides you with a convenient way to carry your CK3 when you are not using it.



Worldwide Headquarters
6001 36th Avenue West
Everett, Washington 98203
U.S.A.

tel 425.348.2600

fax 425.355.9551

www.intermec.com

© 2012 Intermec Technologies
Corporation. All rights reserved.

CK3R and CK3X Mobile Computer User's Manual



P/N 935-075-001