

Compliance Statement Insert

Device Name: Beltpack and Workbook Printers

Model Number: 6808, 6808 CR,
6808 Workboard, 6808 SCR Workboard,
PW40, PB40

The responsible party for the compliance of this device is:

Intermec Technologies Corporation
6001 36th Avenue West
Everett, WA 98203 USA
(425) 348-2600

This product conforms to the following approvals. The user(s) of this product are cautioned to use accessories and peripherals approved by Intermec Technologies Corporation. The use of accessories other than those recommended, or changes to this product that are not approved by Intermec Technologies Corporation, may void the compliance of this product and may result in the loss of the users authority to operate the equipment.

This device complies with Part 15 of the FCC Rules. Operation is subject to the following two conditions: (1) This device may not cause harmful interference, and (2) this device must accept any interference received, including interference that may cause undesired operation.

FCC Digital Emissions Compliance

This equipment has been tested and found to comply with the limits for a Class B digital device, pursuant to Part 15 of the FCC Rules. These limits are designed to provide reasonable protection against harmful interference in a residential installation. This equipment generates, uses and can radiate radio frequency energy and, if not installed and used in accordance with the instructions, may cause harmful interference to radio communications. However, there is no guarantee that interference will not occur in a particular installation. If this equipment does cause harmful interference to radio or television reception, which can be determined by turning the equipment off and on, the user is encouraged to try to correct the interference by one or more of the following measures:

- Reorient or relocate the radio of television receiving antenna.
- Increase the separation between the computer equipment and receiver.
- Connect the equipment into an outlet on a circuit different from that to which the radio or television receiver is connected.
- Consult the dealer or an experienced radio television technician for help.

Canadian Digital Apparatus Compliance

This Class B digital apparatus meets all requirements of the Canadian Interference-Causing Equipment Regulations.

Cet appareil numérique de la classe B respecte toutes les exigences du Règlement sur le matériel brouilleur du Canada.



DECLARATION OF CONFORMITY

(According to ISO/IEC Guide 22 and EN 45014)

PAGE ONE OF ONE

THE PRODUCT HEREWITH COMPLIES WITH THE REQUIREMENTS OF :

THE LOW-VOLTAGE DIRECTIVE 73/23/EEC.

THE EMC DIRECTIVE 89/336/EEC.

Manufacturer's Name:

Intermec Technologies Corporation
6001 36th Avenue West
Everett, WA 98203
USA

European Representative:

Intermec International Incorporated
Sovereign House, Vastern Road
Reading, Berkshire
RG1 8BT England

Declares that the product listed below:

Product Type: ITE/Residential, Commercial, and Light Industrial

Product Name: Beltpack and Workboard Printers

Model Number: 6808, 6808 CR, Options: All
6808 Workboard, 6808 SCR Workboard,
PW40, PB40

Beginning Serial Number: All

Date Issued: February 25, 2003

Conforms to the following product specifications:

Safety: IEC 60950 / EN 60950

EMC: EN 55022 : 1998 / CISPR Publication 22 : 1997, Class B Limits and Methods

EN 55024 : 1998 (CISPR 24) Information Technology Equipment – Immunity Characteristics –
Limits and Methods of Measurement

EN 61000-4-2 : 1995 – Electrostatic Discharge

EN 61000-4-3 : 1995 – Radiated RF Field

EN 61000-4-4 : 1995 – Electrical Fast Transients

EN 61000-4-5 : 1995 – Voltage Surge

EN 61000-4-6 : 1996 – Conducted RF Field

EN 61000-4-11 : 1994 – Voltage Dips, Short Interruptions, and Variations

EN61000-3-2 : 1995 + A1 : 1998 + A2 : 1998 – Harmonic Current Emissions

EN61000-3-3 : 1995 – Voltage Fluctuation and Flicker

I, the undersigned, hereby declare that the equipment specified above conforms to the above Directive(s) and Standard(s).

Company Official: Arvin Danielson

Position: Vice President

Signature: _____ **Signed Copy on File**

Date: February 25, 2003

European Contact: Intermec International Incorporated, Sovereign House, Vastern Road, Reading, Berkshire, RG1 8BT England; Phone INT+44 118 987 9400; Fax INT+44 118 987 9401





Intermec



Quick Start Guide



**PW40
4-Inch Workboard
Printer
Equipped with a
Bluetooth™
Qualified Module
by Socket
Communications**

Packing List

Check to ensure that you receive these items:

- Intermec® PW40A0B140 Printer (4-inch thermal workboard printer with Bluetooth* a qualified module by Socket Communications)
- One roll of paper (in printer)
- Battery Packs (installed)
- Compliance Statement
- Warranty Card

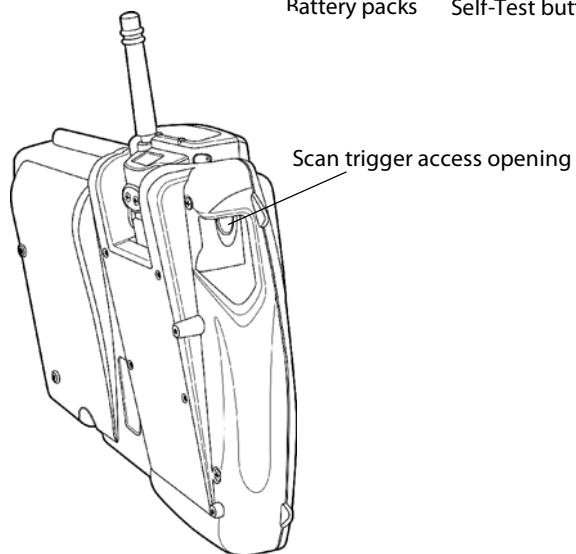
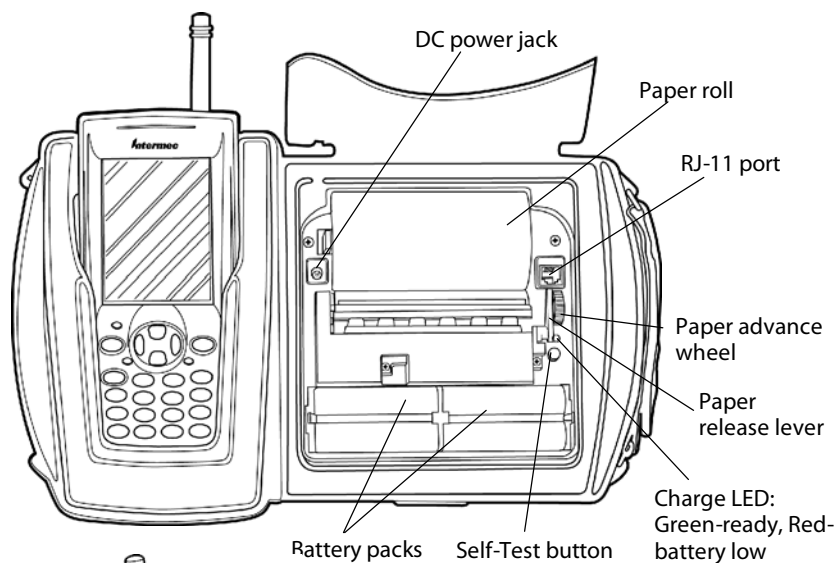
*Bluetooth is a trademark of Bluetooth SIG, Inc., U.S.A.

© 2003 by Intermec Technologies Corporation. All rights reserved.

Common Accessories List

Cable	Part Number
Data Cable (Hirose to RJ-45)	321-578-001
Power Adapters	Part Number
Cigarette Lighter Auto Adapter (5 Amp 12 Volt 6 inch coiled)	320-066-033
Charger for Workboard batteries ONLY	320-066-042
International Charger for Mobile Computer batteries ONLY	851-060-002
International Charger for Workboard and Mobile Computer	851-060-003
Supplies	Part Number
Replacement Li-Ion 7.2 volt 1.35 mAhr Battery	320-081-021
Thermal paper 130'/roll, 50/case	815-034-015
Cleaning Card	320-066-013

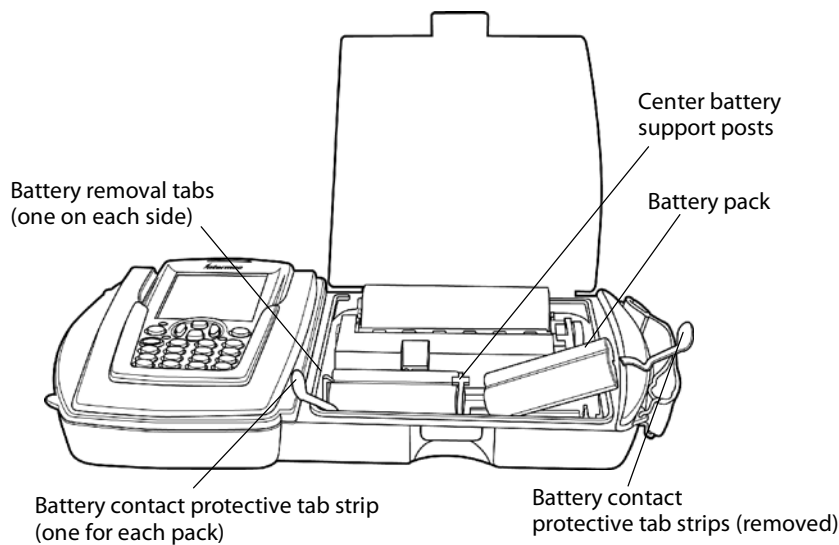
Getting Started



Before Using Your Printer For the First Time

Remove the protective tab strips underneath the batteries. They are placed there to keep your printer from discharging during shipment.

- 1 Push against the battery removal tabs and lift the battery up before pulling on the protective tab strips. These tabs prevent the battery contacts from touching and therefore, no charging occurs.
- 2 If your printer won't charge after removing the protective tabs, check for and remove any residue in the battery pin area.



Charging the Lithium Ion Batteries

- The printer battery charges in about three hours.
- Depending on the charger you are using, you can charge the mobile computer battery, workboard battery or both.

LED Battery Indicators

LED	State of Charge	Action
Solid Red	In Progress	Waiting for green LED
Green	Complete	Remove Charger
Slow Red Flashing	Low Temperature or battery is disconnected	Change environment or connect battery
Fast Red Flashing	High Temperature	Change environment
Slow Red and Orange Flashing	Low Voltage	Wait for solid red
Fast Red and Orange Flashing	High Voltage	Wait for solid red
Slow Orange Flashing	Timeout	Restart charge
Fast Orange Flashing	Internal Error	Remove battery to power down completely and reconnect. Or unplug from charging source, wait 15-20 seconds, and reconnect.

Beep Indicator

Number of Beeps	Indicates
One	Printer has come out of sleep mode
Two	Printer is out of paper
Three	Battery is low
One long beep	No program in printer, only boot code

Determining Current Battery Power

To determine the current charge on the battery pack, print out a self-test by pressing and holding the red self-test button for four seconds. If the battery is good, you will see the abbreviation for the word "GOOD" next to the Battery voltage print out.

This printer has a built in low battery detector. When the printer's battery voltage is low, the printer beeps three times, indicating a Low Battery Warning. This only happens if the printer is awake.

Paper Loading

Out of Paper

The PW40 Printer sounds two quick beeps when it runs out of paper. If the printer is out of paper, the printer suspends operation until paper is present and the lever is down. The printer continues to communicate with the mobile computer as long as it does not “time out.” Once the printer restarts, it finishes the rest of the print job from where it left off.

Removing Paper Core from your PW40 Printer

- 1 Unsnap the latch and lift up the cover.
- 2 Wrap your index finger around the empty paper core and pull up. The paper rod will snap out.
- 3 Remove the empty paper core and discard.

Paper Loading

Standard Paper

If you are using standard paper, you can load the paper automatically or manually. Experiment to find out which method is best for you.

Lined Labels

If you are using lined paper, it is best to use the manual paper loading method.

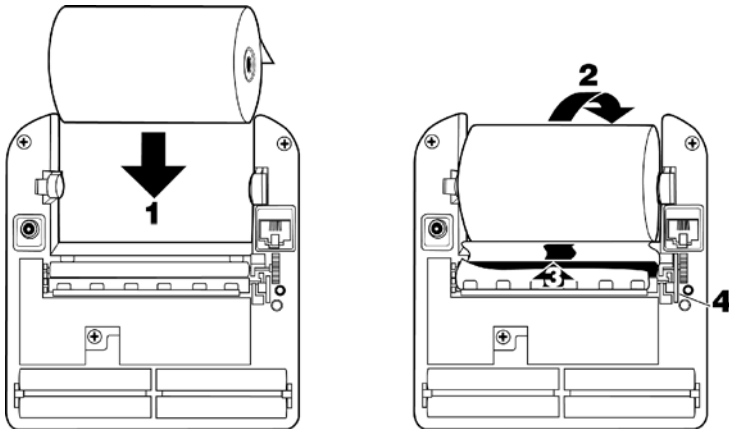
Automatic Paper Loading

- 1 Press the red self-test button to wake the printer.
- 2 With the loose, clean edge of the paper coming from the bottom of the roll, insert the edge of the paper between the roller and the platen.
- 3 Pushing the button again while the printer is awake causes the mechanism to feed about one inch of paper.
- 4 Insert the paper into the paper well with it resting on the paper rod clips.

Manual Paper Loading

- 1 Lift up the paper release lever. This takes the pressure off the platen. Make sure you have a clean edge on the new paper roll.

- 2 Take the edge of the paper and fold it 45 degrees.
- 3 Insert the tip of the paper between the roller and the platen.
- 4 Push on the paper until the tip is peeking out the other side.
(If it seems too tight to insert the tip, lift up the paper release lever and turn the gear to advance the paper).
- 5 Grab the tip and pull it through until the paper is straight.



- 6 Push down the paper release lever and insert the paper into the paper well with it resting in the paper rod clips.
- 7 Press the red button while the printer is on and it will feed paper. You will need about two inches of paper coming out of the mechanism.
- 8 Lower the cover while placing the extra paper through the tear bar.
- 9 Close Latch Cover and tear off extra paper.

Printer Self-Test

Push the red button and hold for about four seconds to print a self-test. Below is an explanation of the print-out.

Self-Test Print-out Explanation

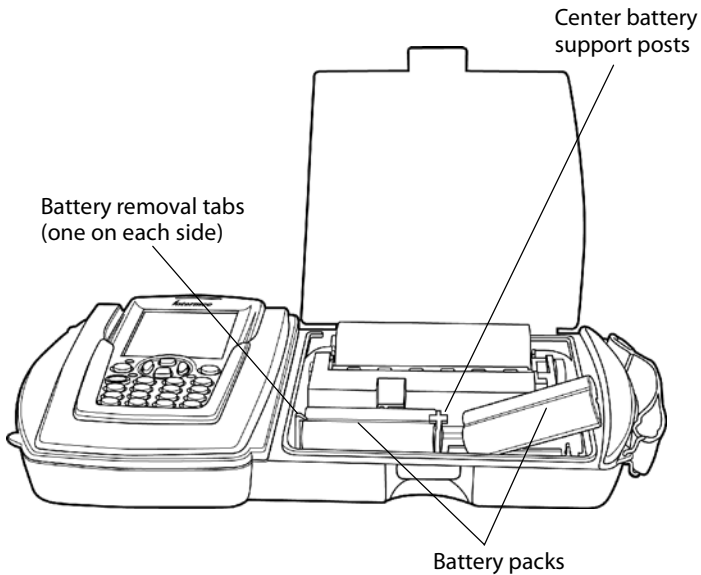
Test Item	Description
F/W Ver	The internal software version (4.26 for printer, 1.09 or greater for card reader)
Timeout	The seconds between printing and sleep mode.
Baud Rate	The speed at which the printer receives data.
Parity	Odd, Even, or None
Data Bits	Matches with computer sending data to printer.
Handshake	The way the printer handles flow control from host.
Burn Adj	Amount of heat used to print on the thermal paper.
Beeper	May be turned On or Off.
Batt Volt	Current voltage of the battery pack.
Batt Temp	Temperature of the battery.
Flash/RAM	1 Mb or 4 Mb Flash/1 Mb or 4 Mb RAM
Boot Version	Boot sector firmware.
Prnhd Temp	Temperature of print head (between 0 and 50 degrees).
Infrared	Toggles between On and Off
Device Name	Shows type of device (i.e. 4t)
Device Nickname	Shows user name for printer.
Available Fonts	“LOC” shows whether a font is Resident (R) or Downloaded (D). “CPI” shows characters per inch. “DESCRIPTION” describes the font. “NAMES” give the “Easy Print” name, the Line Printer name, and the hexadecimal equivalent of that name.
Available Graphics	“LOC” shows whether a font is Resident (R) or Downloaded (D). “CPI” shows characters per inch. “DESCRIPTION” describes the graphic. “NAMES” give the “Easy Print” name, the Line Printer name, and the hexadecimal equivalent of that name.

Self-Test Print-out Explanation (continued)

Test Item	Description
Available Bar Codes	All supported barcodes are displayed. "DESCRIPTION" describes the graphic. "NAMES" give the "Easy Print" name, the Line Printer name, and the hexadecimal equivalent of that name.
Card Reader Option	Shows the current Card Reader configuration (not available at this time).

Replacing the Battery

- 1 Open the cover and gently push the battery lock tabs away while lifting the battery up.
- 2 Insert the new battery by putting the non contact area of the battery in first towards the center.
- 3 Push down on the battery near the battery lock tabs.
- 4 Charge the new battery.



Using Your Printer

- 1 Put the mobile computer in the holder on the printer.
- 2 As you use the printer the power comes from the battery in the printer. When the printer battery runs down the printer will not operate until the battery is recharged.

PW40 Printer using Wireless Printing

Serial/Wireless Mode

The PW40 comes to you as a serial mode printer. To switch the mode to Wireless Printing it is necessary to toggle the mode via the self-test function of the printer.

Performing the self-test indicates the current mode of the printer. The mode displays on the ticket and an audible indication sounds. Each time the self-test function is performed the mode will toggle between wireless printing and serial modes.

Printer Self-Test

- 1 Press the **Paper Advance** (red) button for at least five seconds to run a Self-Test. Verify that the RF Module Power is On.
 - This means you will be holding it long enough to hear the beep and complete a paper advance.
 - The self-test indicates the current state of your printer. Verify the current mode by reading the Power status line from the printout.



Note: When shipping your printer via air freight, turn the wireless printing mode off and set to **serial** to disable the radio.

700 Mobile Computer Preparation

- 1 On your mobile computer, tap the **Bluetooth™** icon located in the System tray on the **Today** screen.
- 2 Select **Advanced Features → Bluetooth Devices**.
- 3 From the **Tools** menu, select **Device Discovery**. You are presented with a couple of screens detailing the device discovery process.
- 4 You are now presented with a screen allowing you to modify the selection parameters. The default should work for your needs.

- 5 Click **Next** to proceed. A search for Bluetooth devices is performed followed by a look-up of discovered device names. The progress bars indicate the inquiry status.
- 6 A list of discovered devices displays:
 - If your remote wireless printer is discovered and presented in the list, select the **appropriate check box** and click **Next**.
 - If your remote device is not displayed, ensure that the device and its radio are switched ON. Click **Next**, then select **Finish**.
- 7 A progress bar appears indicating Service Discovery is being performed.

If the discovery is successful a screen with *Successful discovery* displays. Click **Finish**. The remote device icon appears in the Bluetooth Devices Folder. Verify that the service for this device was discovered by looking at the properties (**Device** → **Properties**).

If the Services tab lists "Wireless Printer", the service was discovered correctly.

If it doesn't, select the **Update** button on the *Services* tab to try to rediscover the services available (sometimes it will take a couple tries to correctly discover the services).

- 8 Verify that your Wireless Printing device is set as your "favorite" COM device. In the **Bluetooth Devices Folder**, select **Tools** → **My Favorite**. In the Favorites screen, ensure your printer shows as **My Favorite COM Port Device**.

700 Color Mobile Computer applications access the wireless printing on COM6 port. 700 Monochrome Mobile Computer applications access wireless printing on COM7 port.



Note: Dropping your printer can cause a power interruption to your wireless printing operation. To ensure that your Wireless Printing is still active, print a self-test. If the radio is off, the self-test turns the radio On.

Maintenance and Troubleshooting

Cleaning the Interior

Dirt, adhesive, and residue collect on the print head of the printer and need to be removed. Clean your printer once a month if you use it frequently, or once every three months if used infrequently.

Cleaning the Exterior

When the outside of your portable printer needs cleaning, use a soft cloth and mild cleanser if necessary. Do not use abrasive cleanser, chemicals or scrubbing pads, as your printer's finish could become marked.

Troubleshooting

Paper Loading Problems

If the paper feed mechanism does not feed correctly on the first part of a new paper roll, remove two to three feet of paper from the outside of the roll. The length of paper rolls can vary by as much as five feet, making the roll too thick for the printer to accommodate.

If the printer is out of paper (or the paper release lever is in the up position) this condition interrupts a batch of receipts, and the printer suspends operation until the condition is fixed. The printer continues to communicate with the mobile computer as long as it does not "time out."

Once the printer is operational, the suspended print batch (if any) continues to print, ensuring that all receipts are properly printed.

Not Printing

- 1 Print a self-test. If the self-test will not print, check battery voltage by plugging the printer into a wall outlet using the AC adapter. Repeat the self-test, and check the Battery Voltage print out. Charge battery if necessary or replace.



Note: If the battery is depleted, it may take 5-10 minutes of charging before the printer can print a self-test.

- 2 Make sure the paper is properly installed (with lever closed).
- 3 Turn the print head knob to ensure that paper is not jammed.

- 4 Check cable connections. Make sure the modular connector is inserted and clipped in.
- 5 Check to see if your cable has been damaged by excessive pulling. A cable may also be damaged if it is bent at sharp angles.
- 6 Use only the recommended battery pack for the printer.
- 7 Printer will not print on wrong side of paper. Re-load if necessary.

Print Roller Appears Dirty

Clean Your Printer.

Liner'ed Labels

Liner'ed label printing can cause the print head to become sticky.

Print is too Light

If you are not getting satisfactory darkness, connect your printer to the personal computer containing your Configuration Program and click on the **Paper Options** button. Adjust the darkness setting to a higher percentage until the print is dark and crisp.

Charging Problems

Using an AC Adapter

If the printer does not respond when it is connected to an AC adapter, there could be a problem with the adapter or with the wall outlet.



Note: If the battery is depleted, it may take 5-10 minutes of charging before the printer can print a self test.

Using a Cigarette Lighter Adapter

If the printer does not respond when it is connected to a cigarette lighter adapter, it is possible that the fuse may be blown. To check, remove the cigarette lighter adapter from all power supplies and unscrew the cover over the pin. Pull out the fuse. If the elements in the fuse appear broken, replace the fuse.

Programming Problems

Refer to the *Intermec Portable Printers Technical Reference Manual* (p/n: 978-018-001) *Section 4* for more details OR call the Intermec Technical Support 1-800-755-5505 for assistance.

Specifications

Printer Specifications

Item	Spec Detail
Dimension	13.6 x 8.5 x 2.7 in. (34.54 x 21.6 x 6.9 cm)
Weight	3.15 lb (1428.82 g) printer 4.30 lb (1950.45 g) printer with mobile computer
Print Method	Direct Thermal
Paper Medium	Thermal paper
Paper Width	4.40 in. (112 mm)
Operating Temperature	+32° to +122°F (0° to +50°C)
Interface	RS-232C, ASK
Characters	Full IBM and international character sets
Protocol	Easy Print Protocol for Bar Codes, Stored Graphics, Rotated Fonts.
Power	1350 mAh Li Ion cell pack
Warranty	One year, includes print head. Extended warranty available.

Global Services and Support

To request technical support, on-site repair service, return your equipment for factory repair, arrange to have a site survey or product installation or check on service contract status, you may select one of the options:

Web Support

Visit our web site <http://www.intermec.com> to download many of our current manuals in PDF format, utilize our technical knowledge base '*Knowledge Central*' or to request technical support.

Technical Support

To request technical support on your Intermec product call 1-800-755-5505.

Product Warranty

We warrant that Intermec Technologies Corporation products will be free from defects in manufacturing materials and workmanship for one (1) year from date of shipment. This one year warranty applies to the PW40 Printer only. The warranty on the battery pack is 90 days from date of shipment.

Conditions of Warranty

- 1 Purchaser must obtain a Return Authorization (RA) number from the Intermec Service Center (1-800-755-5505) within the warranty period.
- 2 Purchaser will provide a written, detailed description of the defect.
- 3 The product must be promptly returned to the designated Intermec Service Center, freight prepaid by Purchaser.
- 4 Upon examination of the product, Intermec must agree that the defect exists and is covered by this warranty. Warranty repairs will be completed at the Service Center and returned to the Purchaser by prepaid surface freight.

The foregoing is a summary of the standard warranty, which shall be purchaser's sole remedy. Complete warranty details can be found in your purchase agreement or obtained from your local Intermec sales office.

In no event shall Intermec Technologies Corporation nor its suppliers be liable for any special, consequential, or incidental damages.



Corporate Headquarters
6001 36th Avenue West
Everett, Washington 98203
tel 425.348.2600
fax 425.355.9551
www.intermec.com

PW40A0B140 Printer Quick Start Guide-April, 2003



962018020B