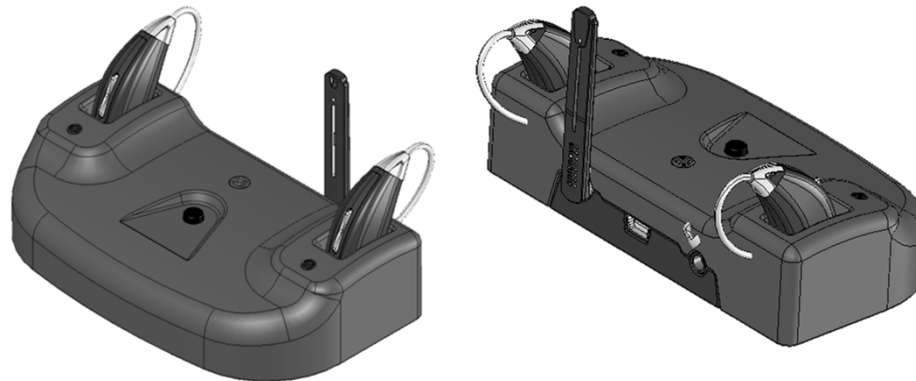


LUMEN 1000 PSAP & CHARGING TV STREAMER



Quick Start Guide

22602 Rev B

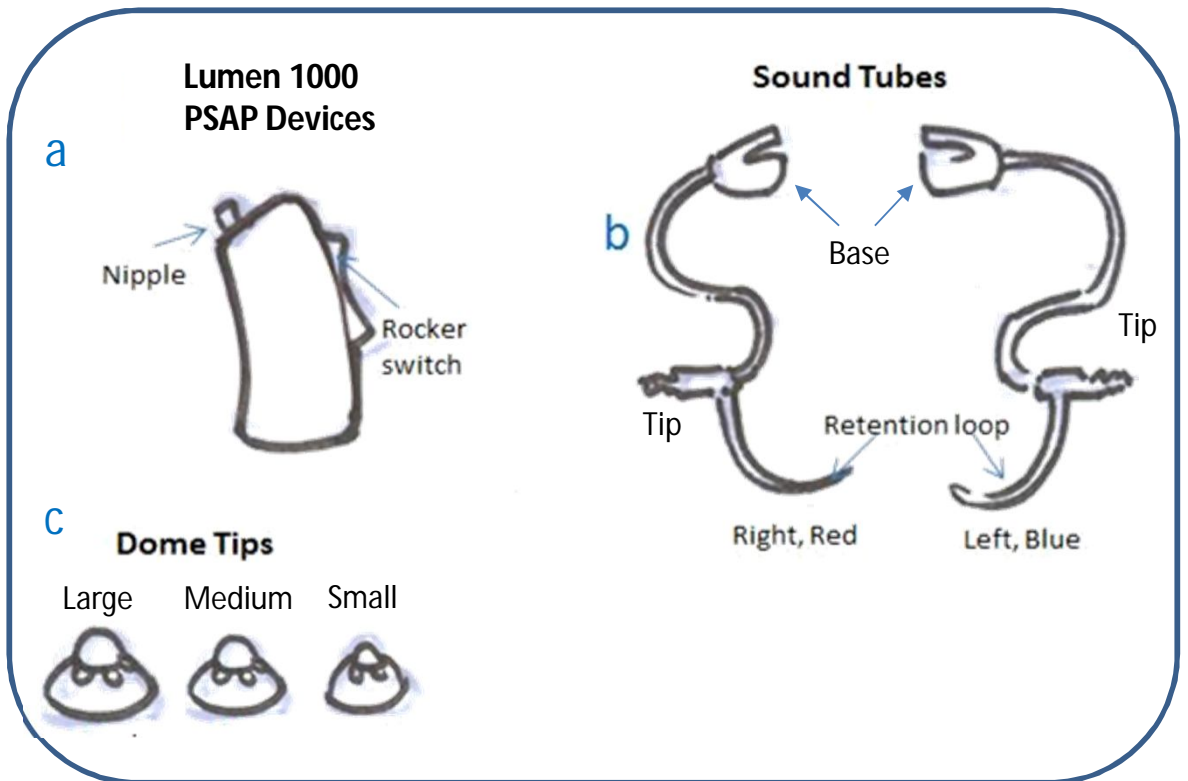
Table of Contents

Lumen 1000 PSAP Parts	3
Charging TV Streamer Parts	4
Charging TV Streamer Setup	4-7
Lumen 1000: Assembly and Charging	8
Lumen 1000: Positioning on the Ear	9
Charging TV Streamer : Device Commands	10
Lumen 1000: Rocker Switch Functions	11
Additional Information	12

Lumen 1000 PSAP Parts (Personal Sound Amplification Product)

Parts Included

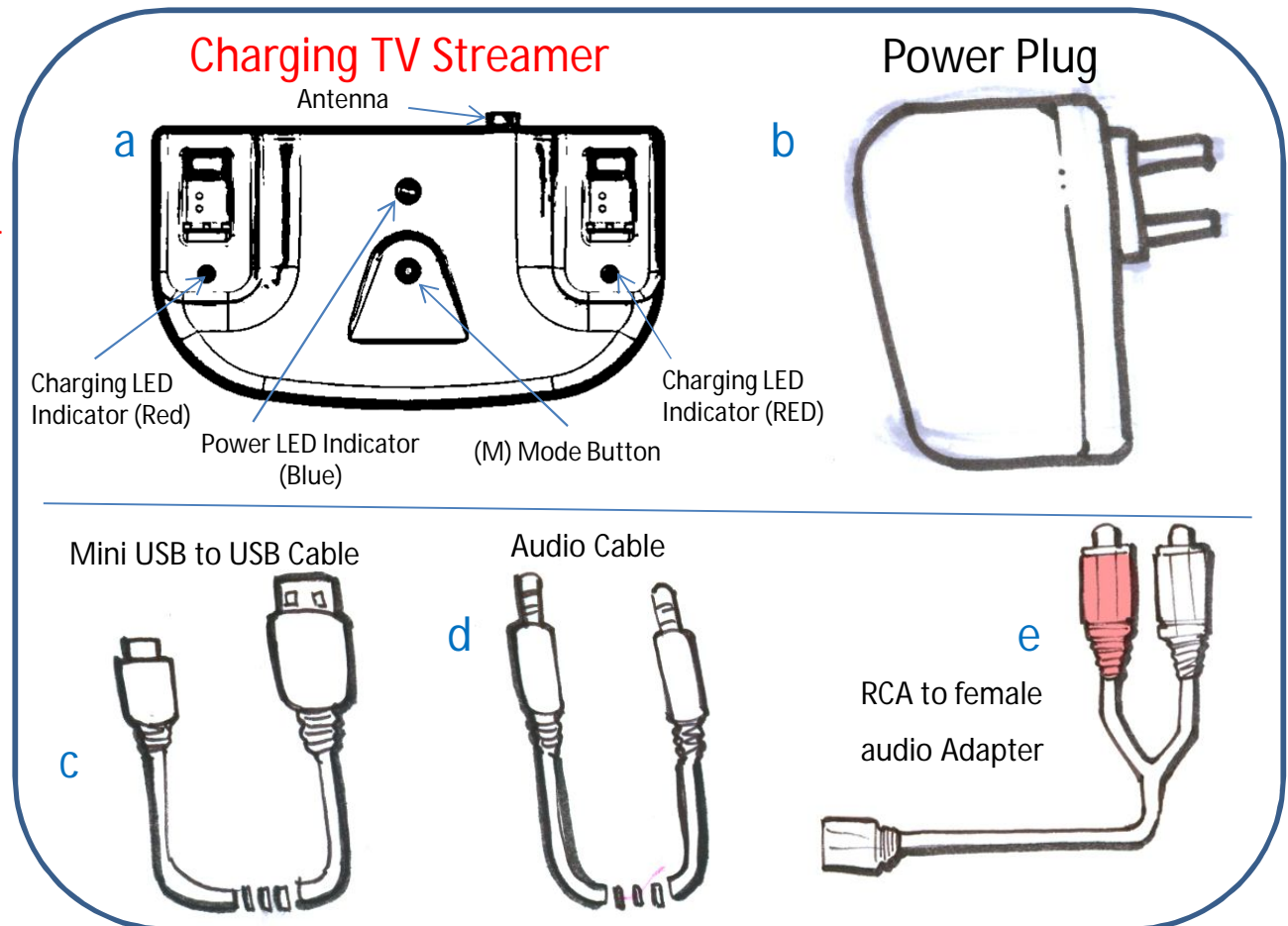
- a. 2 Lumen 1000 PSAP Devices
- b. 6 Sound Tubes (3 Left, 3 Right)
- c. 6 Dome Tips (2 Small, 2 Medium, 2 Large)



Charging TV Streamer Parts

Parts Included

- a. 1 Charging TV Streamer
- b. 1 Power Plug
- c. 1 Mini USB to USB Cable
- a. 1 Audio Cable
- b. 1 RCA to female audio Adapter

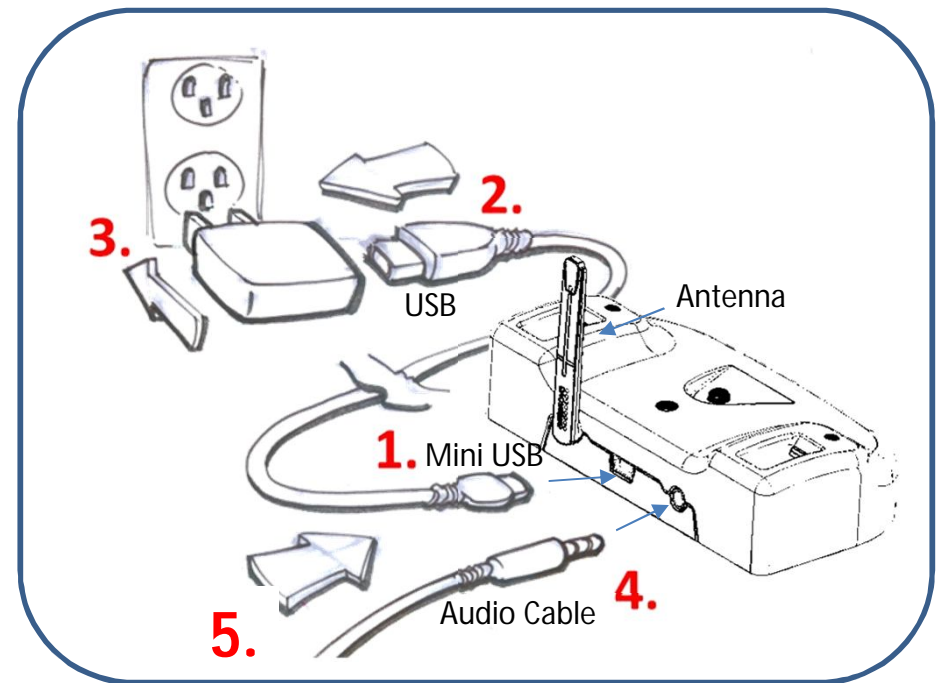


Charging TV Streamer : Set Up

Connecting Charging TV Streamer

1. Raise antenna to vertical position and insert Mini USB plug into the back of the Charging TV Streamer.
2. Attach the USB end of the cable to the Power Plug.
3. Insert the Power Plug into an electrical outlet.
4. Insert one end of the audio cable into the Charging TV Streamer.
5. Connect the remaining end of the audio cable to the desired audio source (TV, computer or music player). See following pages for more details.

Tip: When outside of the Charging TV Streamer range (16 feet), the Lumen 1000 automatically switches to the PSAP mode.



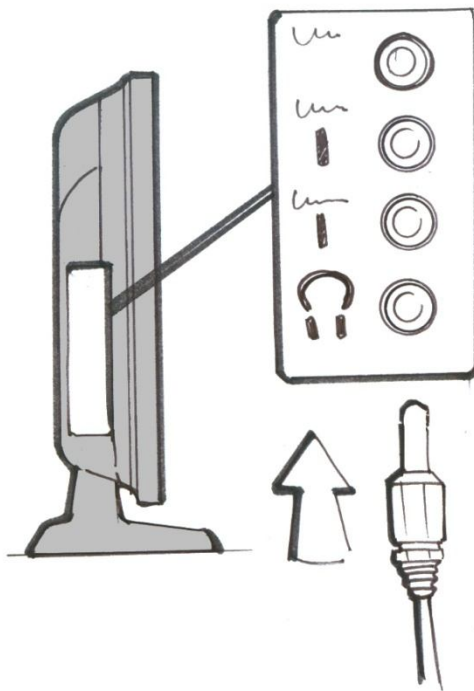
Tip: The Charging TV Streamer power LED will light up Solid blue when the Mini USB cable is connected to a power source.

Tip: Your Charging TV Streamer will work best when the antenna is positioned vertically.

Charging TV Streamer: Set Up – Connect to TV

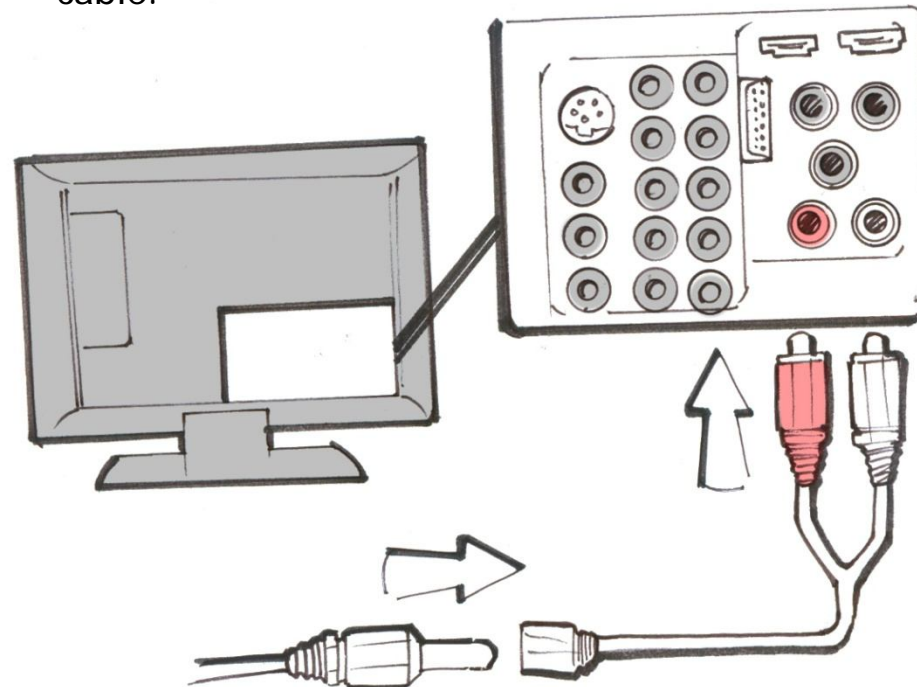
Headphone Jack

1. Locate headphone jack on the front, side or back of your TV. It will be identified by a headphone icon label, similar to the diagram shown.
2. Insert Audio Cable into TV headphone jack



Audio Output Jacks

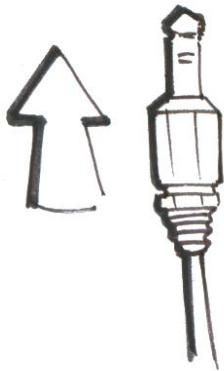
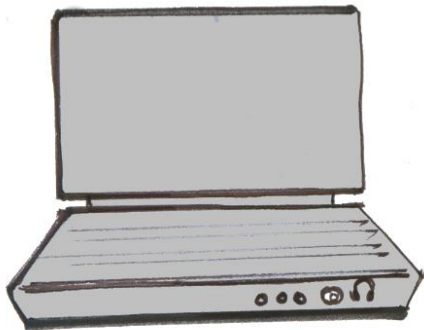
1. Locate audio output jacks on the front, side or back of your TV. They will look similar to the diagram shown. (See your specific products user manual for more information)
2. Insert the red RCA adapter into the red (R) jack. Insert the white RCA adapter into the white (L) jack.
3. Insert the audio cable from the **Charging TV Streamer** into the female audio jack on the opposite end of the RCA cable.



Charging TV Streamer: Set Up – Connect to TV

Computer Headphone Jack

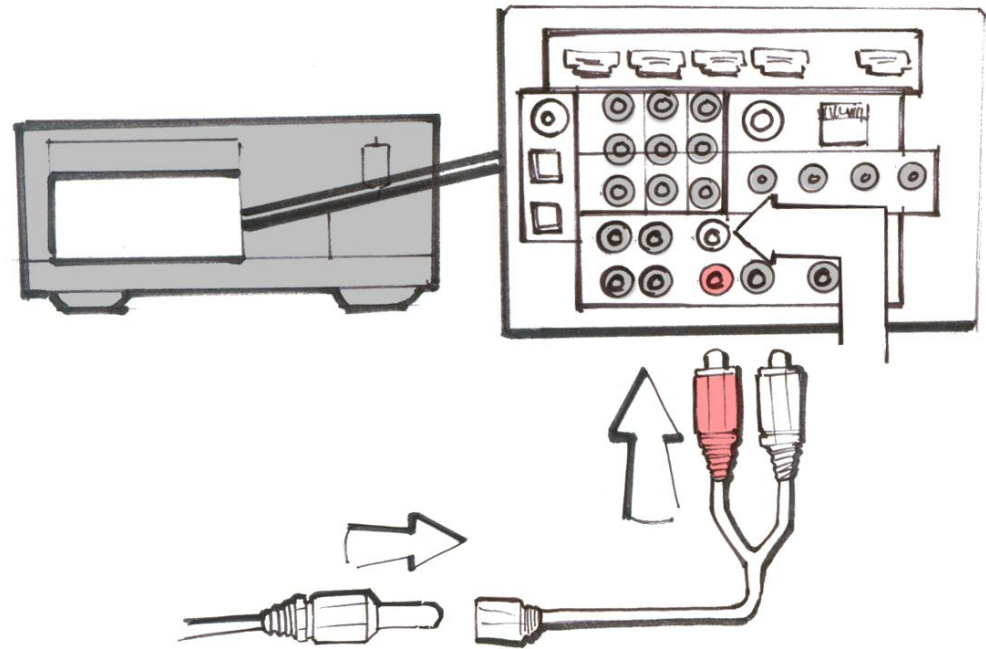
1. Locate headphone jack on the front, side or back of your computer. It will be identified by a headphone icon label, similar to the diagram shown.
2. Insert Audio Cable into the computer headphone jack



Tip: The TV audio will be muted if the headphone jack is used. Use the RCA cable connection to hear audio from the TV speakers and on your Lumen 1000 devices.

A/V Receiver Audio Output Jacks

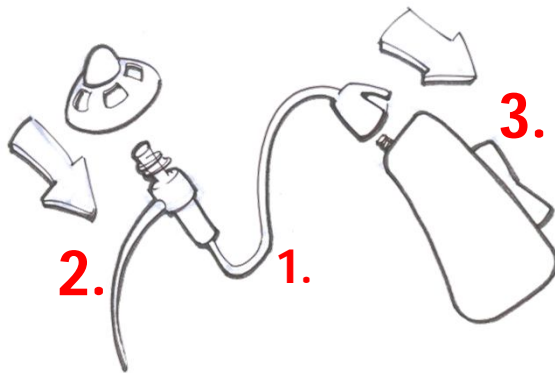
1. Locate audio output jacks on the front, side or back of your A/V Receiver. They will look similar to the diagram shown. (See your specific products user manual for more information)
2. Insert the red RCA adapter into the red (R) jack. Insert the white RCA adapter into the white (L) jack.
3. Insert the audio cable from the **Charging TV Streamer** into the female audio jack on the opposite end of the RCA cable.



Lumen 1000: Assembly and Charging

Assembling the Lumen 1000

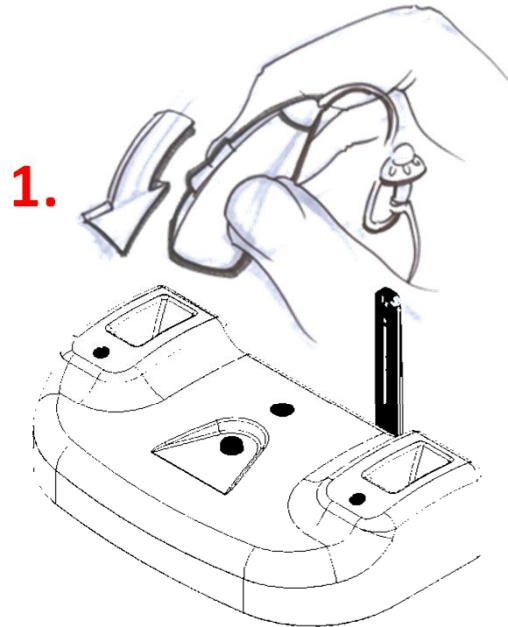
1. Choose left and right Sound Tube
2. Attach Dome Tip to Sound Tube. Choose a small or medium Dome Tip based on your personal comfort.
3. Snap base of Sound Tube assembly to nipple on earpiece.



Note: Turn off **Charging TV Streamer** to listen in PSAP mode only

Charging the Lumen 1000

1. Insert body of the Lumen 1000 into the charging slot of the **Charging TV Streamer**. The Lumen 1000 must be turned off prior to charging.
2. The Sound Tube will remain hanging on the Antenna side.

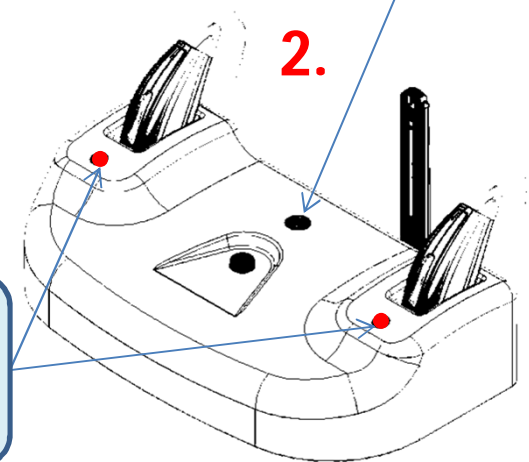


Note: Your Lumen 1000 needs to be fully charged prior to 1st use. A full charge takes approximately 1 hour.



Note: Turn off the **Charging TV Streamer** (blue LED off) during Lumen 1000 charging

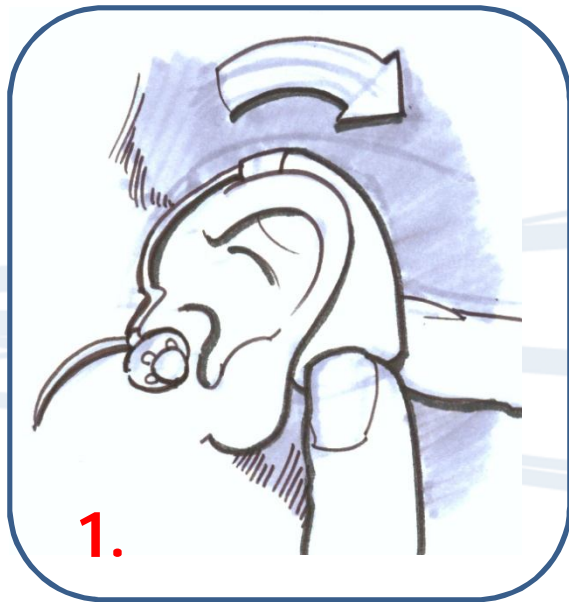
Tip: The corresponding red LED on the **Charging TV Streamer** will turn on indicating the Lumen 1000 in that position is charging. The LED will turn off when the device is fully charged.



Lumen 1000: Positioning on the Ear

Instructions for wearing

1. Place listening device over ear.
2. Insert Dome Tip into ear canal.
3. Tuck Retention Loop along bottom of ear cavity.



Charging TV Streamer: Device Commands

Using your Charging TV Streamer

1. Wear and turn ON Lumen 1000.
2. Refer to Device Commands table below for the operating modes







Note: Make sure Lumen 1000 and charging TV Streamer is both ON to hear streaming audio

Charging TV Streamer Device Commands

Function	Button	LED
Charging TV Streamer ON	Press button	Light continuously shines solid blue
Charging TV Streamer OFF	Press button	Light turns off

Lumen 1000: Rocker Switch Functions

Command	User Action	Audible Prompt Says
Turn ON 	When in OFF mode, Press rocker down until an audible response is heard	<i>"Battery" followed by "Low", "One", "Two", "Three", or "Four" dependent on battery level</i>
Turn OFF 	Press rocker down until an audible response is heard	<i>"Off"</i>
Volume UP 	Briefly press rocker up	None. Audible beep when volume reaches maximum range
Volume DOWN 	Briefly press rocker down	None. Audible beep when volume reaches minimum range
Low Battery	Continuous use	<i>"Battery low" at end of battery life</i>

Additional Information

- The Lumen 1000 battery life is about 4 hours when streaming continuously and 15 hours in PSAP mode.
- **Charging TV Streamer** range is approximately 16 feet. The Lumen 1000 automatically switches from PSAP to streaming mode when Charging TV Streamer is turned ON (blue LED on).
- Turn OFF **Charging TV Streamer** (blue LED off) during Lumen 1000 charging.
- Turn OFF the Lumen 1000 before charging. This will ensure the Lumen 1000 receives a full charge.
- If the Lumen 1000 battery is completely discharged, place the device in the charger. After a few minutes, remove the device from the charger, press and hold the rocker down until the “OFF” voice prompt is heard and then return the device to the charger and allow the device to charge fully.
- When the TV or audio source is ON and the Lumen 1000 is outside the **Charging TV Streamer** range, audio from the TV will NOT be heard. The Lumen 1000 will automatically switch to PSAP mode.
- It is required that you turn off the **Charging TV Streamer** to listen in PSAP mode only

FCC LABEL REQUIREMENTS

- This device complies with part 15 of the FCC Rules. Operation is subject to the following two conditions: (1) This device may not cause harmful interference, and (2) this device must accept any interference received, including interference that may cause undesired operation. (REF only - PER 15.19(a)(3))

- Changes or modifications not expressly approved by IntriCon for compliance could void the user's authority to operate the equipment. (REF only – per 15.21)

- This equipment has been tested and found to comply with the limits for a Class B digital device, pursuant to part 15 of the FCC Rules. These limits are designed to provide reasonable protection against harmful interference in a residential installation. This equipment generates uses and can radiate radio frequency energy and, if not installed and used in accordance with the instructions, may cause harmful interference to radio communications. However, there is no guarantee that interference will not occur in a particular installation. If this equipment does cause harmful interference to radio or television reception, which can be determined by turning the equipment off and on, the user is encouraged to try to correct the interference by one or more of the following measures:
 - a. Reorient or relocate the receiving antenna. Increase the separation between the equipment and receiver. Connect the equipment into an outlet on a circuit different from that to which the receiver is connected. Consult the dealer or an experienced radio/TV technician for help. (REF only – per 15.105)