

**Action Series**  
**Arrow® 4M900/5M900**  
**Ranger X™ M3900**  
**Ranger II™ RM900**  
**Power Wheelchairs**



## Parts Catalog Usage Guide

The information contained in this document is subject to change without notice. This catalog contains service parts for Form No. 94-108. If you have any questions regarding this catalog, please contact one of our Customer Service Representatives.

**For Customer Service Support Call:**

**1-800-333-6900**

**For Faxed In Orders Call:**

**1-800-678-4682 or**

**1-440-366-0709**

**For Technical Service Call:**

**1-800-832-4707**

**Literature Can Be Found at:**

**www.invacare.com or**

**1-800-828-6272**

### SYMBOL DEFINITION

Throughout this catalog you will notice letters to draw your attention to specific footnotes which are located at the bottom of the page or below specified charts.

Examples:

A,B,C etc. = Special Comments

NOTE: = General information pertaining to that specific page

NLA = No Longer Available

### HARDWARE MEASUREMENTS

The measurements for the hardware will be listed as follows:

Screws, Bolts Diameter X Thread Count/Pitch X Length

Washers Inside Diameter X Outside Diameter X Thickness

Spacers Inside Diameter X Outside Diameter X Length

For your convenience, we have supplied an area for you to list your Invacare Representatives.

Name	Phone Numbers

©2008 Invacare Corporation. Elyria, Ohio. Invacare, Yes, you can., the Blue Medallion Design, and Arrow are registered trademarks. Ranger X and Ranger II are trademarks of Invacare Corporation. Otto Bock is a registered trademark of Otto Bock Orthopaedische Industrie GMBH & Co.. Tash is a registered trademark of Tash International Inc.. Therafin is a registered trademark of W/R/ Medical Electronics Co.. Bussman is a registered trademark of Cooper Industries. Dynamic is a registered trademark of Dynamic Controls Limited.

# TABLE of CONTENTS

Description	Page Number
Accessories, Head Support - Adjustable .....	71
Accessories, Miscellaneous .....	250
Accessories, Power Wheelchair Tool Kit .....	248
Accessories, Solid Clip-On Seat (CSSP) 1/2" Wood Base .....	66
Accessories, Solid Clip-On Seat (SHSHP) - 3/4" Wood Base .....	67
Accessories, Solid Clip-On Seat (SHSP) .....	69
Accessories, Solid Seat Inserts (9120) .....	65
Accessories, Torso Support - Adjustable .....	73
Anti-Tipper Assembly .....	95
Arms, Desk Length .....	78
Arms, Full and Desk Length 2" Lower .....	81
Arms, Full and Desk Length 4" Deeper by Construction .....	84
Arms, Full Length .....	75
Arms, Trough .....	86
Back Canes .....	44
Back, Manual Reclining Mechanism .....	46
Back, Power Reclining Mechanism .....	48
Battery Box Hangers .....	187
Battery Box, Chargers, and Cables-Multi-Function Frame .....	97
Battery Box, Shrouds, Chargers and Cables .....	183
Belt Tensioning Device .....	177

# TABLE of CONTENTS

Description	Page Number
Caster, Front and Forks .....	88
Crossbrace Hardware .....	32
Crossbraces without Hardware - 2" Lower Height .....	36
Crossbraces without Hardware - Standard Height .....	34
Crossbraces, Dual without Hardware 14-18" Wide .....	38
Crossbraces, Dual without Hardware 19-24" Wide .....	41
Electronics - Displays .....	209
Electronics - Joystick Options .....	201
Electronics - MCC RII Controller .....	215
Electronics - MCCX Joystick and Controller .....	211
Electronics - MCCX Switch Option Interface .....	213
Electronics - Micro Control Replacement Boards .....	195
Electronics - Mid-Line Swing Bracket Assembly .....	207
Electronics - MKIII Arrow Controllers without Mounting Hardware .....	190
Electronics - MKIII Arrow Joystick and Hardware .....	198
Electronics - MKIII Controller Mounting Hardware .....	192
Electronics - MKIII Controller Mounting Hardware Combinations .....	194
Electronics - MKIII R.I.M. Head Control and Mounting Hardware .....	217
Electronics - MKIV Controller, Programmer and Mounting Hardware .....	233
Electronics - MKIV Displays .....	237
Electronics - MKIV Joystick - PS, PSF and PSR .....	222



# TABLE of CONTENTS

<b>Description</b>	<b>Page Number</b>
Electronics - MKIV Joystick Mounting Hardware and Joystick Accessories .....	224
Electronics - MKIV Joystick Options .....	243
Electronics - MKIV Joysticks - RII, RX, A, A+, TCHJOY .....	219
Electronics - MKIV R.I.M. Head Control Assembly (1500M4) .....	241
Electronics - MKIV R.I.M. Head Control Mounting Hardware (1500M4) .....	239
Electronics - MKIV Recliner Control and Recliner Cable .....	236
Electronics - MKIV Sip-N-Puff/Digital Interface and COM12, COM34 .....	235
Electronics - MKIV Swivel Joystick Mount .....	226
Electronics - Quad Link (QLA) After 4/06/06 .....	231
Electronics - Quad Link Assembly Before 4/07/06 .....	227
Electronics - Switch Options .....	203
Electronics - Swivel Joystick Mount .....	205
Electronics - Tash and Therafin Accessories .....	246
Frame Finishes, Touch-Up Paints, Upholstery Options and Accent Packages .....	8
Frame Hardware .....	13
Frame, Carriage Assembly For Multi-Function Frame .....	100
Frame, Multi-Function .....	96
Frame, Support and Hardware For Multi-Function Frame .....	101
Frames with Hardware - Black .....	14
Frames with Hardware - Black - Large - 10 Degree Bend .....	22
Frames with Hardware - Black - Large - Straight .....	20

# TABLE of CONTENTS

<b>Description</b>	<b>Page Number</b>
Frames with Hardware - Chrome .....	16
Frames with Hardware - Chrome - Large - 10 Degree Bend .....	26
Frames with Hardware - Chrome - Large - Straight .....	24
Frames with Hardware - Color .....	18
Frames with Hardware - Color - Large - 10 Degree Bend .....	30
Frames with Hardware - Color - Straight .....	28
Front Rigging - Footrest and Legrest Accessories .....	170
Front Rigging - Footrest Supports - 93-Black, Chrome, Color .....	103
Front Rigging - Footrest Supports - 93E Black, Chrome, Color .....	106
Front Rigging - Footrest Supports - 93M .....	109
Front Rigging - Footrest Supports - 93M2 .....	112
Front Rigging - Footrest Supports - 93ST .....	115
Front Rigging - Footrest Supports - H93 .....	118
Front Rigging - Footrest Supports - H93E .....	121
Front Rigging - Footrest Supports - H93M .....	124
Front Rigging - Footrest Supports - H93M2 .....	127
Front Rigging - Legrest Supports - 94BK .....	130
Front Rigging - Legrest Supports - 94BKR .....	136
Front Rigging - Legrest Supports - 96BK .....	139
Front Rigging - Legrest Supports - AHL4 & AHS4 .....	145
Front Rigging - Legrest Supports - AS4 & AL4 .....	148

# TABLE of CONTENTS

Description	Page Number
Front Rigging - Legrest Supports - H94BK .....	133
Front Rigging - Legrest Supports - H96BK .....	142
Front Rigging - One Piece Wooden Footboard and Hardware - S1263 .....	167
Front Rigging - Pivot Slide Tube w/ Footplate - 93E, 93M, 93M2, H93E, H93M .....	153
Front Rigging - Pivot Slide Tube w/ Footplate - 94BKR, 96BK, H94, H96 .....	163
Front Rigging - Pivot Slide Tube w/ Footplate for 93, H93 .....	154
Front Rigging - Pivot Slide Tube w/ Footplate for 93, H93 (14-15") .....	156
Front Rigging - Pivot Slide Tube w/ Footplate for 93E, 93M, 93M2, H93E, H93M, H93M2 .....	151
Front Rigging - Pivot Slide Tube w/ Footplate for 93ST (15-17") .....	159
Front Rigging - Pivot Slide Tube w/ Footplate for 93ST (18-19") .....	160
Front Rigging - Pivot Slide Tube w/ Footplate for 93ST (20-24") .....	158
Front Rigging - Pivot Slide Tube w/ Footplate for 94BK, 94BKR, 96BK, H94, H94BKR, H96BK .....	161
Front Rigging - Pivot Slide Tube w/ Footplate for 94BK, 94BKR, 96BK, H94, H96BK .....	162
Front Rigging - Pivot Slide Tube w/ Footplate for AL4A, AHL4A .....	166
Front Rigging - Pivot Slide Tube w/ Footplate for AS4A, AHS4A .....	165
Motors, Gearboxes and Clutch Assembly .....	172
Motors, Gearboxes and Clutch Assembly - Modified Chairs Serial/Model Numbers .....	181
Motors, Gearboxes, Clutch Assembly - X.P.R. ....	178
Packaging and Literature .....	11
Upholstery, Back and Headrest .....	50
Upholstery, Seat .....	56

# TABLE of CONTENTS

Description	Page Number
Upholstery, Seat - For Multi-Function Frame .....	63
Wheel Lock Assembly .....	94
Wheels, Rear .....	91

# Frame Finishes, Touch-Up Paints, Upholstery Options and Accent Packages

## Frame Finishes and Touch-Up Paint

Color Number	Part Number	Bottle Size	Color
02P	1031452	.6 oz.	Pink Pearl
03P	1031449	.6 oz.	Mercury
06P	1031454	.6 oz.	Super Teal
08P	1031456	.6 oz.	Deep Purple
15P	N/A	N/A	Chrome
17P	1046319	.6 oz.	Cobalt Blue
22P	1033376	.6 oz.	Anthracite
25P	N/A	N/A	Tennis Ball Yellow
29P	1031447	.6 oz.	White
30P	1031448	.6 oz.	Sunny Yellow
31P	1031453	.6 oz.	Lollipop Pink
32P	1031451-NLA	.6 oz.	True Blue
33P	1031455	.6 oz.	Red
34P	1046327	.6 oz.	Flat Black
35P	1101296	.6 oz.	Pewter
60P	1101318	.6 oz.	Silver Metallic
61PP	1046321	.6 oz.	Electric Red
62PP	1046320	.6 oz.	Electric Blue
64P	1046324	.6 oz.	Metallic Blue
65P	1046323	.6 oz.	Metallic Green
66PP	1046322	.6 oz.	Passion Purple
69P	1101320-NLA	.6 oz.	Teflon Black

# Frame Finishes, Touch-Up Paints, Upholstery Options and Accent Packages

## Veil Color Options

Color Number	Color
13VV NLA	Dark Purple
15VV NLA	Grey Splatter
19VV NLA	Green Veil
67VV NLA	Gold Veil

## Upholstery Options

Vinyl Colors	Nylon Colors
See Note(s) A	
U67 Black	U240 Black
U75 Dove Grey	
U86 Ruby	
U97 Sky Blue	
U88 Camel	
U85 Dark Blue	
U98 Earthtone	

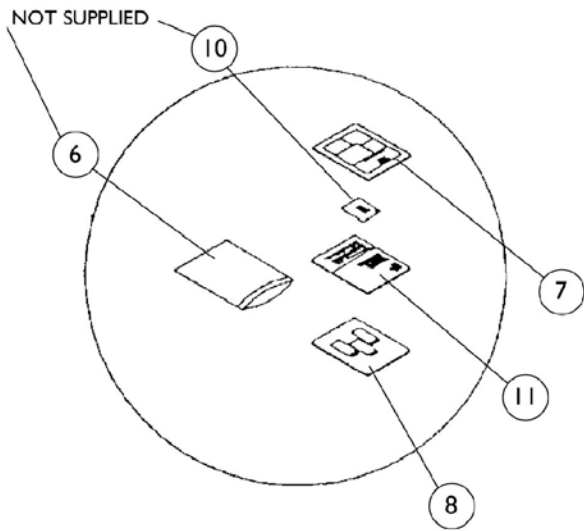
NOTE: A - Grey accent trimming is used with all Vinyl upholstery colors, except for U67 black.

# Frame Finishes, Touch-Up Paints, Upholstery Options and Accent Packages

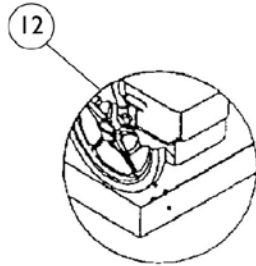
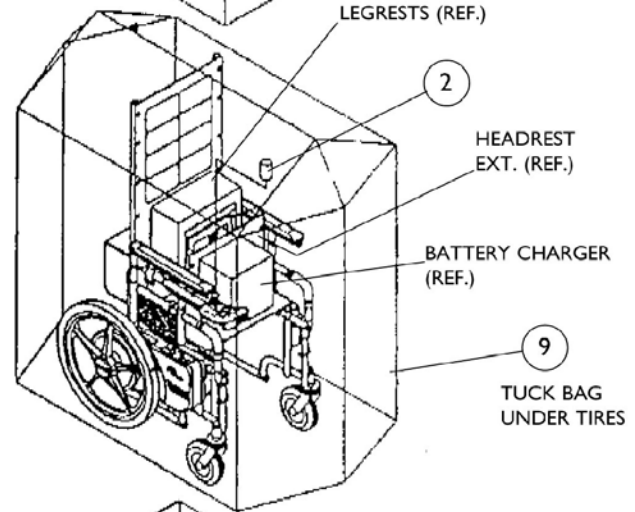
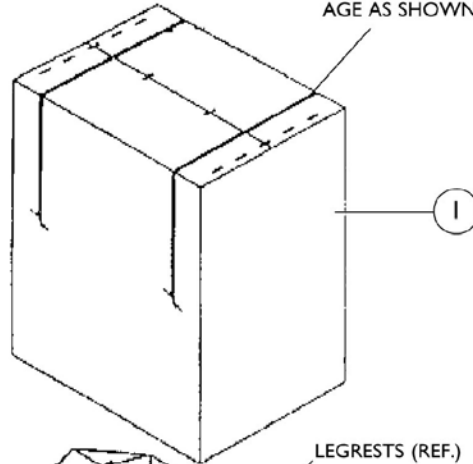
## Accent Package

Part Number	Package Color	Front Hub Cap	Rear Hub Cap	Release Lever Tip	Clutch/Lock Grip Cap	Lock Ring
1030393	Grey All	4	2	2	4	2
1030394	Teal and Black	4	2	2	4	2
1030395-NLA	Red and Black	4	2	2	4	2
1030396-NLA	Grey and Black	4	2	2	4	2
1030397	Lavender and Teal	4	2	2	4	2

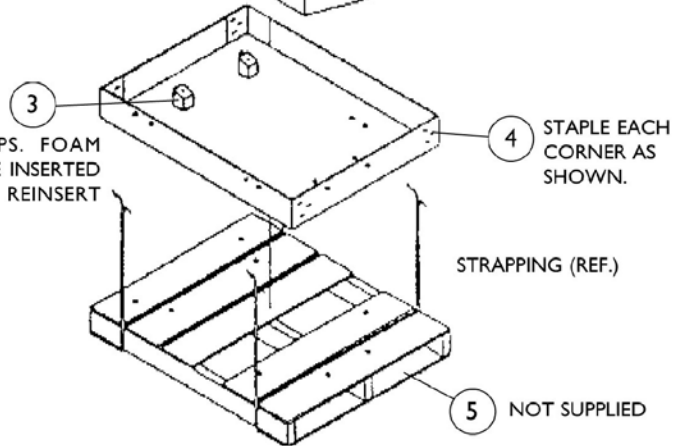
# Packaging and Literature



STRAP AROUND ENTIRE PACKAGE AS SHOWN. (2 PLACES)



REMOVE ANTI-TIPS. FOAM BLOCKS ARE TO BE INSERTED OVER STEP TUBE. REINSERT ANTI-TIPS.





# Packaging and Literature

## Non-Recliners For 18" Wide and Under

Item Number	Note	Part Number	Description	Quantity Per	
				Package	Assembly
1		1030364	Carton, Cover	1	1
2		1023612	Paper Tube	1	1
3		1030359-NLA	Foam Block	1	1
4		1030362	Carton, Tray	1	1
5	A	See Note	See Footnote	--	--
6	B	See Note	See Footnote	--	--
7		1030442-NLA	Owner's Manual	1	1
8		1025573	Wheelchair User's Guide	1	1
9		1015609-NLA	Bag, Poly (28" W x 44" D x 80" H)	1	1
10	C	See Note	See Footnote	--	--
11		00077X031	Warranty Card	1	1
12		98007X005	Cable Tie (11-1/2" Long)	1	1

NOTE: A - Wood Skid is not supplied  
B - Zip Lip Bag is not supplied  
C - Warranty Registration is not supplied

NOTE: When adjusting or replacing parts, please refer to your owner's manual for assistance.

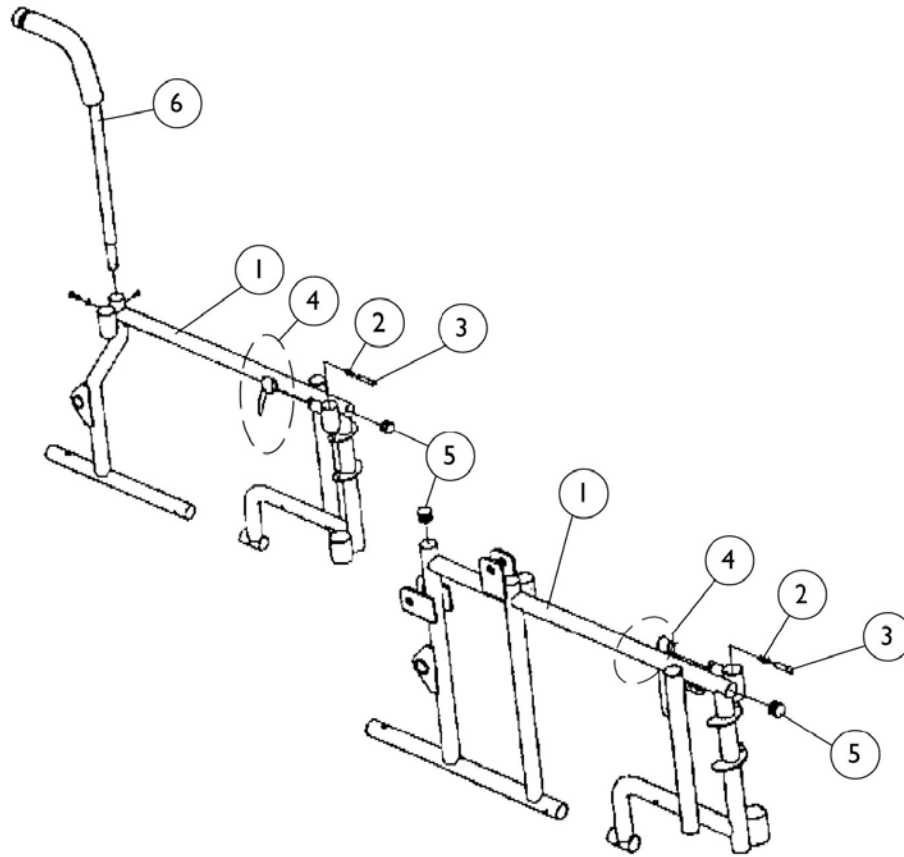
## Recliners For 18" Wide and Under

Item Number	Note	Part Number	Description	Quantity Per	
				Package	Assembly
1		1031682	Carton, Cover	1	1
2		1023612	Paper Tube	1	1
3		1030359-NLA	Foam Block	1	1
4		1030362	Carton, Tray	1	1
5	A	See Note	See Footnote	--	--
6	B	See Note	See Footnote	--	--
7		1030442-NLA	Owner's Manual	1	1
8		1025573	Wheelchair User's Guide	1	1
9		1015609-NLA	Bag, Poly (28" W x 44" D x 80" H)	1	1
10	C	See Note	See Footnote	--	--
11		00077X031	Warranty Card	1	1
12		98007X005	Cable Tie (11-1/2" Long)	1	1

NOTE: A - Wood Skid is not supplied  
B - Zip Lip Bag is not supplied  
C - Warranty Registration is not supplied

NOTE: When adjusting or replacing parts, please refer to your owner's manual for assistance.

# Frame Hardware



Item Number	Note	Part Number	Description	Quantity Per	
				Package	Assembly
1	A	See Page	See Footnote	1	1
2		47471X074	Spring, Arm Lock	1	1
3		1028594	Pin, Arm Lock	1	1
4		1090768	Kit, Lock Handle w/Rivets (both LT & RT side)	2	2
5		1027095	Plug Button, Black (7/8")	1	1
6	B	See Page	See Footnote	1	1

NOTE: A - See pages titled "Frames with Hardware".  
 B - See page titled "Back Canes".

NOTE: Items 2 thru 5 now come with frames.

# Frames with Hardware - Black

## Unmodified Frames

Frame Type	Sectional	Recliner	2" Lower Sectional	2" Lower Recliner
Standard 14-18" W -Right	1030071-NLA	1029145-NLA	1038726-NLA	1038671-NLA
Standard 14-18" W -Left	1030072-NLA	1029146-NLA	1038727-NLA	1038672-NLA
Tall 16-18" W -Right	1039310-NLA	Specials	N/A	N/A
Tall 16-18" W -Left	1039311-NLA	Specials	N/A	N/A
Large 19-22" W -Right	N/A	Specials	N/A	Specials
Large 19-22" W -Left	N/A	Specials	N/A	Specials
Labac 14-18" W -Right	1030071-NLA	1039794-NLA See Note(s) A	1038726-NLA	1039804-NLA
Labac 14-18" W -Left	1030072-NLA	1039795-NLA See Note(s) A	1038727-NLA	1039805-NLA

NOTE: A - Also used on 20" wide chairs.

# Frames with Hardware - Black

## Modified Frames

Frame Type	Sectional Standard	Recliner Standard	2" Lower	2" Lower Sectional	Sectional w/ Deeper 2"	Sectional Tall
Will Accept Dual X-Braces 14-18" W -Right	1038750-NLA	1038762-NLA	1038744-NLA	1038683-NLA	1039206-NLA	Special
Will Accept Dual X-Braces 14-18" W -Left	1038751-NLA	1038763-NLA	1038745-NLA	1038684-NLA	1039207-NLA	Special
Gusset 4 Places 14-18" W -Right	1040699-NLA	1040675-NLA	1038732-NLA	1038689-NLA	N/A	N/A
Gusset 4 Places 14-18" W -Left	1040700-NLA	1040676-NLA	1038733-NLA	1038690-NLA	N/A	N/A
Will Accept Dual X-Braces. Gusseted 4 Places 14-18" W -Right	1038756-NLA	1038768-NLA	1038738-NLA	1038677-NLA	1040693-NLA	8881040681-NLA
Will Accept Dual X-Braces. Gusseted 4 Places 14-18" W -Left	1038757-NLA	1038769-NLA	1038739-NLA	1038678-NLA	1040694-NLA	8881040682-NLA

# Frames with Hardware - Chrome

## Unmodified Frames

Frame Type	Sectional	Recliner	2" Lower Sectional	2" Lower Recliner
Standard 14-18" W -Right	1030073	1029734	1038728-NLA	1038673-NLA
Standard 14-18" W -Left	1030074	1029735	1038729-NLA	1038674-NLA
Tall 16-18" W -Right	1039312-NLA	Specials	N/A	N/A
Tall 16-18" W -Left	1039313-NLA	Specials	N/A	N/A
Large 19-22" W -Right	N/A	Specials	N/A	Specials
Large 19-22" W -Left	N/A	Specials	N/A	Specials
Labac 14-18" W -Right	1030073	1039796-NLA See Note(s) A	1038728-NLA	1039806-NLA
Labac 14-18" W -Left	1030074	1039797-NLA See Note(s) A	1038729-NLA	1039807-NLA

NOTE: A - Also used on 20" wide chairs.

# Frames with Hardware - Chrome

## Modified Frames

Footplate Type	Sectional Standard	Recliner Standard	2" Lower	2" Lower Recliner	Sectional w/ Deeper 2"	Sectional Tall
Will Accept Dual X-Braces 14-18" W -Right	1038752-NLA	1038764-NLA	1038746-NLA	1038685-NLA	1039208-NLA	Special
Will Accept Dual X-Braces 14-18" W -Left	1038753-NLA	1038765-NLA	1038747-NLA	1038686-NLA	1039209-NLA	Special
Gusset 4 Places 14-18" W -Right	1040701-NLA	1040677-NLA	1038734-NLA	1038691-NLA	N/A	N/A
Gusset 4 Places 14-18" W -Left	1040702-NLA	1040678-NLA	1038735-NLA	1038692-NLA	N/A	N/A
Will Accept Dual X-Braces. Gusseted 4 Places 14-18" W -Right	1038758-NLA	1038770-NLA	1038740-NLA	1038679-NLA	1040695-NLA	1040683-NLA
Will Accept Dual X-Braces. Gusseted 4 Places 14-18" W -Left	1038759-NLA	1038771-NLA	1038741-NLA	1038680-NLA	1040696-NLA	1040684-NLA

## Frames with Hardware - Color

NOTE: Specify frame color when ordering.

### Unmodified Frames

Frame Type	Sectional	Recliner	2" Lower Sectional	2" Lower Recliner
Standard 14-18" W -Right	1030075-NLA	8881029736	1038730-NLA	1038675-NLA
Standard 14-18" W -Left	1030076-NLA	8881029737	1038731-NLA	1038676-NLA
Tall 16-18" W -Right	8881039314	Specials	N/A	N/A
Tall 16-18" W -Left	8881039315	Specials	N/A	N/A
Large 19-22" W -Right	N/A	Specials	N/A	Specials
Large 19-22" W -Left	N/A	Specials	N/A	Specials
Labac 14-18" W -Right	1030075-NLA	1039798-NLA See Note(s) A	1038730-NLA	1039808-NLA
Labac 14-18" W -Left	1030076-NLA	1039799-NLA See Note(s) A	1038731-NLA	1039809-NLA

NOTE: A - Also used on 20" wide chairs.

## Frames with Hardware - Color

NOTE: Specify frame color when ordering.

### Modified Frames

Frame Type	Sectional Standard	Recliner Standard	2" Lower Sectional	2" Lower Recliner	Sectional w/ Deeper 2"	Sectional Tall
Will Accept Dual X-Braces 14-18" W -Right	1038754-NLA	1038766-NLA	1038748-NLA	1038687-NLA	8881039210-NL A	Special
Will Accept Dual X-Braces 14-18" W -Left	1038755-NLA	1038767-NLA	1038749-NLA	1038688-NLA	8881039211-NL A	Special
Gusset 4 Places 14-18" W -Right	1040703-NLA	1040679-NLA	1038736-NLA	1038693-NLA	N/A	N/A
Gusset 4 Places 14-18" W -Left	1040704-NLA	1040680-NLA	1038737-NLA	1038694-NLA	N/A	N/A
Will Accept Dual X-Braces. Gusseted 4 Places 14-18" W -Right	1038760-NLA	1038772-NLA	1038742-NLA	1038681-NLA	8881040697-NL A	8881040681
Will Accept Dual X-Braces. Gusseted 4 Places 14-18" W -Left	1038761-NLA	1038773-NLA	1038743-NLA	1038682-NLA	8881040698-NL A	8881040682



## Frames with Hardware - Black

### Large Non-Sectional Back Frames Straight Back Cane

**NOTE: All frames listed are manufactured for dual crossbraces  
Without Gussets**

Seat Depth x Back Height	Without Spreader Bar Insert Right	Without Spreader Bar Insert Left	With Spreader Bar Insert Right	With Spreader Bar Insert Left
16" x 16"	1038842-NLA	1038843-NLA	1038872-NLA	1038873-NLA
16" x 17"	1038848-NLA	1038849-NLA	1038878-NLA	1038879-NLA
16" x 18"	1038854-NLA	1038855-NLA	1038884-NLA	1038885-NLA
16" x 19"	1038860-NLA	1038861-NLA	1038890-NLA	1038891-NLA
16" x 20"	1038866-NLA	1038867-NLA	1038896-NLA	1038897-NLA
18" x 16"	1038692-NLA	1038693-NLA	1038992-NLA	1038993-NLA
18" x 17"	1038968-NLA	1038969-NLA	1038998-NLA	1038999-NLA
18" x 18"	1038974-NLA	1038975-NLA	1039004-NLA	1039005-NLA
18" x 19"	1038980-NLA	1038981-NLA	1039010-NLA	1039011-NLA
18" x 20"	1038986-NLA	1038987-NLA	1039016-NLA	1039017-NLA
20" x 16"	1039082-NLA	1039083-NLA	1039112-NLA	1039113-NLA
20" x 17"	1039088-NLA	1039089-NLA	1039118-NLA	1039119-NLA
20" x 18"	1039094-NLA	1039095-NLA	1039124-NLA	1039125-NLA
20" x 19"	1039100-NLA	1039101-NLA	1039130-NLA	1039131-NLA
20" x 20"	1039106-NLA	1039107-NLA	1039136-NLA	1039137-NLA

## Frames with Hardware - Black

### Large Non-Sectional Back Frames Straight Back Cane

**NOTE: All frames listed are manufactured for dual crossbraces  
With Gussets**

Seat Depth x Back Height	Without Spreader Bar Insert Right	Without Spreader Bar Insert Left	With Spreader Bar Insert Right	With Spreader Bar Insert Left
16" x 16"	1040393-NLA	1040394-NLA	1040423-NLA	1040424-NLA
16" x 17"	1040399-NLA	1040400-NLA	1040429-NLA	1040430-NLA
16" x 18"	1040405-NLA	1040406-NLA	1040435-NLA	1040436-NLA
16" x 19"	1040411-NLA	1040412-NLA	1040441-NLA	1040442-NLA
16" x 20"	1040417-NLA	1040418-NLA	1040447-NLA	1040448-NLA
18" x 16"	1040513-NLA	1040514-NLA	1040543-NLA	1040544-NLA
18" x 17"	1040519-NLA	1040520-NLA	1040549-NLA	1040550-NLA
18" x 18"	1040525-NLA	1040526-NLA	1040555-NLA	1040556-NLA
18" x 19"	1040531-NLA	1040532-NLA	1040561-NLA	1040562-NLA
18" x 20"	1040537-NLA	1040538-NLA	1040567-NLA	1040568-NLA
20" x 16"	1040603-NLA	1040604-NLA	1039172-NLA	1039173-NLA
20" x 17"	1040609-NLA	1040610-NLA	1039178-NLA	1039179-NLA
20" x 18"	1040615-NLA	1040616-NLA	1039184-NLA	1039185-NLA
20" x 19"	1040621-NLA	1040622-NLA	1039190-NLA	1039191-NLA
20" x 20"	1040627-NLA	1040628-NLA	1039200-NLA	1039201-NLA

## Frames with Hardware - Black

### Large Non-Sectional Back Frames with 10 Degree Bend in Back Cane

NOTE: All frames listed are manufactured for dual crossbraces.

#### Without Gussets

Seat Depth x Back Height	Without Spreader Bar Insert Right	Without Spreader Bar Insert Left	With Spreader Bar Insert Right	With Spreader Bar Insert Left
16" x 16"	1038696-NLA	1038697-NLA	1038812-NLA	1038813-NLA
16" x 17"	1038702-NLA	1038703-NLA	1038818-NLA	1038819-NLA
16" x 18"	1038708-NLA	1038709-NLA	1038824-NLA	1038825-NLA
16" x 19"	1038714-NLA	1038715-NLA	1038830-NLA	1038831-NLA
16" x 20"	1038720-NLA	1038721-NLA	1038836-NLA	1038837-NLA
18" x 16"	1038902-NLA	1038903-NLA	1038932-NLA	1038933-NLA
18" x 17"	1038908-NLA	1038909-NLA	1038938-NLA	1038939-NLA
18" x 18"	1038914-NLA	1038915-NLA	1038944-NLA	1038945-NLA
18" x 19"	1038920-NLA	1038921-NLA	1038950-NLA	1038951-NLA
18" x 20"	1038926-NLA	1038927-NLA	1038956-NLA	1038957-NLA
20" x 16"	1039022-NLA	1039023-NLA	1039052-NLA	1039053-NLA
20" x 17"	1039028-NLA	1039029-NLA	1039058-NLA	1039059-NLA
20" x 18"	1039034-NLA	1039035-NLA	1039064-NLA	1039065-NLA
20" x 19"	1039040-NLA	1039041-NLA	1039070-NLA	1039071-NLA
20" x 20"	1039046-NLA	1039047-NLA	1039076-NLA	1039077-NLA

## Frames with Hardware - Black

### Large Non-Sectional Back Frames with 10 Degree Bend in Back Cane

NOTE: All frames listed are manufactured for dual crossbraces.

#### With Gussets

Seat Depth x Back Height	Without Spreader Bar Insert Right	Without Spreader Bar Insert Left	With Spreader Bar Insert Right	With Spreader Bar Insert Left
16" x 16"	1040149-NLA	1040150-NLA	1040363-NLA	1040364-NLA
16" x 17"	1040155-NLA	1040156-NLA	1040369-NLA	1040370-NLA
16" x 18"	1040161-NLA	1040162-NLA	1040375-NLA	1040376-NLA
16" x 19"	1040167-NLA	1040168-NLA	1040381-NLA	1040382-NLA
16" x 20"	1040173-NLA	1040174-NLA	1040387-NLA	1040388-NLA
18" x 16"	1040453-NLA	1040454-NLA	1040483-NLA	1040484-NLA
18" x 17"	1040459-NLA	1040460-NLA	1040489-NLA	1040490-NLA
18" x 18"	1040465-NLA	1040466-NLA	1040495-NLA	1040496-NLA
18" x 19"	1040471-NLA	1040472-NLA	1040501-NLA	1040502-NLA
18" x 20"	1040477-NLA	1040478-NLA	1040507-NLA	1040508-NLA
20" x 16"	1040573-NLA	1040574-NLA	1039142-NLA	1039143-NLA
20" x 17"	1040579-NLA	1040580-NLA	1039148-NLA	1039149-NLA
20" x 18"	1040585-NLA	1040586-NLA	1039154-NLA	1039155-NLA
20" x 19"	1040591-NLA	1040592-NLA	1039160-NLA	1039161-NLA
20" x 20"	1040597-NLA	1040598-NLA	1039166-NLA	1039167-NLA

# Frames with Hardware - Chrome

## Large Non-Sectional Back Frames

### Straight Back Cane

**NOTE: All frames listed are manufactured for dual crossbraces.**

#### Without Gussets

Seat Depth x Back Height	Without Spreader Bar Insert Right	Without Spreader Bar Insert Left	With Spreader Bar Insert Right	With Spreader Bar Insert Left
16" x 16"	1038844-NLA	1038845-NLA	1038874-NLA	1038875-NLA
16" x 17"	1038850-NLA	1038851-NLA	1038880-NLA	1038881-NLA
16" X 18"	1038856-NLA	1038857-NLA	1038886-NLA	1038887-NLA
16" X 19"	1038862-NLA	1038863-NLA	1038892-NLA	1038893-NLA
16" X 20"	1038868-NLA	1038869-NLA	1038898-NLA	1038899-NLA
18" X 16"	1038964-NLA	1038965-NLA	1038994-NLA	1038995-NLA
18" X 17"	1038970-NLA	1038971-NLA	1039000-NLA	1039001-NLA
18" x 18"	1038976-NLA	1038977-NLA	1039006-NLA	1039007-NLA
18" x 19"	1038982-NLA	1038983-NLA	1039012-NLA	1039013-NLA
18" x 20"	1038988-NLA	1038989-NLA	1039018-NLA	1039019-NLA
20" x 16"	1039084-NLA	1039085-NLA	1039114-NLA	1039115-NLA
20" x 17"	1039090-NLA	1039091-NLA	1039120-NLA	1039121-NLA
20" x 18"	1039096-NLA	1039097-NLA	1039126-NLA	1039127-NLA
20" x 19"	1039102-NLA	1039103-NLA	1039132-NLA	1039133-NLA
20" x 20"	1039108-NLA	1039109-NLA	1039138-NLA	1039139-NLA

## Frames with Hardware - Chrome

### Large Non-Sectional Back Frames Straight Back Cane

**NOTE: All frames listed are manufactured for dual crossbraces.**

#### With Gussets

Seat Depth x Back Height	Without Spreader Bar Insert Right	Without Spreader Bar Insert Left	With Spreader Bar Insert Right	With Spreader Bar Insert Left
16" x 16"	1040395-NLA	1040396-NLA	1040425-NLA	1040426-NLA
16" x 17"	1040401-NLA	1040402-NLA	1040431-NLA	1040432-NLA
16" x 18"	1040407-NLA	1040408-NLA	1040437-NLA	1040438-NLA
16" x 19"	1040413-NLA	1040414-NLA	1040443-NLA	1040444-NLA
16" x 20"	1040419-NLA	1040420-NLA	1040449-NLA	1040450-NLA
18" x 16"	1040515-NLA	1040516-NLA	1040545-NLA	1040546-NLA
18" x 17"	1040521-NLA	1040522-NLA	1040551-NLA	1040552-NLA
18" x 18"	1040527-NLA	1040528-NLA	1040557-NLA	1040558-NLA
18" x 19"	1040533-NLA	1040534-NLA	1040563-NLA	1040564-NLA
18" x 20"	1040539-NLA	1040540-NLA	1040569-NLA	1040570-NLA
20" x 16"	1040605-NLA	1040606-NLA	1039174-NLA	1039175-NLA
20" x 17"	1040611-NLA	1040612-NLA	1039180-NLA	1039181-NLA
20" x 18"	1040617-NLA	1040618-NLA	1039186-NLA	1039187-NLA
20" x 19"	1040623-NLA	1040624-NLA	1039192-NLA	1039193-NLA
20" x 20"	1040629-NLA	1040630-NLA	1039202-NLA	1039203-NLA

**Frames with Hardware - Chrome**  
**Large Non-Sectional Back Frames**  
**with 10 Degree Bend in Back Cane**

**NOTE: All frames listed are manufactured for dual crossbraces.**

**Without Gussets**

Seat Depth x Back Height	Without Spreader Bar Insert Right	Without Spreader Bar Insert Left	With Spreader Bar Insert Right	With Spreader Bar Insert Left
16" x 16"	1038698-NLA	1038699-NLA	1038814-NLA	1038815-NLA
16" x 17"	1038704-NLA	1038705-NLA	1038820-NLA	1038821-NLA
16" x 18"	1038710-NLA	1038711-NLA	1038826-NLA	1038827-NLA
16" x 19"	1038716-NLA	1038717-NLA	1038832-NLA	1038833-NLA
16" x 20"	1038722-NLA	1038723-NLA	1038838-NLA	1038839-NLA
18" x 16"	1038904-NLA	1038905-NLA	1038934-NLA	1038935-NLA
18" x 17"	1038910-NLA	1038911-NLA	1038940-NLA	1038941-NLA
18" x 18"	1038916-NLA	1038917-NLA	1038946-NLA	1038947-NLA
18" x 19"	1038922-NLA	1038923-NLA	1038952-NLA	1038953-NLA
18" x 20"	1038928-NLA	1038929-NLA	1038958-NLA	1038959-NLA
20" x 16"	1039024-NLA	1039025-NLA	1039054-NLA	1039055-NLA
20" x 17"	1039030-NLA	1039031-NLA	1039060-NLA	1039061-NLA
20" x 18"	1039036-NLA	1039037-NLA	1039066-NLA	1039067-NLA
20" x 19"	1039042-NLA	1039043-NLA	1039072-NLA	1039073-NLA
20" x 20"	1039048-NLA	1039049-NLA	1039078-NLA	1039079-NLA

## Frames with Hardware - Chrome

### Large Non-Sectional Back Frames with 10 Degree Bend in Back Cane

**NOTE: All frames listed are manufactured for dual crossbraces.**

#### With Gussets

Seat Depth x Back Height	Without Spreader Bar Insert Right	Without Spreader Bar Insert Left	With Spreader Bar Insert Right	With Spreader Bar Insert Left
16" x 16"	1040151-NLA	1040152-NLA	1040365-NLA	1040366-NLA
16" x 17"	1040157-NLA	1040158-NLA	1040371-NLA	1040372-NLA
16" x 18"	1040163-NLA	1040164-NLA	1040377-NLA	1040378-NLA
16" x 19"	1040169-NLA	1040170-NLA	1040383-NLA	1040384-NLA
16" x 20"	1040175-NLA	1040176-NLA	1040389-NLA	1040390-NLA
18" x 16"	1040455-NLA	1040456-NLA	1040485-NLA	1040486-NLA
18" x 17"	1040461-NLA	1040462-NLA	1040491-NLA	1040492-NLA
18" x 18"	1040467-NLA	1040468-NLA	1040497-NLA	1040498-NLA
18" x 19"	1040473-NLA	1040474-NLA	1040503-NLA	1040504-NLA
18" x 20"	1040479-NLA	1040480-NLA	1040509-NLA	1040510-NLA
20" x 16"	1040575-NLA	1040576-NLA	1039144-NLA	1039145-NLA
20" x 17"	1040581-NLA	1040582-NLA	1039150-NLA	1039151-NLA
20" x 18"	1040587-NLA	1040588-NLA	1039156-NLA	1039157-NLA
20" x 19"	1040593-NLA	1040594-NLA	1039162-NLA	1039163-NLA
20" x 20"	1040599-NLA	1040600-NLA	1039168-NLA	1039169-NLA



## Frames with Hardware - Color

### Large Non-Sectional Back Frames Straight Back Cane

**NOTE: All frames listed are manufactured for dual crossbraces.**

#### Without Gussets

Seat Depth x Back Height	Without Spreader Bar Insert Right	Without Spreader Bar Insert Left	With Spreader Bar Insert Right	With Spreader Bar Insert Left
16" x 16"	1038846-NLA	1038847-NLA	1038876-NLA	1038877-NLA
16" x 17"	1038852-NLA	1038853-NLA	1038882-NLA	1038883-NLA
16" x 18"	1038858-NLA	1038859-NLA	1038888-NLA	1038889-NLA
16" x 19"	1038864-NLA	1038865-NLA	1038894-NLA	1038895-NLA
16" x 20"	1038870-NLA	1038871-NLA	1038900-NLA	1038901-NLA
18" x 16"	1038966-NLA	1038967-NLA	1038996-NLA	1038997-NLA
18" x 17"	1038972-NLA	1038973-NLA	1039002-NLA	1039003-NLA
18" x 18"	1038978-NLA	1038979-NLA	1039008-NLA	1039009-NLA
18" x 19"	1038984-NLA	1038985-NLA	1039014-NLA	1039015-NLA
18" x 20"	1038990-NLA	1038991-NLA	1039020-NLA	1039021-NLA
20" x 16"	1039086-NLA	1039087-NLA	1039116-NLA	1039117-NLA
20" x 17"	1039092-NLA	1039093-NLA	1039122-NLA	1039123-NLA
20" x 18"	1039098-NLA	1039099-NLA	1039128-NLA	1039129-NLA
20" x 19"	1039104-NLA	1039105-NLA	1039134-NLA	1039135-NLA
20" x 20"	1039110-NLA	1039111-NLA	1039140-NLA	1039141-NLA

## Frames with Hardware - Color

### Large Non-Sectional Back Frames

### Straight Back Cane

**NOTE: All frames listed are manufactured for dual crossbraces.**

**With Gussets**

Seat Depth x Back Height	Without Spreader Bar Insert Right	Without Spreader Bar Insert Left	With Spreader Bar Insert Right	With Spreader Bar Insert Left
16" x 16"	8881040397	8881040398	1040427-NLA	1040428-NLA
16" x 17"	8881040403	8881040404	1040433-NLA	1040434-NLA
16" x 18"	8881040409	8881040410	1040439-NLA	1040440-NLA
16" x 19"	1040415-NLA	1040416-NLA	1040445-NLA	1040446-NLA
16" x 20"	1040421-NLA	1040422-NLA	1040451-NLA	1040452-NLA
18" x 16"	1040517-NLA	1040518-NLA	1040547-NLA	1040548-NLA
18" x 17"	1040523-NLA	1040524-NLA	1040553-NLA	1040554-NLA
18" x 18"	1040529-NLA	1040530-NLA	1040559-NLA	1040560-NLA
18" x 19"	1040535-NLA	1040536-NLA	1040565-NLA	1040566-NLA
18" x 20"	1040541-NLA	1040542-NLA	1040571-NLA	1040572-NLA
20" x 16"	1040607-NLA	1040608-NLA	8881039176-NLA	8881039177-NLA
20" x 17"	1040613-NLA	1040614-NLA	8881039182-NLA	8881039183-NLA
20" x 18"	1040619-NLA	1040620-NLA	8881039188-NLA	8881039189-NLA
20" x 19"	1040625-NLA	1040626-NLA	8881039194-NLA	8881039195-NLA
20" x 20"	1040631-NLA	1040632-NLA	8881039204-NLA	8881039205-NLA

## Frames with Hardware - Color Large Non-Sectional Back Frames with 10 Degree Bend in Back Cane

**NOTE: All frames listed are manufactured for dual crossbraces.**

### Without Gussets

Seat Depth x Back Height	Without Spreader Bar Insert Right	Without Spreader Bar Insert Left	With Spreader Bar Insert Right	With Spreader Bar Insert Left
16" x 16"	1038700-NLA	1038701-NLA	1038816-NLA	1038817-NLA
16" x 17"	1038706-NLA	1038707-NLA	1038822-NLA	1038823-NLA
16" x 18"	1038712-NLA	1038713-NLA	1038828-NLA	1038829-NLA
16" x 19"	1038718-NLA	1038719-NLA	1038834-NLA	1038835-NLA
16" x 20"	1038724-NLA	1038725-NLA	1038840-NLA	1038841-NLA
18" x 16"	1038906-NLA	1038907-NLA	1038936-NLA	1038937-NLA
18" x 17"	1038912-NLA	1038913-NLA	1038942-NLA	1038943-NLA
18" x 18"	1038918-NLA	1038919-NLA	1038948-NLA	1038949-NLA
18" x 19"	1038924-NLA	1038925-NLA	1038954-NLA	1038955-NLA
18" x 20"	1038930-NLA	1038931-NLA	1038960-NLA	1038961-NLA
20" x 16"	1039026-NLA	1039027-NLA	1039056-NLA	1039057-NLA
20" x 17"	1039032-NLA	1039033-NLA	1039062-NLA	1039063-NLA
20" x 18"	1039038-NLA	1039039-NLA	1039068-NLA	1039069-NLA
20" x 19"	1039044-NLA	1039045-NLA	1039074-NLA	1039075-NLA
20" x 20"	1039050-NLA	1039051-NLA	1039080-NLA	1039081-NLA

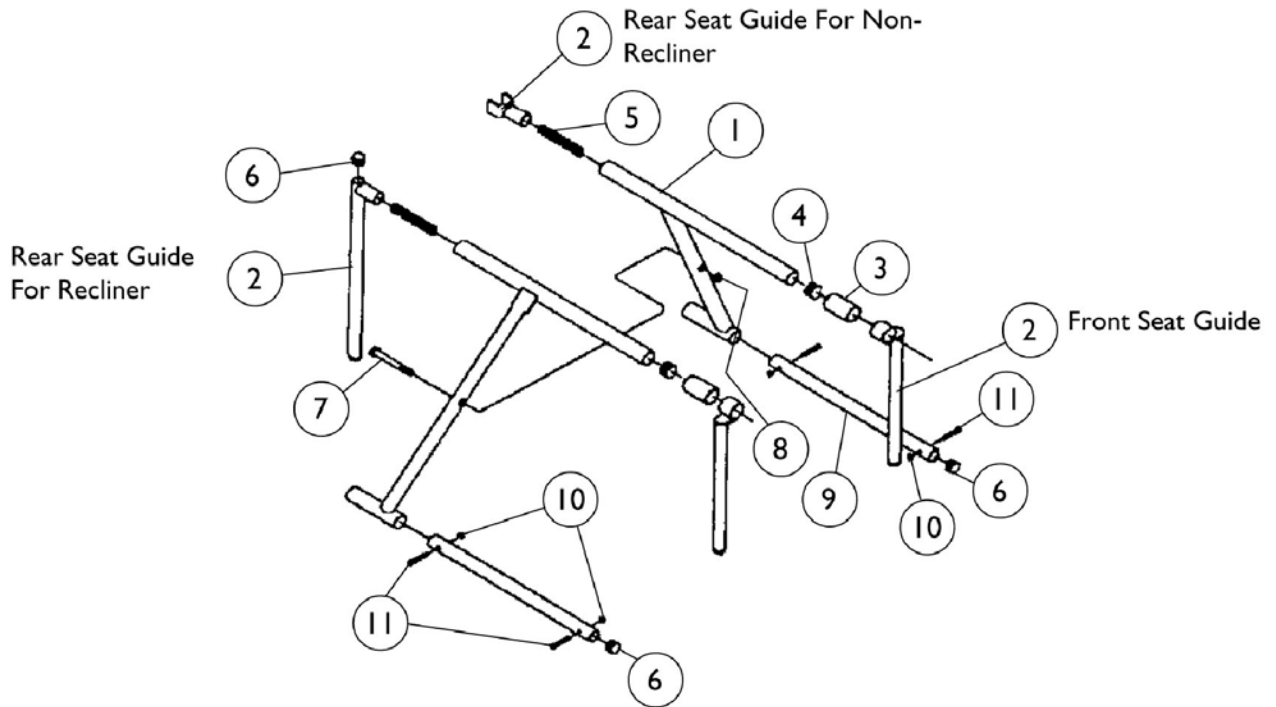
## Frames with Hardware - Color Large Non-Sectional Back Frames with 10 Degree Bend in Back Cane

**NOTE: All frames listed are manufactured for dual crossbraces.**

### With Gussets

Seat Depth x Back Height	Without Spreader Bar Insert Right	Without Spreader Bar Insert Left	With Spreader Bar Insert Right	With Spreader Bar Insert Left
16" x 16"	8881040153-NLA	8881040154-NLA	8881040367	8881040368
16" x 17"	8881040159	8881040160	8881040373	8881040374
16" x 18"	8881040165	8881040166	8881040379	8881040380
16" x 19"	8881040171	8881040172	8881040385	8881040386
16" x 20"	8881040177	8881040178	8881040391	8881040392
18" x 16"	1040457-NLA	1040458-NLA	1040487-NLA	1040488-NLA
18" x 17"	1040463-NLA	1040464-NLA	1040493-NLA	1040494-NLA
18" x 18"	1040469-NLA	1040470-NLA	1040499-NLA	1040500-NLA
18" x 19"	1040475-NLA	1040476-NLA	1040505-NLA	1040506-NLA
18" x 20"	1040481-NLA	1040482-NLA	1040511-NLA	1040512-NLA
20" x 16"	1040577-NLA	1040578-NLA	1039146-NLA	1039147-NLA
20" x 17"	1040583-NLA	1040584-NLA	1039152-NLA	1039153-NLA
20" x 18"	1040589-NLA	1040590-NLA	1039158-NLA	1039159-NLA
20" x 19"	1040595-NLA	1040596-NLA	1039164-NLA	1039165-NLA
20" x 20"	1040601-NLA	1040602-NLA	1039170-NLA	1039171-NLA

# Crossbrace Hardware



## Crossbrace Hardware

Item Number	Note	Part Number	Description	Quantity Per	
				Package	Assembly
1	B	See Page	See Footnote	1	1
2		1028598	Seat Guides, Black, Front, All Models	1	2
2	C	1028599	Seat Guides, Black, Rear Non-Recliners, STD, No Modifications	1	2
2	C	1034907-NLA	Seat Guides, Black, Rear Non-Recliners, 2" Lower	1	2
2	D	1031090	Seat Guides, Black, Rear Non-Recliners	1	2
2	E	Special	See Footnote	1	2
2	F	1029148	Seat Guides, Black, Rear Recliners	1	2
2	G	Special	See Footnote	1	2
2	H	1029254-NLA	Seat Guides, Black Rear, Recliners	1	2
3		1028601	Spacer, Non Recliners	1	2
3		1029149	Spacer, Recliners	1	2
4		1027095	Plug Button, Black (7/8")	1	2
5		47236X001	Tension Spring	1	2
6		1027097	Plug Button, Black (3/4")	1	2
7	A	1028600	Screw, Hex Head (5/16-24 x 3")	1	2
8	A	7930330	Locknut (5/16-24)	25	1
9		1002088-NLA	Lower Insert Tube	1	2
10		7930332	Locknut, High Profile (#10-32)	25	4
11		7930327	Screw, Phillips Pan Head (#10-32 x 1-1/8")	25	4

NOTE: A - Chairs that have dual crossbraces will use 2 each of the bolt and nut.  
 B - See Crossbraces without Hardware pages.  
 C - 14-16" or 18" Wide  
 D - (14-16" or 18" Wide - Talls) (20 or 22" Wide - Large) (All Widths Modified)  
 E - 20 or 22" Wide - Large, 2" Lower, Modified  
 F - All Chairs - Except 2" Lowers  
 G - 2" Lower  
 H - With Dual Crossbraces

# Crossbraces without Hardware

## Standard Height - Black Coated

### Item #I Standard - Non-Recliner

Seat Width x Seat Depth	Right	Left
14" x 16"	1024233	1024232
14" x 18"	1035836-NLA	1035837-NLA
15" x 16"	1035832-NLA	1035833-NLA
15" x 18"	1035838-NLA	1035839-NLA
16" x 16"	1024225-NLA	1024226-NLA
16" x 18"	1035840-NLA	1035841-NLA
17" x 16"	1035834-NLA	1035835-NLA
17" x 18"	1035842	1035843
18" x 16"	1024235	1024236
18" x 18"	1035844-NLA	1035845-NLA

NOTE: For chairs 19" wide crossbraces must be special ordered.

### Item #I Standard - Recliner

Seat Width x Seat Depth	Right	Left
14" x 17"	8881036019	1036020
15" x 17"	N/A	N/A
16" x 17"	1030688-NLA	1030689-NLA
17" x 17"	N/A	N/A
18" x 17"	1030692-NLA	1030693-NLA

NOTE: For chairs 19" wide crossbraces must be special ordered.

# Crossbraces without Hardware

## Standard Height - Black Coated

### Item #1 Tall - Non-Recliner

Seat Width x Seat Depth	Right	Left
16" x 18"	1035840-NLA	1035841-NLA
18" x 18"	1035844-NLA	1035845-NLA

NOTE: For chairs 19" wide cross braces must be special ordered.

### Item #1 Tall - Recliner

Seat Width x Seat Depth	Right	Left
16" x 18"	Special	Special
18" x 18"	Special	Special

NOTE: For chairs 19" wide crossbraces must be special ordered.

### Item #1 Larger - Non-Recliner

Seat Width x Seat Depth	Right	Left
20" x 16"	See Dual Crossbraces without Hardware page.	See Dual Crossbraces without Hardware page.
22" x 16"	See Dual Crossbraces without Hardware page.	See Dual Crossbraces without Hardware page.

NOTE: For chairs 19" wide crossbraces must be special ordered.

### Item #1 Larger - Recliner

Seat Width x Seat Depth	Right	Left
20" x 16"	Special	Special
22" x 16"	Special	Special

NOTE: For chairs 19" wide crossbraces must be special ordered.



# Crossbraces without Hardware

## 2" Lower Height - Black Coated

### Item #I Standard - Non-Recliner

Seat Width x Seat Depth	Right	Left
14" x 16"	1035087-NLA	1035088-NLA
15" x 16"	N/A	N/A
16" x 16"	1035085-NLA	1035086-NLA
17" x 16"	N/A	N/A
18" x 16"	1035083-NLA	1035084-NLA

NOTE: For chairs 19" wide crossbraces must be special ordered.

### Item #I Standard - Recliner

Seat Width x Seat Depth	Right	Left
14" x 17"	1035081-NLA	1035082-NLA
15" x 17"	N/A	N/A
16" x 17"	1035079-NLA	1035080-NLA
17" x 17"	N/A	N/A
18" x 17"	1035077-NLA	1035078-NLA

NOTE: For chairs 19" wide crossbraces must be special ordered.

### Item #I Tall - Non-Recliner

Seat Width x Seat Depth	Right	Left
16" x 18"	N/A	N/A
18" x 18"	N/A	N/A

NOTE: For chairs 19" wide cross braces must be special ordered.

# Crossbraces without Hardware

## 2" Lower Height - Black Coated

### Item #1 Tall - Recliner

Seat Width x Seat Depth	Right	Left
16" x 18"	N/A	N/A
18" x 18"	N/A	N/A

NOTE: For chairs 19" wide crossbraces must be special ordered.

### Item #1 Larger - Non-Recliner

Seat Width x Seat Depth	Right	Left
20" x 16"	Special	Special
20" x 17"	Special	Special
22" x 16"	Special	Special
22" x 17"	Special	Special

NOTE: For chairs 19" wide crossbraces must be special ordered.

### Item #1 Larger - Recliner

Seat Width x Seat Depth	Right	Left
20" x 16"	N/A	N/A
20" x 17"	N/A	N/A
22" x 16"	N/A	N/A
22" x 17"	N/A	N/A

NOTE: For chairs 19" wide crossbraces must be special ordered.

## Dual Crossbraces without Hardware Black Coated

**Item # Standard - Non-Recliner**

Seat Width x Seat Depth	Right	Left
14" x 16"	1034816-NLA	1034817-NLA
14" x 18"	1034838-NLA	1034839
14" x 20"	1034860	1034861
15" x 16"	1034814-NLA	1034815-NLA
15" x 18"	1034836-NLA	1034837-NLA
15" x 20"	1034858-NLA	1034859-NLA
16" x 16"	1034812	1034813
16" x 18"	1034834-NLA	1034835-NLA
16" x 20"	1034856	1034857
17" x 16"	1034810	1034811
17" x 18"	1034832-NLA	1034833
17" x 20"	1034854-NLA	1034855-NLA
18" x 16"	1034808	1034809
18" x 18"	1034830-NLA	1034831-NLA
18" x 20"	1034852	1034853

## Dual Crossbraces without Hardware Black Coated

### Item #I Standard - Recliner

Seat Width x Seat Depth	Right	Left
14" x 17"	1035873	1035874
15" x 17"	Special	Special
16" x 17"	1035871	1035872
17" x 17"	Special	Special
18" x 17"	1035869	1035870

### Item #I (2" Lower) Non-Recliner

Seat Width x Seat Depth	Right	Left
14" x 16"	1035043	1035044
15" x 16"	N/A	N/A
16" x 16"	1035041	1035042
17" x 16"	N/A	N/A
18" x 16"	1035039	1035040

**Dual Crossbraces without Hardware**  
**Black Coated**  
**Item #1 (2" Lower) Recliner**

Seat Width x Seat Depth	Right	Left
14" x 17"	N/A	N/A
15" x 17"	N/A	N/A
16" x 17"	1035047	1035048
16" x 18"	N/A	N/A
17" x 17"	N/A	N/A
18" x 17"	1035045	1035046
18" x 18"	N/A	N/A

# Dual Crossbraces without Hardware Black Coated

## Item #I Standard - Non-Recliner

Seat Width x Seat Depth	Right	Left
19" x 16"	1034806	1034807
19" x 18"	1034828	1034829
19" x 20"	1034850	1034851
20" x 16"	1034804	1034805
20" x 18"	1034826	1034827
20" x 20"	1034848	1034849
21" x 16"	1034802	1034803
21" x 18"	1034824	1034825
21" x 20"	1034846	1034847
22" x 16"	1034800	1034801
22" x 18"	1034822	1034823
22" x 20"	1034844 See Note(s) A	1034845 See Note(s) A
23" x 16"	1034798	1034799
23" x 18"	1034820	1034821
23" x 20"	1034842 See Note(s) A	1034843 See Note(s) A
24" x 16"	1034796-NLA	1034797-NLA
24" x 18"	1034818	1034819
24" x 20"	1034840 See Note(s) A	1034841 See Note(s) A

NOTE: A - Crossbraces are gusseted as well.

## Dual Crossbraces without Hardware Black Coated

### Item #I Standard - Recliner

Seat Width x Seat Depth	Right	Left
19" x 17"	Special	Special
20" x 17"	Special	Special
21" x 17"	Special	Special
22" x 17"	Special	Special
23" x 17"	Special	Special
24" x 17"	Special	Special

### Item #I (2" Lower) Non-Recliner

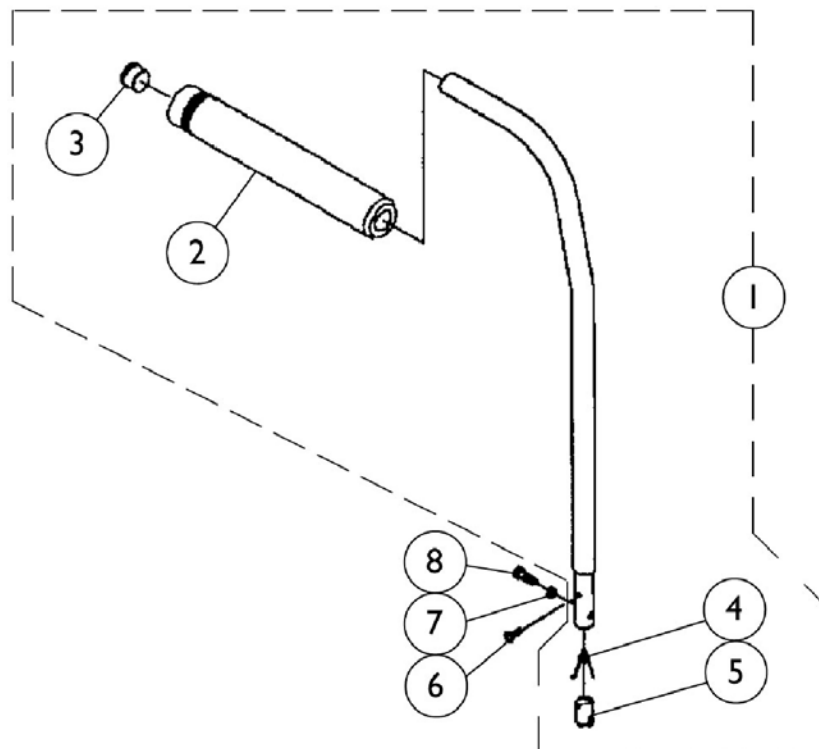
Seat Width x Seat Depth	Right	Left
19" x 16"	N/A	N/A
20" x 16"	N/A	N/A
21" x 16"	N/A	N/A
22" x 16"	N/A	N/A
23" x 16"	N/A	N/A
24" x 16"	N/A	N/A

**Dual Crossbraces without Hardware**  
**Black Coated**  
**Item #1 (2" Lower) Recliner**

Seat Width x Seat Depth	Right	Left
20" x 17"	N/A	N/A
22" x 17"	N/A	N/A
23" x 17"	N/A	N/A
24" x 17"	N/A	N/A



## Back Canes



Item Number	Note	Part Number	Description	Quantity Per	
				Package	Assembly
1	B,B1	See Chart	#1 Cane w/Handgrip, Threaded Insert, & Spring - Action Ranger & Multi-Function Frames	1	1
1		See Chart	#1 Cane w/Handgrip, Threaded Insert, and Spring - Arrow Action	1	1
2	A,C	1024761-NLA	Grip, Cane - Black	1	1
2	D	1032246	Grip, Cane	1	1
3		1027095	Plug Button, Black (7/8")	1	1
4		40188X002	Release Spring	1	1
5		1005834	Threaded Insert	1	1
6		1028484	Screw, Phillips Pan Head Tap (#10-32 x 1/2")	1	1
7		1026108	Lockwasher (1/4 x 15/32 x 1/64")	1	1
8		1007219	Screw, Socket Head Cap (1/4-20 x 3/4")	1	1

NOTE: A - Item number 3 is only used with Cane Grip part number 1024761.  
 B - Hemi's and L-2's (Sectional Backs) are manufactured with a 1" shorter back height.  
 B1 - Example: A 2" Lower Chair with a 16" back height will actually have a 15" high canes and back upholstery. The end result (16") will be the same when the back upholstery is put back onto the chairs canes.  
 C - Before 7/92  
 D - After 6/92

### Item #1 Cane w/Handgrip, Threaded Insert, and Spring

#### Arrow Action

# Back Canes

## Item #1 Cane w/Handgrip, Threaded Insert, and Spring

### Arrow Action

12" Height	14" Height	15" Height	16" Height	17" Height	18" Height	19" Height	20" Height
1031080	1031081	1031082	1031083	1031084	1031085	1031086	1031087

NOTE: For All Widths

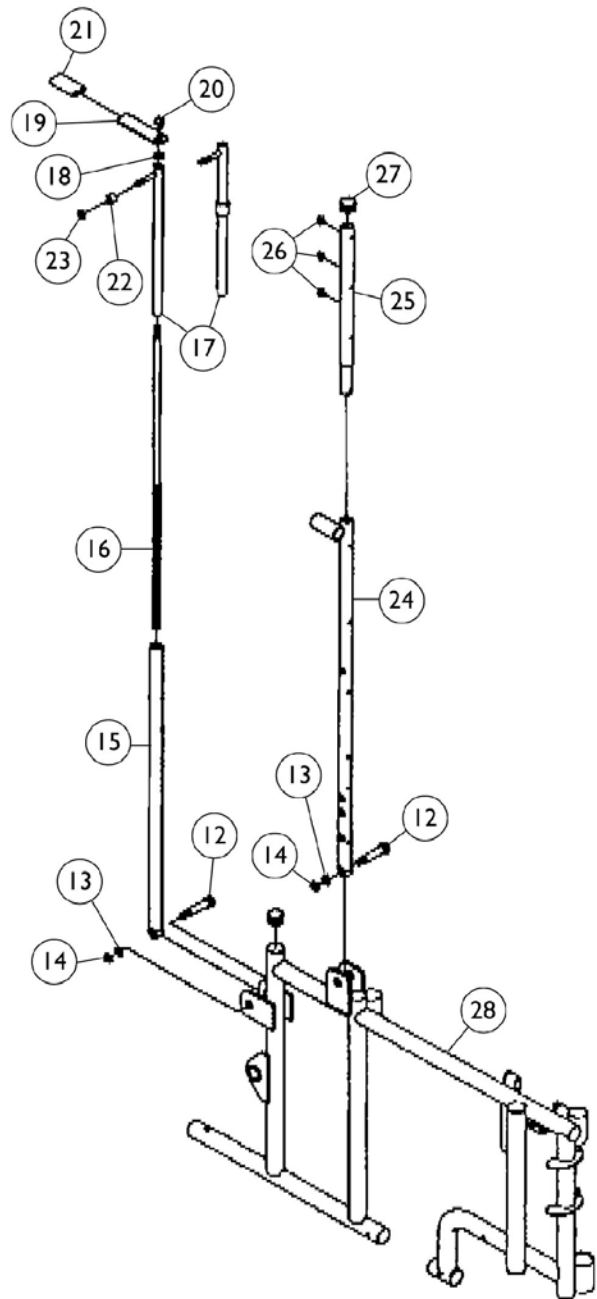
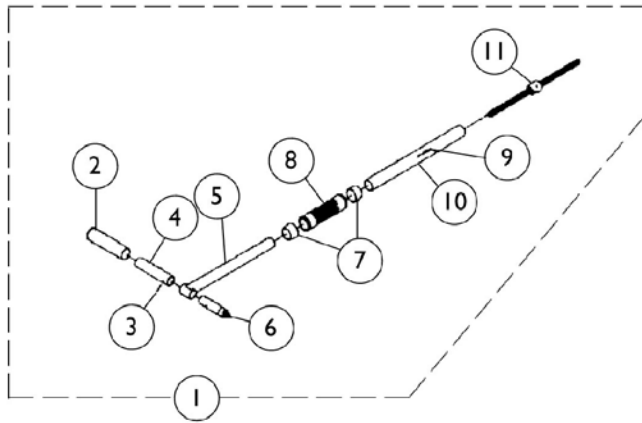
## Item #1 Cane w/ Handgrip, Threaded Insert, & Spring

### Action Ranger & Multi-Function Frames

12" Height	14" Height	15" Height	16" Height	17" Height	18" Height	19" Height	20" Height
1031049-NLA	1031050-NLA	1031051-NLA	1031052-NLA	1031053-NLA	1031054-NLA	1031055-NLA	1031056-NLA

NOTE: For All Widths

# Manual Back Reclining Mechanism

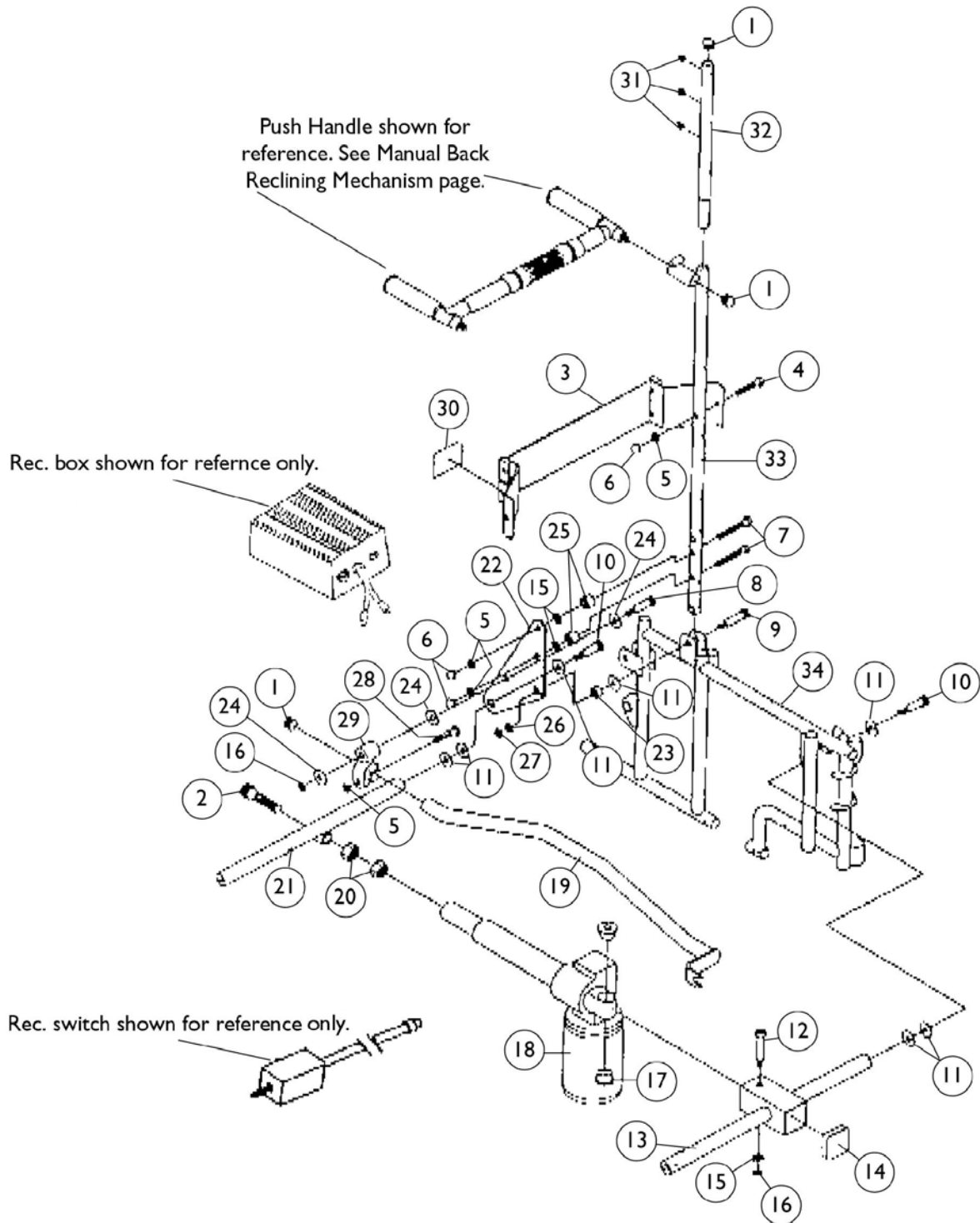


# Manual Back Reclining Mechanism

Item Number	Note	Part Number	Description	Quantity Per	
				Package	Assembly
1	E	1029097	Handle Assembly, Adjustable Push	1	1
1	F	1034868	Handle Assembly, Adjustable Push	1	1
2		1029096	Handgrip (Black)	1	2
3		40197X000	Roll Pin (3/16 x 7/8")	1	2
4		1029087	Handle	1	2
5	E	1029090-NLA	Tube, Adjuster - Right	1	1
5	F	1029093	Tube, Adjuster - Left	1	1
5	E	1029274	Tube, Adjuster - Right	1	1
5	F	1029275-NLA	Tube, Adjuster - Left	1	1
6		47340X006	Handle Tie Rod	1	1
7		15680X013	Anti-Rattle (1")	1	2
8		1029099	Handgrip Center	1	1
9		40187X014	Pin, Roll (3/16 x 1")	1	1
10		1029095	Cover, Strut	1	1
11		04419X011	Rod, Adjusting	1	1
12		1029134	Screw, Shoulder (1/2 x 1-1/4")	1	1
13		1025704	Washer, Flat (5/16 x 5/8 x 1/16")	1	2
14		1028486	Locknut, Low Profile (3/8-16)	1	2
15		1029098	Tube, Rear	1	1
16		1029128	Rod, Threaded Locking	1	1
17		1029127-NLA	Spacer Tube, Full Recline	1	1
17		1029139	Spacer Tube, Semi-Recline	1	1
18		7930331	Locknut (7/16-20")	25	1
19		1029133	Handle, Locking	1	1
20		1029135	Acorn Nut (7/16-20")	1	1
21		47376X025	Plastic Tip (Black)	1	1
22		1026160	Spacer (5/16 x 7/16 x 3/8")	1	1
23		7930330	Locknut (5/16-24)	25	1
24		1029130	Tube, Recliner Back, Right	1	1
24		1029131	Tube, Recliner Back, Left	1	1
25	B,C	1037481-NLA	Tube, Headrest Extension (Black) w/Snap Buttons	1	1
25	B,D	1037482-NLA	Tube, Headrest Extension (Black) w/ Heat Shrink Tape	1	1
26		47447X009	Screw, Phillips (#8 x 3/8")	1	1
27		1027095	Plug Button, Black (7/8")	1	3
28	A	See Page	See Footnote	1	1

NOTE: A - See Frames with Hardware page.  
 B - Includes items 26 and 27  
 C - After 9/92  
 D - Before 10/92  
 E - 14" to 18" Wide  
 F - 19" to 24" Wide

# Power Back Reclining Mechanism

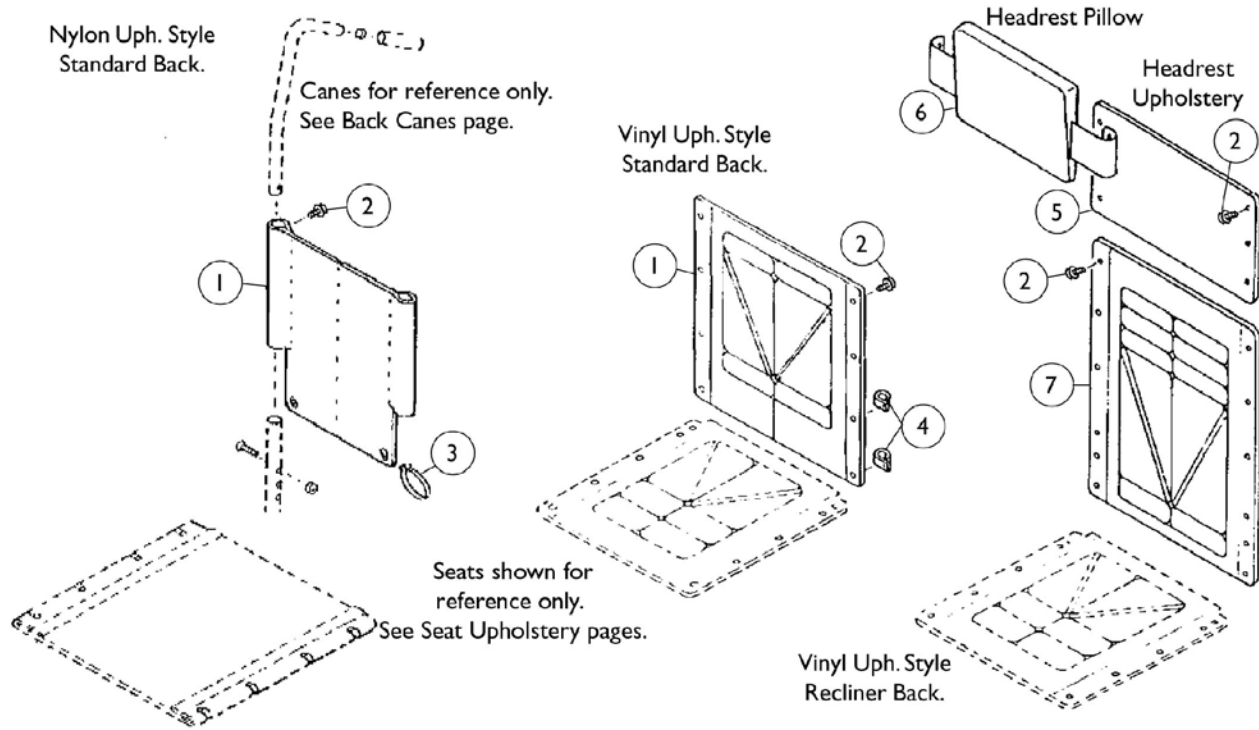


## Power Back Reclining Mechanism

Item Number	Note	Part Number	Description	Quantity Per	
				Package	Assembly
1		1027095	Plug Button, Black (7/8")	1	6
2		60284X005-NLA	Screw, Socket Head Cap (1/2-20 x 1-1/4")	1	2
3		1031658	Bracket, Adult Controller Mount (18" Wide)	1	2
3		1031659	Bracket, Narrow Adult Controller Mount (16" Wide)	1	2
4		1028514	Screw, Hex Head (5/16-24 x 1-1/2")	1	2
5		50200X000-NLA	Locknut (5/16-24)	1	8
6		1028496	Acorn Nut (5/16-24)	1	6
7		1031891	Screw, Hex Head (5/16-24 x 2")	1	4
8		1031664-NLA	Screw, Socket Head Shoulder (3/8 x 1")	1	2
9		1031886	Screw, Socket Head Shoulder (1/2 x 1-3/4")	1	2
10		60282X011	Screw, Socket Head Shoulder (3/8 x 1-1/4")	1	4
11		1031673	Washer, Nylon (35/64 x 1 x 1/16")	1	14
12		1031665	Screw, Socket Head Shoulder (3/8 x 1-1/2")	1	1
13		1029268	Rod, Adult Motor Mount (18" Wide)	1	1
13		1029270	Rod, Narrow Adult Motor Mount (16" Wide)	1	1
14		14190X000-NLA	Plug Button, Square (1-7/16")	1	1
15		1025704	Washer, Flat (5/16 x 5/8 x 1/16")	1	5
16		1028769	Locknut (5/16-18)	1	3
17		50000X346	Mount, Spacer/ Flange	1	1
18		1024220	Actuator Assembly, Drive	1	1
19		1029262	Extender, Leg	1	2
20		1026163	Nut, Hex Jam. (1/2-20)	1	2
21		1029266	Rod, Adult Rear Actuator (18" Wide)	1	1
21		1029264	Rod, Narrow Adult Rear Actuator (16" Wide)	1	1
22		1031885	Plate, Pivot (Black)	1	2
23		1031892	Spacer	1	1
24		1012371	Washer, Nylon (3/8 x 7/8 x 1/16")	1	6
25		47183X046	Spacer (11/32 x 5/8 x 1/2")	1	4
26		16325X000	Washer (3/8 x 13/16 x 1/16")	1	2
27		1028486	Locknut, Low Profile (3/8-16)	1	2
28		1031026	Screw w/ Lug (5/16-24 x 1-3/8")	1	2
29		1029255-NLA	Bushing Clamp	1	2
30		1013149	Label, Caution	1	1
31		47447X009	Screw, Phillips (#8 x 3/8")	1	6
32	B,C	1037481-NLA	Tube, Headrest Extension (Black) w/Snap Buttons	1	2
32	B,D	1037481-NLA	Tube, Headrest Extension (Black) w/Snap Buttons	1	2
33		1029130	Tube, Recliner Back, Right	1	2
33		1029131	Tube, Recliner Back, Left	1	2
34	A	See Page	See Footnote	--	--

NOTE: A - See Frames with Hardware page.  
B - Includes items 1 and 31  
C - Without Heat-Shrink Tape - After 9/92  
D - With Heat Shrink Tape - Before 10/92

# Back and Headrest Upholstery



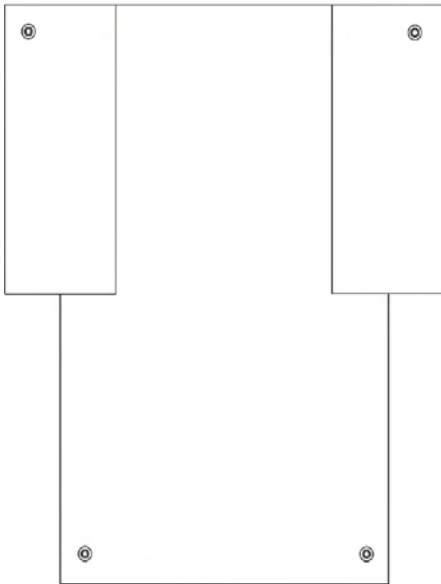
## Back and Headrest Upholstery

Item Number	Note	Part Number	Description	Quantity Per	
				Package	Assembly
1		See Chart	#1 Nylon Fabric without Hardware - 2" Lower	1	1
1		See Chart	#1 Nylon Fabric without Hardware - Modified - Wider and Higher by Construction	1	1
1		See Chart	#1 Nylon Fabric without Hardware - Modified - Wider by Construction	1	1
1		See Chart	#1 Nylon Fabric without Hardware - Standard or Tall Sizes - No Modifications	1	1
1		See Chart	#1 Vinyl Fabric without Hardware - 2" Lower	1	1
1		See Chart	#1 Vinyl Fabric without Hardware - Modified - Wider and Higher by Construction	1	1
1		See Chart	#1 Vinyl Fabric without Hardware - Modified - Wider by Construction	1	1
1		See Chart	#1 Vinyl Fabric without Hardware - Standard or Tall Sizes - No Modifications	1	1
2		1076284	Screw w/ washer (#10 x 7/8")	1	1
2	L	1029154	Kit, Back Upholstery Hardware - Screws w/ Washers (#10 x 7/8")	12	1
2	M	1031095	Screws with Washers (#10-16 x 7/8")	4	1
2	B	1026298	Screws with Washers (#10 x 7/8")	2	1
3		98007X005	Cable Tie (11-1/2" Long)	1	2
4		50000X403	Clamp, (Black) Plastic	1	2
5	A,C	8881054647	Headrest, Vinyl without Hardware, Adult	1	1
5	A,D	8881054648	Headrest, Vinyl without Hardware, Narrow Adult	1	1
5	A,E	8881054649	Headrest, Vinyl without Hardware, Slim Narrow	1	1
5	A,F	Special	See Footnote	1	1
6	A,H	88804644X008	Headrest Pillow	1	1
6	A,I	88804644X002-NLA	Headrest Pillow	1	1
6	A,J	Special	See Footnote	1	1
7	A,C	8881013877	Recliner Back Upholstery without Hardware, Tall	1	1
7	A,D	8881013874	Headrest, Vinyl without Hardware, Tall Narrow	1	1
7	E	1035124	Headrest, Vinyl without Hardware, Slim Narrow (U98)	1	1
7	A,C	8881013877	Recliner Back Upholstery without Hardware, Tall	1	1
7	A,C	8881013874	Headrest, Vinyl without Hardware, Tall Narrow	1	1
7	A,G	Special	See Footnote	--	--

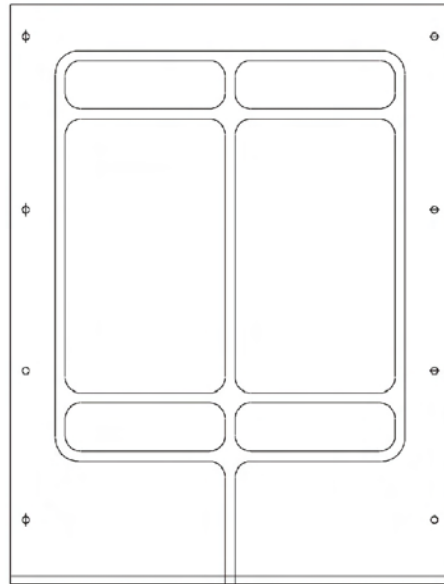


# Back and Headrest Upholstery

NOTE: A - Specify upholstery color when ordering, see Frame Finishes Touch-Up Paints, Upholstery Options and Accent Packages page.  
 B - For Nylon Standard Back  
 C - 18" Wide  
 D - 16" Wide  
 E - 14" Wide  
 F - Tall, Tall Narrow, Large, and Large Narrow  
 G - Large and Large Narrow 20" and 22" Wide  
 H - Adult and Narrow Adult  
 I - Slim Narrow  
 J - Large and Large Narrow  
 L - For Recliner Back  
 M - For Vinyl Standard Back



Back Upholstery  
Nylon without Hardware



Back Upholstery  
Vinyl without Hardware

## Nylon Fabric without Hardware

### Item #1 Standard or Tall Sizes - No Modifications

Height	14" Wide	16" Wide	18" Wide	20" Wide	22" Wide
12"	1035701	1035703	1035705	N/A	N/A
14"	1035711	1035713	1035715	N/A	N/A
15"	1035716	1035718	1035720	N/A	N/A
16"	1030316	1030318	1030320	1030322	1030324
17"	1035721	1035723	1035725	N/A	N/A

# Back and Headrest Upholstery

## Nylon Fabric without Hardware

### Item #1 Standard or Tall Sizes - No Modifications

Height	14" Wide	16" Wide	18" Wide	20" Wide	22" Wide
18"	1030327	1030329	1030331	N/A	N/A
19"	1035732	1035734	1035736	N/A	N/A
20"	1035743	1035745	1035747	N/A	N/A

NOTE: Specify upholstery colors when ordering.

NOTE: 15", 17", 19", 21" widths not available.

## Nylon Fabric without Hardware

### Item #1 Modified - Wider by Construction

Height	15" Wide	17" Wide	19" Wide	21" Wide
16"	1030317	1030319	1030321	1030323

NOTE: Specify upholstery colors when ordering.

NOTE: 14", 16", 18", 20" and 22" widths not available.

## Nylon Fabric without Hardware

### Item #1 Modified - Wider and Higher by Construction

Height	15" Wide	17" Wide	19" Wide	20" Wide	21" Wide	22" Wide
17"	1035722-NLA	1035724-NLA	1035726	1035727	1035728	1035729
18"	1030328	1030330	1030332	1030333	1030334	1030335
19"	1035733-NLA	1035735-NLA	1035737	1035738	1035739	1035740
20"	1035744-NLA	1035746	1035748	1035749	1035750	1035751

NOTE: Specify upholstery colors when ordering.

NOTE: 14", 16" and 18" widths not available.

# Back and Headrest Upholstery

## Nylon Fabric without Hardware

### Item #1 (2" Lower)

Height	14" Wide	16" Wide	18" Wide
14"	1035706	1035708	1035710
15"	1035711	1035713	1035715
16"	1035716	1035718	1035720
17"	1030316	1030318	1030320
18"	1035721	1035723	1035725
19"	1030327	1030329	1030331
20"	1035732	1035734	1035736

NOTE: Hemi's/L-2's (Sectional Backs) are manufactured with 1" shorter back height. Example: A 2" Lower Chair with 16" back height will actually have a 15" high canes and back upholstery. The end result (16") will be the same when the back upholstery is put on the chair.  
 NOTE: Specify upholstery colors when ordering.  
 NOTE: 15", 17", 19", 20", 21" and 22" widths not available.

## Vinyl Fabric without Hardware

### Item #1 Standard or Tall Sizes - No Modifications

Height	14" Wide	16" Wide	18" Wide
12"	08015X079-NLA	08015X078-NLA	8881024210
14"	08015X080-NLA	88808015X076	8881024209
15"	88808015X081	88808015X210	8881024206
16"	88808015X121	88808015X152	8881024202
17"	08015X082-NLA	88808015X223	8881024195
18"	88808015X126	88808015X228	8881024200
19"	08015X084-NLA	88808015X086	8881024194
20"	88808015X089	88808015X077	8881024191

NOTE: Specify upholstery color when ordering.  
 NOTE: 15", 17", 19", 20", 21", 22" widths not available.

# Back and Headrest Upholstery

## Vinyl Fabric without Hardware

### Item #1 Modified - Wider by Construction

Height	15" Wide	17" Wide	19" Wide	20" Wide	21" Wide	22" Wide
16"	Special	Special	8881035183	8881024203	8881035184	8881024201

NOTE: Specify upholstery color when ordering.

NOTE: 14", 16", 18" widths not available.

## Vinyl Fabric without Hardware

### Item #1 Modified - Wider and Higher by Construction

Height	15" Wide	17" Wide	19" Wide	20" Wide	21" Wide	22" Wide
17"	Special	Special	8881035374	8881024196	8881035375	8881024198
18"	Special	Special	8881035380	8881024199	8881035381	8881024197
19"	Special	Special	8881035386	8881024189	8881035387	8881024190
20"	Special	Special	8881035392	8881024192	8881035393	8881024193

NOTE: Specify upholstery color when ordering.

NOTE: 14", 16", 18" widths not available.

## Vinyl Fabric without Hardware

### Item #1 (2" Lower)

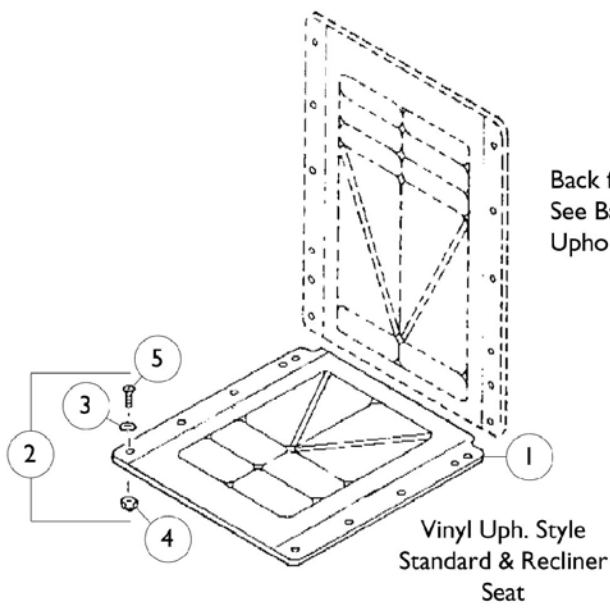
Height	14" Wide	16" Wide	18" Wide
14"	8881035396	8881035398	8881035400
15"	08015X080-NLA	88808015X076	8881024209
16"	88808015X081	88808015X210	8881024206
17"	88808015X121	88808015X152	8881024202
18"	08015X082-NLA	88808015X223	8881024195
19"	88808015X126	88808015X228	8881024200
20"	08015X084-NLA	88808015X086	8881024194

NOTE: Hemi's/L-2's (Sectional Backs) are manufactured with 1" shorter back height. Example: A 2" Lower Chair with 16" back height will actually have 15" high canes and back upholstery. The end result (16") will be the same when the back upholstery is put on the chair.

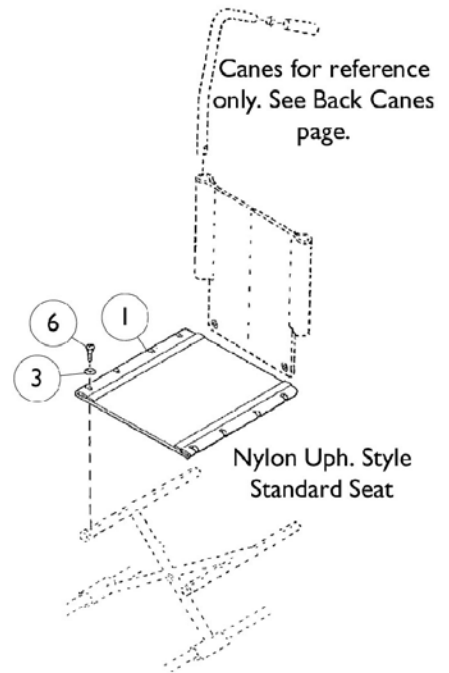
NOTE: Specify upholstery color when ordering.

NOTE: 15", 17", 19", 20", 21", 22" widths not available.

# Seat Upholstery



Back for reference only.  
See Back and Headrest  
Upholstery page.



## Seat Upholstery Extensions and Hardware

Item Number	Note	Part Number	Description	Quantity Per	
				Package	Assembly
1		See Chart	#1 Nylon Fabric without Hardware - Modified - Wider and Deeper by Construction 14"-18"	1	1
1		See Chart	#1 Nylon Fabric without Hardware - Modified - Wider and Deeper by Construction 19"-22"	1	1
1		See Chart	#1 Nylon Fabric without Hardware - Modified - Deeper Extension	1	1
1		See Chart	#1 Nylon Fabric without Hardware - Standard or Tall Sizes - No Modifications	1	1
1		See Chart	#1 Vinyl Fabric without Hardware - Modified - Deeper by Extension Kit	1	1
1		See Chart	#1 Vinyl Fabric without Hardware - Modified - Wider and Deeper by Construction 14"-18"	1	1
1		See Chart	#1 Vinyl Fabric without Hardware - Modified - Wider and Deeper by Construction 19"-22"	1	1
1		See Chart	#1 Vinyl Fabric without Hardware - Standard or Tall Sizes - No Modifications	1	1
2	B	1028547	Hardware Package, Standard	1	1
2	C	1029153	Hardware Package, Recliner	1	1
2	A	1034905	Hardware Package, Deeper by Extension	1	1
3		7930325	Washer (1/4 x 3/4 x 3/32")	25	8
4		7930332	Locknut, High Profile (#10-32)	25	8
5		1028476	Screw, Phillips Pan Head (#10-32 x 1-3/8")	1	8
6		1029236	Screw, Phillips Oval Pan Head (#10-32 x 1-1/2")	1	2
	D	See Chart	Seat Extensions	1	1

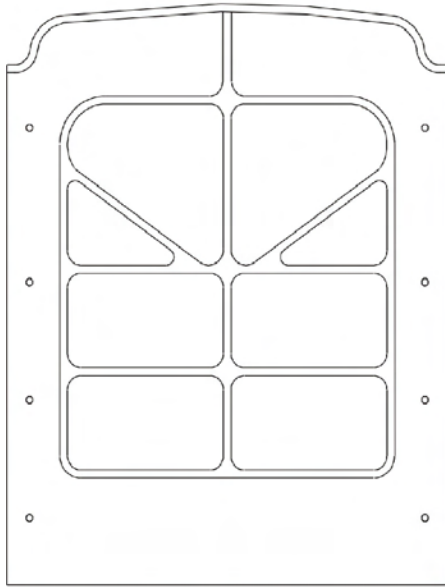
NOTE: A - 12 each of items 3 and 4, 10 each of item 5, and 2 each of item 6.  
 B - 8 each of items 3, 4, and 5.  
 C - 10 each of items 3, 5, and 5.  
 D - Not Shown

### Seat Extensions

Chair Style	Standard Depth	1031905	1031906
		See Note(s) A	See Note(s) A
Sectional or Fixed Backs	16"	1" Extension = 17" Depth	2" Extension = 18" Depth
Reclining Back	17"	1" Extension = 18" Depth	2" Extension = 19" Depth

NOTE: A - Contains 2 each extension tubes.

# Seat Upholstery



Seat Upholstery  
Vinyl without Hardware



Seat Upholstery  
Nylon without Hardware

## Vinyl Fabric without Hardware

### Item #1 Standard or Tall Sizes - No Modifications

Depth	14" Wide	16" Wide	18" Wide	20" Wide	22" Wide
16"	88808014X007	88808014X002	88808014X001	88808014X003	88808014X004
17"	8881035293 See Note(s) A	88808014X011 See Note(s) A	88808014X010 See Note(s) A	N/A	N/A
18"	8881035255	88808014X006	88808014X005	8881035259	8881035261

NOTE: A - Standard Recliner

NOTE: Specify upholstery color when ordering.

NOTE: 15", 17", 19", 21" widths not available.

## Vinyl Fabric without Hardware

### Item #1 Modified - Wider and Deeper by Construction 14"-18"

Depth	14" Wide	15" Wide	16" Wide	17" Wide	18" Wide
16"	N/A	8881035227	N/A	Special	N/A
17"	8881035233	N/A	88808014X011	N/A	8881035237
18"	8881035255	8881035256	88808014X006	N/A	88808014X005
19"	8881035264	8881035265	8881035266	8881035267	Special
20"	8881035275	8881035276	8881035277	8881035278	8881035279
21"	8881035284	8881035285	8881035286	8881035287	8881035288

# Seat Upholstery

## Vinyl Fabric without Hardware

### Item #1 Modified - Wider and Deeper by Construction 14"-18"

Depth	14" Wide	15" Wide	16" Wide	17" Wide	18" Wide
22"	Special	N/A	N/A	N/A	N/A

NOTE: Specify upholstery color when ordering.



# Seat Upholstery

## Vinyl Fabric without Hardware

### Item #1 Modified - Wider and Deeper by Construction 19"-22"

Depth	19" WIDTH	20" WIDTH	21" WIDTH	22" WIDTH
16"	8881035229	N/A	8881035230	N/A
17"	8881035238	8881035239	8881035240	8881035241
18"	8881035258	8881035259	8881035260	8881035261
19"	N/A	N/A	N/A	N/A
20"	8881035280	8881035281	8881035282	8881035283
21"	8881035289	8881035290	8881035291	8881035292
22"	Special	Special	Special	Special

NOTES: Specify upholstery color when ordering.

## Vinyl Fabric without Hardware

### Item #1 Modified - Deeper by Extension Kit

Depth	14" Wide	16" Wide	18" Wide	20" Wide	22" Wide
17"	8881035233	8881035235	8881035237	8881035239	8881035241
18"	8881035244	8881035246	8881035248	8881035250	8881035252
18"	8881035294 See Note(s) A	8881035295 See Note(s) A	8881035296 See Note(s) A	N/A	N/A
19"	N/A	N/A	8881035268	N/A	N/A
20"	8881035301	8881035302	8881035303	N/A	N/A

NOTE: A - Standard Recliner

NOTE: Specify upholstery color when ordering.

NOTE: 15", 17", 19", 21" widths not available.

# Seat Upholstery

## Nylon Fabric without Hardware

### Item #1 Standard or Tall Sizes - No Modifications

Width	16" Deep	18" Deep
14" Wide	1029993	1029995
15" Wide	1030000-NLA	1030002-NLA
16" Wide	1030007	1030009
17" Wide	1030014-NLA	1030016
18" Wide	1030021	1030023
19" Wide	1030028	1030030
20" Wide	1030035	1030037
21" Wide	1030042	1030044
22" Wide	1030049	1030051

NOTE: 17" Depth not available.

NOTE: Specify upholstery color when ordering.

## Nylon Fabric without Hardware

### Item #1 Modified - Wider and Deeper by Construction 14"-18"

Depth	14" Wide	15" Wide	16" Wide	17" Wide	18" Wide
18"	1029995	1030002-NLA	1030009	1030016	1030023
19"	1029996	1030003-NLA	1030010	1030017-NLA	1030024
20"	1029997	1030004-NLA	1030011	1030018-NLA	1030025
21"	1029998	1030005-NLA	1030012	1030019-NLA	1030026
22"	1029999	1030006	1030013	1030020	1030027

NOTE: 16" and 17" Depths not available.

NOTE: Specify upholstery color when ordering.

# Seat Upholstery

## Nylon Fabric without Hardware

### Item #1 Modified - Wider and Deeper by Construction 19"-22"

Depth	19" Wide	20" Wide	21" Wide	22" Wide
16"	1030028	1030035	1030042	1030049
17"	1030029	1030036	1030043	1030050
18"	1030030	1030037	1030044	1030051
19"	1030031	1030038	1030045	1030052
20"	1030032	1030039	1030046	1030053
21"	1030033	1030040	1030047	1030054
22"	1030034-NLA	1030041-NLA	1030048-NLA	1030055-NLA

NOTE: Specify upholstery color when ordering.

## Nylon Fabric without Hardware

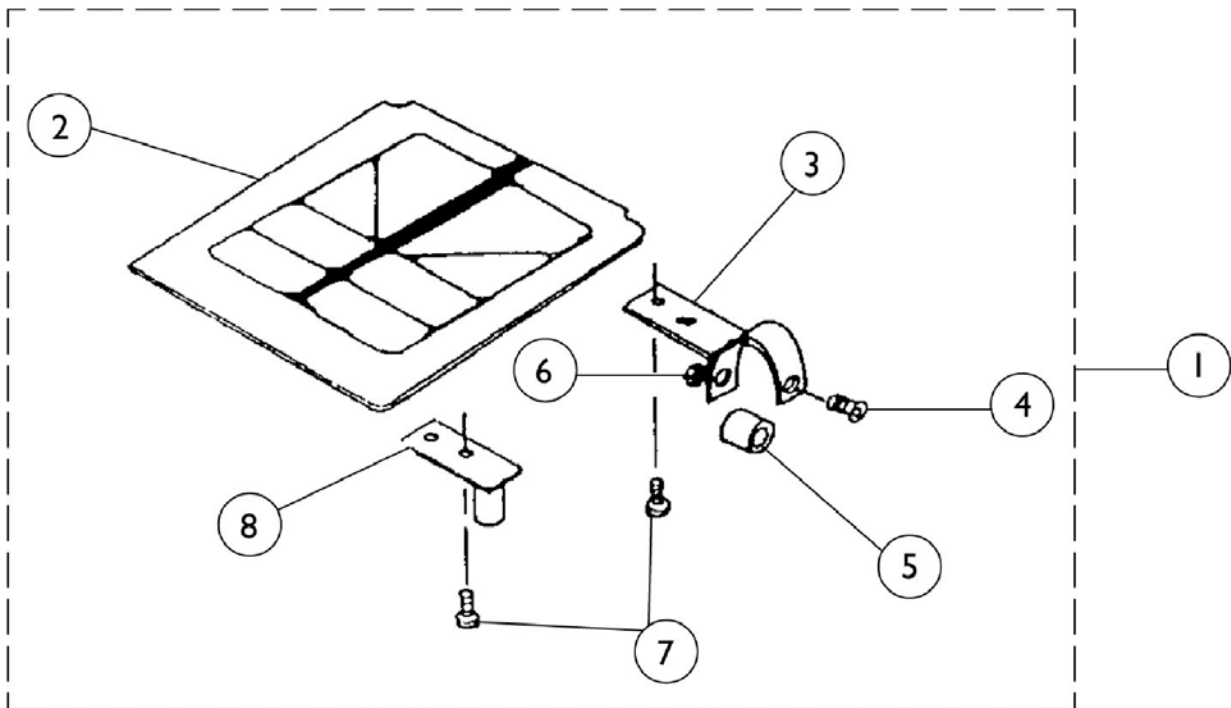
### Item #1 Modified - Deeper Extension

Width	17" Deep	18" Deep
14" Wide	1039994-NLA	1035559
15" Wide	1030001-NLA	1035560-NLA
16" Wide	1030008	1035561
17" Wide	1030015-NLA	1035562-NLA
18" Wide	1030022	1035563
19" Wide	1030029	1035564-NLA
20" Wide	1030036	1035565
21" Wide	1030043	1035566-NLA
22" Wide	1030050	1035567

NOTE: 19" and 20" Depths not available.

NOTE: Specify upholstery color when ordering.

# Seat Upholstery for Multi-Function Frame



## Seat Upholstery for Multi-Function Frame

Item Number	Note	Part Number	Description	Quantity Per	
				Package	Assembly
1	A,B	8881013857	Solid Seat with Hardware	1	1
1	A,C	8881013931	Solid Seat with Hardware	1	1
1	A,D	8881013995	Solid Seat with Hardware	1	1
1	A,E	8881013933	Solid Seat with Hardware	1	1
2	A,B	8881012998	Solid Seat without Hardware	1	1
2	A,C	8881013886	Solid Seat without Hardware	1	1
2	A,D	8881013853	Solid Seat without Hardware	1	1
2	A,E	8881013892	Solid Seat without Hardware	1	1
3		1009768	Seat Clamp, Rear	1	2
4		1008432	Screw, Socket Button Head (1/4-20 x 1-1/4")	1	2
5		47324X011-NLA	Bushing Pivot (5/16 x 7/8 x 3/4")	1	2
6		7930364	Package, Locknut (1/4-20)	25	2
7		18858X007	Screw, Phillips Pan Head (#10-32X3/4")	1	4
8		1009886	Seat Guide, Front	1	2
NOTE: A - Specify color when ordering, see Frame Finishes, Touch-Up Paints, Upholstery Options and Accent Packages page. B - 16" Wide x 16" Deep C - 16" Wide x 17" Deep D - 18" Wide x 16" Deep E - 18" Wide x 17" Deep					

## Solid Seat Inserts (9120)

Non-Recliners	Width x Depth	Recliners	Width x Depth
8881034646	14 x 16	8881034655	14 x 17
8881034648	16 x 16	8881034657	16 x 17
8881034650	18 x 16	8881034659	18 x 17
8881034652	20 x 16	8881034661	20 x 17
8881034654	22 x 16	8881034663	22 x 17
8881034666	16 x 18	8881034675	16 x 19
8881034668	18 x 18	8881034677	18 x 19

NOTE: Solid Seat inserts are not available in sizes over 24" wide x 20" deep.

NOTE: Specify upholstery color when ordering.

Non-Recliners	Modified Width x Depth	Recliners	Modified Width x Depth
8881034664	14 x 18	8881034687	19 x 20
8881034673	14 x 19	1035362-NLA	19 x 21
8881034682	14 x 20	8881034670	20 x 18
8881035357-NLA	14 x 21	8881034679	20 x 19
8881034647	15 x 16	8881034688	20 x 20
8881034656	15 x 17	1035363-NLA	20 x 21
8881034665	15 x 18	8881034653	21 x 16
8881034674	15 x 19	8881034662	21 x 17
8881034683	15 x 20	8881034671	21 x 18
Special	15 x 21	8881034680	21 x 19
8881034684	16 x 20	8881034689	21 x 20
8881035359	16 x 21	8881035364-NLA	21 x 21
8881034649	17 x 16	8881034672	22 x 18
8881034658	17 x 17	8881034681	22 x 19
8881034667	17 x 18	8881034690	22 x 20
8881034676	17 x 19	8881035365-NLA	22 x 21
8881034685	17 x 20	8881034869	23 x 16
1035360-NLA	17 x 21	8881034871	23 x 17
8881034686	18 x 20	8881034873	23 x 18
8881035361	18 x 21	8881034875	23 x 19
8881034651	19 x 16	8881034870	24 x 16
8881034660	19 x 17	8881034872	24 x 17
8881034669	19 x 18	8881034874	24 x 18
8881034678	19 x 19	8881034876	24 x 19

NOTE: Solid Seat inserts are not available in sizes over 24" wide x 20" deep.

NOTE: Specify upholstery color when ordering.

# Solid Clip-On Seat (CSSP) 1/2" Wood Base

## Non-Recliners

(Hardware Not Included)

Width	16" Deep	17" Deep	18" Deep	19" Deep	20" Deep	21" Deep
14" Wide	8881033440	8881033447	8881033457	8881033464	8881033859	8881034921
15" Wide	8881033878	8881033880	8881033882	8881033884	8881033886	8881034922
16" Wide	8881033441	8881033448	8881033458	8881033465	8881033860	8881034923
17" Wide	8881033879	8881033881	8881033883	8881033885	8881033887	8881034924
18" Wide	8881033442	8881033449	8881033459	8881033466	8881033861	8881034925

NOTE: Specify upholstery color when ordering.

## Recliners

(Hardware Not Included)

Width	17" Deep
14" Wide	8881033454
16" Wide	8881033455
18" Wide	8881033456

NOTE: Specify upholstery color when ordering.

## Hardware Package

Part Number	Description
1033821-NLA	Package Includes:
7930327	Screw, Pan Head (10-32 x 1-1/8") (Pkg. of 25)
7930328	Screw, Pan Head (10-32 x 11/16") (Pkg. of 25)
7930332	Locknut, (10-32) (Pkg. of 25)
1026034	Washer, Nylon (13/64 x 7/16 x 1/8")
1025378	Seat Hinge Clip

# Solid Clip-On Seat (SHSHP) 3/4" Wood Base

## Non-Recliner

(Hardware not Included)

Width	16" Deep	17" Deep	18" Deep	19" Deep	20" Deep
14" Wide	N/A	N/A	N/A	N/A	Special
15" Wide	N/A	N/A	N/A	N/A	Special
16" Wide	N/A	N/A	N/A	N/A	Special
17" Wide	N/A	N/A	N/A	N/A	Special
18" Wide	N/A	N/A	8881033459	8881033466	8881033861
19" Wide	8881033443	8881033450	8881033460	8881033467	8881033862
20" Wide	8881033444	8881033451	8881033461	8881033468	8881033863
21" Wide	8881033445	8881033452	8881033462	8881033469	8881033864
22" Wide	8881033446	8881033453	8881033463	8881033470	8881033865
23" Wide	8881033975	8881033977	8881033979	8881033981	8881033866
24" Wide	8881033976	8881033978	8881033980	8881033982	8881033867

NOTE: Specify upholstery color when ordering.

## Recliner

(Hardware not Included)

Width	17" Deep
20" Wide	Special
22" Wide	Special
24" Wide	Special

NOTE: Specify upholstery color when ordering.



# Solid Clip-On Seat (SHSHP) 3/4" Wood Base

## Hardware Package

Part Number	Description
1033821-NLA	Package Includes:
7930327	Screw, Pan Head (10-32 x 1-1/8") (Pkg. of 25)
7930328	Screw, Pan Head (10-32 x 11/16") (Pkg. of 25)
7930332	Locknut (10-32) (Pkg of 25)
1026034	Washer, Nylon (13/64 x 7/16 x 1/8")
1025378	Seat Hinge Clip

# Solid Clip-On Seat (SHSP) 1/2" Wood Base

## Non-Recliners

**(Hardware Not Included)**

Width	16" Deep	17" Deep	18" Deep	19" Deep	20" Deep
14" Wide	8881033831	Special	8881033825	8881033828	N/A
15" Wide	1033896-NLA	1033898-NLA	1033900-NLA	1033902-NLA	N/A
16" Wide	8881033832	Special	8881033826	8881033829	N/A
17" Wide	1033897-NLA	1033899-NLA	1033901-NLA	1033903-NLA	N/A
18" Wide	8881033833	Special	8881033827	8881033830	N/A

NOTE: Specify upholstery color when ordering.

## Recliners

**(Hardware Not Included)**

Width	17" Deep
14" Wide	8881033822
16" Wide	8881033823
18" Wide	8881033824

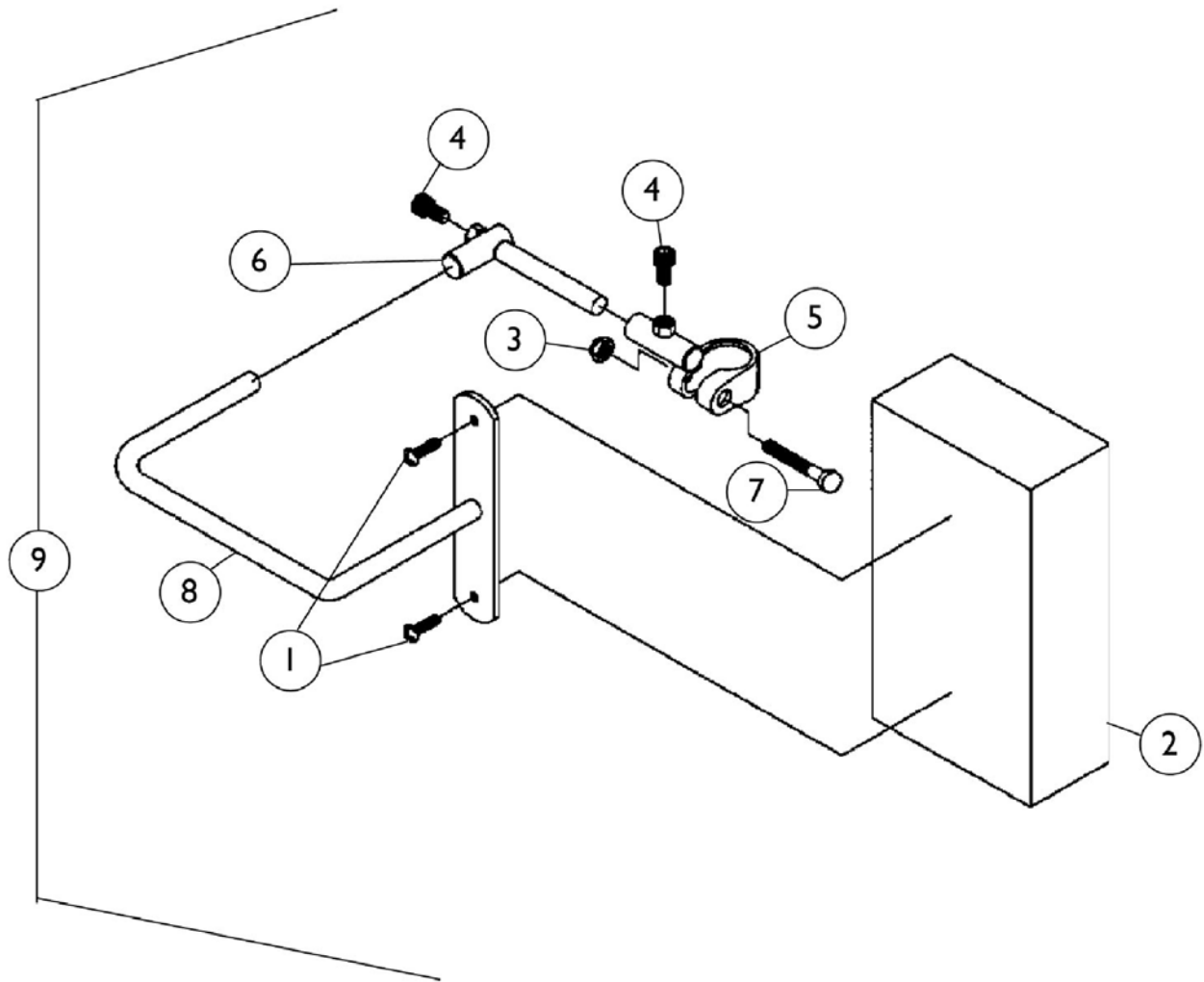
NOTE: Specify upholstery color when ordering.

# Solid Clip-On Seat (SHSP) 1/2" Wood Base

## Hardware Package

Part Number	Description
1033849-NLA	Package Includes:
1016767	Hook
7930327	Screw, Pan Head (10-32 x 1-1/8") (Pkg. of 25)
7930328	Screw, Pan Head, (10-32 x 11/16") (Pkg. of 25)
7930332	Locknut (10-32) (Pkg. of 25)
1026034	Washer, Nylon (13/64 x 7/16 x 1/8")
1028483-NLA	Screw, Phillip Head (10-32 x 1-5/8")
1028579-NLA	Wheel, Lock Link
1028755	Screw, Pan Head (10-32 x 5/8")

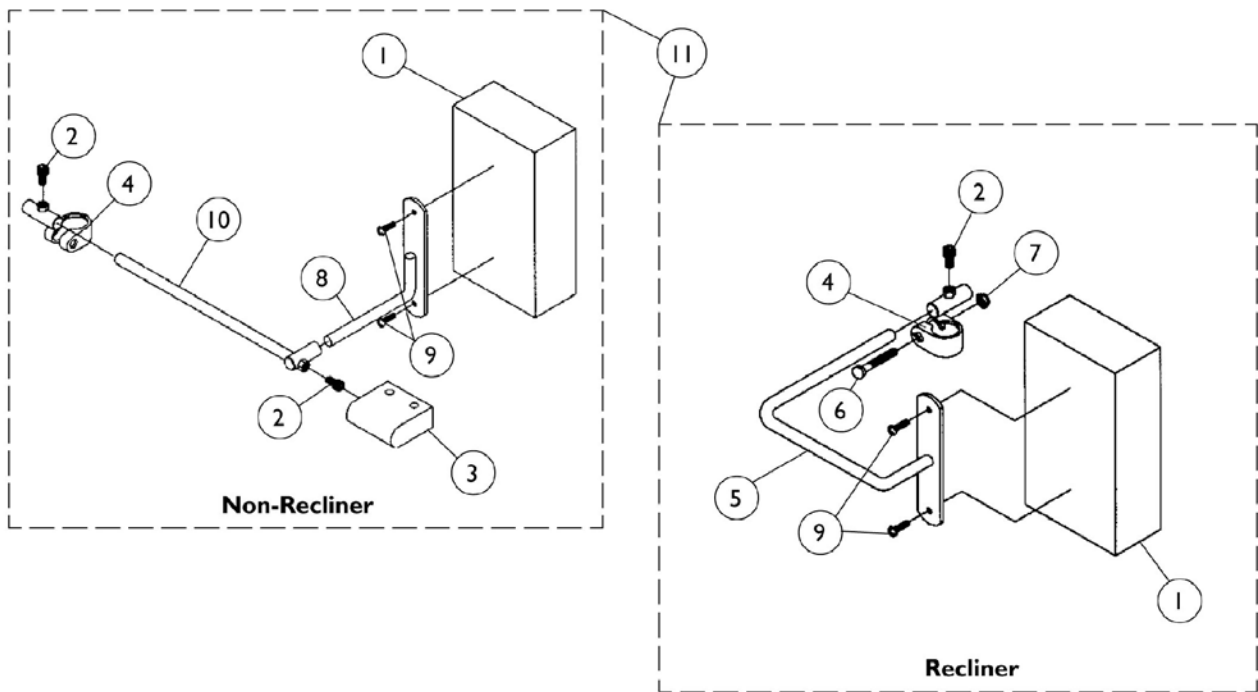
# Adjustable Head Support



## Adjustable Head Support

Item Number	Note	Part Number	Description	Quantity Per	
				Package	Assembly
1		7930360	Screw, Phillips Pan Head (#10-32 x 11/16")	25	2
2	A	88804529X040	Pad Headrest	1	1
3		7930330	Locknut (5/16-24)	25	1
4		1028481	Screw, Socket Head (1/4-20 x 1/2")	1	2
5		1028758	Bracket, Clamp, Black - Right	1	1
5		1028759	Bracket, Clamp, Black - Left	1	1
6		03018X042	Bracket Assembly, Chrome	1	1
7		1031026	Screw w/ Lug (5/16-24 x 1-3/8")	1	1
8	C	03018X045	Bracket, Pad Support, Chrome	1	1
8	D	03018X044	Bracket, Pad Support, Chrome	1	1
9	A	8881044754	Head Support Assembly, Adjustable, Non-Recliner (Pair)	2	1
9	A	8881044756	Head Support Assembly, Adjustable, Recliner (Pair)	2	1
	B	1023610	Instruction Sheet	1	1
NOTE: A - Specify color when ordering, see Frame Finishes, Touch-Up Paints, Upholstery Options and Accent Packages page. B - Not Shown C - Non-Recliner D - Recliner					

# Adjustable Torso Support



## Adjustable Torso Support

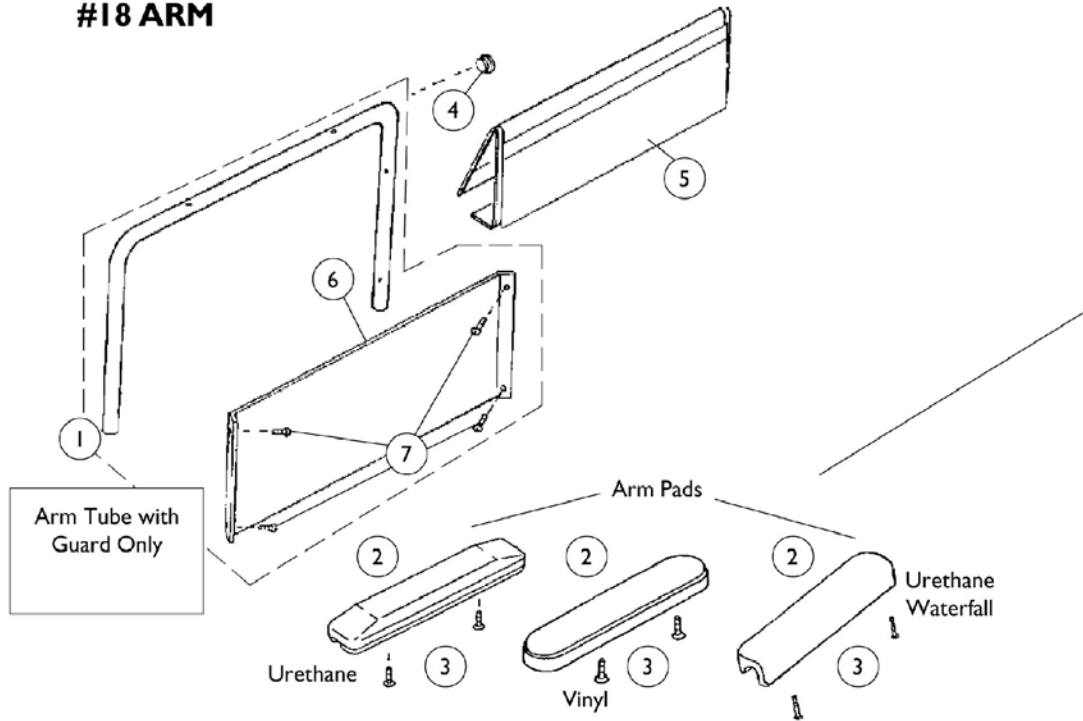
Item Number	Note	Part Number	Description	Quantity Per	
				Package	Assembly
1	A	88804529X040	Pad Headrest	1	1
2		1028481	Screw, Socket Head (1/4-20 x 1/2")	1	2
3	A	88804529X043	Cover Torso Bracket	1	1
4		1028758	Bracket, Clamp, Black - Right	1	1
4		1028759	Bracket, Clamp, Black - Left	1	1
5		03018X041	Bracket, Pad Support, Chrome	1	1
6		1031026	Screw w/ Lug (5/16-24 x 1-3/8")	1	1
7		7930330	Locknut (5/16-24)	25	1
8		03018X016	Bracket, Support, Chrome	1	1
9		7930328	Screw, Phillips Pan Head (#10-32 x 11/16")	25	2
10		03018X012-NLA	Rod Support w/ Guide Tube	1	1
11	A	8881044753	Torso Support Assembly, Adjustable, Non-Recliner (Pair)	2	1
11	A	8881044755	Torso Support Assembly, Adjustable, Recliner (Pair)	2	1
	B	1023610	Instruction Sheet	1	1

NOTE: A - Specify color when ordering, see Frame Finishes, Touch-Up Paints, Upholstery Options and Accent Packages page.  
B - Not Shown

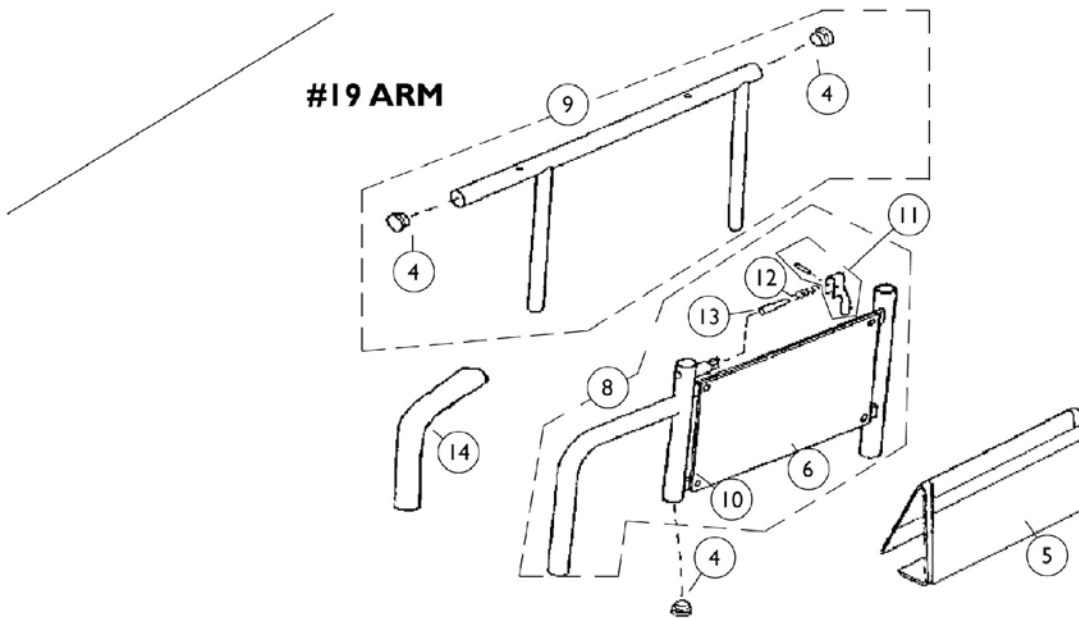
# Arm Assemblies - Full

## For Standard, Tall, and Wide Chairs

### #18 ARM



### #19 ARM





## Arm Assemblies - Full For Standard, Tall, and Wide Chairs

Item Number	Note	Part Number	Description	Quantity Per	
				Package	Assembly
1	A,E	1029729-NLA	Arm Tube with Clothing Guard, Fixed Height (Chrome) Right or Left	1	1
1	A,E	1028573-NLA	Arm Tube with Clothing Guard, Fixed Height (Black) Right or Left	1	1
2		1030351	Arm Pad, Full Length Urethane, Grey (15" L x 2" W)	1	1
2	D	1117328	Arm Pad, Full Length, Urethane Waterfall with Screws, Black (13" L x 2-5/8" W)	1	1
2		1110818	Arm Pads, Full Length, Urethane Waterfall with Screws, Black (13" L x 2-5/8" W) (Pair)	2	1
2	B	8881015932	Arm Pad, Vinyl, Full Length (14" L x 2" W) - Right	1	1
2	B	8881015933	Arm Pad, Vinyl, Full Length (14" L x 2" W) - Left	1	1
3	H	7930327	Screw, Phillips Pan Head (#10-32 x 1-1/8")	25	2
3	I	1026107	Screw, Phillips Pan Head (#10-32 x 1-3/8")	1	2
3	J,K	1094270	Screw, Phillips Pan Head (#10-32 x 1-1/4") (Pair)	2	1
4		1027095	Plug Button, Black (7/8")	1	1
5		1029201	Cover, Clothing Guard with Pocket, Full Fixed Arm	1	1
5		1029200	Cover, Clothing Guard with Pocket, Adjustable Arm	1	1
6		47234X001	Guard Clothing, (Chrome) Full Fixed Arm	1	1
6		47234X045	Guard Clothing, (Chrome)	1	1
6		47234X064-NLA	Guard, Clothing (Black) Full Fixed Arm	1	1
6		47234X066	Guard, Clothing (Black) Adjustable Arm	1	1
7		1025729	Screw, Self Tapping Pan Head (#8-32 x 3/8")	1	4
8	F,L	1030345	Arm Assembly, Lower Adjustable Height, Silver Vein - Right	1	1
8	F,L	1030346	Arm Assembly, Lower Adjustable Height, Silver Vein - Left	1	1
8	F	1028646	Arm Assembly, Lower Adjustable Height (Black), Right	1	1
8	F	1028647	Arm Assembly, Lower Adjustable Height (Black), Left	1	1
9	G	1041522	Arm Tube, Upper with Plug Buttons (Black) - Full Length	1	1
10		10351X001	Rivet	1	4
11		1090768	Kit, Lock Handle w/Rivets (both LT & RT side)	2	1
12		47471X074	Spring, Arm Lock	1	1
13		1028594	Pin, Arm Lock	1	1
14	C	1032245	Grip, Foam Hand (6-7/8" Long)	1	1

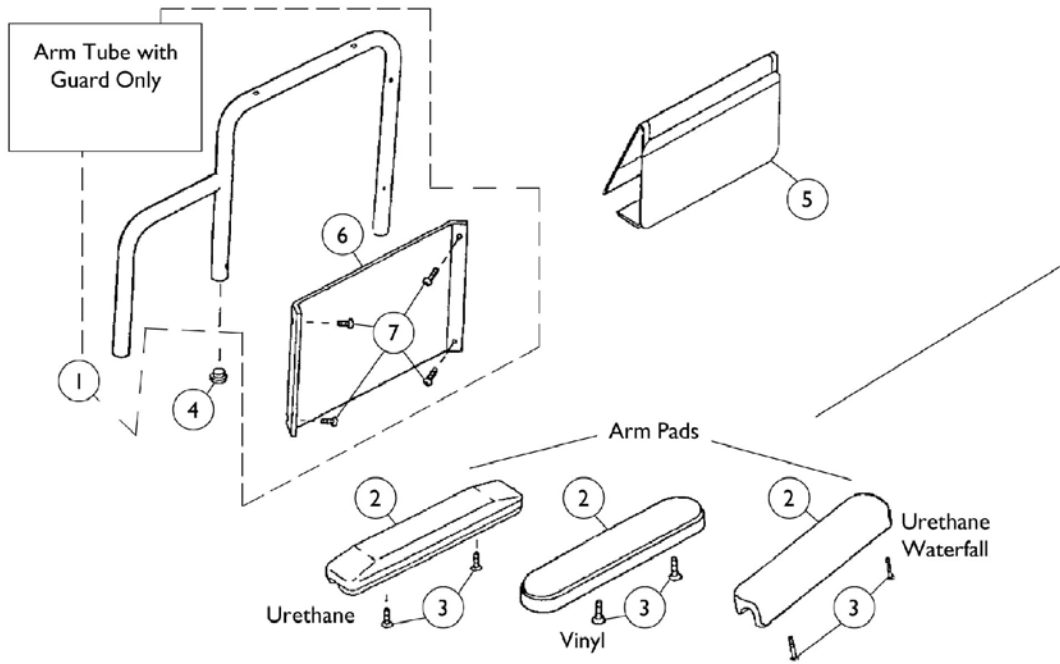
## **Arm Assemblies - Full For Standard, Tall, and Wide Chairs**

NOTE: A - Arm tubes are universal (right or left) after July 1992. Arm tube is retrofitable.  
B - Specify upholstery color when ordering, see Frame Finishes, Touch-Up Paints, Upholstery Options and Accent Packages page.  
C - Foam Grip 1 Pad with ribbed edges are no longer available  
D - As of 1/3/02 upholstered waterfall armpads were replaced with black urethane waterfall armpads. Order in pairs with screws for chairs serviced before 1/3/02.  
E - Includes items 6 and 7  
F - Includes items 6 and 10-13  
G - Includes item 4  
H - Vinyl Arm Pad  
I - Urethane Pad, Grey  
J - Pair  
K - For Black Urethane Waterfall Arms Pads Only  
L - As of 7/6/07, chrome finish option is discontinued and no longer available.

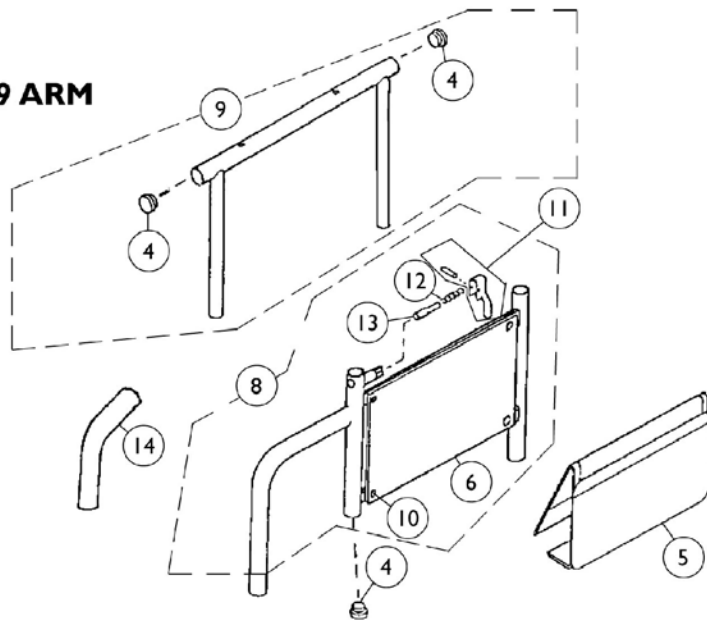
# Arm Assemblies - Desk

## For Standard, Tall, and Wide Chairs

### #28 ARM



### #29 ARM



## Arm Assemblies - Desk For Standard, Tall, and Wide Chairs

Item Number	Note	Part Number	Description	Quantity Per	
				Package	Assembly
1	D	1029731	Arm Tube with Clothing Guard, Fixed Height, Desk Length (Chrome) - Right	1	1
1	D	1029732	Arm Tube with Clothing Guard, Fixed Height, Desk Length (Chrome) - Left	1	1
1	D	1028637	Arm Tube with Clothing Guard, Fixed Height (Black), Right	1	1
1	D	1028638	Arm Tube with Clothing Guard, Fixed Height (Black), Left	1	1
2		1030352	Arm Pad, Desk Length Urethane , Grey (9"L x 2"W)	1	1
2	C	1117327	Arm Pad, Desk Length, Urethane Waterfall with Screws, Black (9" L x 2-5/8" W)	1	1
2		1110817	Arm Pads, Desk Length, Urethane Waterfall with Screws, Black (9" L x 2-5/8" W) (Pair)	2	1
2	A	8881011811	Arm Pad, Vinyl, Desk Length (9" L x 2" W)	1	1
3	H	7930327	Screw, Phillips Pan Head (#10-32 x 1-1/8")	25	2
3	I	1026107	Screw, Phillips Pan Head (#10-32 x 1-3/8")	1	2
3	G	1094270	Screw, Phillips Pan Head (#10-32 x 1-1/4") (Pair)	2	1
4		1027095	Plug Button, Black (7/8")	1	2
5		1029200	Cover, Clothing Guard with Pocket, Adjustable Arm	1	1
6		47234X002	Guard Clothing, (Chrome) Desk Fixed Arm	1	1
6		47234X045	Guard Clothing, (Chrome)	1	1
6		47234X065	Guard, Clothing (Black) Desk Fixed Arm	1	1
6		47234X066	Guard, Clothing (Black) Adjustable Arm	1	1
7		1025729	Screw, Self Tapping Pan Head (#8-32 x 3/8")	1	4
8	E	1030345	Arm Assembly, Lower Adjustable Height, Silver Vein - Right	1	1
8	E	1030346	Arm Assembly, Lower Adjustable Height, Silver Vein - Left	1	1
8	E	1028646	Arm Assembly, Lower Adjustable Height (Black), Right	1	1
8	E	1028647	Arm Assembly, Lower Adjustable Height (Black), Left	1	1
9	F	1070859	Arm Tube, Upper with Plug Buttons (Black) - Desk Length	1	1
10		10351X001	Rivet	1	4
11		1090768	Kit, Lock Handle w/Rivets (both LT & RT side)	2	1
12		47471X074	Spring, Arm Lock	1	1
13		1028594	Pin, Arm Lock	1	1
14	B	1032245	Grip, Foam Hand (6-7/8" Long)	1	1

## **Arm Assemblies - Desk For Standard, Tall, and Wide Chairs**

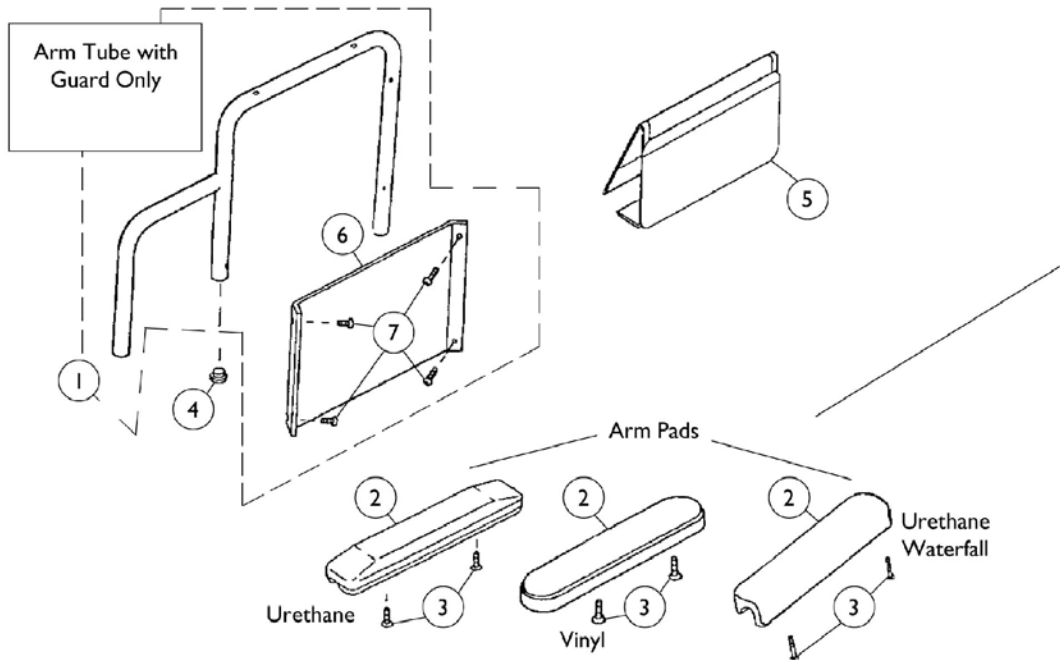
NOTE: A - Specify upholstery color when ordering, see Frame Finishes, Touch-Up Paints, Upholstery Options and Accent Packages page.  
B - Foam Grip/Pad with ribbed edges are no longer available. 1032245 is retrofittable.  
C - As of 1/3/02 upholstered waterfall arm pads were replaced with black urethane waterfall arm pads. Order in pairs with screws for chairs serviced before 1/3/02.  
D - Includes items 6 and 7  
E - Includes items 6 and 10-13  
F - Includes item 4  
G - For Black Urethane Waterfall Arm Pads only  
H - Vinyl Arm Pad  
I - Urethane Pad, Grey

# Arm Assemblies

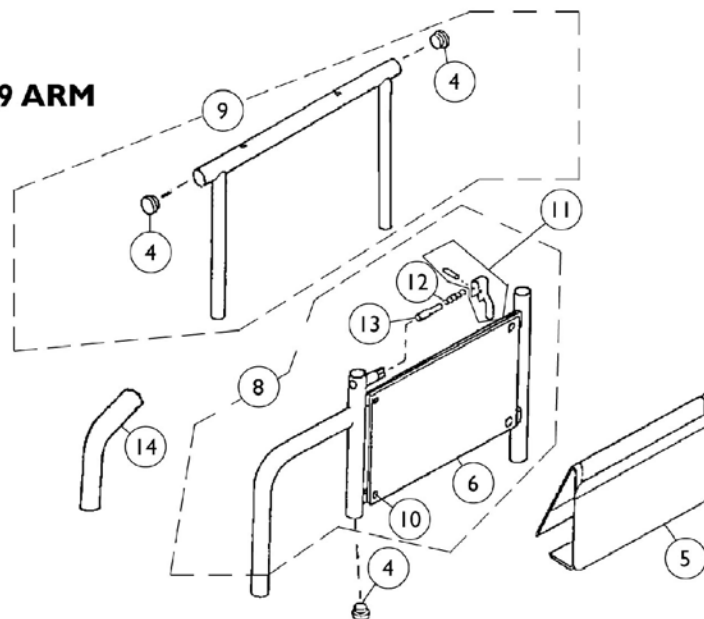
## Full and Desk For 2" Lower Arms

**NOTE:** Desk length arms shown for reference. This page refers to both full and desk length 2" lower arm assemblies.

### #28 ARM



### #29 ARM



## Arm Assemblies

### Full and Desk For 2" Lower Arms

**NOTE: Desk length arms shown for reference. This page refers to both full and desk length 2" lower arm assemblies.**

Item Number	Note	Part Number	Description	Quantity Per	
				Package	Assembly
1	E	1035475	Desk Arm Tube with Clothing Guard, Fixed Height (Chrome) Right	1	1
1	E	1035476	Desk Arm Tube with Clothing Guard, Fixed Height (Chrome) Left	1	1
1	E	1035473-NLA	Desk Arm Tube with Clothing Guard, Fixed Height (Black) Right	1	1
1	E	1035474-NLA	Desk Arm Tube with Clothing Guard, Fixed Height (Black) Left	1	1
2		1030351	Arm Pad, Full Length Urethane, Grey (15" L x 2" W)	1	1
2	D	1117328	Arm Pad, Full Length, Urethane Waterfall with Screws, Black (13" L x 2-5/8" W)	1	1
2		1110818	Arm Pads, Full Length, Urethane Waterfall with Screws, Black (13" L x 2-5/8" W) (Pair)	2	1
2	A	8881015932	Arm Pad, Vinyl, Full Length (14" L x 2" W) - Right	1	1
2	A	8881015933	Arm Pad, Vinyl, Full Length (14" L x 2" W) - Left	1	1
2		1030352	Arm Pad, Desk Length Urethane , Grey (9"L x 2"W)	1	1
2	D	1117327	Arm Pad, Desk Length, Urethane Waterfall with Screws, Black (9" L x 2-5/8" W)	1	1
2		1110817	Arm Pads, Desk Length, Urethane Waterfall with Screws, Black (9" L x 2-5/8" W) (Pair)	2	1
2	A	8881011811	Arm Pad, Vinyl, Desk Length (9" L x 2" W)	1	1
3	J	7930327	Screw, Phillips Pan Head (#10-32 x 1-1/8")	25	2
3	K	1026107	Screw, Phillips Pan Head (#10-32 x 1-3/8")	1	2
3	F	1094270	Screw, Phillips Pan Head (#10-32 x 1-1/4") (Pair)	2	1
4		1027095	Plug Button, Black (7/8")	1	2
5		1035065	Cover, Clothing Guard with Pocket - For Fixed Height Desk Length & Adjustable Height Full/Desk Length	1	1
6		1034635	Guard Clothing (Chrome) Desk Fixed Arm	1	1
6	C,L	1064130	Clothing Guard	1	1
6		1035472	Clothing Guard, Desk Length	1	1
6	C,L	1064130	Clothing Guard	1	1
7		1025729	Screw, Self Tapping Pan Head (#8-32 x 3/8")	1	4
8	C,G	1034936-NLA	Arm Assembly, Lower Adjustable Height (Chrome), Right	1	1
8	C,G	1034937-NLA	Arm Assembly, Lower Adjustable Height (Chrome), Left	1	1
8	C,G	1034934	Arm Assembly, Lower Adjustable Height (Black), Right	1	1
8	C,G	1034935	Arm Assembly, Lower Adjustable Height (Black), Left	1	1

## Arm Assemblies

### Full and Desk For 2" Lower Arms

**NOTE: Desk length arms shown for reference. This page refers to both full and desk length 2" lower arm assemblies.**

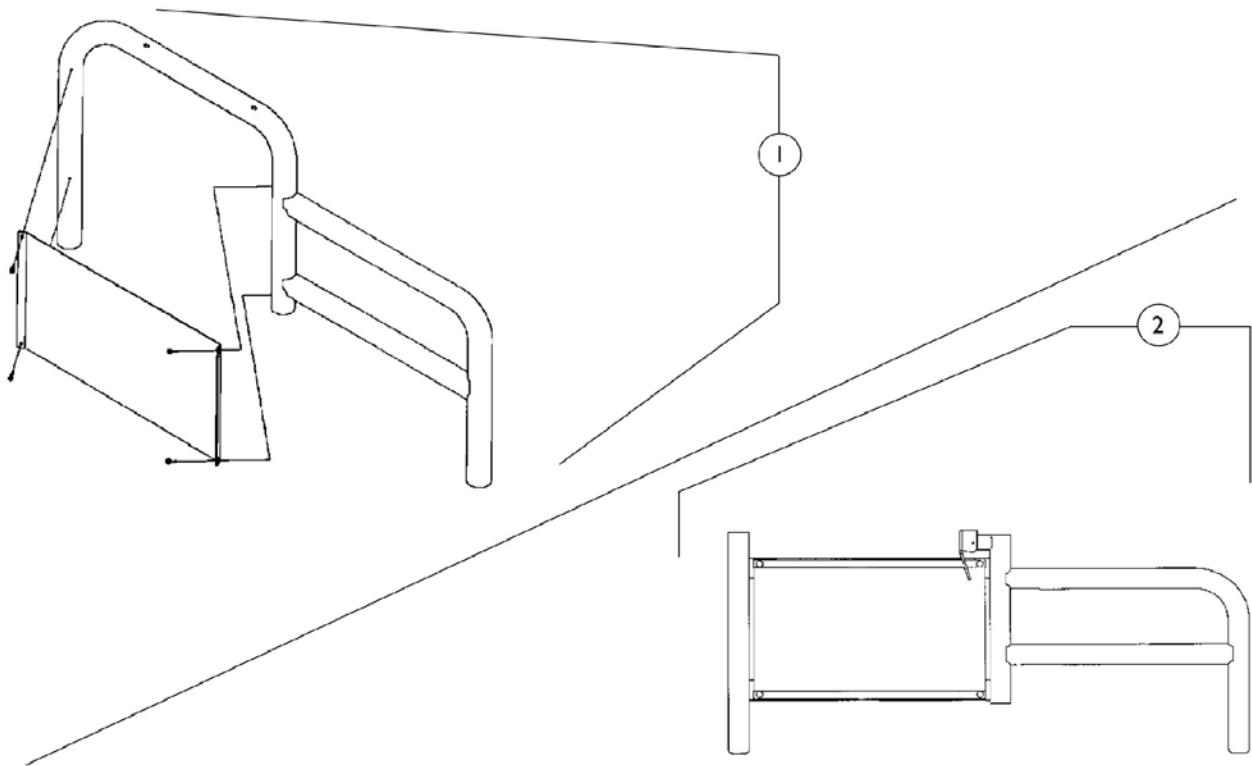
Item Number	Note	Part Number	Description	Quantity Per	
				Package	Assembly
9	H	1041522	Arm Tube, Upper with Plug Buttons (Black) - Full Length	1	4
9	H	1070859	Arm Tube, Upper with Plug Buttons (Black) - Desk Length	1	1
10	I	1028645	Rivet	1	6
11		1090768	Kit, Lock Handle w/Rivets (both LT & RT side)	2	1
12		47471X074	Spring, Arm Lock	1	1
13		1028594	Pin, Arm Lock	1	1
14	B	1032245	Grip, Foam Hand (6-7/8" Long)	1	1

**NOTE:** A - Specify upholstery color when ordering, see Frame Finishes, Touch-Up Paints, Upholstery Options and Accent Packages page.  
 B - Foam grip 1 pad with ribbed edges are no longer available. 1032245 is retrofittable.  
 C - Stainless steel clothing guards were replaced with ABS plastic. Chairs manufactured before 7/30/97 should be ordered in pairs to match.  
 D - As of 1/3/02 upholstered waterfall armpads were replaced with black urethane waterfall armpads. Order in pairs with screws for chairs serviced before 1/3/02.  
 E - Includes items 6 and 7  
 F - For Black Urethane Waterfall Arm Pads only.  
 G - Includes items 6 and 10-13  
 H - Includes item 4  
 I - Adjustable height arms require quantity of 6  
 J - Vinyl Arm Pad  
 K - Urethane Pad, Grey  
 L - Used for both Chrome and Black



# Arm Assemblies

For 4" Deeper by Construction Chairs



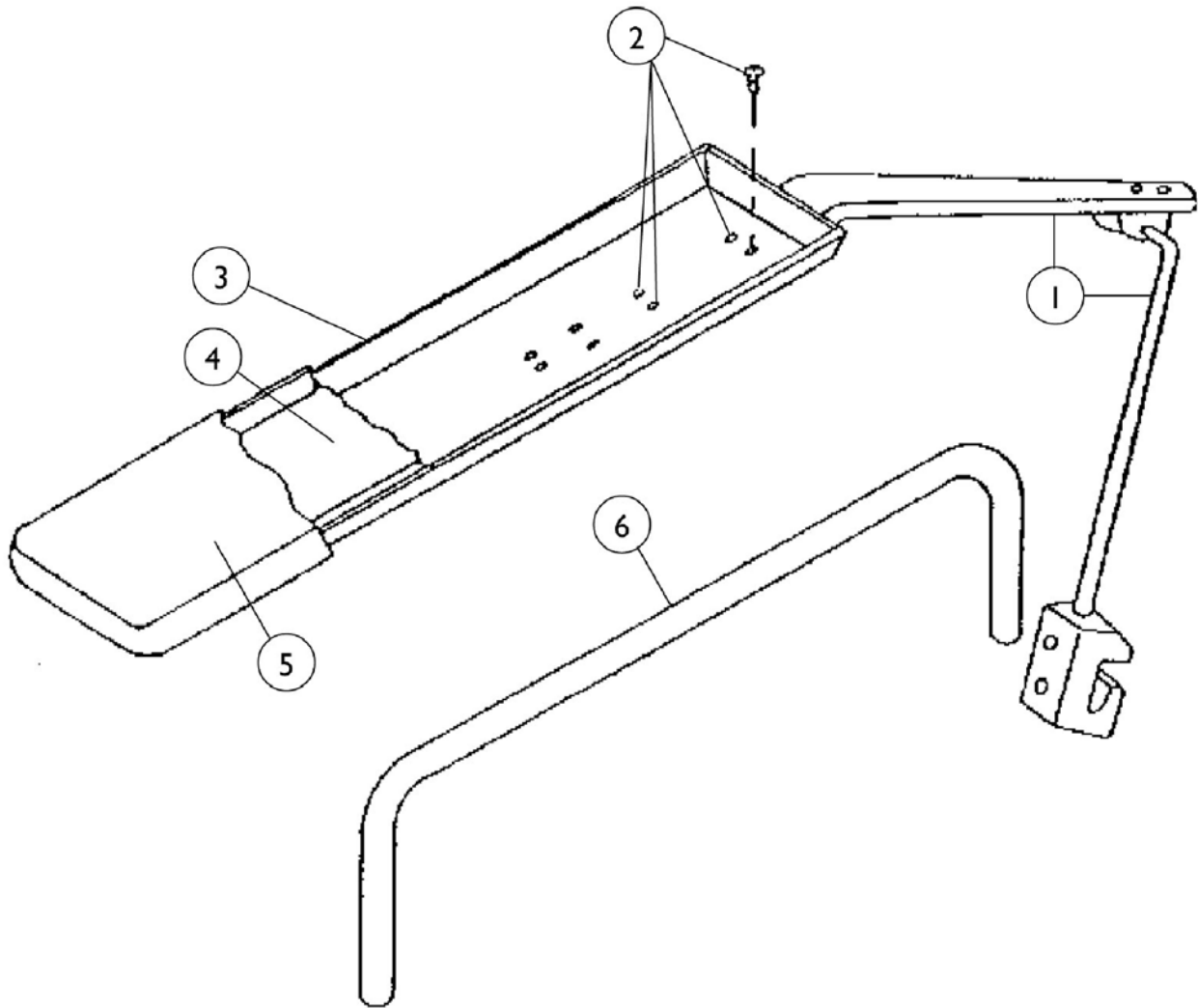
## Arm Assemblies

### For 4" Deeper by Construction Chairs

Item Number	Note	Part Number	Description	Quantity Per	
				Package	Assembly
1		1034901	Desk Arm Tube with Guard, Fixed Height without Arm Pad, Guard Cover and Plug Button (Chrome), Right	1	1
1		1034902	Desk Arm Tube with Guard, Fixed Height without Arm Pad, Guard Cover and Plug Button (Chrome), Left	1	1
1		1034903	Desk Arm Tube with Guard, Fixed Height without Arm Pad, Guard Cover and Plug Button (Black), Right	1	1
1		1034904	Desk Arm Tube with Guard, Fixed Height without Arm Pad, Guard Cover and Plug Button (Black), Left	1	1
2		1034891	Arm Base Assembly with Guard, Adjustable Height without Arm Top (Chrome), Right	1	1
2		1034892	Arm Base Assembly with Guard, Adjustable Height without Arm Top (Chrome), Left	1	1
2		1034893	Arm Base Assembly with Guard, Adjustable Height without Arm Top (Black), Right	1	1
2		1034894	Arm Base Assembly with Guard, Adjustable Height without Arm Top (Black), Left	1	1

NOTE: Individual arm parts are called out on the "Arm Assemblies - Full" page.

# Trough Arms

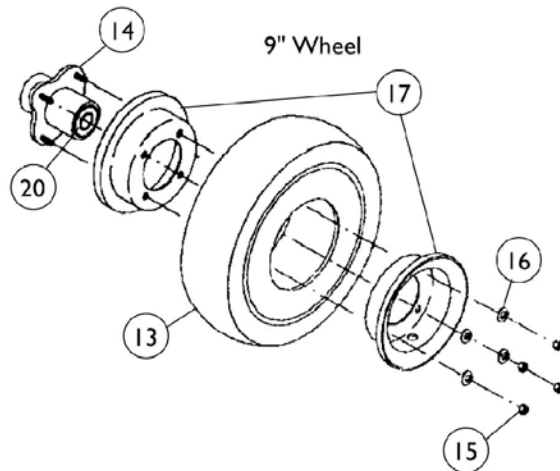
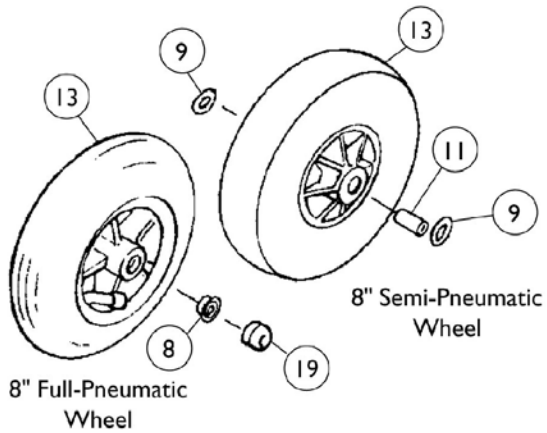
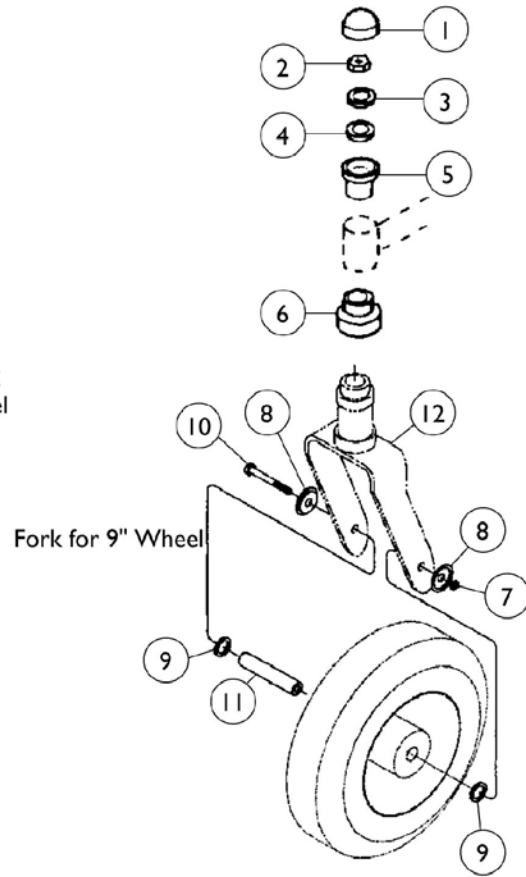
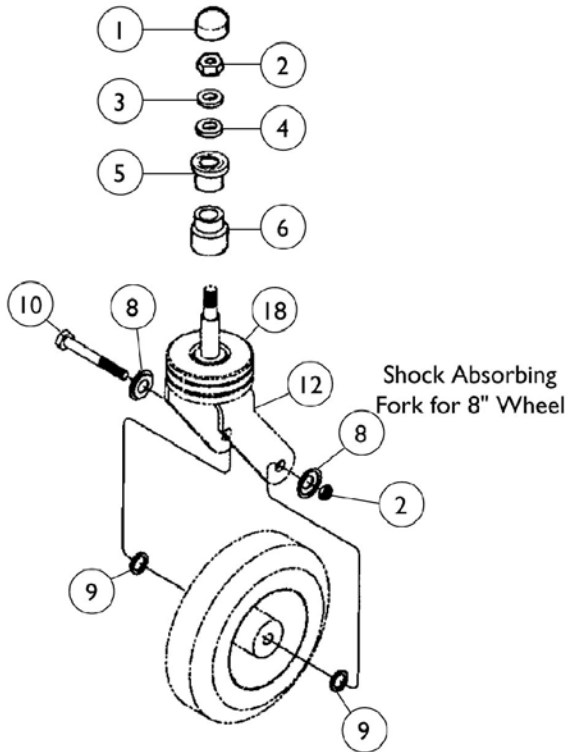


## Trough Arms

Item Number	Note	Part Number	Description	Quantity Per	
				Package	Assembly
1	A	05501X068	Cantilever Arm, Right	1	1
1	A	05501X067-NLA	Cantilever Arm, Left	1	1
2		60285X013	Screw, Socket Button Head (#10-32 x 1/2")	1	4
3		47071X406-NLA	Arm Trough	1	1
4		43022X183	Foam Pad	1	1
5		1002850	Arm Trough Cover, Right	1	1
5		1002849	Arm Trough Cover, Left	1	1
6		1029258-NLA	Arm Tube	1	1

NOTE: A - Items 2-6 not included

# Front Caster and Forks



## Front Caster and Forks

Item Number	Note	Part Number	Description	Quantity Per	
				Package	Assembly
1		1001843	Cap, Head Tube (Black)	1	1
2		7930331	Locknut (7/16-20")	1	1
3		40014X044	Washer, Nylon (7/16 x 1 x 1/8")	1	1
4		1006049	Bearing (7/16")	1	1
5		57768X030	Sleeve, Aluminum	1	1
6		1029703	Sleeve Bottom with Bearing	1	1
7		7930330	Locknut (5/16-24)	1	1
8	C	1016289	Washer, Caplugs (15/32" I.D. x 1-3/32" O.D.)	1	1
8	B	1028491	Washer, Caplugs (11/32" I.D. x 1" O.D.)	1	1
9	A,C	7930312	Washer	1	2
9	A,B	1027794	Washer, Flat	1	2
10	C	1025726	Screw, Hex Head (7/16-20 x 3-1/4")	1	1
10	B	1027795	Axle, Hex Head (5/16-24 x 4")	1	1
11	B	1027712	Axle Reducer	1	1
12		See Chart	#12 Caster Forks	1	1
13		See Chart	#13 Caster Wheels	1	1
14		1013466	Hub with Bearings	1	4
15		1024426	Nut, Hex (5/16-24)	1	4
16		1024442	Washer, Lock (5/16 x 9/16 x 1/16")	1	1
17		1025399	Rim, Outer/Inner half with Hardware-9"	1	1
18		1028669	Boot Fork	1	1
19		1028490	Hub Cap, Grey	1	1
19		1028488	Hub Cap, Teal	1	1
19		1028489-NLA	Hub Cap, Lavender	1	1
19	D	1028835	Cap, Hub (Black)	1	1
20		1015610	Bearing with Grip Ring (5/8")	1	1

NOTE: A - Used with Accent Hub Caps  
 B - For 9" Wheel  
 C - For 8" Wheel  
 D - For the Red Accent Package

### Item #12 Caster Forks

Description	Black Finish	Chrome Finish	Color Finish
Ranger Fork	1029705 See Note(s) A	N/A	N/A
Shock Absorbing Fork for 8" Wheel	1040339	04540X251 See Note(s) B	8881040340
Fork for 9" Wheel	1040337	N/A	8881040338

NOTE: A - Standard on Ranger  
 B - Chrome forks do not come with fork boot, they must be ordered separately.

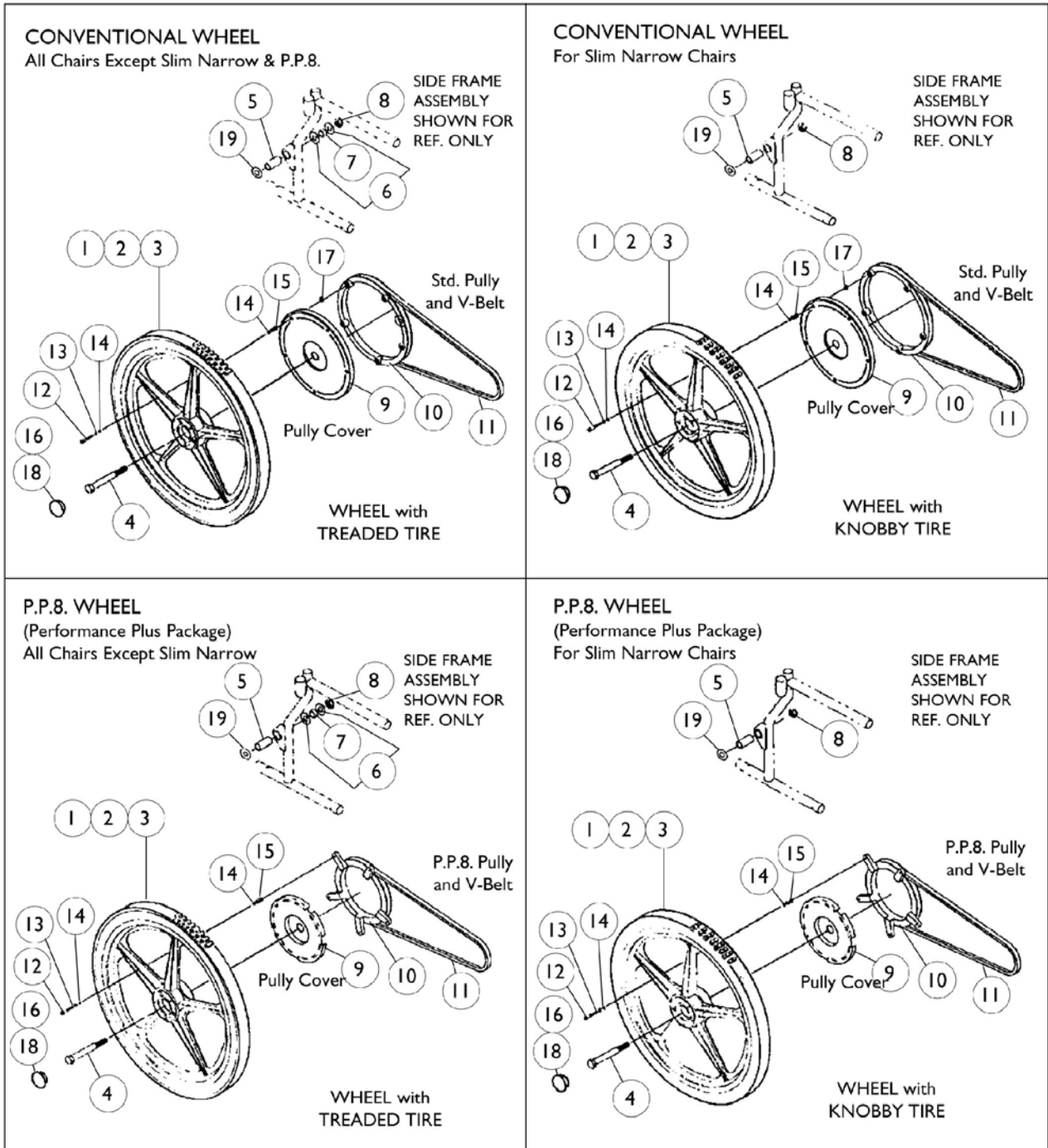
# Front Caster and Forks

## Item #13 Caster Wheels

Description	8 x 1-3/4" Wheel, Semi-Pneumatic	8 x 1-3/4" Wheel, Semi-Pneumatic	8 x 2" Wheel, Full Pneumatic	9x2-3/4" Wheel, Full Pneumatic	9x2-3/4" Wheel, w/Flat Free Insert
Wheel w/Bearings Pair	Before 6/9/97	1071666 See Note(s) B	N/A	N/A	N/A
Wheel w/Bearings Piece	1006058-NLA	1070811 See Note(s) B	1002002	1025400	1029871
Replacement Tire	N/A	N/A	40176X034	1027418	1028896
Replacement Tube	N/A	N/A	1034942	1027417	N/A See Note(s) A
Hub Bearing	1006049	1006049	1006049	N/A	N/A
Hub Spacer	1020592	1020592	1020592	N/A	N/A

NOTE: A - Tire comes with insert molded inside.  
B - For chairs manufactured before 6/9/97, order the replacement number 1071666.

# Rear Wheels





## Rear Wheels

Item Number	Note	Part Number	Description	Quantity Per	
				Package	Assembly
1-3	C	See Chart	Rear Wheels, Tires and Tube Insert	1	1
4		1029749	Screw, Hex Head ( 5/8-18 x 5-3/4")	1	1
4	A	1028554	Screw, Hex Head (5/8-18 x 5")	1	1
5		1028551	Spacer (5/8 x 7/8 x 1-3/4")	1	1
6		1028556	Washer, Flat (21/32 x 1-5/16 x 3/32")	1	2
7		1028555	Spacer (5/8 x 7/8 x 3/8")	1	1
8		1028550	Locknut (5/8-18)	1	1
9		1028667-NLA	Pulley Cover, Standard (10-17/32") Diameter	1	1
9		1028668-NLA	Pulley Cover, P.P.8 (7-25/32") Diameter	1	1
10	F	1004093	Pulley, Standard (10-17/32") Diameter	1	1
10	F	1007102-NLA	Pulley, P.P.8 (7-25/32") Diameter	1	1
11		1004107	V-Belt, Standard (4M & 5M Size AX51)	1	1
11		1005900	V-Belt, 2" Lower (4M & 5M Size AX52)	1	1
11		1007299-NLA	V-Belt, P.P.8 (4M & 5M Size AX46 )	1	1
11		1004855	V-Belt, Recliner (4M & 5M Size AX56)	1	1
11		50000X356	V-Belt, Recliner, 2" Lower (4M & 5M Size AX55)	1	1
12		1038379	Screw, Socket Head Cap w/ Patch (1/4-20 x 1-1/2")	1	5
13		1013970	Lockwasher, High Collar (1/4")	1	5
14		1013971	Washer, Nylon (1/4 x 7/16 x 5/64")	1	5
15	E	1028553	Spacer (1/4 x 3/8 x 3/4")	1	5
15	D	1029286-NLA	Spacer (1/4 x 3/8 x 5/8")	1	1
16		1027954-NLA	Hub Cap, Grey	1	1
16		1027955-NLA	Hub Cap, Teal	1	1
16	B	1027953-NLA	Hub Cap, Black Hub	1	1
17		1035423	O'Ring (5/16 x 5/8")	1	5
18		1029752-NLA	Lock Ring, Hub Cap	1	1
19	G	1027794	Washer, Flat	1	2
	H	40117X006	Bearing (5/8")	1	1
	H	1004313-NLA	Spacer, Nylon	1	1

NOTE: A - Used on MFF, Manual Recline and Slim Narrow  
 B - Black hub caps are used when red or lavender caps are requested  
 C - Rear wheel is supplied with 2 bearings (40117X006) and 1 spacer (1004313 NLA)  
 D - P.P.8 Pully  
 E - Standard Pully  
 F - 20" Wheel  
 G - 2" lower chairs ONLY  
 H - Not Shown

### Rear Wheels, Tires and Tube Insert

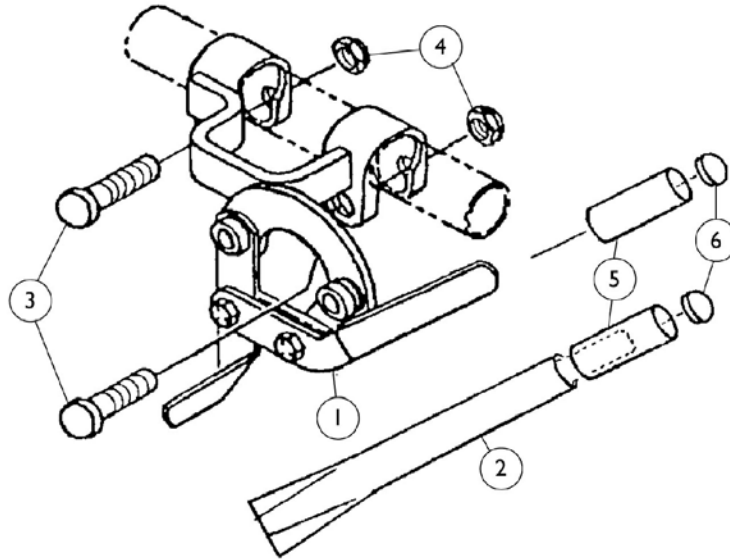
Description 20" Wheel with	Item #1 20" Wheel Only No Pulley	Item #1 20" Wheel Standard Pulley & Pulley Cover	Item #1 20" Wheel with PP8 Pulley & Pulley Cover	Item #2 Tire Part	Item #3 Tube Insert
Treaded Tire	1030407-NLA	1037179-NLA	1037182-NLA	1006858-NLA	40176X071-NLA

# Rear Wheels

## Rear Wheels, Tires and Tube Insert

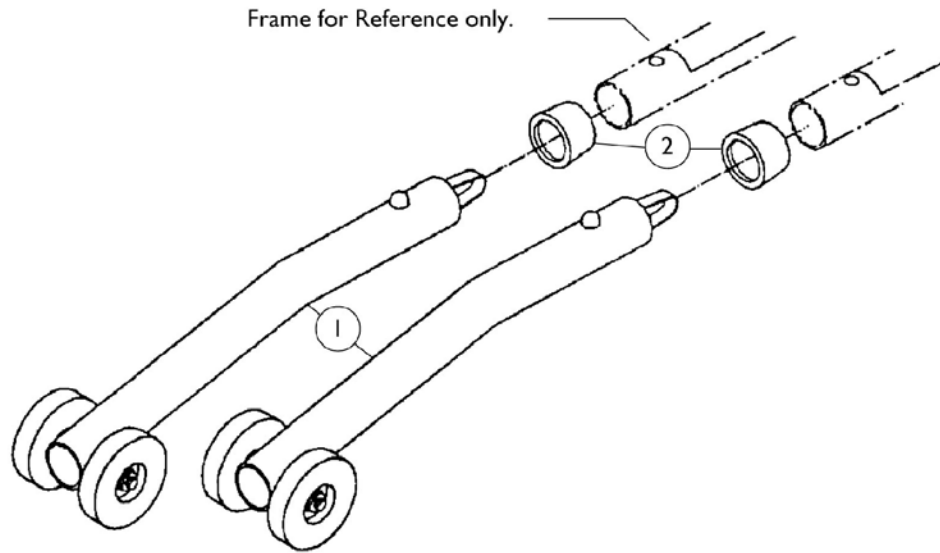
Description 20" Wheel with	Item #1 20" Wheel Only No Pulley	Item #1 20" Wheel Standard Pulley & Pulley Cover	Item #1 20" Wheel with PP8 Pulley & Pulley Cover	Item #2 Tire Part	Item #3 Tube Insert
Knobby Tire	1030406-NLA	1037180-NLA	1037183-NLA	40176X072-NLA	40176X071-NLA
Treaded Tire w/ Flat Free Insert	1030408-NLA	1037181-NLA	1037184-NLA	1006858-NLA	1010905-NLA

# Wheel Lock Assembly



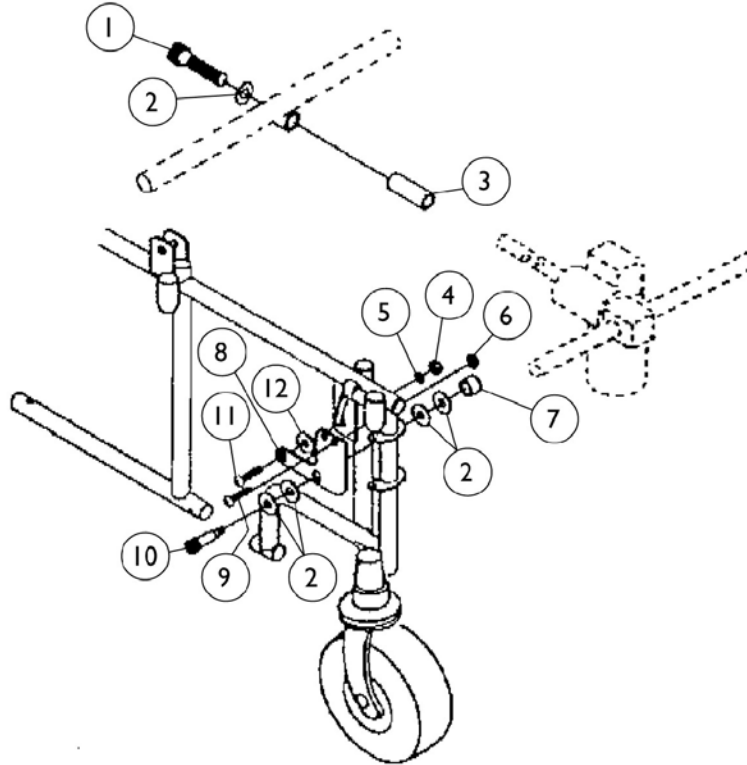
Item Number	Note	Part Number	Description	Quantity Per	
				Package	Assembly
1		1028585-NLA	Wheel Lock, Less Lever Grip and Tip, Standard Configuration, Pull to Lock, Right	1	1
1		1028586-NLA	Wheel Lock, Less Lever Grip and Tip, Standard Configuration, Pull to Lock, Left	1	1
1		1043324-NLA	Wheel Lock, Less Lever Grip and Tip, Tall Configuration, Push to Lock, Right	1	1
1		1043323-NLA	Wheel Lock, Less Lever Grip and Tip, Tall Configuration, Push to Lock, Left	1	1
1		1034932-NLA	Wheel Lock, Less Lever Grip and Tip, 2" Lower Configuration, Push to Lock, Right	1	1
1		1034933-NLA	Wheel Lock, Less Lever Grip and Tip, 2" Lower Configuration, Push to Lock, Left	1	1
2		1028782	Wheel Lock Extension Handle	1	1
3		1026030	Screw, Lug (5/16-24 x 1-3/8")	1	2
4		7930330	Locknut (5/16-24)	25	2
5		1027956	Lever Grip without Tip for Wheel Lock	1	1
5		1027957	Lever Grip without Tip for Extension Handle	1	1
6		1030347-NLA	End Cap, Grey	1	1
6		1030348	End Cap, Teal	1	1
6		1030349	End Cap, Red	1	1
6		1030350-NLA	End Cap, Lavender	1	1

# Anti-Tipper Assembly



Item Number	Note	Part Number	Description	Quantity Per	
				Package	Assembly
1		1029235	Anti-Tippers, All Models Except Talls or P.P.8	2	1
1		1028564	Anti-Tippers, Models with P.P.8	2	1
1		1035536	Anti-Tippers, Tall Models Only	2	1
2		15680X012	Collar, Anti-Rattle (7/8")	1	2

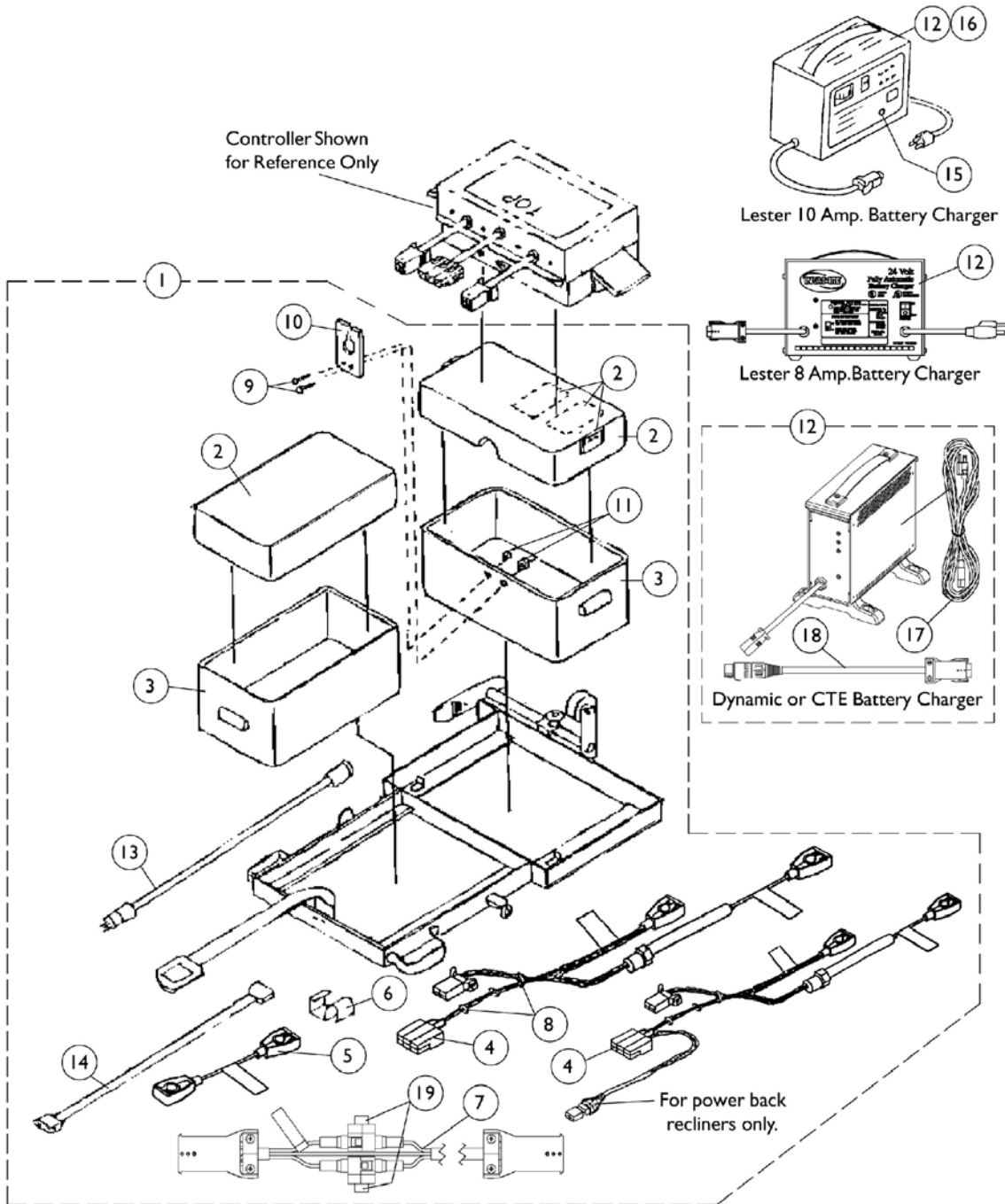
## Multi-Function Frame Motor Mounting Hardware (When Using Power Reclining Back)



Item Number	Note	Part Number	Description	Quantity Per	
				Package	Assembly
1		1014370	Screw, Socket Head Cap (1/2 x 3-1/2")	1	1
2		1031673	Washer, Nylon (35/64 x 1 x 1/16")	1	1
3		1013930-NLA	Spacer (1/2 x 3/4 x 1-3/4")	1	1
4		90070X000-NLA	Nut (1/2-13)	1	1
5		1014371	Lockwasher (1/2")	1	1
6		7930323	Package, Locknut (1/4-20)	25	1
7		1013925	Spacer (1/2 x 3/4 x 7/16")	1	1
8		1013923-NLA	Mounting Plate	1	1
9		60274X011	Screw, Hex Cap (1/4-20 x 1/2")	1	1
10		60282X006	Bolt, Socket Head Shoulderr (1/2 x 1-3/4")	1	1
11		1000134-NLA	Screw, Socket Button Head (1/2-13 x 1")	1	1
12		48323X013	Washer (5/8 x 7/8 x 1/8")	1	1

# Battery Box, Chargers, and Cables

## Multi-Function Frame



## Battery Box, Chargers, and Cables Multi-Function Frame

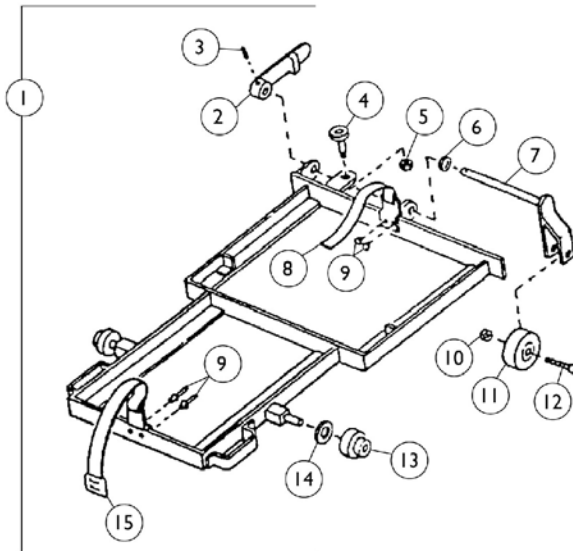
Item Number	Note	Part Number	Description	Quantity Per	
				Package	Assembly
1		1033953-NLA	Battery Box with Carriage and Cables, Manual Back Recliner	1	1
1		1014798-NLA	Battery Box with Carriage and Cables, Power Back Recliner	1	1
2		1029685	Battery Box Lid	1	1
2		1030443-NLA	Battery Box Lid	1	1
2		1013033-NLA	Battery Box Lid, Lid Only	1	1
2	D,A	1007406	Keepers	1	3
2	D,A	16348X010	Rivet (1/8")	1	4
2	D,A	16348X007	Rivet Washer (1/8 x 3/8 x 1/16")	1	4
2	D,A	47375X277	Fastener, Loop with Adhesive Back (1" Wide x 4" Long)	1	2
3		1013309-NLA	Bottom Box	1	1
4		1023702	Battery Harness with Fuse	1	1
4		1104225	Battery Harness with Fuse, Power Back Recliner	1	1
5		50000X123	Cable, Battery Jumper	1	1
6		1010681	Clamp Plug	1	1
7		1013399	Charger Extension Cable	1	1
8		1095503	Package, Cable Ties (5-5/8" Long)	10	1
9		7930335	Screw, Phillips Pan Head (#10-32 x 1/2")	25	2
10		50000X060-NLA	Cable Guide	1	1
11		7930332	Locknut, High Profile (#10-32)	25	2
12		1014758-NLA	Battery Charger, 10 Amp. 115vac (Off Board) Dual Mode Square Plug, Lester	1	1
12		1085685-NLA	Battery Charger, 8 Amp. 115vac (Off Board) Dual Mode Square Plug w/ AC Power Line Cord, Dynamic	1	1
12		1053163	Battery Charger, 8 Amp. 115vac (Off Board) Dual Mode Square Plug, Lester	1	1
12	D,D1	1062556	Battery Charger, 8 Amp. 115vac (Off Board) Single Mode Round Plug w/ AC Power Line Cord and Square Plug Adapter Cable, CTE Corp.	1	1
13		1013582-NLA	Remote Extension Cable	1	1
14		1014284-NLA	Actuator Extension Cable	1	1
15		1029291-NLA	Fuse Holder, 1559 Dual Mode Charger	1	1
16		1028809	Timer, 1559 Dual Mode Charger	1	1
17		1089627	Cord, AC Power Line 115vac (2-prong off-board 11'6"L)	1	1
18		1053831	Cable, Adapter	1	1
19	B	1098892	Fuse, 15 Amp. (Buss ATC-15)	1	2
19	C	1090117	Fuse, 15 Amp. (Buss Mini ATM-15)	1	2

## Battery Box, Chargers, and Cables Multi-Function Frame

NOTE: A - Part numbers 1007406, 16348X010, 16348X007, and 47375X277 are available for individual sale or as part of Miscellaneous Lid Hardware.  
B - Before 3/11/03  
C - After 3/10/03  
D - CTE charger introduced 4/1/04. Used on Gel Cell or AGM (Absorbed Glass Mat) batteries. For wet cell batteries refer to the Lester charger.  
D1 - CTE charger looks exactly the same as Dynamic's charger except for the company name that is silk screened on the narrow side panel, where the charger plug is (hard wired) attached. Serial number starts with 04A00000001.



## Multi-Function Frame Carriage Assembly

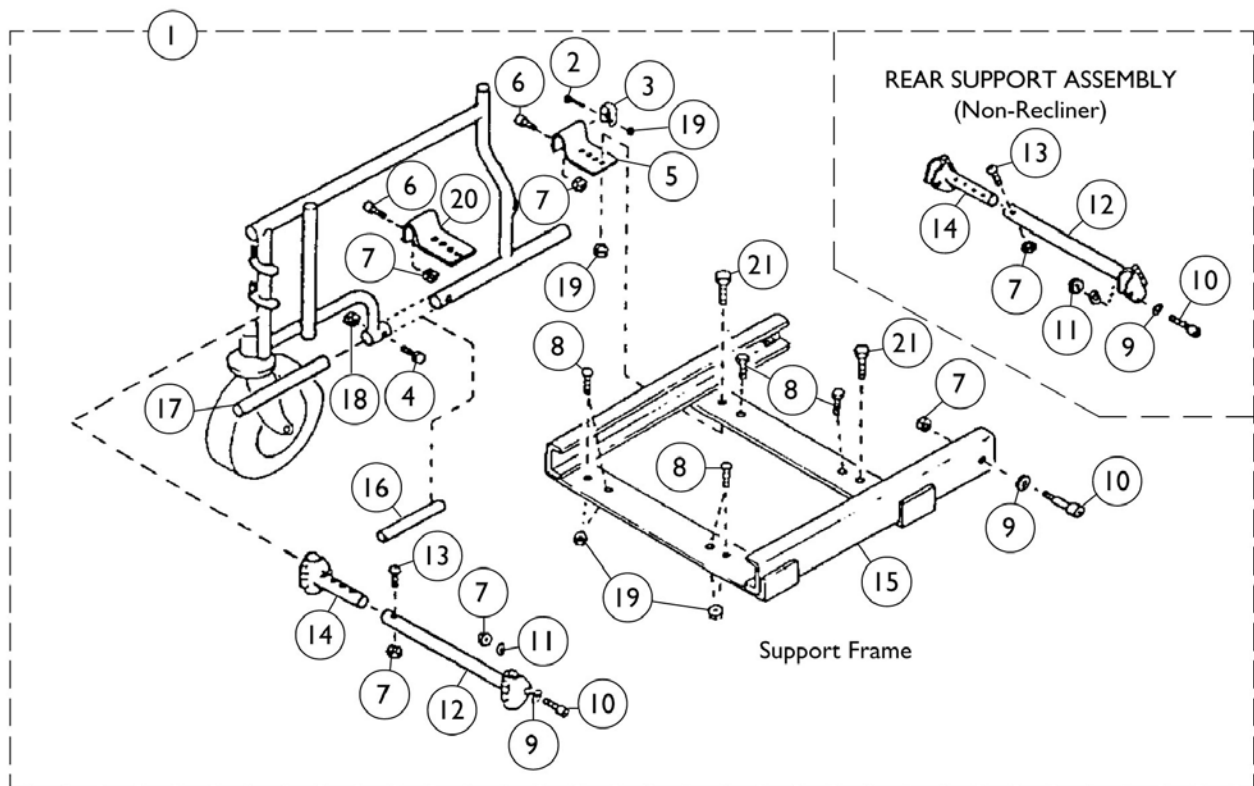


Item Number	Note	Part Number	Description	Quantity Per	
				Package	Assembly
1		1009778-NLA	Carriage Assembly Complete	1	1
2		1009769-NLA	Handle	1	1
3		40187X026	Roll Pin (1/8 x 3/4")	1	1
4		1014397	Plunger Pin Assembly	1	1
4	A	1014393	Plunger Pin	1	1
4	A	1014396	Plunger Pin Housing	1	1
4	A	40014X020	Knob, Plunger	1	1
4	A	40314X001	Ring, Retaining	1	1
4	A	47471X002	Spring, Compression	1	1
5		1001659	Jam Nut (1/2-20)	1	1
6		40014X044	Washer, Nylon (7/16 x 1 x 1/8")	1	1
7		1009761-NLA	Clevis Arm	1	1
8		1011819-NLA	Strap, Plain	1	1
9		1003177	Rivet	1	4
10		10092X000	Locknut (1/4-2)	1	1
11		10509X001	Wheel, 2"	1	1
12		1000212	Screw, Shoulder (1/4 x 1-1/4")	1	1
13		1009776-NLA	Roller	1	2
14		1012371	Washer, Nylon (3/8 x 7/8 x 1/16")	1	2
15		1011821	Strap with Buckel	1	1

NOTE: A - Part numbers 1014393, 1014396, 40014X020, 40314X001, and 47471X002 are available for individual sale.

# Multi-Function Frame

## Support Frame and Attaching Hardware

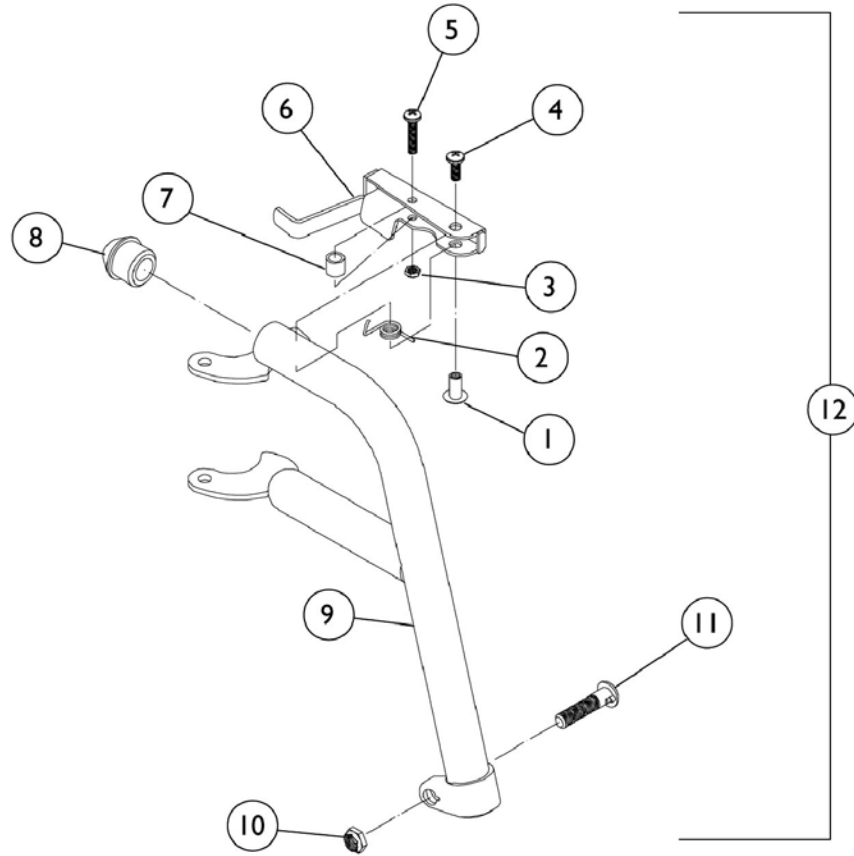


## Multi-Function Frame Support Frame and Attaching Hardware

Item Number	Note	Part Number	Description	Quantity Per	
				Package	Assembly
1		1012987	Support Frame Complete, Non-Recliner	1	1
1		1013936	Support Frame Complete, Recliner	1	1
2		11232X009	Screw, Lug (5/16-24 x 1-3/8")	1	2
3		47311X001	Clamp	1	2
4		7930361	Screw, Phillips Round Head (#10-32 x 1-1/8")	25	2
5		1012804	Rear Mount Bracket	1	2
6		60264X010	Screw, Hex Head (1/4-20 x 3/4")	1	4
7		7930364	Package, Locknut (1/4-20)	25	9
8		1012962	Screw, Socket Button Head (5/16-24 x 5/8")	1	6
9		16348X009	Washer (3/16 x 9/16 x 1/16")	1	6
10		1003400	Screw, Socket Head Cap (1/4-20 x 7/8")	1	4
11		1007453	Lockwasher, Split (1/4")	1	4
12		1009746	Support Tube	1	2
13		1008432	Screw, Socket Button Head (1/4-20 x 1-1/4")	1	2
14		1009744	Support Adjustment Tube	1	2
15		1009739	Support Frame ONLY	1	1
16		1012984	Spacer Tube	1	2
17		1002088-NLA	Lower Insert Tube	1	2
18		7930365	Locknut (#10-32)	25	2
19		7930363	Package, Locknut (5/16"-24)	25	2
20		1012805	Front Mounting Bracket	1	2
21		1013045	Screw, Hex Head (5/16-20 x 3/4")	1	2

# Footrest Support Assembly

93-Black, Chrome and Color



## Footrest Support Assembly 93-Black, Chrome and Color

Item Number	Note	Part Number	Description	Quantity Per	
				Package	Assembly
1		1028846	Rivnut (#10-32)	1	1
2		1028707	Spring, Release - Right	1	1
2		1028708	Spring, Release - Left	1	1
3		7930332	Locknut, High Profile (#10-32)	25	1
4		7930335	Screw, Phillips Pan Head (#10-32 x 1/2")	25	1
5		7930328	Screw, Phillips Pan Head (#10-32 x 11/16")	25	1
6		1035539	Handle, Release (Black) - Right	1	1
6		1035540	Handle, Release (Black) - Left	1	1
7		47565X057	Bushing (7/32 x 3/8 x 11/32")	1	1
8		1020719	Anti-Rattle, Black	1	1
9		1030288	Footrest Support Only (Black), Right	1	1
9		1030289	Footrest Support Only (Black), Left	1	1
9		1020418	Footrest Support Only (Chrome), Right	1	1
9		1020419	Footrest Support Only (Chrome), Left	1	1
9	A	8881037846	Footrest Support Only (Color), Right	1	1
9	A	8881037847	Footrest Support Only (Color), Left	1	1
10		1107321	Nut, Low Cap (5/16"-24)	1	1
11		1026030	Screw, Lug (5/16-24 x 1-3/8")	1	1
	B,C	1028826	Tip, Release Handle, Grey	1	1
	B,C	1028823	Tip, Release Handle, Teal	1	1
	B,C	1028824	Tip, Release Handle, Lavender	1	1
	B,C	1028825-NLA	Tip, Release Handle, Red	1	1
12	D	1037848	Footrest Support Assembly, Adult, Black - Right	1	1
12	D	1037849	Footrest Support Assembly, Adult, Black - Left	1	1
12	D	1030708	Footrest Support Assembly, Adult, Silver Vein - Right	1	1
12	D	1030709	Footrest Support Assembly, Adult, Silver Vein - Left	1	1
12	A,D	8881035779	Footrest Support Assembly, Adult, Color - Right	1	1
12	A,D	8881035780	Footrest Support Assembly, Adult, Color - Left	1	1
	C	See Chart	Pivot Slide Tubes with Aluminum Footplates	1	1

NOTE: A - Specify frame color when ordering, see Frame Finishes, Touch-Up Paints, Upholstery Options and Accent Packages page.  
B - Before 10/1/00 only  
C - Not Shown  
D - Assembly includes Release Handle, Tip, Bolt, and Locknut.

# Footrest Support Assembly

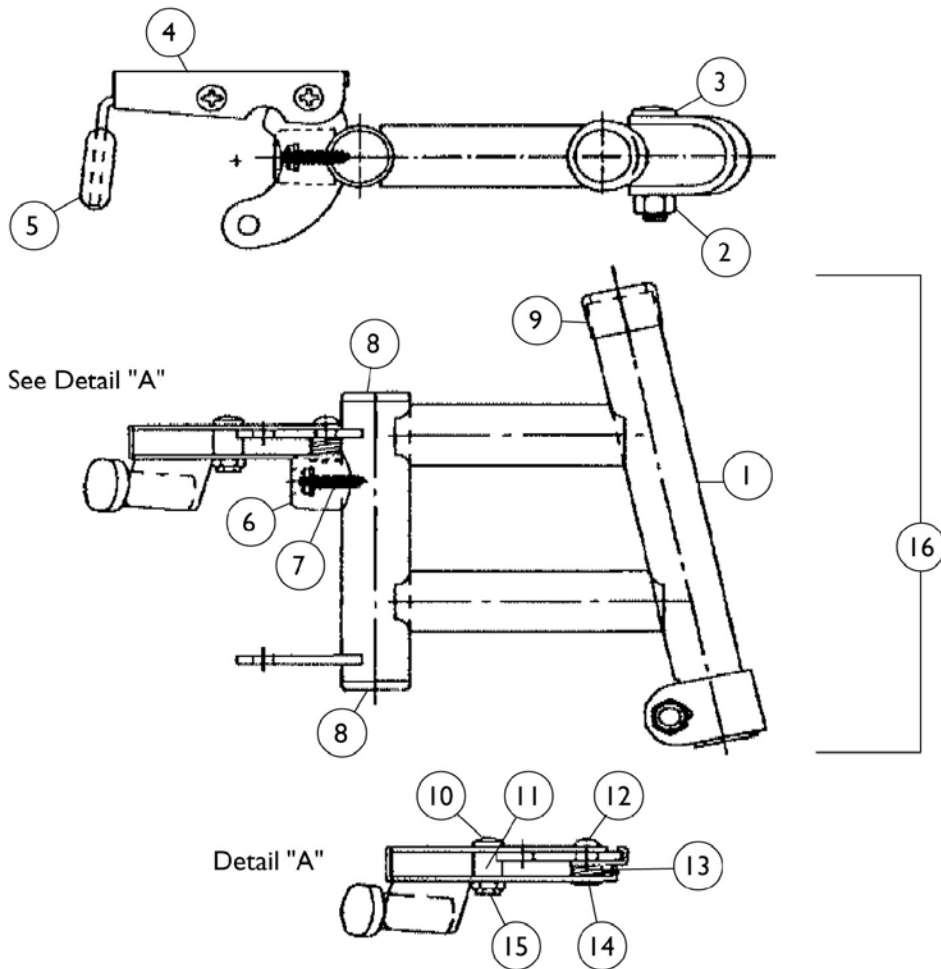
## 93-Black, Chrome and Color

### Pivot Slide Tubes with Aluminum Footplates

Description	Size	Right	Left
Adult, and Narrow Adult and Large Adult (Rubber Edged Plate)	(16" to 24")	1028892  See Note(s) A	1028893  See Note(s) A
Slim Narrow (Plain Aluminum Plate)	(14" and 15")	1058573  See Note(s) B	1058574  See Note(s) B
NOTE: A - Front Riggings built before 12/93 had footplates with a flat black finish. After 11/93 the finish is "Wrinkle Black." For Front Riggings before 12/93, order in pairs to match. B - Aluminum footplates on chairs built before 2/96 had a "Bright Aluminum" finish. Footplates after 1/96 now have a black finish. For Front Riggings before 2/96, order in pairs to match.			

# Footrest Support Assembly

## 93E - Black, Chrome and Color



# Footrest Support Assembly

## 93E - Black, Chrome and Color

Item Number	Note	Part Number	Description	Quantity Per	
				Package	Assembly
1		1037685	Footrest Support Only (Black), Right	1	1
1		1037686	Footrest Support Only (Black), Left	1	1
1		1016724	Footrest Support Only (Chrome) Right	1	1
1		1016725	Footrest Support Only (Chrome) Left	1	1
1	A	8881037689	Footrest Support Only (Color), Right	1	1
1	A	8881037690	Footrest Support Only (Color), Left	1	1
2		1107321	Nut, Low Cap (5/16"-24)	1	1
3		11232X009	Screw, Lug (5/16-24 x 1-3/8")	1	1
4		1035539	Handle, Release (Black) - Right	1	1
4		1035540	Handle, Release (Black) - Left	1	1
5	B	1006490	Tip, Plastic, Black	1	1
6		1022874	Bumper	1	1
7		1030979	Screw, Phillips Pan Head Tap (#10-32 x 3/4")	1	1
8		1027095	Plug Button, Black (7/8")	1	2
9		15680X012	Collar, Anti-Rattle (7/8")	1	1
10		7930360	Screw, Phillips Pan Head (#10-32 x 11/16")	25	1
11		47565X057	Bushing (7/32 x 3/8 x 11/32")	1	1
12		40163X002	Screw, Phillips Round Head (#10-32 x 1/2")	1	1
13		1008935	Spring, Release - Right	1	1
13		1008936	Spring, Release - Left	1	1
14		67005X000	Rivnut (#10-32)	1	1
15		7930365	Locknut (#10-32)	25	1
16	C	1037687	Footrest Support Assembly, Adult, Black - Right	1	1
16	C	1037688	Footrest Support Assembly, Adult, Black - Left	1	1
16	C	1030994	Footrest Support Assembly, Adult, Chrome - Right	1	1
16	C	1030995	Footrest Support Assembly, Adult, Chrome - Left	1	1
16	A,C	8881037691	Footrest Support Assembly, Adult, Color - Right	1	1
16	A,C	8881037692	Footrest Support Assembly, Adult, Color - Left	1	1
	D	See Chart	Pivot Slide Tubes with Aluminum Footplates	1	1

NOTE: A - Specify frame color when ordering, see Frame Finishes, Touch-Up Paints, Upholstery Options and Accent Packages page.  
 B - Before 10/1/00 only  
 C - Assembly includes Release Handle, Tip, Bolt, and Locknut.  
 D - Not Shown



# Footrest Support Assembly

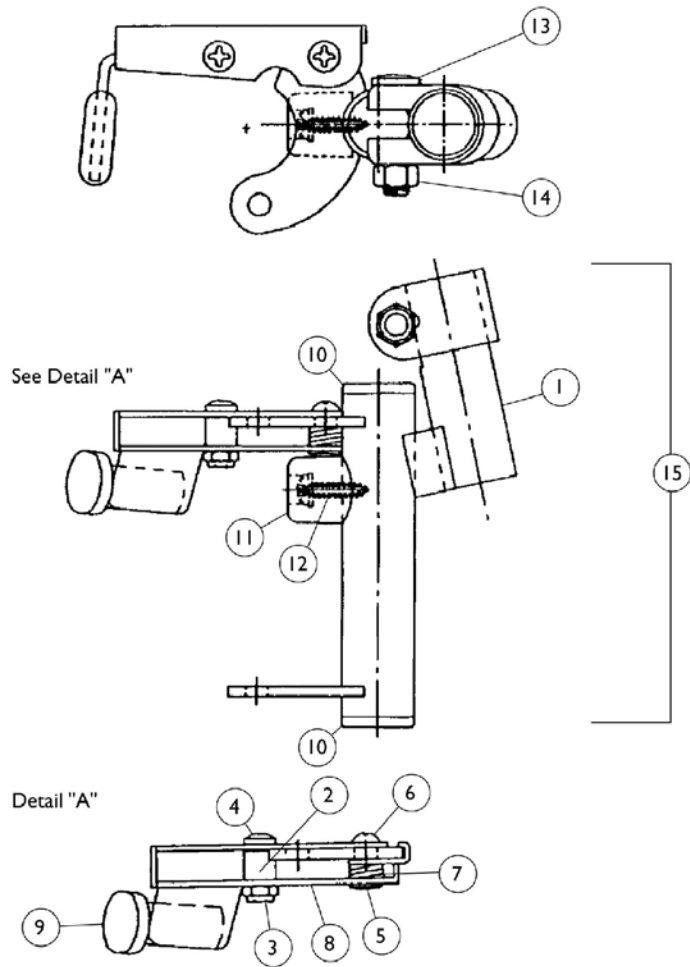
## 93E - Black, Chrome and Color

### Pivot Slide Tubes with Aluminum Footplates

Description	Size	Right	Left
Adult, and Narrow Adult and Large Adult (Rubber Edged Plate)	(16-24")	1028905  See Note(s) A	1028906  See Note(s) A
Slim Narrow (Plain Aluminum Plate)	(14" - 15")	1033506  See Note(s) B	1033507  See Note(s) B
NOTE: A - Front Riggings built before 12/93 had footplates with a flat black finish. After 11/93 the finish is "Wrinkle Black." For Front Riggings before 12/93, order in pairs to match. B - Aluminum footplates on chairs built before 2/96 had a "Bright Aluminum" finish. Footplates after 1/96 now have a black finish. For Front Riggings before 2/96, order in pairs to match.			

# Footrest Support Assembly

## 93M - Black, Chrome, and Color



## Footrest Support Assembly 93M - Black, Chrome, and Color

Item Number	Note	Part Number	Description	Quantity Per	
				Package	Assembly
1		1037693	Footrest Support Only (Black), Right	1	1
1		1037694	Footrest Support Only (Black), Left	1	1
1		04706X035	Footrest Support Only (Chrome) Right	1	1
1		04706X036	Footrest Support Only (Chrome) Left	1	1
1	A	8881037697	Footrest Support Only (Color), Right	1	1
1	A	8881037698	Footrest Support Only (Color), Left	1	1
2		47565X057	Bushing (7/32 x 3/8 x 11/32")	1	1
3		7930365	Locknut (#10-32)	25	1
4		7930360	Screw, Phillips Pan Head (#10-32 x 11/16")	25	1
5		67005X000	Rivnut (#10-32)	1	1
6		7930359	Screw, Phillips Pan Head (#10-32 x 1/2")	25	1
7		1008935	Spring, Release - Right	1	1
7		1008936	Spring, Release - Left	1	1
8		1035539	Handle, Release (Black) - Right	1	1
8		1035540	Handle, Release (Black) - Left	1	1
9	B	1006490	Tip, Plastic, Black	1	1
10		1027095	Plug Button, Black (7/8")	1	2
11		1022874	Bumper	1	1
12		1030979	Screw, Phillips Pan Head Tap (#10-32 x 3/4")	1	1
13		11232X009	Screw, Lug (5/16-24 x 1-3/8")	1	1
14		1107321	Nut, Low Cap (5/16"-24)	1	1
15	C	1037695	Footrest Support Assembly, Adult, Black - Right	1	1
15	C	1037696	Footrest Support Assembly, Adult, Black - Left	1	1
15	C	1031191	Footrest Support Assembly, Adult, Chrome - Right	1	1
15	C	1031192	Footrest Support Assembly, Adult, Chrome - Left	1	1
15	A,C	8881037836	Footrest Support Assembly, Adult, Color - Right	1	1
15	A,C	8881037837	Footrest Support Assembly, Adult, Color - Left	1	1
		See Chart	Pivot Slide Tubes with Aluminum Footplates	1	1

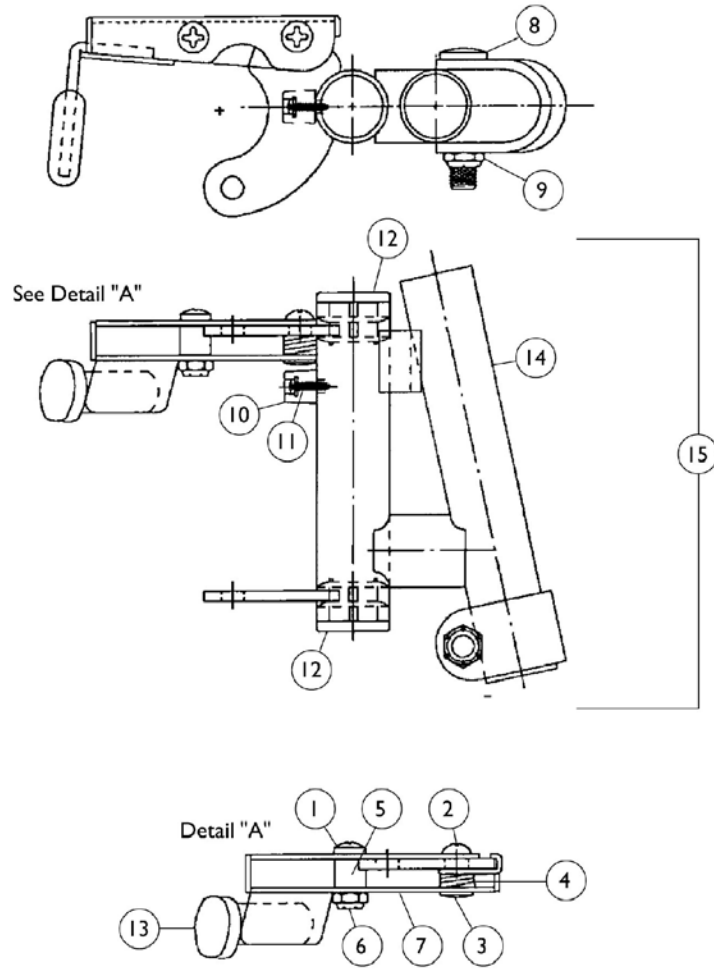
NOTE: A - Specify color when ordering from Frame Finishes, Touch-Up Paints, Upholstery Options and Accent Packages page.  
 B - Before 10/1/00 only  
 C - Assembly includes Release Handle, Tip, Bolt, and Locknut.

**Footrest Support Assembly**  
**93M - Black, Chrome, and Color**  
**Pivot Slide Tubes with Aluminum Footplates**

Description	Size	Right	Left
Adult and Narrow Adult and Large Adult (Rubber Edged Plate)	(16"-24")	1028905 See Note(s) A	1028906 See Note(s) A
Slim Narrow (Plain Aluminum Plate)	(14"-15")	1033506 See Note(s) B	1033507 See Note(s) B
NOTE: A - Front Riggings built before 12/93 had footplates with a flat black finish. After 11/93 the finish is "Wrinkle Black." For Front Riggings before 12/93, order in pairs to match. B - Aluminum footplates on chairs built before 2/96 had a "Bright Aluminum" finish. Footplates after 1/96 now have a black finish. For Front Riggings before 2/96, order in pairs to match.			

# Footrest Support Assembly

## 93M2 - Black, Chrome, and Color



## Footrest Support Assembly 93M2 - Black, Chrome, and Color

Item Number	Note	Part Number	Description	Quantity Per	
				Package	Assembly
1		7930360	Screw, Phillips Pan Head (#10-32 x 11/16")	25	1
2		7930359	Screw, Phillips Pan Head (#10-32 x 1/2")	25	1
3		67005X000	Rivnut (#10-32)	1	1
4		1008935	Spring, Release - Right	1	1
4		1008936	Spring, Release - Left	1	1
5		47565X057	Bushing (7/32 x 3/8 x 11/32")	1	1
6		7930365	Locknut (#10-32)	25	1
7		1035539	Handle, Release (Black) - Right	1	1
7		1035540	Handle, Release (Black) - Left	1	1
8		11232X009	Screw, Lug (5/16-24 x 1-3/8")	1	1
9		7930363	Package, Locknut (5/16"-24)	25	1
10		1022874	Bumper	1	1
11		1030979	Screw, Phillips Pan Head Tap (#10-32 x 3/4")	1	1
12		1027095	Plug Button, Black (7/8")	1	2
13	B	1006490	Tip, Plastic, Black	1	1
14		1037838	Footrest Support Only (Black), Right	1	1
14		1037839	Footrest Support Only (Black), Left	1	1
14		1035888	Footrest Support Only (Chrome) Right	1	1
14		1035889	Footrest Support Only (Chrome) Left	1	1
14	A	8881037842	Footrest Support Only (Color), Right	1	1
14	A	8881037843	Footrest Support Only (Color), Left	1	1
15	C	1037840	Footrest Support Assembly, Adult, Black - Right	1	1
15	C	1037841	Footrest Support Assembly, Adult, Black - Left	1	1
15	C	1035890	Footrest Support Assembly, Adult, Chrome - Right	1	1
15	C	1035891	Footrest Support Assembly, Adult, Chrome - Left	1	1
15	A,C	8881037844	Footrest Support Assembly, Adult, Color - Right	1	1
15	A,C	8881037845	Footrest Support Assembly, Adult, Color - Left	1	1
	D	See Chart	Pivot Slide Tubes with Aluminum Footplates	1	1

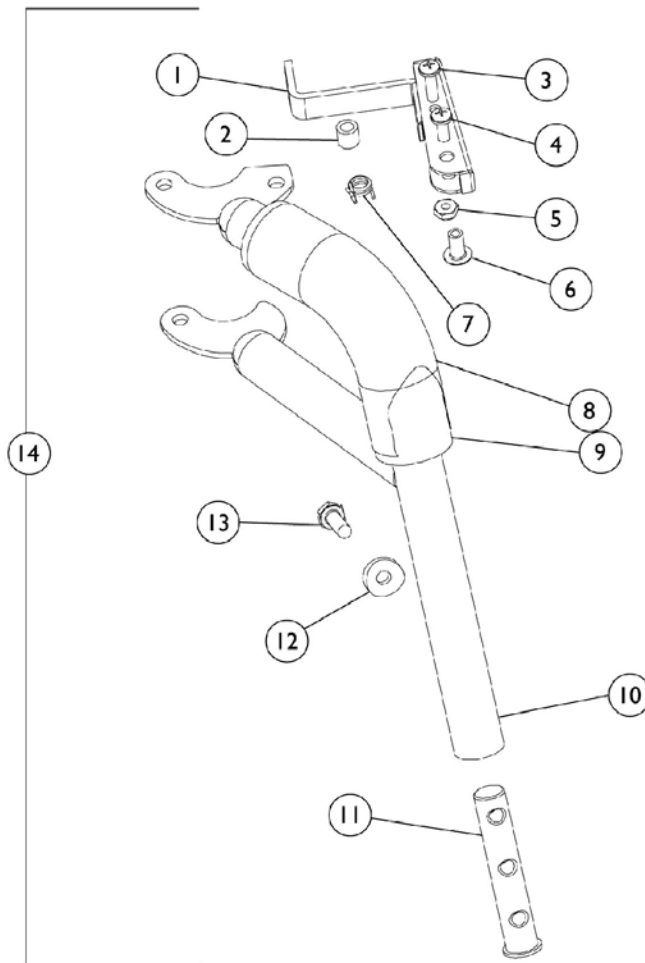
NOTE: A - Specify color when ordering from Frame Finishes, Touch-Up Paints, Upholstery Options and Accent Packages page.  
 B - Before 10/1/00 only  
 C - Assembly includes Release Handle, Tip, Bolt, and Locknut.  
 D - Not Shown

**Footrest Support Assembly**  
**93M2 - Black, Chrome, and Color**  
**Pivot Slide Tubes with Aluminum Footplates**

Description	Size	Right	Left
Adult and Narrow Adult and Large Adult (Rubber Edged Plate)	(16"-24")	1028905 See Note(s) A	1028906 See Note(s) A
Slim Narrow (Plain Aluminum Plate)	(14"-15")	1033506 See Note(s) B	1033507 See Note(s) B
NOTE: A - Front Riggings built before 12/93 had footplate with a flat black finish. After 11/93 the finish is "Wrinkle Black." For Front Riggings before 12/93, order in pairs to match. B - Aluminum footplates on chairs built before 2/96 had a "Bright Aluminum" finish. Footplates after 1/96 now have a black finish. For Front Riggings before 2/96, order in pairs to match.			

# Footrest Support Assembly

## 93ST - Black, Chrome, and Color





## Footrest Support Assembly 93ST - Black, Chrome, and Color

Item Number	Note	Part Number	Description	Quantity Per	
				Package	Assembly
1		1035539	Handle, Release (Black) - Right	1	1
1		1035540	Handle, Release (Black) - Left	1	1
2		47565X057	Bushing (7/32 x 3/8 x 11/32")	1	1
3		7930328	Screw, Phillips Pan Head (#10-32 x 11/16")	25	1
4		7930335	Screw, Phillips Pan Head (#10-32 x 1/2")	25	1
5		7930332	Locknut, High Profile (#10-32)	25	1
6		1028846	Rivnut (#10-32)	1	1
7		1028707	Spring, Release - Right	1	1
7		1028708	Spring, Release - Left	1	1
8		1030435	Cover, Foam Cushion	1	1
9		1030434	Cushion, Tubular Foam	1	1
10		1028013	Footrest Support Only (Black), Right	1	1
10		1028014	Footrest Support Only (Black), Left	1	1
10		1027980	Footrest Support Only (Chrome) Right	1	1
10		1027981	Footrest Support Only (Chrome) Left	1	1
10	A	8881037852	Footrest Support Only (Color), Right	1	1
10	A	8881037853	Footrest Support Only (Color), Left	1	1
11		1020534	Insert, Threaded	1	1
12		1026099	Spacer, Coved (1/4 x 11/16 x 1/2")	1	1
13		7930326	Screw, Hex Head (1/4-20 x 3/4")	25	1
	B,C	1028826	Tip, Release Handle, Grey	1	1
	B,C	1028823	Tip, Release Handle, Teal	1	1
	B,C	1028824	Tip, Release Handle, Lavender	1	1
	B,C	1028825-NLA	Tip, Release Handle, Red	1	1
14	D	1028015	Footrest Support Assembly, Adult, Black - Right	1	1
14	D	1028016	Footrest Support Assembly, Adult, Black - Left	1	1
14	D	1027992	Footrest Support Assembly, Adult, Chrome - Right	1	1
14	D	1027993	Footrest Support Assembly, Adult, Chrome - Left	1	1
14	A,D	8881037854	Footrest Support Assembly, Adult, Color - Right	1	1
14	A,D	8881037855	Footrest Support Assembly, Adult, Color - Left	1	1
	C	See Chart	Pivot Slide Tube with Composite Footplate	1	1

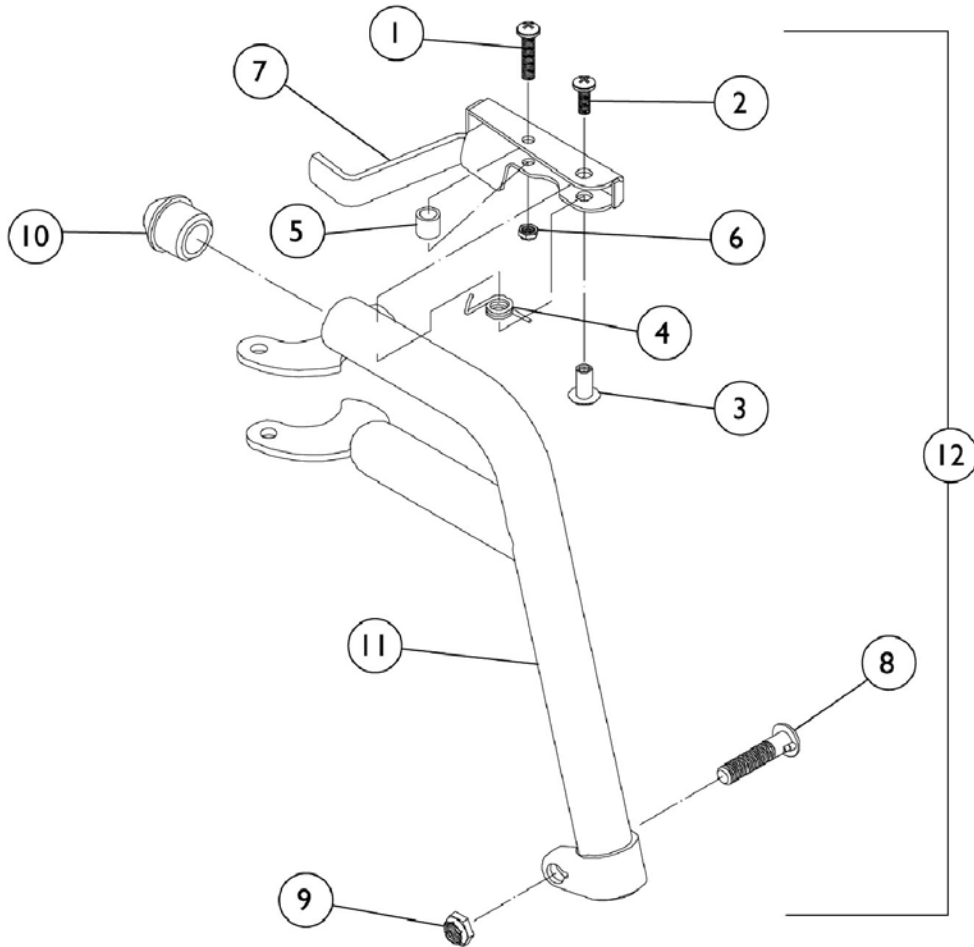
NOTE: A - Specify frame color when ordering, see Frame Finishes, Touch-Up Paints, Upholstery Options and Accent Packages page.  
 B - Before 10/1/00 only  
 C - Not Shown  
 D - Assembly includes Release Handle, Tip, Bolt, and Locknut.

**Footrest Support Assembly**  
**93ST - Black, Chrome, and Color**  
**Pivot Slide Tube with Composite Footplate**

Description	Size	Right	Left
Narrow Adult	16"	1028391	1028392
Adult	18"	1028387	1028388
Large Narrow	20"	1028383	1028384

# Footrest Support Assembly

H93 - Black, Chrome, and Color



## Footrest Support Assembly H93 - Black, Chrome, and Color

Item Number	Note	Part Number	Description	Quantity Per	
				Package	Assembly
1		1025716	Screw, Phillips Pan Head (#10-32 x 11/16")	1	1
2		1026114	Screw, Phillips Pan Head (#10-32 x 1/2")	1	1
3		1028846	Rivnut (#10-32)	1	1
4		1028707	Spring, Release - Right	1	1
4		1028708	Spring, Release - Left	1	1
5		47565X057	Bushing (7/32 x 3/8 x 11/32")	1	1
6		1025735	Locknut (#10-32)	1	1
7		1035539	Handle, Release (Black) - Right	1	1
7		1035540	Handle, Release (Black) - Left	1	1
8		11232X009	Screw, Lug (5/16-24 x 1-3/8")	1	1
9		60264X001	Locknut (5/16-24)	1	1
10		1020719	Anti-Rattle, Black	1	1
	B,C	1028826	Tip, Release Handle, Grey	1	1
	B,C	1028823	Tip, Release Handle, Teal	1	1
	B,C	1028824	Tip, Release Handle, Lavender	1	1
	B,C	1028825-NLA	Tip, Release Handle, Red	1	1
11		1035161	Footrest Support Only (Black), Right	1	1
11		1035162	Footrest Support Only (Black), Left	1	1
11		1035150	Footrest Support Only (Chrome), Right	1	1
11		1035151	Footrest Support Only (Chrome), Left	1	1
11	A	8881037880	Footrest Support Only (Color), Right	1	1
11	A	8881037881	Footrest Support Only (Color), Left	1	1
12	D	1035163	Footrest Support Assembly, Hemi, Black - Right	1	1
12	D	1035164	Footrest Support Assembly, Hemi, Black - Left	1	1
12	D	1035152	Footrest Support Assembly, Hemi, Chrome - Right	1	1
12	D	1035153	Footrest Support Assembly, Hemi, Chrome - Left	1	1
12	A,D	8881037882	Footrest Support Assembly, Hemi, Color - Right	1	1
12	A,D	8881037883	Footrest Support Assembly, Hemi, Color - Left	1	1
	C	See Chart	Pivot Slide Tubes with Aluminum Footplates	1	1

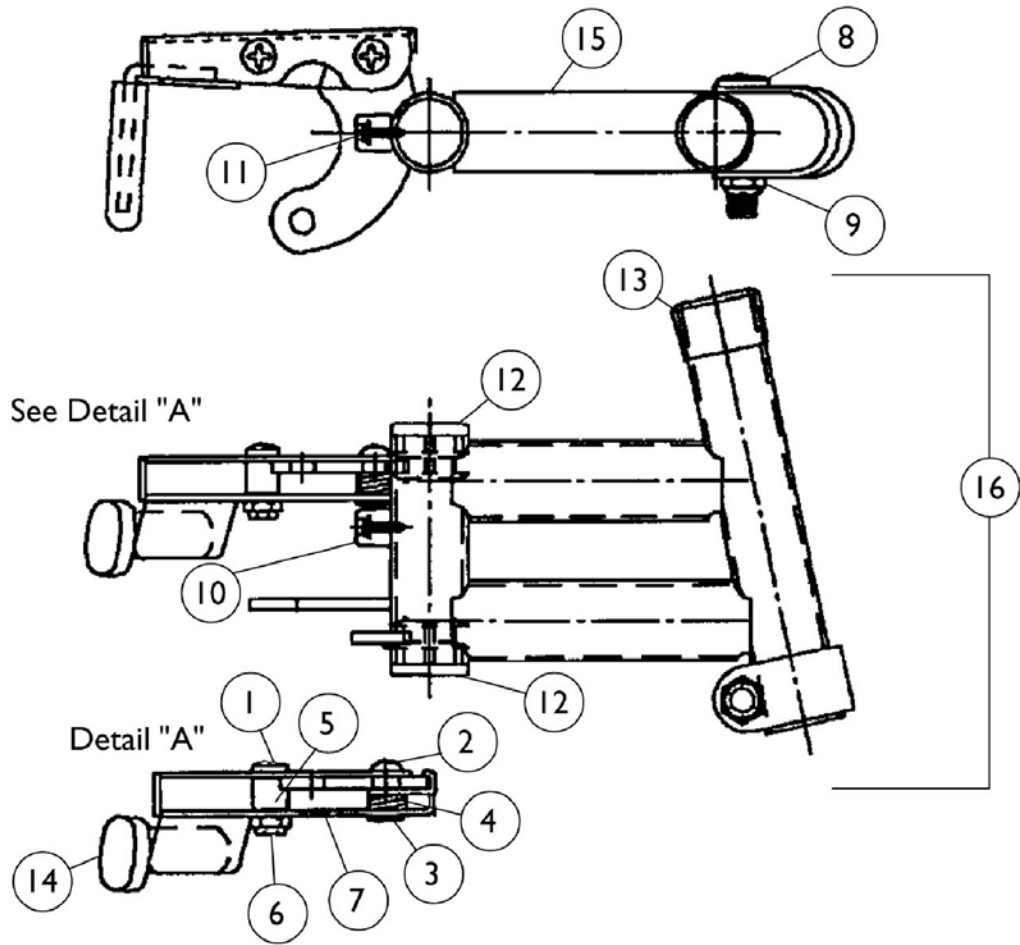
NOTE: A - Specify frame color when ordering, see Frame Finishes, Touch-Up Paints, Upholstery Options and Accent Packages page.  
 B - Before 10/1/00 only  
 C - Not Shown  
 D - Assembly includes Release Handle, Tip, Bolt, and Locknut.

**Footrest Support Assembly**  
**H93 - Black, Chrome, and Color**  
**Pivot Slide Tubes with Aluminum Footplates**

Description	Size	Right	Left
Adult and Narrow Adult and Large Adult (Rubber Edged Plate)	(16"-24")	1028892 See Note(s) A	1028893 See Note(s) A
Slim Narrow (Plain Aluminum Plate)	(14"-15")	1058573 See Note(s) B	1058574 See Note(s) B
NOTE: A - Front Riggings built before 12/93 had footplates with a flat black finish. After 11/93 the finish is "Wrinkle Black." For Front Riggings before 12/93, order in pairs to match. B - Aluminum footplates on chairs built before 2/96 had a "Bright Aluminum" finish. Footplates after 1/96 now have a black finish. For Front Riggings before 2/96, order in pairs to match.			

# Footrest Support Assembly

H93E - Black, Chrome, and Color



## Footrest Support Assembly H93E - Black, Chrome, and Color

Item Number	Note	Part Number	Description	Quantity Per	
				Package	Assembly
1		7930360	Screw, Phillips Pan Head (#10-32 x 11/16")	25	1
2		7930359	Screw, Phillips Pan Head (#10-32 x 1/2")	25	1
3		67005X000	Rivnut (#10-32)	1	1
4		1008935	Spring, Release - Right	1	1
4		1008936	Spring, Release - Left	1	1
5		47565X057	Bushing (7/32 x 3/8 x 11/32")	1	1
6		7930365	Locknut (#10-32)	25	1
7		1035539	Handle, Release (Black) - Right	1	1
7		1035540	Handle, Release (Black) - Left	1	1
8		11232X009	Screw, Lug (5/16-24 x 1-3/8")	1	1
9		1107321	Nut, Low Cap (5/16"-24)	1	1
10		1022874	Bumper	1	1
11		1030979	Screw, Phillips Pan Head Tap (#10-32 x 3/4")	1	1
12		1027095	Plug Button, Black (7/8")	1	2
13		15680X012	Collar, Anti-Rattle (7/8")	1	1
14	B	1006490	Tip, Plastic, Black	1	1
15		1037856	Footrest Support Only (Black), Right	1	1
15		1037857	Footrest Support Only (Black), Left	1	1
15		1035144	Footrest Support Tube, Chrome - Right	1	1
15		1035145	Footrest Support Tube, Chrome - Left	1	1
15	A	8881037860	Footrest Support Only (Color), Right	1	1
15	A	8881037861	Footrest Support Only (Color), Left	1	1
16	C	1037858	Footrest Support Assembly, Hemi, Black - Right	1	1
16	C	1037859	Footrest Support Assembly, Hemi, Black - Left	1	1
16	C	1035525	Footrest Support Assembly, Hemi, Chrome - Right	1	1
16	C	1035524	Footrest Support Assembly, Hemi, Chrome - Left	1	1
16	A,C	8881037862	Footrest Support Assembly, Hemi, Color - Right	1	1
16	A,C	8881037863	Footrest Support Assembly, Hemi, Color - Left	1	1
	D	See Chart	Pivot Slide Tubes with Aluminum Footplates	--	--

NOTE: A - Specify frame color when ordering, see Frame Finishes, Touch-Up Paints, Upholstery Options and Accent Packages page.  
 B - Before 10/1/00 only  
 C - Assembly includes Release Handle, Tip, Bolt, and Locknut.  
 D - Not Shown

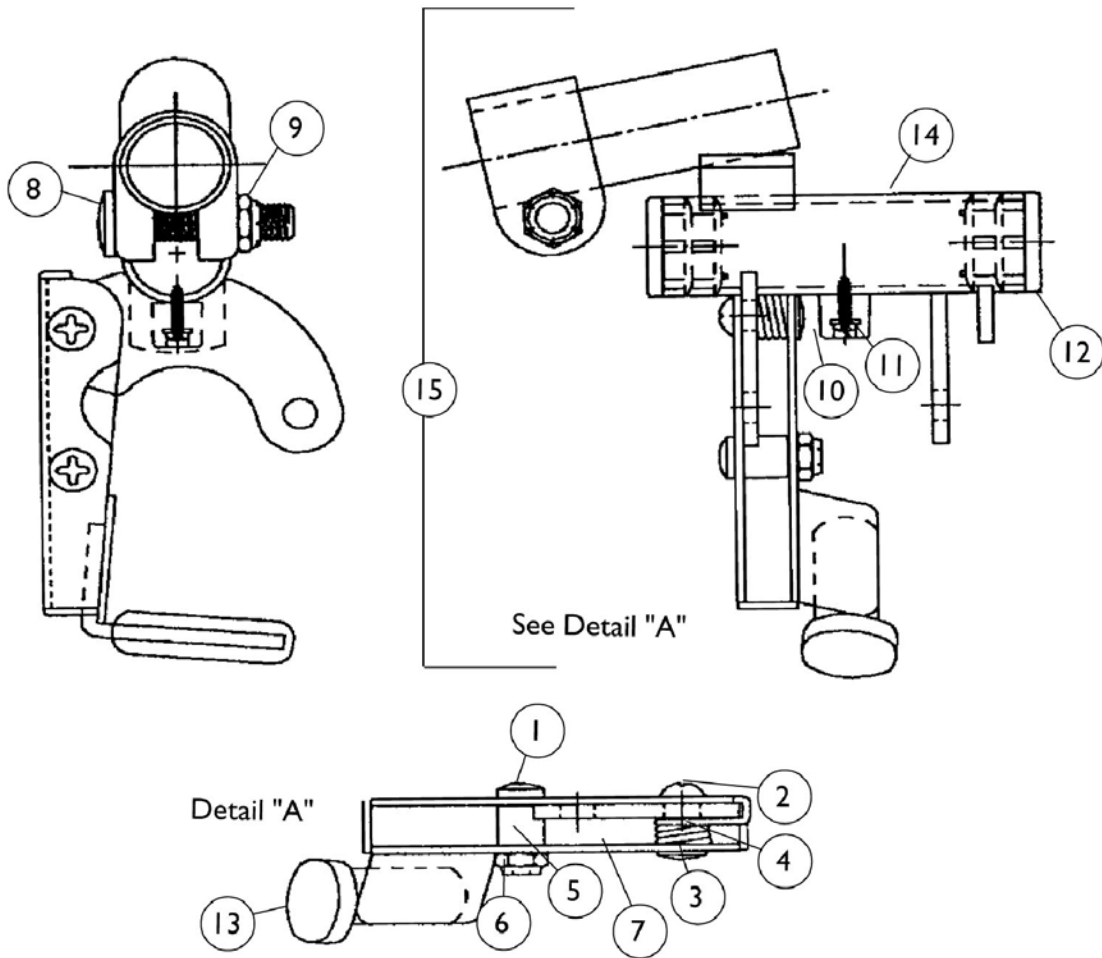
**Footrest Support Assembly**  
**H93E - Black, Chrome, and Color**  
**Pivot Slide Tubes with Aluminum Footplates**

Description	Size	Right	Left
Adult and Narrow Adult and Large Adult Rubber Edged Plate)	(16" - 24")	1028905 See Note(s) A	1028906
Slim Narrow (Plain Aluminum Plate)	(14" - 15")	1033506	1033507
NOTE: A - Front Riggings built before 12/93 had footplates with a flat black finish. After 11/93 the finish is "Wrinkle Black." For Front Riggings before 12/93, order in pairs to match.			



# Footrest Support Assembly

H93M - Black, Chrome, and Color



## Footrest Support Assembly H93M - Black, Chrome, and Color

Item Number	Note	Part Number	Description	Quantity Per	
				Package	Assembly
1		7930360	Screw, Phillips Pan Head (#10-32 x 11/16")	25	1
2		7930359	Screw, Phillips Pan Head (#10-32 x 1/2")	25	1
3		67005X000	Rivnut (#10-32)	1	1
4		1008935	Spring, Release - Right	1	1
4		1008936	Spring, Release - Left	1	1
5		47565X057	Bushing (7/32 x 3/8 x 11/32")	1	1
6		7930365	Locknut (#10-32)	25	1
7		1035539	Handle, Release (Black) - Right	1	1
7		1035540	Handle, Release (Black) - Left	1	1
8		11232X009	Screw, Lug (5/16-24 x 1-3/8")	1	1
9		1107321	Nut, Low Cap (5/16"-24)	1	1
10		1022874	Bumper	1	1
11		1030979	Screw, Phillips Pan Head Tap (#10-32 x 3/4")	1	1
12		1027095	Plug Button, Black (7/8")	1	2
13	B	1006490	Tip, Plastic, Black	1	1
14		1037864	Footrest Support Only (Black), Right	1	1
14		1037865	Footrest Support Only (Black), Left	1	1
14		1035141	Support Only, Footrest (Chrome), Right,	1	1
14		1035140	Support Only, Footrest (Chrome), Left	1	1
14	A	8881037868	Footrest Support Only (Color), Right	1	1
14	A	8881037869	Footrest Support Only (Color), Left	1	1
15	C	1037866	Footrest Support Assembly, Hemi, Black - Right	1	1
15	C	1037867	Footrest Support Assembly, Hemi, Black - Left	1	1
15	C	1035172	Footrest Support Assembly, Hemi, Chrome - Right	1	1
15	C	1035171	Footrest Support Assembly, Hemi, Chrome - Left	1	1
15	A,C	8881037870	Footrest Support Assembly, Hemi, Color - Right	1	1
15	A,C	8881037871	Footrest Support Assembly, Hemi, Color - Left	1	1
	D	See Chart	Pivot Slide Tubes with Aluminum Footplates	1	1

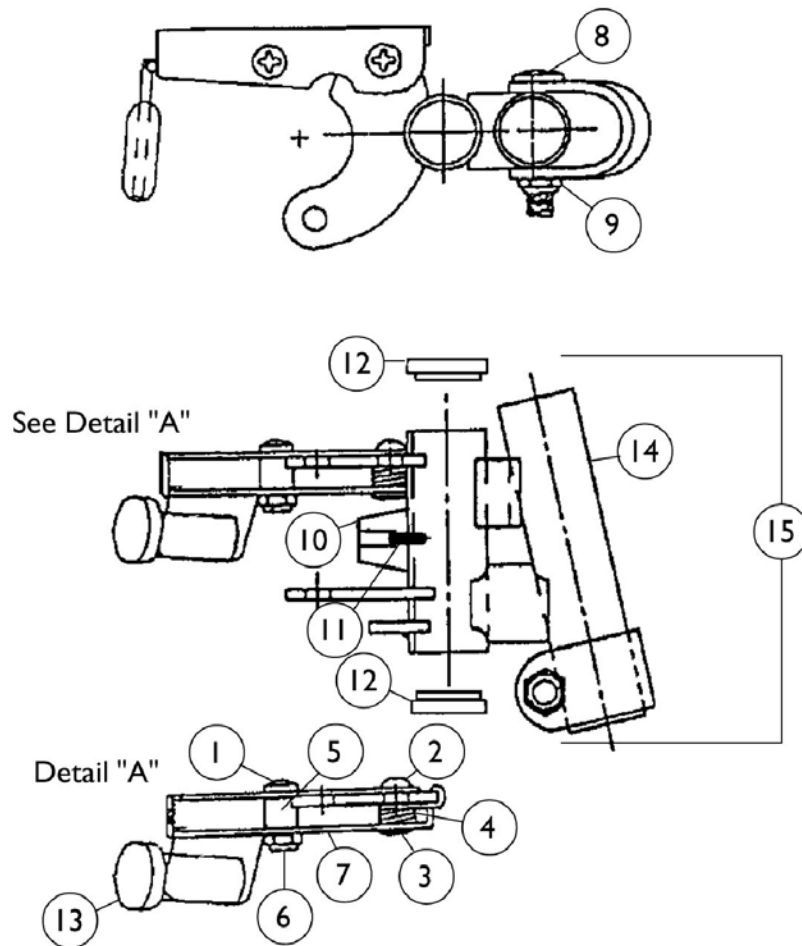
NOTE: A - Specify frame color when ordering, see Frame Finishes, Touch-Up Paints, Upholstery Options and Accent Packages page.  
 B - Before 10/1/00 only  
 C - Assembly includes Release Handles, Tip, Bolt, and Locknut.  
 D - Not Shown

**Footrest Support Assembly**  
**H93M - Black, Chrome, and Color**  
**Pivot Slide Tubes with Aluminum Footplates**

Description	Size	Right	Left
Adult and Narrow Adult and Large Adult (Rubber Edged Plate)	(16" - 24")	1028905 See Note(s) A	1028906 See Note(s) A
Slim Narrow (Plain Aluminum Plate)	(14" - 15")	1033506 See Note(s) B	1033507 See Note(s) B
NOTE: A - Front Riggings built before 12/93 had footplates with a flat black finish. After 11/93 the finish is "Wrinkle Black." For Front Riggings before 12/93, order in pairs to match. B - Aluminum footplates on chairs built before 2/96 had a "Bright Aluminum" finish. Footplates after 1/96 now have a black finish. For Front Riggings before 2/96, order in pairs to match.			

# Footrest Support Assembly

## H93M2 - Black, Chrome, and Color



## Footrest Support Assembly H93M2 - Black, Chrome, and Color

Item Number	Note	Part Number	Description	Quantity Per	
				Package	Assembly
1		7930360	Screw, Phillips Pan Head (#10-32 x 11/16")	25	1
2		7930359	Screw, Phillips Pan Head (#10-32 x 1/2")	25	1
3		67005X000	Rivnut (#10-32)	1	1
4		1008935	Spring, Release - Right	1	1
4		1008936	Spring, Release - Left	1	1
5		47565X057	Bushing (7/32 x 3/8 x 11/32")	1	1
6		7930365	Locknut (#10-32)	25	1
7		1035539	Handle, Release (Black) - Right	1	1
7		1035540	Handle, Release (Black) - Left	1	1
8		11232X009	Screw, Lug (5/16-24 x 1-3/8")	1	1
9		7930363	Package, Locknut (5/16"-24)	25	1
10		1022874	Bumper	1	1
11		1030979	Screw, Phillips Pan Head Tap (#10-32 x 3/4")	1	1
12		1027095	Plug Button, Black (7/8")	1	2
13	B	1006490	Tip, Plastic, Black	1	1
14		1037872	Footrest Support Only (Black), Right	1	1
14		1037873	Footrest Support Only (Black), Left	1	1
14		1035491	Footrest Support Only (Chrome) Right	1	1
14		1035490	Footrest Support Only (Chrome) Left	1	1
14	A	8881037876	Footrest Support Only (Color), Right	1	1
14	A	8881037877	Footrest Support Only (Color), Left	1	1
15	C	1037874	Footrest Support Assembly, Hemi, Black - Right	1	1
15	C	1037875	Footrest Support Assembly, Hemi, Black - Left	1	1
15	C	1035492	Footrest Support Assembly, Hemi, Chrome - Left	1	1
15	C	1035493	Footrest Support Assembly, Hemi, Chrome - Right	1	1
15	A,C	8881037878	Footrest Support Assembly, Hemi, Color - Right	1	1
15	A,C	8881037879	Footrest Support Assembly, Hemi, Color - Left	1	1
	D	See Chart	Pivot Slide Tubes with Aluminum Footplates	1	1

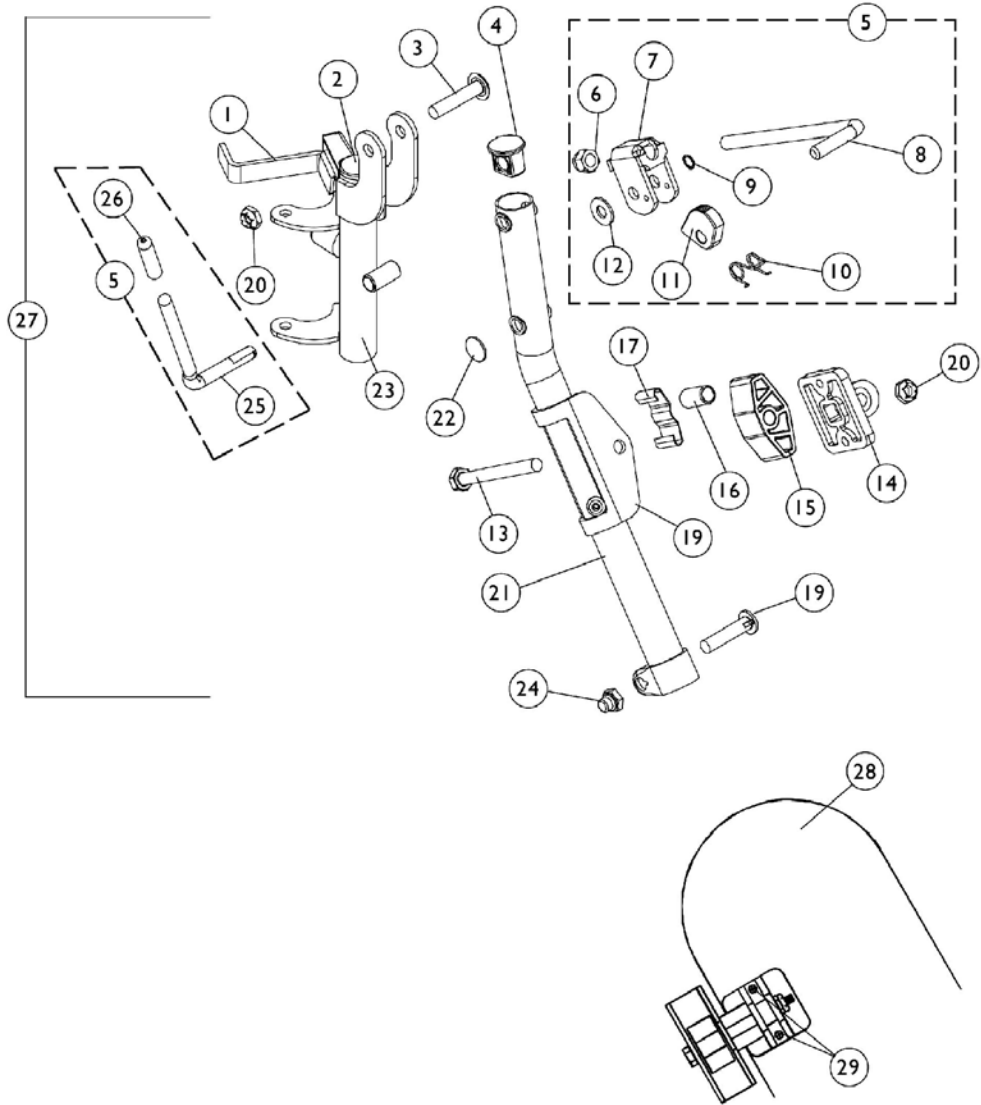
NOTE: A - Specify frame color when ordering, see Frame Finishes, Touch-Up Paints, Upholstery Options and Accent Packages page.  
 B - Before 10/1/00 only  
 C - Assembly includes Release Handle, Tip, Bolt, and Locknut.  
 D - Not Shown

**Footrest Support Assembly**  
**H93M2 - Black, Chrome, and Color**  
**Pivot Slide Tubes with Aluminum Footplates**

Description	Size	Right	Left
Adult and Narrow Adult and Large Adult (Rubber Edged Plate)	(16" - 24")	1028905 See Note(s) A	1028906 See Note(s) A
Slim Narrow (Plain Aluminum Plate)	(14" - 15")	1033506 See Note(s) B	1033507 See Note(s) B
NOTE: A - Front Riggings built before 12/93 had footplates with a flat black finish. After 11/93 the finish is "Wrinkle Black." For Front Riggings before 12/93, order in pairs to match. B - Aluminum footplates on chairs built before 2/96 had a "Bright Aluminum" finish. Footplates after 1/96 now have a black finish. For Front Riggings before 2/96, order in pairs to match.			

# Legrest Support Assembly 94BK

NOTE: Legrest pad and attaching hardware not included with support assembly. See item 28.



# Legrest Support Assembly

**94BK**

**(14" - 24" Wide Chairs)**

Item Number	Note	Part Number	Description	Quantity Per	
				Package	Assembly
1		1023428	Handle, Release, Chrome - Right	1	1
1		1023431	Handle, Release, Chrome - Left	1	1
2		1027095	Plug Button, Black (7/8")	1	1
3		1030948	Screw, Truss Head (5/16-24 x 1-1/2")	1	1
4		1095433	Plug Button, Black (7/8")	1	1
5	A,C	1046328	Ratchet Assembly Kit	2	1
6		7930336	Nut, Acorn (5/16-24)	25	1
7	A	04528X002	Bracket, Release (Chrome)	1	1
8		42326X001	Bar, Ratchet	1	1
9	B,D	1040831	Snap Ring	1	1
9	B,E	40187X000	Roll Pin	1	1
10	A	1037485	Spring, Release	1	1
11	A	1037125	Cam, Legrest	1	1
12		7930310	Washer, Nylon (5/16 x 11/16 x 1/16")	25	1
13		1014807	Screw, Hex Head (5/16-24 x 3-1/4")	1	1
14		04526X019	Plate, Legrest Pad	1	1
15		1091220	Spacer	1	1
16		47328X003	Bushing, Pivot (5/16 x 7/16 x 7/8")	1	1
17		48823X008	Spring, Leaf	1	1
18		1025104	Bracket, Legrest (Chrome)	1	1
19		11232X009	Screw, Lug (5/16-24 x 1-3/8")	1	1
20		7930363	Package, Locknut (5/16"-24)	25	2
21	M	1031358	Support Tube, Elevating Legrest, Chrome - Right	1	1
21	M	1031359	Support Tube, Elevating Legrest, Chrome - Left	1	1
21	N	1149473	Support Tube, Elevating Legrest, Silver Vein - Right	1	1
21	N	1149474	Support Tube, Elevating Legrest, Silver Vein - Left	1	1
22		1096773	Nut, Push Dome (5/16")	1	1
23		1031581	Legrest Support w/ Release Handle and Bumper Right	1	1
23		1031582	Legrest Support w/ Release Handle and Bumper Left	1	1
24		1107321	Nut, Low Cap (5/16"-24)	1	1
25	A	1037126	Handle, Release	1	1
26	D	1040060	Tip, Black Plastic	1	1
26	E	1006490	Tip, Plastic, Black	1	1
27	K,O	1031579	Legrest Support Assembly, Adult, Silver Vein - Right	1	1
27	K,O	1031580	Legrest Support Assembly, Adult, Chrome - Left	1	1
28	H,I	88804529X003	Pad, Legrest Vinyl - Right	1	1
28	H,I	88804529X004	Pad, Legrest Vinyl - Left	1	1
28	F,H	8881091759	Pad w/Cover and Screws, Legrest Vinyl (Pair)	2	1



## Legrest Support Assembly 94BK

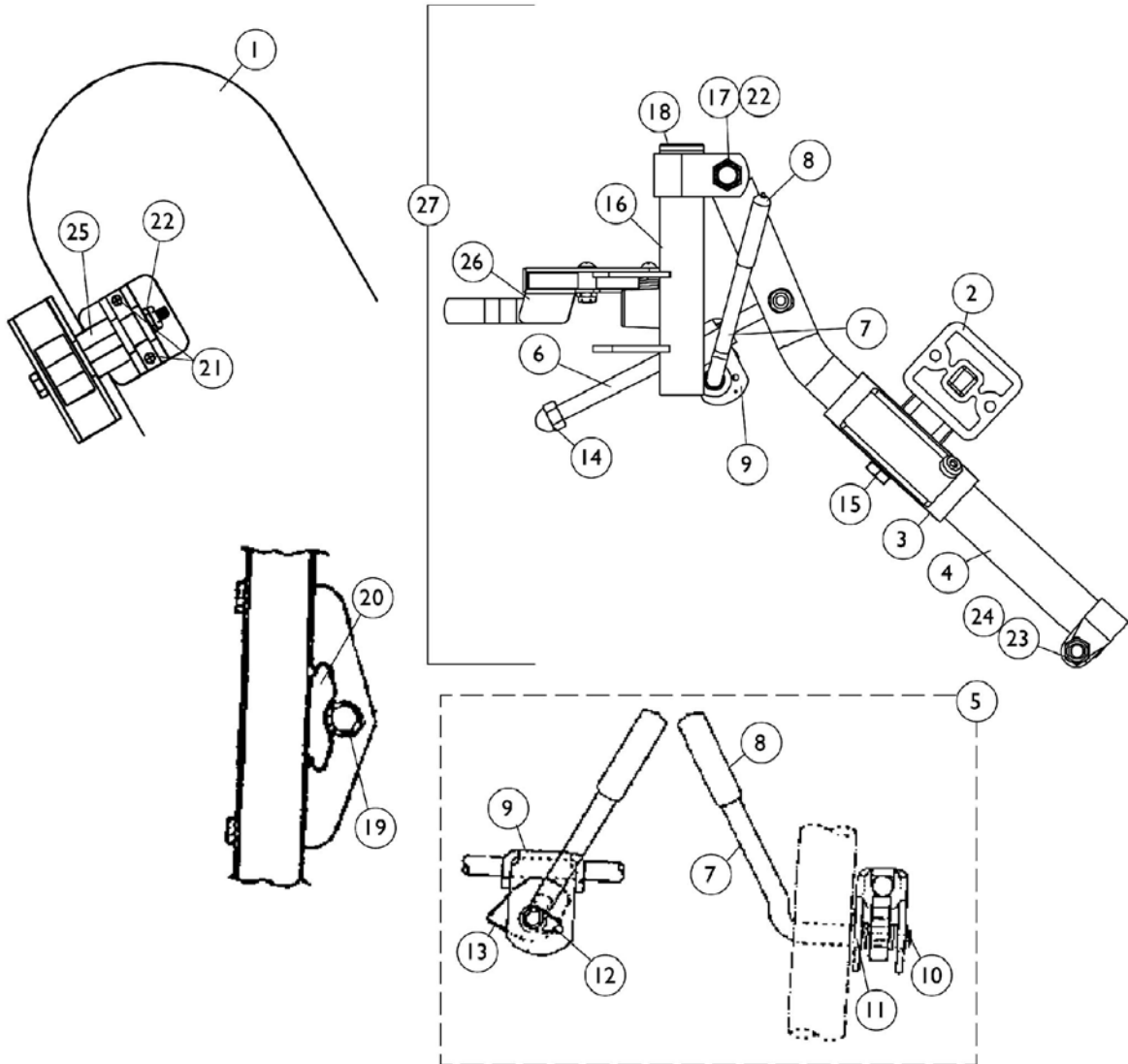
Item Number	Note	Part Number	Description	Quantity Per	
				Package	Assembly
28	G,H	8881091764	Pad, Legrest Vinyl - Right/Left	1	1
28	J	01446X000-NLA	Two Piece Plastic Pad	1	1
28	J	01415X000-NLA	Cover, Legrest Pad	1	1
29		1066591	Screws, Phillips Head (#10-32 x 11/16")	2	1
	L	See Chart	Pivot Slide Tubes with Aluminum Footplates	1	1
<p>NOTE: A - Due to product improvement - items 7, 10, 11 and 25 are no longer available for chairs built before 6/94. Ratchet bar kit (item 5) must be ordered for these chairs.            B - After 5/94, the snap ring replaced the roll pin to attach the ratchet handle to the ratchet.            C - Includes items 6-12 and 26 (Pair)            D - After 5/94            E - Before 6/94            F - Before 9/5/00 (16-24" Wide) (Pair)            G - After 9/4/00 (16-24" Wide) (Single)            H - Specify upholstery color when ordering, see Frame Finishes, Touch-Up Paints, Upholstery Options and Accent Packages page.            I - 14-15" Wide            J - 16-24"            K - Less Legrest Pad            L - Not Shown            M - Before 7/6/07            N - After 7/5/07            O - After 7/5/07 Color changed from chrome to silver vein. It is recommended to order in pairs to match</p>					

### Pivot Slide Tubes with Aluminum Footplates

Description	Size	Right	Left
Adult and Narrow Adult and Large Adult (Rubber Edged Plate)	(16" - 24")	1031216 See Note(s) A	1031217 See Note(s) A
Slim Narrow (Plain Aluminum Plate)	(14" - 15")	1030912 See Note(s) B	1030913 See Note(s) B
Extra Large (Black Aluminum Plate)	(16" - 24")	1031934	1031935
<p>NOTE: A - Front Riggings built before 12/93 had footplates with a flat black finish. After 11/93 the finish is "Wrinkle Black." For Front Riggings before 12/93, order in pairs to match.            B - Aluminum Footplates on chairs built before 2/96 had a "Bright Aluminum" finish. Footplates after 1/96 now have a black finish. For Front Riggings before 2/96, order in pairs to match.</p>			

# Legrest Support Assembly H94BK (14" - 24" Wide Chairs)

**NOTE:** Legrest pad and attaching hardware not included with support assembly. See item 1.



# Legrest Support Assembly H94BK (14" - 24" Wide Chairs)

Item Number	Note	Part Number	Description	Quantity Per	
				Package	Assembly
1	A,I	88804529X003	Pad, Legrest Vinyl - Right	1	1
1	A,I	88804529X004	Pad, Legrest Vinyl - Left	1	1
1	A,D	8881091759	Pad w/Cover and Screws, Legrest Vinyl (Pair)	2	1
1	A,E	8881091764	Pad, Legrest Vinyl - Right/Left	1	1
1	J	01446X000-NLA	Two Piece Plastic Pad	1	1
1	J	01415X000-NLA	Cover, Legrest Pad	1	1
2		04526X019	Plate, Legrest Pad	1	1
3		1025104	Bracket, Legrest (Chrome)	1	1
4	L	04526X040	Tube, Elevating Support (Chrome) - Right	1	1
4	L	04526X041	Tube, Elevating Support (Chrome) - Left	1	1
4	M	1149366	Tube, Elevating Support (Silver Vein) - Right	1	1
4	M	1149367	Tube, Elevating Support (Silver Vein) - Left	1	1
5	B,F	1046328	Ratchet Assembly Kit	2	1
6		42326X001	Bar, Ratchet	1	1
7	B	1037126	Handle, Release	1	1
8	G	1040060	Tip, Black Plastic	1	1
8	H	1006490	Tip, Plastic, Black	1	1
9	B	04528X002	Bracket, Release (Chrome)	1	1
10	C,G	1040831	Snap Ring	1	1
10	C,H	40187X000	Roll Pin	1	1
11		7930310	Washer, Nylon (5/16 x 11/16 x 1/16")	25	1
12	B	1037485	Spring, Release	1	1
13	B	1037125	Cam, Legrest	1	1
14		7930336	Nut, Acorn (5/16-24)	25	1
15		1014807	Screw, Hex Head (5/16-24 x 3-1/4")	1	1
16	N	1031210	Support Legrest w/ Release Handle and Bumper Right	1	1
16	N	1031211	Support Legrest w/ Release Handle and Bumper Left	1	1
17		1030948	Screw, Truss Head (5/16-24 x 1-1/2")	1	1
18		1027095	Plug Button, Black (7/8")	1	1
19		47328X003	Bushing, Pivot (5/16 x 7/16 x 7/8")	1	1
20		48823X008	Spring, Leaf	1	1
21		1066591	Screws, Phillips Head (#10-32 x 11/16")	2	1
22		7930363	Package, Locknut (5/16"-24)	25	2
23		11232X009	Screw, Lug (5/16-24 x 1-3/8")	1	1
24		1107321	Nut, Low Cap (5/16"-24)	1	1
25		1025133	Spacer, Legrest Pad	1	1
26		1023428	Handle, Release, Chrome - Right	1	1
26		1023431	Handle, Release, Chrome - Left	1	1

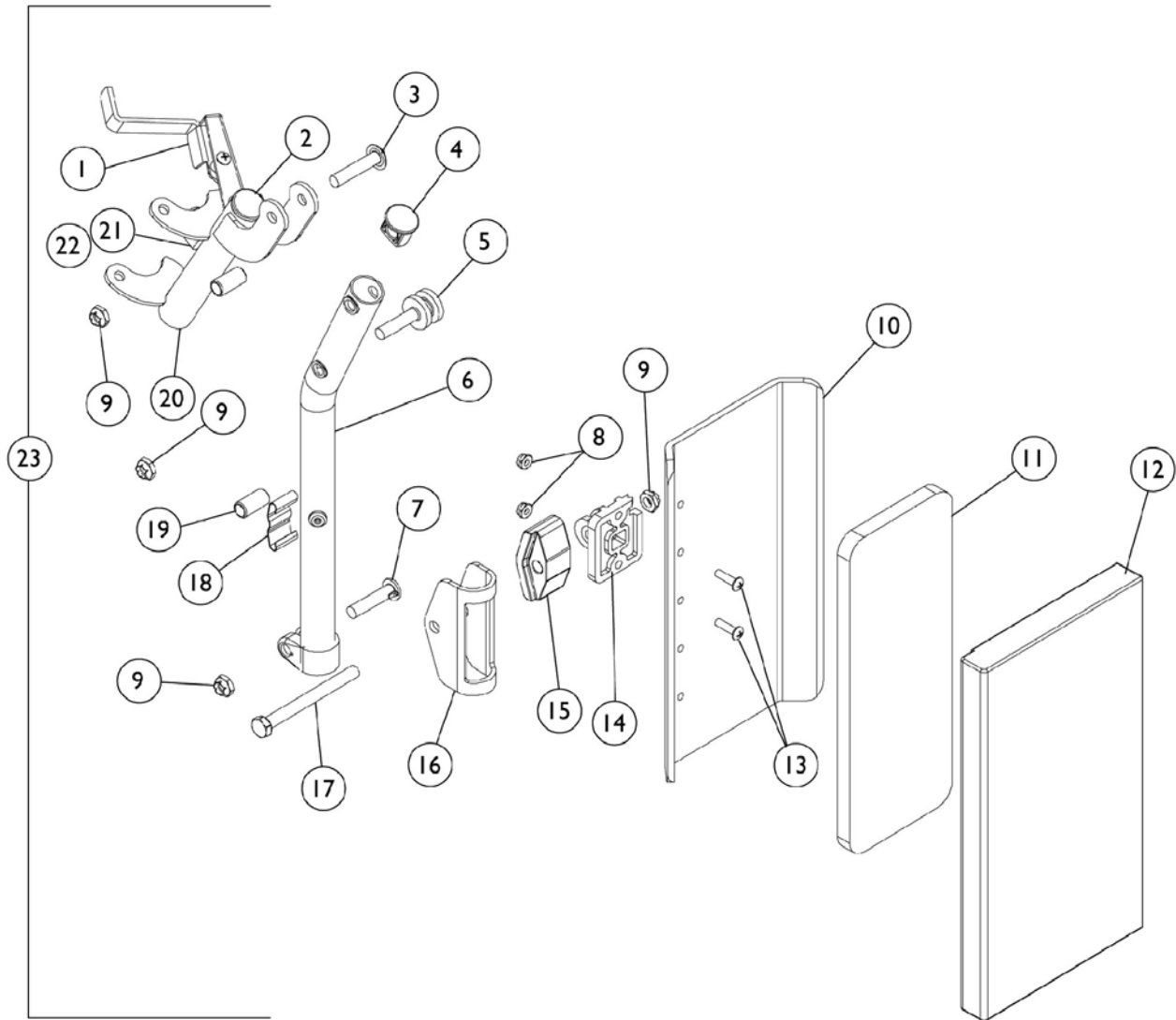
# Legrest Support Assembly H94BK (14" - 24" Wide Chairs)

Item Number	Note	Part Number	Description	Quantity Per	
				Package	Assembly
27	N	1042874	Legrest Support Assembly, Hemi, Silver Vein - Right	1	1
27	N	1042875	Legrest Support Assembly, Hemi, Silver Vein - Left	1	1
	K	See Chart	Pivot Slide Tubes with Aluminum Footplates	1	1
<p>NOTE: A - Specify upholstery color when ordering, see Frame Finishes, Touch-Up Paints, Upholstery Options and Accent Packages page.            B - Due to product improvement - items 7, 9, 12 and 13 are NLA for chairs built before 6/94. Ratchet bar kit (item 5) must be ordered for those chairs.            C - After 5/94, the snap ring replaced the roll pin to attach the ratchet handle to the ratchet.            D - Before 9/5/00 (16-24" Wide) (Pair)            E - After 9/4/00 (16-24" Wide) (Single)            F - Includes items 6-14 (Pair)            G - After 5/94            H - Before 6/94            I - 14-15" Wide            J - 16-24"            K - Not Shown            L - Before 7/6/07            M - After 7/5/07            N - After 7/5/07 Color changed from chrome to silver vein. It is recommended to order in pairs to match</p>					

## Pivot Slide Tubes with Aluminum Footplates

Description	Size	Right	Left
Adult and Narrow Adult and Large Adult (Rubber Edged Plate)	(16" - 24")	1031216 See Note(s) A	1031217 See Note(s) A
Slim Narrow (Plain Aluminum Plate)	(14" - 15")	1030912 See Note(s) B	1030913 See Note(s) B
Extra Large (Black Aluminum Plate)	(16" - 24")	1031934	1031935
<p>NOTE: A - Front Riggings built before 12/93 had footplates with a flat black finish. After 11/93 the finish is "Wrinkle Black." For Front Riggings before 12/93, order in pairs to match.            B - Aluminum footplates on chairs built before 2/96 had a "Bright Aluminum" finish. Footplates after 1/96 now have a black finish. For Front Riggings before 2/96, order in pairs to match.</p>			

# Legrest Support Assembly 94BKR (16" to 24" Wide Chairs)



## Legrest Support Assembly 94BKR (16" to 24" Wide Chairs)

Item Number	Note	Part Number	Description	Quantity Per	
				Package	Assembly
1		1023428	Handle, Release, Chrome - Right	1	1
1		1023431	Handle, Release, Chrome - Left	1	1
1	A	1031469	Handle, Release (Black) - Right	1	1
1	A	1031470	Handle, Release (Black) - Left	1	1
	B	7930359	Screw, Phillips Pan Head (#10-32 x 1/2")	25	1
	B	67005X000	Rivnut (#10-32)	1	1
	B	1008935	Spring, Release - Right	1	1
	B	1008936	Spring, Release - Left	1	1
	B	47565X057	Bushing (7/32 x 3/8 x 11/32")	1	1
2		1027095	Plug Button, Black (7/8")	1	1
3		1030948	Screw, Truss Head (5/16-24 x 1-1/2")	1	1
4		1095433	Plug Button, Black (7/8")	1	1
5		1017021	Stud	1	1
6	C	1031358	Support Tube, Elevating Legrest, Chrome - Right	1	1
6	C	1031359	Support Tube, Elevating Legrest, Chrome - Left	1	1
6	D	1149473	Support Tube, Elevating Legrest, Silver Vein - Right	1	1
6	D	1149474	Support Tube, Elevating Legrest, Silver Vein - Left	1	1
7		11232X009	Screw, Lug (5/16-24 x 1-3/8")	1	1
8		7930365	Locknut (#10-32)	25	2
9		7930363	Package, Locknut (5/16"-24)	25	1
10		47071X405	Leg Trough	1	1
11		43022X182	Foam	1	1
12		1002848	Cover	1	1
13		7930360	Screw, Phillips Pan Head (#10-32 x 11/16")	25	2
14		04526X019	Plate, Legrest Pad	1	1
15		1091220	Spacer	1	1
16		1025104	Bracket, Legrest (Chrome)	1	1
17		1014807	Screw, Hex Head (5/16-24 x 3-1/4")	1	1
18		48823X008	Spring, Leaf	1	1
19		47328X003	Bushing, Pivot (5/16 x 7/16 x 7/8")	1	1
20		1031581	Legrest Support w/ Release Handle and Bumper Right	1	1
20		1031582	Legrest Support w/ Release Handle and Bumper Left	1	1
20	A,E	1033965	Legrest Support w/ Release Handle and Bumper, Right	1	1
20	A,E	1033966	Legrest Support w/ Release Handle and Bumper, Left	1	1
21		1022874	Bumper	1	1
22		1030979	Screw, Phillips Pan Head Tap (#10-32 x 3/4")	1	1

## Legrest Support Assembly 94BKR (16" to 24" Wide Chairs)

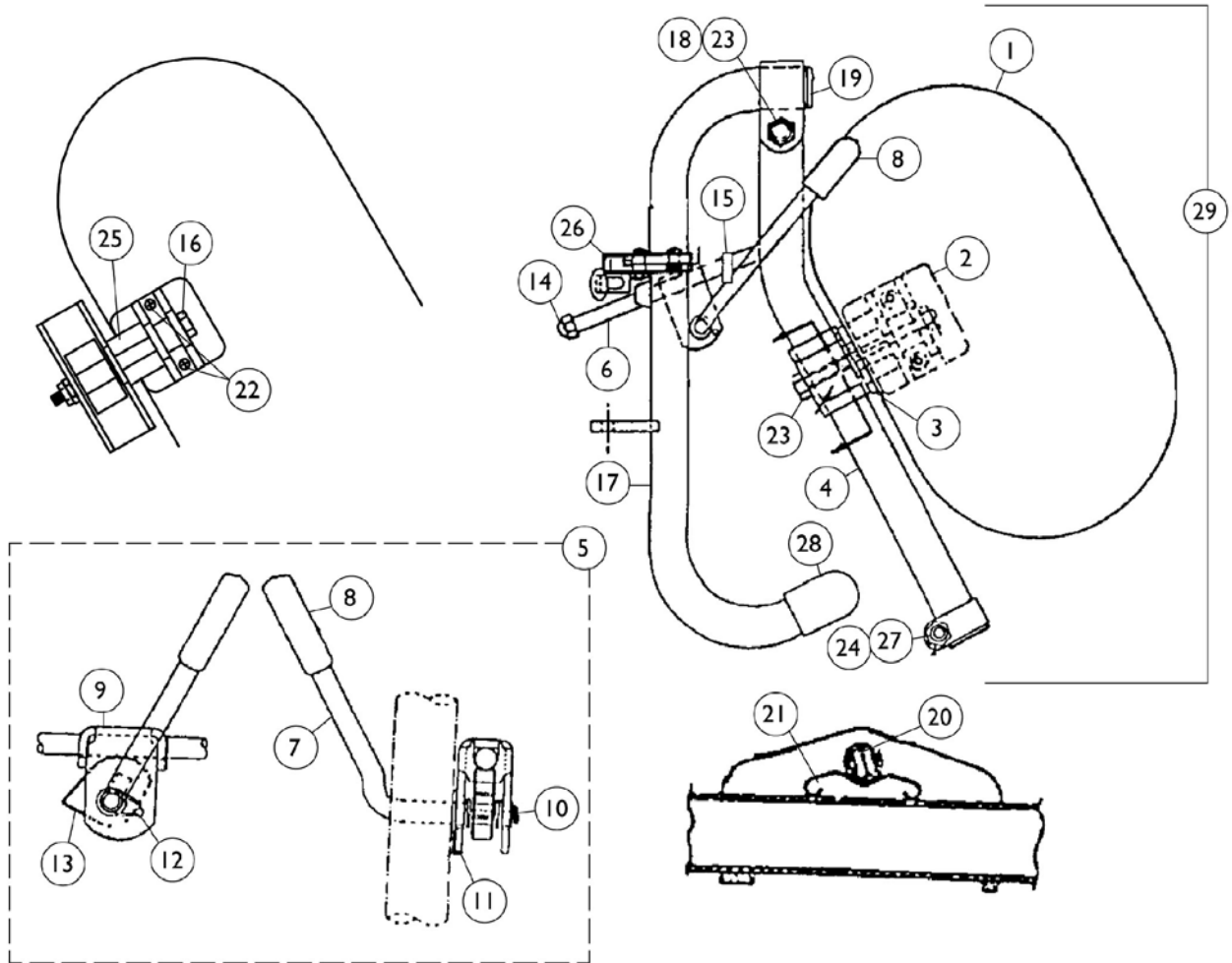
Item Number	Note	Part Number	Description	Quantity Per	
				Package	Assembly
23	E	1031583	Legrest Support Assembly, Adult, Silver Vein - Right	1	1
23	E	1031584	Legrest Support Assembly, Adult, Silver Vein - Left	1	1
23	A,E	1034602	Legrest Support Assembly, Adult, Silver Vein - Right	1	1
23	A,E	1034603	Legrest Support Assembly, Adult, Silver Vein - Left	1	1
	B	See Chart	Pivot Slide Tube with Aluminum Footplate	1	1
NOTE: A - Only used on Power Back Recliners with Multi-Function Frames. B - Not Shown C - Before 7/6/07 D - After 7/5/07 E - After 7/5/07 Color changed from chrome to silver vein. It is recommended to order in pairs to match					

### Pivot Slide Tube with Aluminum Footplate

Description	Size	Right	Left
Adult, Narrow Adult and Large Adult (Rubber Edged Plate)	(16" - 24")	1031216 See Note(s) A	1031217 See Note(s) A
Slim Narrow (Plain Aluminum Plate)	(14" - 15")	1030912 See Note(s) B	1030913 See Note(s) B
Extra Large (Black Aluminum Plate)	16" - 24")	1031934	1031935
NOTE: A - Front Riggings built before 12/93 had footplates with a flat black finish. After 11/93 the finish is "Wrinkle Black." For Front Riggings before 12/93, order in pairs to match. B - Aluminum footplates on chairs built before 2/96 had a "Bright Aluminum" finish. Footplates after 1/96 now have a black finish. For Front Riggings before 2/96, order in pairs to match.			

# Legrest Support Assembly 96BK (14" - 24" Wide Chairs)

**NOTE:** Legrest pad and attaching hardware not included with support assembly. See item 1.





# Legrest Support Assembly

## 96BK

### (14" - 24" Wide Chairs)

Item Number	Note	Part Number	Description	Quantity Per	
				Package	Assembly
1	A,I	88804529X003	Pad, Legrest Vinyl - Right	1	1
1	A,I	88804529X004	Pad, Legrest Vinyl - Left	1	1
1	A,D	8881091759	Pad w/Cover and Screws, Legrest Vinyl (Pair)	2	1
1	A,D	8881091764	Pad, Legrest Vinyl - Right/Left	1	1
1	J	01446X000-NLA	Two Piece Plastic Pad	1	1
1	J	01415X000-NLA	Cover, Legrest Pad	1	1
2		04526X019	Plate, Legrest Pad	1	1
3		1025104	Bracket, Legrest (Chrome)	1	1
4	L	04526X040	Tube, Elevating Support (Chrome) - Right	1	1
4	L	04526X041	Tube, Elevating Support (Chrome) - Left	1	1
4	M	1149366	Tube, Elevating Support (Silver Vein) - Right	1	1
4	M	1149367	Tube, Elevating Support (Silver Vein) - Left	1	1
5	B,F	1046328	Ratchet Assembly Kit	2	1
6		42326X001	Bar, Ratchet	1	1
7	B	1037126	Handle, Release	1	1
8	G	1040060	Tip, Black Plastic	1	1
8	H	1006490	Tip, Plastic, Black	1	1
9	B	04528X002	Bracket, Release (Chrome)	1	1
10	C,G	1040831	Snap Ring	1	1
10	C,H	40187X000	Roll Pin	1	1
11		7930310	Washer, Nylon (5/16 x 11/16 x 1/16")	25	1
12	B	1037485	Spring, Release	1	1
13	B	1037125	Cam, Legrest	1	1
14		7930336	Nut, Acorn (5/16-24)	25	1
15		47330X003	Spacer (5/16 x 1/2 x 3/8")	1	1
16		1014807	Screw, Hex Head (5/16-24 x 3-1/4")	1	1
17	N	1031475	Legrest Support w/ Release Handle & Bumper Right	1	1
17	N	1031476	Legrest Support w/ Release Handle & Bumper Left	1	1
18		11919X000	Screw, Truss Head (3/8-16 x 1-1/2")	1	1
19		1027095	Plug Button, Black (7/8")	1	1
20		47328X003	Bushing, Pivot (5/16 x 7/16 x 7/8")	1	1
21		48823X008	Spring, Leaf	1	1
22		1066591	Screws, Phillips Head (#10-32 x 11/16")	2	1
23		7930363	Package, Locknut (5/16"-24)	25	2
24		11232X009	Screw, Lug (5/16-24 x 1-3/8")	1	1
25		1025133	Spacer, Legrest Pad	1	1
26		1023428	Handle, Release, Chrome - Right	1	1
26		1023431	Handle, Release, Chrome - Left	1	1
27		40363X000	Hex Nut (3/8"-16)	1	1

# Legrest Support Assembly 96BK (14" - 24" Wide Chairs)

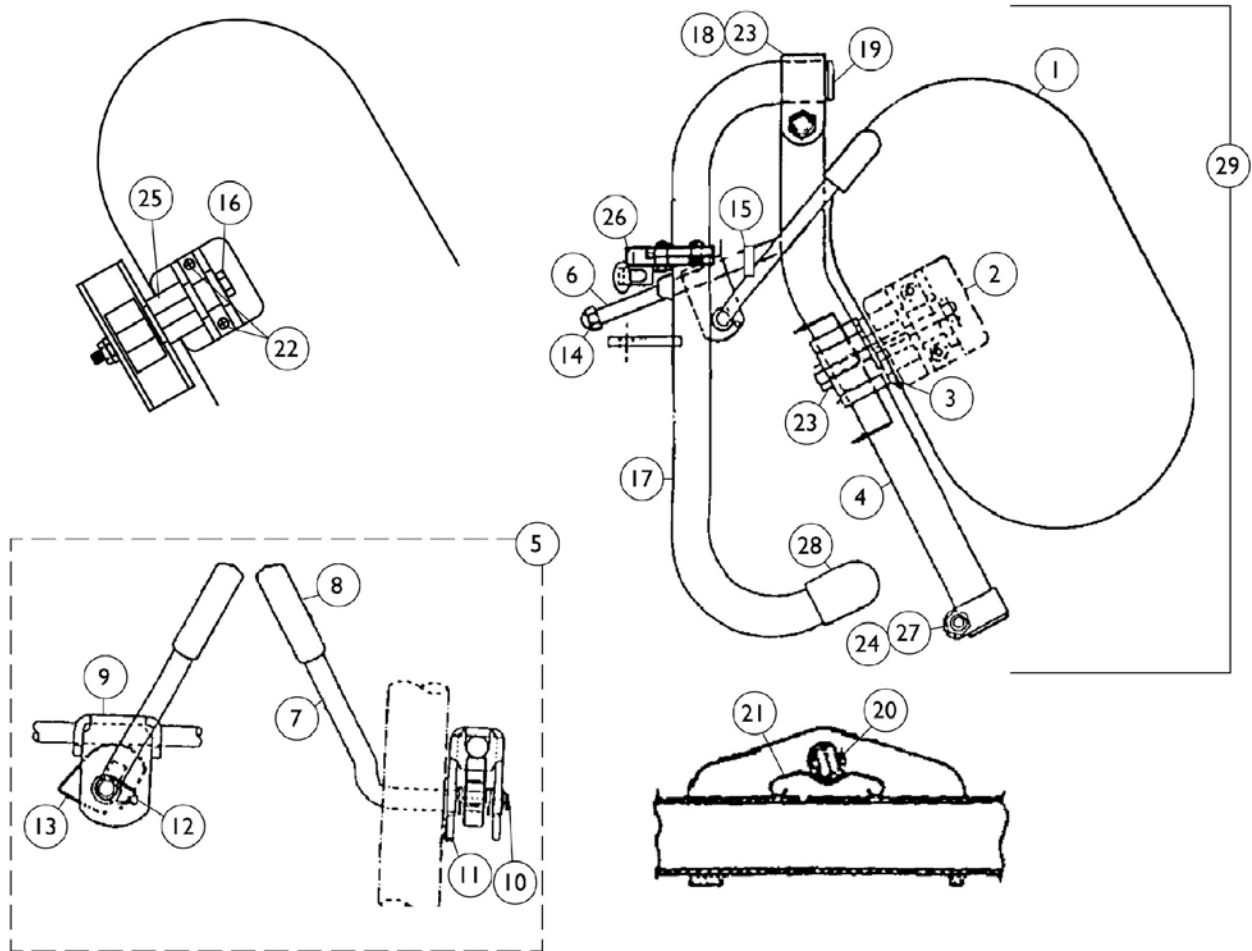
Item Number	Note	Part Number	Description	Quantity Per	
				Package	Assembly
28		1016346	Cap, Tube End (7/8")	1	1
29	N	1031713	Legrest Support Assembly, Adult, Silver Vein - Right	1	1
29	N	1031714	Legrest Support Assembly, Adult, Silver Vein - Left	1	1
	K	See Chart	Pivot Slide Tubes with Aluminum Footplates	1	1
<p>NOTE: A - Specify upholstery color when ordering, see Frame Finishes, Touch-Up Paints, Upholstery Options and Accent Packages page.            B - Due to product improvement - items 7, 9, 12 and 13 are NLA for chairs built before 6/94. Ratchet bar kit (item 5) must be ordered for those chairs.            C - After 5/94, the snap ring replaced the roll pin to attach the ratchet handle to the ratchet.            D - Before 9/5/00 (16-24" Wide) (Pair)            F - Includes items 6-15 (Pair)            G - After 5/94            H - Before 6/94            I - 14-15" Wide            J - 16-24"            K - Not Shown            L - Before 7/6/07            M - After 7/5/08            N - After 7/5/07 Color changed from chrome to silver vein. It is recommended to order in pairs to match</p>					

## Pivot Slide Tubes with Aluminum Footplates

Description	Size	Right	Left
Adult and Narrow Adult and Large Adult (Rubber Edged Plate)	(16" - 24")	1031216 See Note(s) A	1031217 See Note(s) A
Slim Narrow (Plain Aluminum Plate)	(14" - 15")	1030912 See Note(s) B	1030913 See Note(s) B
Extra Large (Black Aluminum Plate)	(16" - 24")	1031934	1031935
<p>NOTE: A - Front Riggings built before 12/93 had footplates with a black finish. After 11/93 the finish is "Wrinkle Black." For Front Riggings before 12/93, order in pairs to match.            B - Aluminum footplates on chairs built before 2/96 had a "Bright Aluminum" finish. Footplates after 1/96 now have a black finish. For Front Riggings before 2/96, order in pairs to match.</p>			

# Legrest Support Assembly H96BK (14" - 24" Wide Chairs)

**NOTE:** Legrest pad and attaching hardware not included with support assembly. See item 1.



## Legrest Support Assembly H96BK (14" - 24" Wide Chairs)

Item Number	Note	Part Number	Description	Quantity Per	
				Package	Assembly
1	A,I	88804529X003	Pad, Legrest Vinyl - Right	1	1
1	A,I	88804529X004	Pad, Legrest Vinyl - Left	1	1
1	A,D	8881091759	Pad w/Cover and Screws, Legrest Vinyl (Pair)	2	1
1	A,E	8881091764	Pad, Legrest Vinyl - Right/Left	1	1
1	J	01446X000-NLA	Two Piece Plastic Pad	1	1
1	J	01415X000-NLA	Cover, Legrest Pad	1	1
2		04526X019	Plate, Legrest Pad	1	1
3		1025104	Bracket, Legrest (Chrome)	1	1
4	L	04526X040	Tube, Elevating Support (Chrome) - Right	1	1
4	L	04526X041	Tube, Elevating Support (Chrome) - Left	1	1
4	M	1149366	Tube, Elevating Support (Silver Vein) - Right	1	1
4	M	1149367	Tube, Elevating Support (Silver Vein) - Left	1	1
5	B,F	1046328	Ratchet Assembly Kit	2	1
6		42326X001	Bar, Ratchet	1	1
7	B	1037126	Handle, Release	1	1
8	G	1040060	Tip, Black Plastic	1	1
8	H	1006490	Tip, Plastic, Black	1	1
9	B	04528X002	Bracket, Release (Chrome)	1	1
10	C,G	1040831	Snap Ring	1	1
10	C,H	40187X000	Roll Pin	1	1
11		7930310	Washer, Nylon (5/16 x 11/16 x 1/16")	25	1
12	B	1037485	Spring, Release	1	1
13	B	1037125	Cam, Legrest	1	1
14		7930336	Nut, Acorn (5/16-24)	25	1
15		47330X003	Spacer (5/16 x 1/2 x 3/8")	1	1
16		1014807	Screw, Hex Head (5/16-24 x 3-1/4")	1	1
17	N	1031225	Legrest Support w/ Release Handle & Bumper Right	1	1
17	N	1031226	Legrest Support w/ Release Handle & Bumper Left	1	1
18		11919X000	Screw, Truss Head (3/8-16 x 1-1/2")	1	1
19		1027095	Plug Button, Black (7/8")	1	1
20		47328X003	Bushing, Pivot (5/16 x 7/16 x 7/8")	1	1
21		48823X008	Spring, Leaf	1	1
22		1066591	Screws, Phillips Head (#10-32 x 11/16")	2	1
23		7930363	Package, Locknut (5/16"-24)	25	2
24		11232X009	Screw, Lug (5/16-24 x 1-3/8")	1	1
25		1025133	Spacer, Legrest Pad	1	1
26		1023428	Handle, Release, Chrome - Right	1	1
26		1023431	Handle, Release, Chrome - Left	1	1
27		40363X000	Hex Nut (3/8"-16)	1	1
28		1016346	Cap, Tube End (7/8")	1	1

## Legrest Support Assembly H96BK (14" - 24" Wide Chairs)

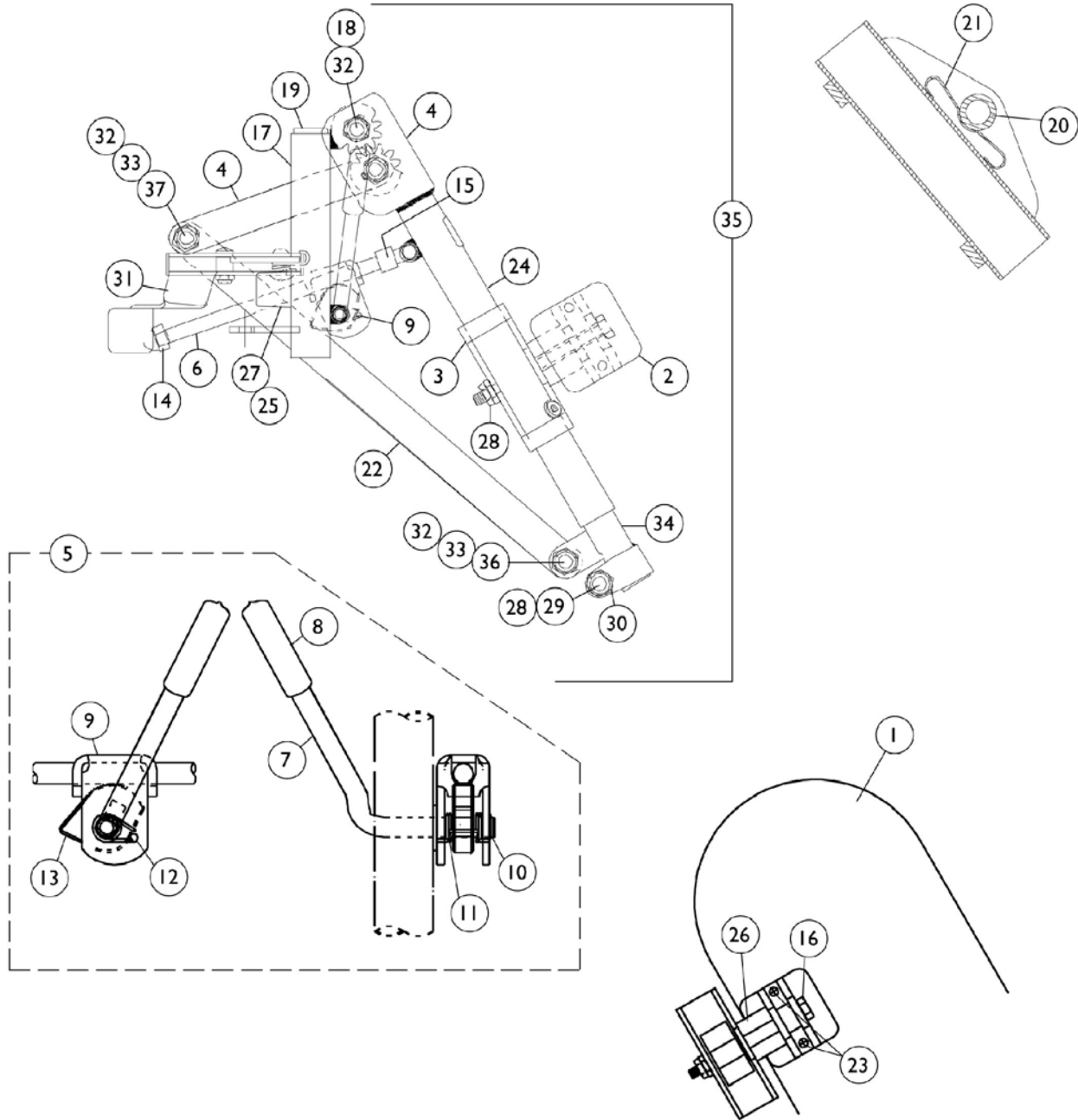
Item Number	Note	Part Number	Description	Quantity Per	
				Package	Assembly
29	N	1042872	Legrest Support Assembly, Hemi, Silver Vein - Right	1	1
29	N	1042873	Legrest Support Assembly, Hemi, Silver Vein - Left	1	1
	K	See Chart	Pivot Slide Tubes with Aluminum Footplates	1	1
<p>NOTE: A - Specify upholstery color when ordering, see Frame Finishes, Touch-Up Paints, Upholstery Options and Accent Packages page.            B - Due to product improvement - items 7, 9, 12 and 13 are NLA for chairs built before 6/94. Ratchet bar kit (item 5) must be ordered for those chairs.            C - After 5/94, the snap ring replaced the roll pin to attach the ratchet handle to the ratchet.            D - Before 9/5/00 (16-24" Wide) (Pair)            E - After 9/4/00 (16-24" Wide) (Single)            F - Includes items 6-15 (Pair)            G - After 5/94            H - Before 6/94            I - 14-15" Wide            J - 16-24"            K - Not Shown            L - Before 7/6/07            M - After 7/5/07            N - After 7/5/07 Color changed from chrome to silver vein. It is recommended to order in pairs to match</p>					

### Pivot Slide Tubes with Aluminum Footplates

Description	Size	Right	Left
Adult and Narrow Adult and Large Adult (Rubber Edged Plate)	(16" - 24")	1031216 See Note(s) A	1031217
Slim Narrow (Plain Aluminum Plate)	(14" - 15")	1030912	1030913
<p>NOTE: A - Front Riggings built before 12/93 had footplates with a flat black finish. After 11/93 the finish is "Wrinkle Black." For Front Riggings before 12/93, order in pairs to match.</p>			

# Legrest Support Assembly AHL4 & AHS4

**NOTE: Legrest pad and attaching hardware not included with support assemblies. See item 1.**



## Legrest Support Assembly AHL4 & AHS4

Item Number	Note	Part Number	Description	Quantity Per	
				Package	Assembly
1	A,J	8881091759	Pad w/Cover and Screws, Legrest Vinyl (Pair)	2	1
1	A,J	8881091764	Pad, Legrest Vinyl - Right/Left	1	1
1	A,J	8881091700	Pad, Legrest	1	1
1	A,J	01415X000-NLA	Cover, Legrest Pad	1	1
1	A,K	88804529X003	Pad, Legrest Vinyl - Right	1	1
1	A,K	88804529X004	Pad, Legrest Vinyl - Left	1	1
2		04526X019	Plate, Legrest Pad	1	1
3		1025104	Bracket, Legrest (Chrome)	1	1
4		1022877	Tube Support and Drive Link - Right	1	1
4		1022878	Tube Support and Drive Link - Left	1	1
5	B,F	1046329	Kit, Elevating Legrest Ratchet Hardware	2	1
6		42326X004	Bar, Ratchet - Right/Left	1	1
7	B	1037126	Handle, Release	1	1
8	G	1040060	Tip, Black Plastic	1	1
8	H	1006490	Tip, Plastic, Black	1	1
9	B	04528X002	Bracket, Release (Chrome)	1	1
10	A,G	1040831	Snap Ring	1	1
10	A,H	40187X000	Roll Pin	1	1
11		7930310	Washer, Nylon (5/16 x 11/16 x 1/16")	25	1
12	B	1037485	Spring, Release	1	1
13	B	1037125	Cam, Legrest	1	1
14		7930336	Nut, Acorn (5/16-24)	25	1
15		47328X003	Bushing, Pivot (5/16 x 7/16 x 7/8")	1	1
16		1014807	Screw, Hex Head (5/16-24 x 3-1/4")	1	1
17		1023090	Legrest Support Only, Right	1	1
17		1023091	Legrest Support Only, Left	1	1
17		1023092	Legrest Support with Handle and Bumper (Chrome) - Right	1	1
17		1023093	Legrest Support with Handle and Bumper (Chrome) - Left	1	1
18		1022854	Screw, Slotted Head Shoulder (1/2 x 1-1/8")	1	1
19	G	1027097	Plug Button, Black (3/4")	1	1
19	H	40144X001	Plug Button, Chrome (3/4")	1	1
20		47328X003	Bushing, Pivot (5/16 x 7/16 x 7/8")	1	1
21		48823X008	Spring, Leaf	1	1
22		1022846	Bar, Link, Chrome	1	1
23		1066591	Screws, Phillips Head (#10-32 x 11/16")	2	1
24		1024911	Decal, Smartleg	1	1
25		1030979	Screw, Phillips Pan Head Tap (#10-32 x 3/4")	1	1
26		1025133	Spacer, Legrest Pad	1	1
27		1022874	Bumper	1	1
28		7930363	Package, Locknut (5/16"-24)	25	2
28		1107321	Nut, Low Cap (5/16"-24)	1	1
29		11232X009	Screw, Lug (5/16-24 x 1-3/8")	1	1

## Legrest Support Assembly AHL4 & AHS4

Item Number	Note	Part Number	Description	Quantity Per	
				Package	Assembly
30		1027377	Washer (#20)	1	1
31		1031235	Handle, Release, Chrome - Right	1	1
30		1031236	Handle, Release, Chrome - Left	1	1
32		40363X000	Hex Nut (3/8"-16)	1	3
33		1022866	Screw, Socket Button Head (3/8-16 x 3/4")	1	2
34		1022848	Slide Tube, Articulating (Chrome) - Right	1	1
35		1031437	Legrest Support Assembly, Articulating, Hemi, Chrome - Right	1	1
36		1031438	Legrest Support Assembly, Articulating, Hemi, Chrome - Left	1	1
37		1049527	Washer, Nylon (3/8 x 3/4 x 1/16")	1	1
	I	See Chart	Pivot Slide Tube with Aluminum Footplate	1	1

NOTE: A - Specify upholstery color when ordering, see Frame Finishes, Touch-Up Paints, Upholstery Options and Accent Packages page.  
 B - Due to product improvement, items 7, 9, 12 and 13 are NLA for chairs built before 6/94. Ratchet bar kit (item 5) must be ordered for those chairs.  
 F - Includes items 6-15 (Pair)  
 G - After 5/94  
 H - Before 6/94  
 I - Not Shown  
 J - Used on AHL4 only.  
 K - Used on AHS4 only.

### Pivot Slide Tube with Aluminum Footplate

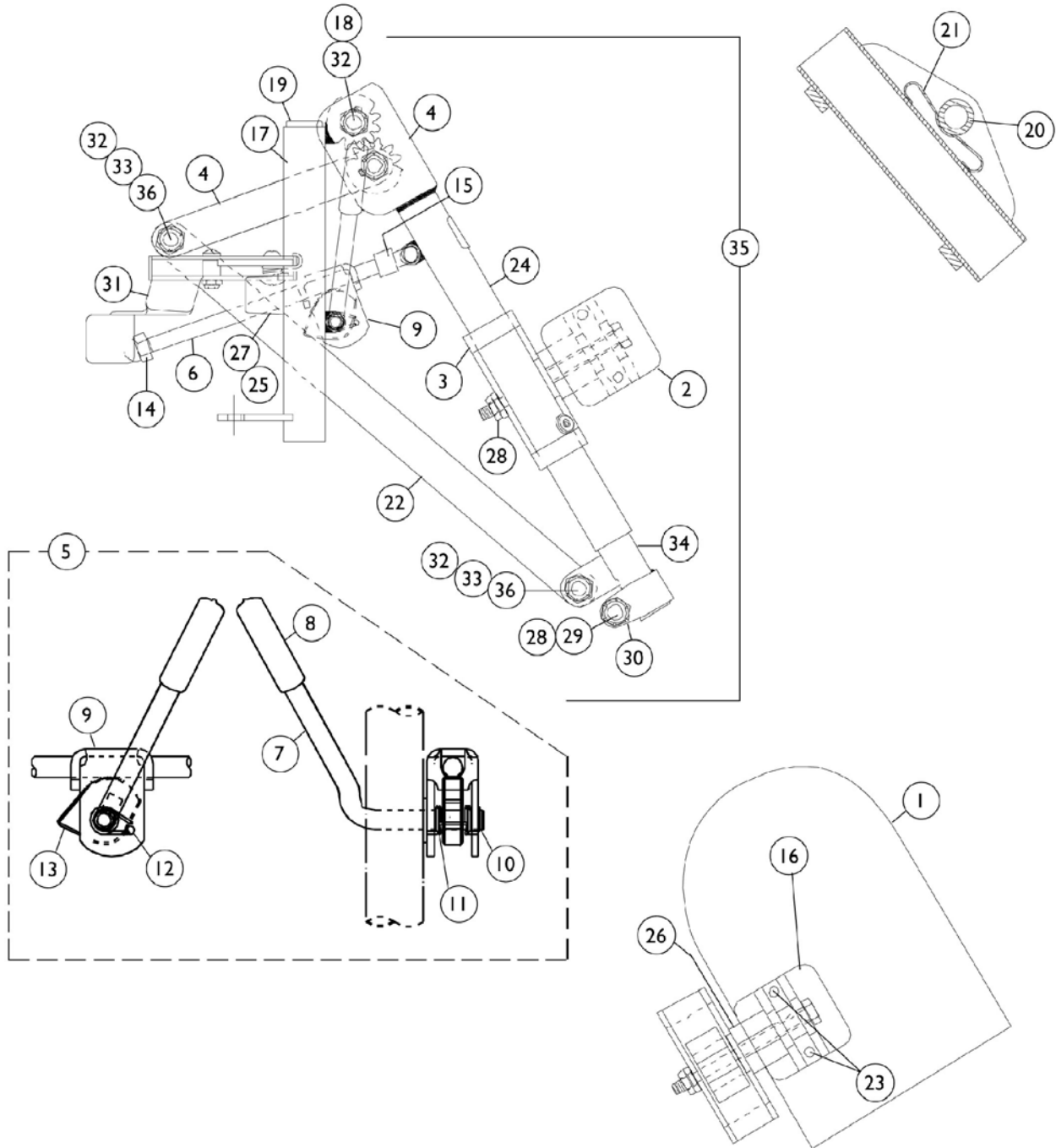
Description	Size	Right	Left
Adult and Narrow (Plain Aluminum Plate)	(16" - 24")	1023907 See Note(s) A	1023908
Slim Narrow (Plain Aluminum Plate)	(14" - 15")	1023905 See Note(s) A	1023906 See Note(s) A

NOTE: A - Aluminum footplates on chairs built before 2/96 had a "Bright Aluminum" finish. Footplates after 1/96 now have a black finish. For Front Riggings before 2/96, order in pairs to match.



# Legrest Support Assembly AS4 & AL4

**NOTE:** Legrest pad and attaching hardware are not included with the support assembly. See item #1.



# Legrest Support Assembly AS4 & AL4

**NOTE: Legrest pad and attaching hardware are not included with the support assembly. See item #1.**

Item Number	Note	Part Number	Description	Quantity Per	
				Package	Assembly
1	A,I	88804529X003	Pad, Legrest Vinyl - Right	1	1
1	A,I	88804529X004	Pad, Legrest Vinyl - Left	1	1
1	A,J,K	8881091759	Pad w/Cover and Screws, Legrest Vinyl (Pair)	1	1
1	A,J,L	8881091764	Pad, Legrest Vinyl - Right/Left	1	1
1	A,J	8881091700	Pad, Legrest	1	1
1	A,J	01415X000-NLA	Cover, Legrest Pad	1	1
2		04526X019	Plate, Legrest Pad	1	1
3		1025104	Bracket, Legrest (Chrome)	1	1
4		1022877	Tube Support and Drive Link - Right	1	1
4		1022878	Tube Support and Drive Link - Left	1	1
5	B,D	1046329	Kit, Elevating Legrest Ratchet Hardware	1	1
6		42326X004	Bar, Ratchet - Right/Left	2	1
7	B	1037126	Handle, Release	1	1
8	E	1040060	Tip, Black Plastic	1	1
8	F	1006490	Tip, Plastic, Black	1	1
9	B	04528X002	Bracket, Release (Chrome)	1	1
10	C,E	1040831	Snap Ring	1	1
10	C,F	40187X000	Roll Pin	1	1
11		7930310	Washer, Nylon (5/16 x 11/16 x 1/16")	1	1
12	B	1037485	Spring, Release	25	1
13	B	1037125	Cam, Legrest	1	1
14		7930336	Nut, Acorn (5/16-24)	1	1
15		47328X003	Bushing, Pivot (5/16 x 7/16 x 7/8")	1	1
16		1014807	Screw, Hex Head (5/16-24 x 3-1/4")	1	1
17		1022862	Legrest Support Only - Right	1	1
17		1022863	Legrest Support Only - Left	1	1
17		1022871	Support with Handle & Bumper, Legrest - Right	1	1
17		1022872	Support with Handle & Bumper, Legrest - Left	1	1
18		1022854	Screw, Slotted Head Shoulder (1/2 x 1-1/8")	1	1
19	E	1027097	Plug Button, Black (3/4")	1	1
19	F	40144X001	Plug Button, Chrome (3/4")	1	1
20		47328X003	Bushing, Pivot (5/16 x 7/16 x 7/8")	1	1
21		48823X008	Spring, Leaf	1	1
22		1022846	Bar, Link, Chrome	1	1
23		1066591	Screws, Phillips Head (#10-32 x 11/16")	2	1
24		1024911	Decal, Smartleg	1	1
25		1030979	Screw, Phillips Pan Head Tap (#10-32 x 3/4")	1	1
26		1025133	Spacer, Legrest Pad	1	1
27		1022874	Bumper	1	1
28		7930363	Package, Locknut (5/16"-24)	25	2
29		11232X009	Screw, Lug (5/16-24 x 1-3/8")	1	1
30		1027377	Washer (#20)	1	1

## Legrest Support Assembly AS4 & AL4

**NOTE: Legrest pad and attaching hardware are not included with the support assembly. See item #1.**

Item Number	Note	Part Number	Description	Quantity Per	
				Package	Assembly
31		1031235	Handle, Release, Chrome - Right	1	1
31		1031236	Handle, Release, Chrome - Left	1	1
32		40363X000	Hex Nut (3/8"-16)	1	3
33		1022866	Screw, Socket Button Head (3/8-16 x 3/4")	1	2
34		1022848	Slide Tube, Articulating (Chrome) - Right	1	1
35	G	1031498	Legrest Support Assembly, Articulating, Adult, Chrome - Right	1	1
35	G	1031499	Legrest Support Assembly, Articulating, Adult, Chrome - Left	1	1
36		1049527	Washer, Nylon (3/8 x 3/4 x 1/16")	1	1
	H	See Chart	Pivot Slide Tube with Aluminum Footplate	1	1

NOTE: A - Specify upholstery color when ordering, see Frame Finishes, Touch-Up Paints, Upholstery Options and Accent Packages page.  
 B - Due to product improvement - items 7, 9, 12 and 13 are NLA for chairs built before 6/94. Ratchet bar kit (item 5) must be ordered for those chairs.  
 C - After 5/94, the snap ring replaced the roll pin to attach the ratchet handle to the ratchet.  
 D - Includes items 6 through 15 (Pair)  
 E - After 5/94  
 F - Before 6/94  
 G - Less Legrest Pad  
 H - Not Shown  
 I - Used on AS4 only.  
 J - Used on AL4 only.  
 K - Before 9/5/00 (16-24" Wide Chairs) (Pair)  
 L - After 9/4/00 (16-24" Wide Chairs) (Single)

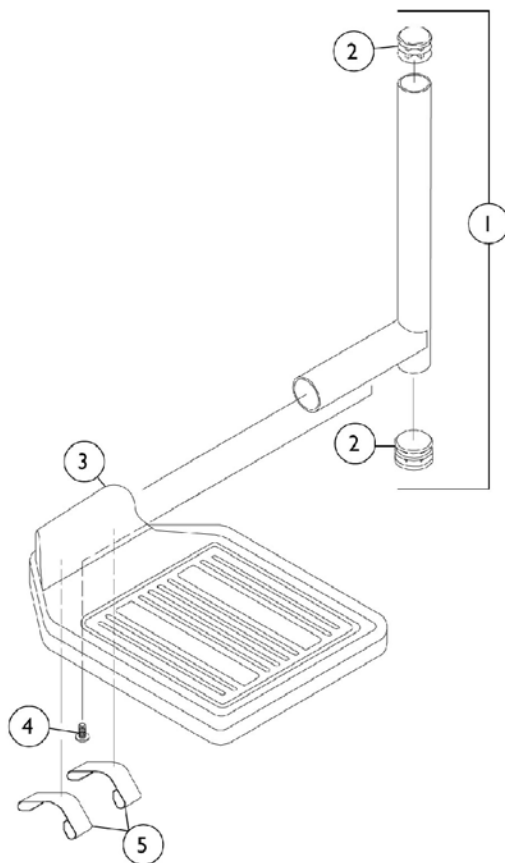
### Pivot Slide Tube with Aluminum Footplate

Description	Size	Right	Left
Slim Narrow (Plain Aluminum Plate)	(14" - 15")	1023905 See Note(s) A	1023906 See Note(s) A
Adult and Narrow (Plain Aluminum Plate)	(16" - 24")	1023907 See Note(s) A	1023908 See Note(s) A

NOTE: A - Aluminum footplates on chairs built before 2/96 had a "Bright Aluminum" finish. Footplates after 1/96 now have a black finish. For Front Riggings before 2/96, order in pairs to match.

# Pivot Slide Tube with Footplates

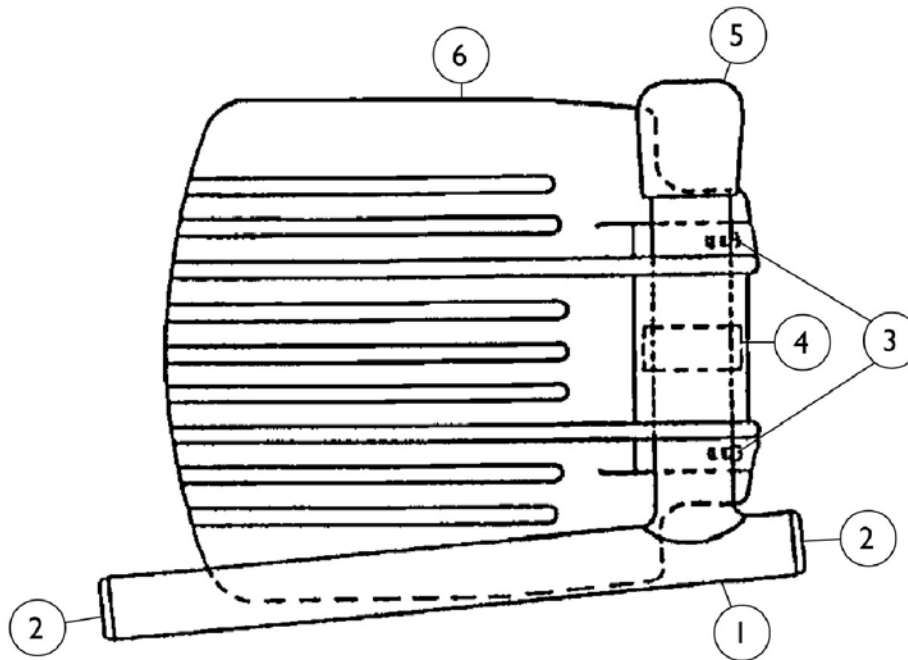
For 93E, 93M, 93M2, H93E, H93M, H93M2 Assemblies  
(16" to 24" Chairs)



## Pivot Slide Tube with Footplates For 93E, 93M, 93M2, H93E, H93M, H93M2 Assemblies (16" to 24" Chairs)

Item Number	Note	Part Number	Description	Quantity Per	
				Package	Assembly
1		7500084	Pivot Slide Tube with Plug Button (Chrome)	1	1
2		1027097	Plug Button, Black (3/4")	1	2
3	A	1044213	Footplate with Rubber Edge (Pair)	2	1
3		1043659	Footplate, Aluminum - Deluxe (8" W x 5-3/4" L) - Right	1	1
3		1043660	Footplate, Aluminum - Deluxe (8" W x 5-3/4" L) - Left	1	1
4		7930354	Package, Phillips Head Screw (#8-32 x 3/8")	25	1
5		1036120	Spring	1	2
	A,B	1028905	Pivot Slide Tube w/ Rubber Edge Footplate Right	1	1
	A,B	1028906	Pivot Slide Tube w/ Rubber Edge Footplate Left	1	1
NOTE: A - Front Riggings built before 12/93 had footplates with a flat black finish. After 11/93 the finish is "Wrinkle Black." For Front Riggings before 12/93, order in pairs to match. B - Not Shown					

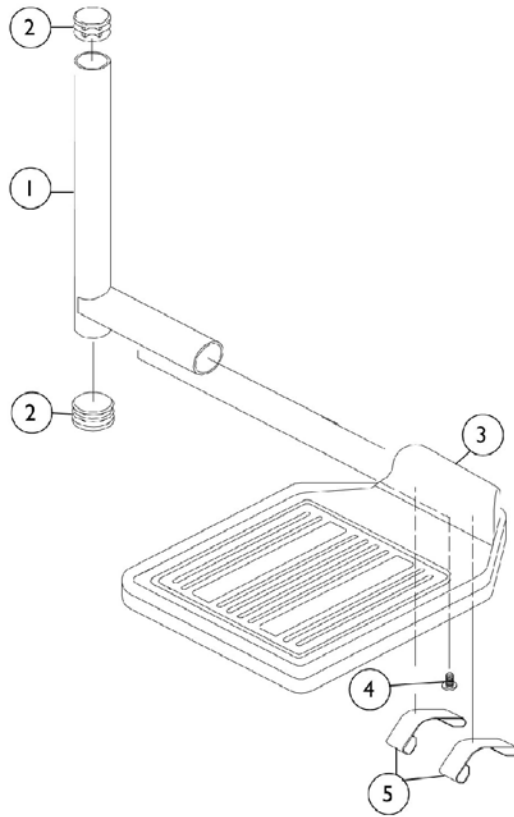
## Pivot Slide Tube with Footplate For 93E, 93M, 93M2, H93E, H93M Assemblies (14" to 15" Chairs)



Item Number	Note	Part Number	Description	Quantity Per	
				Package	Assembly
1		7500004-NLA	Pivot Slide Tube with Plug Button	1	1
2		1027097	Plug Button, Black (3/4")	1	2
3		7930354	Package, Phillips Head Screw (#8-32 x 3/8")	25	2
4		1006981	Spring, Leaf	1	1
5		1016346	Cap, Tube End (7/8")	1	1
6	A,C	44200X059	Footplate, Aluminum - Small (6-3/4" W x 6" L)	1	1
	A,B	1033506	Pivot Slide Tube Assembly w/ Aluminum Footplate Right	1	1
	A,B	1033507	Pivot Slide Tube Assembly w/ Aluminum Footplate Left	1	1

NOTE: A - Aluminum footplates on chairs built before 2/96 had a "Bright Aluminum" finish. Footplates after 1/96 now have a black finish. For Front Riggings before 2/96, order in pairs to match.  
 B - Not Shown  
 C - Right or left

# Pivot Slide Tube with Footplate For 93, H93 Assemblies (16" to 24" Chairs)

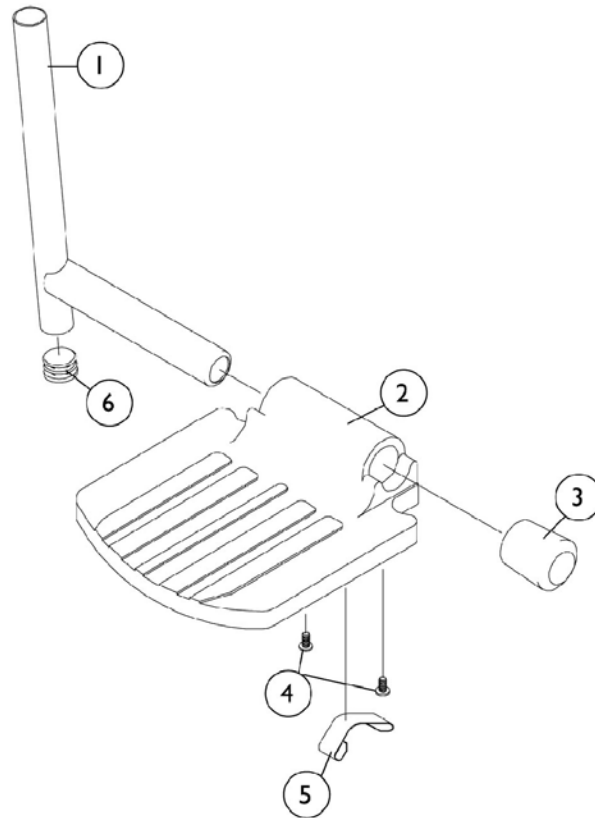


## Pivot Slide Tube with Footplate For 93, H93 Assemblies (16" to 24" Chairs)

Item Number	Note	Part Number	Description	Quantity Per	
				Package	Assembly
1		1041525	Pivot/Slide Tube with Plug Button - Deluxe Aluminum	1	1
2		1027097	Plug Button, Black (3/4")	1	2
3	A	1044213	Footplate with Rubber Edge (Pair)	2	1
3		1043659	Footplate, Aluminum - Deluxe (8" W x 5-3/4" L) - Right	1	1
3		1043660	Footplate, Aluminum - Deluxe (8" W x 5-3/4" L) - Left	1	1
4		7930354	Package, Phillips Head Screw (#8-32 x 3/8")	25	1
5		1036120	Spring	1	1
	A,B	1028892	Pivot/Slide Tube Assembly w/ Footplate Deluxe Aluminum, Right	1	1
	A,B	1028893	Pivot/Slide Tube Assmebly w/ Footplate Deluxe Aluminum, Left	1	1
<p>NOTE: A - Front Riggings built before 12/93 had footplates with a flat black finish. After 11/93 the finish is a "Wrinkle Black." For Front Riggings before 12/93, order in pairs to match. B - Not Shown</p>					



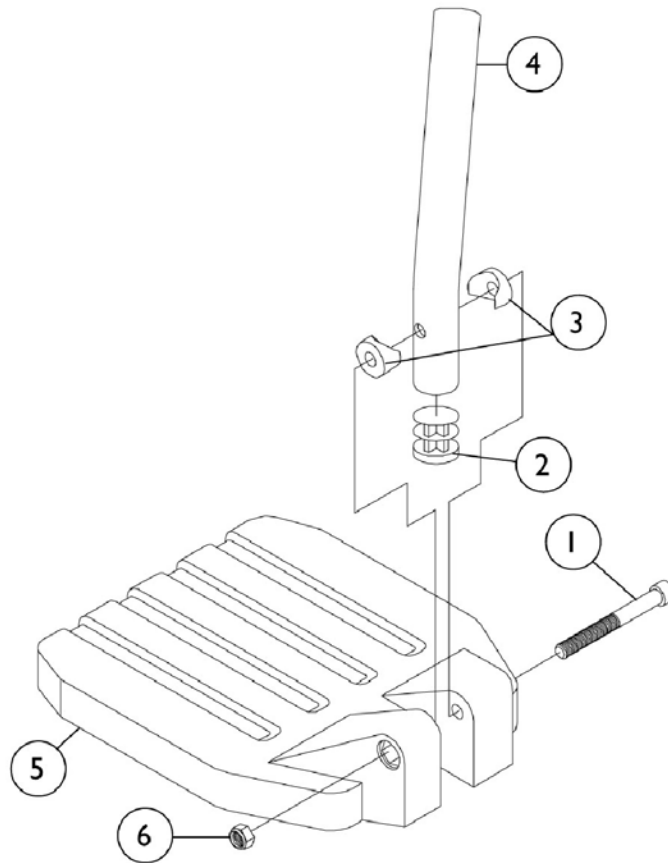
# Pivot Slide Tube with Footplate For 93, H93 Assemblies (14" to 15" Chairs)



## Pivot Slide Tube with Footplate For 93, H93 Assemblies (14" to 15" Chairs)

Item Number	Note	Part Number	Description	Quantity Per	
				Package	Assembly
1		1041527	Pivot/Slide Tube with Plug Button (Black)	1	1
2	A	44200X059	Footplate, Aluminum - Small (6-3/4" W x 6" L)	1	1
3		1016346	Cap, Tube End (7/8")	1	1
4		1025729	Screw, Self Tapping Pan Head (#8-32 x 3/8")	1	2
5		1006981	Spring, Leaf	1	1
6		1027097	Plug Button, Black (3/4")	1	1
	A,B	1058573	Pivot/ Slide Tube w/ Footplate Assembly Aluminum, Right	1	1
	A,B	1058574	Pivot/ Slide Tube w/ Footplate Assembly Aluminum, Left	1	1
<p>NOTE: A - Aluminum footplates on chairs before 2/96 had a "Bright Aluminum" finish. Footplates after 1/96 now have a black finish. For Front Riggings before 2/96, order in pairs to match. B - Not Shown</p>					

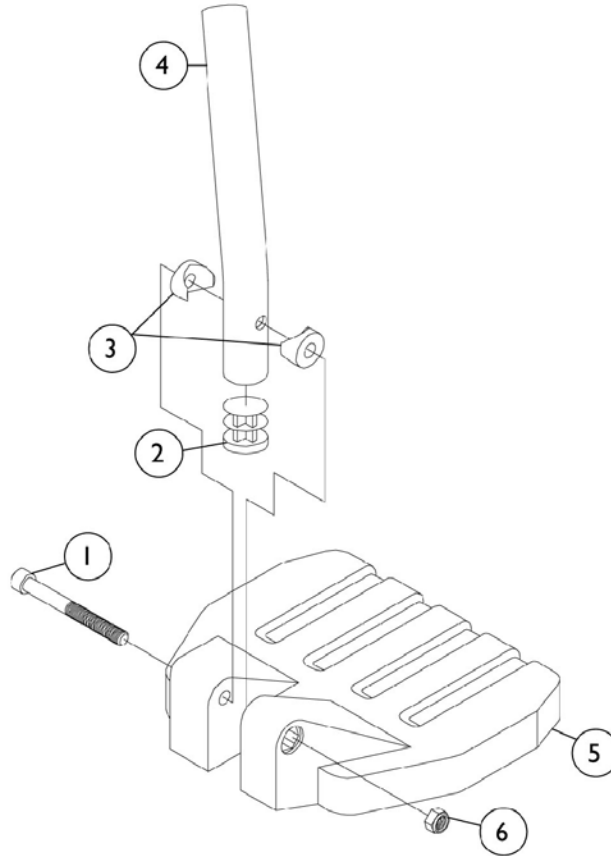
# Pivot Slide Tube with Footplate For 93ST Assemblies (20" to 24" Chairs)



Item Number	Note	Part Number	Description	Quantity Per	
				Package	Assembly
1		7930366	Screw, Socket Head Cap (1/4-20 x 2-1/4")	25	1
2		1027097	Plug Button, Black (3/4")	1	1
3		1025457	Spacer, Coved (1/4 x 3/4 x 11/32")	1	2
4		1120382	Pivot Slide Tube, Curved End - Long (9-7/8" Long)	1	1
5		1026881	Footplate, Composite - Large (8" W x 6" L)	1	1
6		7930323	Package, Locknut (1/4-20)	25	1
	A	1028383	Pivot Slide Tube w/ Footplate Composite Right	1	1
	A	1028384	Pivot Slide Tube w/ Footplate Composite Left	1	1

NOTE: A - Not Shown

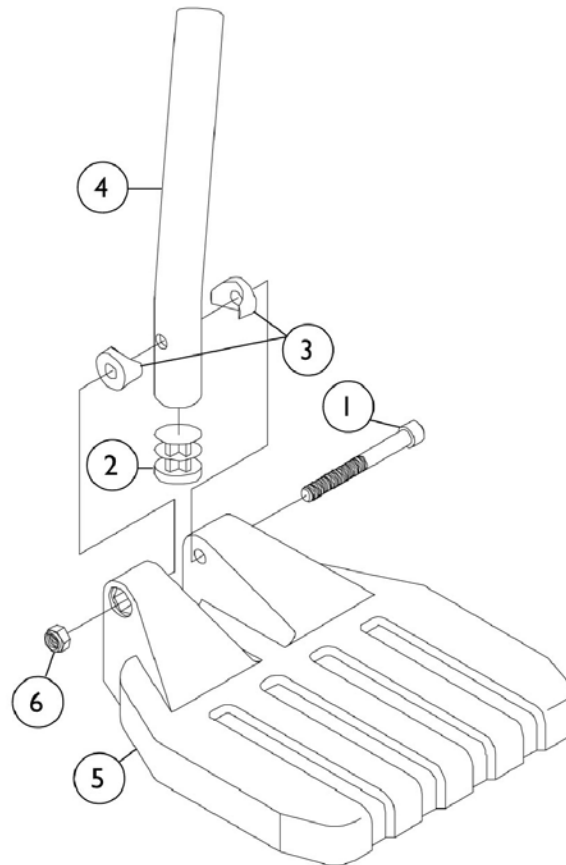
## Pivot Slide Tube with Footplate For 93ST Assemblies (15" to 17" Chairs)



Item Number	Note	Part Number	Description	Quantity Per	
				Package	Assembly
1		7930366	Screw, Socket Head Cap (1/4-20 x 2-1/4")	25	1
2		1027097	Plug Button, Black (3/4")	1	1
3		1025457	Spacer, Coved (1/4 x 3/4 x 11/32")	1	2
4		1120382	Pivot Slide Tube, Curved End - Long (9-7/8" Long)	1	1
5		1026879	Footplate, Composite - Small (6" W x 6" L)	1	1
6		7930323	Package, Locknut (1/4-20)	25	1
	A	1028391	Pivot Slide Tube w/ Composite Footplate -Right	1	1
	A	1028392	Pivot Slide Tube w/ Composite Footplate, Left	1	1

NOTE: A - Not Shown

# Pivot Slide Tube with Footplate For 93ST Assemblies (18" to 19" Chairs)



Item Number	Note	Part Number	Description	Quantity Per	
				Package	Assembly
1		7930366	Screw, Socket Head Cap (1/4-20 x 2-1/4")	25	1
2		1027097	Plug Button, Black (3/4")	1	1
3		1025457	Spacer, Coved (1/4 x 3/4 x 11/32")	1	2
4		1120382	Pivot Slide Tube, Curved End - Long (9-7/8" Long)	1	1
5		1026880	Footplate, Composite - Medium (7" W x 6" L)	1	1
6		7930323	Package, Locknut (1/4-20)	25	1
	A	1028387	Pivot Slide Tube and Medium Composite Footplate, Right	1	1
	A	1028388	Pivot Slide Tube and Medium Composite Footplate, Left	1	1

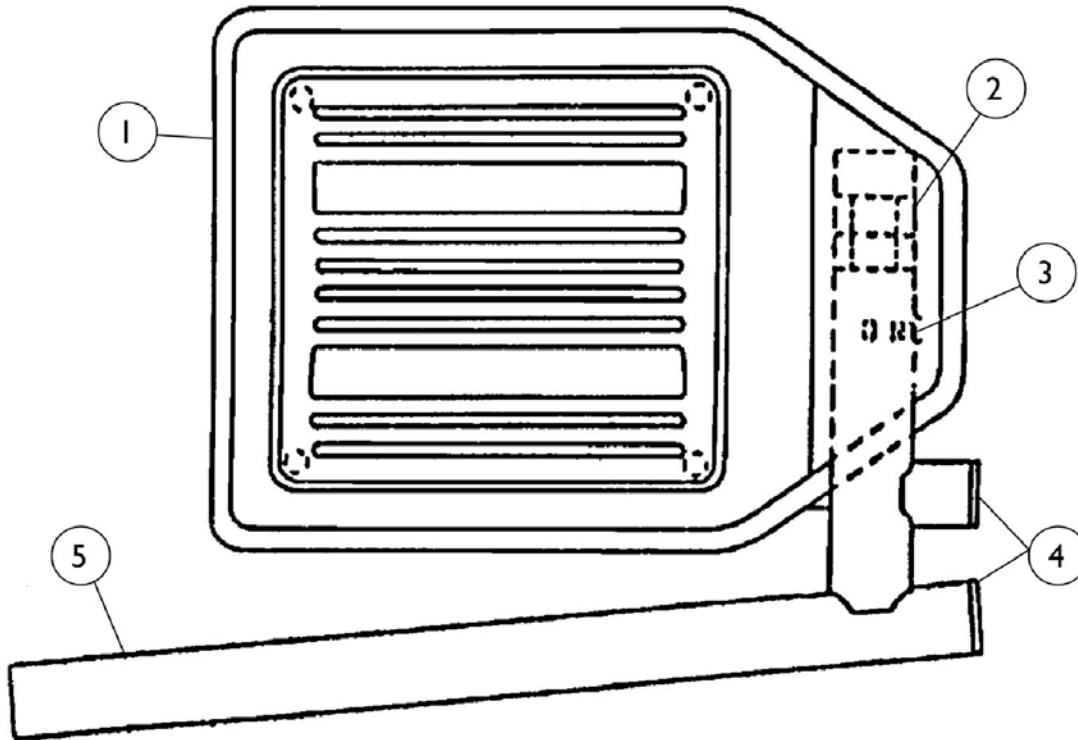
NOTE: A - Not Shown

# Pivot Slide Tube with Footplate

## For 94BK, 94BKR, 96BK, H94, H94BKR, H96BK

### Assemblies

(16" to 24" Chairs)

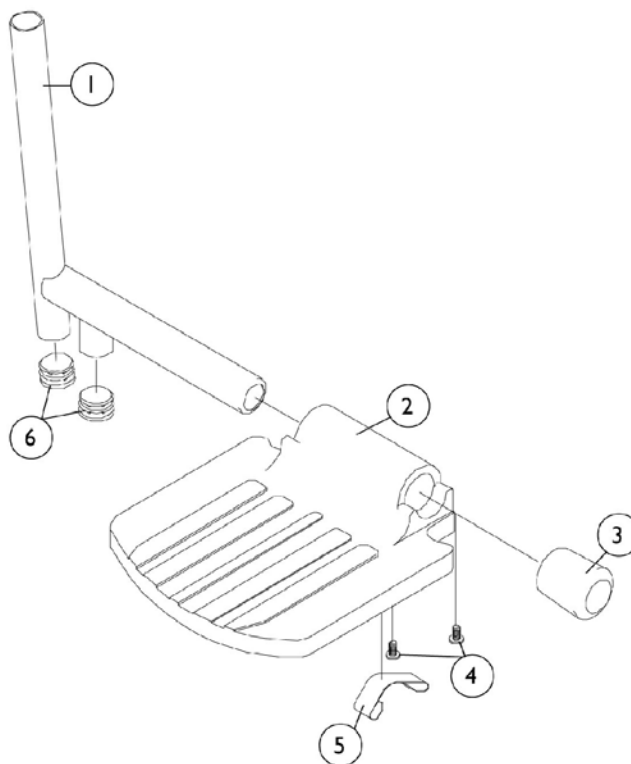


Item Number	Note	Part Number	Description	Quantity Per	
				Package	Assembly
1	A	1044213	Footplate with Rubber Edge (Pair)	2	1
1		1043659	Footplate, Aluminum - Deluxe (8" W x 5-3/4" L) - Right	1	1
1		1043660	Footplate, Aluminum - Deluxe (8" W x 5-3/4" L) - Left	1	1
2		1036120	Spring	1	1
3		7930354	Package, Phillips Head Screw (#8-32 x 3/8")	25	1
4		1027097	Plug Button, Black (3/4")	1	1
5		7500083	Pivot Slide Tube with Plug Button	1	1
	A,B	1031216	Pivot Slide Tube w/ Rubber Edge Footplate Right	1	1
	A,B	1031217	Pivot Slide Tube w/ Rubber Edge Footplate Left	1	1

NOTE: A - Front Riggings built before 12/93 had footplates with a flat black finish. After 11/93, the finish is "Wrinkle Black." For Front Riggings before 12/93, order in pairs to match.  
 B - Not Shown

# Pivot Slide Tube with Footplate

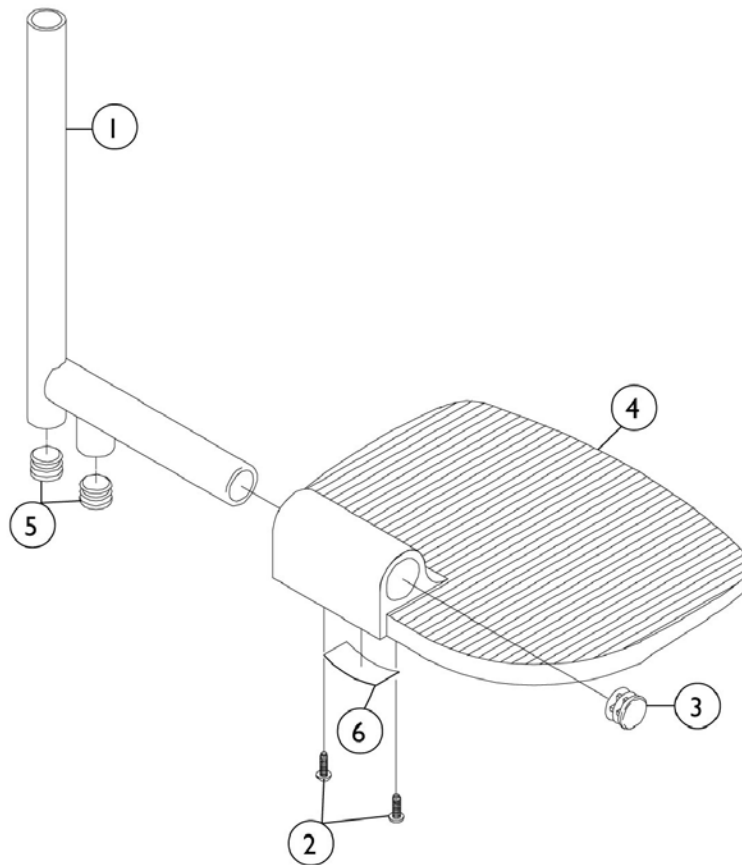
## For 94BK, 94BKR, 96BK, H94, H96BK Assemblies (14" to 15" Chairs)



Item Number	Note	Part Number	Description	Quantity Per	
				Package	Assembly
1		7500085-NLA	Pivot Slide Tube with Plug Button - Chrome	1	1
2	A	44200X059	Footplate, Aluminum - Small (6-3/4" W x 6" L)	1	1
3		1016346	Cap, Tube End (7/8")	1	1
4		7930354	Package, Phillips Head Screw (#8-32 x 3/8")	1	2
5		1006981	Spring, Leaf	1	1
6		1027097	Plug Button, Black (3/4")	1	2
	A,B	1030912	Pivot Slide Tube with Aluminum Footplate, Right	1	1
	A,B	1030913	Pivot Slide Tube with Aluminum Footplate, Left	1	1

NOTE: A - Aluminum footplates on chairs built before 2/96 had a "Bright Aluminum" finish. Footplates after 1/96 now have a black finish. For Front Riggings before 2/96, order in pairs to match.  
B - Not Shown

# Pivot Slide Tube with Footplate For 94BKR, 96BK, H94, H96 Assemblies (16" to 24" Chairs)



**Pivot/Slide Tube and Footplate**

Side	Standard	2" Longer	4" Longer
Right	1031934	1086537	1086538
Left	1031935	1086539	1086540

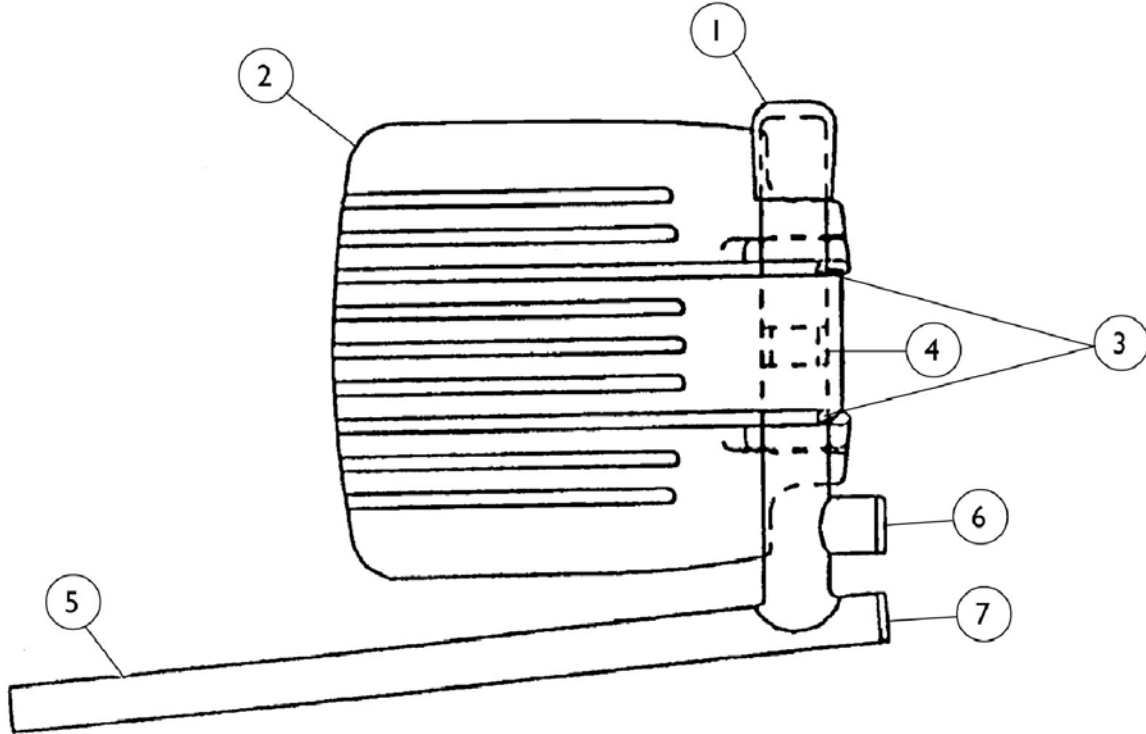


## Pivot Slide Tube with Footplate For 94BKR, 96BK, H94, H96 Assemblies (16" to 24" Chairs)

Item Number	Note	Part Number	Description	Quantity Per	
				Package	Assembly
1		7500085-NLA	Pivot Slide Tube with Plug Button - Chrome	1	1
1		1086447	Pivot Slide Tube with Plug Button, 2" Longer - Chrome	1	1
1		1086448	Pivot Slide Tube with Plug Button, 4" Longer - Black	1	1
2		7930354	Package, Phillips Head Screw (#8-32 x 3/8")	25	2
3		1027095	Plug Button, Black (7/8")	1	1
4	A	44200X025	Footplate, Aluminum - Extra Large (8" W x 8-1/2" L) - Right	1	1
4	A	44200X026	Footplate, Aluminum - Extra Large (8" W x 8-1/2" L) - Left	1	1
5		1027097	Plug Button, Black (3/4")	1	2
6		1036123	Spring, Leaf	1	1
	B	See Chart	Pivot Slide Tube with Footplate	1	1

NOTE: A - Wrinkle Black Finish  
B - Not Shown

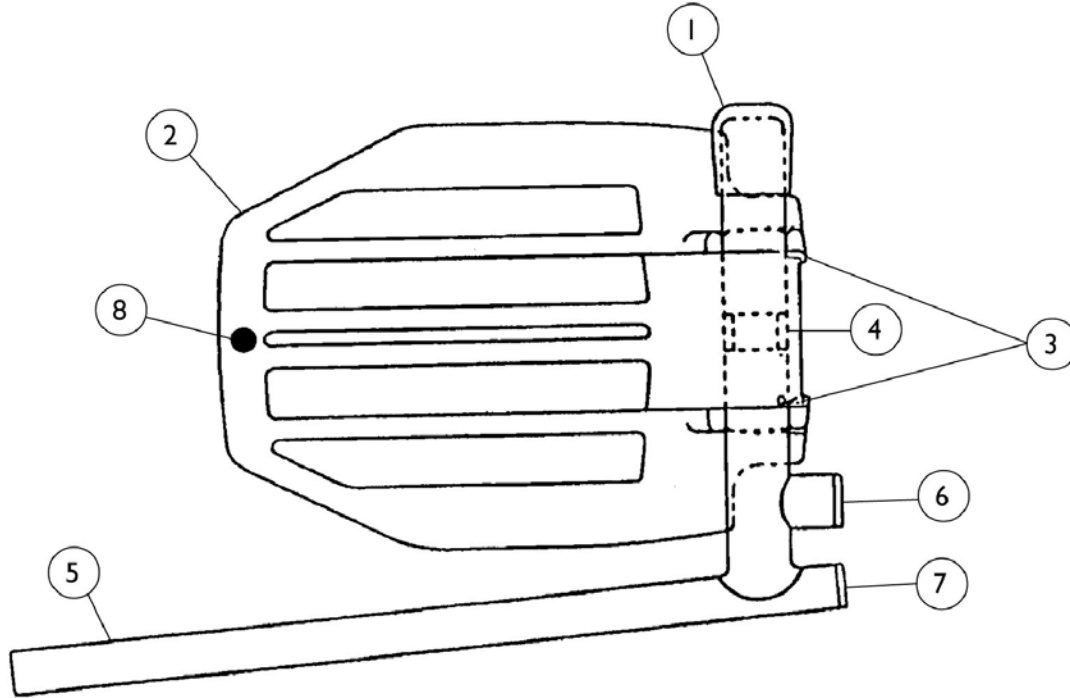
## Pivot Slide Tube with Footplate For AS4A, AHS4A Assemblies (14" to 15" Chairs)



Item Number	Note	Part Number	Description	Quantity Per	
				Package	Assembly
1		1016346	Cap, Tube End (7/8")	1	1
2	A,C	44200X059	Footplate, Aluminum - Small (6-3/4" W x 6" L)	1	1
3		7930354	Package, Phillips Head Screw (#8-32 x 3/8")	1	1
4		1006981	Spring, Leaf	25	2
5		1041526	Pivot/Slide Tube with Plug Button (Steel)	1	1
6		1027097	Plug Button, Black (3/4")	1	1
7		1018133	Plug Button, Black (5/8")	1	1
	B	1023905	Pivot/ Slide Tube w/ Footplate Aluminum, Right	1	1
	B	1023906	Pivot/ Slide Tube w/ Footplate Aluminum, Left	1	1

NOTE: A - Aluminum footplates on chairs built before 2/96 had a "Bright Aluminum" finish. Footplates after 1/96 now have a black finish. For Front Riggings before 2/96, order in pairs to match.  
 B - Not Shown  
 C - Right or Left

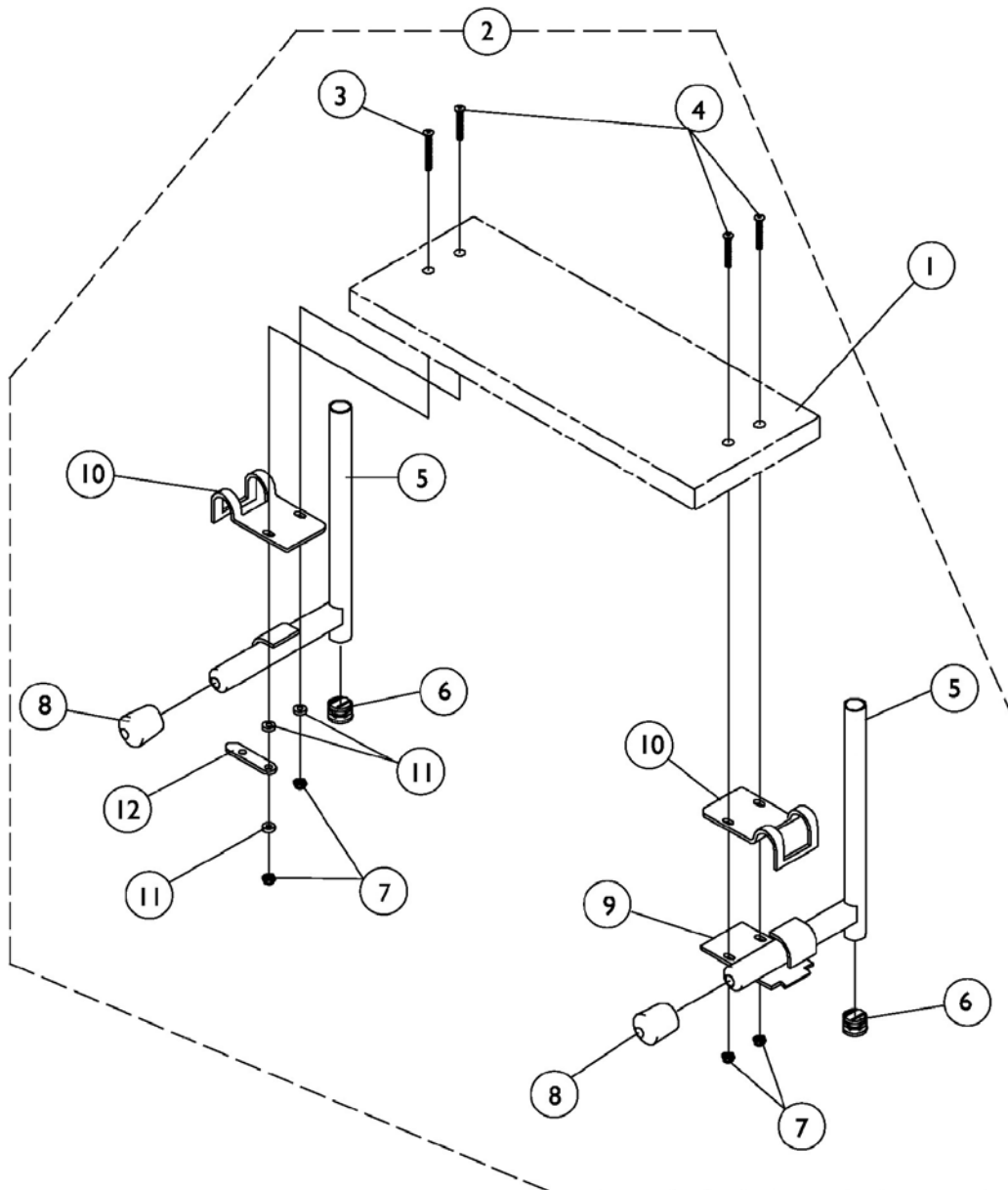
## Pivot Slide Tube with Footplate For AL4A, AHL4A Assemblies (16" to 24" Chairs)



Item Number	Note	Part Number	Description	Quantity Per	
				Package	Assembly
1		1016346	Cap, Tube End (7/8")	1	1
2	A,C	44200X027	Footplate, Aluminum - Medium (7-3/4" W x 6" L)	1	1
3		7930354	Package, Phillips Head Screw (#8-32 x 3/8")	1	1
4		1006981	Spring, Leaf	25	2
5		1041526	Pivot/Slide Tube with Plug Button (Steel)	1	1
6		1027097	Plug Button, Black (3/4")	1	1
7		1018133	Plug Button, Black (5/8")	1	1
8		1070168	Push Plug, Footplate	1	1
	A,B	1023907	Pivot/Slide Tube and Aluminum Footplate Assembly - Right	1	1
	A,B	1023908	Pivot/Slide Tube and Aluminum Footplate Assembly - Left	1	1

NOTE: A - Aluminum footplates on chairs built before 2/96 had a "Bright Aluminum" finish. Footplates after 1/96 now have a black finish. For Front Riggings before 2/96, order in pairs to match.  
 B - Not Shown  
 C - Right or Left

# S1263 One Piece Wooden Footboard and Hardware



# S1263 One Piece Wooden Footboard and Hardware

Item Number	Note	Part Number	Description	Quantity Per	
				Package	Assembly
1	A	See Chart	#1 One Piece Wooden Footboard	1	1
		See Chart	Heel Loop Hardware Packages (not shown)	1	1
2	B	1032013	Kit, Wooden Footboard Mounting Hardware	1	1
3			Screw, Phillips Oval Head (#10-32 x 1-1/2")	1	1
4			Screw, Phillips Oval Head (#10-32 x 1-1/4")	1	3
5			Tube, Slide - Right	1	1
5			Tube, Slide - Left	1	1
6			Plug Button, Black (3/4")	1	2
7			Locknut (#10-32)	1	4
8			Cap, Tube End (7/8")	1	2
9			Lock, Pad Plate, Legrest	1	1
10			Clamp	1	2
11			Washer, Nylon (3/16 x 7/16 x 1/8")	1	3
12			Link, Locking	1	1

NOTE: A - Not Shown.  
B - Includes items 3-12

## #1 One Piece Wooden Footboard

**NOTE: When selecting a wooden footboard for 93ST Tapered Footrest, order a 3" narrower footboard to accommodate the 1.5" footrest taper per side. Example: 17" wide chair will use a 14" wide chair footboard. S1263 option is not available for tapered footrest less than 17" wide.**

Footrest-Footboard w/ Heel Loop Holes Part Number	Legrest-Footboard w/o Heel Loop Holes Part Number	Chair Width	Footboard Width	Footboard Depth
1034245	48247X003	14"	11-5/8"	6"
1034246	1031910	15"	12-1/2"	6"
1034247	48247X001	16"	13-3/4"	6"
1034248	1031911	17"	14-1/2"	6"
1034249	48247X000	18"	15-9/16"	6"
1034250	1031912	19"	16-1/2"	6"
1034251	1031913	20"	17-1/2"	6"
1034252	1031914	21"	18-1/2"	6"
1034253	1031915	22"	19-1/2"	6"
1034254	1031916	23"	20-1/2"	6"
1034255	1031917	24"	21-1/2"	6"

# S1263 One Piece Wooden Footboard and Hardware

## Heel Loop Hardware Packages (not shown)

(All hardware is included to attach heel loops to footboard.)

Chair Width	Part Number	Package Includes
14-15" Wide	1033904	2 each Heel Loops 4 each Screw, PPH (1/4-20 x 3") 4 each Spacer (1/4 x 11/32 x 1-3/4") 4 each Locknut (1/4-20)
16"-24" Wide	1033905	2 each Heel Loops 4 each Screw, PPH (1/4-20 x 3") 4 each Spacer (1/4 x 11/32 x 1-3/4") 4 each Locknut (1/4-20)

## Footrest and Legrest Accessories

Footplate Type	Chair Width	Heel Loop Single #	Heel Loop Pair #	Heel Loop w/ Ankle Strap Single # Rt.	Heel Loop w/ Ankle Strap Single # Lt.	Heel Loop w/ Ankle Strap Pair #	Attaching Hardware Pair #
Composite Small (1651)	15-17" W Tapered	1028412	1035912	1035908	1035909	1035906	1035931
Composite Medium (1651)	18-19" W Tapered	1017621	1035917	1035919	1035920	1035918	1035931
Composite Large (1651)	20-24" W Tapered	1017621	1035917	1035932	1035933	1035930	1035931
Standard Aluminum (1650)	14-15" W	1025234	1035905	1035908	1035909	1035906	1035907
Standard Aluminum (1650)	16-24" W	1017621	1035917	1035919	1035920	1035918	1035907
Deluxe Aluminum (1450)	16-24" W	1017621	1035917	1035919	1035920	1035918	1086112
X-Large Aluminum (1350)	16-24" W	1017621	1035917	1035919	1035920	1035918	1055241

# Footrest and Legrest Accessories

## Attaching Hardware Part Numbers

Footplate Type	Part Number	Part Number Consists of
Composite (1651)	1035931	2 each Screw, PPH (1/4-20 x 2-1/4") 2 each Spacer (1/4 x 11/32 x 1-3/4") 2 each Locknut (1/4-20)
Standard Aluminum (1650)	1035907	2 each Screw, PPH (1/4-20 x 2-1/2") 2 each Spacer (1/4 x 11/32 x 1-3/4") 2 each Locknut (1/4-20)
Deluxe Aluminum (1450)	1086112	2 each Screw, PPH (1/4-20 x 2-1/2") 2 each Spacer (1/4 x 11/32 x 1-3/4") 2 each Locknut (1/4-20)
X-Large Aluminum (1350)	1055241	2 each Screw, PPH (1/4-20 x 2-1/4") 2 each Spacer (1/4 x 11/32 x 1-3/4") 2 each Locknut (1/4-20)

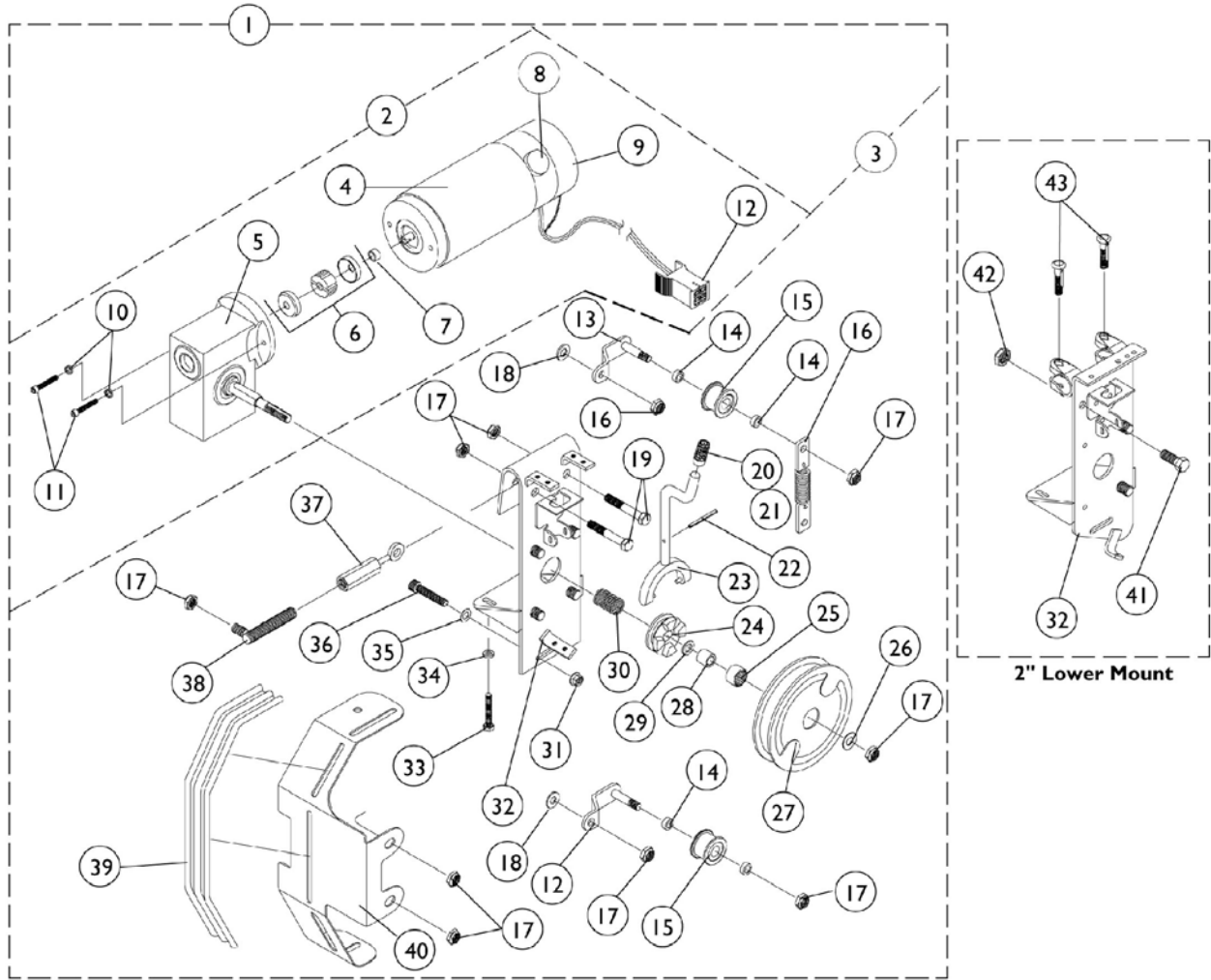
## Toe Loops (1345) and Attaching Hardware

Footplate Type	Toe Loop w/o Hardware Single #	Toe Loop w/o Hardware Pair #	Attaching Hardware Part Number	Attaching Hardware Consists of
1651, 1650, 1450, 1350, Footplates	04572X025	1037087	1037089	4 each Screw, PPH (10-32 x 7/8") 4 each Washer (1/4 x 3/4 x 3/32") 4 each Locknut (10-32)



# Motors, Gearboxes and Clutch Assembly

## 4M Power Chairs



## Motors, Gearboxes and Clutch Assembly 4M Power Chairs

Item #	Description	Side	Arrow, Ranger X and Ranger II	Ranger II 5/94 - 12/95
1	Motor Clutch and Gearbox Standard Height	Right	1030422-NLA	N/A
		Left	1030423	N/A
1	2" Lower	Right	1035021-NLA	N/A
		Left	1035022-NLA	N/A
2	Motor and Gearbox	Right	1048549-NLA	1060625-NLA
		Left	1048550-NLA	N/A
3	Clutch Kit Standard Height	Right	1061577-NLA	N/A
		Left	1061578	N/A
3	2" Lower	Right	1061579-NLA	N/A
		Left	1061580-NLA	N/A
4	Motor with Brake Left and Right	Right and Left	1040734 See Note(s) A	1061007-NLA
NOTE: A - It is recommended that dealer also purchase a left or right decal, item number 12.				

# Motors, Gearboxes and Clutch Assembly

## 4M Power Chairs

For Standard and 2" Lower Height Configurations

Item Number	Note	Part Number	Description	Quantity Per	
				Package	Assembly
5	A	1048545-NLA	Gearbox, Right	1	1
5	A	1048546-NLA	Gearbox, Left	1	1
6	F	5165204-NLA	Coupling w/ Cup (1" Diameter)	1	1
6	G	50000X007	Coupling w/ Cup (1-5/16" Diameter)	1	1
7		50000X341-NLA	Spacer	1	1
8	B,B1,D	1022651-NLA	Motor Brush with Cap	1	1
8	B,B1,E	1044044	Motor Brush with Cap	2	1
9		1012129-NLA	Brake Assembly without Cover	1	1
9		1028530-NLA	Brake Cover	1	1
10		10141X012	Washer, Lock (3/16 x 5/16 x 1/16")	1	2
11		1029237	Screw, Socket Head Cap w/ Patch (#10-32 x 7/8")	1	2
12		60106X062	Decal, Motor Lead - Right	1	1
12		60106X061	Decal, Motor Lead - Left	1	1
13		1028525-NLA	Idler Sub-Assembly	1	1
14		47183X047	Spacer (5/16 x 1/2 x 3/16")	1	4
15		1025377-NLA	Idler Pulley	1	1
16	C	1045866-NLA	Belt Tension Spring Replacement Kit	2	1
16		1046749-NLA	Spring and Plate Assembly	1	2
16		1025730	Locknut (5/16-24)	1	4
16		1045865-NLA	Instruction Sheet Auto Tension	1	1
17		7930330	Locknut (5/16-24)	25	8
18		1013971	Washer, Nylon (1/4 x 7/16 x 5/64")	1	2
19		1028514	Screw, Hex Head (5/16-24 x 1-1/2")	1	2
20		1027957	Lever Grip without Tip for Extension Handle	1	1
21		1030347-NLA	End Cap, Grey	1	1
21		1030348	End Cap, Teal	1	1
21		1030349	End Cap, Red	1	1
21		1030350-NLA	End Cap, Lavender	1	1
22		40187X033	Roll Pin	1	1
23		1028524	Fork Shifter Handle Standard Height	1	1
23		1034908-NLA	Fork Shifter Handle 2" Lower Height	1	1
24		1003530	Drive Collar	1	1
25		50000X401-NLA	Needle Bearing	1	1
26		1036256	D-Washer	1	1
27		1016938-NLA	Drive Pulley w/ Bearing	1	1
28		50000X400-NLA	Inner Race	1	1
29		50000X397-NLA	Spacer, Bearing	1	1
30		1011511	Spring, Compression (1")	1	1

## Motors, Gearboxes and Clutch Assembly 4M Power Chairs

Item Number	Note	Part Number	Description	Quantity Per	
				Package	Assembly
31		1028515	Locknut (#10-32)	1	1
32		1030088-NLA	Motor Mounting Bracket, Right	1	1
32		1030089-NLA	Motor Mounting Bracket, Left	1	2
32		1035018-NLA	2" Lower Mounting Bracket, Right	1	2
32		1035019-NLA	2" Lower Mounting Bracket, Left	1	1
33		1025708	Bolt, Hex Head Cap (1/4-20 x 3/4")	1	1
34		1013971	Washer, Nylon (1/4 x 7/16 x 5/64")	1	1
35		1028516	Washer (3/16 x 7/16 x 1/16")	1	1
36		1028513	Screw, Socket Head (#10-32 x 1-1/4")	1	1
37		1028519	Turn Buckle	1	1
38		1028518	Threaded Stud	1	1
39		1028006	Bellow, Shroud	1	1
40		1029750	Front Shroud Bracket, Right	1	1
40		1029751	Front Shroud Bracket, Left	1	1
41		1025752	Screw, Hex Head (1/4-20 x 1-1/2")	1	1
42		1025195	Locknut (1/4-20)	1	1
43		1031026	Screw w/ Lug (5/16-24 x 1-3/8")	1	2
	H	See Chart	Motors, Gearboxes and Clutch Assembly	1	1

NOTE: A - Includes items 16 and 25. Due to product improvement 14133X000 grip ring has been replaced by a D-washer and locknut. Current gear boxes now come with a threaded drive shaft  
 B - To identify the difference between Indiana General and Invacare motors note that Invacare motors have Invacare labels, black textured finish and a brush retainer that is raised approximately 1/4".  
 B1 - Indiana General's motors have a smooth finish and the bush retainer is flush with the motor surface. See pictorial on the following page for reference.  
 C - Part Numbers 1046749, 1025730, and 1045865 are available for individual sale or as part of the "Belt Tension Spring Replacement Kit".  
 D - Indiana General Motor Brushes are no longer available from Invacare Corporation. Brushes are available by calling the National Power Chair Company at 1-800-444-3528  
 E - Invacare Motors (Pair)  
 F - For chairs made before 11/12/01 - use part # 50000X007 as a direct replacement for this part.  
 G - After 11/11/01 Coupling with Cup was resized from approximately 1" to 1-5/16" diameter and can be used as a direct replacement for part number 5165204  
 H - Not Shown

# Motors, Gearboxes and Clutch Assembly

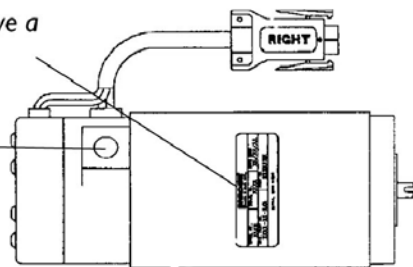
## 4M Power Chairs

**NOTE:** To identify the difference between Indiana General and Invacare motors, see the following motor assembly pictorial.

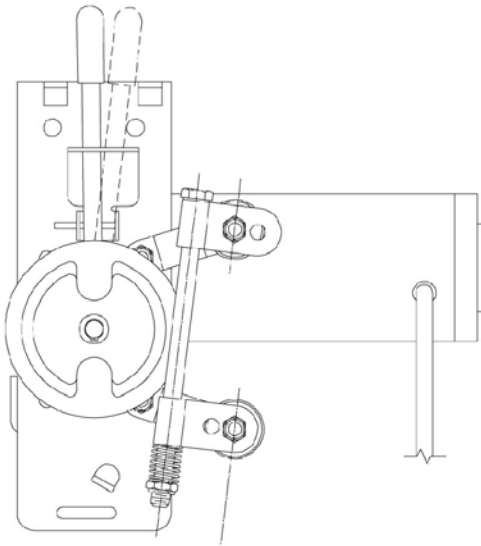
*Invacare motors have a black textured finish, Indiana General's have a smooth finish*

*Invacare motors have a brush retainer that is raised approximately 1/4", Indiana Generals are flush with the motor surface*

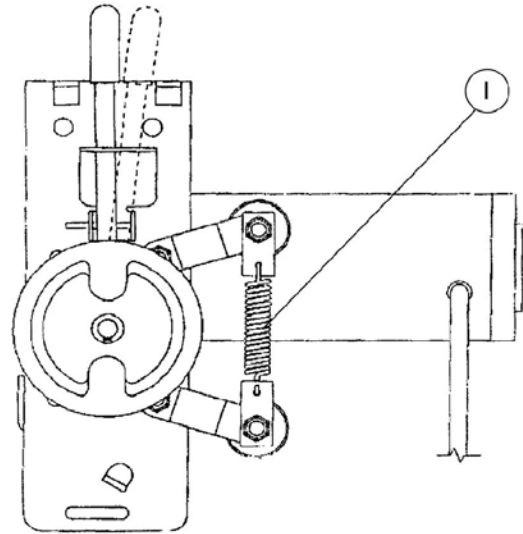
*Invacare motors have a Invacare Label*



# Belt Tensioning Device



**Fixed Belt Tensioning System  
Before 6/10/94**



**Auto Belt Tensioning System  
After 6/9/94**

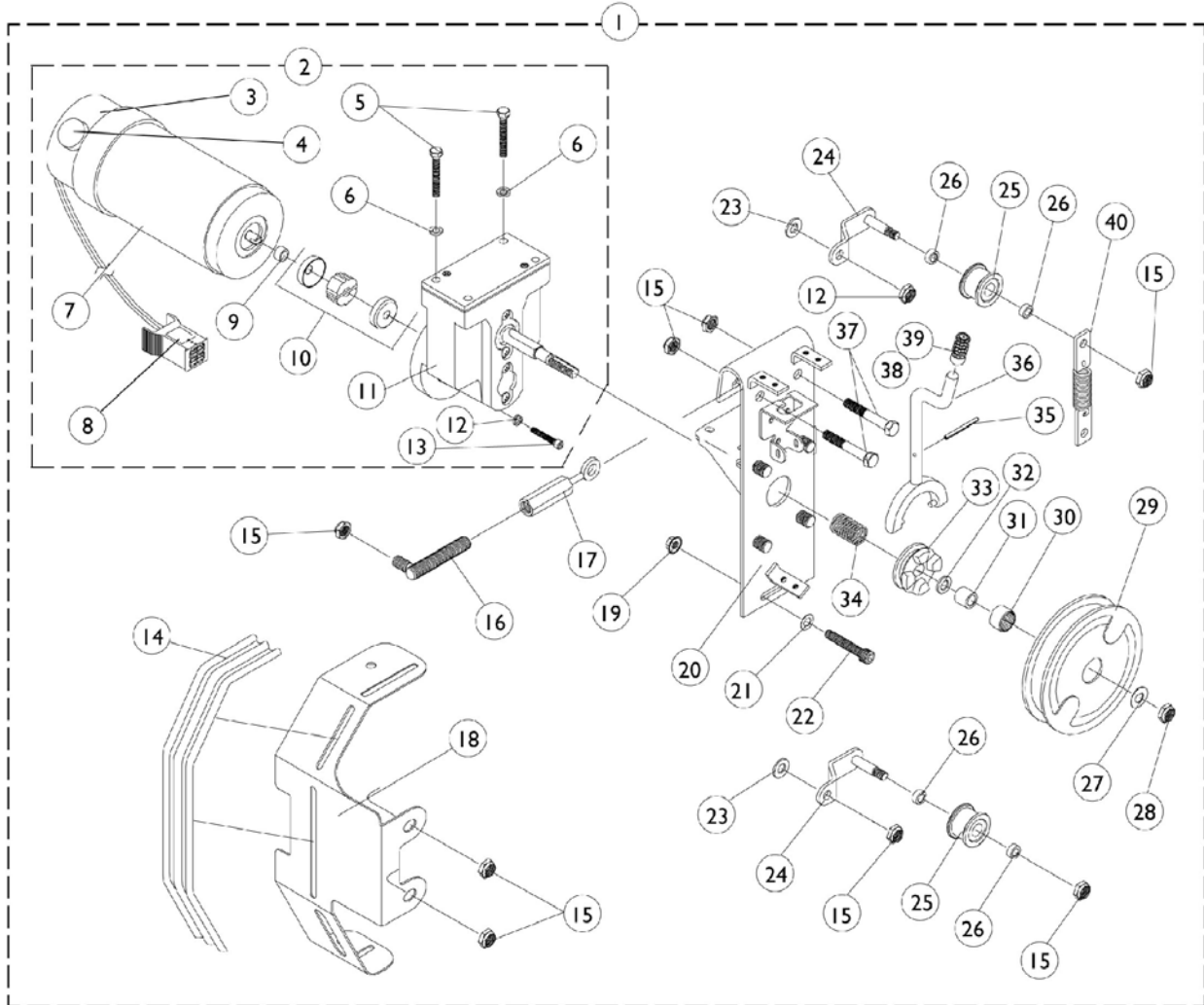
Item Number	Note	Part Number	Description	Quantity Per	
				Package	Assembly
1	A	1045866-NLA	Belt Tension Spring Replacement Kit	1	1
1		1046749-NLA	Spring and Plate Assembly	1	2
1		1025730	Locknut (5/16-24)	1	4
1		1045865-NLA	Instruction Sheet Auto Tension	1	1

NOTE: A - Part Numbers 1046749, 1025730, and 1045865 are available for individual sale or as part of the "Belt Tension Spring Replacement Kit".

# Motors, Gearboxes and Clutch Assembly

## X.P.R. (Extended Power and Range)

### 5M Power Chairs



## Motors, Gearboxes and Clutch Assembly X.P.R. (Extended Power and Range) 5M Power Chairs

Item Number	Note	Part Number	Description	Quantity Per	
				Package	Assembly
1		1028540	Motor and Clutch Assembly, Right	1	1
1		1028541	Motor and Clutch Assembly, Left	1	1
2		1041779-NLA	Motor, Gearbox, Right	1	1
2		1041780	Motor, Gearbox, Left	1	1
3		1012129-NLA	Brake Assembly without Cover	1	1
3		1028530-NLA	Brake Cover	1	1
4	F	1022651-NLA	Motor Brush with Cap	1	2
4		1044044	Motor Brush with Cap	2	1
5		7930326	Screw, Hex Head (1/4-20 x 3/4")	25	2
6		1013971	Washer, Nylon (1/4 x 7/16 x 5/64")	1	2
7		1040733	Motor and Brake Assembly, Right	1	1
7		1040733E-NLA	Motor and Brake Assembly, Right, Refurbished	1	1
7	A	1040734	Motor and Brake Assembly, Left	1	1
7	A	1040734E-NLA	Motor and Brake Assembly, Left, Refurbished	1	1
8		60106X062	Decal, Motor Lead - Right	1	1
8		60106X061	Decal, Motor Lead - Left	1	1
9		50000X341-NLA	Spacer	1	1
10	B	5165204-NLA	Coupling w/ Cup (1" Diameter)	1	1
10	G	50000X007	Coupling w/ Cup (1-5/16" Diameter)	1	1
11		1041778	Gearbox	1	1
12		10141X012	Washer, Lock (3/16 x 5/16 x 1/16")	1	2
13		1029237	Screw, Socket Head Cap w/ Patch (#10-32 x 7/8")	1	2
14		1028006	Bellow, Shroud	1	1
15		1025730	Locknut (5/16-24)	1	9
16		1029142	Threaded Stud	1	1
17		1028519	Turn Buckle	1	1
18		1029750	Front Shroud Bracket, Right	1	1
18		1029751	Front Shroud Bracket, Left	1	1
19		1028515	Locknut (#10-32)	1	1
20		1028521	Motor Mounting Bracket, Right	1	1
20		1028522	Motor Mounting Bracket, Left	1	1
21		1028516	Washer (3/16 x 7/16 x 1/16")	1	1
22		1028513	Screw, Socket Head (#10-32 x 1-1/4")	1	1
23		1013971	Washer, Nylon (1/4 x 7/16 x 5/64")	1	1
24		1028525-NLA	Idler Sub-Assembly	1	1
25		1025377-NLA	Idler Pulley	1	1
26		47183X047	Spacer (5/16 x 1/2 x 3/16")	1	2
27	C	1036256	D-Washer	1	1
27	D	50000X397-NLA	Spacer, Bearing	1	1
28	C	60355X000	Locknut (3/8-24)	1	1
28	D	1030951	Retaining Ring	1	1



## Motors, Gearboxes and Clutch Assembly X.P.R. (Extended Power and Range) 5M Power Chairs

Item Number	Note	Part Number	Description	Quantity Per	
				Package	Assembly
29		1016938-NLA	Drive Pulley w/ Bearing	1	1
30		50000X401-NLA	Needle Bearing	1	1
31		50000X400-NLA	Inner Race	1	1
32		50000X397-NLA	Spacer, Bearing	1	1
33		1003530	Drive Collar	1	1
34		1011511	Spring, Compression (1")	1	1
35		40187X033	Roll Pin	1	1
36		1028524-NLA	Fork Shifter Handle Standard Height	1	1
36		1034908-NLA	Fork Shifter Handle 2" Lower Height	1	1
37		1028514	Screw, Hex Head (5/16-24 x 1-1/2")	1	2
38		1027957	Lever Grip without Tip for Extension Handle	1	1
39		1030347-NLA	End Cap, Grey	1	1
39		1030348	End Cap, Teal	1	1
39		1030349	End Cap, Red	1	1
39		1030350-NLA	End Cap, Lavender	1	1
40	E	1045866-NLA	Belt Tension Spring Replacement Kit	2	1

NOTE: A - Effective 11/93 Indiana General Motors were replaced by Invacare motors. Motors purchased after this date should be purchased with a right or left I.D. label. It is recommended that dealers affix the right or left label to its perspective motor plug.  
 B - Coupling with Cup for chairs manufactured before 11/12/01 - use part # 50000X007 as a direct replacement for this part.  
 C - After 01/15/95  
 D - Before 01/16/95  
 E - See page titled "Belt Tensioning Device" for kit assembly.  
 F - Indiana General Motor Brushes are no longer available from Invacare Corporation. Brushes are available by calling the National Power Chair Company at 1-800-444-3528  
 G - After 11/11/01 Coupling with Cup was resized from approximately 1" to 1-5/16" diameter and can be used as a direct replacement for part number 5165204

# Motors, Gearboxes and Clutch Assembly

## Modified Action Power Chairs

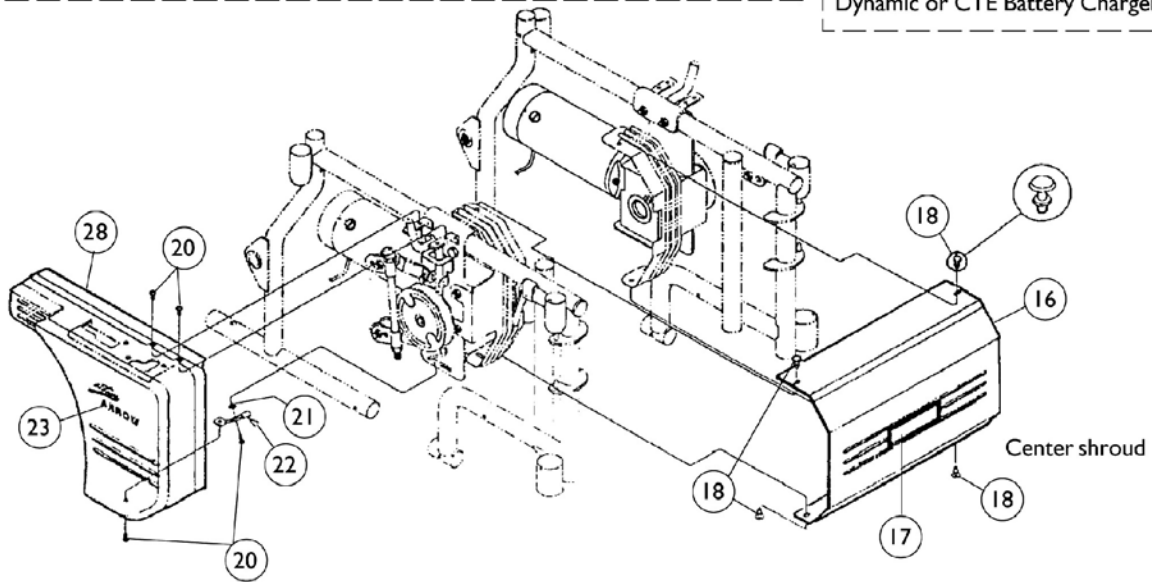
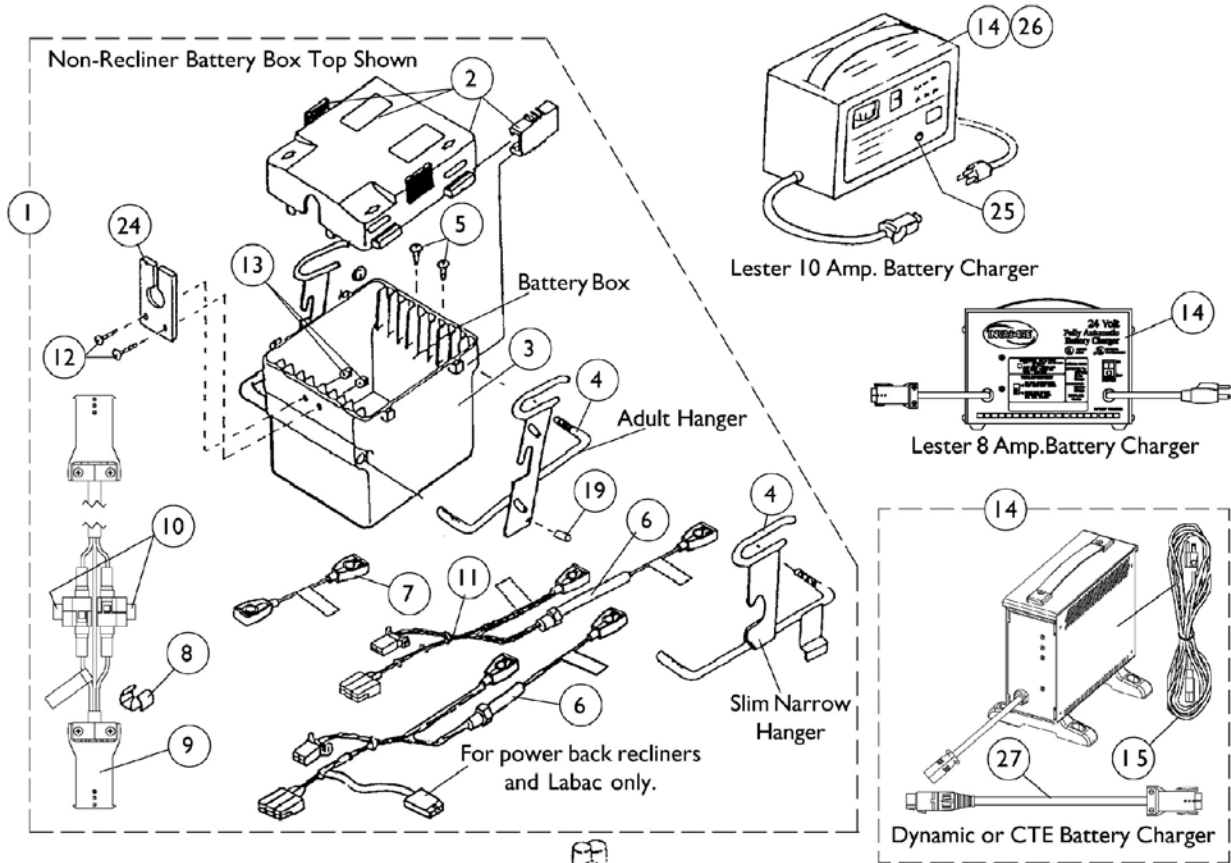
### with 5M Motors, Gearboxes and Clutch Set-Up

Serial Number	Model Number	Serial Number	Model Number	Serial Number	Model Number	Serial Number	Model Number
93C08555	M3918	93D51371	4M929-2LN	93D72022	M3N929	93D92390	RMN929
93C11362	RM929	93D56304	M3N929	93D72023	M3SN929	93D92391	RM919
93C11375	M3919	93D56629	RMN928	93D72024S	4M929-2LN	93D92392	RM928
93C15745	4M929	93D56630	RM918	93D72028	4M929-LN	93D92393	RM919
93C99542	4M929	93D56632	RMXN929	93D72030	4M929	93D92394	RMN918
93D08034	RMN928	93D56635	M3929	93D72107	M3929	93D92395	RM928
93D08040	RM928	93D56638	M3928	93D74319	RMN919	93D92398	M3928-2
93D08041	RM929	93D56639	M3N919	93D74320S	RM919	93D92399	M3N919
93D08042	RM918	93D56650	4M929-2LN	93D74321	RMN929	93D92400	M3929
93D08044	RM929	93D57383S	M3XN929	93D74322	RM919	93D92405S	4MT929
93D08045	M3929	93D59406	M3TN919	93D74323	RMSN929	93D92407S	4MXN918
93D08046	M3N929	93D59683	RM929-2	93D74324S	M3T929	93D92409	4M929-2LN
93D08049S	M3XN929	93D59684	RMXN928	93D74326	M3TN929-2	93D94645	M3919
93D08051	M3N919	93D59685	RM929	93D74328	M3929-2LN	93D94836	RM919
93D08052	M3TN919	93D59686	M3N929	93D74329	M3N929-2	93D94838	M3TN919
93D08053	M3N929	93D59688S	M3T929	93D7433	M3929-2LN	93D94839	M3N919
93D08054	4M919	93D59689S	M3XN929-2	93D74332	4M919	93D98261S	RMN918
93D08058	4M929-2LN	93D59690	M3929	93D74339	4M929-2LN	93D98262	RM929
93D08065	4MN929	93D59691	M3N929	93D81346	RM929-2	93D98263	RM929
93D11003	M3929	93D59692	M3929	93D81347	RMN919	93D98264S	M3XN919
93D11011	4M928	93D59706	4M919	93D81348	RMN928	93D98267	M3929
93D18453	RMN928	93D70097	RMN929	93D81349	RM928	93D98269	M3929
93D18454	M3929	93D70098	RMN929	93D81350	M3N929	93D98270	M3929
93D18455	M3N929	93D70099	RMN929	93D81351	M3929	93D98272	4MN929
93D18456	M3929-LN	93D70100	RMN92	93D81352	M3929-LN	93D98278	4M929-2
93D18457	M3N919	93D70101	RM919	93D81353	M3929-LN	93D98279	4M929
93D18465	4M929-LN	93D70102	RM928	93D81354	M3N929	93D98287	4M929-LN
93D18525S	M3929	93D70103	M3N929	93D81355	M3T919	93E22388	4M929
93D19312	M3929	93D70104S	M3TN929	93D81356	M3929-2LN	93E26993	4MN929-2
93D19316	M3929	93D70105	M3SN929	93D81357	M3929	93E26994	RM919
93D19544	RMXN928	93D70106	M3929	93D81358	M3X919	93E26996	M3929
93D19548	RM929	93D70108	M3N919	93D81360	M3N929	93E26997	M3929
93D19549	RMXN929	93D70112	4M929	93D81362	4MN919	93E27009	4M929-2LN
93D19553S	M3TN928	93D70500S	M3XN919	93D81363	4MSN919	93E29366S	M3929
93D19556	M3929	93D72012	RMN929	93D81366	4M919	93E31256	RM929
93D19558	M3928	93D72013	RMXN919	93D81367	4M929-2LN	93E31258	M3SN929
93D19559	M3919-2	93D72014	RM929-2	93D81368	4M929-2L9	93E44293	M3929
93D27878	4M929	93D72015	RMXN919	93D87362	RMXN928	--	--
93D27883	4M928	93D72016	RMN929	93D87363S	M3XN928	--	--

**Motors, Gearboxes and Clutch Assembly**  
**Modified Action Power Chairs**  
**with 5M Motors, Gearboxes and Clutch Set-Up**

Serial Number	Model Number	Serial Number	Model Number	Serial Number	Model Number	Serial Number	Model Number
93D29368S	M3T929	93D72017	RM928	93D87365	M3929-LN	--	--
93D31885S	RM929	93D72018	RM928	93D87366	M3929-2LN	--	--
93D31897	4M929	93D72019	RM928	93D87369	M3929-2L9	--	--
93D45948S	M3XN929	93D72020	RM929	93D87382	4M929-LN	--	--
93D48326	RMXN928	93D72021	RM929	93D91284	M3SN929	--	--
93D51356	M3T919	--	--	--	--	--	--

# Battery Box, Shrouds, Chargers and Cables



## Battery Box, Shrouds, Chargers and Cables

Item Number	Note	Part Number	Description	Quantity Per	
				Package	Assembly
1	E	1030426-NLA	Battery Box with Harness	1	1
1	F	1030427-NLA	Battery Box with Harness	1	1
1	G	1033964-NLA	Battery Box with Harness	1	1
1	H	1035477-NLA	Battery Box with Harness	1	1
1	I	1033963-NLA	Battery Box with Harness	1	1
1	J	1030426-NLA	Battery Box with Harness	1	1
1	K	1030429-NLA	Battery Box with Harness	1	1
1	L	1030428-NLA	Battery Box with Harness	1	1
1	M	1035478-NLA	Battery Box with Harness	1	1
1	N	1034614-NLA	Battery Box with Harness	1	1
1	O	1030429-NLA	Battery Box with Harness	1	1
1	P	1035222-NLA	Battery Box with Harness	1	1
1	Q	1034862-NLA	Battery Box with Harness	1	1
2	R	1029685	Battery Box Lid	1	1
2	S	1030443-NLA	Battery Box Lid	1	1
2	T	1035221-NLA	Battery Box Lid	1	1
2	U	50000X025	Lock Over Latch Clip	1	2
2	U	1019694-NLA	Slide Over Clip (Black)	1	4
2	U	1029687	Slide Over Clip (Grey)	1	4
2	U	1010578	Spacer (3/16 x 5/8 x 2-5/8")	1	2
2	U	1010701	Rivet	1	4
2	U	16348X005	Washer (5/32 x 3/8 x 1/32")	1	2
2	U	47375X277	Fastener, Loop with Adhesive Back (1" Wide x 4" Long)	1	2
3		1029686-NLA	Bottom Box	1	1
4	V	See Page	See Footnote	1	2
5		12642X000	Screw (#8-15 x 5/8")	1	1
6	R,S	1023702	Battery Harness with Fuse	1	1
6	T,W	1104224	Battery Harness with Fuse	1	1
6		50000X166	Fuse, 60 Amp (Buss 2-1/4" Long)	1	1
6		1042740	Fuse, 30/50 amp (Shaumut 1-1/2")	1	1
7		50000X123	Cable, Battery Jumper	1	1
8		1010681	Clamp Plug	1	1
9		1013399	Charger Extension Cable	1	1
10	Z	1098892	Fuse, 15 Amp. (Buss ATC-15)	1	2
10	Y	1090117	Fuse, 15 Amp. (Buss Mini ATM-15)	1	2
11		1095503	Package, Cable Ties (5-5/8" Long)	10	1
12		7930335	Screw, Phillips Pan Head (#10-32 x 1/2")	25	2
13		7930332	Locknut, High Profile (#10-32)	25	2
14	D	1014758-NLA	Battery Charger, 10 Amp. 115vac (Off Board) Dual Mode Square Plug, Lester	1	1
14	B,D	1053163	Battery Charger, 8 Amp. 115vac (Off Board) Dual Mode Square Plug, Lester	1	1

## Battery Box, Shrouds, Chargers and Cables

Item Number	Note	Part Number	Description	Quantity Per	
				Package	Assembly
14	D	1085685-NLA	Battery Charger, 8 Amp. 115vac (Off Board) Dual Mode Square Plug w/ AC Power Line Cord, Dynamic	1	1
14	B1,B2, D	1062556	Battery Charger, 8 Amp. 115vac (Off Board) Single Mode Round Plug w/ AC Power Line Cord and Square Plug Adapter Cable, CTE Corp.	1	1
15		1089627	Cord, AC Power Line 115vac (2-prong off-board 11'6"L)	1	1
16	X	1027965-NLA	Center Shroud 14" Wide	1	1
16	X	1027966-NLA	Center Shroud 15" Wide	1	1
16	X	1027967-NLA	Center Shroud 16" Wide	1	1
16	X	1027968-NLA	Center Shroud 17" Wide	1	1
16	X	1027969-NLA	Center Shroud 18" Wide	1	1
16	X	1027970-NLA	Center Shroud 19" Wide	1	1
16	X	1027971-NLA	Center Shroud 20" Wide	1	1
16	X	1027972-NLA	Center Shroud 21" Wide	1	1
16	X	1027973-NLA	Center Shroud 22" Wide	1	1
17		1028019-NLA	Decal, Center Shroud	1	1
18		1028362-NLA	Snap Rivet	1	1
19		1010424	Anti-Wear Cap	1	1
20		1022597	Screw, Phillips Pan Head Tap (#10-32 x 3/8")	1	2
21		1027263	Washer, Lock Tooth (3/16 x 3/8 x 1/32")	1	1
22		1030340-NLA	Bottom Shroud Mounting Bracket, Standard Height	1	1
22		1034906-NLA	Bottom Shroud Mounting Bracket, 2" Lower	1	1
23		1030444-NLA	Decal, Pulley/ Clutch Shroud, Action Arrow	1	1
23		1028020	Decal, Pulley/ Clutch Shroud, Action Ranger X	1	1
23		1028021	Decal, Pulley/ Clutch Shroud, Action Ranger II	1	1
24		1022649	Cable Guide, Battery Box	1	1
25		1029291-NLA	Fuse Holder, 1559 Dual Mode Charger	1	1
26		1028809	Timer, 1559 Dual Mode Charger	1	1
	A,C	1027962-NLA	Screw, Phillips Flat Head Countersunk (10-32 x 1/2")	1	1
	A,C	1030446-NLA	Shroud Mounting Bracket	1	1
27		1053831	Cable, Adapter	1	1
28		See Chart	# 28 Pulley/Clutch Shroud - Grey	1	1

# Battery Box, Shrouds, Chargers and Cables

NOTE: A - On 2" Lower Chairs ONLY, the mounting bracket is used as a spacer to align the shroud when attaching to the chair. When using a 2" lower recliner, the screws are used to mount the bracket in a specific location prior to mounting the shroud.

B - On 7/18/01, Lester 8 amp. battery charger was reinstated for service parts.

B1 - CTE charger introduced 4/1/04. Used on Gel Cell or AGM (Absorbed Glass Mat) batteries. For wet cell batteries refer to the Lester charger.

B2 - CTE charger looks exactly the same as Dynamic's charger except for the company name that is silk screened on the narrow side panel, where the charger plug is (hard wired) attached. Serial number starts with 04A00000001.

C - Not Shown

D - See Pictorial

E - Non-Recliners, 16" to 18" Wide with Sectional Back

F - Non-Recliners, 14" and 15" Wide with Sectional Back

G - Non-Recliners, 20" to 24" Wide with Permanent Uprights and Dual Crossbraces

H - 2" Lower Manual Recliners, 14" Wide

I - 2" Lower Manual Recliners, 16" Wide

J - 2" Lower Manual Recliners, 18" Wide

K - Manual Recliners, 16" to 18" Wide

L - Manual Recliners, 14" and 15" Wide

M - 2" Lower Manual Recliners, 14" Wide

N - 2" Lower Manual Recliners, 16" Wide

O - 2" Lower Manual Recliners, 18" Wide

P - Power Back Recliners, 16" to 18" Wide

Q - Labac, 16" to 18" Wide

R - Sectional Backs

S - Manual Recliners

T - Power Back Recliners

U - Part numbers 50000X025, 1019694, 1029687, 1010578, 1010701, 16348X005, and 47375X277 are available for individual sale or as part of "Miscellaneous Lid Hardware".

V - See page titled "Battery Box Hangers".

W - Labac

X - Introduced After 1/17/92

Y - After 3/10/03

Z - Before 3/11/03

## Item # 28 Pulley/Clutch Shroud - Grey

Side	Non-Recline Standard Height	Non-Recline 2" Lower Height	Recliner Standard Height	Recliner Tall	Recliner 2" Lower Height
Right	1037648-NLA	1031881	1028683-NLA	1043253	1035132-NLA
Left	1037649-NLA	1031882	1028684	1043254	1035133-NLA

NOTE: Chairs manufactured after 1/17/92 went from black pulley/clutch shrouds to a grey. Shrouds should be ordered in pairs along with items 20, 21, 22 for chairs made before 1/18/92.

# Battery Box Hangers

NOTE: LABAC Chairs use the same configurations as the Non-LABAC Chairs.

Chair Description	Side	14" or 15" Wide	16" thru 18" Wide	19" thru 24" Wide
4M or 5M with Standard Crossbraces Sectional Back or Manual Recliner	Right	1029690-NLA	1027935-NLA	1033959-NLA
	Left	1029691-NLA	1027936-NLA	1033960-NLA
4M or 5M with Dual Crossbraces or Depth over 20" Sectional, Non-Sectional or Manual Recliner	Right	1035848-NLA	1033961-NLA	1033959-NLA
	Left	1035849-NLA	1033962-NLA	1033960-NLA
4M with L-2P and Standard Crossbraces Sectional Back or Manual Recliner	Right	1035576-NLA	1033961-NLA	N/A
	Left	1035577-NLA	1033962-NLA	N/A
4M with L-2P and Dual Crossbraces Sectional Back	Right	1035576-NLA	1033961-NLA	1033959-NLA
	Left	1035577-NLA	1033962-NLA	1033960-NLA
4M with L-2P and Standard Crossbraces Manual Recliner	Right	1035997-NLA	1033961-NLA	1027935-NLA
	Left	1035996-NLA	1033962-NLA	1027936-NLA
4M with L-2P and Dual Crossbraces Manual Recliner	Right	Order as a Special	1033961-NLA	N/A
	Left	Order as a Special	1033962-NLA	N/A
4M with Standard Crossbraces Power Back Recliner	Right	N/A	1027935-NLA	N/A
	Left	N/A	1027936-NLA	N/A

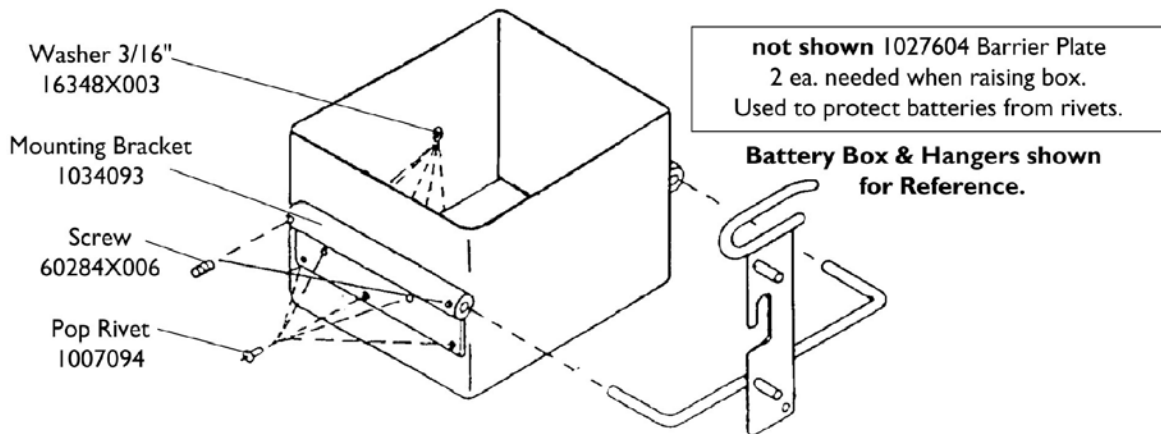


# Battery Box Hangers

NOTE: LABAC Chairs use the same configurations as the Non-LABAC Chairs.

## Mounting Bracket to Raise Battery Box

Sectional Backs and Manual Recline Chairs Over 14" Wide



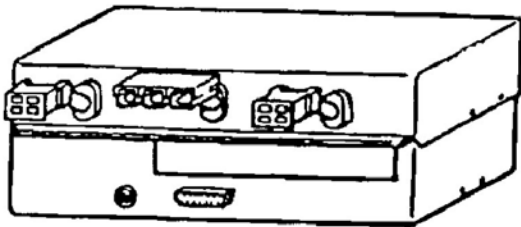
# Battery Box Hangers

**NOTE: LABAC Chairs use the same configurations as the Non-LABAC Chairs.**

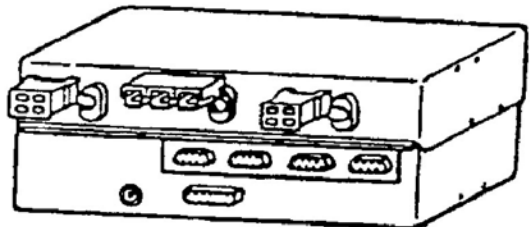
Description	Part Number
Barrier Plate (Not Shown) 2 each needed when raising box. Used to protect batteries from rivets.	1027604
Washer 3/16"	16348X003
Mounting Bracket	1034093
Screw	60284X006-NLA
Pop Rivet	1007094

# MKIII Arrow Controllers without Mounting Hardware

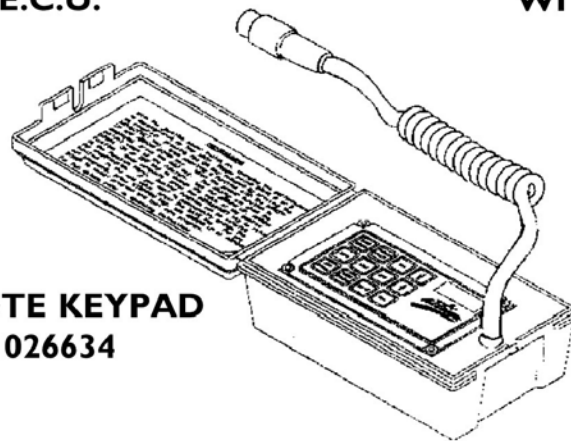
Before 4/1/96



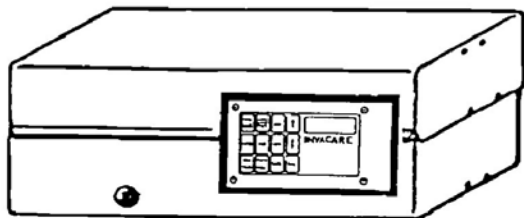
**WITHOUT E.C.U.**



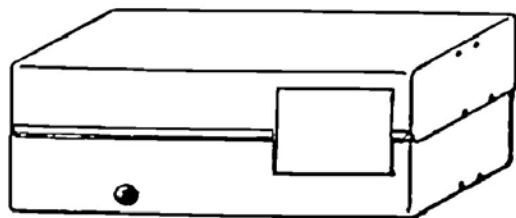
**WITHOUT E.C.U.**



**REMOTE KEYPAD  
1026634**



**WITH KEYPAD**



**WITHOUT KEYPAD**

# MKIII Arrow Controllers without Mounting Hardware Before 4/1/96

## Controllers Before 12/91

Part Number	Description	Package Quantity
1027378E-NLA	Without E.C.U. - Repair only/Reconditioned	1
1027419E	With E.C.U. - Repair only/Reconditioned	1

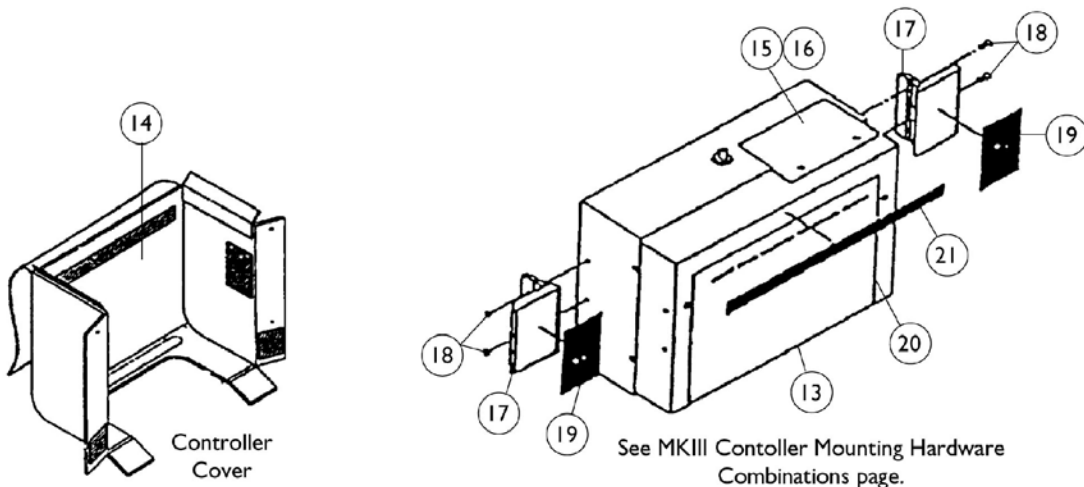
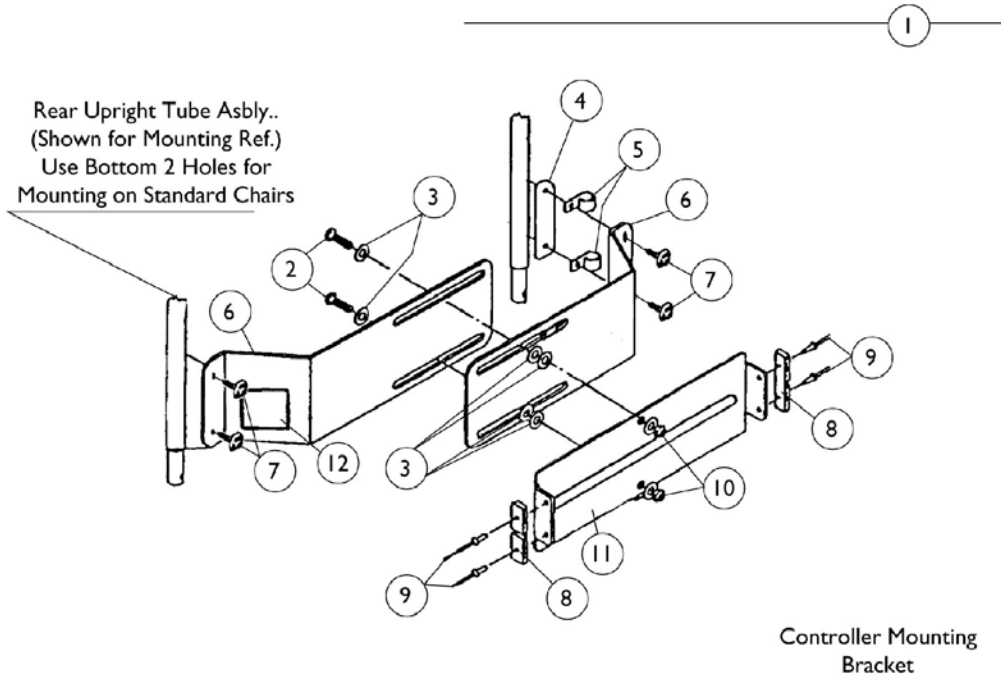
## Controllers After 11/91

Part Number	Description	Package Quantity
1027378E-NLA	Without E.C.U. W/Keypad - Repair only/Reconditioned	1
1032681E See Note(s) A	Without E.C.U. W/O Keypad - Repair only/Reconditioned	1
1027419E	With E.C.U. W/Keypad - Repair Only/Reconditioned	1
1032682-NLA See Note(s) A	With E.C.U. W/O Keypad - Repair Only/Reconditioned	1

NOTE: A - Controllers without keypads can only be programmed with a 1026634 Remote Keypad.

# MKIII Controller Mounting Hardware

## Before 4/1/96



## MKIII Controller Mounting Hardware Before 4/1/96

Item Number	Note	Part Number	Description	Quantity Per	
				Package	Assembly
1	A,E	1029175	Bracket, Complete Control Adjustment	1	1
1	A,F	1029174	Bracket, Complete Control Adjustment	1	1
2		1029232	Screw, Socket Button Head (5/16-24 x 1")	1	2
3		1025704	Washer, Flat (5/16 x 5/8 x 1/16")	1	2
4		1029168	Clamp Plate	1	1
5	B	50000X403	Clamp, (Black) Plastic	1	2
6	G	1034031	Plate, Control Adjustment	1	2
6	F	1034032	Plate, Control Adjustment	1	2
7		1031095	Screws with Washers (#10-16 x 7/8")	4	4
8		1007406	Keepers	1	2
9		1003177	Rivet	1	4
10		7930330	Locknut (5/16-24)	25	2
11		1028023	Bracket, Main Control	1	1
12		1013149	Label, Caution	1	1
13	C	See Page	See Footnote	1	1
14		1012814	Controller Cover	1	1
15		1026552	Key Pad Cover	1	1
16		1023102-NLA	Key Pad	1	1
17		50000X025	Lock Over Latch Clip	1	2
18		1009083	Screw, Flat Head (#6-32 x 3/8")	1	4
19		1029228	Fastener, Hook Self Adhesive (2" x 2-15/16")	1	2
20		1029231	Decal, Micro Hook-Up	1	1
21		1029230	Hook Material (9-15/16" x 5/8")	1	1
	D	1046117-NLA	Printer and Interface	1	1
	D	1026572-NLA	Paper, Printer	1	1
	D	1027280-NLA	Harness, Printer Wiring	1	1

NOTE: A - Also used to mount Ranger X controllers  
 B - Clamp color alternated between black and white  
 C - See page titled "MKIII Controller Mounting Hardware Combinations".  
 D - Not Shown  
 E - 14" or 16" Widths  
 F - 17" thru 22" Wide Chairs  
 G - 14" thru 16" Wide

## MKIII Controller Mounting Hardware Combinations

Description	Part Number	Sectional Backs	Manual Recliner	Power Back Recliner	Multi-Function Frame	XT
Hardware Package Part Numbers		1036113-NLA	1031033	1036113-NLA	1031035-NLA	1029852-NLA
Latch Clip	50000X025	X		X	X	
Keeper	1007406		X			
Spacer	1010578				X	
Screw (6-32 x 18")	1030900-NLA					X
Screw (6-32 x 3/8")	1009083	X	X	X		
Screw (6-32 x 5/8")	1009351				X	
Screw (6-32 x 3/4")	1011980				X	
Caution Label	1020054-NLA	X	X	X	X	X
Velcro Hook (2 x 3")	1029228	X		X		
Velcro Hook (5/8 x 10")	1029230	X		X		
Decal - Hook-Up	1029231	X	X	X	X	X
Grip Stud	1022498-NLA					X
Washer	1013496					X
Controller Mnt. Brkt.	1028917					X
Lock Washer	1008834					X
Foam Pad	1014285					X
Push on Retainer	1022500					X

# Electronics

## Micro Control Replacement Boards

**(Order Each Part Separately As Needed)**

Chair Series	Serial Numbers	Control Logic Board	Power Board	E.C.U. Board	E.P.R.O.M. I.C. Chip	E.P.R.O.M. Rev. Level
Arrow - MK I	89A-90B	1025585E See Note(s) C, A	1023104-NLA	1020824	1023105-NLA	2.03
Arrow - MK I	90C - 90J	1025585E See Note(s) B, C	1023104-NLA	1020824	1025584-NLA	3.05
Arrow - MK II	After 90J	1023116-NLA See Note(s) C	1023104-NLA	1020824	1024311	4.06
Arrow - MK II	Ranger X	N/A	N/A	N/A	N/A	N/A
Arrow - MK II	Ranger II	N/A	N/A	N/A	N/A	N/A
Action Arrow - MK III	91L - 92I	1030919-NLA	1030157	1020824	1032294	5.05
Action Arrow - MK III	92J - Present	1030919-NLA	1030157	1020824	1038514	6.1
Action Ranger X - MCC X	91L - 92H	1037377	1030157	N/A	1032295	1.04
Action Ranger X - MCC X	92I - 92J	1037377	1030157	N/A	1037366	2.3
Action Ranger X - MCC X	92K - Present	1037377	1030157	N/A	1038513	3.2
Action Ranger II - MCCR II	91L - 92H	1030921	1030157	N/A	1032296	1.04
Action Ranger II - MCCR II	92I - 92J	1030921	1030157	N/A	1037365	2.3
Action Ranger II - MCCR II	92K - Present	1030921	1030157	N/A	1038512	3.2

NOTE: A - To upgrade MK I to a MK II, Serial Numbers 89A thru 90B, change out control board with # 123116E.  
 B - To upgrade MK I to a MK II, Serial Numbers 90C thru 90J, change out E.P.R.O.M. with # 1024311.  
 C - Repair only.



**Electronics**  
**Micro Control Replacement Boards**  
**(Order Each Part Separately As Needed)**

Description	Part Number
Recon Logic Board MKII	1023116E
E.P.R.O.M. Chip MKII Rev. 4.06	1024311

**Micro Control Board Replacement Tools**

Description	Part Number
Static Cuff w/Alligator Clip	1031552-NLA
Repair Video Tape w/Instruction Sheet	1031546
Simulator Test Box w/Leads	1015976
Anti-Static Shipping Pouch for PC Boards	1020823
Instruction Book	1031551

# Electronics

## Micro Control Replacement Boards

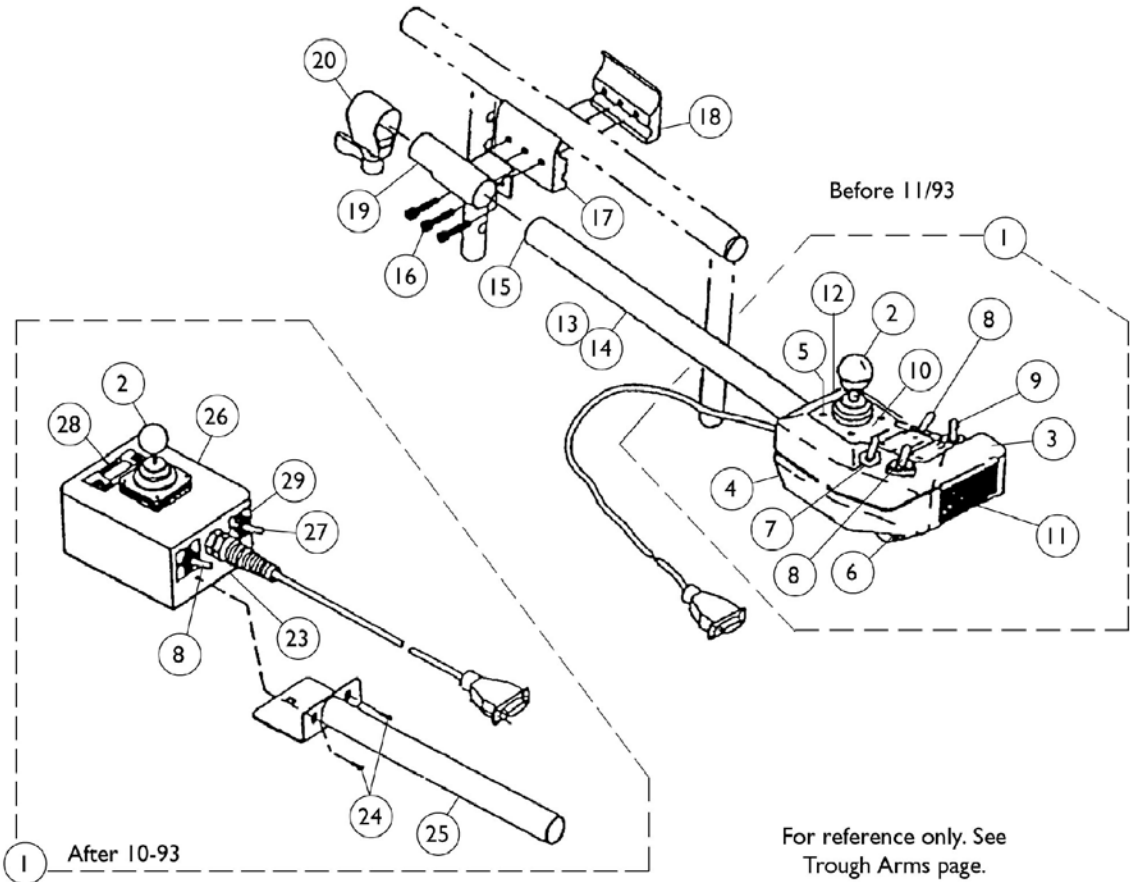
**(Order Each Part Separately As Needed)**

### Instruction Sheets

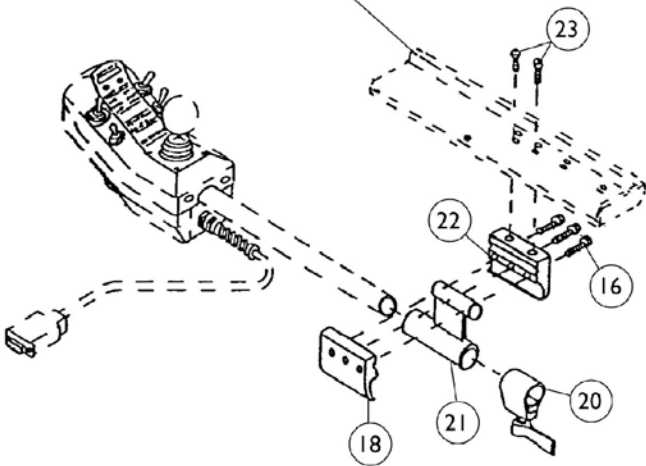
Description	Arrow MK II	Action Arrow MK III	Action Ranger X MCC X	Action Ranger II MCCR II
Control/Logic Board	1022990	1031547	1031551	1031551
Power Stage Board	1022991	1031547	1031551	1031551
E.C.U. Board	1020822	1020822	N/A	N/A
E.P.R.O.M I.C. Chip Serial Numbers Before 90C	1022992	N/A	N/A	N/A
E.P.R.O.M I.C. Chip Serial Numbers After 90B	1026440	1026440	1026440	1026440

# MKIII Arrow Joystick and Hardware

Before 4/1/96



For reference only. See Trough Arms page.



## MKIII Arrow Joystick and Hardware Before 4/1/96

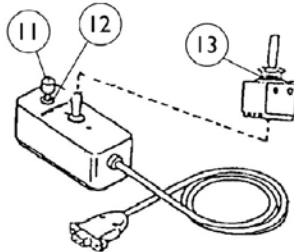
Item Number	Note	Part Number	Description	Quantity Per	
				Package	Assembly
1	B	1031039-NLA	Joystick with Tube	1	1
1	A,C	1028750-NLA	Joystick with Tube	1	1
1	A,E	1035609-NLA	Joystick with Tube	1	1
2		1032697	Inductive Joystick	1	1
2		1006191	Knob with Tolerance Ring	1	1
2		50000X364	Joystick, Boot	1	1
2		1007309	Screw, Phillip Pan Head (#4-40 x 1")	1	4
2		1013235	Spacer Pad, Inductive Joystick	1	1
3		1028872-NLA	Joystick Box Top, Grey	1	1
4		1028871-NLA	Joystick Box, Bottom, Grey	1	1
5		1020390-NLA	Screw, Phillips Flat Head (1 x 7/64")	1	4
6		1010051	Horn (8-16V)	1	1
7		1010358	Washer, Panel Seal (16/32 x 5/8 x 7/64")	1	4
8	G	1010042	Switch, Toggle SPDT	1	2
9		1018433	Switch, Center Return	1	1
10		1028017	Decal, Joystick Face	1	1
11		1003502	Decal, Reflective	1	1
12		1005891-NLA	Plug Button, Switch Hole	1	1
13		1028877	Control Bracket	1	1
14		1028477-NLA	Screw, Self Tapping (#6 x 1/2")	1	4
15		1027095	Plug Button, Black (7/8")	1	1
16		1027268	Screw, Allen Head (1/4-20 x 1")	1	3
17		1027266	Half Clamp, Non-Threaded Holes	1	1
18		1027267	Half Clamp, Threaded Holes	1	1
19		1030890	Bracket, Joystick Mounting	1	1
20		1027274	Lock, Adjustment (Black)	1	1
21	F	1029260	Joystick Mounting Bracket	1	1
22	F	1029256	Half Clamp, Un-Threaded Holes	1	1
23		11008X014	Screw, Phillips Round Head (#10-32 x 1")	1	2
24		1016401	Screw, Phillips Round Head (#10-32 x 3/8")	1	2
25		1030343	Joystick Bracket Assembly	1	1
26		1024064-NLA	Joystick Box, Top and Bottom	1	1
27		1028914	Switch, Hi / Lo / Off (Black)	1	1
28		1024151	Label, Battery	1	1
29		1024066-NLA	Label, Drive A - B	1	1
	D	1006271	Joystick Extension - Straight Style (1561) (1/2" Wide x 5" Long)	1	1
	D	1006270	Joystick Extension - "T" Style (1560) (4" Wide x 5-1/2" Long)	1	1

## MKIII Arrow Joystick and Hardware Before 4/1/96

NOTE: A - Service is repair only. Retrofitable with 1031039.  
B - After 10/93  
C - Before 11/93 - Grey Box  
D - Not Shown  
E - Before 11/91 - Black Box  
F - Trough Arm  
G - Black Switch is no longer available. The Chrome Switch part number 1010042 serves as a direct replacement

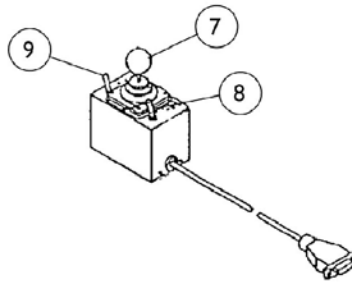
# Joystick Options Before 4/1/96

## Attendant Control



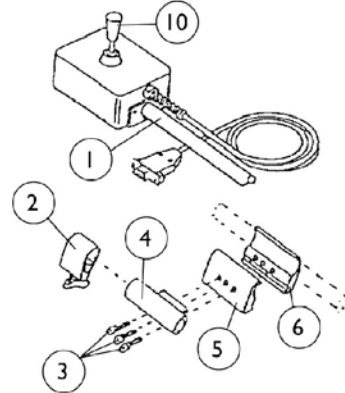
ON/OFF CHAIR:  
⊛ 1552M

## Remote Joystick



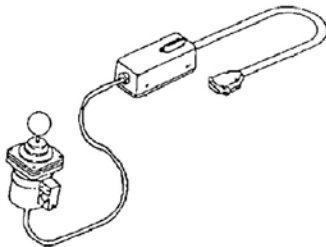
ON CHAIR: 1555M/ECU 1555M  
OFF CHAIR: ⊛ 1024067  
(Used with Display  
without Switches 1030109)

## Heavy Duty Joystick



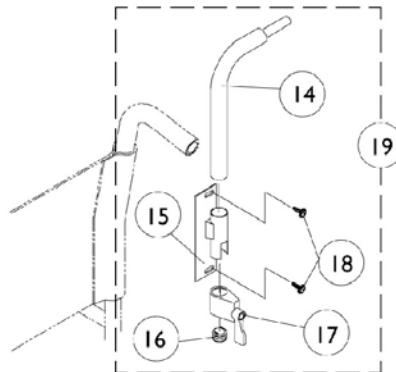
ON CHAIR: ⊛ 1556  
OFF CHAIR: ⊛ 1041544  
(Used with Display with  
Switches 1030110)

## Dual Joystick



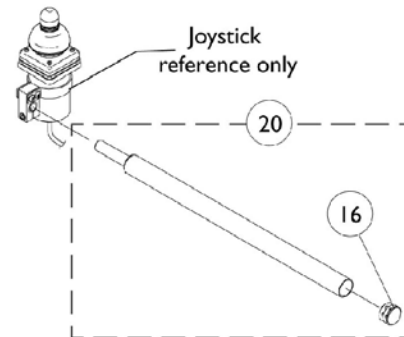
ON CHAIR: 1812  
OFF CHAIR: ⊛ 1026559

## Rear Cane Mount



Used with 1558M Compact Joystick  
ON CHAIR: 1673  
OFF CHAIR: 1044917

## Arm Mount



Used with 1558M Compact Joystick  
ON CHAIR: 1678  
OFF CHAIR: 1052309

⊛ Ribbon Reset Switch (1020818) may be required.

## Joystick Options Before 4/1/96

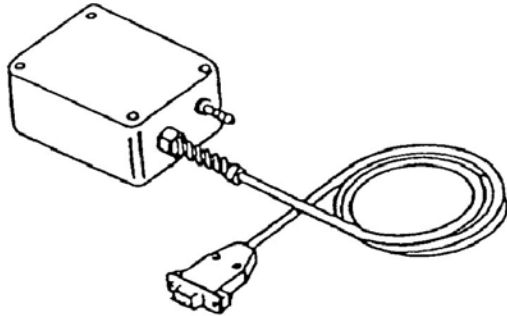
Item Number	Note	Part Number	Description	Quantity Per	
				Package	Assembly
1		1030343	Joystick Bracket Assembly	1	1
2		1027274	Lock, Adjustment (Black)	1	1
3		1027268	Screw, Allen Head (1/4-20 x 1")	1	3
4		1027252	Joystick Mounting Bracket	1	1
5		1027266	Half Clamp, Non-Threaded Holes	1	1
6		1027267	Half Clamp, Threaded Holes	1	1
7		1032697	Inductive Joystick	1	1
7		1006191	Knob with Tolerance Ring	1	1
7		50000X364	Joystick, Boot	1	1
8		1028914	Switch, Hi / Lo / Off (Black)	1	1
9	G	1010042	Switch, Toggle SPDT	1	1
10		1042367	Knob (Screw-on)	1	1
11		1010942-NLA	Push Button Cap	1	1
12	A	1028802	SPDT Switch	1	1
12	B	1010941-NLA	SPDT Switch	1	1
13		1025588	Directional Control Joystick Switch	1	1
14		1044918	Joystick Tube	1	1
15		1025245	Bracket, Upright -Right	1	1
16		1027095	Plug Button, Black (7/8")	1	1
17		1027274	Lock, Adjustment (Black)	1	1
18		1026298	Screws with Washers (#10 x 7/8")	2	2
18		1076284	Screw w/ washer (#10 x 7/8")	1	2
19	C	1044917	Hardware, Rear Cane Mount (1673/RCM)	1	1
20		1052309	Arm Mount Tube with Plug Button	1	1
	D,E	1024067-NLA	Joystick, Remote	1	1
	D,E	1041544-NLA	Joystick, Heavy Duty	1	1
	D,E	1026559-NLA	Joystick, Dual Option	1	1
	D	1044917	Hardware, Rear Cane Mount (1673/RCM)	1	1
	D	1052309	Arm Mount Tube with Plug Button	1	1
	D	1030110-NLA	Display with Switches and Flextube, MK III	1	1
	D	1020818	Switch, Red Flex Ribbon (Tape) Reset	1	1
	F	1123276	Kit, Switch, Black Egg Reset, with Hook/Loop Adhesive Back Fastener & Attaching Screws (EGSBLK)	1	1

NOTE: A - After 7/91  
 B - Before 8/91  
 C - Includes items 14-18  
 D - See pictorial  
 E - Ribbon Reset Switch (1020818) may be required.  
 F - Not Shown. After 5/23/04 the Egg Reset Switch became available as a service part and can be used as a direct replacement for the tape reset switch part # 1020818.  
 G - Black Switch is no longer available. The Chrome Switch part number 1010042 serves as a direct replacement

# Switch Options

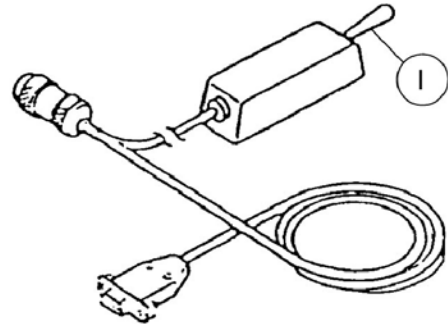
## Before 4/1/96

### Pneumatic Switch Control (Sip-N-Puff)



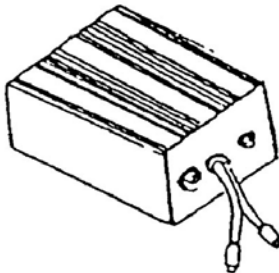
ON CHAIR: ★ 1554  
 OFF CHAIR ★ 1031031  
 (used with Non-Proportional Display 1030110)

### Recliner Interface Cable



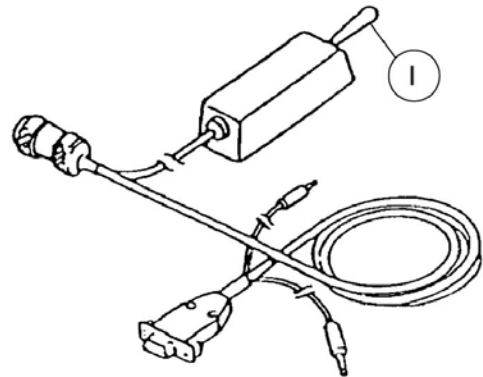
ON CHAIR: ★ 1553  
 OFF CHAIR ★ 1010636  
 WITHOUT E.C.U ★ 1005151

### Recline/Actuator CONTROL BOX



ON CHAIR: 1815  
 OFF CHAIR: ★ 1026251

### Recliner Interface Cable (Dual E.C.U. / Phono Plugs)



ON CHAIR: 1595  
 OFF CHAIR: ★ 1031038

★ Ribbon Reset Switch (1020818) may be required.

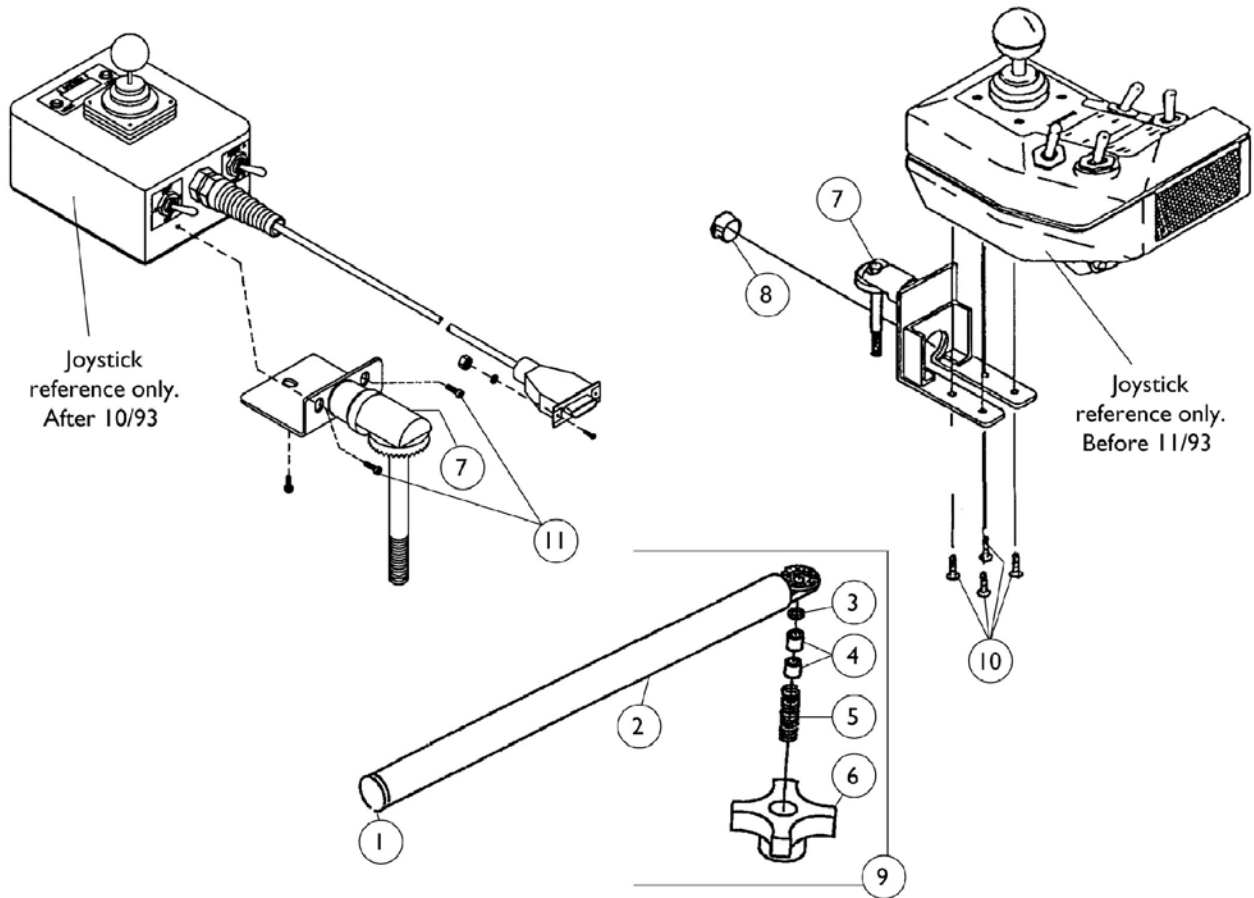


## Switch Options Before 4/1/96

Item Number	Note	Part Number	Description	Quantity Per	
				Package	Assembly
	B	1022471	SPDT Switch	1	1
	A,B	1031031	Pneumatic Switch Control, Off Chair	1	1
	B	1030110-NLA	Display with Switches and Flextube, MK III	1	1
	A,B	1010636	Recliner Interface Cable	1	1
	A,B	1005151	Cable, Recliner	1	1
	A,B	1026251-NLA	Recline/Actuator Control Box, Off Chair	1	1
	A,B	1031038-NLA	Recliner Interface Cable, Off Chair	1	1
	B	1020818	Switch, Red Flex Ribbon (Tape) Reset	1	1
	C	1123276	Kit, Switch, Black Egg Reset, with Hook/Loop Adhesive Back Fastener & Attaching Screws (EGSBLK)	1	1
NOTE: A - Ribbon Reset Switch (1020818) may be required) B - See pictorial C - Not Shown. After 5/23/04 the Egg Reset Switch became available as a service part and can be used as a direct replacement for the tape reset switch part # 1020818.					

# Swivel Joystick Mount

Before 4/1/96

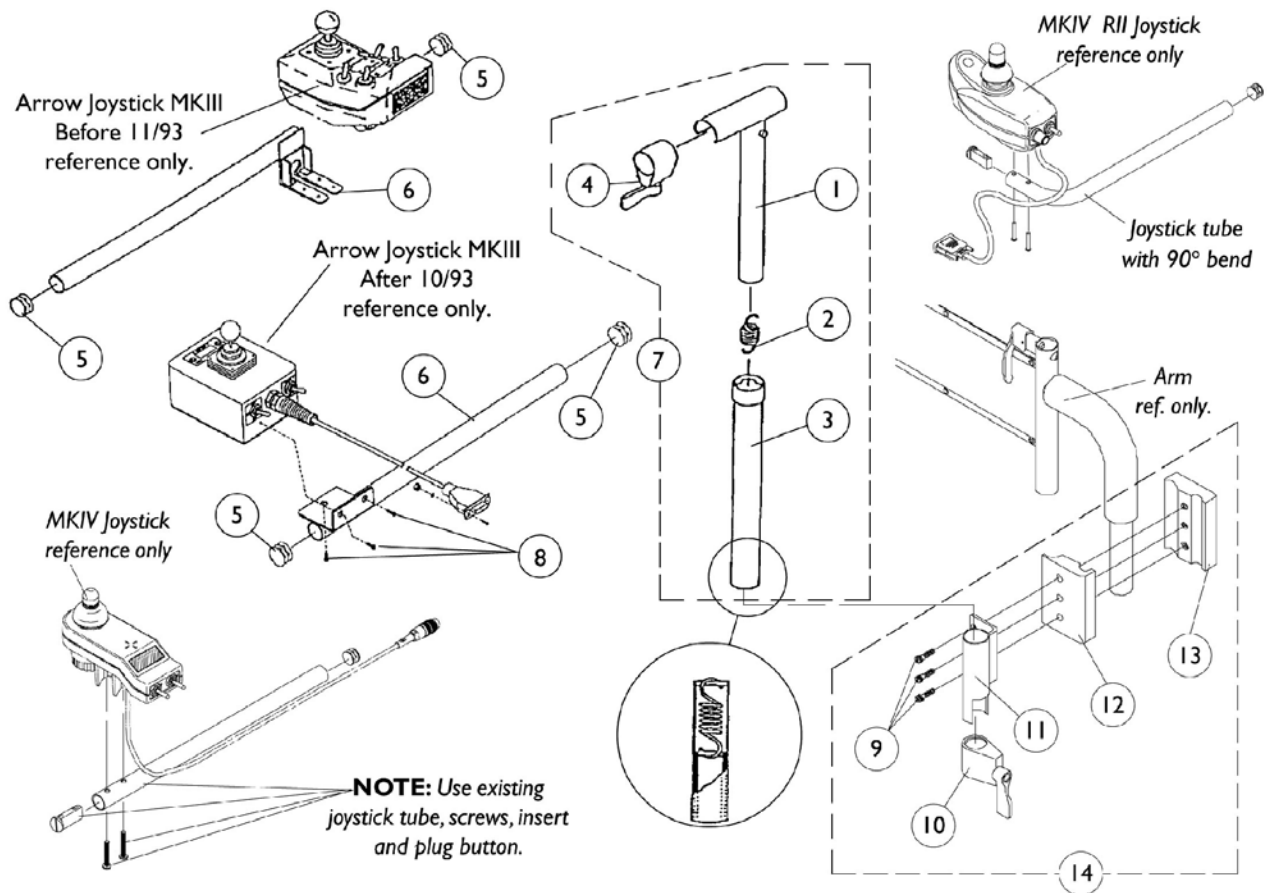


## Swivel Joystick Mount Before 4/1/96

Item Number	Note	Part Number	Description	Quantity Per	
				Package	Assembly
1		1027095	Plug Button, Black (7/8")	1	1
2		1035990	Tube, Swivel Joystick	1	1
3		1020551	Washer, Flat (1/4 x 3/8 x 1/16")	1	1
4		1005844	Bushing	1	2
5		1002511	Spring, Hitch Bracket	1	1
6		1023670	Knob, Clamping	1	1
7	A	1035988	Joystick, Swivel Bracket	1	1
7	B	1042373	Joystick, Swivel Bracket	1	1
7	C	1035993	Joystick, Swivel Bracket	1	1
8		1023784	Plug Button, Black (5/8")	1	1
9		1035986	Swivel Joystick Tube with Hardware	1	1
10		1020387	Screw, Phillips Pan Head (#6 x 1/2")	1	4
11		1016401	Screw, Phillips Round Head (#10-32 x 3/8")	1	2
NOTE: A - Before 11/93 B - After 10/93 (Short standard 1810M) C - Ranger X (MCC X)					

# Mid-Line Swing Bracket Assembly

**NOTE:** Joystick tube with 90 degree bend replaces the standard tube when joysticks PSF, PSR and (RII part number 1092610) are used. Joystick Tube with 90 degree bend must be ordered as a special when a replacement is needed.



## Mid-Line Swing Bracket Assembly

**NOTE: Joystick tube with 90 degree bend replaces the standard tube when joysticks PSF, PSR and (RII part number 1092610) are used. Joystick Tube with 90 degree bend must be ordered as a special when a replacement is needed.**

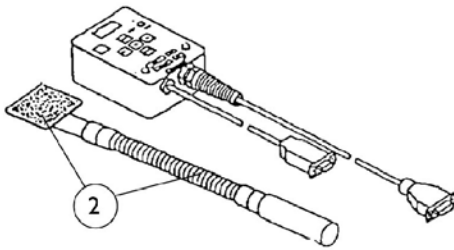
Item Number	Note	Part Number	Description	Quantity Per	
				Package	Assembly
1		1035528	Adjustment Tube, (Inside) Mid-Line	1	1
2		1016778	Spring, Extension	1	1
3		1035860	Adjustment Tube, (Outside) Mid-Line	1	1
4		1027274	Lock, Adjustment (Black)	1	1
5		1027095	Plug Button, Black (7/8")	1	2
6	A,B	1035857	Joystick Mounting Tube	1	1
6	A,C	1038425	Joystick Mounting Tube	1	1
6	A,G	1035855	Joystick Mounting Tube	1	1
7	D	1035852	Swing Bracket Assembly, Mid-Line	1	1
8		1016401	Screw, Phillips Round Head (#10-32 x 3/8")	1	3
9		7930349	Screw, Hex Head (1/4-20 x 1-1/8")	25	3
10		1027274	Lock, Adjustment (Black)	1	1
11		1049582	Bracket, Joystick Mounting	1	1
12		1027266	Half Clamp, Non-Threaded Holes	1	1
13		1027267	Half Clamp, Threaded Holes	1	1
14	E	1049591	Hardware, Joystick Tube Mounting	1	1
	F	1092610	Joystick, RII	1	1

**NOTE:** A - Left side is not a stock item and must be ordered as a special.  
 B - Arrow Before 11/93 - Right  
 C - Arrow After 10/93 - Right  
 D - Does not include items 5, 6 or 8  
 E - Includes items 9-13  
 F - Not Shown  
 G - Ranger X (MCC X)

# Displays

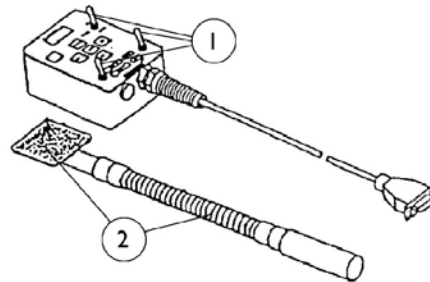
## Before 4/1/96

### Display without Switches



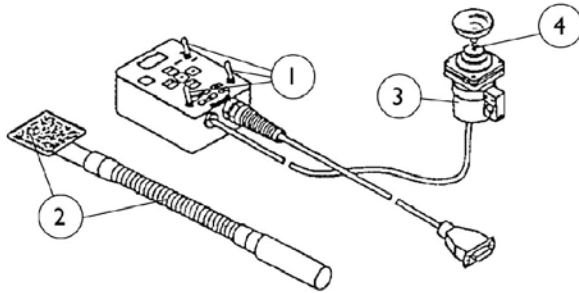
ON CHAIR: 1555M/ECU1555M  
 OFF CHAIR: ⚙️ 1030109  
 (used with Remote Joystick 1024067)

### Display with Switches



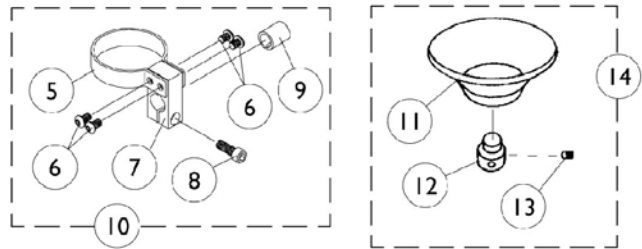
ON CHAIR: 1551M  
 OFF CHAIR: ⚙️ 1030110  
 (used with Pneumatic Switch 1031031 or  
 Heavy Duty Joystick 1011033)

### Compact Joystick/Display and Mtg. Hardware



ON CHAIR: 1558M/ECU1558M  
 OFF CHAIR: ⚙️ 1031037

### Compact Joystick Mounting Hardware



⚙️ Ribbon reset switch (1020818) may be required.

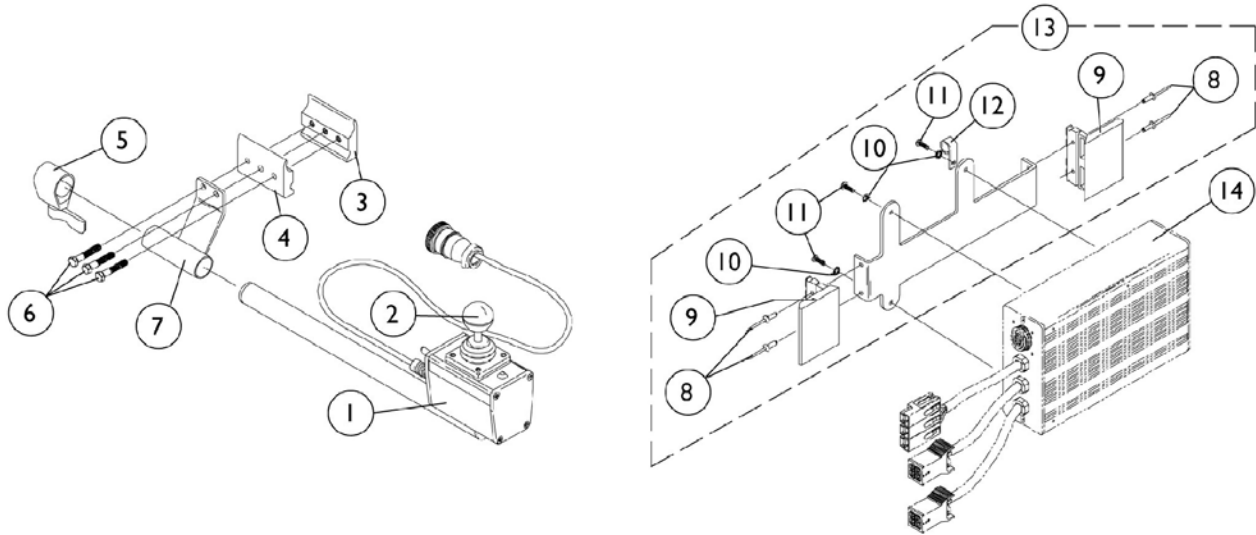
## Displays Before 4/1/96

Item Number	Note	Part Number	Description	Quantity Per	
				Package	Assembly
1		1027303	Toggle Switch	1	3
2		1030105	Tube, Flex	1	1
3		1032696	Joystick, Inductive	1	1
4		50000X364	Joystick, Boot	1	1
5		1025048	Clamp	1	1
6		1021460	Screw, Socket Button Head (#10-32 x 5/16")	1	4
7		1025045	Clamp, Mounting	1	1
8		1027089	Screw, Socket Head Cap (#10-24 x 1/2")	1	1
9		1026273	Spacer, Split (3/8" I.D.)	1	1
10		1108012	Hardware, Dual/Compact Joystick Clamp Mounting	1	1
11		1017545	Chin Cup	1	1
12		1017612	Screw, Adaptor	1	1
13		90032X000	Screw, Socket Set (#8-32 x 1/4")	1	1
14		1020392	Chin Cup Assembly (1826)	1	1
	A,B	1020818	Switch, Red Flex Ribbon (Tape) Reset	1	1
	C	1123276	Kit, Switch, Black Egg Reset, with Hook/Loop Adhesive Back Fastener & Attaching Screws (EGSBLK)	1	1
	A,B	1030109-NLA	Display without Switches and Flextube, MK III	1	1
	B	1024067-NLA	Joystick, Remote	1	1
	A,B	1030110-NLA	Display with Switches and Flextube, MK III	1	1
	B	1031031	Pneumatic Switch Control, Off Chair	1	1
	B	1011033	Heavy Duty Joystick	1	2
	A,B	1031037-NLA	Chin Joystick with Display	1	1

NOTE: A - Ribbon reset switch (1020818) may be required.  
 B - See pictorial  
 C - Not Shown. After 5/23/04 the Egg Reset Switch became available as a service part and can be used as a direct replacement for the tape reset switch part # 1020818.

# MCCX Joystick and Controller

Before 4/1/96



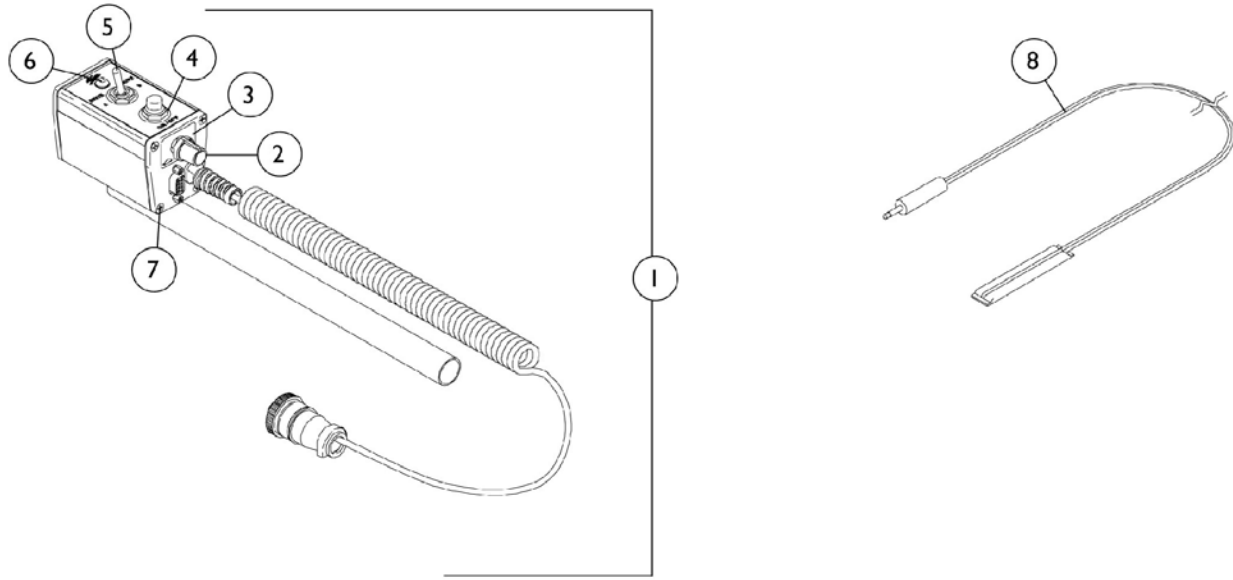


## MCCX Joystick and Controller Before 4/1/96

Item Number	Note	Part Number	Description	Quantity Per	
				Package	Assembly
1	A	1027409	Joystick with Tube	1	1
1	B	1006715-NLA	Joystick with Tube	1	1
2		1032696	Joystick, Inductive	1	1
2		1006191	Knob with Tolerance Ring	1	1
2		50000X364	Joystick, Boot	1	1
2		1028079	Screw, Phillips Pan Head (#4 x 5/8")	1	4
3		1027267	Half Clamp, Threaded Holes	1	1
4		1027266	Half Clamp, Non-Threaded Holes	1	1
5		1027274	Lock, Adjustment (Black)	1	1
6		1027268	Screw, Allen Head (1/4-20 x 1")	1	3
7		1027252	Joystick Mounting Bracket	1	1
8		16348X004	Rivet	1	4
9	G	50000X025	Lock Over Latch Clip	1	2
10		1027263	Washer, Lock Tooth (3/16 x 3/8 x 1/32")	1	3
11		1027264	Screw, Phillips Pan Head (#8-32 x 1/2")	1	3
12		50000X403	Clamp, (Black) Plastic	1	1
13		1027238-NLA	Controller Bracket without Hardware	1	1
13		1037178-NLA	Controller Bracket with Hardware	1	1
14	C	1036494-NLA	Controller without Bracket	1	1
14	D,F	1026451-NLA	Controller without Bracket	1	1
	E	1006271	Joystick Extension - Straight Style (1561) (1/2" Wide x 5" Long)	1	1
	E	1006270	Joystick Extension - "T" Style (1560) (4" Wide x 5-1/2" Long)	1	1
	E	1036494E	Controller without Bracket, MCCX	1	1
NOTE: A - After 11/91 B - Before 12/91- Repair Only C - After 10/92 D - Before 11/92 E - Not Shown F - Repair only or use 1036494E reconditioned G - For Keeper					

# MCCX Switch Option Interface

Before 4/1/96



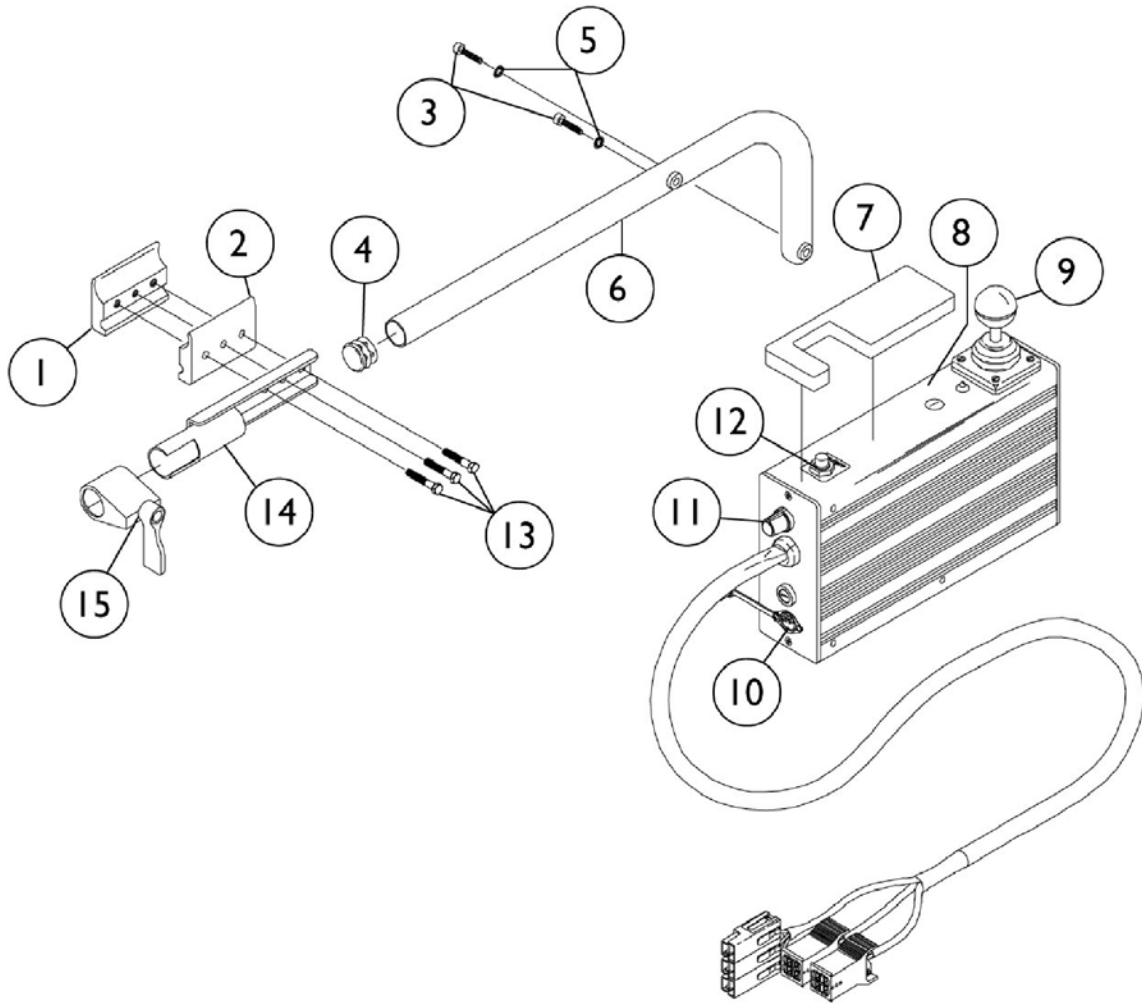
## MCCX Switch Option Interface Before 4/1/96

Item Number	Note	Part Number	Description	Quantity Per	
				Package	Assembly
1		1036493	Switch Option with Instructions	1	1
2		1025516	Knob, Speed Control	1	1
3		1028083	Speed Pot Decal	1	1
4		1010049	Boot, Switch	1	1
4		1010048	Switch Push Button SPST	1	1
5	C	1010042	Switch, Toggle SPDT	1	1
6		1011719	Tri-Colored LED Light with Wires	1	1
6	A	1011699-NLA	Tri-Colored LED Light without wires	1	1
7		1028529	Screw, Phillips Pan Head (#8-32 x 3/8")	1	8
8		1020818	Switch, Red Flex Ribbon (Tape) Reset	1	1
8	B	1123276	Kit, Switch, Black Egg Reset, with Hook/Loop Adhesive Back Fastener & Attaching Screws (EGSBLK)	1	1

NOTE: A - Order 1011719 with wires  
 B - Not Shown. After 5/23/04 the Egg Reset Switch became available as a service part and can be used as a direct replacement for the tape reset switch part # 1020818.  
 C - Black Switch is no longer available. The Chrome Switch part number 1010042 serves as a direct replacement

# MCC RII Controller

Before 8/15/95

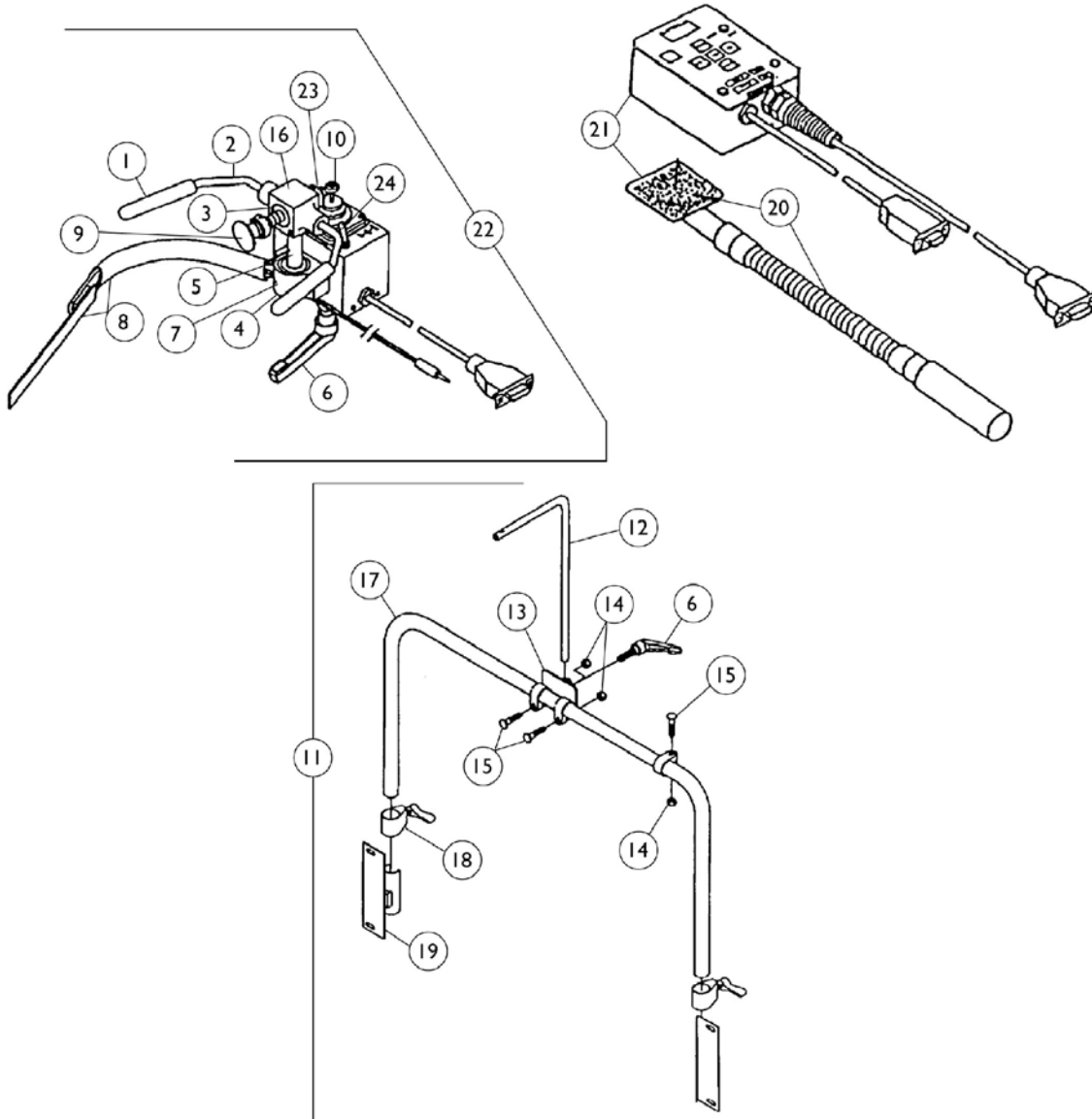


## MCC RII Controller Before 8/15/95

Item Number	Note	Part Number	Description	Quantity Per	
				Package	Assembly
1		1027267	Half Clamp, Threaded Holes	1	1
2		1027266	Half Clamp, Non-Threaded Holes	1	1
3		1034155	Screw, Socket Button Head (1/4-20 x 1")	1	2
4		1027095	Plug Button, Black (7/8")	1	1
5		1034153	Lockwasher (1/8" x 3/4" x 1/16")	1	2
6		1035412	Controller Bracket, Universal	1	1
7		1038787	Foam Pad	1	1
8	A	1027390-NLA	Joystick/ Controller w/o Hardware (Repair Only)	1	1
9		1032696	Joystick, Inductive	1	1
9		1006191	Knob with Tolerance Ring	1	1
9		50000X364	Joystick, Boot	1	1
9		1028079	Screw, Phillips Pan Head (#4 x 5/8")	1	4
10		1005891-NLA	Plug Button, Switch Hole	1	1
11		1025516	Knob, Speed Control	1	1
11		1025517	10K Speed Pot	1	1
12		1010048	Switch Push Button SPST	1	1
12		1010049	Boot, Switch	1	1
12		1011701	On/ Off Switch Label	1	1
13		7930349	Screw, Hex Head (1/4-20 x 1-1/8")	25	3
14		1035414	Controller Bracket Tube	1	1
15		1027274	Lock, Adjustment (Black)	1	1
	B	05501X053-NLA	Connector Boot/ Rain Cover	1	1
	B	1027390-NLA	Joystick/ Controller w/o Hardware (Repair Only)	1	1

NOTE: A - MKIV RII joystick and controller used after 8/13/95 can be used in place of joystick/controller part number 1027390. New MKIV joystick and controller mounting hardware must be ordered as well.  
B - Not Shown

# MKIII R.I.M. Head Control and Mounting Hardware (1500/1500H) Before 4/1/96



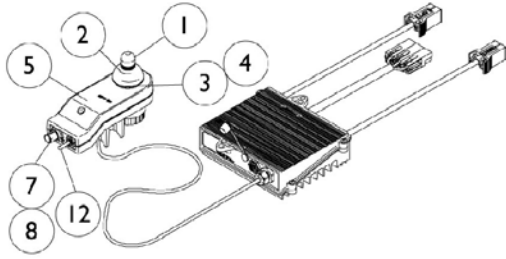
## MKIII R.I.M. Head Control and Mounting Hardware (1500/1500H) Before 4/1/96

Item Number	Note	Part Number	Description	Quantity Per	
				Package	Assembly
1		1025258	Rod, Cushion	1	1
2		1025263-NLA	Bar, Control	1	1
3		1018113	Linear Bearing	1	1
4		40314X003	Spring Clip, Rotor	1	1
5		1025238-NLA	Rod, Pivot	1	1
6		1022420-NLA	Handle, Rim Control	1	1
7		1025269-NLA	Bearing, Pillow Block	1	1
8		1025271	Ribbon Reset Switch and Bracket	1	1
8		1020818	Switch, Red Flex Ribbon (Tape) Reset	1	1
9	A	1025270-NLA	Push Rod Assembly	1	1
9		1016428	Guard, Axle	1	1
10		1001625	Tie Rod End	1	1
11	C	1025281-NLA	Hardware Assembly, Rim Control	1	1
11	D	1025265-NLA	Hardware Assembly, Rim Control	1	1
11	E	1025266-NLA	Hardware Assembly, Rim Control	1	1
11	F	1025267-NLA	Hardware Assembly, Rim Control	1	1
12		1025248-NLA	Rod, Joystick Mounting	1	1
13		1025250-NLA	Bracket, Rod Mounting	1	1
14		7930363	Package, Locknut (5/16"-24)	1	2
15		11232X009	Screw, Lug (5/16-24 x 1-3/8")	25	2
16		1025241-NLA	Block, Bearing	1	1
17	C	1025277-NLA	Tube, Support Upright	1	1
17	D	1025276	Tube, Support Upright	1	1
17	E	1025278	Tube, Support Upright	1	1
17	F	1025280	Tube, Support Upright	1	1
18		12592X000	Lock Adjustment	1	1
19		1025245	Bracket, Upright -Right	1	1
19		1025246	Upright Bracket - Left	1	1
20		1030105	Tube, Flex	1	1
21		1030109-NLA	Display without Switches and Flextube, MK III	1	1
22		1025264	Joystick, Remote	1	1
23	G	1010042	Switch, Toggle SPDT	1	1
24		1028914	Switch, Hi / Lo / Off (Black)	1	1
	B	1031614	Instruction Sheet, R.I.M.	1	1

NOTE: A - Includes: push rod cap, collar with set screw, spring, push rod, nut and tie rod end.  
B - Not Shown  
C - 12" Wide Chair  
D - 14" Wide Chair  
E - 16" Wide Chair  
F - 18" Wide Chair  
G - Black Switch is no longer available. The Chrome Switch part number 1010042 serves as a direct replacement

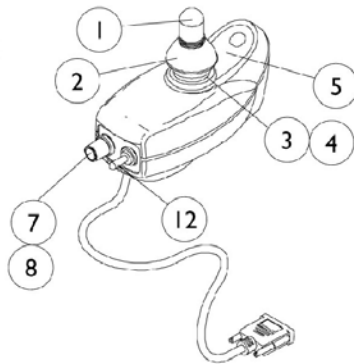
# MKIV Joysticks

## RII, RX, A, A+, TCHJOY

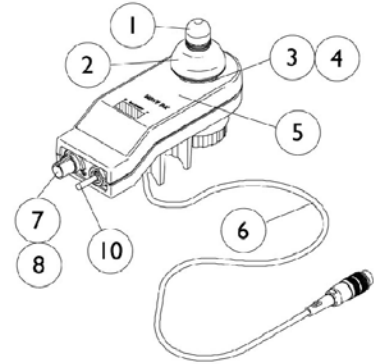


**1080723 NLA**  
**RII Joystick/Controller**  
 8/15/95 Thru 4/30/96

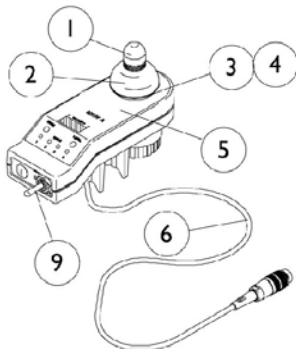
⊛ Service part # (1080723) obsoleted 5/1/00,  
 the following must be ordered as replacements:  
 RII Joystick part # (1092610)  
 RII Retro Controller part # (1095269)  
 Remote Programmer part # (1109091)



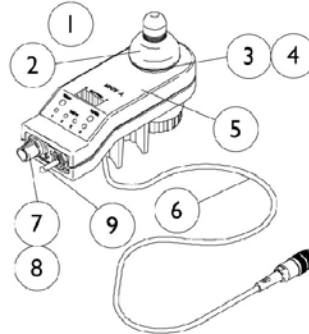
**1092610**  
**RII Joystick**  
 After 4/30/00



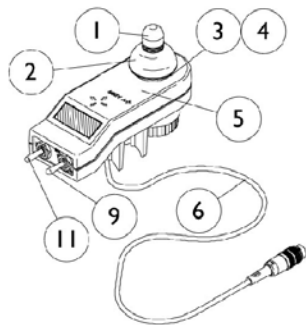
**1038603**  
**RX Joystick**  
 4/1/96 Thru 3/31/98



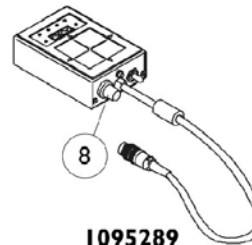
**1038604**  
**A Joystick**  
 4/1/96 Thru 8/31/96



**1065944**  
**A Joystick**  
 9/1/96 Thru 3/31/98



**1038608**  
**A+ Joystick**  
 4/1/96 Thru 3/31/98



**1095289**  
**TCHJOY**  
**Touchpad "A"**  
**Joystick**  
 Available Service Part  
 After 10/1/00



## MKIV Joysticks RII, RX, A, A+, TCHJOY

Item Number	Note	Part Number	Description	Quantity Per	
				Package	Assembly
	C	1080723-NLA	Joystick/Controller, MKIV RII	1	1
	B	1095269	Controller, MKIV RII Retro	1	1
	B	1109091	Programmer, Remote	1	1
	B	See Chart	MKIV Joysticks	1	1

NOTE: B - Not Shown  
C - For joystick inductive and switch components, refer to chart under RII joystick assembly part number 1092610

Item Number	Description	RII After 4/30/00	RX 4/1/96- 3/31/98	A 4/1/96- 8/31/96	A 9/1/96- 3/31/98	A+ 4/1/96- 3/31/98	TCHJOY Available Service Part After 10/1/00
See Pictorial	Joystick Assembly	1092610	1038603-NLA	1038604-NLA	1065944	1038608	1095289
1	Knob, Joystick	1040217	1040217	1040217	1040217	1040217	N/A
2	Skirt, Joystick	1040218	1040218	1040218	1040218	1040218	N/A
3	Inductive, Joystick	1036764 See Note(s) B	1036764 See Note(s) C	1036764 See Note(s) B	1036764 See Note(s) C	1036764 See Note(s) B	N/A
3	Inductive, Joystick	N/A	1104397 See Note(s) D	N/A	1104397 See Note(s) D	N/A	N/A
4	Boot, Joystick	50000X364	50000X364	50000X364	50000X364	50000X364	N/A
5	Overlay, Joystick Decal	1049692-NLA See Note(s) A	1038642	1040190	1040190	1036776	N/A
6	Cable Assembly	N/A See Note(s) A	1036750 See Note(s) C	1036750 See Note(s) B	1036750 See Note(s) C	1036750 See Note(s) B	N/A
6	Cable Assembly	N/A	1104205 See Note(s) D	N/A	1104205 See Note(s) D	N/A	N/A
7	Potentiometer, Speed	1040225 See Note(s) B	1040225 See Note(s) C	N/A	1040225 See Note(s) C	N/A	N/A
7	Potentiometer, Speed	N/A	1115518 See Note(s) D	N/A	1115518 See Note(s) D	N/A	N/A
8	Knob, Potentiometer	1025516	1025516	N/A	1025516	N/A	1025516
9	Switch, On/Off Momentary	N/A	N/A	1040185 See Note(s) B	1040185 See Note(s) C	1040185 See Note(s) B	N/A
9	Switch, On/Off Momentary	N/A	N/A	N/A	1115523 See Note(s) D	N/A	N/A

# MKIV Joysticks

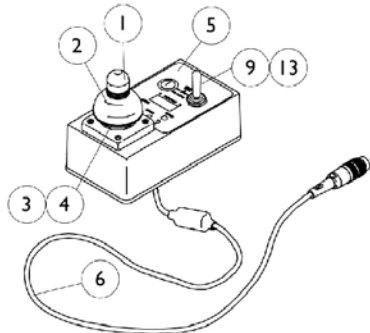
## RII, RX, A, A+, TCHJOY

Item Number	Description	RII After 4/30/00	RX 4/1/96- 3/31/98	A 4/1/96- 8/31/96	A 9/1/96- 3/31/98	A+ 4/1/96- 3/31/98	TCHJOY Available Service Part After 10/1/00
10	Switch, Off/ 1-2	N/A	1038627 See Note(s) C	N/A	N/A	N/A	N/A
10	Switch, Off/ 1-2	N/A	1115521 See Note(s) D	N/A	N/A	N/A	N/A
11	Switch, Program	N/A	N/A	N/A	N/A	1040186 See Note(s) B	N/A
12	Switch, Toggle SPDT	1010042 See Note(s) B	N/A	N/A	N/A	N/A	N/A
NOTE: A - Cable assembly and joystick overlay decal for RII joystick before 10/01/02 and after 9/30/02 are not available. B - Item requires soldering C - Before 10/01/02 item requires soldering D - After 9/30/02 item has a non-solder connector.							

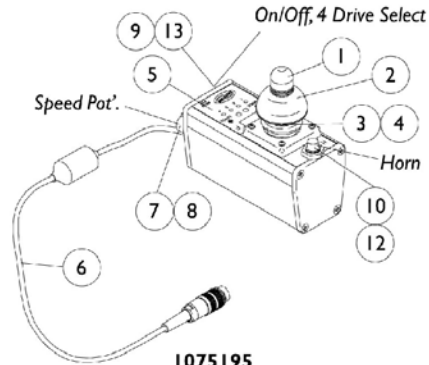
# MKIV Joystick

## PS, PSF and PSR

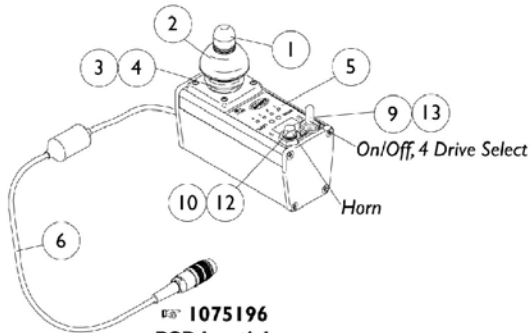
**NOTE: PSR STANDARD joystick configuration below show the on/off switch on the left side for part # 1075196. When the on/off switch is required on the right side, refer to part number 8881075196 and order as a configured part.**



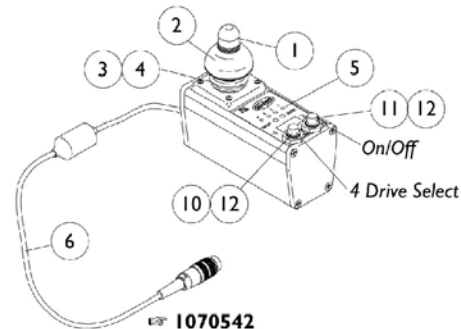
**1058468 NLA**  
**PS Joystick**  
(4/1/96 Thru 11/30/97)



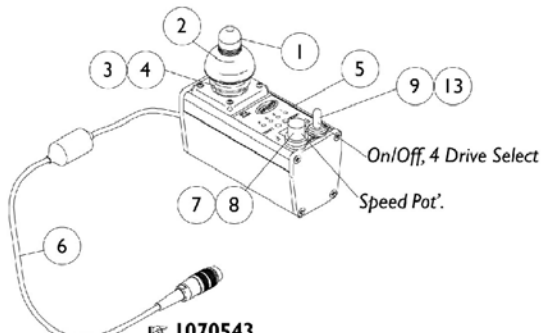
**1075195**  
**PSF Joystick**  
(12/1/97 Thru 3/31/98)



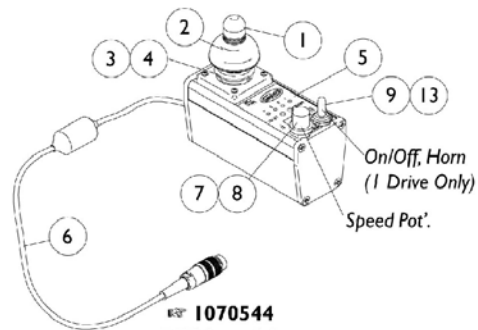
**1075196**  
**PSR Joystick**  
**ON CHAIR: STANDARD**  
(12/1/97 Thru 3/31/98)



**1070542**  
**PSR Joystick without Horn**  
**ON CHAIR: PBOD/OL**  
(12/1/97 Thru 3/31/98)



**1070543**  
**PSR Joystick without Horn**  
**ON CHAIR: RHSS/OL**  
(12/1/97 Thru 3/31/98)



**1070544**  
**PSR Joystick**  
**ON CHAIR: TOHSS/OL**  
(12/1/97 Thru 3/31/98)

**STANDARD:** This PSR joystick includes a toggle on/off combined with a drive select and a push button horn. No speed selector.

**PBOD:** This PSR joystick includes push button on/off with a push button drive select. This gives you access to the four drives, but no horn and no speed select.

**RHSS:** This PSR joystick replaces the horn with a speed selector. This allows you to deviate from having a horn to having a speed select dial, plus the drive selector to the four drives.

**TOHSS:** This PSR joystick includes a toggle on/off with horn and a speed select dial. You have access to only one drive.

**OL:** On/Off positioned on left side of the PSR joystick.

**OR:** On/Off positioned on right side of the PSR joystick.

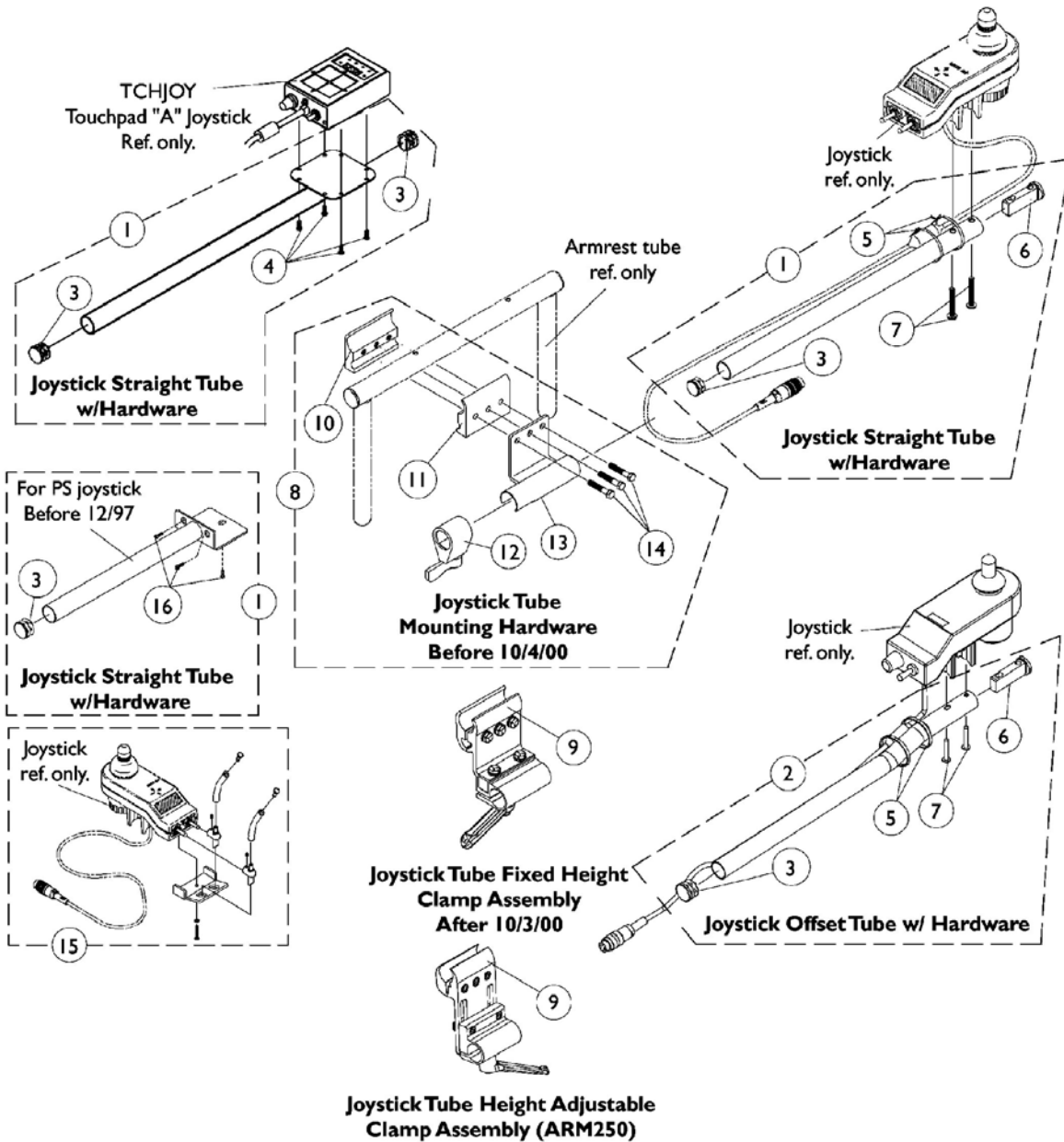
# MKIV Joystick

## PS, PSF and PSR

**NOTE: PSR STANDARD joystick configuration below show the on/off switch on the left side for part # 1075196. When the on/off switch is required on the right side, refer to part number 8881075196 and order as a configured part.**

Item Number	Description	PS 4/1/96- 11/30/97	PSF 12/1/97- 3/31/98	PSR After 11/30/97
See Pictorial	Joystick Assembly	N/A	N/A	1075196
See Pictorial	Joystick Assembly	1058468-NLA	8881075195	8881075196
See Pictorial	Joystick Assembly	N/A	N/A	1070542
See Pictorial	Joystick Assembly	N/A	N/A	1070543
See Pictorial	Joystick Assembly	N/A	N/A	1070544
1	Knob, Joystick	1040217	1040217	1040217
2	Skirt, Joystick	1040218	1040218	1040218
3	Inductive, Joystick	1036764	1036764	1036764
4	Boot, Joystick	50000X364	50000X364	50000X364
5	Overlay, Joystick Decal	1058460-NLA	1075034	1079925
6	Cable Assembly	1036750	1036750	1036750
7	Potentiometer Speed	N/A	1040225	1040225
8	Knob Potentiometer	N/A	1025516	1025516
9	Switch, On/Off Momentary	1040185	1040185	1040185
10	Switch, Push Button SPST Momentary	N/A	1010047	1010047
11	Switch, Push Button SPST	N/A	N/A	1010048
12	Boot, Switch	N/A	1010049	1010049
13	Boot, Switch	1058464	1058464	1058464

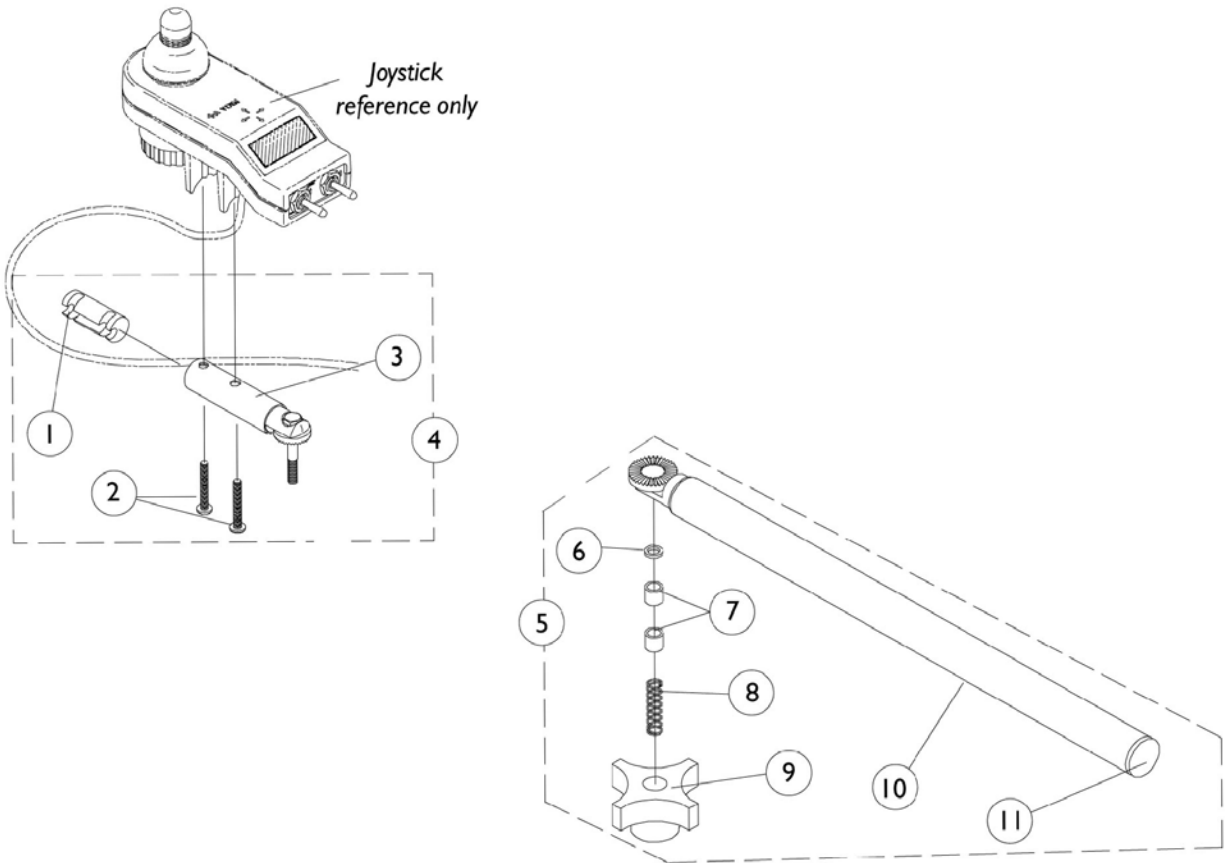
# MKIV Joystick Mounting Hardware and Joystick Accessories



## MKIV Joystick Mounting Hardware and Joystick Accessories

Item Number	Note	Part Number	Description	Quantity Per	
				Package	Assembly
1	A	1092604	Kit, Straight Joystick Tube with Hardware	1	1
1	B	1052719	Kit, Straight Joystick Tube with Hardware	1	1
1	C	1043568	Kit, Straight Joystick Tube with Hardware	1	1
2	D,D1,E	1093069	Kit, 1/2" Offset Joystick Tube with Hardware	1	1
3	F	1027095	Plug Button, Black (7/8")	1	1
4		1052041	Screw, Phillips Pan Head (#4-40 x 3/8")	1	4
5		1095502	Package, Cable Ties (11-1/2" Long)	10	1
6		1093063	Spacer, Joystick Tube	1	1
7		7930327	Screw, Phillips Pan Head (#10-32 x 1-1/8")	1	1
8	G	1049591	Hardware, Joystick Tube Mounting	1	1
9	D,D1,H	1093071	Clamp, Fixed Height Joystick Tube	1	1
9	I	1139422	Clamp, Height Adjustable Joystick Tube (ARM250)	1	1
10		1027267	Half Clamp, Threaded Holes	1	1
11		1027266	Half Clamp, Non-Threaded Holes	1	1
12		1027274	Lock, Adjustment (Black)	1	1
13		1049582	Bracket, Joystick Mounting	1	1
14		16690X004	Screw, Hex Head (1/4-20 x 1-1/8")	1	3
15		1055736	Toggle Switch Extension Kit	1	1
16		1016401	Screw, Phillips Round Head (#10-32 x 3/8")	1	3
	J	1006270	Joystick Extension - "T" Style (1560) (4" Wide x 5-1/2" Long)	1	1
	J	1006271	Joystick Extension - Straight Style (1561) (1/2" Wide x 5" Long)	1	1
<p>NOTE: A - For TCHJOY Touch Pad "A" or TCPDM4 Touch Pad Joystick and includes the joystick tube, items 3 and 4            B - For PS joystick before 12/1/97 and includes the joystick tube, items 3 and 16            C - For MKIV RII, RX, A, A+, PSF/PSR joysticks before 10/4/00 and includes the joystick tube, items 3 and 5-7            D - The joystick straight tube changed to an offset joystick tube on 10/4/00. The joystick tube mounting hardware also changed to a new fixed height clamp assembly to allow an individual to use an            D1 - adjustment lever to securely hold the joystick tube in place. The fixed height joystick tube clamp can be used as a direct replacement in the field for the joystick tube mounting hardware part number 1049591 manufactured for chairs before 10/4/00.            E - For MKIV RII, RX, A, A+, PSF/PSR joysticks after 10/3/00 and includes the offset joystick tube, items 3 and 5-7            F - The Touch Pad joystick tube takes a quantity of 2 plug buttons            G - For (PS joystick before 12/1/97), TCHJOY and MKIV RII, RX, A, A+, PSF/PSR joystick before 10/4/00 and includes items 10-14            H - For MKIV RII, RX, A, A+, PSF/PSR joystick after 10/3/00. Individual components are non-saleable            I - Can be used to replace a Fixed Height Joystick Tube Clamp in the field. Individual components are non-saleable            J - Not Shown</p>					

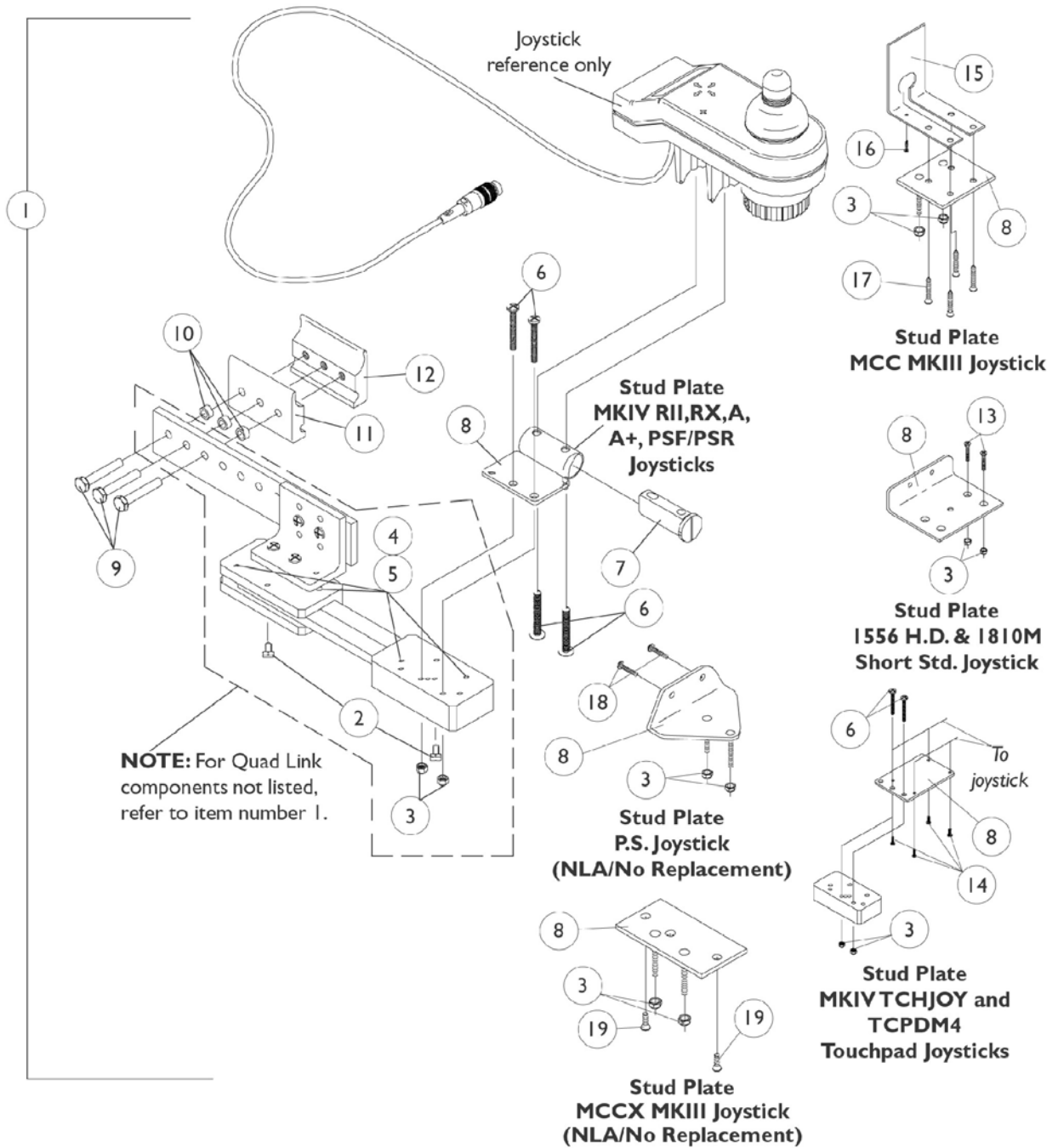
# MKIV Swivel Joystick Mount



Item Number	Note	Part Number	Description	Quantity Per	
				Package	Assembly
1		1093063	Spacer, Joystick Tube	1	1
2		7930327	Screw, Phillips Pan Head (#10-32 x 1-1/8")	25	3
3		1049962	Swivel Joystick Bracket, MKIV	1	1
4		1049963	Swivel Joystick Bracket with Hardware	1	1
5		1035986	Swivel Joystick Tube with Hardware	1	1
6		1020551	Washer, Flat (1/4 x 3/8 x 1/16")	1	1
7		1005844	Bushing	1	2
8		1002511	Spring, Hitch Bracket	1	1
9		1023670	Knob, Clamping	1	1
10		1035990	Tube, Swivel Joystick	1	1
11		1027095	Plug Button, Black (7/8")	1	1

# Quad Link Assembly

## Before 4/07/06





## Quad Link Assembly Before 4/07/06

Item Number	Note	Part Number	Description	Quantity Per	
				Package	Assembly
1	A	1027222	Kit, Quad Link Assembly - Right For MCC MKIII	1	1
2			Ball Plunger with Lock Washer Assembly	2	1
3			Locknut (#10-32)	1	2
4			Screw, Socket Head (#10-32 x 1/2")	1	4
5			Bushing, Bronze (3/16 x 1/4 x 1/4")	1	4
8			Stud Plate, Quad Link MCC MKIII	1	1
9			Screw, Hex Head (1/4-20 x 1-1/2")	1	3
10			Spacer (1/4 x 3/8 x 3/16")	1	3
11			Half Clamp, Non-Threaded Holes	1	1
12			Half Clamp, Threaded Holes	1	1
15			Cover Plate, MCC MKIII Joystick	1	1
16			Screw, Phillips Head (#4 x 3/8")	1	1
17			Screw, Phillips Flat Head (#6 x 5/8")	1	4
1	B	1052402	Kit, Quad Link Assembly - Right	1	1
2			Ball Plunger with Lock Washer Assembly	2	1
3			Locknut (#10-32)	1	2
4			Screw, Socket Head (#10-32 x 1/2")	1	4
5			Bushing, Bronze (3/16 x 1/4 x 1/4")	1	4
6			Screw, Phillips Pan Head (#10-32 x 1-1/8")	1	4
7			Spacer, Joystick Tube	1	1
8			Stud Plate, Quad Link	1	1
9			Screw, Hex Head (1/4-20 x 1-1/2")	1	3
10			Spacer (1/4 x 3/8 x 3/16")	1	3
11			Half Clamp, Non-Threaded Holes	1	1
12			Half Clamp, Threaded Holes	1	1
1	B	1115372	Kit, Quad Link Assembly - Left	1	1
2			Ball Plunger with Lock Washer Assembly	2	1
3			Locknut (#10-32)	1	2
4			Screw, Socket Head (#10-32 x 1/2")	1	4
5			Bushing, Bronze (3/16 x 1/4 x 1/4")	1	4
6			Screw, Phillips Pan Head (#10-32 x 1-1/8")	1	4
7			Spacer, Joystick Tube	1	1
8			Stud Plate, Quad Link	1	1
9			Screw, Hex Head (1/4-20 x 1-1/2")	1	3
10			Spacer (1/4 x 3/8 x 3/16")	1	3
11			Half Clamp, Non-Threaded Holes	1	1
12			Half Clamp, Threaded Holes	1	1
1	C,G	1034703-NLA	Kit, Quad Link Assembly - Right	1	1
2			Ball Plunger with Lock Washer Assembly	2	1
3			Locknut (#10-32)	1	2

## Quad Link Assembly Before 4/07/06

Item Number	Note	Part Number	Description	Quantity Per	
				Package	Assembly
4			Screw, Socket Head (#10-32 x 1/2")	1	4
5			Bushing, Bronze (3/16 x 1/4 x 1/4")	1	4
8			Stud Plate, Quad Link For 1556 Heavy Duty Joystick	1	1
9			Screw, Hex Head (1/4-20 x 1-1/2")	1	3
10			Spacer (1/4 x 3/8 x 3/16")	1	3
11			Half Clamp, Non-Threaded Holes	1	1
12			Half Clamp, Threaded Holes	1	1
13			Screw, Phillips Flat Head Countersunk (#10-32 x 1-1/8")	1	2
1	C	1114866	Kit, Quad Link Assembly - Left	1	1
2			Ball Plunger with Lock Washer Assembly	2	1
3			Locknut (#10-32)	1	2
4			Screw, Socket Head (#10-32 x 1/2")	1	4
5			Bushing, Bronze (3/16 x 1/4 x 1/4")	1	4
8			Stud Plate, Quad Link For 1556 Heavy Duty Joystick	1	1
9			Screw, Hex Head (1/4-20 x 1-1/2")	1	3
10			Spacer (1/4 x 3/8 x 3/16")	1	3
11			Half Clamp, Non-Threaded Holes	1	1
12			Half Clamp, Threaded Holes	1	1
13			Screw, Phillips Flat Head Countersunk (#10-32 x 1-1/8")	1	2
1	D	1102027	Kit, Quad Link Assembly - Right For TCHJOY/TCPDM4 Touchpad	1	1
2			Ball Plunger with Lock Washer Assembly	2	1
3			Locknut (#10-32)	1	2
4			Screw, Socket Head (#10-32 x 1/2")	1	4
5			Bushing, Bronze (3/16 x 1/4 x 1/4")	1	4
6			Screw, Phillips Pan Head (#10-32 x 1-1/8")	1	2
8			Stud Plate, Quad Link MKIV TCHJOY/TCPDM4	1	1
9			Screw, Hex Head (1/4-20 x 1-1/2")	1	3
10			Spacer (1/4 x 3/8 x 3/16")	1	3
11			Half Clamp, Non-Threaded Holes	1	1
12			Half Clamp, Threaded Holes	1	1
14			Screw, Phillips Flat Head Countersunk (#4-40 x 3/8")	1	4
1	E	1106191-NLA	Kit, Quad Link Assembly - Right For PS joystick	1	1
2			Ball Plunger with Lock Washer Assembly	2	1
3			Locknut (#10-32)	1	2
4			Screw, Socket Head (#10-32 x 1/2")	1	4
5			Bushing, Bronze (3/16 x 1/4 x 1/4")	1	4

## Quad Link Assembly Before 4/07/06

Item Number	Note	Part Number	Description	Quantity Per	
				Package	Assembly
8			Stud Plate, Quad Link	1	1
			P.S. Joystick		
9			Screw, Hex Head (1/4-20 x 1-1/2")	1	3
10			Spacer (1/4 x 3/8 x 3/16")	1	3
11			Half Clamp, Non-Threaded Holes	1	1
12			Half Clamp, Threaded Holes	1	1
18			Screw, Phillips Pan Head (#10-32 x 3/4")	1	2
1	F	1077298-NLA	Kit, Quad Link Assembly - Right For MCCX MKIII	1	1
2			Ball Plunger with Lock Washer Assembly	2	1
3			Locknut (#10-32)	1	2
4			Screw, Socket Head (#10-32 x 1/2")	1	4
5			Bushing, Bronze (3/16 x 1/4 x 1/4")	1	4
8			Stud Plate, Quad Link	1	1
9			Screw, Hex Head (1/4-20 x 1-1/2")	1	3
10			Spacer (1/4 x 3/8 x 3/16")	1	3
11			Half Clamp, Non-Threaded Holes	1	1
12			Half Clamp, Threaded Holes	1	1
19			Screw, Phillips Flat Head Countersunk (#10-32 x 1-1/8")	1	2
2		1114863	Ball Plunger with Lock Washer Assembly	2	1
<p>NOTE: A - Includes the Quad Link, items 2-5, 8-12, 15-17 and used with a MCC MKIII. For left side mounted Quad Link, order as a special.</p> <p>B - Includes the Quad Link, items 2-12 and used with MKIV RII, RX, A, A+, PSF/PSR joysticks.</p> <p>C - Includes the Quad Link, items 2-5, 8-13 and used with a 1810 STD. and 1556 Heavy Duty joystick.</p> <p>D - Includes the Quad Link, items 2-6, 8-12, 14 and used with MKIV TCHJOY/TCPDM4 joysticks. For left side mounted Quad Link, order as a special.</p> <p>E - Includes the Quad Link, items 2-5, 8-12, 18 and used with a PS joystick.</p> <p>F - Includes the Quad Link, items 2-5, 8-12, 19 and used with a MCCX MKIII joystick.</p> <p>G - Quad Link Assembly is no longer available. Please see Quad Link Assembly (After 4/06/06) category and use new Quad Link design as a replacement.</p>					

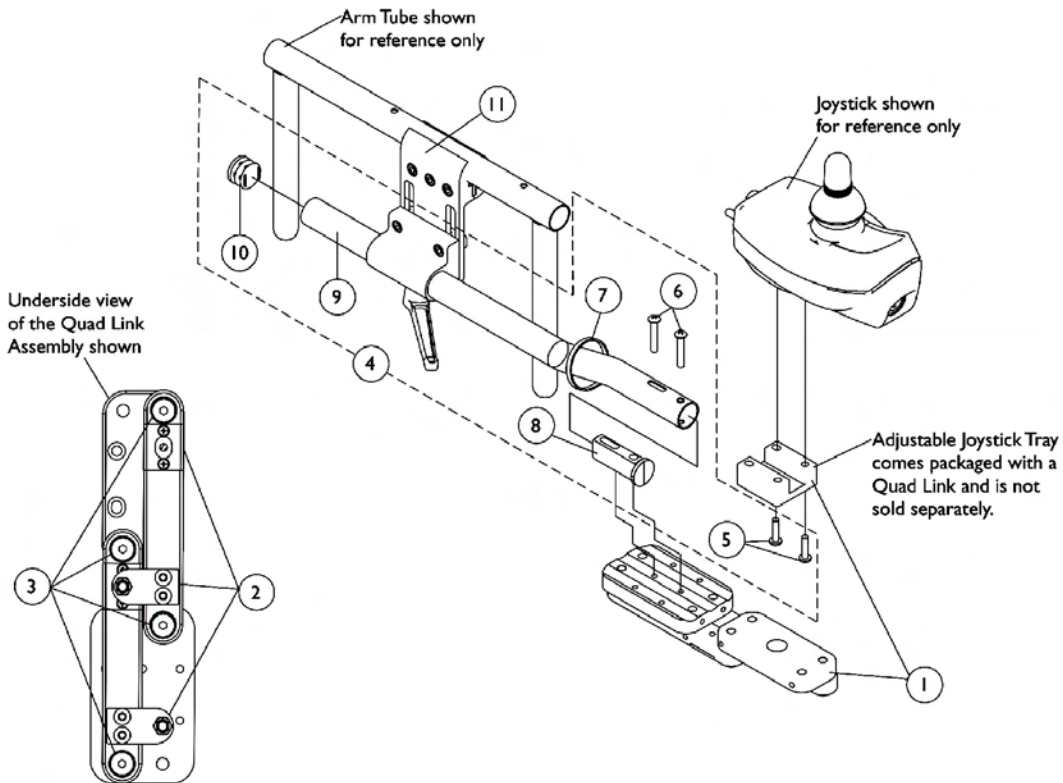
# Quad Link (QLA)

After 4/06/06

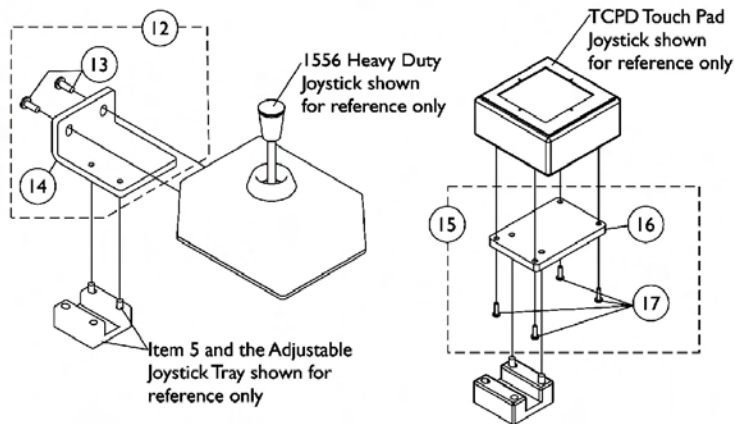
When converting an old style Quad Link that attaches to a mounting plate or (a Flex Tube or Touch Pad Joystick Tube) is currently on the chair then order the following:

Quad Link Mtg. Hdwr. (item 4), Quad Link (item 1) & Ht. Adj. Joystick Tube Clamp (item 11)

NOTE: Substitute (item 4) with 2 ea. of the PPH Screws (item 5) when an offset joystick tube is currently on the chair. Additional Joystick Mtg. Hdwr. must be ordered when a 1556 Heavy Duty or TCPD Touch Pad are used.



**Screw Fastener and Quad Link Latch Hardware**



## Quad Link (QLA) After 4/06/06

When converting an old style Quad Link that attaches to a mounting plate or (a Flex Tube or Touch Pad Joystick Tube) is currently on the chair then order the following:

Quad Link Mtg. Hdwr. (item 4), Quad Link (item 1) & Ht. Adj. Joystick Tube Clamp (item 11)

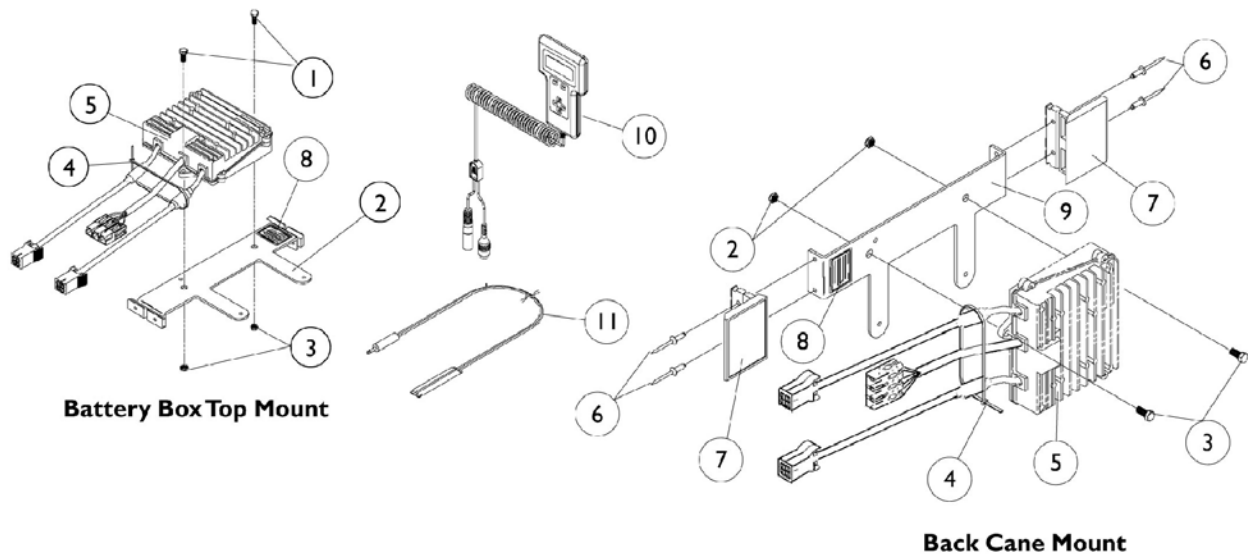
**NOTE: Substitute (item 4) with 2 ea. of the PPH Screws (item 5) when an offset joystick tube is currently on the chair. Additional Joystick Mtg. Hdwr. must be ordered when a 1556 Heavy Duty or TCPD Touch Pad are used.**

Item Number	Note	Part Number	Description	Quantity Per	
				Package	Assembly
1		1140896	Quad Link with Adjustable Joystick Tray (QLA) and Instruction Sheet - Right	1	1
1		1140897	Quad Link with Adjustable Joystick Tray (QLA) and Instruction Sheet - Left	1	1
2	A	1140425	Kit, Quad Link Latch Hardware	1	1
3	B	1140424	Kit, Quad Link Screw Fastener Hardware	1	1
4	C,C1	1139416	Kit, ASBA/ADJASBA Quad Link Mounting Hardware	1	1
5			Screw, Phillips Pan Head w/ Patch (10-32 x 3/4")	1	2
6			Screw, Phillips Pan Head (#10-32 x 1-1/8")	1	2
7			Cable Tie (11-1/2" Long)	1	1
8			Spacer, Joystick Tube	1	1
9			Tube, Joystick 1/2" Offset	1	1
10			Plug Button, Black (7/8")	1	1
5		1105414	Screw, Phillips Pan Head w/ Patch (10-32 x 3/4")	1	2
11	G	1139422	Clamp, Height Adjustable Joystick Tube (ARM250)	1	1
12	D	1139925-NLA	Kit, 1556 Heavy Duty Joystick To Quad Link Mounting Hardware	1	1
13			Screw, Phillips Pan Head (#10-32 x 1/2")	1	2
14			Plate, 1556 HD Joystick Quad Link	1	1
15	E	1139683	Kit, TCPD Touch Pad To Quad Link Mounting Hardware	1	1
16			Plate, TCPD Touch Pad Quad Link	1	1
17			Screw, Phillips Pan Head (#4-40 x 3/8")	1	4
	F	1134844	Instruction Sheet, Quad Link	1	1

NOTE: A - Latch Kit includes 4 ea. Button Head Cap Screws (10-32 x 3/8"), 2 ea. Latch Spring Assembly, 4 ea. Phillips Flat C/Sunk Head Screws, 2 ea. Spring Catch Plates, 2 ea. Socket Head Set Screws (10-32 x 3/8")  
 B - Screw Fastener Kit includes 4 ea. Socket Head Shoulder Screws (3/8 x 3/8"), 2 ea. Socket Head Cap Screws (1/4-20 x 3/8"), 2 ea. Socket Head Set Screws (1/4-20 x 1/2"), 4 ea. Socket Head Set Screws (10-32 x 1/8")  
 C - Includes items 5-10. The Quad Link Mounting Hardware accommodates MKIV RII, RX, A, A+, PSF/PSR joysticks.  
 C1 - When ordering the Quad Link for the first time, Additional hardware is required for 1556 Heavy Duty and TCPD Touch Pad joysticks. See pictorial for reference.  
 D - Includes items 13 and 14  
 E - Includes items 16 and 17  
 F - Not Shown  
 G - Individual components are non-saleable

# MKIV Controller, Programmer and Mounting Hardware

NOTE: See the MKIII Controller Mounting Hardware page for information on mounting the MKIV controller on the back canes.



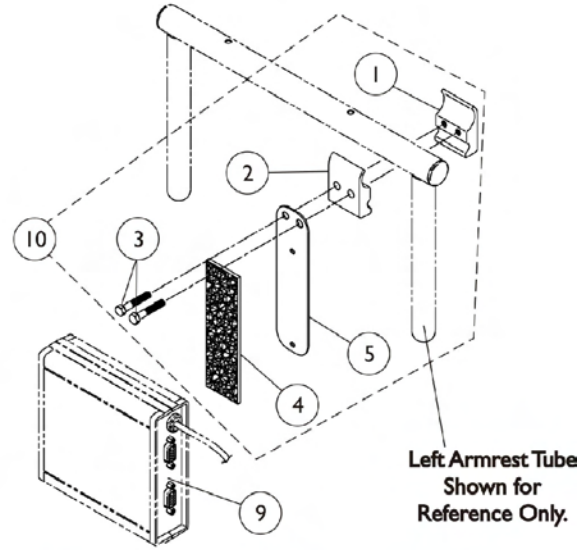
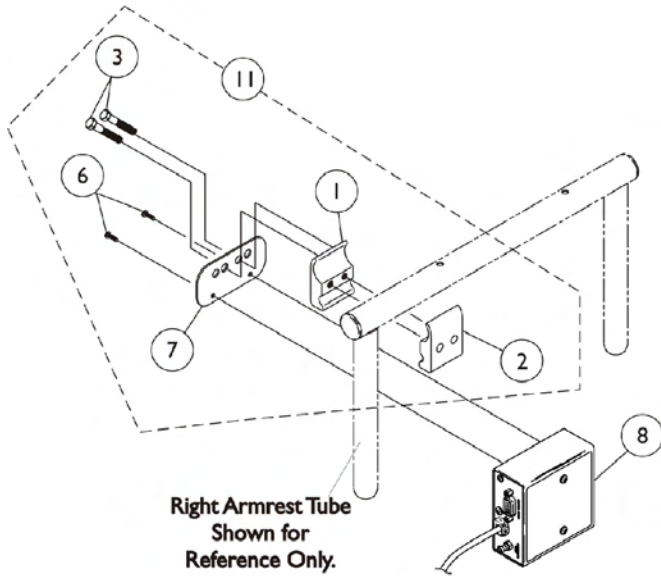
## MKIV Controller, Programmer and Mounting Hardware

Item Number	Note	Part Number	Description	Quantity Per	
				Package	Assembly
1		1039860	Screw, Hex Head Cap with Patch (5/16-18 x 3/4")	1	2
2		1037943	Controller Mounting Bracket w/Keepers	1	1
3		1026158	Locknut (5/16-18)	1	2
4		1021260	Cable Tie (5-5/8" Long)	1	1
5		1105707	Controller, MKIV Quad Pulse	1	1
5	A,G	1095269	Controller, MKIV RII Retro	1	1
6		16348X004	Rivet	1	4
7	H	50000X025	Lock Over Latch Clip	1	2
8		1013149	Label, Caution	1	1
9		1027239	Controller Mounting Bracket	1	1
10	B	1109091	Programmer, Remote	1	1
11		1020818	Switch, Red Flex Ribbon (Tape) Reset	1	1
11	I	1123276	Kit, Switch, Black Egg Reset, with Hook/Loop Adhesive Back Fastener & Attaching Screws (EGSBLK)	1	1
	C,D	1064404-NLA	Virtual Service Modem Kit	1	1
	C,E	1091631-NLA	Virtual Service Software Kit	1	1
	C,F	1046117-NLA	Printer and Interface	1	1
	C	1095204	Cable, Virtual Service Charger/Modem	1	1
	C	1091980-NLA	Disk, 3.5 H.D. Floppy with V.S. Software	1	1
	C	1091637-NLA	Adaptor, Null Modem	1	1
	C	1091636-NLA	Service Manual - V.S. Software Kit	1	1
	C	1026572-NLA	Paper, Printer	1	1
	C	1027280-NLA	Harness, Printer Wiring	1	1
	C	1092610	Joystick, RII	1	1

NOTE: A - RII retro controller after 4/30/00 and RII joystick part number 1092610 are direct replacements for joystick/controller part number 1080723.  
 B - Remote Programmer part number 1109091 with the connectors (3-pin and 5-pin) is the only programmer functionable with the new RII joystick part number 1092610.  
 C - Not Shown  
 D - Part number 1095204 is available for individual sale.  
 E - Part numbers 1095204, 1091980, 1091637, and 1091636 are available for individual sale.  
 F - Part numbers 1026572 and 1027280 are available for individual sale.  
 G - After 4/30/00  
 H - For Keeper  
 I - Not Shown. After 5/23/04 the Egg Reset Switch became available as a service part and can be used as a direct replacement for the tape reset switch part # 1020818.

# MKIV Sip-N-Puff/Digital Interface and COM12 and COM 34

4/1/96 thru 3/31/98



**SNPM4 ON CHAIR**  
**1038635 OFF CHAIR**

**COM12 And COM34 ON CHAIR**  
**1038639 And 1086241 OFF CHAIR**

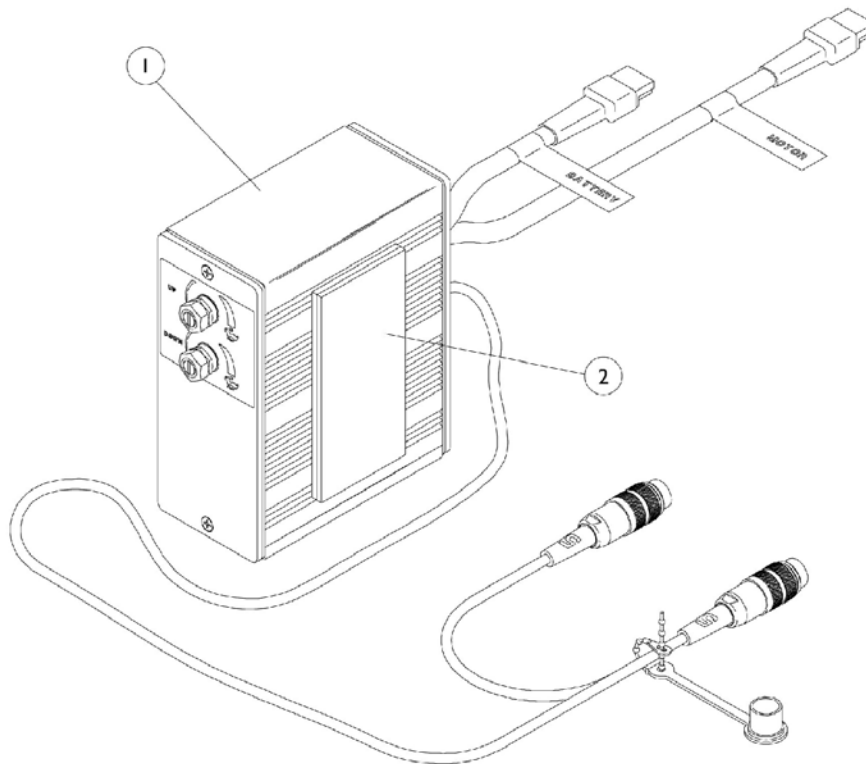
Item Number	Note	Part Number	Description	Quantity Per	
				Package	Assembly
8		1038635	Sip-N-Puff with Digital Interface	1	1
9		1038639	Communication Module, COM12/AUX12	1	1
9		1086241	Communication Module, COM34/AUX34	1	1
10	A	1049592	Kit, COM12/AUX12 and COM34/AUX34 Mounting Hardware	1	1
1			Half Clamp, Threaded Holes	1	1
2			Half Clamp, Non-Threaded Holes	1	1
3			Screw, Hex Head (1/4-20 x 1-1/8")	1	2
4			Fastener, Dual Lock Hook and Loop Adhesive (2" W x 12" L)	1	1
5			Mounting Plate, COM12/AUX12 and COM34/AUX34	1	1
11	B	1049593	Kit, SNP/DI, MK5 SAC, 4WSB, S4WSB, GTAM, AUX12M6, AUX34M6 Mtg. Hdw.	1	1
1			Half Clamp, Threaded Holes	1	1
2			Half Clamp, Non-Threaded Holes	1	1
3			Screw, Hex Head (1/4-20 x 1-1/8")	1	2
6			Screw, Phillips Pan Head (#4-40 x 3/8")	1	2
7			Plate, Mounting	1	1

NOTE: A - Mounting hardware includes items 1-5. Item 4 that is packaged with the kit will only be a 4" long "loop" fastener. Hook and Loop Fastener replaced the screws shown when the holes were removed from the communication module 7/1/97  
 B - Includes items 1-3 and 6-7



# MKIV Recliner Control and Recliner Cable

4/1/96 Thru 3/31/98

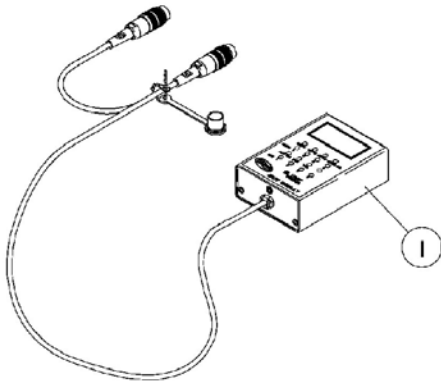


Item Number	Note	Part Number	Description	Quantity Per	
				Package	Assembly
1		1054376	Control, Recliner	1	1
2		1095501	Fastener, Dual Lock Hook and Loop Adhesive (2" W x 12" L)	1	1
	A	1005151	Cable, Recliner	1	1

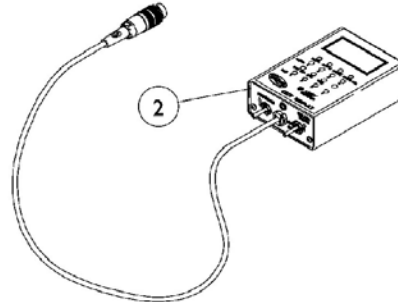
NOTE: A - Not Shown

# MKIV Displays

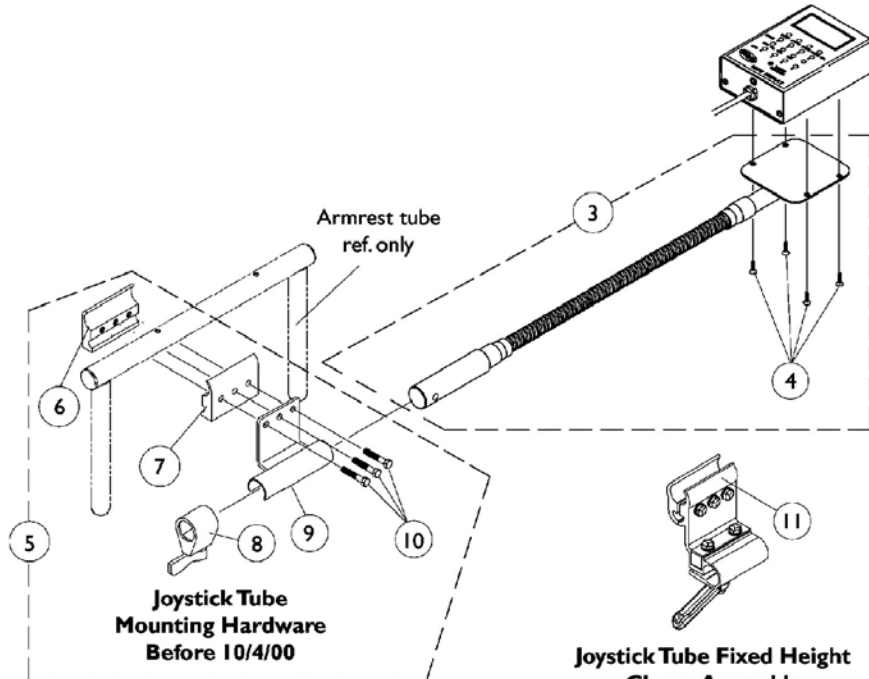
4/1/96 Thru 3/31/98



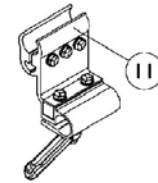
**I108490**  
Display without  
switches



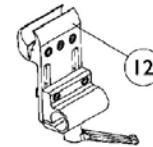
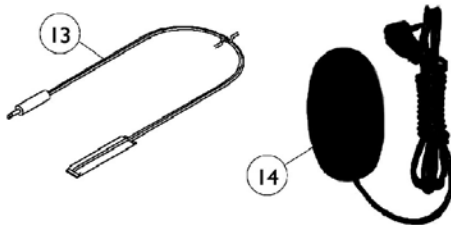
**I108489**  
Display with switches



**Joystick Tube  
Mounting Hardware  
Before 10/4/00**



**Joystick Tube Fixed Height  
Clamp Assembly  
After 10/3/00**



**Joystick Tube Height Adjustable  
Clamp Assembly (ARM250)**

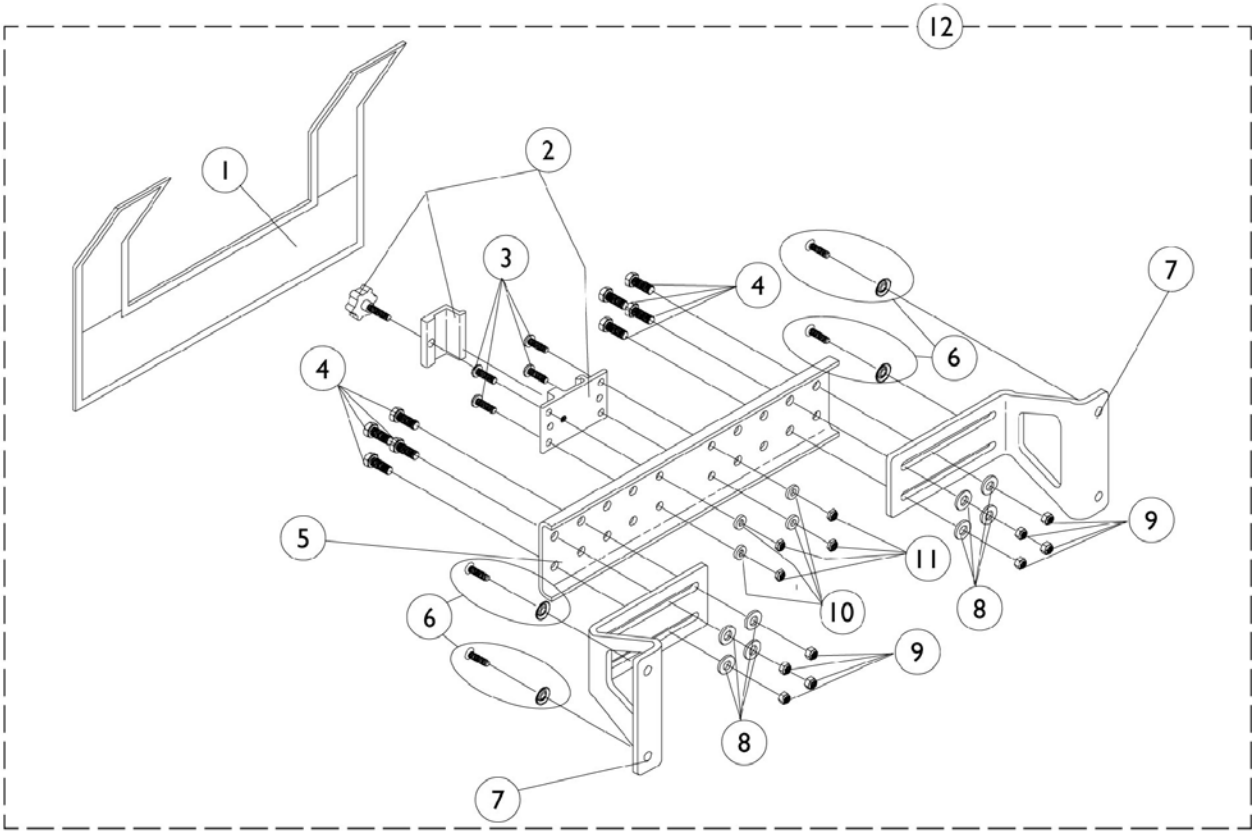
## MKIV Displays

### 4/1/96 Thru 3/31/98

Item Number	Note	Part Number	Description	Quantity Per	
				Package	Assembly
1		1108490	Display without Switches	1	1
2		1108489	Display with Switches	1	1
3	A	1049594	Flex Tube with Screws	1	1
4		1052041	Screw, Phillips Pan Head (#4-40 x 3/8")	1	4
5	B	1049591	Hardware, Joystick Tube Mounting	1	1
6		1027267	Half Clamp, Threaded Holes	1	1
7		1027266	Half Clamp, Non-Threaded Holes	1	1
8		1027274	Lock, Adjustment (Black)	1	1
9		1049582	Bracket, Joystick Mounting	1	1
10		16690X004	Screw, Hex Head (1/4-20 x 1-1/8")	1	3
11	C	1093071	Clamp, Fixed Height Joystick Tube	1	1
12	F	1139422	Clamp, Height Adjustable Joystick Tube (ARM250)	1	1
13	D	1020818	Switch, Red Flex Ribbon (Tape) Reset	1	1
14	E	1123276	Kit, Switch, Black Egg Reset, with Hook/Loop Adhesive Back Fastener & Attaching Screws (EGSBLK)	1	1

NOTE: A - Includes the Flex Tube and item 4  
 B - Before 10/4/00 and includes items 6-10  
 C - After 10/3/00 and can be used as a direct replacement for the Joystick Tube Mounting Hardware part number 1049591 in the field  
 D - Before 5/24/04  
 E - After 5/23/04 the Egg Reset Switch replaced the Red Flex Ribbon (Tape) Reset Switch  
 F - Can be used to replace a Fixed Height Joystick Tube Clamp in the field. Individual components are non-saleable

# MKIV R.I.M. Head Control Mounting Hardware (1500M4) 4/1/96 Thru 3/31/98



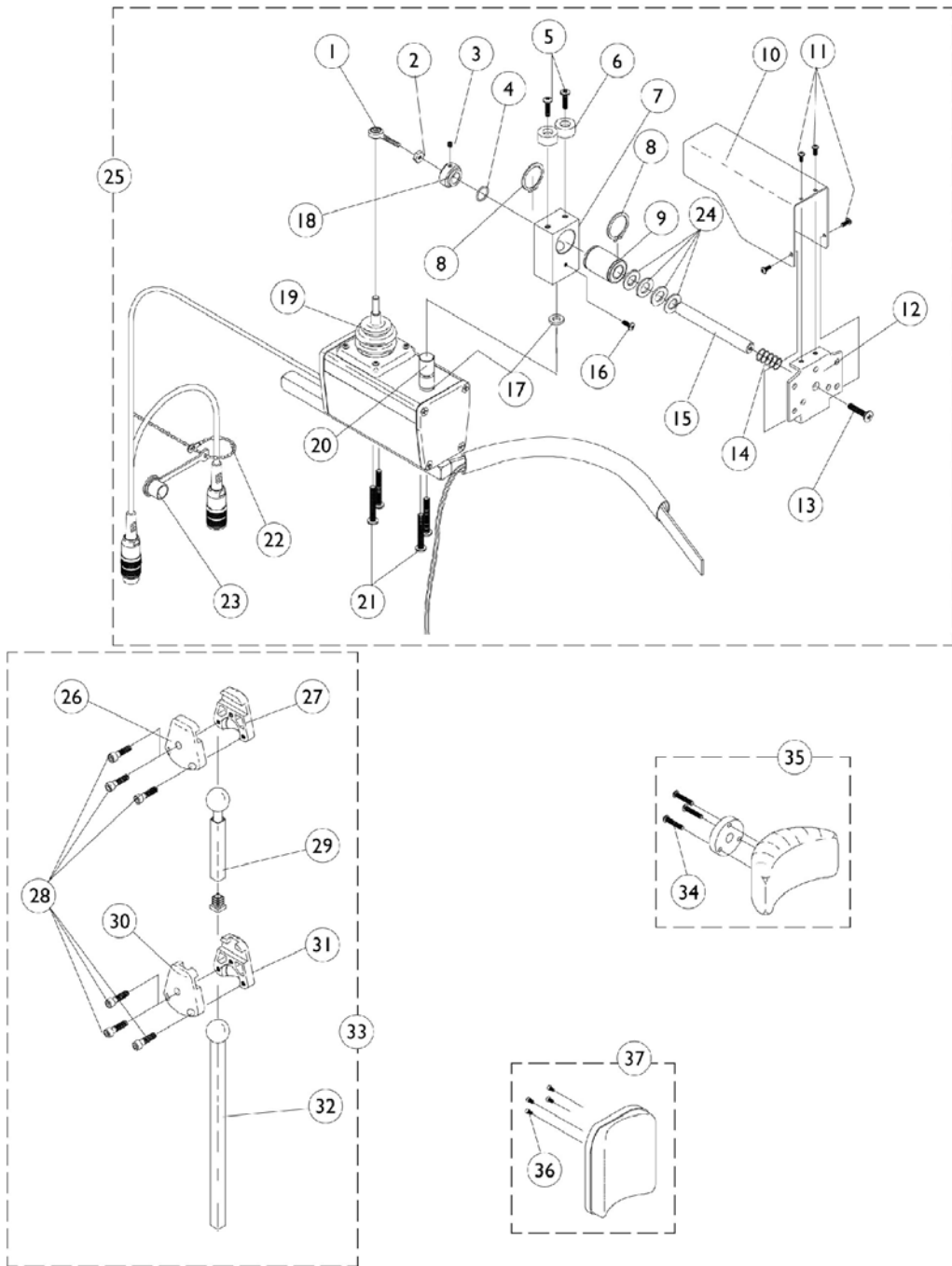
## MKIV R.I.M. Head Control Mounting Hardware (1500M4) 4/1/96 Thru 3/31/98

Item Number	Note	Part Number	Description	Quantity Per	
				Package	Assembly
1	A	1055149	Nylon Cover	1	1
1	B	1055151	Nylon Cover	1	1
2		1055148	Clamp with Knob, Two-Piece	1	1
3		1003645	Screw, Socket Button Head (#10-32 x 3/4")	1	4
4		7930326	Screw, Hex Head (1/4-20 x 3/4")	25	8
5	A	1054931	Bracket, Attaching - 12-18" Wide	1	1
5	B	1054933	Bracket, Attaching - 19-24" Wide	1	1
6		1031095	Screws with Washers (#10-16 x 7/8")	4	1
6		1076284	Screw w/ washer (#10 x 7/8")	1	4
7		1054929	Bracket, Wing	1	2
8		1026907	Washer (1/4 x 1/2 x 1/16")	1	8
9		7930333	Locknut (1/4-20)	25	8
10		1026034	Washer, Nylon (3/16 x 7/16 x 1/8")	1	4
11		7930332	Locknut, High Profile (#10-32)	25	4
12	A	1056347	Rim Control Mounting Hardware (RIMHW) - 12-18" Wide	1	1
12	B	1056348	Rim Control Mounting Hardware (RIMHW) - 19-24" Wide	1	1

NOTE: A - 12-18" Wide  
B - 19-24" Wide

# MKIV R.I.M. Head Control Assembly (1500M4)

4/1/96 Thru 3/31/98



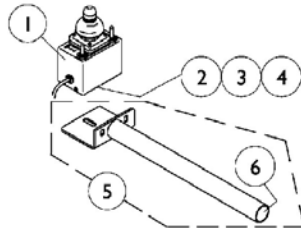
# MKIV R.I.M. Head Control Assembly (1500M4)

4/1/96 Thru 3/31/98

Item Number	Note	Part Number	Description	Quantity Per	
				Package	Assembly
1		1001625	Tie Rod End	1	1
2		48095X000	Locknut (#10-32)	1	1
3		1025275	Set Screw with Nylock (#8-32 x 1/4")	1	1
4		2001139	O-Ring (1/2" I.D.)	1	1
5		1028529	Screw, Phillips Pan Head (#8-32 x 3/8")	1	2
6		1055002	Washer, Nylon	1	2
7		1056206	Block, Pivot	1	1
8		1054939	Snap Ring	1	2
9		1018113	Linear Bearing	1	1
10		1055014	Shield, Push Rod	1	1
11		7930318	Screw, Phillips Pan Head (#4-40 x 1/2")	25	4
12		1055031	Bracket, Headrest Mounting	1	1
13		40127X002	Screw, Phillips Oval Head (#10-32 x 3/4")	1	1
14		1055145	Spring, Compression	1	1
15		1055016	Push Rod	1	1
16		1026728	Screw, Phillips Pan Head (#6-32 x 1/4")	1	1
17		1010398	Washer, Nylon (1/4 x 1/2 x 1/16")	1	2
18		1025236	Collar, Shoulder	1	1
19		50000X364	Joystick, Boot	1	1
20		1055017	Rod Pivot	1	1
21		11008X014	Screw, Phillips Round Head (#10-32 x 1")	1	1
22		1038256	Wire Tie	1	1
23		1037373	Cover, Splash	1	1
24		1003766	Washer, Plain (1/2 x 1 x 1/8")	1	4
25		1056210	Joystick, Remote Head	1	1
26		1055023	Clamp, Horizontal Pivot	1	1
27		1055024	Clamp, Threaded, Horizontal Pivot	1	1
28		1055144	Screw, Socket Head (M6 x 25)	1	6
29		1055028	Slide Tube, Square, -Short	1	1
30		1055025	Clamp, Vertical Pivot	1	1
31		1055026	Clamp, Threaded, Vertical Pivot	1	1
32		1055027	Slide Tube, Square, -Long	1	1
33		1056213	Hardware, Adjustment	1	1
34		1005383	Screw, Socket Button Head (#10-32 x 1")	1	3
35		1056211	Headrest with Hardware, -Small (Otto Bock)	1	1
36		1005310	Screw, Socket Head (#10-32 x 3/8")	1	4
37		1056212	Headrest with Hardware, - Large (La Bac)	1	1

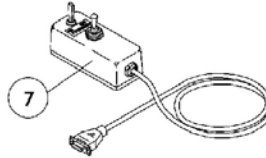
# MKIV Joystick Options

## REMOTE JOYSTICK



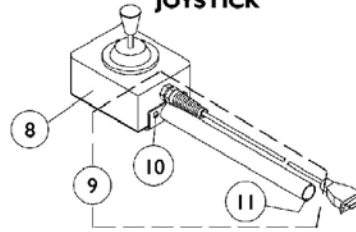
ON CHAIR: 1555M4  
 OFF CHAIR: 1038634  
 Used with display w/o switches  
 1108490

## ATTENDANT CONTROL JOYSTICK



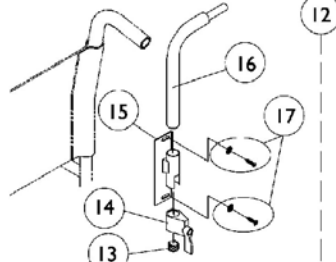
ON CHAIR: 1552M4  
 OFF CHAIR: 1025590

## HEAVY DUTY JOYSTICK



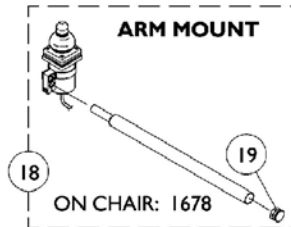
ON CHAIR: 1556M4  
 OFF CHAIR: 1041544  
 Used with display w/ switches  
 1108489

## REAR CANE MOUNT



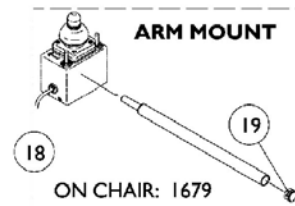
ON CHAIR: 1673

## ARM MOUNT



ON CHAIR: 1678

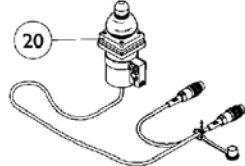
## ARM MOUNT



ON CHAIR: 1679

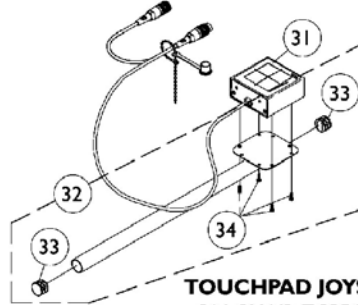
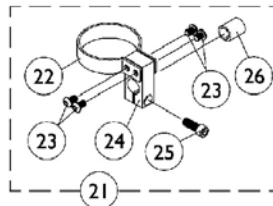
**NOTE:** Arm mounting tube shown above and additional arm mounting hardware are shipped when the On-Chair model number 1678 or 1679 is ordered.

## DUAL/COMPACT JOYSTICK W/ MTG. HARDWARE



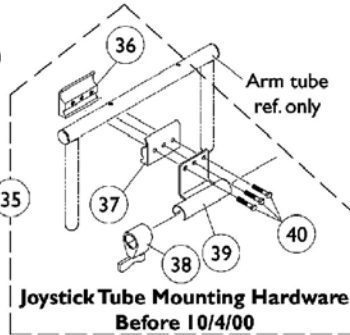
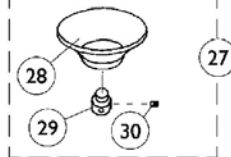
ON CHAIR: 1812M4/1558M4  
 OFF CHAIR: 1038638

## DUAL/COMPACT JOYSTICK MOUNTING HARDWARE

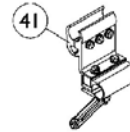


## TOUCHPAD JOYSTICK

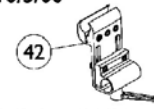
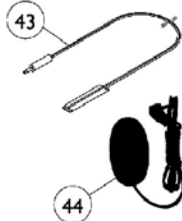
ON CHAIR: TCPDM4  
 OFF CHAIR: 1091353  
 Used with display w/ switches  
 1108489



Joystick Tube Mounting Hardware  
 Before 10/4/00



Joystick Tube Fixed Height  
 Clamp Assembly  
 After 10/3/00



Joystick Tube Height Adjustable  
 Clamp Assembly (ARM250)

⊗ Reset Switch may be required.



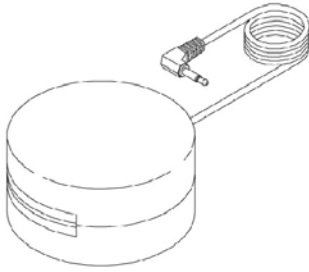
## MKIV Joystick Options

Item Number	Note	Part Number	Description	Quantity Per	
				Package	Assembly
1		1038634	Joystick, Remote	1	1
2		1010848	Clamp, Universal Swivel	1	1
3		12595X000	Lock Handle	1	1
4		40204X000	Nut, Hex (1/4-20)	1	1
5		1044928	Joystick Tube with Plug Button	1	1
6		1027095	Plug Button, Black (7/8")	1	1
7		1025590	Joystick, Attendant Control (1552M)	1	1
8		1041544-NLA	Joystick, Heavy Duty	1	1
9	A	1052719	Kit, Straight Joystick Tube with Hardware	1	1
10		1016401	Screw, Phillips Round Head (#10-32 x 3/8")	1	3
11		1027095	Plug Button, Black (7/8")	1	1
12	B	1044917	Hardware, Rear Cane Mount (1673/RCM)	1	1
13		1027095	Plug Button, Black (7/8")	1	1
14		1027274	Lock, Adjustment (Black)	1	1
15		1025245	Bracket, Upright -Right	1	1
16		1044918	Joystick Tube	1	1
17		1076284	Screw w/ washer (#10 x 7/8")	2	1
18	C	1052309	Arm Mount Tube with Plug Button	1	1
19		1027095	Plug Button, Black (7/8")	1	1
20		1038638	Joystick, MKIV Dual/Compact	1	1
21	D	1108012	Hardware, Dual/Compact Joystick Clamp Mounting	1	1
22		1025048	Clamp	1	1
23		1021460	Screw, Socket Button Head (#10-32 x 5/16")	1	4
24		1025045	Clamp, Mounting	1	1
25		1027089	Screw, Socket Head Cap (#10-24 x 1/2")	1	1
26		1026273	Spacer, Split (3/8" I.D.)	1	1
27	E	1020392	Chin Cup Assembly (1826)	1	1
28		1017545	Chin Cup	1	1
29		1017612	Screw, Adaptor	1	1
30		90032X000	Screw, Socket Set (#8-32 x 1/4")	1	2
31		1091353	Touchpad, Joystick Assembly	1	1
32	F	1092604	Kit, Straight Joystick Tube with Hardware	1	1
33		1027095	Plug Button, Black (7/8")	1	2
34		1052041	Screw, Phillips Pan Head (#4-40 x 3/8")	1	4
35	G	1049591	Hardware, Joystick Tube Mounting	1	1
36		1027267	Half Clamp, Threaded Holes	1	1
37		1027266	Half Clamp, Non-Threaded Holes	1	1
38		1027274	Lock, Adjustment (Black)	1	1
39		1049582	Bracket, Joystick Mounting	1	1
40		16690X004	Screw, Hex Head (1/4-20 x 1-1/8")	1	3
41	H	1093071	Clamp, Fixed Height Joystick Tube	1	1
42	I	1139422	Clamp, Height Adjustable Joystick Tube (ARM250)	1	1
43	J	1020818	Switch, Red Flex Ribbon (Tape) Reset	1	1

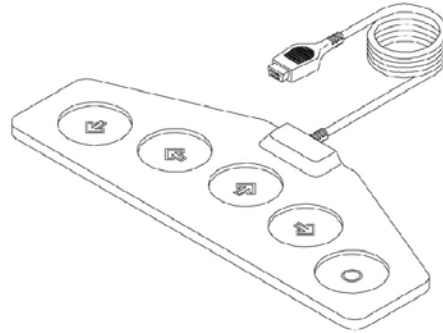
## MKIV Joystick Options

Item Number	Note	Part Number	Description	Quantity Per	
				Package	Assembly
44	K	1123276	Kit, Switch, Black Egg Reset, with Hook/Loop Adhesive Back Fastener & Attaching Screws (EGSBLK)	1	1
	L	1108489	Display with Switches	1	1
	M	1108490	Display without Switches	1	1
<p>NOTE: A - Includes the joystick tube and items 10 and 11            B - Includes items 13-17            C - For On-Chair model numbers 1678 and 1679. Includes the joystick tube and item 19            D - Includes items 22-26            E - Includes items 28-30            F - Includes the joystick tube, items 33 and 34            G - Before 10/4/00 and includes items 36-40            H - After 10/3/00. Individual components are non-saleable. Can be used as a direct replacement in the field for the Joystick Tube Mounting Hardware part number 1049591.            I - Can be used to replace a Fixed Height Joystick Tube Clamp in the field. Individual components are non-saleable            J - Before 5/24/04            K - After 5/23/04. The Egg Reset Switch replaced the Red Flex Ribbon (Tape) Reset Switch            L - Not Shown and used with the Heavy Duty and Touch Pad Joystick            M - Not Shown and used with the Remote Joystick</p>					

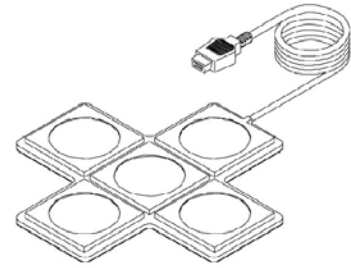
# Tash and Therafin Accessories



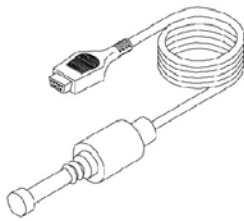
**P5820 - Red Soft Switch**  
**P5821 - Green Soft Switch**



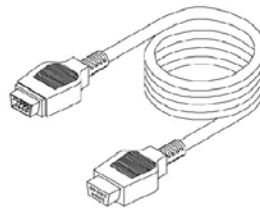
**⊕ P5018 - Wafer Board**



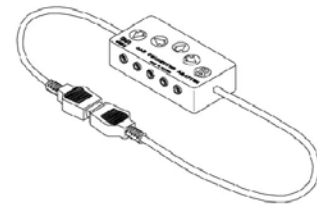
**⊕ P5026 - Star Control**



**⊕ P5020 - Mini Joystick with Push**



**P4337 - Multi-Ability Cable**



**P4353 - CA5 Multi-Connector Box**

**⊕ Must be used with 1551M (1030110) MKIII display w/ switches or MKIV display w/ switches part number (1108489). Verify the type of electronics before ordering.**



**P5970 - "U" Clamp**

# Tash and Therafin Accessories

## Therafin (Not Shown)

Item Number	Note	Part Number	Description	Quantity Per	
				Package	Assembly
		1142362	Bib Assembly (PKG32669)	1	1
		P21456	Adaptor Clamp - Tash	1	1
		P21457	Adaptor Clamp - Invacare	1	1
		P21460	Midline Swingway System	1	1
		1140824	Sip-N-Puff, 16" Fixed (PKG32666) Includes: 3 Air Tube Straws, 2 Saliva Traps, Tubing, Pivot Shaft/Flexible Metal Gooseneck Assembly, and Extruded Figure "8" Clamp to fit 7/8" Wheelchair Frame Tubing. Extruded Back Cane Adapter Clamp also included.	1	1
	C	P5820	Switch, Red Soft	1	1
	C	P5821	Switch, Green Soft	1	1
	A,C	P5018	Wafer Board (5018)	1	1
	A,C	P5026	Star Control	1	1
	A,C	P5020	Mini Joystick with Push (5020)	1	1
	C	P4337	Multi-Ability Cable	1	1
	C	P4353	CA5 Multi-Connector Box	1	1
	C	P5970	"U" Clamp	1	1
	B	1030110-NLA	Display with Switches and Flextube, MK III	1	1
	B	1108489	Display with Switches	1	1
<p>NOTE: A - Must be used with 1551M (1030110) MKIII display with switches or MKIV display with switches part number 1108489. Verify the type of electronics before ordering. B - Not Shown C - See Pictorial</p> <p>NOTE: For more information on Tash and Therafin products, please contact one of our Rehab Specialists.</p>					

# Power Wheelchair Tool Kit

1



**Multimeter with Leads**



**Grounding Wire**



**1" Test Leads**



**Protractor/Angle Locator**



**Invacare Pen Light**



**Invacare Tape Measure**



**Invacare Phillips/Flat Head Screwdriver**



**MKIV Programmer**



**Virtual Service Charger Cable**

# Power Wheelchair Tool Kit

Item Number	Note	Part Number	Description	Quantity Per	
				Package	Assembly
1		1125222	Kit, Power Wheelchair Tool Includes: 1 ea. Multimeter with Leads 1 ea. Locator, Protractor/Angle Magnetic Base 1 ea. Instructions, MKIV Programmer 1 ea. Wire, Grounding with Hand Strap and Clip 1 ea. Leads, 1" Test 1 ea. Light, Pen with Invacare Logo 1 ea. Tape Measure, Compact with Invacare Logo 1 ea. Screwdriver, Pen-Size Phillips/Flat Head 1 ea. Cable, Virtual Service Charger/Modem	1	1

# Miscellaneous Accessories

## Positioning Straps

Description	14-18" Wide Chairs	20-22" Wide Chairs	23-24" Wide Chairs
Auto Style Push Button	1034625.	1034752	1034753
Airline Style	1004310	1034625	1034622
Hook and Loop (Chest Only)	1034744	1034745	N/A

Description	14"-15" Wide Chairs	16"-18" Wide Chairs	19"-22" Wide Chairs
H-Strap	1032003	1032002	1032001

## Upholstered Support Panel

Description	14" - 16" Wide Chairs	17" - 19" Wide Chairs	20" - 22" Wide Chairs
Footrest	8881006725	8881006726	8881006727
Legrest	8881035816	8881035817	8881035818

NOTE: Specify upholstery color when ordering.

## Miscellaneous Accessories

Item Number	Note	Part Number	Description	Quantity Per	
				Package	Assembly
		1034206	Non-Removable Device (1820)	1	1
	A	1032003	"H" Heel Strap	1	1
		40176X010	Tire Pump	1	1
	B	See Chart	H-Strap	1	1
	B	See Chart	Miscellaneous Accessories	1	1
	B	See Chart	Support Panel, Upholstered	1	1
NOTE: A - Calf Strap, All Widths B - Not Shown					



Invacare Corporation

[www.invacare.com](http://www.invacare.com)



Yes, you can.™

One Invacare Way  
Elyria, Oh USA  
44036-2125  
800-333-6900

Technical Support  
800-832-4707  
Florida Technical Support  
407-321-5630

Customer Service  
800-333-6900

©2008 Invacare Corporation. Elyria, Ohio. All rights reserved. Trademarks are identified by the symbols™ and®. All trademarks are owned by or licensed to Invacare Corporation unless otherwise noted. Otto Bock is a registered trademark of Otto Bock Orthopaedische Industrie GMBH & Co.. Tash is a registered trademark of Tash International Inc.. Therafin is a registered trademark of W/R/ Medical Electronics Co.. Bussman is a registered trademark of Cooper Industries. Dynamic is a registered trademark of Dynamic Controls Limited. (Revised 5/28/08)

Form No. 94-108