

TDX® SI
Powered Wheelchair



Parts Catalog Usage Guide

The information contained in this document is subject to change without notice. This catalog contains service parts for Form No. 08-080. If you have any questions regarding this catalog, please contact one of our Customer Service Representatives.

For Customer Service Support Call:

1-800-333-6900

For Faxed In Orders Call:

1-800-678-4682 or

1-440-366-0709

For Technical Service Call:

1-800-832-4707

Literature Can Be Found at:

www.invacare.com or

1-800-828-6272

SYMBOL DEFINITION

Throughout this catalog you will notice letters to draw your attention to specific footnotes which are located at the bottom of the page or below specified charts.

Examples:

A,B,C etc. = Special Comments

NOTE: = General information pertaining to that specific page

NLA = No Longer Available

HARDWARE MEASUREMENTS

The measurements for the hardware will be listed as follows:

Screws, Bolts Diameter X Thread Count/Pitch X Length

Washers Inside Diameter X Outside Diameter X Thickness

Spacers Inside Diameter X Outside Diameter X Length

For your convenience, we have supplied an area for you to list your Invacare Representatives.

Name	Phone Numbers

©2009 Invacare Corporation. Elyria, Ohio. Invacare, Yes, you can., the Blue Medallion Design, SureStep, TDX are registered trademarks and MK6i, SPJ, MPJ, are trademarks of Invacare Corporation.

Otto Bock is a registered trademark of Otto Bock Orthopaedische Industrie GMBH & Co.. Tash is a registered trademark of Tash International Inc.. Therafin is a registered trademark of

W/R/ Medical Electronics Co.. Bussman is a registered trademark of Cooper Industries. MIDI is a registered trademark of Littelfuse Inc.. Dynamic is a registered trademark of Dynamic Controls Limited.

TABLE of CONTENTS

Description	Page Number
A: READ THIS FIRST (THIS CATALOG IS DIFFERENT!)	6
Accessories, Miscellaneous	147
Accessories, Oxygen Holder Assembly Kit - ADJASBA Seats	143
Accessories, Oxygen Holder Assembly Kit - Van Seat	145
Arms, "T" and Hardware	84
Arms, Adjustable Height (16-24" W x 16-22" D) Seat Frames	80
Arms, Adjustable Height, ADJASBA Seats (12-16" W x 12-18" D)	76
Arms, Fixed Height (16-22" W x 16-22" D) Seat Frames	78
Arms, Mounting Swingaway Hardware, ADJASBA/ADJRECL Seats	86
Arms, Mtg. Front/Rear Arm Sckt Asbly. and Hdwr ADJASBA Seats with TRRO Option (16-22" W)	92
Arms, Mtg. Front/Rear Arm Socket Asbly. & Hdwr. (12-16" W)	88
Arms, Mtg. Front/Rear Arm Socket Assembly and Hdwr - ADJASBA/ADJRECL Seats (16-22" W)	90
Arms, Van Seat	82
Back Cane Attaching Hardware, ADJASBA Seats (16-24" W)	72
Back Cane Attaching Hardware, ADJASBA Seats with TRRO Option (12-16" W x 12-18" D) .	67
Back Cane Attaching Hardware, ADJASBA Seats with TRRO Option (16-22" W)	74
Back Cane Attaching Hardware, ADJASBA Seats without TRRO Option (12-16" W)	65
Back Canes and Spreader Bars, ADJASBA Seats (12-16" W)	63
Back Canes and Spreader Bars, ADJASBA Seats (16-22" W)	69
Back, Contoura Mounting Hardware, ADJASBA Only	53
Back, Contoura without Mounting Hardware, ADJASBA Only	51

TABLE of CONTENTS

Description	Page Number
Back, Recliner Assembly, ADJRECL Seat Frames	55
Battery Box Hardware	15
Battery Box Tie-Down Bracket Mounting Hardware For TRRO/TRBKTS Option	13
Battery Charger and Cables	19
Battery Tray Assembly and Wire Harnesses	17
Caster and Forks, 6" Front and Rear	33
Cylinder	22
Electronics - MK6i ~PLEASE READ THIS SECTION~	142
Fender Assembly	26
Frame Finishes, Touch-Up Paints and Upholstery Options	7
Frame, Seat ADJASBA Mounting Hardware (12-16" W)	41
Frame, Seat ADJASBA Mounting Hardware (16-22" W)	43
Frame, Seat ADJASBA, Seat Pan and Hardware (12-16" W x 12-18" D)	37
Frame, Seat ADJASBA/ADJRECL, Seat Pan and Hardware (16-20" W x 16-22" D)	39
Frame, Van Seat and Hardware	45
Front Rigging - 90FB Flip-Up Removable Footboard Assembly	126
Front Rigging - Adjustable Angle Footplates - AT5543	119
Front Rigging - Calf Pads and Attaching Hardware	113
Front Rigging - Center Mount Rigging (CTMT-F with FBCTMT One PC Flip-Up Footboard) ..	132
Front Rigging - Center Mount Rigging (CTMT-F)	130
Front Rigging - Center Mount Rigging (CTMT-FJ)	128

TABLE of CONTENTS

Description	Page Number
Front Rigging - Center Mount Rigging KIT (CTMT-F/CTMT-FJ)	140
Front Rigging - Center Mount Rigging Mtg. Hdw., (CTMT-F/CTMT-FJ) (12-16" W)	134
Front Rigging - Center Mount Rigging Mtg. Hdw., (CTMT-F/CTMT-FJ) (16-22" W)	136
Front Rigging - Center Mount Rigging Mtg. Hdw., (CTMT-F/CTMT-FJ) Van Seat	138
Front Rigging - Footrest and Legrest Accessories	122
Front Rigging - Footrest Support Assemblies (Sector Style)	104
Front Rigging - Footrest Supports - (Hemi) - PHW93	106
Front Rigging - Front Rigging Hanger Hardware For Van Seat	102
Front Rigging - Hanger and Hardware, Pin and Sector Style ADJASBA/ADJRECL (16-22" W)	100
Front Rigging - Hanger Hardware, Pin/Sector Style ADJASBA (12-16" W)	98
Front Rigging - Legrest Supports - AT5544	108
Front Rigging - Legrest Supports, Articulating (Hemi) - PHAL4A	110
Front Rigging - Pivot/Slide Tube and 1650, 1350 Aluminum Footplates	117
Front Rigging - Pivot/Slide Tube and 1651 Composite Footplates	115
Front Rigging - Reference Chart - 70STAPER	97
Front Rigging - Reference Chart - AT5544, 70NHD, PHW93	94
Front Rigging - Reference Chart - PHAL4A	96
Label Locations For TRRO and TRBKTS Options	11
Motor Assembly and Mounting Hardware	24
Packaging, Literature and Decals	9
Pivot Assembly and Mounting Hardware - Rear	31

TABLE of CONTENTS

Description	Page Number
Seat Cushion Assembly, Contoura, ADJASBA Only	50
Shrouds and Hardware	29
TRRO and TRBKTS Option Clarification Reference	12
Upholstery, Back, Non-Recliner - Nylon	58
Upholstery, Back, Recliner - Nylon	60
Upholstery, Headrest and Pillows	62
Van Seat Assembly	47
Walking Beam and Mounting Hardware	20
Wheel Lock Assembly	27
Wheels, Drive Wheels and Mounting Hardware (14" x 3")	35

A: READ THIS FIRST (THIS CATALOG IS DIFFERENT!)

TDX SI

parts catalog information is now divided into two separate catalogs.

The Form Numbers and Cover Titles are listed below.

Form # 08-080

TDX SI

Powered Wheelchair

Form # 06-110

MK6i Electronics

(MK6i was introduced on or about 10/9/06)

Use both form numbers to order a “complete” Parts Catalog

Frame Finishes, Touch-Up Paints and Upholstery Options

Frame Finishes and Touch-Up Paint

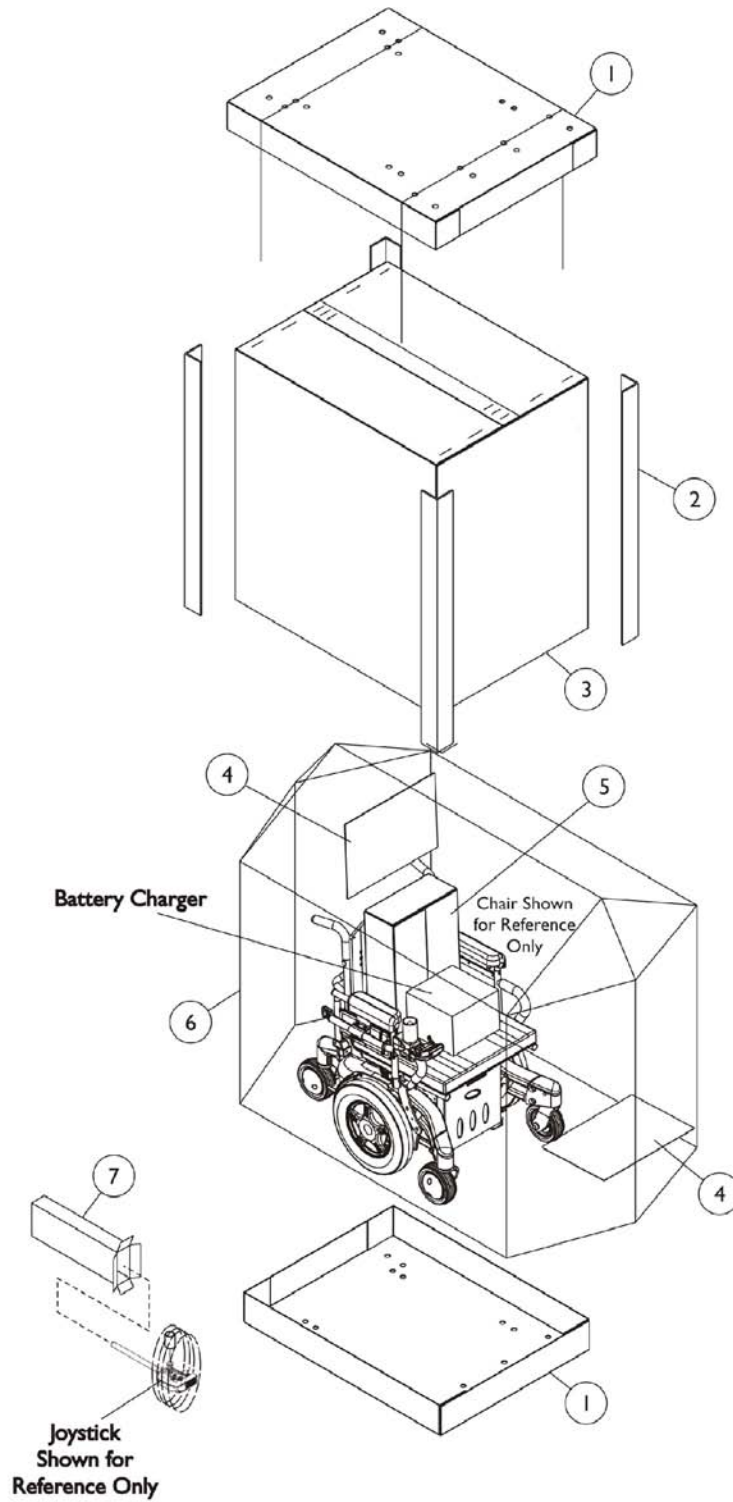
Color Number	Part Number	Bottle Size	Frame Finish
24P	1031450	.6 oz.	Wet Black
30P	N/A	N/A	Sunny Yellow
60P	N/A	N/A	Silver Metallic
61P	1046321	.6 oz.	Electric Red
62P	1046320	.6 oz.	Electric Blue
71P	N/A	N/A	Silver Vein
104P	1101316	.6 oz.	Electric Teal
105P	1101326	.6 oz.	Midnight Blue
115P	1133371	.6 oz.	Black Prism
119P	1133375	.6 oz.	Bubblegum Pink
120P	1133376	.6 oz.	Grape Madness
121P	1133377	.6 oz.	Lolly Pop Blue
122P	1133378	.6 oz.	Cosmic Blue
125P	1133381	.6 oz.	Emerald Green
127P	1133383	.6 oz.	Grasshopper Green

Frame Finishes, Touch-Up Paints and Upholstery Options

Upholstery Options

Nylon Color
U240 Black

Packaging, Literature and Decals



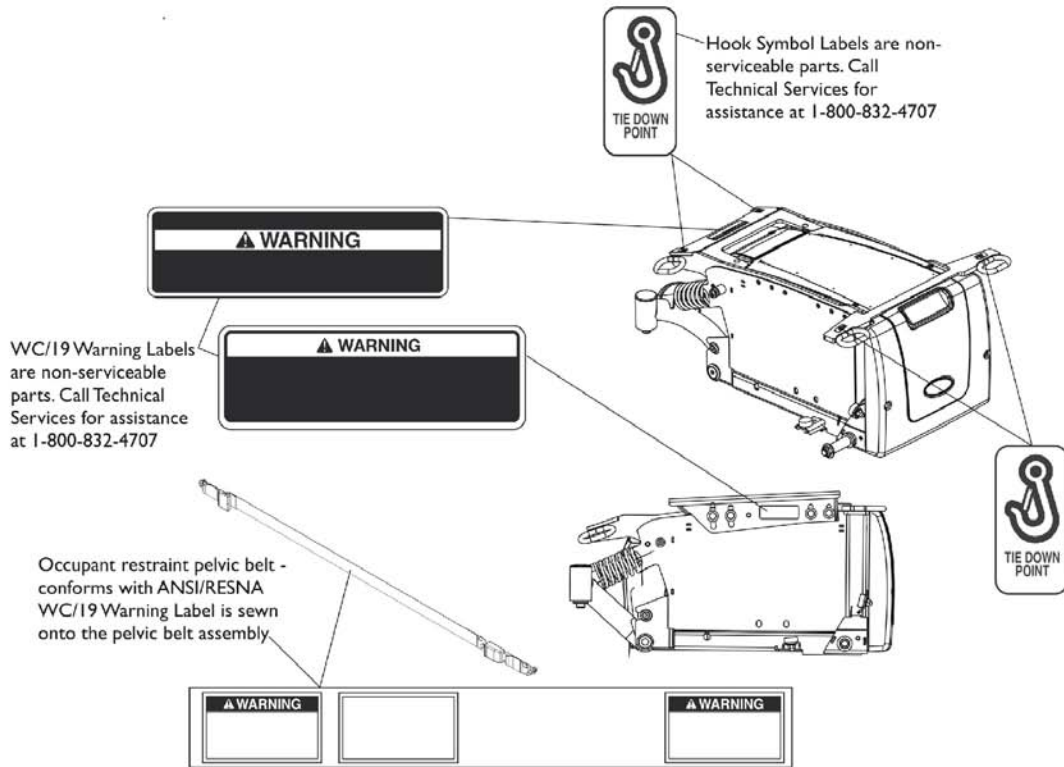
Packaging, Literature and Decals

Item Number	Note	Part Number	Description	Quantity Per	
				Package	Assembly
1	E	1030362	Carton, Tray	1	2
1	D	1036027	Carton, Tray	1	2
2	E	1115174	Carton, Corner Reinforcement	1	4
2	C	1129589	Carton, Corner Reinforcement	1	4
2	D	1129590	Carton, Corner Reinforcement	1	4
3	A	1030365	Carton, Cover	1	1
3	B	1030364	Carton, Cover	1	1
3	C	1031682	Carton, Cover	1	1
3	D	1036028	Carton, Cover	1	1
4		40131X161	Insert, Plain Pad	1	2
5		40131X011	Carton, Front Riggings	1	1
6		1015592	Bag, Poly (72" L x 35" W x 19" D)	1	1
7		1012001	Carton, Joystick	1	1
	F	00077X031	Warranty Card	1	1
	F	1154294	Owner's Manual, TDX SI Base	1	1
	F	1143192	Owner's Manual, ADJASBA Seat with MK6i Electronics	1	1
	F	1143195	Owner's Manual, Van Seat's with MK6i Electronics	1	1
	F	1148036	Decal, TDX SI, Yellow/Silver	1	2
	F	1157930	Decal, TDX SI, Black	1	2

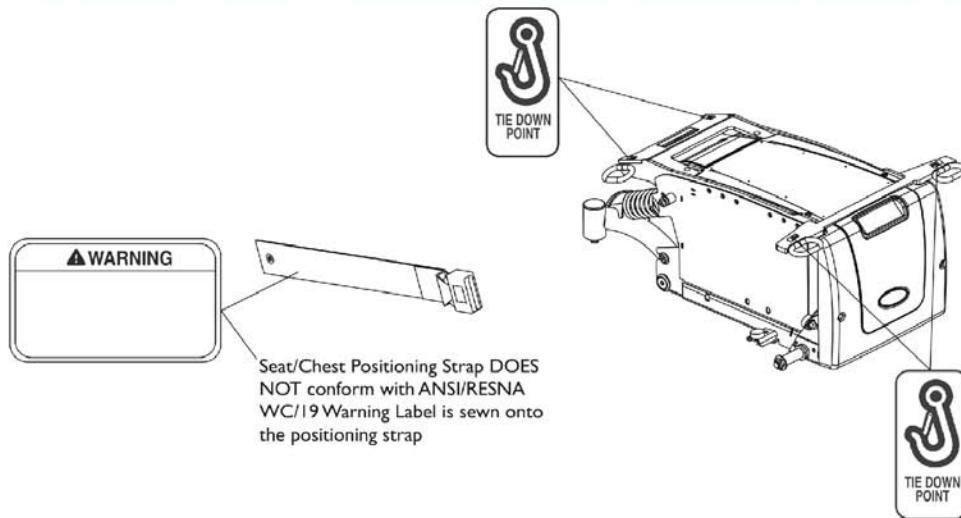
NOTE: A - Base only and all ADJASBA seat only models.
 B - 12" Wide - 19" Wide ADJASBA seat with base models.
 C - 16" Wide - 19" Wide ADJASBA seat with base models with medium and tall seat-to-floor heights.
 D - 20" Wide - 22" Wide ADJASBA seat with base models.
 E - 12" Wide - 20" Wide ADJASBA seat with base and base only models.
 F - Not Shown.

When adjusting or replacing parts, please refer to your Owner's Manual for assistance.

Label Locations For TRRO and TRBKTS Options



TRRO Option Label Locations



TRBKTS Option Label Locations

TRRO and TRBKTS Option Clarification Reference

TRRO and TRBKTS Option is an On-Chair option only.

About Transport Ready Packages

TRRO includes four factory-installed transport brackets and a wheelchair anchored pelvic belt. **TRRO** has been crash-tested in accordance with ANSI/RESNA WC Vol. 1 Section 19 Frontal Impact Test requirements for wheelchairs with a 130 lb. crash test dummy, which corresponds to a person with weight of 125 to 165 lbs. for junior seat sizes or a 168 lb. crash dummy, which corresponds to a person with a weight of 165 to 300 lbs. for Adult seat sizes.

TRBKTS includes four factory-installed wheelchair transport brackets. **TRBKTS** has not been crash-tested in accordance with WC 19. Use these transport brackets only to secure an unoccupied wheelchair during transport.

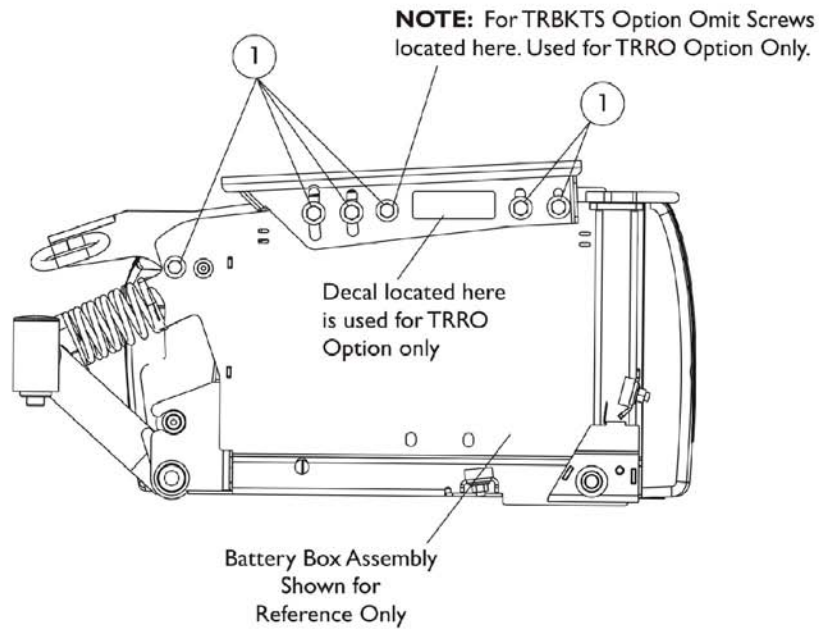
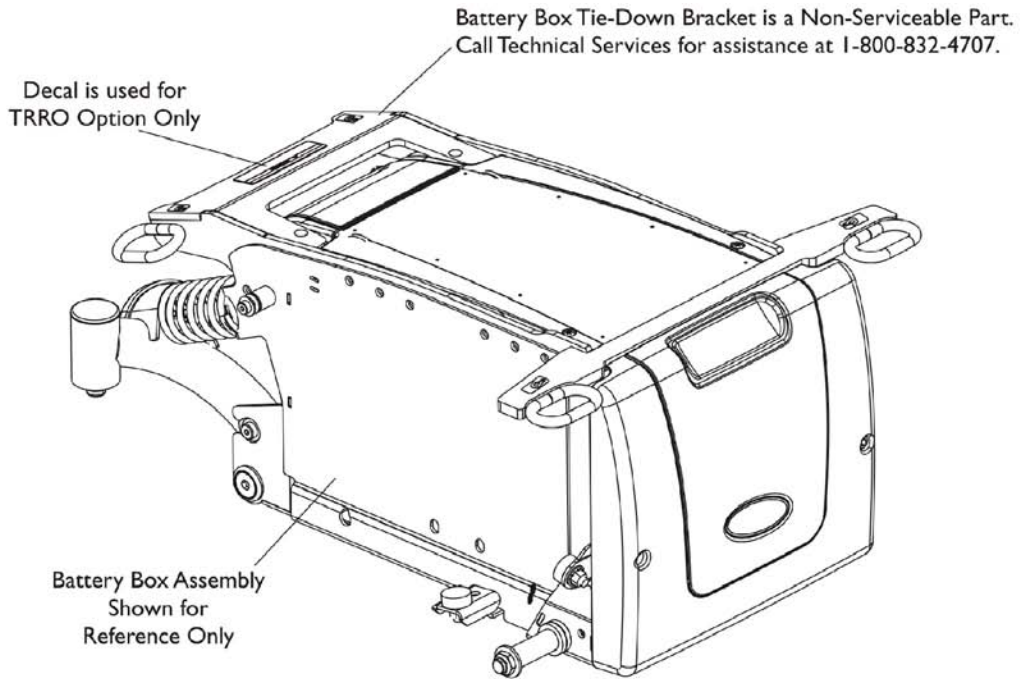
Only use the transport brackets included with **TRRO** and **TRBKTS** for the purpose described in the appropriate Owner's Operator and Maintenance Manual.

Battery support brackets **MUST** be installed at all times. Otherwise, the wheelchair will not be WC/19 compliant. Refer to Removing/Installing the Batteries From/Into the Wheelchair in the appropriate Owner's Operator and Maintenance Manual.

As of this date, the Department of Transportation has not approved any tie-down systems for transportation of a user while in a wheelchair, in a moving vehicle of any type. It is Invacare's position that users of wheelchairs should be transferred into appropriate seating in vehicles for transportation and use be made of the restraints made available by the auto industry. Invacare cannot and does not recommend any wheelchair transportation systems.

NOTE: ANSI = American National Standards Institute, RESNA = Rehabilitation Engineering and Assistive Technology Society of North America.

Battery Box Tie-Down Bracket Mounting Hardware For TRRO/TRBKTS Option

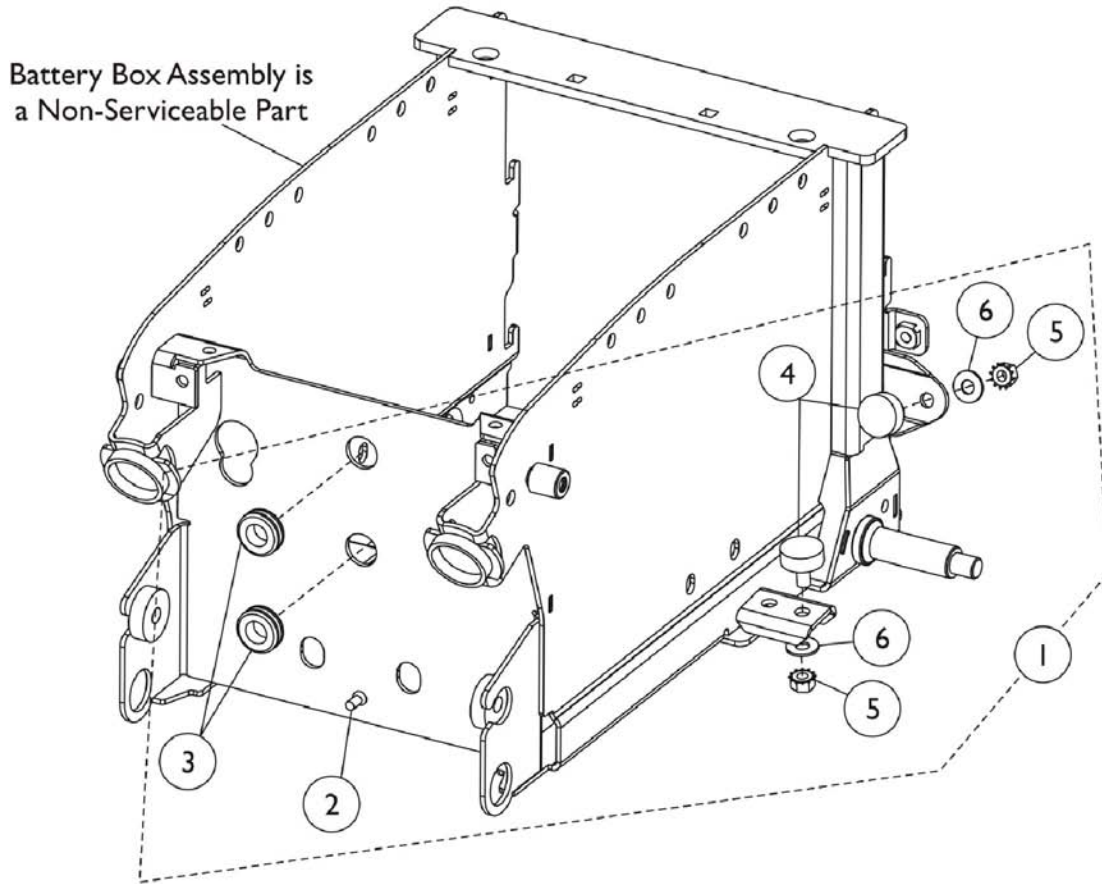


Battery Box Tie-Down Bracket Mounting Hardware For TRRO/TRBKTS Option

Item Number	Note	Part Number	Description	Quantity Per	
				Package	Assembly
1	A	1144677	Package, Screw Hex Head Sems with Patch (5/16-18 x 3/4")	12	1
1	B	1144678	Package, Screw Hex Head Sems with Patch (5/16-18 x 3/4")	10	1
NOTE: A - Bracket Tie-Down Mounting Hardware For TRRO Option. B - Bracket Tie-Down Mounting Hardware For TRBKTS Option.					

Battery Box Hardware

The Battery Boxes are non-serviceable parts. Call Technical Services for assistance (1-800-832-4707).

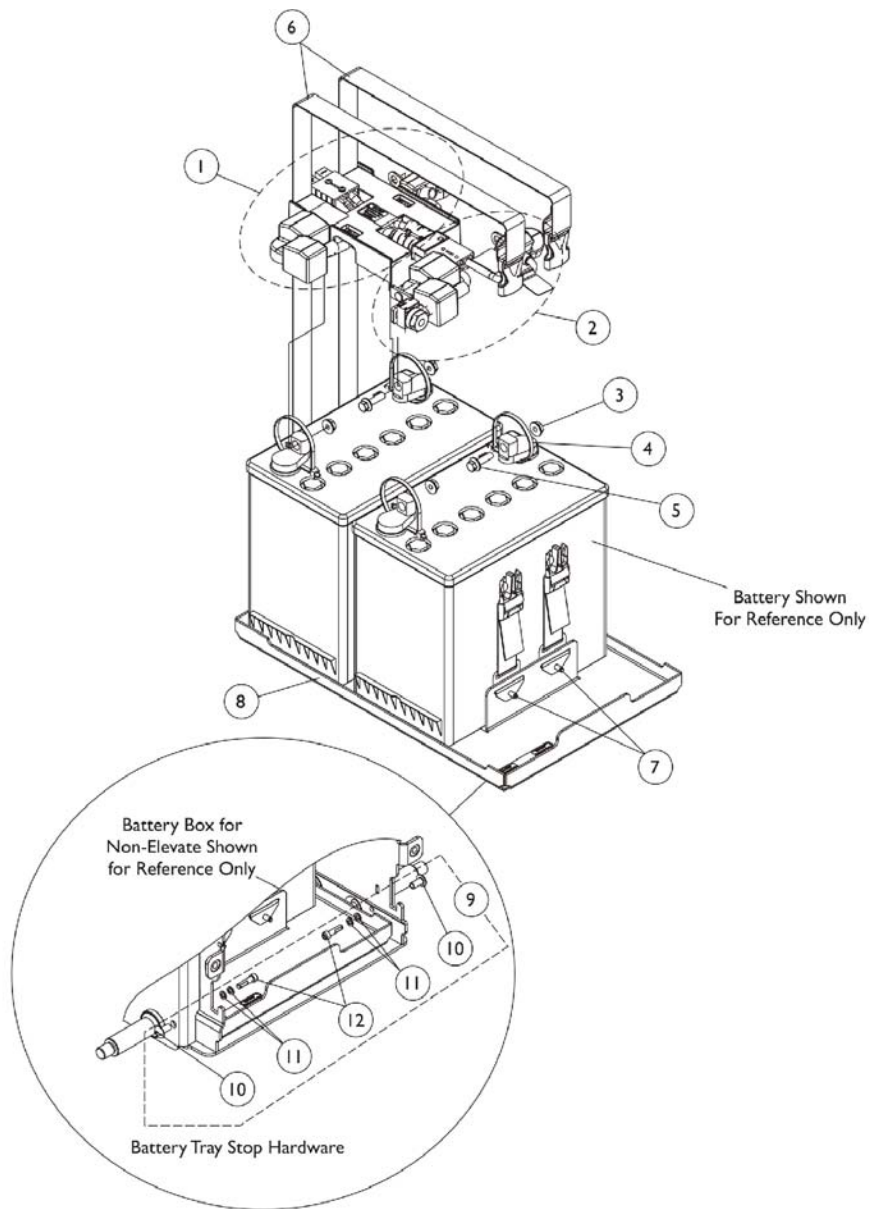


Battery Box Hardware

The Battery Boxes are non-serviceable parts. Call Technical Services for assistance (1-800-832-4707).

Item Number	Note	Part Number	Description	Quantity Per	
				Package	Assembly
1	A,B	1145071	Kit, Battery Box Rubber Bumper and Grommet Hardware	1	1
2			Bumper, Rubber (7/8" Diameter x 3/16")	1	3
3			Grommet, Rubber (9/16 ID x 11/16 OD x 3/8")	1	2
4			Bumper, Rubber (1" Diameter x 3/8")	1	4
5			Nut, Keps (5/16-18)	1	4
6			Washer (5/16 x 3/4 x 1/16")	1	4
NOTE: A - Includes items 2-6. B - Three rubber bumpers are included in this kit, only (1) rubber bumper is needed for this chair type.					

Battery Tray Assembly and Wire Harnesses

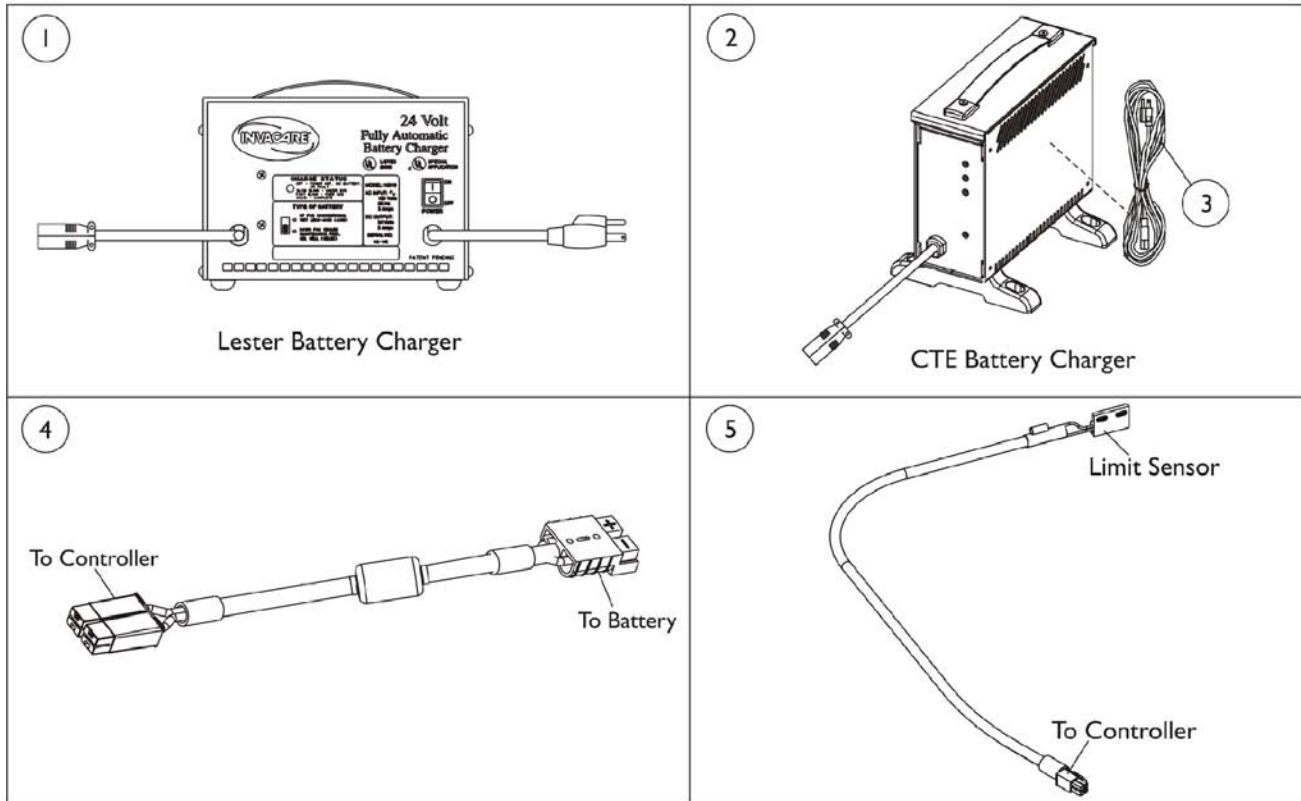


Battery Tray Assembly and Wire Harnesses

Item Number	Note	Part Number	Description	Quantity Per	
				Package	Assembly
1	A	1120363	Kit, Battery Wire Harness with Terminal Hardware, 22NF - Rear	1	1
2	A	1120362	Kit, Battery Wire Harness with Terminal Hardware, 22NF - Front	1	1
3		16721X000	Locknut (1/4-20)	1	4
4		1095502	Package, Cable Tie (11-1/2" L)	10	1
5		1096799	Screw, Hex Flange Whiz Lock (1/4-20 x 7/8")	1	2
6		1144682	Battery Strap Assembly, 22NF	1	2
7		16348X000	Rivet (3/16 x 7/16")	1	4
8	B	1157804	Kit, Battery Tray Assembly, 22NF	1	1
9	C	1144685	Kit, Battery Tray Stop Hardware	1	1
10			Rivnut (#10-32)	1	2
11			Washer, Locking Split (#10)	1	4
12			Screw, Socket Head w/ Patch (#10-32 x 3/4")	1	2
	D	1144611	Strip, Self Adhesive Wear (2-1/2' L x 1/2" W)	1	1

NOTE: A - Includes items 3-5.
 B - Includes the Battery Tray, Battery Label, Self Adhesive Wear Strip, and items 6-7.
 C - Includes items 10-12.
 D - Not Shown. Attaches to the bottom side of Battery Tray on both sides to ease removal of Battery Box. Only one strip is needed for both sides, cut to desired length.

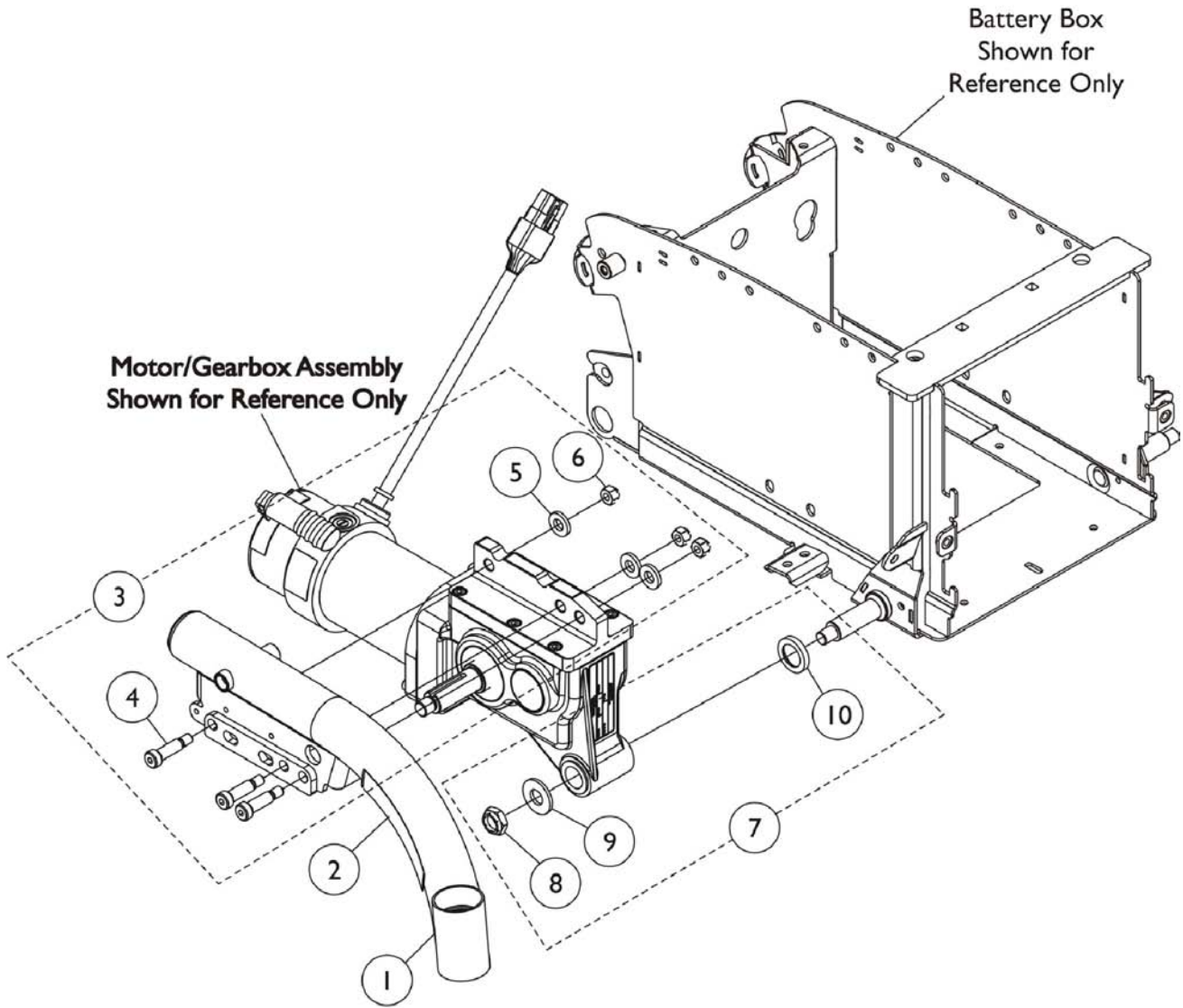
Battery Charger and Cables



Item Number	Note	Part Number	Description	Quantity Per	
				Package	Assembly
1		1053161	Charger, Battery, 8 Amp, 115vac, Off Board Dual Mode Round Plug, Lester	1	1
2	A	1123249	Battery Charger, 8 Amp. 115vac (Off Board) Single Mode Round Plug w/ AC Power Line Cord, CTE Corp.	1	1
3		1089627	Cord, AC Power Line, 115VAC, 2 Prong Off-Board (11' 6" L)	1	1
4		1119449	Cable, Battery Extension	1	1
5	B	1146573	Cable, Drive Lockout Sensor, MK6i	1	1

NOTE: A - Standard on-chair. Used on Gel Cell or Absorbed Glass Mat batteries. For wet cell batteries refer to Item 2 part # 1053161.
 B - Used with chairs manufactured with ADJRECL Seat Frames.

Walking Beam and Mounting Hardware

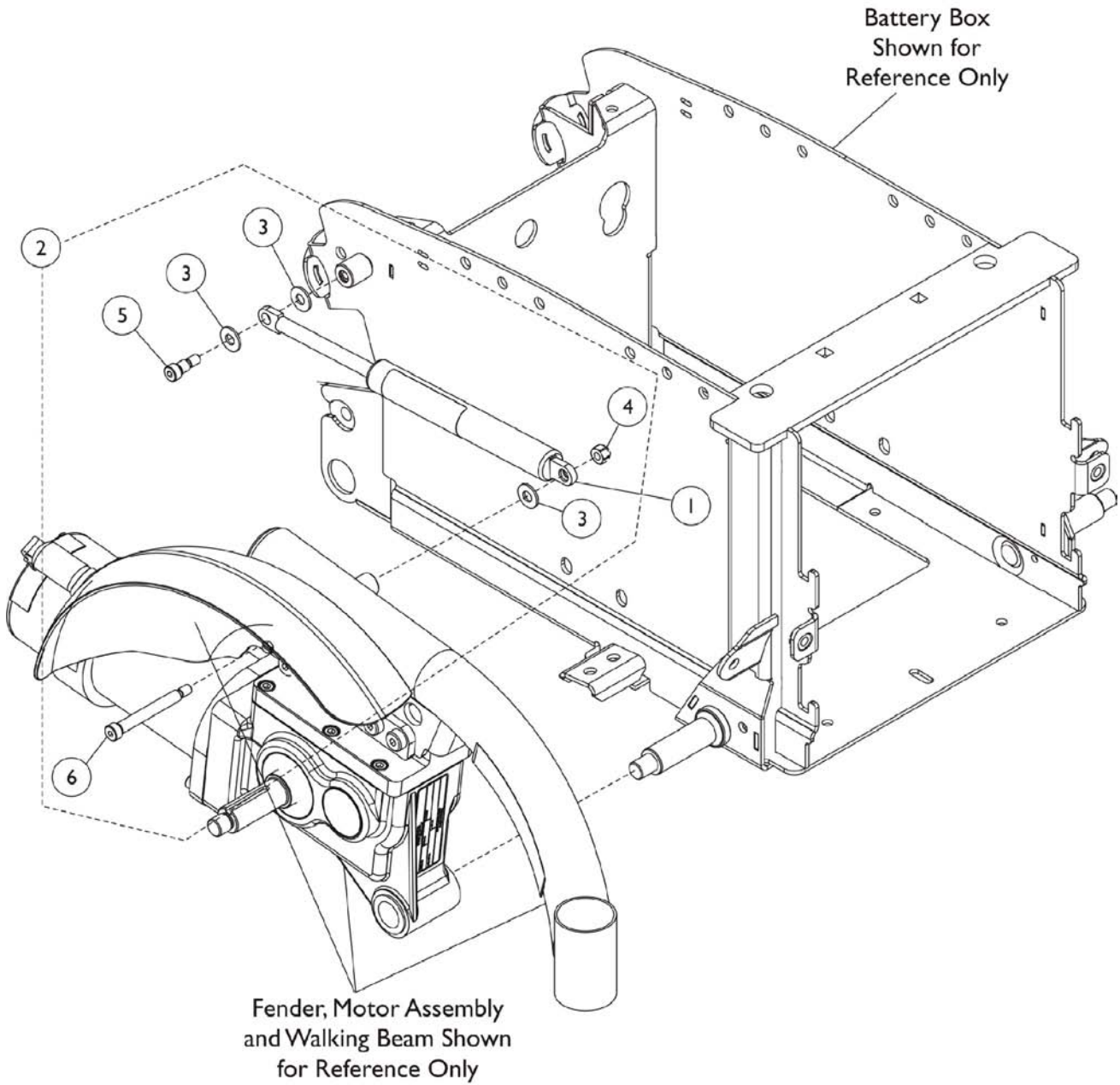


Walking Beam and Mounting Hardware

Item Number	Note	Part Number	Description	Quantity Per	
				Package	Assembly
1	A,C	8881147996	Walking Beam Assembly, Color with Yellow/Silver Decal - Right	1	1
1	A,C	8881147997	Walking Beam Assembly, Color with Yellow/Silver Decal - Left	1	1
1	B,C	8881160521	Walking Beam Assembly w/ Black Decal, Color - Right	1	1
1	B,C	8881160522	Walking Beam Assembly w/ Black Decal, Color - Left	1	1
2	A	1148036	Decal, TDX SI, Yellow/Silver	1	1
2	B	1157930	Decal, TDX SI, Black	1	1
3	D	1145068	Kit, Walking Beam Mounting Hardware	1	1
4			Screw, Shoulder Hex Socket Head (3/8 x 1", 5/16-18)	1	3
5			Washer (7/16 x 13/16 x 1/8")	1	3
6			Locknut (5/16-18)	1	3
7	E	1160523	Kit, 2-Pole and 4-Pole Motor Mounting Hardware	1	1
8			Spacer, Coved (3/4 x 1-1/8 x 1-1/32")	1	1
9			Washer (1/2")	1	1
10			Locknut (1/2-20)	1	1

NOTE: A - Excludes all frame colors except 30P Sunny Yellow, 60P Silver Metallic and 71P Silver Vein.
 B - Includes 30P Sunny Yellow, 60P Silver Metallic and 71P Silver Vein frame colors only.
 C - Specify frame color when ordering.
 D - Includes items 4-6.
 E - Includes items 8-10.

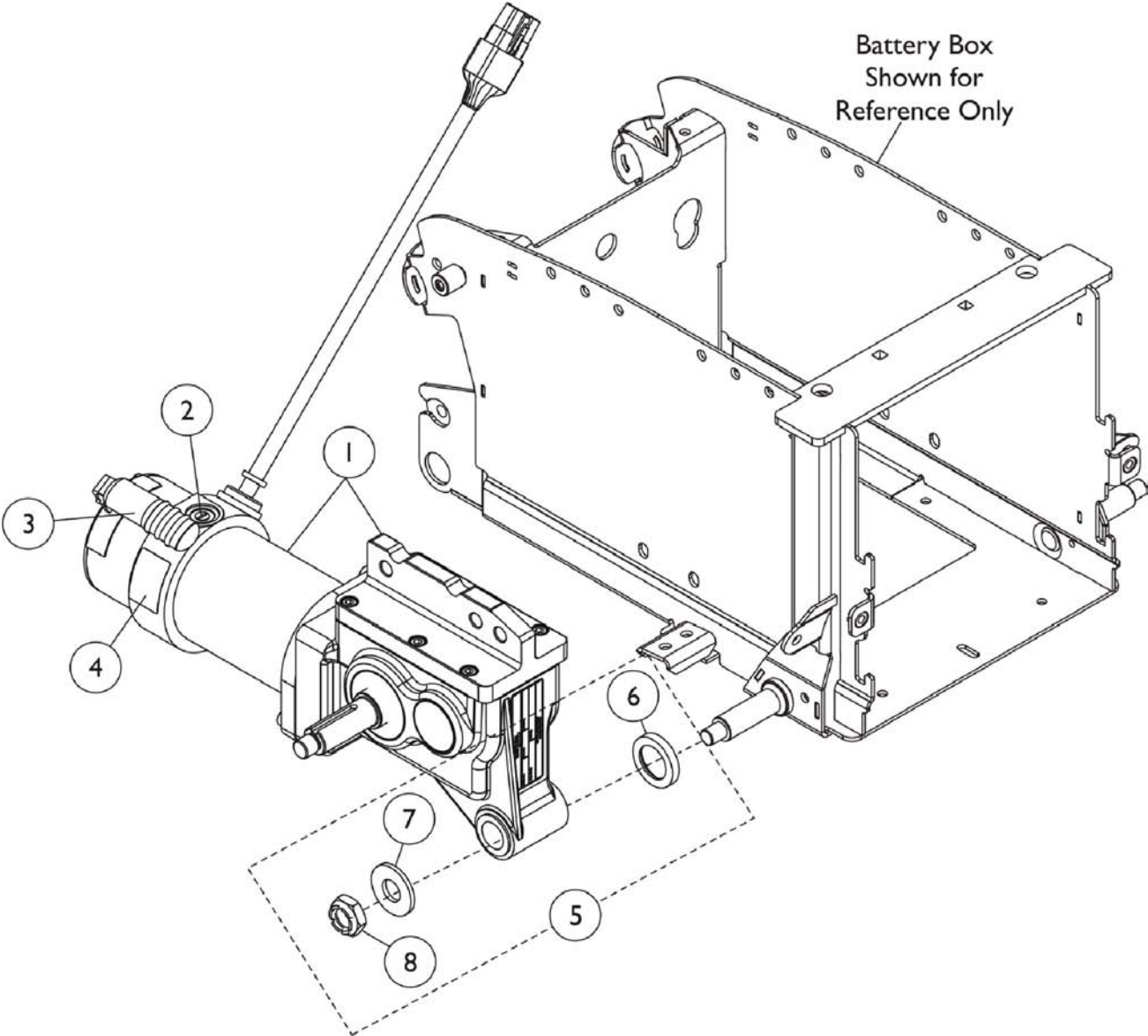
Cylinder



Cylinder

Item Number	Note	Part Number	Description	Quantity Per	
				Package	Assembly
1	A	1148029	Cylinder, Black	1	1
2		1160524	Kit, Cylinder Mounting Hardware - Right/Left	1	1
3			Washer, Nylon (11/32 x 11/16 x 1/16")	1	3
4			Locknut (1/4-20)	1	1
5			Screw, Shoulder Hex Socket Head (5/16" x 3/8", 1/4-20)	1	1
6			Screw, Shoulder Hex Socket Head (5/16" x 2-1/4", 1/4-20)	1	1
NOTE: A - Includes items 3-6.					

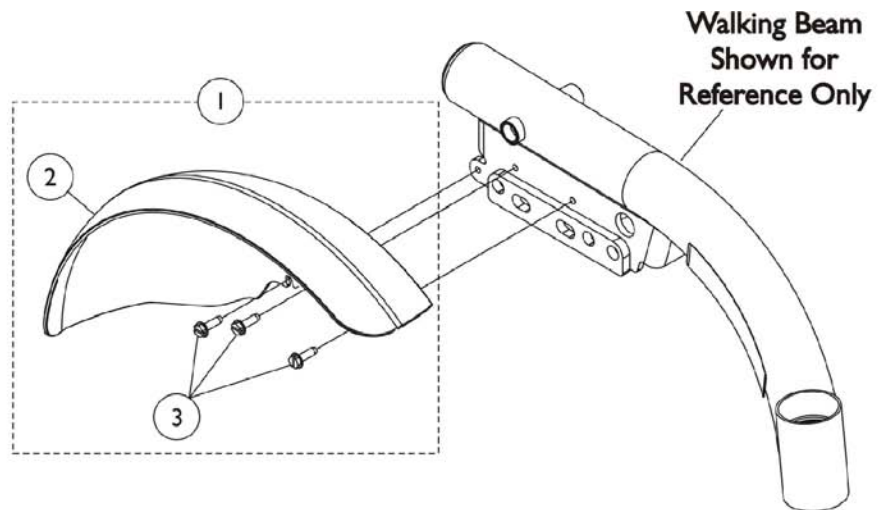
Motor Assembly and Mounting Hardware



Motor Assembly and Mounting Hardware

Item Number	Note	Part Number	Description	Quantity Per	
				Package	Assembly
1		1148034	Motor and Gearbox Assembly w/ Bearings - Right	1	1
1		1148035	Motor and Gearbox Assembly w/ Bearings - Left	1	1
2	A	1160525	Kit, Brushes with Caps, 2-Pole	1	1
			Brush, Motor, 2-Pole	1	2
			Cap, Brush	1	2
			Instruction Sheet	1	1
3		1101725	Cap, End, Brake, Black	1	1
4		1104797	Decal, Shroud Drive/Push	1	1
5	B	1160523	Kit, 2-Pole and 4-Pole Motor Mounting Hardware	1	1
6			Spacer, Coved (3/4 x 1-1/8 x 1-1/32")	1	1
7			Washer (1/2")	1	1
8			Locknut (1/2-20)	1	1
NOTE: A - Includes (2) Brushes, (2) Brush Caps, and Instruction Sheet. B - Includes items 6-8.					

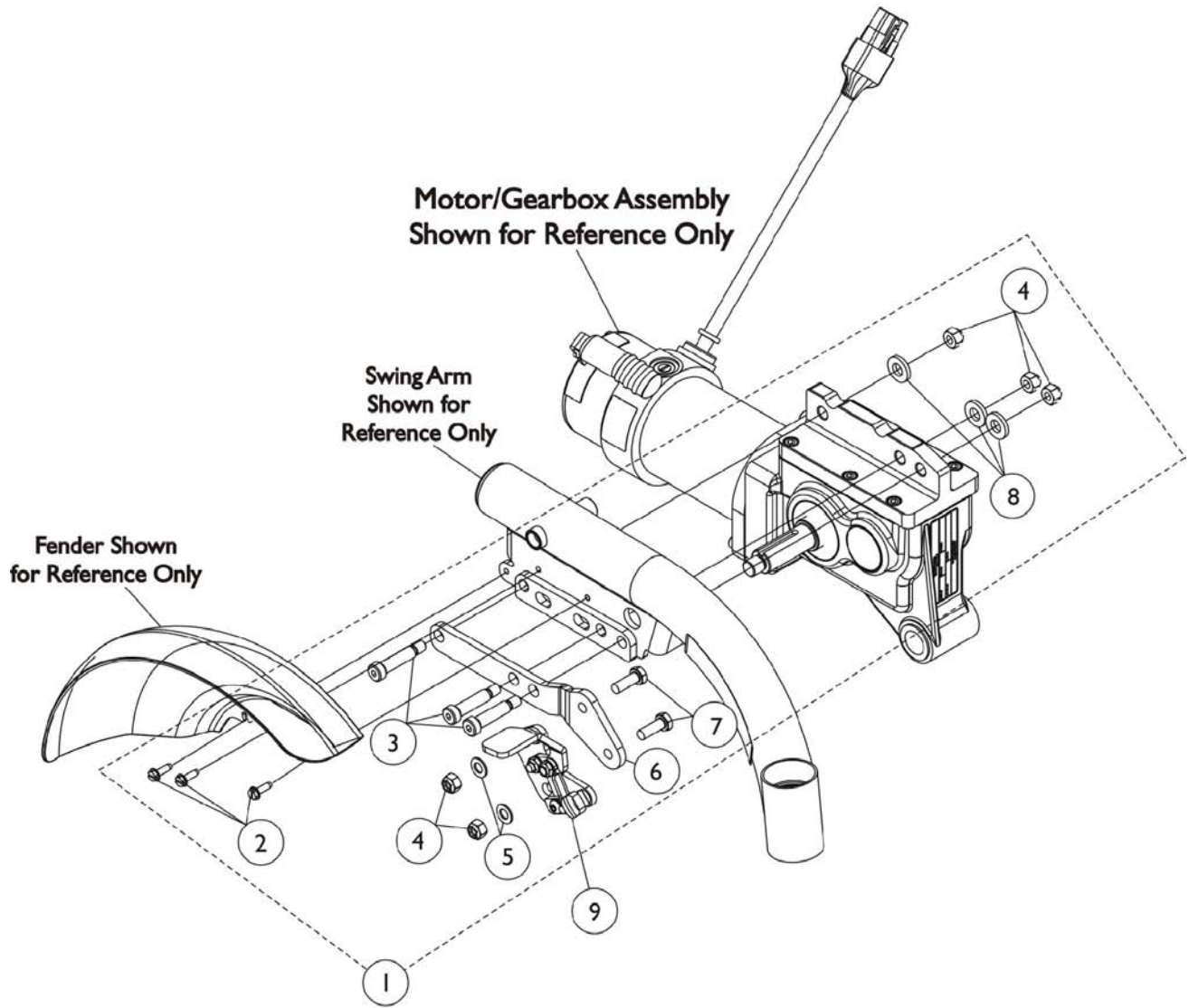
Fender Assembly



Item Number	Note	Part Number	Description	Quantity Per	
				Package	Assembly
1	A	1145056	Kit, Fender Assembly - Right	1	1
2			Fender - Right	1	1
3			Screw, Slotted Hex Washer Head (#10-32 x 5/8")	1	3
1	A	1145057	Kit, Fender Assembly - Left	1	1
2			Fender - Left	1	1
3			Screw, Slotted Hex Washer Head (#10-32 x 5/8")	1	3

NOTE: A - Includes items 2 and 3.

Wheel Lock Assembly



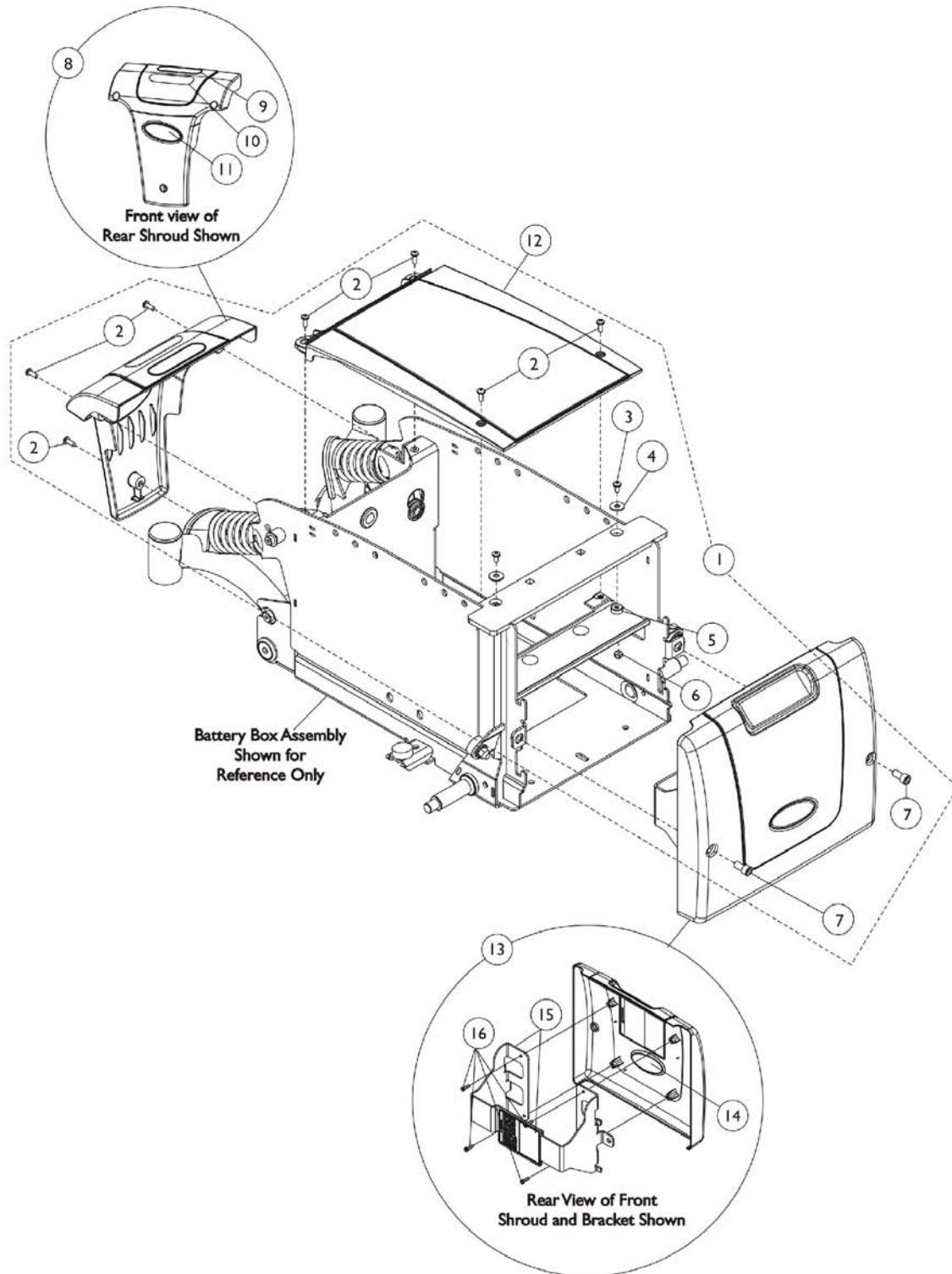
Wheel Lock Assembly

Item Number	Note	Part Number	Description	Quantity Per	
				Package	Assembly
1	A	1145072	Kit, Wheel Lock Mounting Hardware - Right	1	1
2			Screw, Slotted Hex Washer Head (#10-32 x 5/8")	1	3
3			Screw, Shoulder Hex Socket Head (3/8 x 1-1/4", 5/16-18)	1	3
4			Locknut (5/16-18)	1	5
5			Washer, Flat (5/16 x 5/8 x 1/16")	1	2
6			Bracket, Wheel Lock, Black - Right	1	1
7			Screw, Hex Head Cap w/ Patch (5/16-18 x 7/8")	1	2
8			Washer (7/16 x 13/16 x 1/8")	1	3
1	A	1145073	Kit, Wheel Lock Mounting Hardware - Left	1	1
2			Screw, Slotted Hex Washer Head (#10-32 x 5/8")	1	3
3			Screw, Shoulder Hex Socket Head (3/8 x 1-1/4", 5/16-18)	1	3
4			Locknut (5/16-18)	1	5
5			Washer, Flat (5/16 x 5/8 x 1/16")	1	2
6			Bracket, Wheel Lock, Black - Left	1	1
7			Screw, Hex Head Cap w/ Patch (5/16-18 x 7/8")	1	2
8			Washer (7/16 x 13/16 x 1/8")	1	3
9		1139885	Wheel Lock Assembly, TDX - Right	1	1
9		1139886	Wheel Lock Assembly, TDX - Left	1	1

NOTE: A - Includes items 2-8.

Shrouds and Hardware

NOTE: Front Shroud and Bracket are different when a Footboard Assembly is used. See page titled "Footboard Assembly"



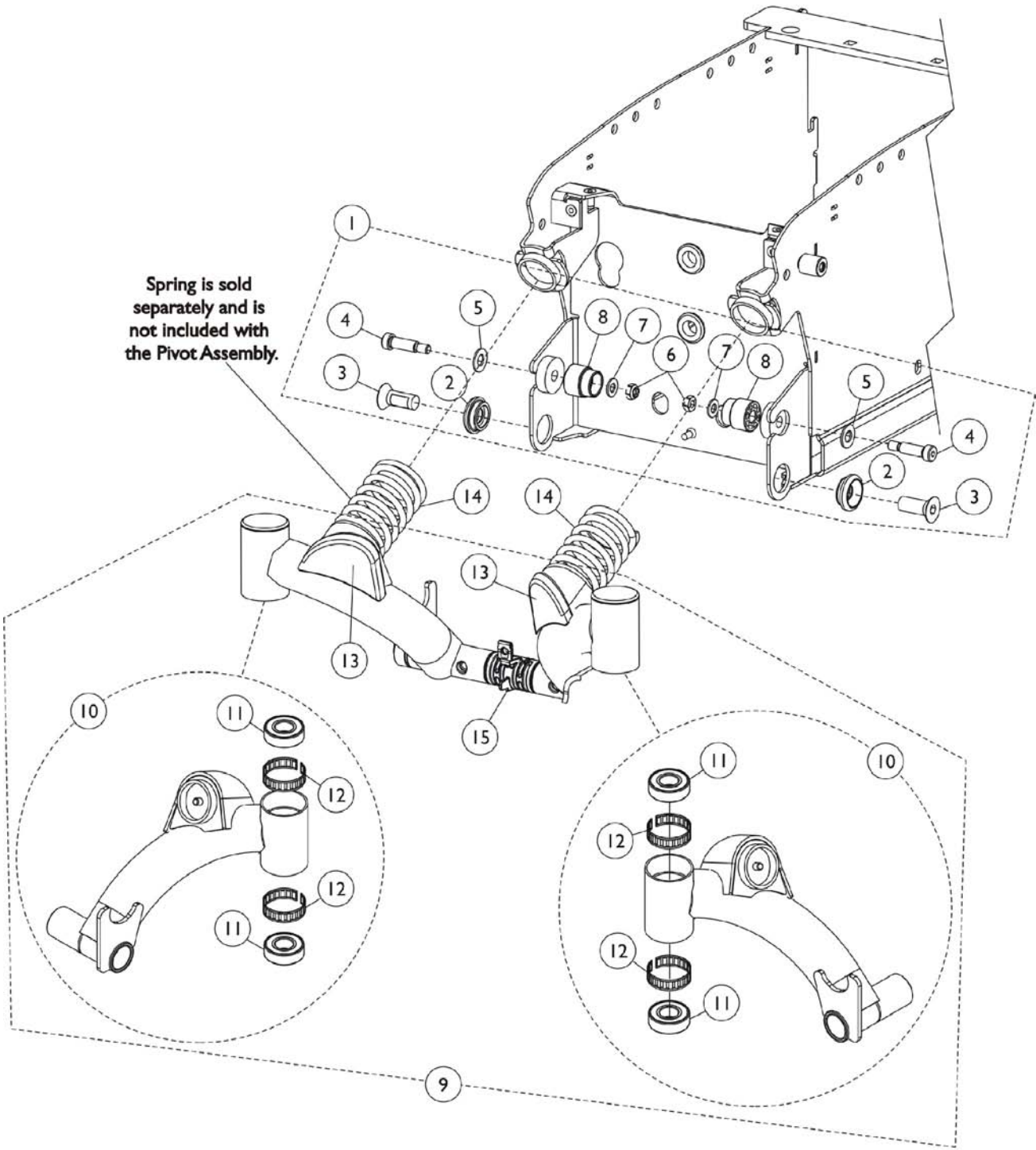
Shrouds and Hardware

NOTE: Front Shroud and Bracket are different when a Footboard Assembly is used. See page titled "Footboard Assembly"

Item Number	Note	Part Number	Description	Quantity Per	
				Package	Assembly
1	A	1144651	Kit, Shroud Hardware (For 22NF Batteries)	1	1
2			Screw, Phillips Pan Head (#10-32 x 1/2")	1	7
3			Screw, Phillips Pan Head (#10-32 x 3/8")	1	2
4			Washer (1/4 x 23/32 x 1/16")	1	2
5			Shroud, Isolation	1	1
6			Locknut (#10-32)	1	2
7			Screw, Socket Head w/ Patch (5/16-18 x 5/8")	1	2
8	B	1144648	Shroud w/ Decal - Rear	1	1
8	B	1144650	Shroud w/ Decal - Rear (TRRO/TRBKTS)	1	1
9		1119281	Plate, Name, Patent Numbers	1	1
10		1035900	Decal, Transportation	1	1
11		1090147	Decal, Invacare Medallion - Large	1	1
12		1144643	Shroud, Center	1	1
12		1144644	Shroud, Center (TRRO/TRBKTS)	1	1
13	C	1144642	Front Shroud and Bracket Assembly	1	1
14		1090147	Decal, Invacare Medallion - Large	1	1
15		1145069	Kit, Bracket w/ Decal, Front Shroud, Black	1	1
16		1114276	Screw, Phillips Pan Head (#8-16 x 5/8")	1	4

NOTE: A - Includes Items 2-7.
 B - Includes Items 9-11.
 C - Includes Items 14-16.

Pivot Assembly and Mounting Hardware - Rear



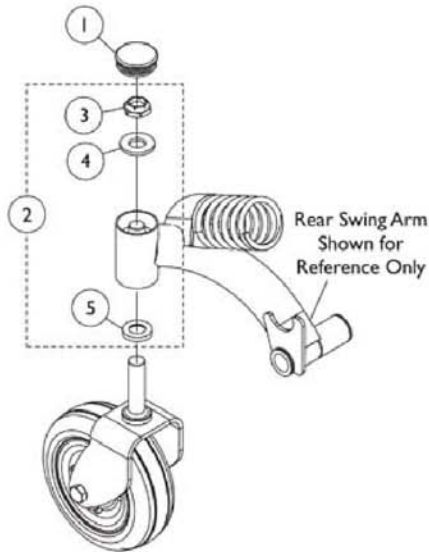
Pivot Assembly and Mounting Hardware - Rear

Item Number	Note	Part Number	Description	Quantity Per	
				Package	Assembly
1	A	1148028	Kit, Pivot Hardware - Rear	1	1
2			Bushing, Rear Pivot	1	2
3			Screw, Socket Flat C'Sunk Head Cap w/ Patch (1/2-13 x 1-1/4")	1	2
4			Screw, Shoulder Hex Socket Head (3/8 x 1", 5/16-18)	1	2
5			Washer, Nylon (3/8 x 13/16 x 1/16")	1	2
6			Locknut (5/16-18)	1	2
7			Washer (5/16 x 5/8 x 1/16")	1	2
8			Stop, Nylon	1	2
9	C	8881160527	Pivot Assembly, Color - Rear (For 22NF Battery Box)	1	1
10	B	8881148000	Kit, Swing Arm Assembly, Color with Bearings, Rear - Right	1	1
11			Bearing (5/8")	1	2
12			Ring, Tolerance	1	2
10	B,D	8881148001	Kit, Swing Arm Assembly, Color with Bearings, Rear - Left	1	1
11			Bearing (5/8")	1	2
12			Ring, Tolerance	1	2
11		40117X006	Bearing (5/8")	1	2
12		1110717	Ring, Tolerance	1	2
13		1150988	Cap, Rear, Black - Right	1	1
13		1150989	Cap, Rear, Black - Left	1	1
14	D	1113186	Spring, Yellow, Non-Heavy Duty	1	2
15		1144672	Center Bushing Assembly	1	1

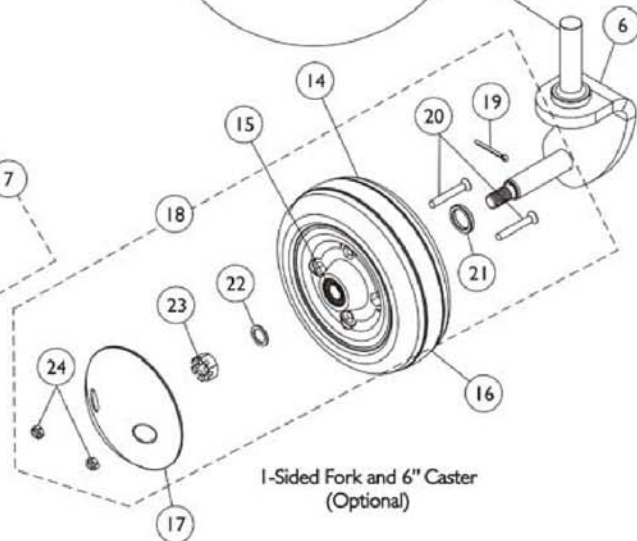
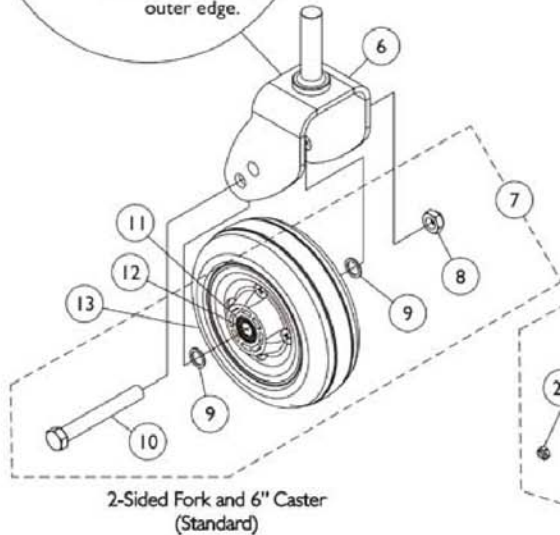
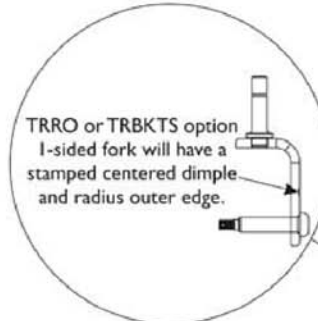
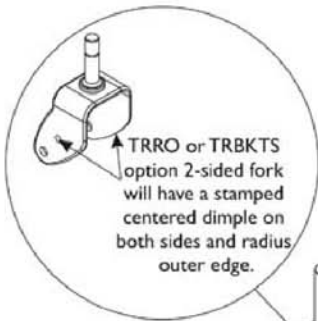
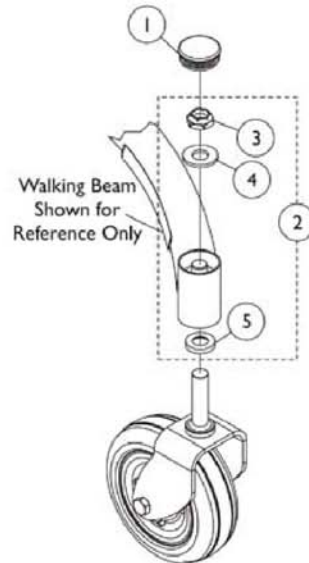
NOTE: A - Includes items 2-8.
 B - Includes the Swing Arm Assembly and items 11 and 12. Specify frame color when ordering.
 C - Includes items 10 and 13-15. Specify frame color when ordering.
 D - Spring is sold separately and is not included with the Pivot Assembly.

Caster and Forks, 6" Front and Rear

**Rear Fork
Mounting Hardware
and Head Tube Cap**



**Front Fork
Mounting Hardware
and Head Tube Cap**

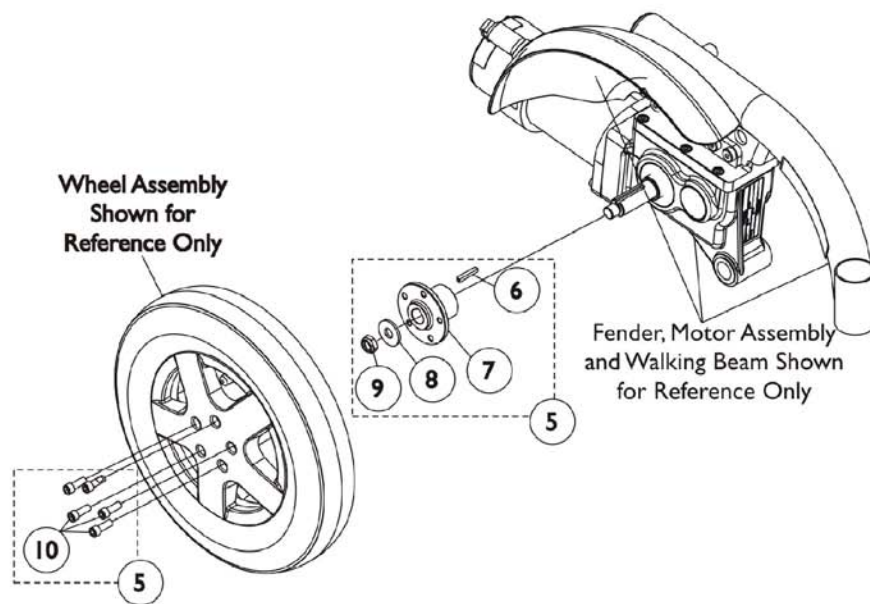
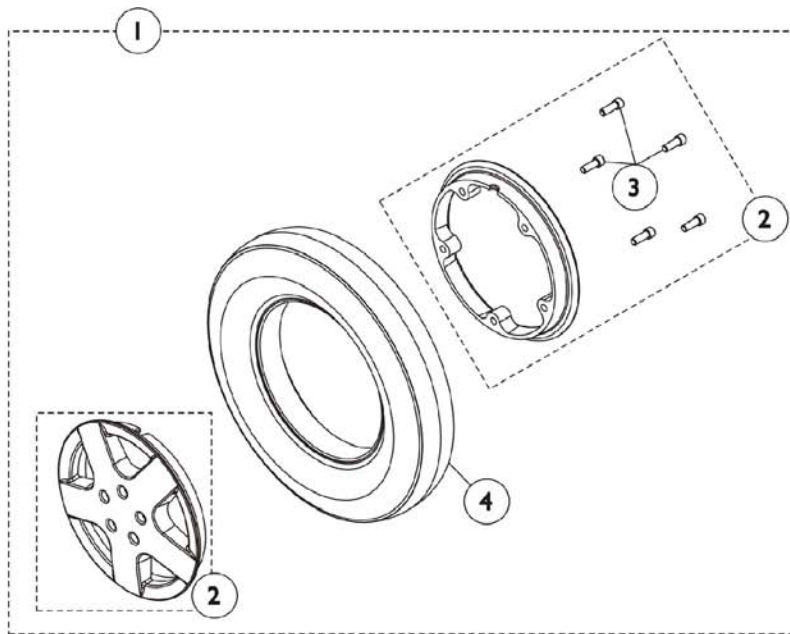


Caster and Forks, 6" Front and Rear

Item Number	Note	Part Number	Description	Quantity Per	
				Package	Assembly
1		1110709	Plug Button, Head Tube, Black	1	1
2	A	1110684	Kit, Fork Mounting Hardware	1	1
3			Locknut (5/8-18)	1	1
4			Washer (5/8 x 1-5/16 x 1/8")	1	1
5			Spacer, Stem (5/8 x 1-1/8 x 3/16")	1	1
6		1110683	Fork and Stem, 2-Sided - Right/Left	1	1
6	B	1141020	Fork and Stem, 2-Sided, TRRO/TRBKTS - Right/Left	1	1
6	C	1113123	Fork and Stem, 1-Sided - Right	1	1
6	C	1113124	Fork and Stem, 1-Sided - Left	1	1
6	C,D	1141005	Fork and Stem, 1-Sided, TRRO/TRBKTS - Right	1	1
6	C,D	1141006	Fork and Stem, 1-Sided, TRRO/TRBKTS - Left	1	1
7	E	1110708	Kit, Caster Mounting Hardware	1	1
8		1025734	Locknut (7/16-20)	1	1
9		1025724	Washer (15/32 x 5/8 x 3/64")	1	2
10		1025726	Screw, Hex Head (7/16-20 x 3-1/4")	1	1
11		1006049	Bearing (7/16")	1	2
12		1020592	Spacer, Bearing (7/16 x 5/8 x 1-3/4")	1	1
13		1115179	Wheel Assembly w/ Bearings, Urethane Deep Profile (6" x 2")	1	1
13		1122066	Wheel Assembly w/ Bearings, Urethane Deep Profile (6" x 2") (Pair)	2	1
14		40117X006	Bearing (5/8")	1	1
15		1006049	Bearing (7/16")	1	1
16		1110715	Wheel Assembly w/ Bearings, Urethane Deep Profile (6" x 2")	1	1
17		1105854	Cap, Hub	1	1
18	F	1108561	Hardware, Caster	1	1
19		1105852	Pin, Cotter	1	1
20		1115246	Screw, Phillips Flat Head Countersunk (M6 x 1 x 45mm)	1	2
21		1108005	Spacer, Steel (5/8 x 7/8 x 1/8")	1	1
22		1025724	Washer (15/32 x 5/8 x 3/64")	1	1
23		1107168	Nut, Hex Slotted (7/16-20)	1	1
24		1107698	Locknut (M6 x 1)	1	2

NOTE: A - Includes items 3-5.
 B - TRRO or TRBKTS option 2-sided fork will have stamped centered dimple on both sides and radius outside edges.
 C - When 1-sided forks are used, they are assembled in the front and rear of the power chair.
 D - The TRRO or TRBKTS option 1-sided fork will have a stamped centered dimple and radius outside edges.
 E - Includes items 8-10.
 F - Includes items 19-24.

Drive Wheels and Mounting Hardware (14" x 3")

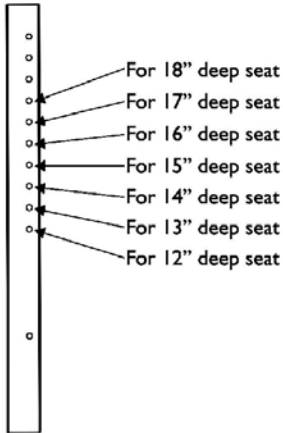
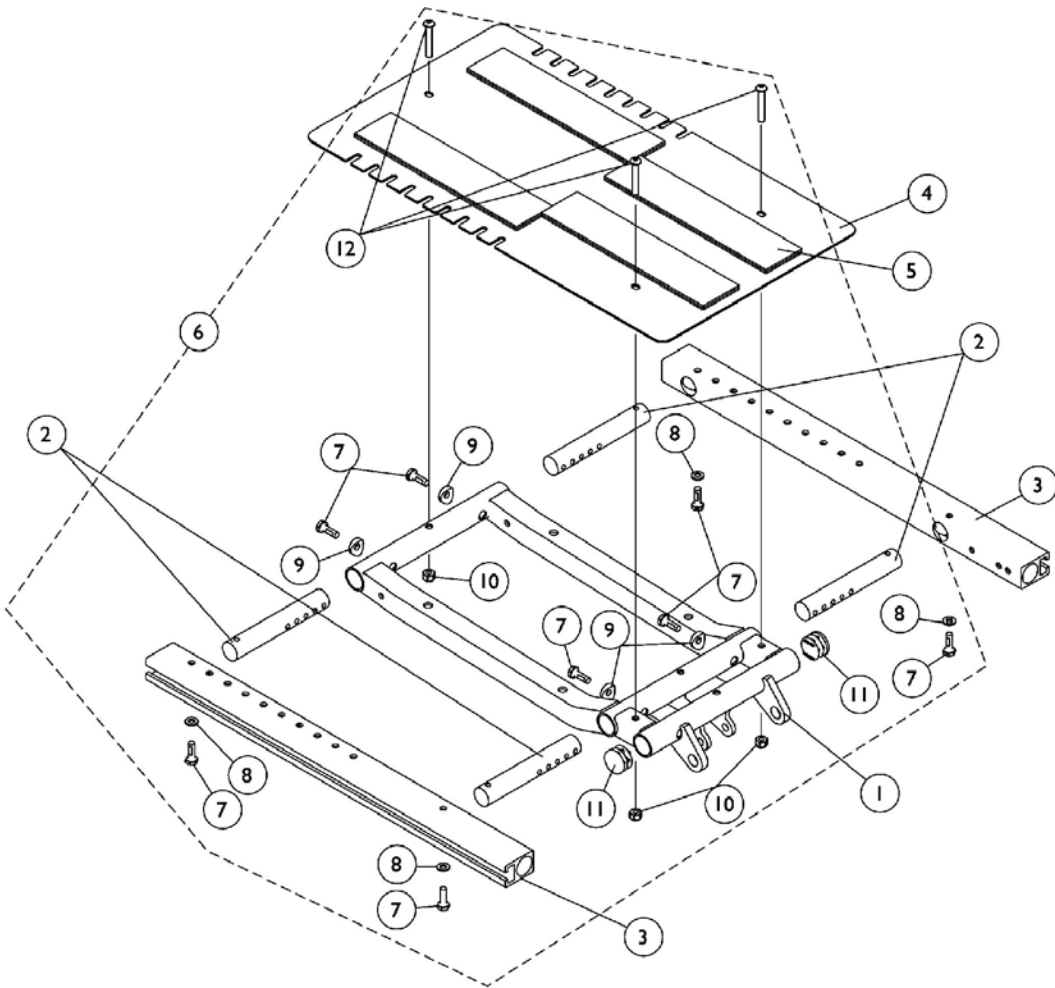


Drive Wheels and Mounting Hardware (14" x 3")

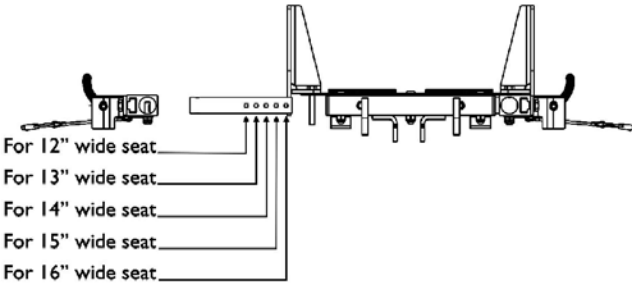
Item Number	Note	Part Number	Description	Quantity Per	
				Package	Assembly
1	A	1144660	Drive Wheel Assembly, w/ Flat Free (14 x 3")	1	1
2		1121707	Kit, 8" Rim with Hardware (14" x 3" Wheel)	1	1
3		1101094	Screw, Socket Head w/ Patch (5/16-18 x 7/8")	1	5
4		1141342	Tire w/ Foam Fill Insert, Grey (14" x 3")	1	1
5	B	1144654	Kit, Drive Wheel Mounting Hardware (14" x 3")	1	1
6		1000180	Key (3/16 x 1-1/4")	1	1
7		1142329	Hub, Wheel	1	1
8		1036933	Washer (1/2 x 1-9/32 x 1/8")	1	1
9		1025737	Locknut (1/2-20)	1	1
10		1101094	Screw, Socket Head w/ Patch (5/16-18 x 7/8")	1	5

NOTE: A - Includes items 2-4.
B - Includes items 6-10.

ADJASBA Seat Frame, Seat Pan and Hardware (12-16" Wide x 12-18" Deep)



Seat Frame Depth Settings



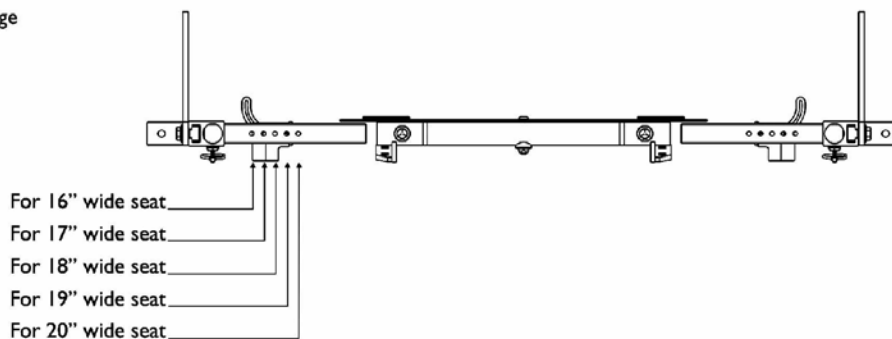
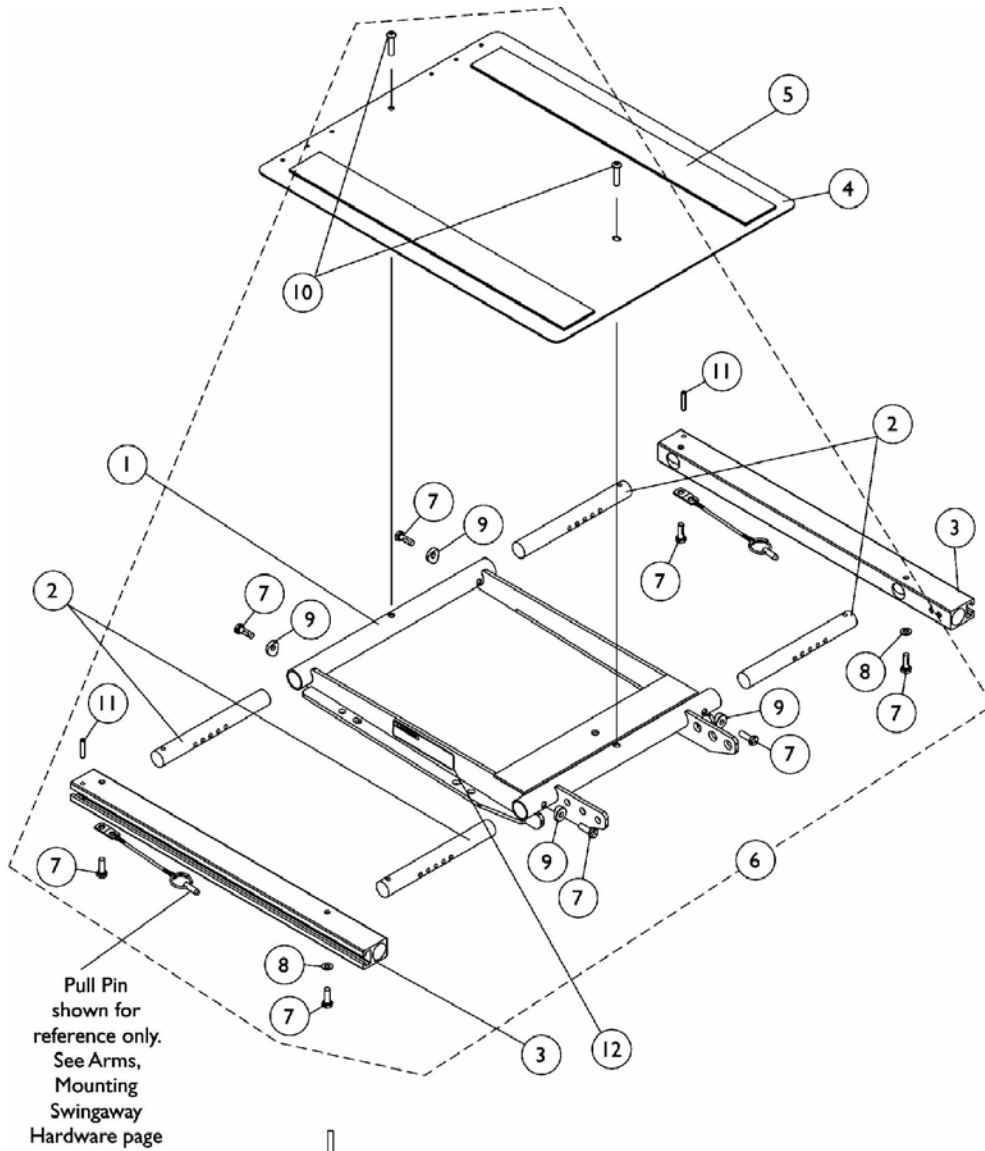
Seat Frame Width Settings

ADJASBA Seat Frame, Seat Pan and Hardware (12-16" Wide x 12-18" Deep)

Item Number	Note	Part Number	Description	Quantity Per	
				Package	Assembly
1		1121982	Frame, Center Seat, Black	1	1
2		1126126	Crossbar, Seat Frame (12 - 16" W)	1	4
3		1126127	Rail, Side (12 - 18" D)	1	2
4	A	1126144	Pan, Seat, with Hook and Loop Fasteners (12-16" W x 12-18" D)	1	1
5		1039949	Fastener, Hook Adhesive Back (2" W x 16" L)	1	4
5		1044578	Fastener, Loop Adhesive Back (2" W x 16" L)	1	4
6	B	1135500	Kit, Seat Frame Assembly Hardware 12"-16" Wide	1	1
7			Screw, Hex Head (1/4-20 x 3/4")	1	8
8			Washer (1/4 x 1/2 x 1/16")	1	4
9			Spacer, Coved (1/4 x 11/16 x 1/2")	1	4
10			Locknut (1/4-20)	1	3
11			Plug Button, Black (1")	1	2
12			Screw, Socket Button Head (1/4-20 x 1-1/2")	1	3
11		1134425	Package, Plug Button, Black (1")	10	1

NOTE: A - Includes item 5.
B - Includes items 7-12.

ADJASBA/ADJRECL Seat Frame, Seat Pan and Hardware (16-20" Wide x 16-22" Deep)



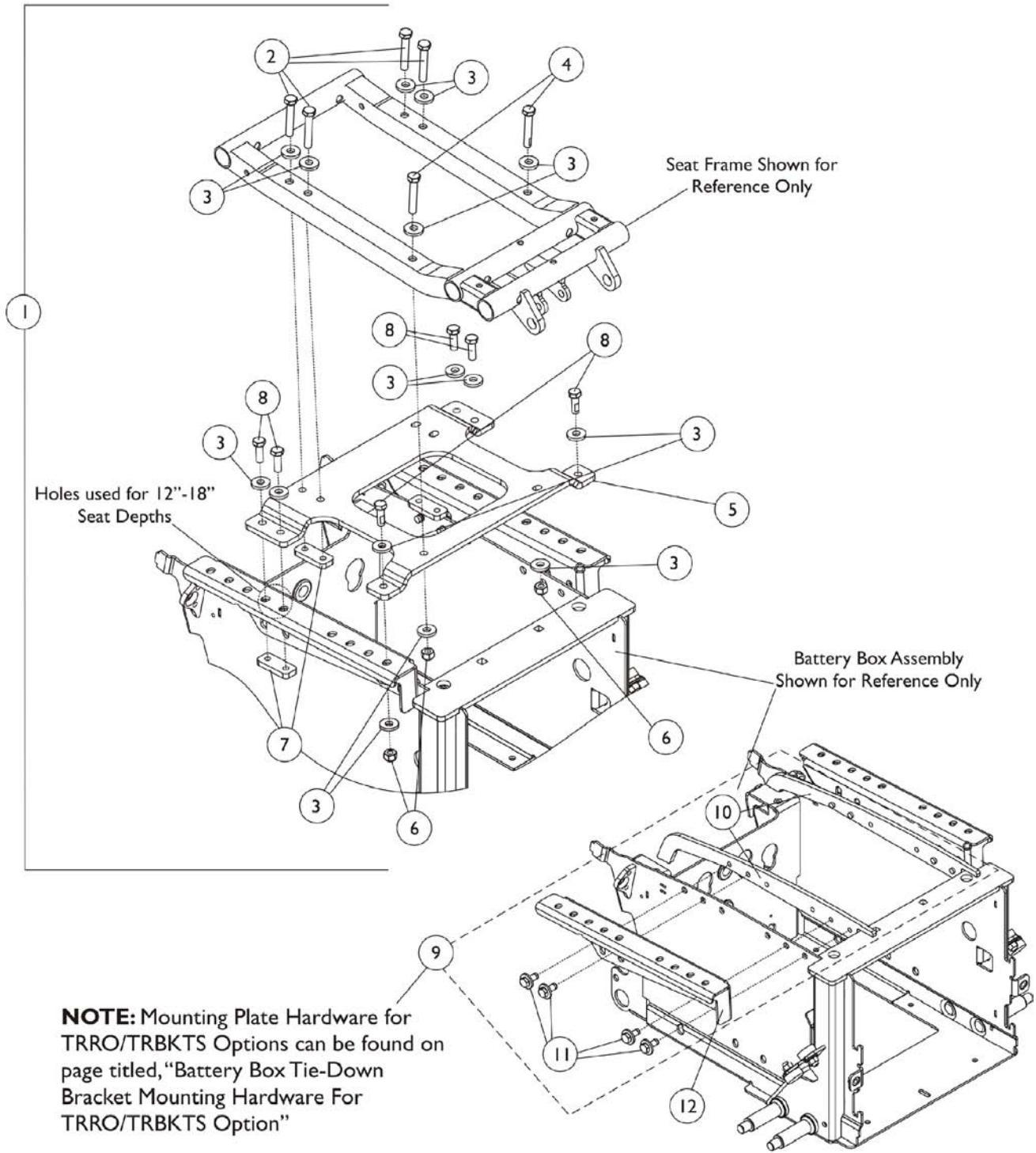
Seat Frame Width Settings

ADJASBA/ADJRECL Seat Frame, Seat Pan and Hardware (16-20" Wide x 16-22" Deep)

Item Number	Note	Part Number	Description	Quantity Per	
				Package	Assembly
1	D	1120288	Frame, Center Seat, Black	1	1
2		1122475	Crossbar, Seat Frame (16 - 20" W)	1	4
3		1122647	Rail, Seat Frame (16 - 20" D For Formula TRE and 16 - 19" D For ADJASBA)	1	2
3		1122677	Rail, Seat Frame (20 - 22" D Formula TRE) (19 - 22" D ADJASBA)	1	2
4		1124386	Pan, Seat with Hook and Loop Fasteners (16-20" W) x (16-20" D For Formula TRE) & (16-19" D For ADJASBA)	1	1
5	A	1043082	Hook Fastener with Adhesive Back (2" W x 18" L)	1	2
5	A	1044580	Loop Fastener, Adhesive (2" x 18")	1	2
5	B	1043084	Hook Fastener with Adhesive back (2" W x 22" L)	1	2
5	B	1044584	Loop Fastener, Adhesive (2" x 22")	1	2
6	C	1135501	Kit, Seat Frame Assembly Hardware	1	1
7			Screw, Hex Head (1/4-20 x 3/4")	1	8
8			Washer (1/4 x 1/2 x 1/16")	1	2
9			Spacer, Coved (1/4 x 11/16 x 1/2")	1	4
10			Screw, Socket Button Head (1/4-20 x 3/4")	1	2
11			Pin, Roll (3/16 x 1")	1	2
12		1114823	Decal, Seat Adjustment Warning	1	2

NOTE: A - Use with 16-19" Deep Seats.
 B - Use with 19-22" Deep Seats.
 C - Includes items 7-11.
 D - When ordering the Center Seat Frame, you must also order (2) Seat Adjustment Warning Decals item #12.

ADJASBA Seat Frame Mounting Hardware (12-16" Wide)

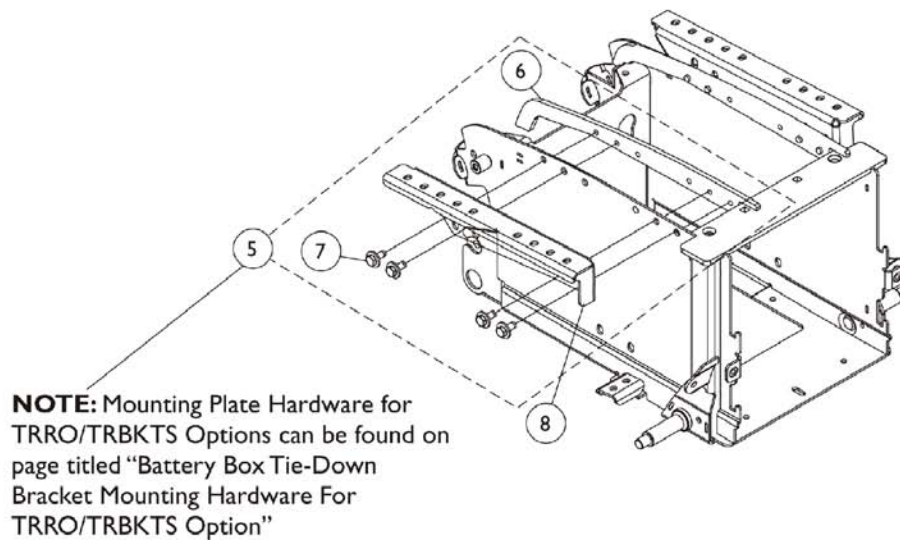
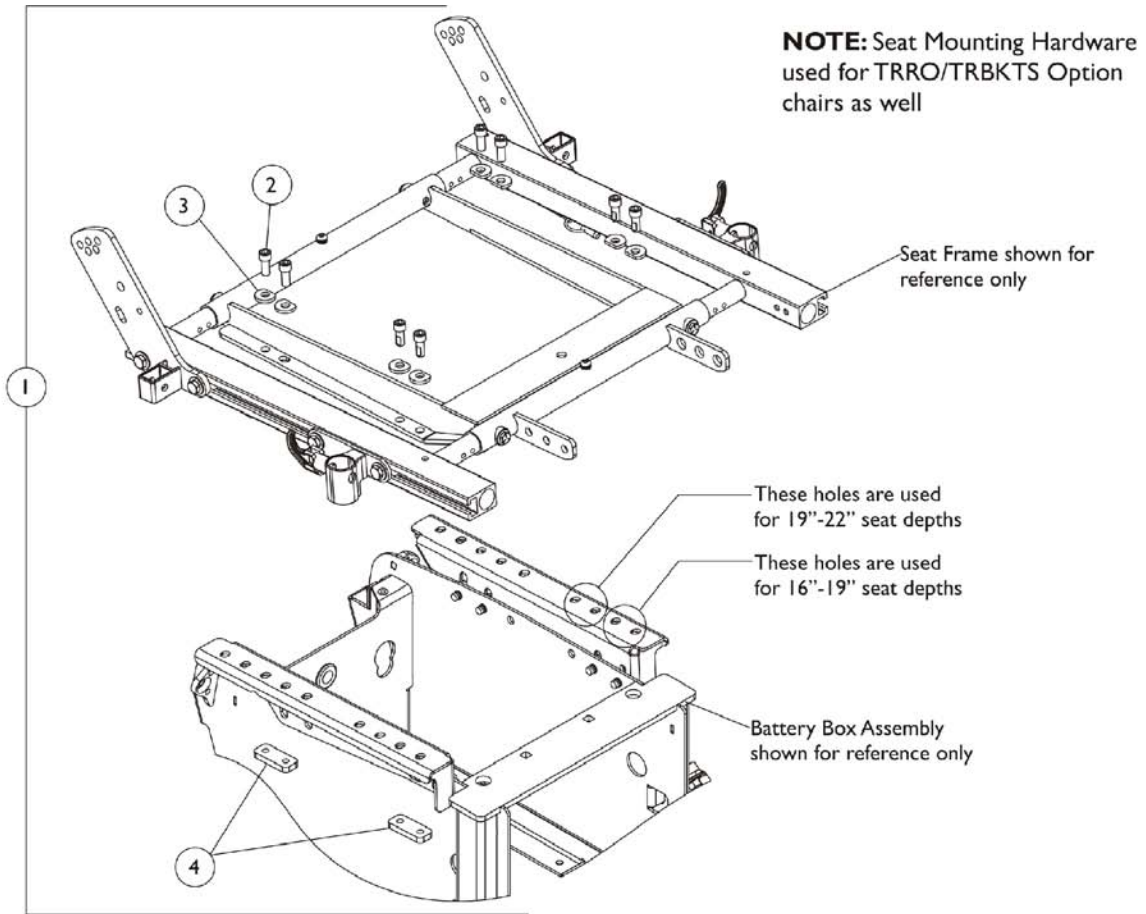


ADJASBA Seat Frame Mounting Hardware (12-16" Wide)

Item Number	Note	Part Number	Description	Quantity Per	
				Package	Assembly
1	A	1144687	Kit, Seat Frame Mtg. Hdwr. 12"-16" Wide	1	1
2			Screw, Hex Head Cap with Patch (5/16-18 x 1-3/4")	1	4
3			Washer, Flat (21/64 x 53/64 x 7/64")	1	16
4			Screw, Hex Head (5/16-18 x 2")	1	2
5			Bracket, Seat Frame Mounting, Black (12 - 16" W)	1	1
6			Locknut (5/16-18)	1	4
7			Plate, Nut (5/16-18)	1	4
8			Screw, Hex Head Cap with Patch (5/16-18 x 1")	1	6
9	B	1147130	Kit, Interface Mounting Plate Hardware	1	1
10			Plate, Nut	1	2
11			Screw, Hex Head SEMS w/ Patch (5/16-18 x 3/4")	1	8
12	C	1142298	Plate, Low Seat-To-Floor Mounting - Right	1	1
12	C	1142299	Plate, Low Seat-To-Floor Mounting - Left	1	1
12		1142300	Plate, Medium Seat-To-Floor Mounting - Right	1	1
12		1142301	Plate, Medium Seat-To-Floor Mounting - Left	1	1
12		1142302	Plate, High Seat-To-Floor Mounting - Right	1	1
12		1142303	Plate, High Seat-To-Floor Mounting - Left	1	1

NOTE: A - Includes items 2-8 and used for TRRO/TRBKTS option also.
 B - Includes items 10 and 11.
 C - When TRRO/TRBKTS option is ordered, the LOW Seat-To-Floor Mounting Plates are used. This will allow a CTMT Rigging to be attached.

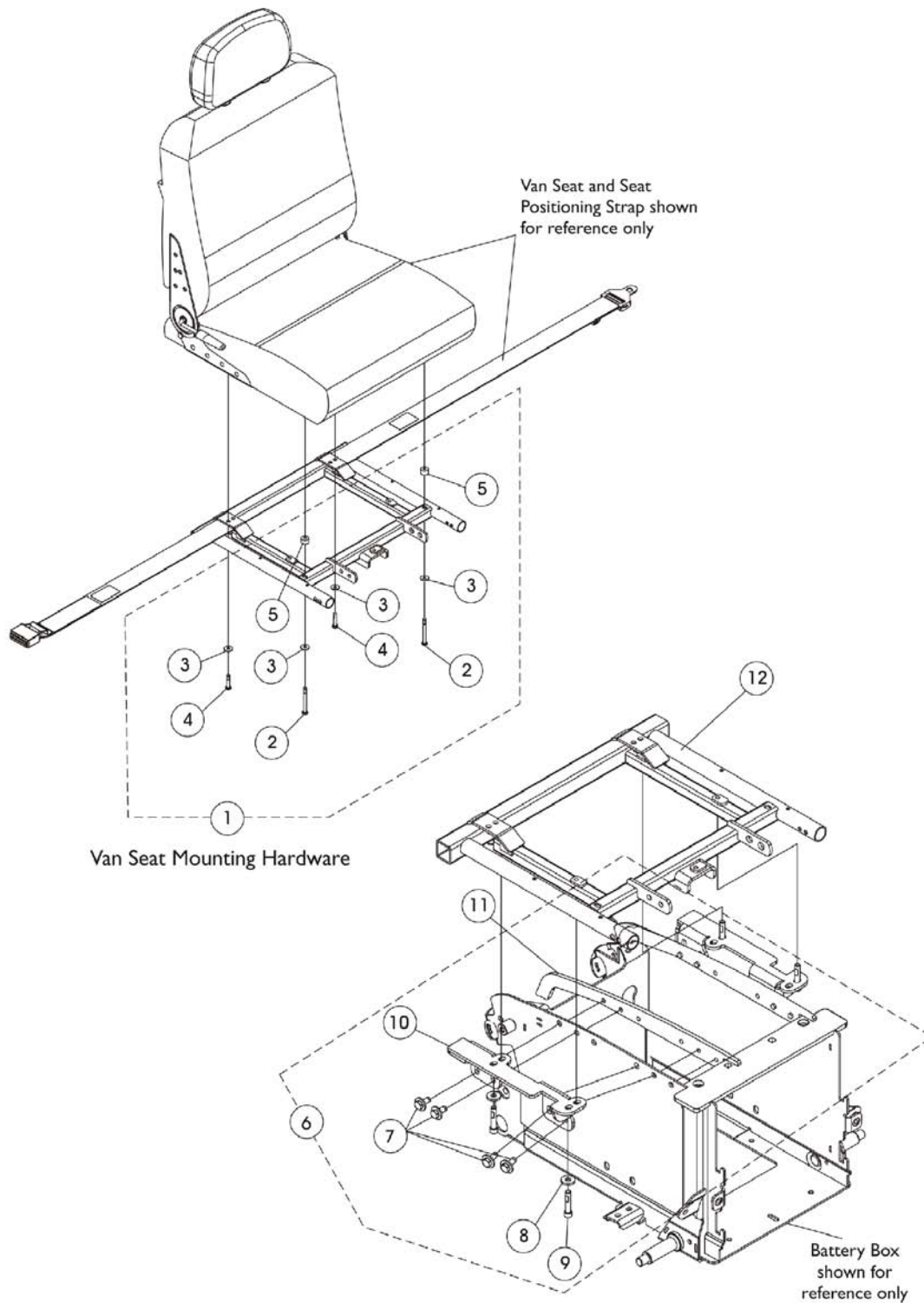
ADJASBA Seat Frame Mounting Hardware (16-22" Wide)



ADJASBA Seat Frame Mounting Hardware (16-22" Wide)

Item Number	Note	Part Number	Description	Quantity Per	
				Package	Assembly
1	A	1144686	Kit, Seat Frame Mounting Hardware	1	1
2			Screw, Socket Head (5/16-18 x 3/4")	1	8
3			Washer, Ground (11/32 x 13/16 x 1/8")	1	8
4			Plate, Nut (5/16-18)	1	4
5	B	1147130	Kit, Interface Mounting Plate Hardware	1	1
6			Plate, Nut	1	2
7			Screw, Hex Head SEMS w/ Patch (5/16-18 x 3/4")	1	8
8	C,D	1142298	Plate, Low Seat-To-Floor Mounting - Right	1	1
8	C,D	1142299	Plate, Low Seat-To-Floor Mounting - Left	1	1
8		1142300	Plate, Medium Seat-To-Floor Mounting - Right	1	1
8		1142301	Plate, Medium Seat-To-Floor Mounting - Left	1	1
8		1142302	Plate, High Seat-To-Floor Mounting - Right	1	1
8		1142303	Plate, High Seat-To-Floor Mounting - Left	1	1
<p>NOTE: A - Includes items 2-4 and used for TRRO/TRBKTS option also. B - Includes items 6 and 7. C - LOW Seat-To-Floor is used when TRRO/TRBKTS option is ordered. D - When TRRO/TRBKTS option is used, refer to page titled "Battery Box Tie-Down Bracket Mounting Hardware For TRRO/TRBKTS Option" for Mounting Plate Hardware.</p>					

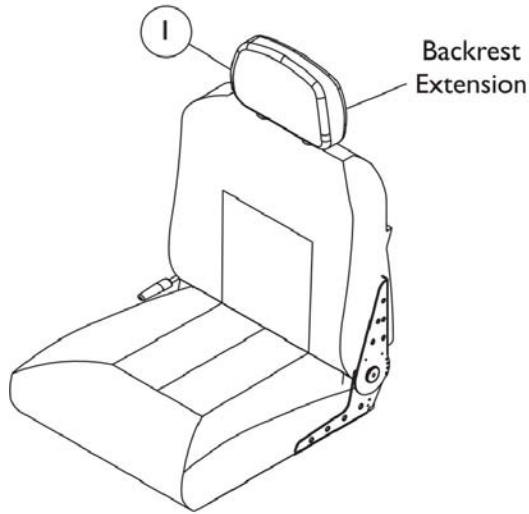
Van Seat Frame and Hardware



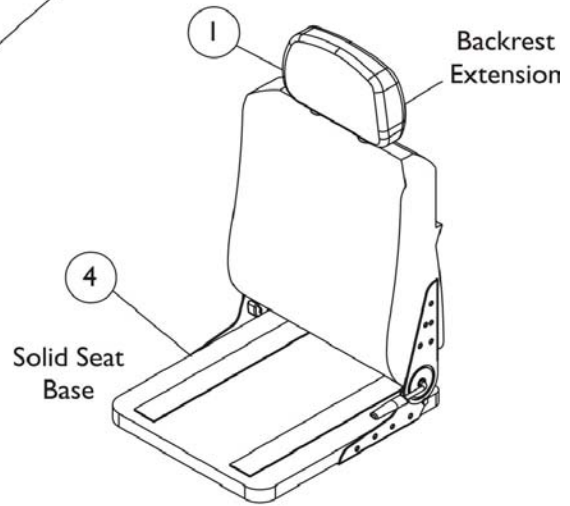
Van Seat Frame and Hardware

Item Number	Note	Part Number	Description	Quantity Per	
				Package	Assembly
1	A	1147626	Kit, Van Seat Mounting Hardware	1	1
2			Screw, Hex Head w/Patch (1/4-20 x 2-1/2")	1	2
3			Washer (1/4 x 23/32 x 1/16")	1	4
4			Screw, Hex Head (1/4-20 x 1-1/4")	1	2
5			Spacer (1/4 x 5/8 x 3/8")	1	2
6	B	1147954	Kit, Van Seat Frame Mounting Hardware (Non-Elevate)	1	1
7			Screw, Hex Head SEMS w/ Patch (5/16-18 x 3/4")	1	8
8			Washer, Flat (21/64 x 53/64 x 7/64")	1	4
9			Screw, Socket Head w/ Patch (5/16-18 x 1-1/2")	1	4
10			Bracket, Van Seat Mounting, Black - Right	1	1
10			Bracket, Van Seat Mounting, Black - Left	1	1
			Nut, Weld (5/16-18 x 1-3/8" Spacing)	1	4
11		1147131	Plate, Nut	1	2
12		1147088	Frame, Van Seat, Black (16" W)	1	1
12		1147073	Frame, Van Seat, Black (18" W)	1	1
12		1147086	Frame, Van Seat, Black (20" W)	1	1
12		1147082	Frame, Van Seat, Black (22" W)	1	1
NOTE: A - Includes items 2-5. B - Includes items 7-11.					

Van Seat Assembly



**#2 Van Seat
Semi Recline**



**#3 Van Seat
Semi Recline
w/ Solid Seat Base**

Van Seat Assembly

Item Number	Note	Part Number	Description	Quantity Per	
				Package	Assembly
1		1106969	Extension, Backrest, Van Seat, Grey Fabric	1	1
1		1108408	Extension, Backrest, Van Seat, Grey Vinyl	1	1
1		1106968	Extension, Backrest, Van Seat, Tan Vinyl	1	1
2		See Chart	#2 Van Seat (Semi-Recline) Assembly	1	1
3		See Chart	#3 Van Seat (Semi-Recline) w/ Solid Seat Base Assembly	1	1
4	A	1123384	Base, Solid, Van Seat, Grey Vinyl (16" W)	1	1
4	A	1123385	Base, Solid, Van Seat, Grey Vinyl (18" W)	1	1
4	A	1123386	Base, Solid, Van Seat, Grey Vinyl (20" W)	1	1
4	A	1123387	Base, Solid, Van Seat, Grey Vinyl (22" W)	1	1

NOTE: A - Solid Seat Base is the only item available for service parts with regard to the Van Seats. Seat Hinges are not sold separately.

#2 Van Seat (Semi-Recline) Assembly

Upholstery Type	Van Seat with Backrest 16" Wide	Van Seat with Backrest 18" Wide	Van Seat with Backrest 20" Wide	Van Seat with Backrest 22" Wide
All Grey Fabric	1123424	1109254	1109255	1109256
All Grey Vinyl	1123426	1109242	1109243	1109244
All Tan Vinyl	1123425	1109248	1109249	1109250

NOTE: Semi-recline Van Seat reclines approximately 90-114 degrees. Adjustable depths are (16, 17, 18" deep for 16 & 18" wide seats) and (18, 19, 20" deep for 20 & 22" wide seats). Recline release levers are standard on the right side. Left side release levers can be ordered as a special with a new van seat.

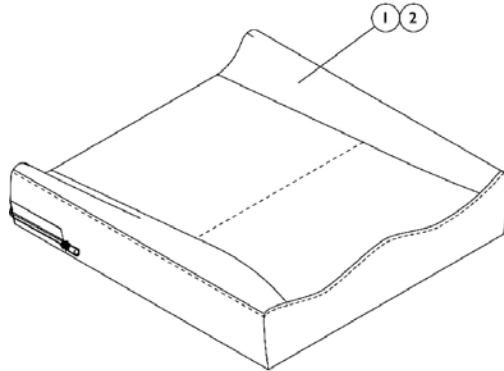
Van Seat Assembly

#3 Van Seat (Semi-Recline) w/ Solid Seat Base Assembly

Upholstery Type	Van Seat w/ Solid Seat and Backrest 16" Wide	Van Seat w/ Solid Seat and Backrest 18" Wide	Van Seat w/ Solid Seat and Backrest 20" Wide	Van Seat w/ Solid Seat and Backrest 22" Wide
All Grey Fabric	N/A	N/A	N/A	N/A
All Grey Vinyl	1123429	1123428	1123427	1123430
All Tan Vinyl	N/A	N/A	N/A	N/A

NOTE: Semi-recline Van Seat reclines approximately 90-114 degrees. Adjustable depths are (16, 17, 18" deep for 16 & 18" wide seats) and (18, 19, 20" deep for 20 & 22" wide seats). Recline release levers are standard on the right side. Left side release levers can be ordered as a special with a new van seat.

Seat Cushion Assembly ADJASBA Only



#1 Contoura Seat Cushion Assembly

Chair Width	16" Deep	17" Deep	18" Deep	19" Deep	20" Deep	21" Deep	22" Deep
16" W	1132982 See Note(s) A	1132983 See Note(s) A	1132984 See Note(s) A	1132985 See Note(s) A	1132986 See Note(s) A	N/A	N/A
18" W	1132987 See Note(s) A	1132988 See Note(s) A	1132989 See Note(s) A	1132990 See Note(s) A	1132991 See Note(s) A	N/A	N/A
20" W	1132992 See Note(s) A	1132993 See Note(s) A	1132994 See Note(s) A	1132995 See Note(s) A	1132996 See Note(s) A	1132997 See Note(s) A	1132998 See Note(s) A
22" W	N/A	N/A	1132999 See Note(s) A	1133000 See Note(s) A	1133001 See Note(s) A	1133002 See Note(s) A	1133003 See Note(s) A
24" W	N/A	N/A	1133004 See Note(s) A	1133005 See Note(s) A	1133006 See Note(s) A	1133007 See Note(s) A	1133008 See Note(s) A

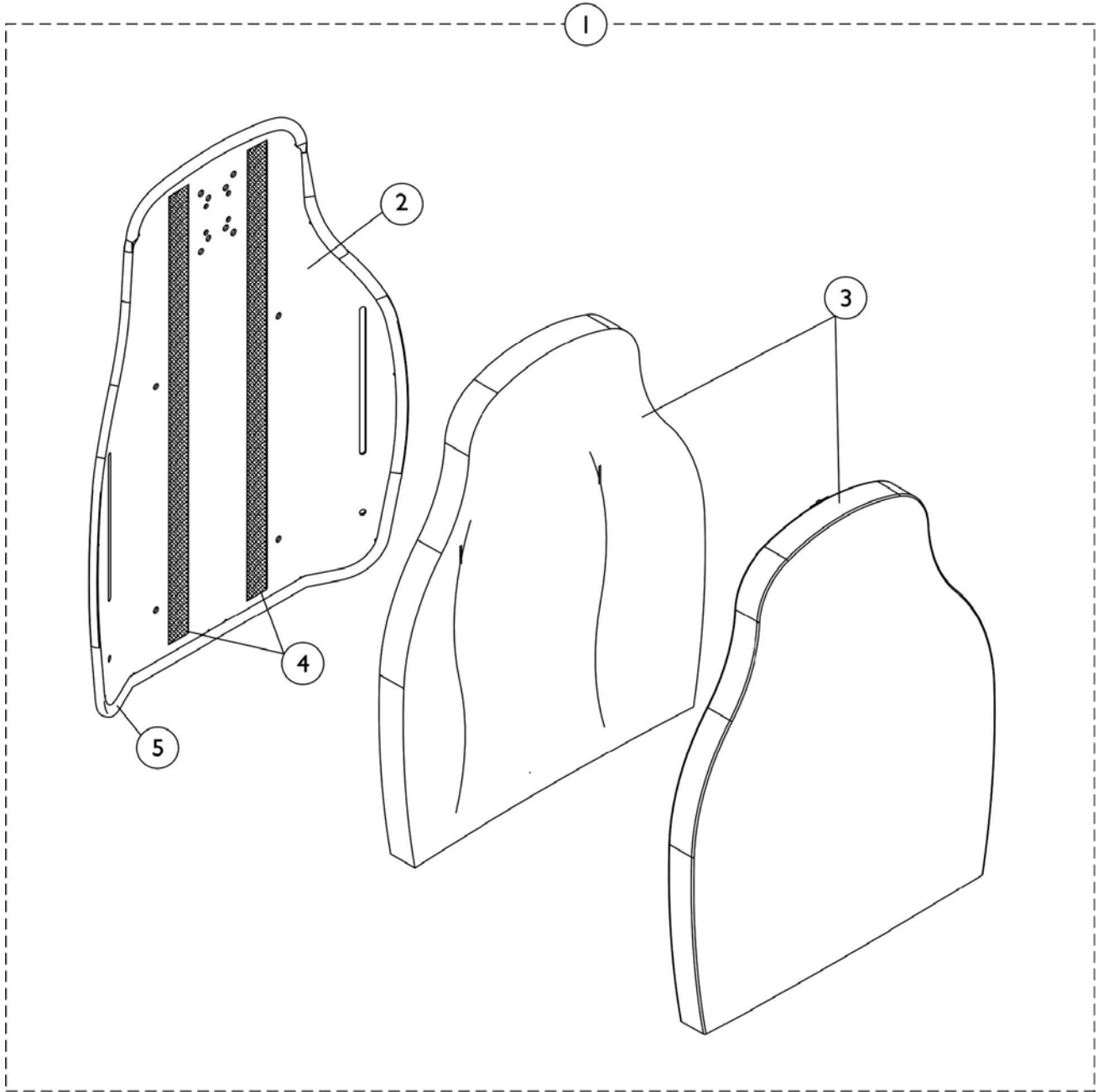
NOTE: A - Cushion Foam is not available separately.

#2 Contoura Seat Cushion Cover

Chair Width	16" Deep	17" Deep	18" Deep	19" Deep	20" Deep	21" Deep	22" Deep
16" W	1132953	1132954	1132955	1132956	1132957	N/A	N/A
18" W	1132958	1132959	1132960	1132961	1132962	N/A	N/A
20" W	1132963	1132964	1132965	1132966	1132967	1132968	1132969
22" W	N/A	N/A	1132970	1132971	1132972	1132973	1132974
24" W	N/A	N/A	1132975	1132976	1132977	1132978	1132979

Contoura Back without Mounting Hardware

ADJASBA Only



Contoura Back without Mounting Hardware ADJASBA Only

#1 Back Assembly without Hardware 16", 18", 20", 22" Wide

Overall Back Height	Material Back Height	16" Wide	18" Wide	20" Wide	22" Wide
25"	20"	1132828	1132829	1132830	1132831
29.5"	24"	1132825	1124733	1124734	1132826

#2 Back Pan with Vinyl Edge Trim 16", 18", 20", 22" Wide

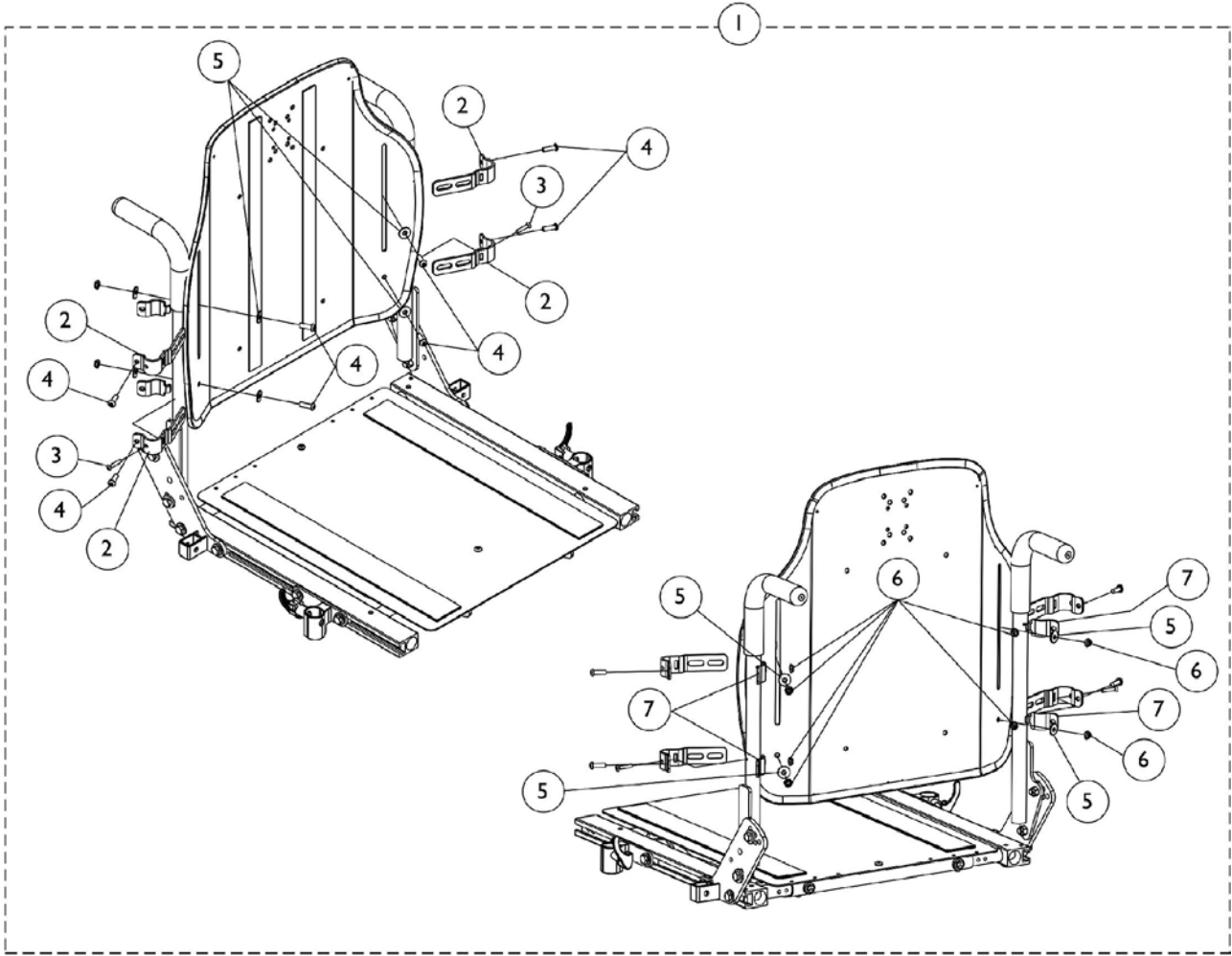
Overall Back Height	Material Back Height	16" Wide	18" Wide	20" Wide	22" Wide
25"	20"	1131405	1131406	1131407	1131408
29.5"	24"	1131410	1122454	1122453	1131411

#3 Back Cushion Assembly 16", 18", 20", 22" Wide

Overall Back Height	Material Back Height	16" Wide	18" Wide	20" Wide	22" Wide
25"	20"	1132820	1132821	1132822	1132823
29.5"	24"	1132817	1125641	1125642	1132818

Item Number	Note	Part Number	Description	Quantity Per	
				Package	Assembly
1		See Chart	#1 Back Assembly without Hardware 16", 18", 20", 22", 24" Wide	1	1
2		See Chart	#2 Back Pan with Vinyl Edge Trim 16", 18", 20", 22", 24" Wide	1	1
3		See Chart	#3 Back Cushion Assembly 16", 18", 20", 22", 24" Wide	1	1
4		1125725	Hook Fastener w/ Adhesive Back (1" W x 48" L)	1	1
5		1125724	Trim, Edge, Cut-To-Length, Vinyl Black (96" L)	1	1

Contoura Back Mounting Hardware ADJASBA Only

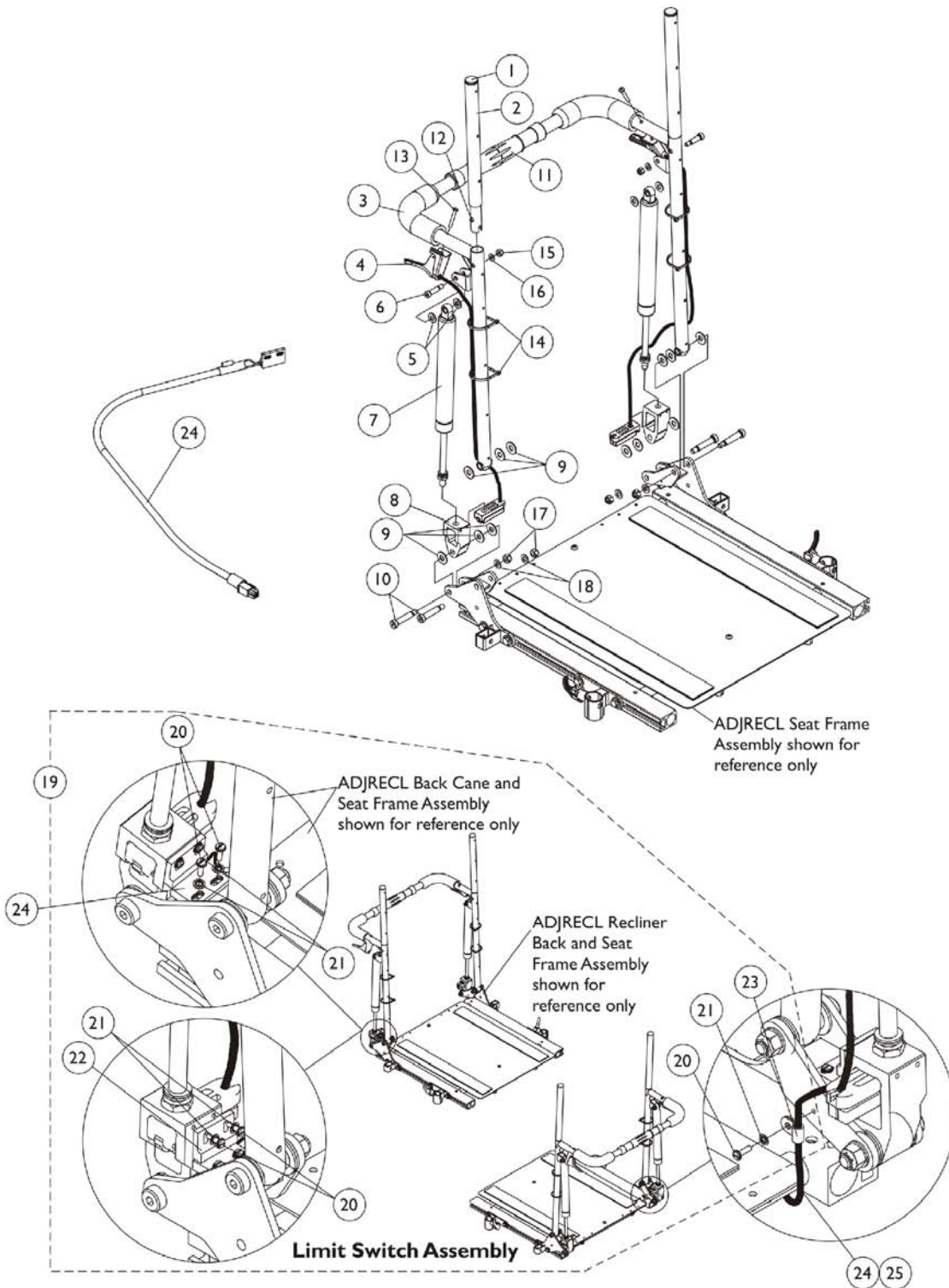


Contoura Back Mounting Hardware ADJASBA Only

Item Number	Note	Part Number	Description	Quantity Per	
				Package	Assembly
1	A	1140945	Kit, Contoura Back Mounting Hdwr. - Round Canes	1	1
2			Bracket, Back Mounting, Front, Black	1	4
3			Screw, Phillips Oval Head Countersunk (#10-16 x 7/8")	1	2
4			Screw, Socket Button Head (1/4-20 x 3/4")	1	8
5			Washer (1/4 x 23/32 x 1/16")	1	8
6			Locknut (1/4-20)	1	8
7			Bracket, Back Mounting, Rear, Black	1	4

NOTE: A - Includes items 2-7.

Recliner Back Assembly ADJRECL Seat Frames



Recliner Back Assembly

ADJRECL Seat Frames

#3 Back Cane with Grip

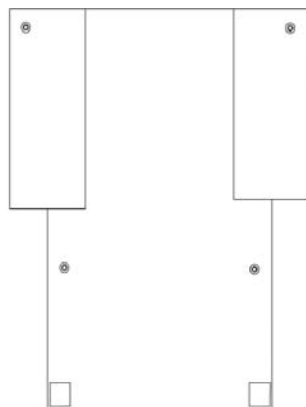
Back Height	16"-17" Wide Right	16"-17" Wide Left	18"-22" Wide Right	18"-22" Wide Left
18" H	1052079	1052080	1052089	1052090
20" H	1052081	1052082	1052091	1052092
22" H	1052083	1052084	1052093	1052094
24" H	1052085	1052086	1052095	1052096
26" H	1052087	1052088	1052097	1052098

Recliner Back Assembly ADJRECL Seat Frames

Item Number	Note	Part Number	Description	Quantity Per	
				Package	Assembly
1		1027095	Plug Button, Black (7/8")	1	2
2		1052997	Tube, Headrest with Plug Button, without Snap Buttons - Right	1	1
2		1052998	Tube, Headrest with Plug Button, without Snap Buttons - Left	1	1
3		See Chart	#3 Back Cane with Grip	1	1
4	B	1050216	Cable with Trigger	1	2
4	C	1050215	Cable with Trigger	1	2
4	D	1050214	Cable with Trigger	1	2
5		1026032	Washer, Nylon (11/32 x 11/16 x 1/16")	1	4
6		1050153	Screw, Shoulder Hex Socket Head (5/16 x 7/8", 1/4-20)	1	2
7		1050306	Cylinder, Lock	1	2
8		1050136	Pivot, Block	1	2
9		1012371	Washer, Nylon (3/8 x 7/8 x 1/16")	1	12
10		1031665	Screw, Shoulder Hex Socket Head (3/8 x 1-1/2", 5/16-18)	1	4
11	F	1050293	Bar, Spreader, Black (14-20" W)	1	1
11	G	1050294	Bar, Spreader, Black (21-24" W)	1	1
12		1024713	Spring, Torsion w/ Button	1	2
13		1091417	Screw, Phillips Pan Head (#10-24 x 1-1/4")	1	2
14		1095503	Package, Cable Tie (5-5/8" L)	10	1
15		1025736	Locknut (1/4-20)	1	2
16		1026907	Washer (1/4 x 1/2 x 1/16")	1	2
17		1026158	Locknut (5/16-18)	1	4
18		1025704	Washer, Flat (5/16 x 5/8 x 1/16")	1	4
19	A	1134498	Kit, Limit Switch Assembly	1	1
20			Screw, Slotted Hex Head (#4-3/8")	1	5
21			Washer, Internal Tooth Lock (#4-40)	1	5
22			Sensor, Actuator Switch	1	1
23			Clamp, Cable	1	1
24	E	1146573	Cable, Drive Lockout Sensor, MK6i	1	1

NOTE: A - Includes items 20-23. Cable sensor is not included, see item 24.
 B - For use with 18-20" high back canes.
 C - For use with 22-24" high back canes.
 D - For use with 26" high back canes.
 E - Drive Lockout Sensor Cable used for chairs manufactured with MK6i electronics only.
 F - 16-17" wide.
 G - 18-22" wide.

Back Upholstery - Nylon



Single Liners

Width	12"-13" High	14"-15" High	16"-17" High	18"-19" High	20" High	21"-22" High
12" W	1045221	1045222	1045257	1045258	N/A	N/A
13" W	1045223	1045224	1045259	1045260	N/A	N/A
14" W	1049939	1049942	1045173	1045205	1068945	1045157
15" W	1049940	1049943	1045174	1045206	1068946	1045158
16" W	1049941	1045175	8881045175	1045207	1068947	1045159
17" W	N/A	1049945	1045176	1045208	1068948	1045160
18" W	N/A	1049946	1045177	1045209	1068949	1045161

Back Upholstery - Nylon

Dual Liners

Width	16"-17" High	18" - 19" High	20" High	21" - 22" High
14" W	1045178	1045210	1068950	1045162
15" W	1045179	1045211	1068951	1045163
16" W	1045180	1045212	1068952	1045164
17" W	1045181	1045213	1068953	1045165
18" W	1045182	1045214	1068954	1045166
19" W	1045183	1045215	1068955	1045167
20" W	1045184	1045216	1068956	1045168
21" W	1045185	1045217	1068957	1045169
22" W	1045186	1045218	1068958	1045170

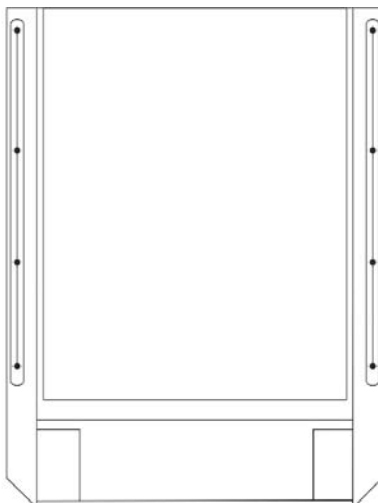
NOTE: Dual liner back upholstery is used with chairs that have a seat deeper than 17" or back wider than 18".

Back Upholstery Hardware

Item Number	Note	Part Number	Description	Quantity Per	
				Package	Assembly
	A	1026298	Package, Screws with Washers (#10 x 7/8")	2	1
	A	See Chart	Dual Liners - Nylon	1	1
	A	See Chart	Single Liners	1	1

NOTE: A - Not Shown.

Back Upholstery - Nylon Recliner



Single Liners

Width	18" High	20" High	22" High	24" High	26" High
16" W	1050314	1050319	1050324	1050329	1050334
17" W	1050315	1050320	1050325	1050330	1050335
18" W	1050316	1050321	1050326	1050331	1050336

Dual Liners

Width	18" High	20" High	22" High	24" High	26" High
16" W	1050339	1050350	1050361	1050372	1050383
17" W	1050340	1050351	1050362	1050373	1050384
18" W	1050341	1050352	1050363	1050374	1050385
19" W	1050342	1050353	1050364	1050375	1050386
20" W	1050343	1050354	1050365	1050376	1050387
21" W	1050344	1050355	1050366	1050377	1050388
22" W	1050345	1050356	1050367	1050378	1050389

NOTE: Dual liner back upholstery is used with chairs that have a seat deeper than 17" or back wider than 18."

Back Upholstery - Nylon Recliner

Back Upholstery Hardware	1027059
Consists of:	
10 each	Screw with Washer (#10 x 7/8")

Headrest Upholstery and Pillows

Recliner

Nylon Headrest

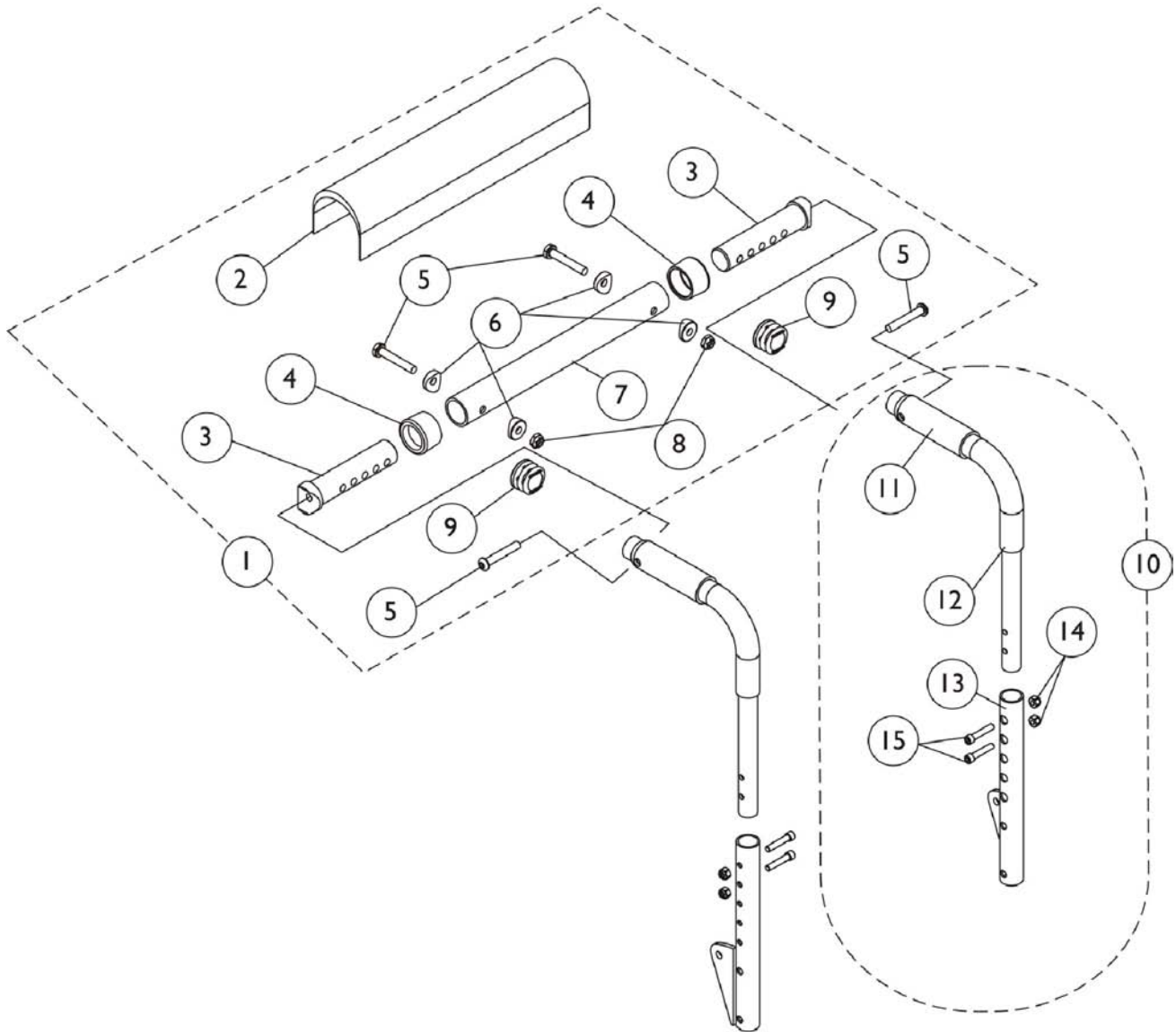
Chair Width	Part Number
16" W	1054628
17" W	1055281
18" W	1054629
19" W	1055282
20" W	1055283
21" W	1055284
22" W	1055285

Back Upholstery Hardware	1030441
Consists of:	
6 each	Screw with Washer (10 x 7/8")

Headrest Pillows - Nylon

Chair Width	16"-18" W	19"-22" W
Part Number	1054896	1054598

Back Canes and Spreader Bars For ADJASBA Seats (12-16" Wide)



Back Canes and Spreader Bars For ADJASBA Seats (12-16" Wide)

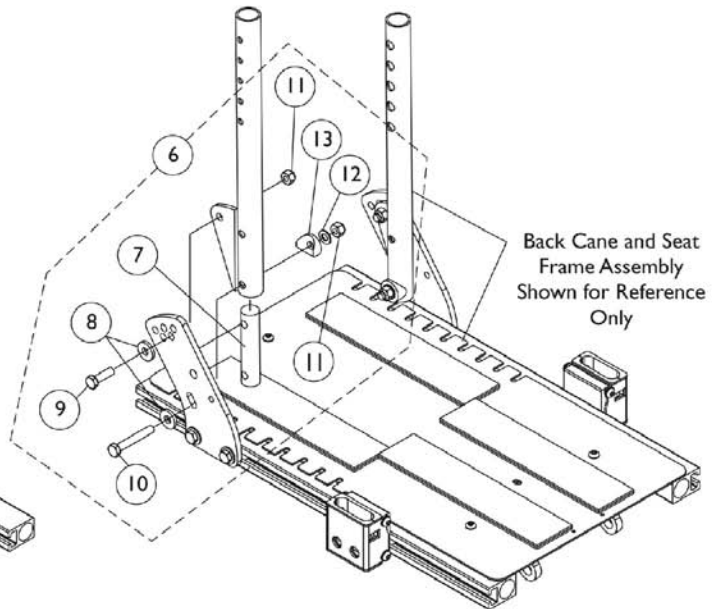
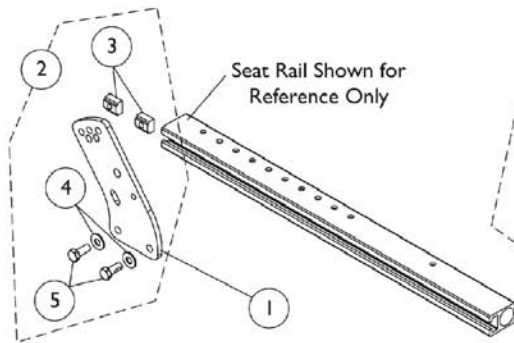
Item Number	Note	Part Number	Description	Quantity Per	
				Package	Assembly
1	A	1126147	Kit, Spreader Bar Assembly (12"-16" Wide)	1	1
2			Cover, Spreader Bar (16-20" W)	1	1
3			Insert, Spreader Bar Connector, Black	1	2
4			Anti-Rattle (1")	1	2
5			Screw, Socket Button Head (1/4-20 x 1-1/2")	1	4
6			Spacer, Coved (1/4 x 11/16 x 1/2")	1	4
7			Tube, Spreader Bar, Black	1	1
8			Locknut (1/4-20)	1	2
9			Plug Button, Black (1")	1	2
10	B	1152733	Kit, Back Cane Assembly with Hardware (12"-15" Back Height) - Right	1	1
11			Grip, Hand, Foam (4")	1	1
12			Handle, Push, Black	1	1
13			Cane, Back, Lower, Black - Right (12-15" H)	1	1
14			Screw, Socket Head (1/4-20 x 1-1/4")	1	2
15			Locknut (1/4-20)	1	2
10	B	1152735	Kit, Back Cane Assembly with Hardware (16"-19" Back Height) - Right	1	1
11			Grip, Hand, Foam (4")	1	1
12			Handle, Push, Black	1	1
13			Cane, Back, Lower, Black - Right (16-19" H)	1	1
14			Screw, Socket Head (1/4-20 x 1-1/4")	1	2
15			Locknut (1/4-20)	1	2
10	B	1152737	Kit, Back Cane Assembly with Hardware (20"-22" Back Height) - Right	1	1
11			Grip, Hand, Foam (4")	1	1
12			Handle, Push, Black	1	1
13			Cane, Back, Lower, Black - Right (20 - 22" H)	1	1
14			Screw, Socket Head (1/4-20 x 1-1/4")	1	2
15			Locknut (1/4-20)	1	2
11		1135505	Package, Foam Hand Grip (4" L)	10	1

NOTE: A - Includes items 2-9.
B - Includes items 11-15.

Back Cane Attaching Hardware

ADJASBA Seats without TRRO Option (12-16" Wide)

**Back Cane Bracket Mounting Hardware
without TRRO Option**



**Back Cane Mounting Hardware
without TRRO Option**

Back Cane Attaching Hardware

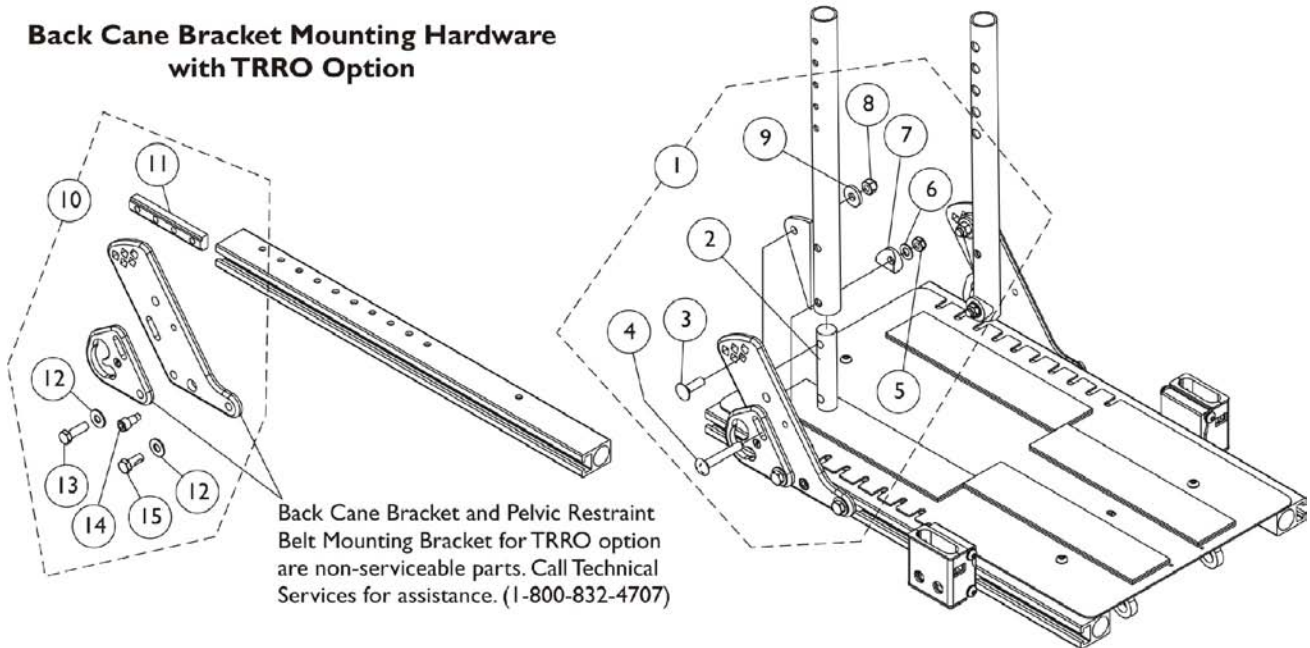
ADJASBA Seats without TRRO Option (12-16" Wide)

Item Number	Note	Part Number	Description	Quantity Per	
				Package	Assembly
1		1146452	Bracket, Back Cane Mounting, Black	1	1
2	A	1154110	Kit, Back Cane Bracket Mounting Hardware	1	1
3			T-Nut (5/16-18)	1	2
4			Washer (5/16 x 3/4 x 1/16")	1	2
5			Screw, Hex Head Cap with Patch (5/16-18 x 3/4")	1	2
6	B	1147973	Kit, Back Cane Mounting Hardware (Pair)	1	1
7			Insert, Back Cane	1	2
8			Washer, Flat (21/64 x 53/64 x 7/64")	1	4
9			Screw, Hex Head Cap (5/16-18 x 1")	1	2
10			Screw, Hex Head (5/16-18 x 2")	1	2
11			Locknut (5/16-18)	1	4
12			Washer, Flat (5/16 x 5/8 x 1/16")	1	2
13			Spacer, Coved (3/4 x 1 x 1/2")	1	2
NOTE: A - Includes items 3-5. B - Includes items 7-13.					

Back Cane Attaching Hardware

ADJASBA Seats with TRRO Option (12-16" W x 12-18" D)

**Back Cane Bracket Mounting Hardware
with TRRO Option**



**Back Cane Mounting Hardware
with TRRO Option**

Back Cane Attaching Hardware

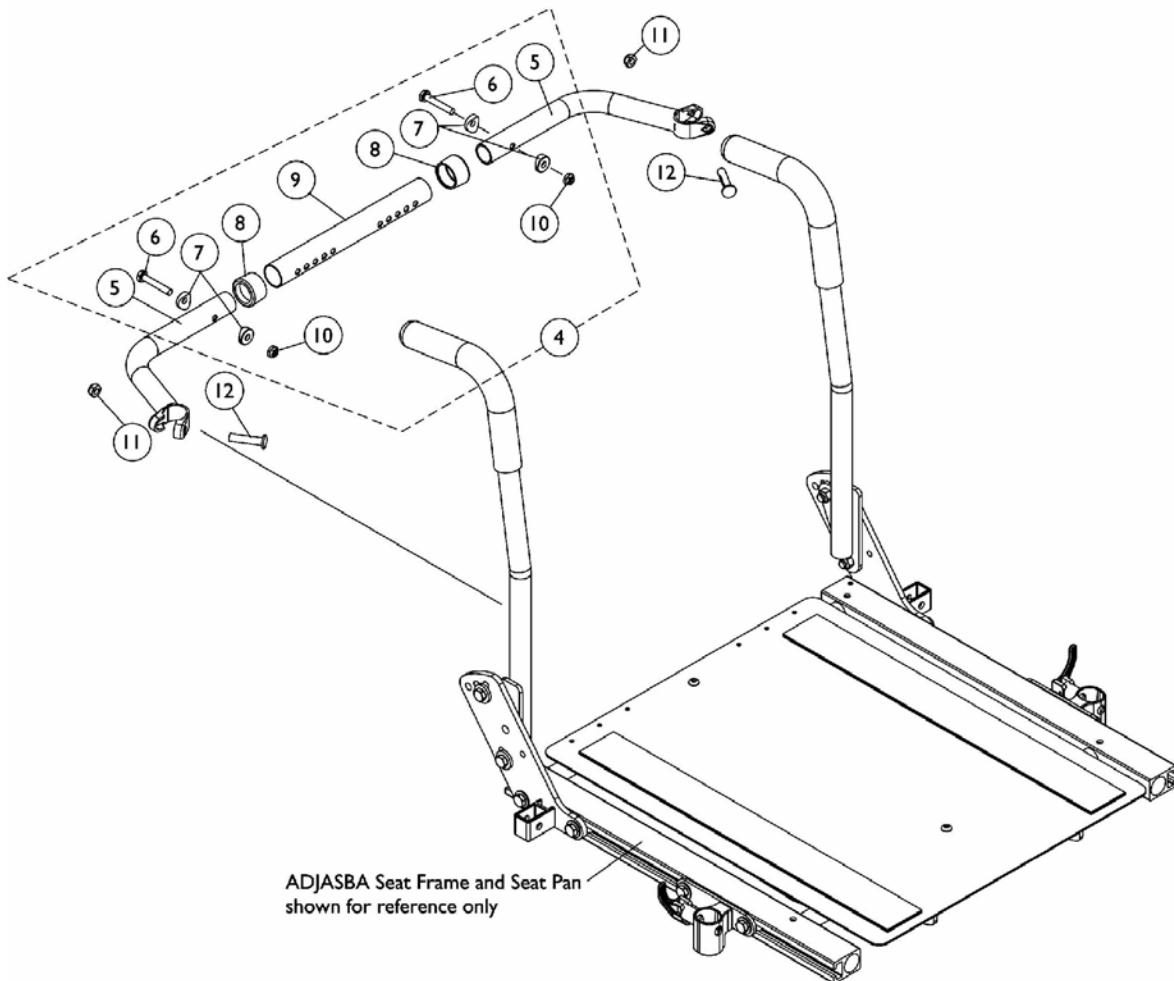
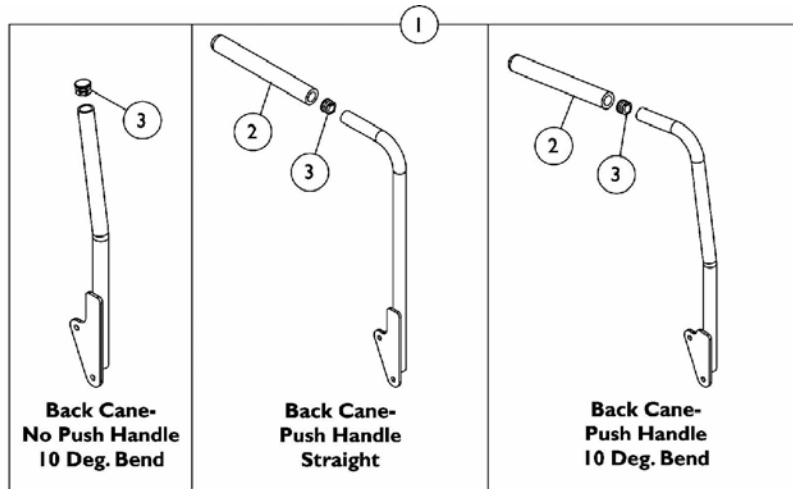
ADJASBA Seats with TRRO Option (12-16" W x 12-18" D)

Item Number	Note	Part Number	Description	Quantity Per	
				Package	Assembly
1	A	1147968	Kit, Back Cane Mounting Hardware TRRO (Pair)	1	1
2			Insert, Back Cane	1	2
3			Bolt, Round Head Square Neck (5/16-18 x 1")	1	2
4			Screw, Round Head Square Neck (5/16-18 x 2")	1	2
5			Locknut (5/16-18)	1	2
6			Washer, Flat (5/16 x 5/8 x 1/16")	1	2
7			Spacer, Coved (3/4 x 1 x 1/2")	1	2
8			Locknut (5/16-18)	1	2
9			Washer, Flat (21/64 x 53/64 x 7/64")	1	2
10	B	1154111	Kit, Back Cane Bracket Mounting Hardware TRRO	1	1
11			T-Nut (5/16-18)	1	1
12			Washer (5/16 x 3/4 x 1/16")	1	2
13			Screw, Hex Head Cap with Patch (5/16-18 x 1")	1	1
14			Screw, Socket Head (5/16-18 x 3/4")	1	1
15			Screw, Hex Head Cap with Patch (5/16-18 x 3/4")	1	1
NOTE: A - Includes items 2-9. B - Includes items 11-15.					

Back Canes and Spreader Bars

ADJASBA Seats (16-22" Wide)

Contoura Backs for ADJASBA Seating do not utilize a Spreader Bar Assembly.



Back Canes and Spreader Bars ADJASBA Seats (16-22" Wide)

Contoura Backs for ADJASBA Seating do not utilize a Spreader Bar Assembly.

Item Number	Note	Part Number	Description	Quantity Per	
				Package	Assembly
1		See Chart	#1 Back Cane Assemblies	1	1
2		1135506	Package, Foam Hand Grip (9" L)	10	1
3		1134426	Package, Plug Button, Black (3/4")	10	1
4	A	1125709	Kit, Spreader Bar Assembly (16"-20" Wide)	1	1
5			Handle, Spreader Bar, Black	1	2
6			Screw, Hex Head (1/4-20 x 1-1/2")	1	2
7			Spacer, Coved (1/4 x 11/16 x 1/2")	1	4
8			Anti-Rattle (1")	1	2
9			Tube, Spreader Bar Adjustable, Black (16" - 20" W)	1	1
10			Locknut (1/4-20)	1	2
4	A	1125710	Kit, Spreader Bar Assembly 20"-24" Wide	1	1
5			Handle, Spreader Bar, Black	1	2
6			Screw, Hex Head (1/4-20 x 1-1/2")	1	2
7			Spacer, Coved (1/4 x 11/16 x 1/2")	1	4
8			Anti-Rattle (1")	1	2
9			Tube, Spreader Bar Adjustable, Black (20 - 24" W)	1	1
10			Locknut (1/4-20)	1	2
11		1025730-NLA	Locknut (5/16-24)	1	2
12		1031026	Screw w/ Lug (5/16-24 x 1-3/8")	1	2

NOTE: A - Includes items 5-10.

#1 Back Cane Assemblies

Back Height	Back Cane- No Push Handle 10 Deg. Bend Right	Back Cane- No Push Handle 10 Deg. Bend Left	Back Cane- Push Handle Straight Right	Back Cane- Push Handle Straight Left	Back Cane- Push Handle 10 Deg. Bend Right	Back Cane- Push Handle 10 Deg. Bend Left
12"	1134058	1134059	1133785	1133786	1133814	1133815
13"	1134060	1134061	1133787	1133788	1133816	1133817
14"	1134062	1134063	1133789	1133790	1133818	1133819
15"	1134064	1134065	1133791	1133792	1133820	1133821
16"	1134066	1134067	1133793	1133794	1133822	1133823
17"	1134068	1134069	1133795	1133796	1133824	1133825
18"	1134070	1134071	1143334 See Note(s) B	1143335 See Note(s) B	1133826	1133827
19"	1134072	1134073	1133799	1133800	1133828	1133829
20"	1134074	1134075	1133801	1133802	1133830	1133831
21"	1134076	1134077	1136011 See Note(s) A	1136012 See Note(s) A	1133832	1133833
22"	1134078	1134079	1136013	1136014	1133834	1133835

Back Canes and Spreader Bars

ADJASBA Seats (16-22" Wide)

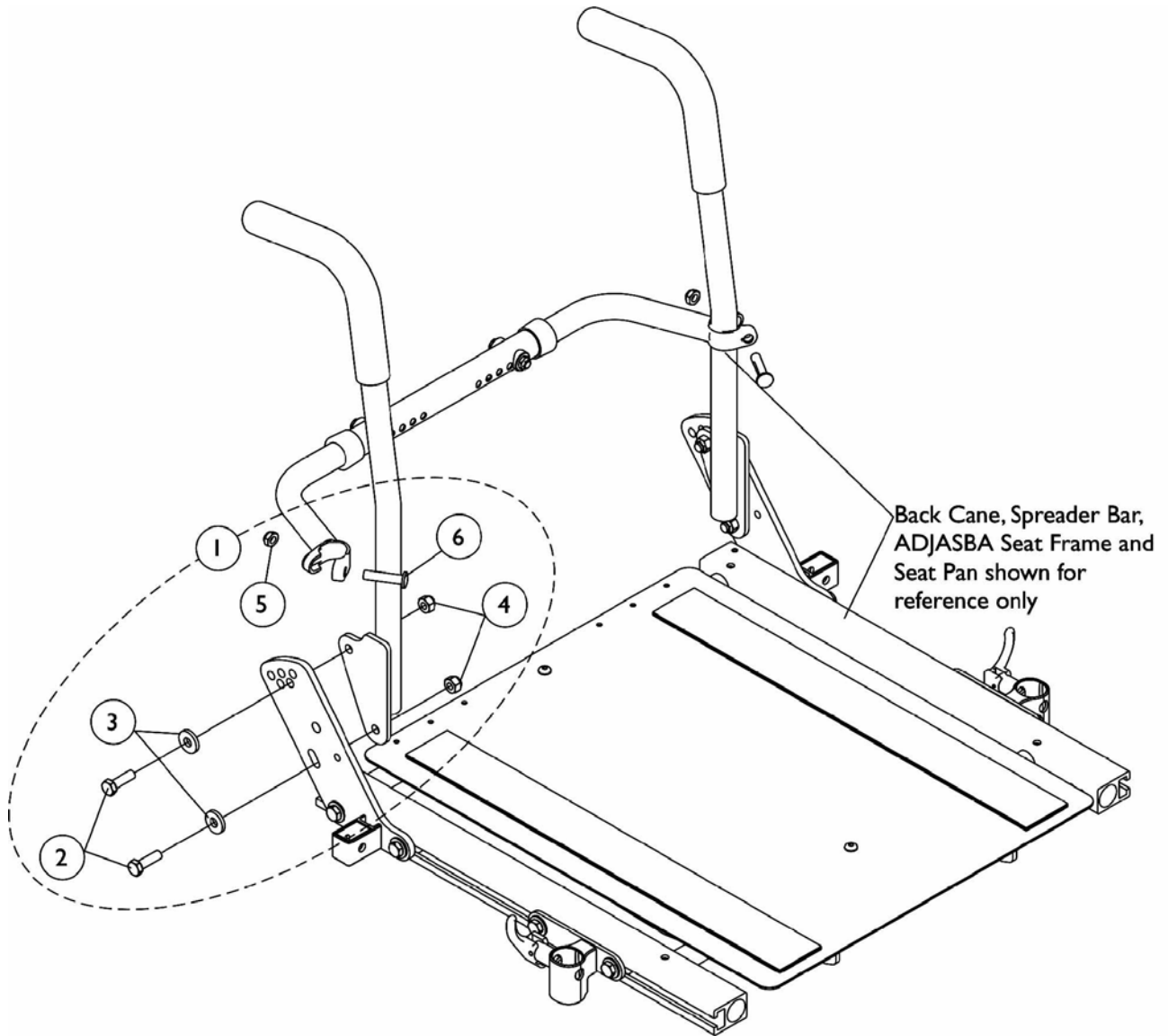
Contoura Backs for ADJASBA Seating do not utilize a Spreader Bar Assembly.

#1 Back Cane Assemblies

Back Height	Back Cane- No Push Handle 10 Deg. Bend Right	Back Cane- No Push Handle 10 Deg. Bend Left	Back Cane- Push Handle Straight Right	Back Cane- Push Handle Straight Left	Back Cane- Push Handle 10 Deg. Bend Right	Back Cane- Push Handle 10 Deg. Bend Left
23"	1134080	1134081	1136015 See Note(s) A	1136016 See Note(s) A	1133837	1133838
24"	1134082	1134083	1136017 See Note(s) A	1136018 See Note(s) A	1133839	1133840
NOTE: A - 21"-22" High Straight Back Canes with Push Handles are only offered On-Chair when the Back Upholstery is omitted. B - Chairs with Contoura Backs use 18" high back canes only. NOTE: Back Cane Assemblies include Foam Grips and Plug Buttons where shown.						

Back Cane Attaching Hardware

ADJASBA Seats (16-24" W)



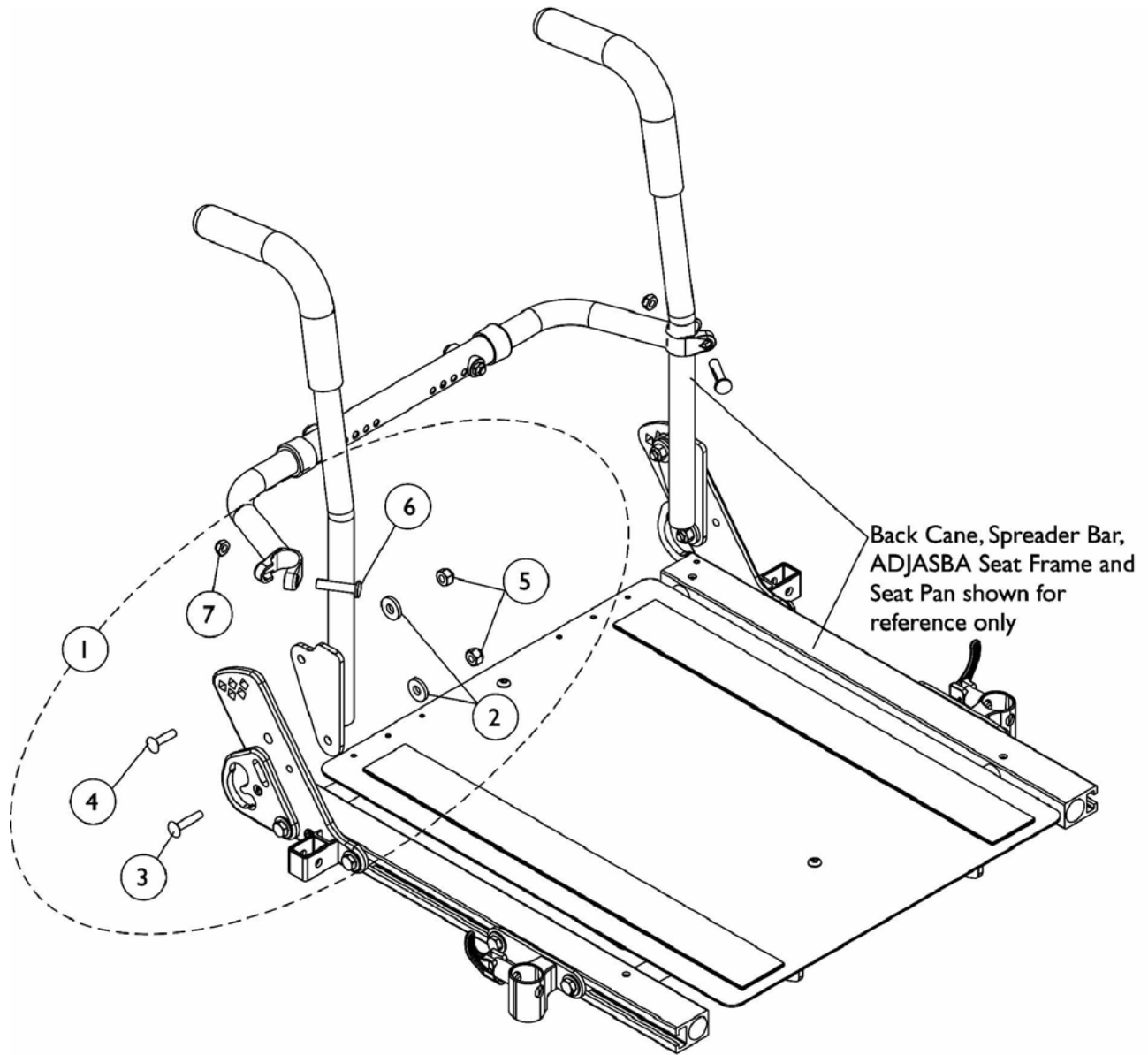
Back Cane Attaching Hardware ADJASBA Seats (16-24" W)

Item Number	Note	Part Number	Description	Quantity Per	
				Package	Assembly
1	A	1133755	Kit, Back Cane Mounting Hardware (Pair)	2	1
2			Screw, Hex Head Cap (5/16-18 x 1")	1	4
3			Washer, Flat (21/64 x 53/64 x 7/64")	1	4
4			Locknut (5/16-18)	1	4
5			Locknut (5/16-24)	1	2
6			Screw w/ Lug (5/16-24 x 1-3/8")	1	2

NOTE: A - Includes items 2-6.

Back Cane Attaching Hardware

ADJASBA Seats with TRRO Option (16-22" Wide)

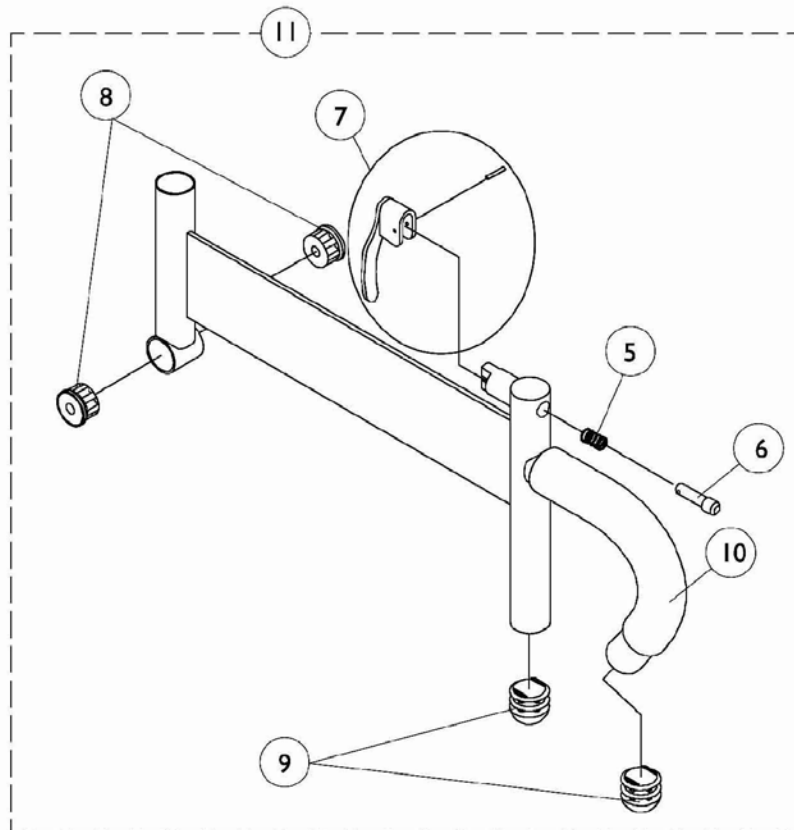
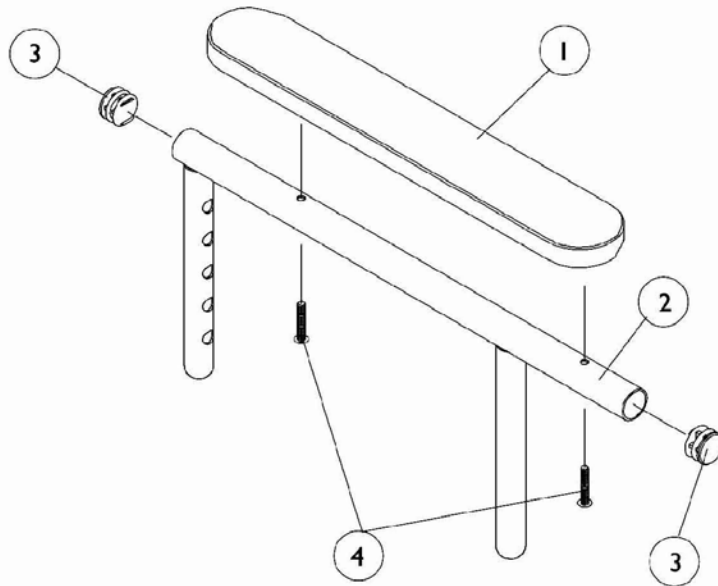


Back Cane Attaching Hardware ADJASBA Seats with TRRO Option (16-22" Wide)

Item Number	Note	Part Number	Description	Quantity Per	
				Package	Assembly
1	A	1137234	Kit, Back Cane Mounting Hardware For TRRO Option (Pair)	2	1
2			Washer, Flat (21/64 x 53/64 x 7/64")	1	4
3			Bolt, Round Head Square Neck (5/16-18 x 1-1/4")	1	2
4			Bolt, Round Head Square Neck (5/16-18 x 1")	1	2
5			Locknut (5/16-18)	1	4
6			Screw w/ Lug (5/16-24 x 1-3/8")	1	2
7			Locknut (5/16-24)	1	2

NOTE: A - Includes items 2-7, both Right and Left sides.

Arms, Adjustable Height ADJASBA Seats (12-16" W x 12-18" D)

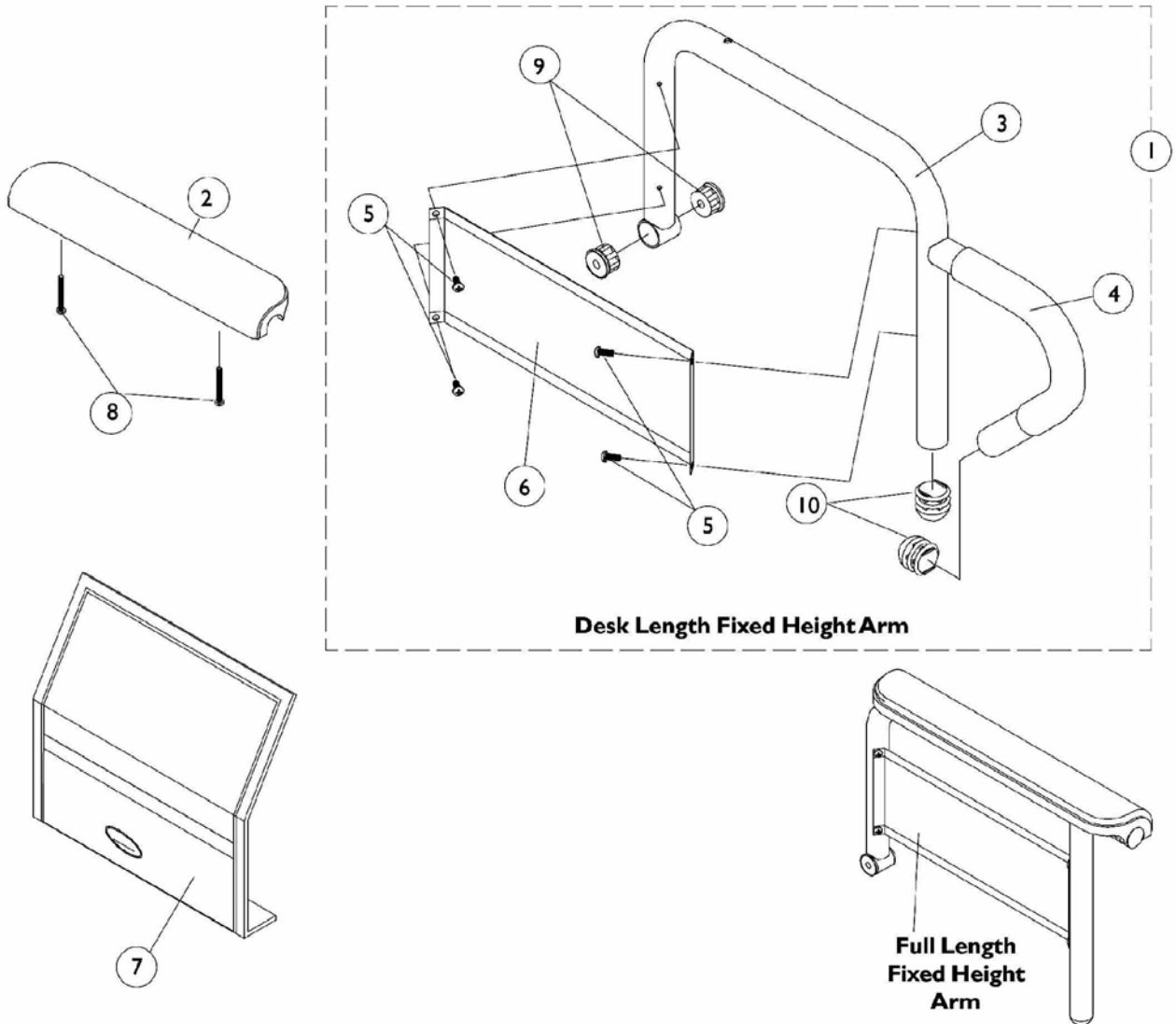


Arms, Adjustable Height ADJASBA Seats (12-16" W x 12-18" D)

Item Number	Note	Part Number	Description	Quantity Per	
				Package	Assembly
1	A	8881015932	Pad, Arm, Vinyl, Full Length - Right (14" L x 2" W)	1	1
1	A	8881015933	Pad, Arm, Vinyl, Full Length - Left (14" L x 2" W)	1	1
1	A	8881053577	Kit, Arm Pad w/ Hardware, Full Length (14" L x 2" W) (Pair)	2	1
1	A	8881011811	Pad, Arm, Vinyl, Desk Length (9" L x 2" W)	1	1
1	A	8881053578	Kit, Arm Pad w/ Screws, Desk Length (9" L x 2" W) (Pair)	2	1
2		1071263	Arm Tube Assembly w/ Plug Buttons, Full Length, Black - Right/Left	1	1
2		1071259	Arm Tube Assembly w/ Plug Buttons, Desk Length, Black - Right/Left	1	1
3		1027095	Plug Button, Black (7/8")	1	2
4		1055949	Screw, Phillips Pan Head (#10-32 x 1-1/8")	2	1
5		47471X074	Spring, Arm Lock	1	1
6		1028594	Pin, Arm Lock	1	1
7		1090768	Kit, Lock Handle w/Rivets (both LT & RT side)	2	1
8		1065936	Plug, Pivot	1	2
9		1067734	Plug Button, Black (5/8")	1	2
10		1016298	Grip, Push Handle	1	1
11	B	1068585	Arm Base Assembly, Adjustable Height, Black - Right	1	1
11	B	1068586	Arm Base Assembly, Adjustable Height, Black - Left	1	1

NOTE: A - Specify U67 Black upholstery color when ordering.
B - Includes items 5-10.

Arms, Fixed Height (16-22" Wide x 16-22" Deep) Seat Frames



Arms, Fixed Height (16-22" Wide x 16-22" Deep) Seat Frames

#1 Arms Less Pad

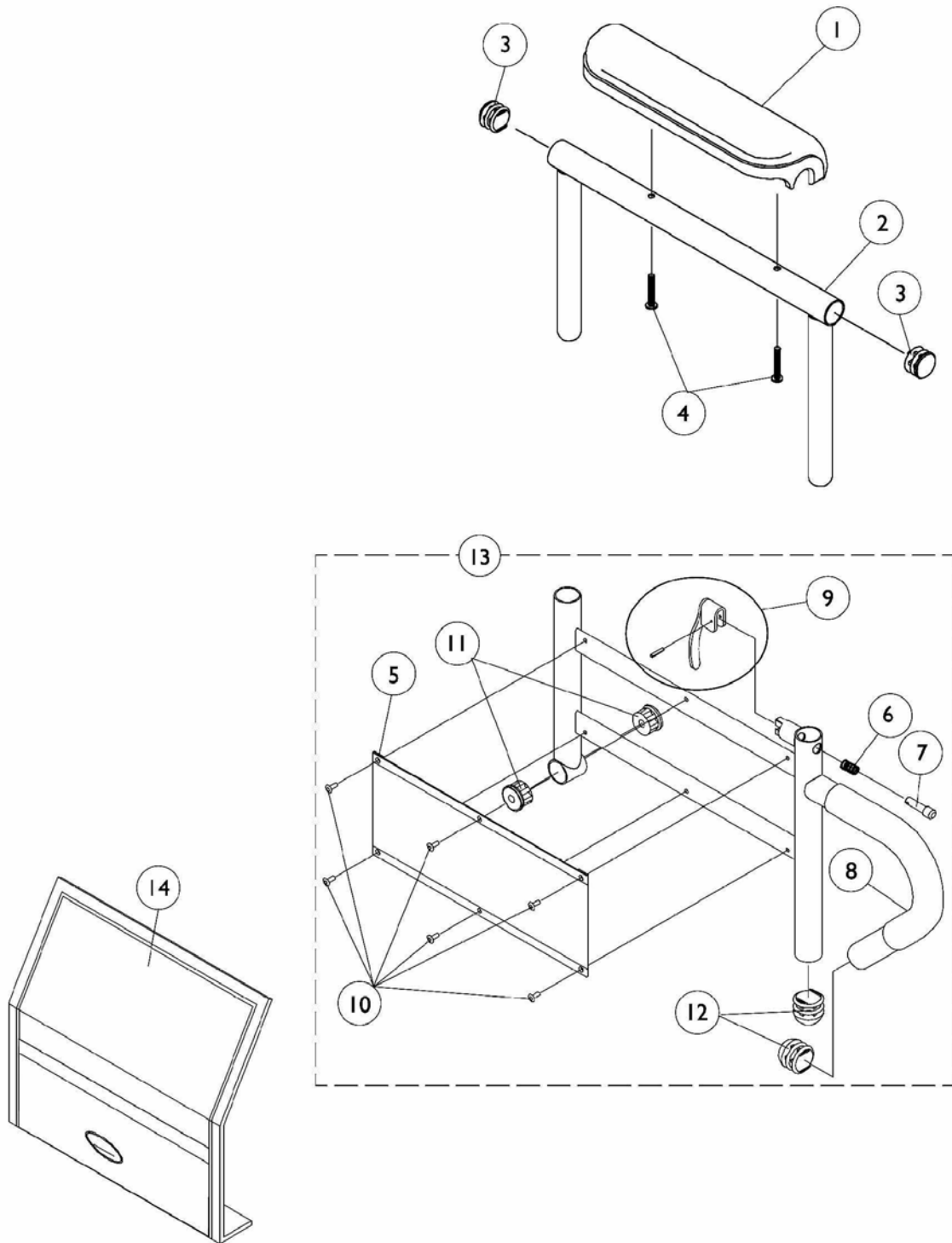
(16-22" Deep) Seat Frames

Arm Style	Right	Left
Desk Length	1068566	1068567
Full Length	1068559	1068560

Item Number	Note	Part Number	Description	Quantity Per	
				Package	Assembly
1	A	See Chart	#1 Arms Less Pad - 16-22" Deep Seat Frames	1	1
2	C	1117328	Kit, Arm Pad w/ Screws, Full Length, Urethane Waterfall, Black (13" L x 2-5/8" W)	1	1
2		1110818	Kit, Arm Pad w/ Screws, Full Length, Urethane Waterfall, Black (13" L x 2-5/8" W) (Pair)	2	1
2	C	1117327	Kit, Arm Pad w/ Screws, Desk Length, Urethane Waterfall, Black (9" L x 2-5/8" W)	1	1
2		1110817	Kit, Arm Pad w/ Screws, Desk Length, Urethane Waterfall, Black (9" L x 2-5/8" W) (Pair)	2	1
3	B	1068564	Tube, Arm, Desk Length, Black - Right (16-19" D)	1	1
3	B	1068565	Tube, Arm, Desk Length, Black - Left (16-19" D)	1	1
3	B	1068490	Tube, Arm, Full Length, Black - Right (16-19"D)	1	1
3	B	1068491	Tube, Arm, Full Length, Black - Left (16-19"D)	1	1
4		1032244	Grip, Foam Hand (9" L)	1	1
5		1025729	Screw, Self Tapping Pan Head (#8-32 x 3/8")	1	4
6	B	1035472	Guard, Clothing, Desk Length	1	1
6	B	1044572	Guard, Clothing, Full Length (16 - 19" D)	1	1
7		1035065	Cover, Clothing Guard with Pocket, Fixed Height Desk Length & Adjustable Height Full/Desk Length	1	1
8		1094270	Screw, Phillips Pan Head (#10-32 x 1-1/4") (Pair)	2	1
9		1065936	Plug, Pivot	1	2
10		1067734	Plug Button, Black (5/8")	1	2

NOTE: A - Includes items 3-6 and 9-10.
 B - All seat depths will use the 16-19" deep replacement components only.
 C - After 7/9/07, Invacare recommends ordering armpads in pairs to assure uniform appearance on chair.

Arms, Adjustable Height (16-24" Wide x 16-22" Deep) Seat Frames

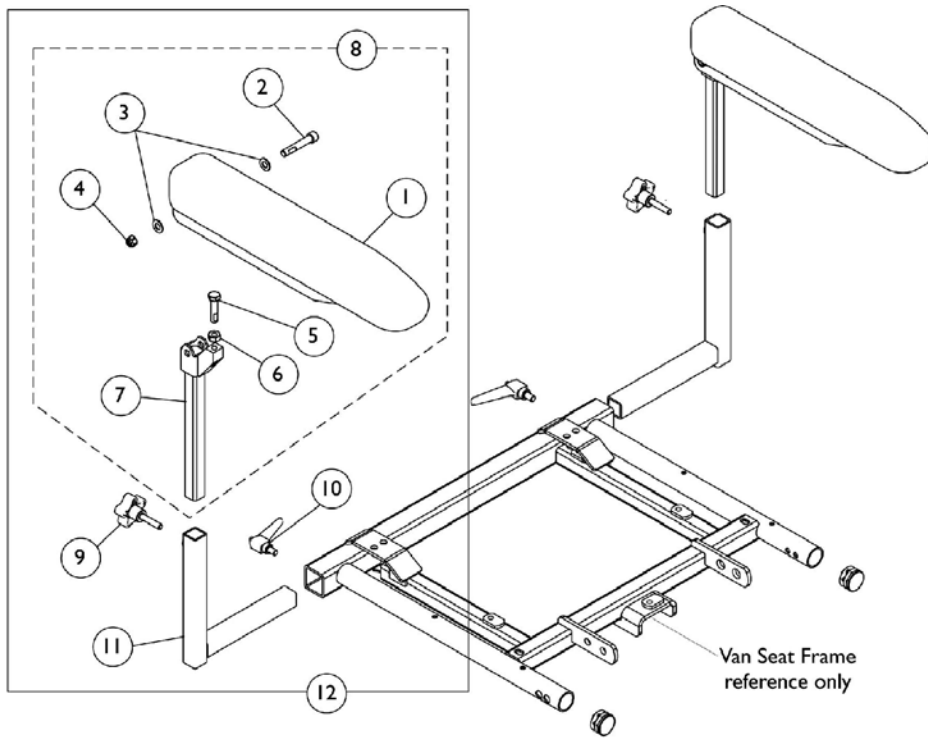


Arms, Adjustable Height (16-24" Wide x 16-22" Deep) Seat Frames

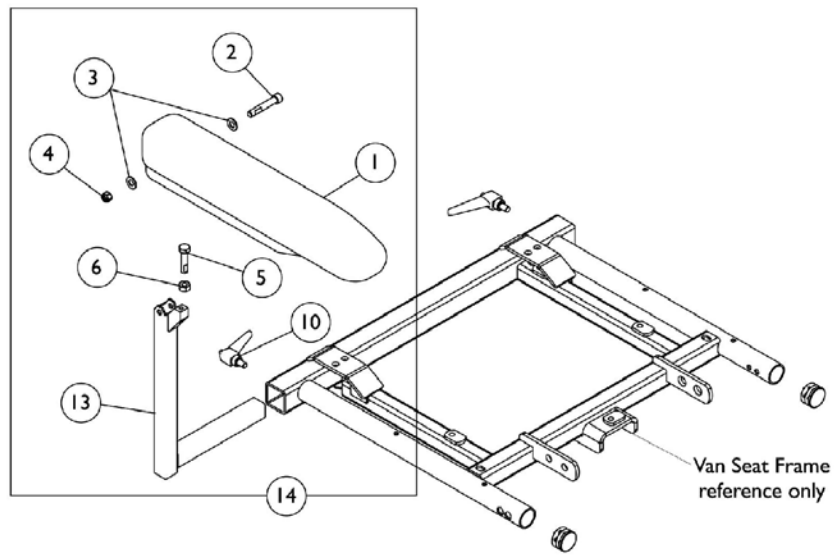
Item Number	Note	Part Number	Description	Quantity Per	
				Package	Assembly
1		1117328	Kit, Arm Pad w/ Screws, Full Length, Urethane Waterfall, Black (13" L x 2-5/8" W)	1	1
1		1110818	Kit, Arm Pad w/ Screws, Full Length, Urethane Waterfall, Black (13" L x 2-5/8" W) (Pair)	2	1
1		1117327	Kit, Arm Pad w/ Screws, Desk Length, Urethane Waterfall, Black (9" L x 2-5/8" W)	1	1
1		1110817	Kit, Arm Pad w/ Screws, Desk Length, Urethane Waterfall, Black (9" L x 2-5/8" W) (Pair)	2	1
2		1071253	Arm Tube Assembly w/ Plug Buttons, Full Length, Black - Right/Left	1	1
2		1070859	Arm Tube Assembly w/ Plug Buttons, Desk Length, Black - Right/Left	1	1
3		1027095	Plug Button, Black (7/8")	1	2
4		1094270	Screw, Phillips Pan Head (#10-32 x 1-1/4") (Pair)	2	1
5		1064130	Guard, Clothing	1	1
6		47471X074	Spring, Arm Lock	1	1
7		1028594	Pin, Arm Lock	1	1
8		1032244	Grip, Foam Hand (9" L)	1	1
9		1090768	Kit, Lock Handle w/Rivets (both LT & RT side)	2	1
10		1028645	Rivet	1	6
11		1065936	Plug, Pivot	1	2
12		1067734	Plug Button, Black (5/8")	1	2
13	A,B	1068416	Arm Base Assembly, Black - Right (16-19" D)	1	1
13	A,B	1068417	Arm Base Assembly, Black - Left (16-19" D)	1	1
13	A,B	1067761	Arm Base Assembly, 1" Lower, Black - Right (16-19" D)	1	1
13	A,B	1067762	Arm Base Assembly, 1" Lower, Black - Left (16-19" D)	1	1
14		1035065	Cover, Clothing Guard with Pocket, Fixed Height Desk Length & Adjustable Height Full/Desk Length	1	1

NOTE: A - Includes items 5-12.
B - All seat depths will use the 16-19" deep replacement components only.

Arms - Van Seat



Adjustable Height Arm Assembly



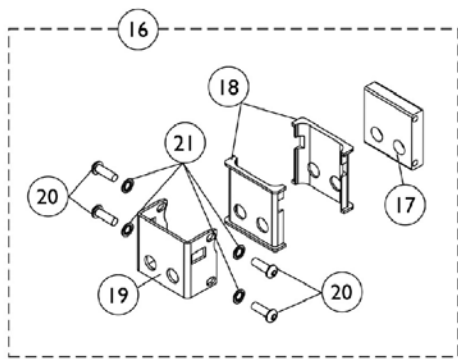
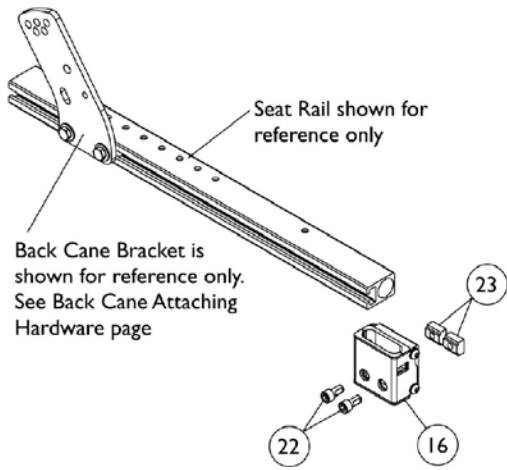
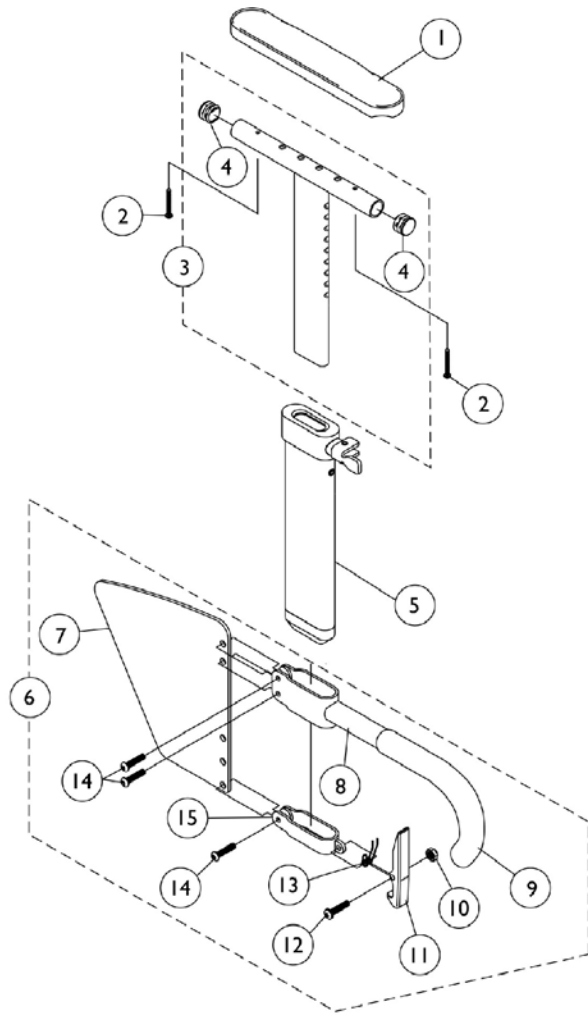
Fixed Height Arm Assembly

Arms - Van Seat

Item Number	Note	Part Number	Description	Quantity Per	
				Package	Assembly
8	A	1142487	Upper Arm Assembly, Desk Length (Right/Left)	1	1
1			Pad, Arm, Desk Length, Black Urethane (12-1/4" L x 2-5/8" W)	1	1
2			Screw, Socket Head w/ Patch (5/16-18 x 1-3/4")	1	1
3			Washer, Flat (5/16 x 5/8 x 1/16")	1	2
4			Locknut (5/16-18)	1	1
5			Screw, Hex Head (5/16-18 x 1-1/4")	1	1
6			Nut, Hex (5/16-18)	1	1
7			Tube, Arm, Upper Adjustable Height, Black	1	1
1		1139923	Pad, Arm, Desk Length, Black Urethane (12-1/4" L x 2-5/8" W)	1	1
8	A	1140426	Upper Arm Assembly, Full Length (Right/Left)	1	1
1			Pad, Arm, Full Length, Urethane, Black (15" L x 2-5/8" W)	1	1
2			Screw, Socket Head w/ Patch (5/16-18 x 1-3/4")	1	1
3			Washer, Flat (5/16 x 5/8 x 1/16")	1	2
4			Locknut (5/16-18)	1	1
5			Screw, Hex Head (5/16-18 x 1-1/4")	1	1
6			Nut, Hex (5/16-18)	1	1
7			Tube, Arm, Upper Adjustable Height, Black	1	1
1		1139924	Pad, Arm, Full Length, Urethane, Black (15" L x 2-5/8" W)	1	1
9		1114910	Knob, Adjustment, Black (5/16-18 x 3/4")	1	1
10		1114914	Handle, Release, Black (5/16-18 x 1/2")	1	1
11		1113646	Tube, Arm, Lower Adjustable Width, Black - Right	1	1
11		1113647	Tube, Arm, Lower Adjustable Width, Black - Left	1	1
12	B	1142494	Arm Assembly, Adj. Height, Desk Length, Black - Right	1	1
12	B	1142495	Arm Assembly, Adj. Height, Desk Length, Black - Left	1	1
12	B	1142476	Arm Assembly, Adj. Height, Full Length, Black - Right	1	1
12	B	1142477	Arm Assembly, Adj. Height, Full Length, Black - Left	1	1
13		1114359	Tube, Arm, Fixed Height, Black - Right	1	1
13		1114797	Tube, Arm, Fixed Height, Black - Left	1	1
14	C	1142490	Arm Assembly, Desk Length, Black - Right	1	1
14	C	1142491	Arm Assembly, Desk Length, Black - Left	1	1
14	C	1142485	Arm Assembly, Full Length, Black - Right	1	1
14	C	1142484	Arm Assembly, Full Length, Black - Left	1	1

NOTE: A - Includes items 1-7
B - Includes items 8-11
C - Includes items 1-6,10, and 13

Arms, "T" and Hardware



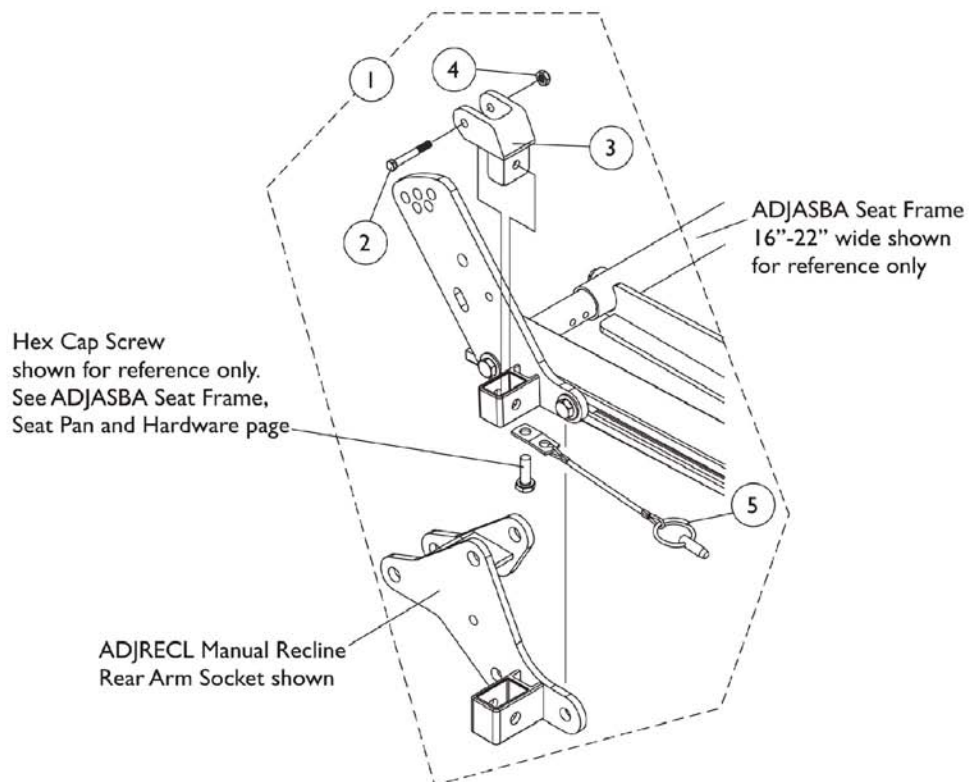
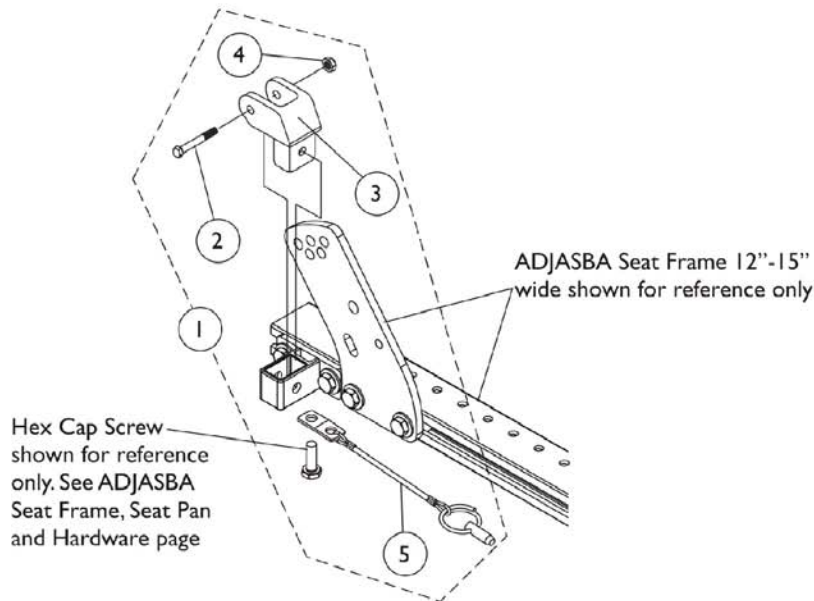
Arms, "T" and Hardware

Item Number	Note	Part Number	Description	Quantity Per	
				Package	Assembly
1	A,B	8881083213	Pad, Arm, Desk Length - Right (9" L x 2" W)	1	1
1	A,B	8881083214	Pad, Arm, Desk Length - Left (9" L x 2" W)	1	1
1	A,B	8881083215	Pad, Arm, Full Length - Right (14" L x 2" W)	1	1
1	A,B	8881083216	Pad, Arm, Full Length - Left (14" L x 2" W)	1	1
2		1055205	Package, Screw Phillips Pan Head (#10-32 x 1-3/8")	2	1
3		1069639	T-Arm Assembly w/ Plug Buttons, Desk Length, Low Range, Black	1	1
3		1069643	T-Arm Assembly w/ Plug Buttons, Full Length, Low Range, Black	1	1
4		1027095	Plug Button, Black (7/8")	1	2
5		1069635	Post, Arm, Low Range	1	1
6		1073424	Kit, Clothing Guard, Low Range - Right	1	1
6		1073425	Kit, Clothing Guard, Low Range - Left	1	1
7		1069652	Guard, Clothing, Low Range	1	1
8		1069650	Tube, Support, High Range, Black - Right	1	1
8		1073246	Tube, Support, High Range, Black - Left	1	1
9		1028427	Grip, Foam	1	1
10		1025731	Locknut (#10-32)	1	1
11		1076839	Lever, Locking	1	1
12		1025716	Screw, Phillips Pan Head (#10-32 x 11/16")	1	1
13		1073196	Spring, Torsion	1	1
14		1006773	Screw, Socket Button Head (1/4-20 x 1/2")	1	3
15		1073190	Clamp, Skirt Guard	1	1
16	B	1151356	Kit, "T" Arm Socket Mounting Hardware	1	1
17			Bracket, "T" Arm Socket	1	1
18			Insert, Arm Socket, Black	1	2
19			Bracket, Socket, Black	1	1
20			Screw, Socket Button Head (1/4-28 x 3/4")	1	4
21			Lockwasher (1/4 x 15/32 x 1/64")	1	4
22		1098960	Screw, Socket Head w/ Patch (5/16-18 x 5/8")	1	2
23		1069724	T-Nut (5/16-18)	1	2

NOTE: A - Specify U67 upholstery color when ordering.
B - Includes items 17-21.

Arm Mounting Swingaway Hardware

ADJASBA/ADJRECL Seats



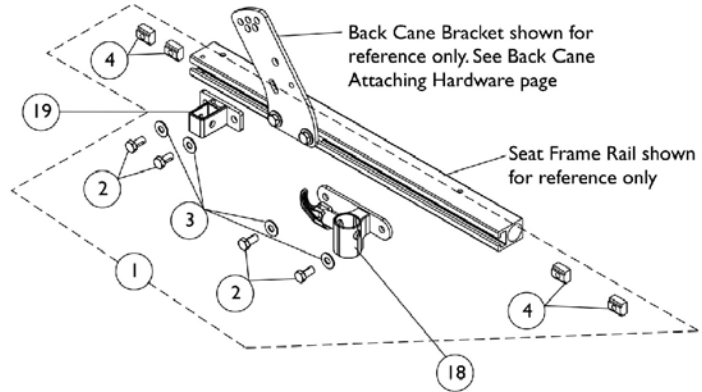
Arm Mounting Swingaway Hardware ADJASBA/ADJRECL Seats

Item Number	Note	Part Number	Description	Quantity Per	
				Package	Assembly
1	A	1068488	Kit, Swingaway Armrest Mounting Hardware	1	1
2		1019590	Screw, Socket Button Head (1/4-20 x 1-5/8")	1	1
3		1068025	Clevis, Pivot	1	1
4		1025195	Locknut (1/4-20)	1	1
5		1068039	Pin, Pull	1	1

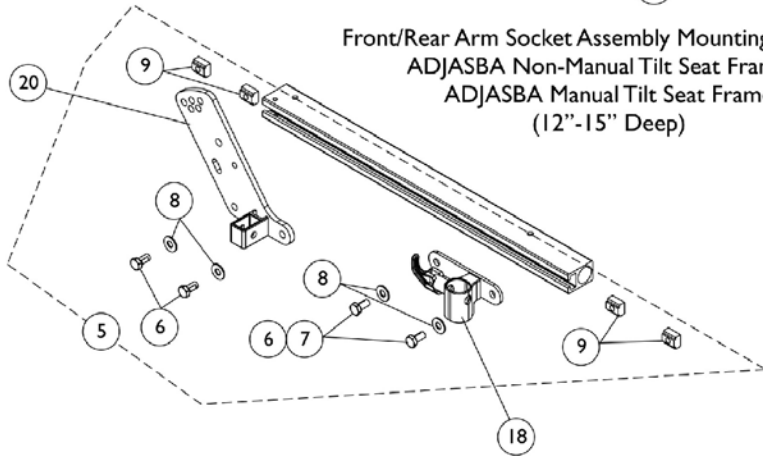
NOTE: A - Includes items 2-5.

Front/Rear Arm Socket Assembly and Hardware (12-16" Wide)

Refer to page titled "Back Cane Attaching Hardware For ADJASBA Seats (12"-16" Wide)" for replacing the Back Cane Bracket for chairs with T-Arms

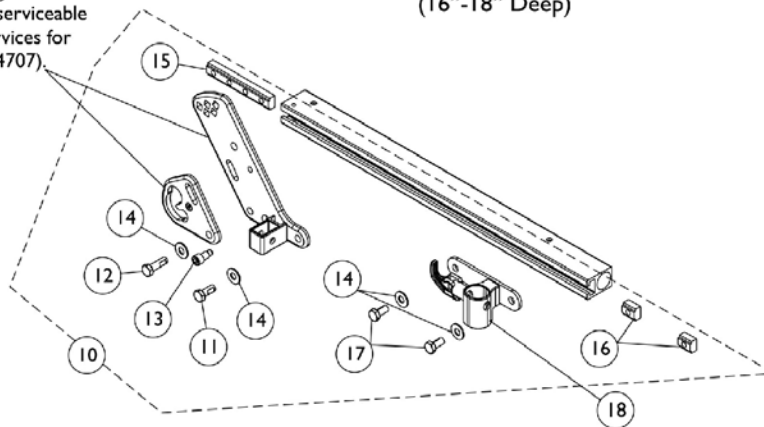


Front/Rear Arm Socket Assembly Mounting Hardware
ADJASBA Non-Manual Tilt Seat Frame &
ADJASBA Manual Tilt Seat Frame
(12"-15" Deep)



Front/Rear Arm Socket Assembly Mounting Hardware
ADJASBA Non-Manual Tilt Seat Frame &
ADJASBA Manual Tilt Seat Frame
(16"-18" Deep)

Rear Arm Socket and Pelvic Restraint Belt Mounting Bracket for TRRO option are non-serviceable parts. Call Technical Services for assistance. (1-800-832-4707)



Front/Rear Arm Socket Assembly Mounting Hardware
ADJASBA Non-Manual Tilt Seat Frame &
ADJASBA Manual Tilt Seat Frame
(16"-18" Deep TRRO option only)

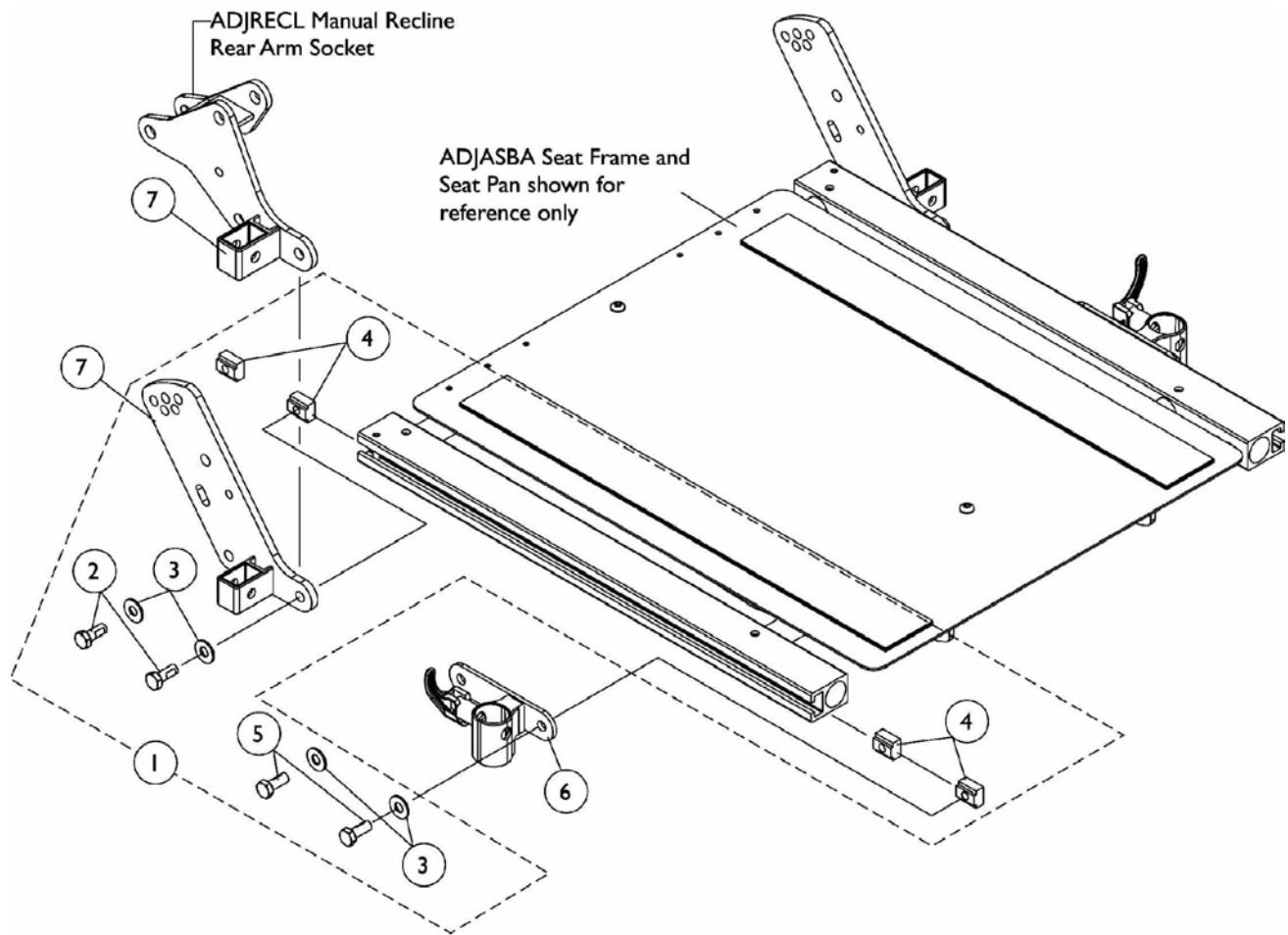
Front/Rear Arm Socket Assembly and Hardware (12-16" Wide)

Refer to page titled "Back Cane Attaching Hardware For ADJASBA Seats (12"-16" Wide)" for replacing the Back Cane Bracket for chairs with T-Arms

Item Number	Note	Part Number	Description	Quantity Per	
				Package	Assembly
1	A	1144596	Kit, Front/Rear Arm Socket Asbly. Mtg. Hdwr. (12-16" Wide)	1	1
2			Screw, Hex Head (5/16-18 x 5/8")	1	4
3			Washer (5/16 x 3/4 x 1/16")	1	4
4			T-Nut (5/16-18)	1	4
5	B	1125734	Kit, Front/Rear Arm Socket Assembly Mounting Hardware	1	1
6			Screw, Hex Head Cap with Patch (5/16-18 x 3/4")	1	2
7			Washer (5/16 x 3/4 x 1/16")	1	4
8			T-Nut (5/16-18)	1	4
9			Screw, Hex Head (5/16-18 x 5/8")	1	2
5	C	1144596	Kit, Front/Rear Arm Socket Asbly. Mtg. Hdwr. (12-16" Wide)	1	1
6			Screw, Hex Head (5/16-18 x 5/8")	1	4
7			Washer (5/16 x 3/4 x 1/16")	1	4
8			T-Nut (5/16-18)	1	4
10	D	1136025	Kit, Front/Rear Arm Socket Assembly Mounting Hardware For TRRO Option	1	1
11			Screw, Hex Head Cap with Patch (5/16-18 x 3/4")	1	1
12			Screw, Hex Head Cap with Patch (5/16-18 x 1")	1	1
13			Screw, Socket Head (5/16-18 x 3/4")	1	1
14			Washer (5/16 x 3/4 x 1/16")	1	4
15			T-Nut (5/16-18)	1	1
16			T-Nut (5/16-18)	1	2
17			Screw, Hex Head (5/16-18 x 5/8")	1	2
18		1122619	Socket, Front Arm - Right	1	1
18		1122620	Socket, Front Arm - Left	1	1
19		1126142	Socket, Rear Arm	1	1
20		1125478	Socket, Rear Arm - Right	1	1
20		1125479	Socket, Rear Arm - Left	1	1

NOTE: A - Includes items 2-4. Used for both (12"-15" Deep) ADJASBA Non-Manual Tilt Seat Frame and ADJASBA Manual Tilt Seat Frame.
 B - Includes items 6-9. Used for (16"-18" Deep) ADJASBA Non-Manual Tilt Seat Frame
 C - Includes items 6-8. Used for (16"-18" Deep) ADJASBA Manual Tilt Seat Frame
 D - Includes items 11-16. Used for TRRO option on both (16"-18" Deep) ADJASBA Non-Manual Tilt Seat Frame and ADJASBA Manual Tilt Seat Frame.

Front/Rear Arm Socket Assembly and Hardware ADJASBA/ADJRECL Seats (16-22" Wide)



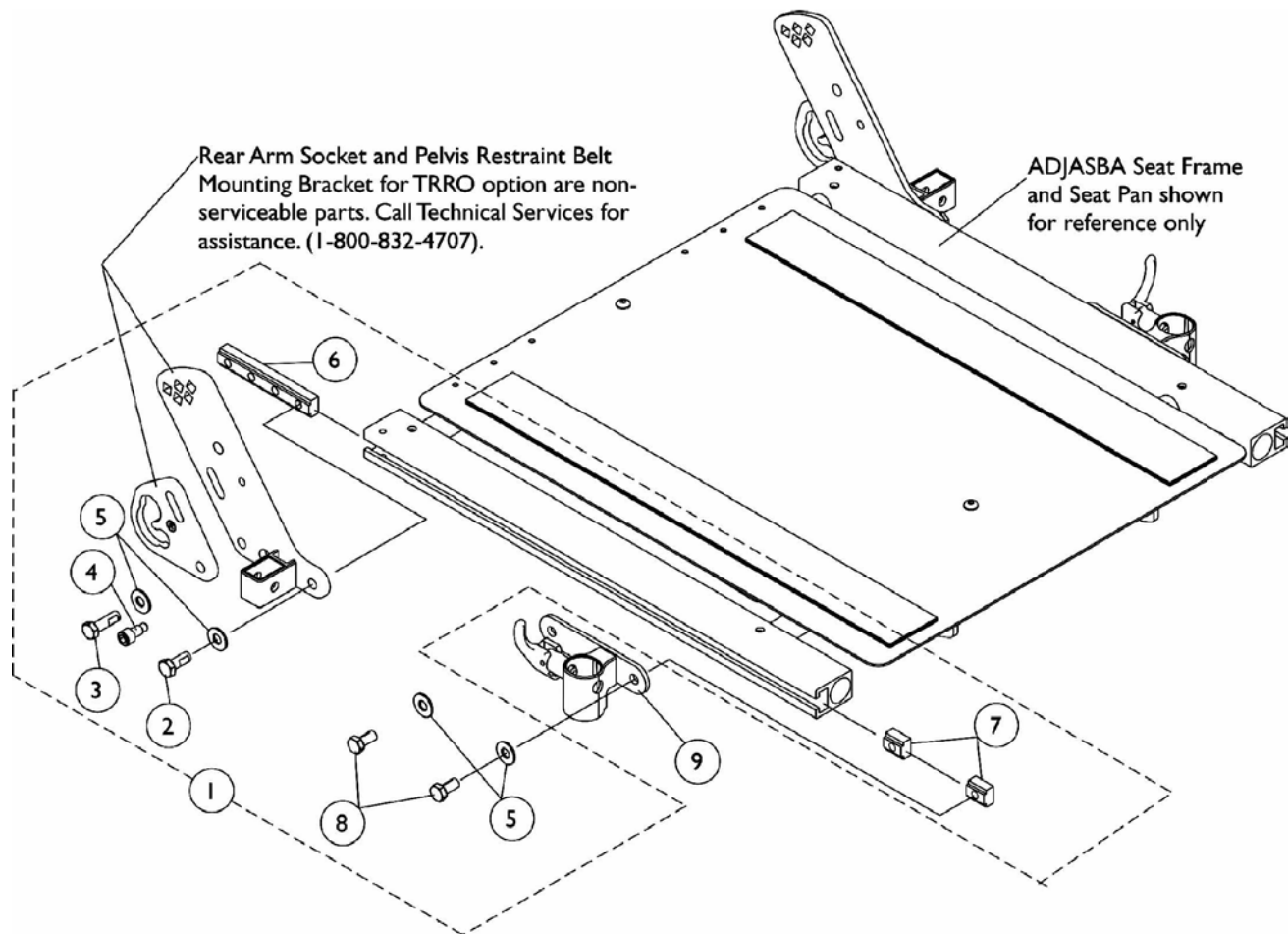
Front/Rear Arm Socket Assembly and Hardware ADJASBA/ADJRECL Seats (16-22" Wide)

Item Number	Note	Part Number	Description	Quantity Per	
				Package	Assembly
1	A	1125734	Kit, Front/Rear Arm Socket Assembly Mounting Hardware	1	1
2			Screw, Hex Head Cap with Patch (5/16-18 x 3/4")	1	2
3			Washer (5/16 x 3/4 x 1/16")	1	4
4			T-Nut (5/16-18)	1	4
5			Screw, Hex Head (5/16-18 x 5/8")	1	2
6		1122619	Socket, Front Arm - Right	1	1
6		1122620	Socket, Front Arm - Left	1	1
7		1125478	Socket, Rear Arm - Right	1	1
7		1125479	Socket, Rear Arm - Left	1	1
7		1134481	Socket, ADJRECL Rear Arm - Right	1	1
7		1134482	Socket, ADJRECL Rear Arm - Left	1	1

NOTE: A - Includes items 2-5.

Front/Rear Arm Socket Assembly and Hardware

ADJASBA Seats with TRRO Option (16-22" Wide)



Front/Rear Arm Socket Assembly and Hardware ADJASBA Seats with TRRO Option (16-22" Wide)

Item Number	Note	Part Number	Description	Quantity Per	
				Package	Assembly
1		1136025	Kit, Front/Rear Arm Socket Assembly Mounting Hardware For TRRO Option	1	1
2			Screw, Hex Head Cap with Patch (5/16-18 x 3/4")	1	1
3			Screw, Hex Head Cap with Patch (5/16-18 x 1")	1	1
4			Screw, Socket Head (5/16-18 x 3/4")	1	1
5			Washer (5/16 x 3/4 x 1/16")	1	4
6			T-Nut (5/16-18)	1	1
7			T-Nut (5/16-18)	1	2
8			Screw, Hex Head (5/16-18 x 5/8")	1	2
9		1122619	Socket, Front Arm - Right	1	1
9		1122620	Socket, Front Arm - Left	1	1

Front Riggings Reference Chart

For AT5544, 70NHD, PHW93

NOTE: Calf Pads with attaching hardware not included on Legrest.

NOTE: Pivot/Slide Tube attaching hardware not included.

NOTE: Pivot/Slide Tube and Footplates do not include Heel Loops. See Footrest and Legrest Accessories.

1651 = Composite footplate with 9-7/8" curved pivot/ slide tube.
AT5543 = Adjustable angle footplate with 9-7/8" straight pivot/ slide tube.
1350 = Extra large footplate with "L" style pivot/ slide tube.

Support Assemblies - AT5544, 70NHD, PHW93

Rigging Type	AT5544	70NHD	PHW93
Right	8881045291 See Note(s) A	8881053149 See Note(s) A	8881126089 See Note(s) A
Left	8881045292 See Note(s) A	8881053148 See Note(s) A	8881126090 See Note(s) A

NOTE: A - Specify frame color when ordering, see page titled "Frame Finishes and Touch-Up Paints".

Pivot/ Slide Tube and Footplates For AT5544, 70NHD, PHW93

Footplate Type	1651 13-14" W	1651 15-16" W	1651 17-22" W	1350 17-22" W	AT5543 12-13" W	AT5543 14-15" W	AT5543 16-22" W
Right	1057859 See Note(s) A	1057869 See Note(s) A	1057879	1026395	1060442	1060444	1062756
Left	1057860 See Note(s) A	1057870 See Note(s) A	1057880	1026396	1060443	1060445	1062757
Right 2" Longer	1057861 See Note(s) A	1057871 See Note(s) A	1057881	1086515	N/A	1062758	1062760
Left 2" Longer	1057862 See Note(s) A	1057872 See Note(s) A	1057882	1086517	N/A	1062759	1062761
Right 4" Longer	1058419 See Note(s) A	1058421 See Note(s) A	1058423	1086516	N/A	1121138	1121140
Left 4" Longer	1058420 See Note(s) A	1058422 See Note(s) A	1058424	1086518	N/A	1121139	1121141

Front Riggings Reference Chart

For AT5544, 70NHD, PHW93

NOTE: A - Not available on AT5544 legrest 13-15" wide

Front Riggings Reference Chart For PHAL4A

NOTE: Calf Pads with attaching hardware not included on Legrest.

NOTE: Pivot/Slide Tube attaching hardware not included.

NOTE: Pivot/Slide Tube and Footplates do not include Heel Loops. See Footrest and Legrest Accessories.

1650 = Aluminum footplate with "L" style pivot/slide tube.
1350 = Extra large footplate with "L" style pivot/slide tube.

Support Assembly - PHAL4A

Rigging Type	PHAL4A (Chrome Only)
Right	1031437
Left	1031438

Pivot/Slide Tube and Footplates For PHAL4A

Footplate Type	1650 16-24" W	1350 17-24" W
Right	1023907	1035456
Left	1023908	1035457

Front Riggings Reference Chart

70STAPER

NOTE: Pivot/Slide Tube attaching hardware not included.

NOTE: Pivot/Slide Tube and Footplates do not include Heel Loops. See Footrest and Legrest Accessories.

1651 = Composite footplate with 9-7/8" curved pivot/slide tube.

Support Assemblies - 70STAPER

Rigging Type	70STAPER
Right	8881026996 See Note(s) A
Left	8881026997 See Note(s) A

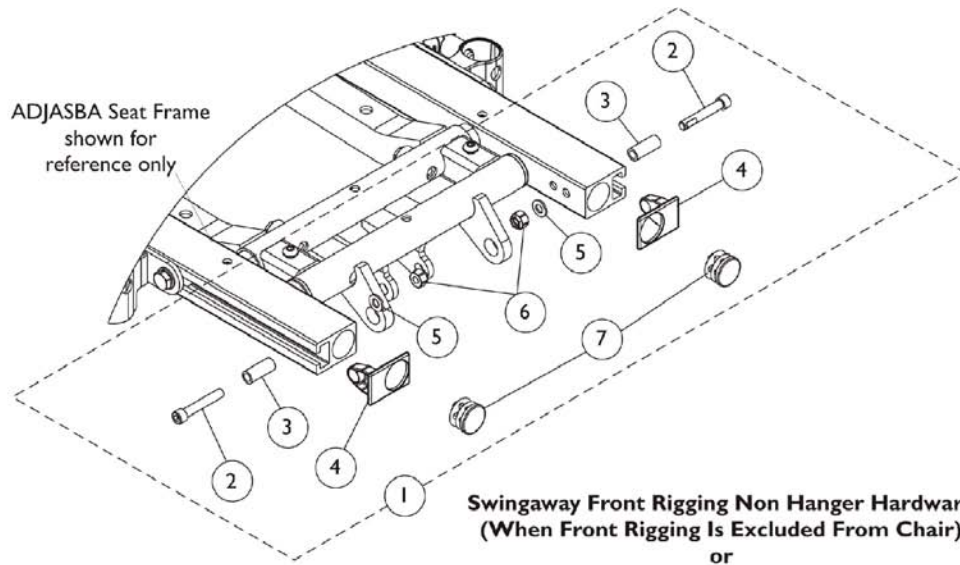
NOTE: A - Specify frame color when ordering, see page titled "Frame Finishes and Touch-Up Paints".

Pivot/Slide Tube and Footplates For 70STAPER

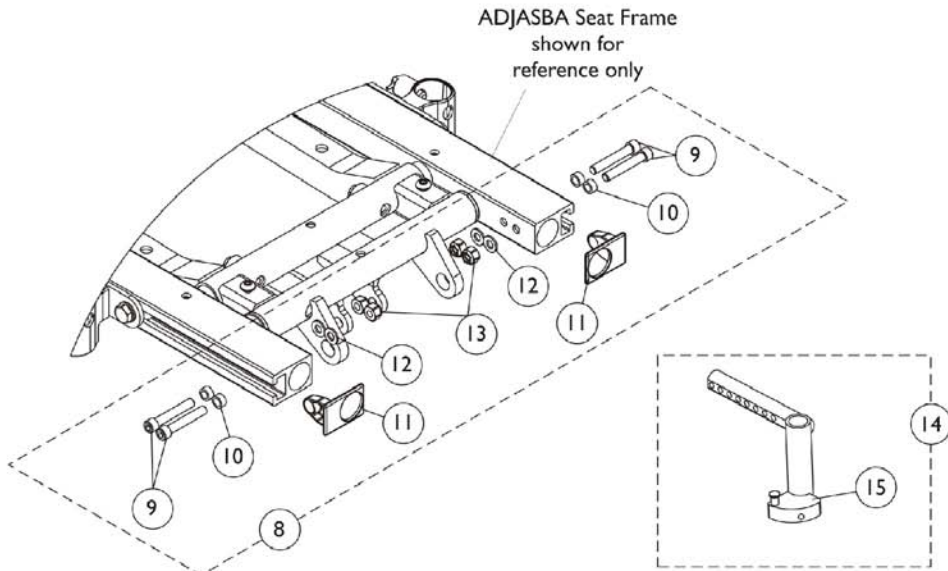
Footplate Type	1651 16-17" W	1651 18-19" W	1651 20-24" W
Right	1057859	1057869	1057879
Left	1057860	1057870	1057880
Right 2" Longer	1057861	1057871	1057881
Left 2" Longer	1057862	1057872	1057882

Front Rigging Hanger and Hardware

Pin and Sector Style ADJASBA (12-16" Wide)



Swingaway Front Rigging Non Hanger Hardware
(When Front Rigging Is Excluded From Chair)
 or
When Center Mount Riggings are used



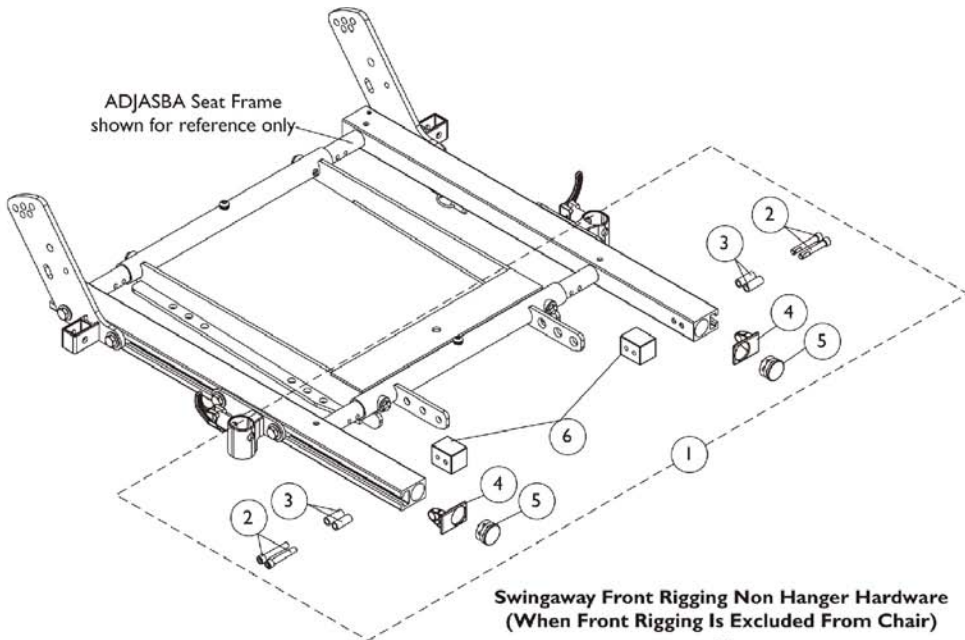
Swingaway Front Rigging Hanger Mounting Hardware
(For Sector and Pin Style Riggings)

Front Rigging Hanger and Hardware Pin and Sector Style ADJASBA (12-16" Wide)

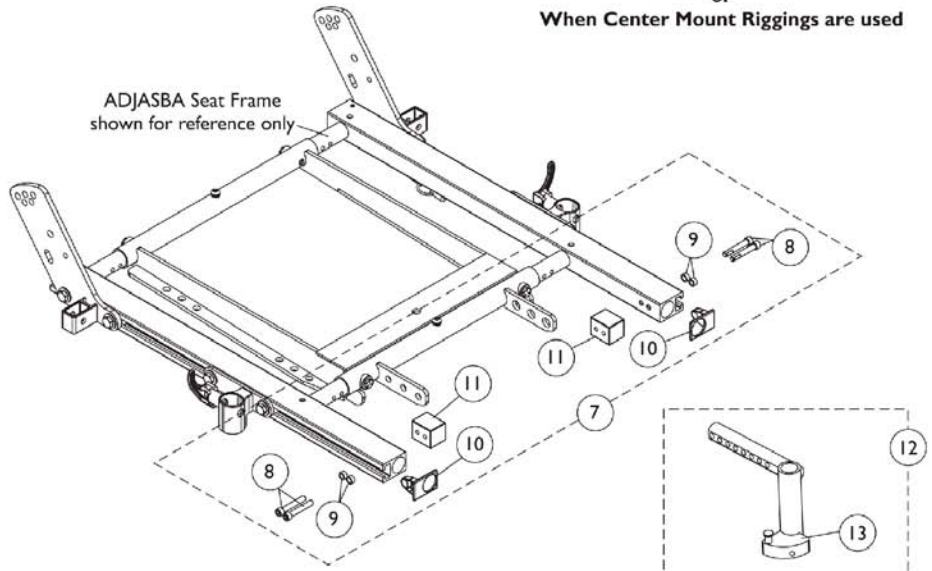
Item Number	Note	Part Number	Description	Quantity Per	
				Package	Assembly
1	A	1126150	Kit, Side Rail Cap Hardware	2	1
2			Screw, Socket Head Cap w/ Patch (1/4-20 x 1-1/2")	1	2
3			Spacer (1/4 x 3/8 x 29/32")	1	2
4			Cap, End, Side Rail, Black	1	2
5			Washer (1/4 x 1/2 x 1/16")	1	2
6			Locknut (1/4-20)	1	2
7			Plug Button, Black (7/8")	1	2
8	B	1136019	Kit, Front Rigging Hanger Mounting Hardware	2	1
9			Screw, Socket Head Cap w/ Patch (1/4-20 x 1-1/2")	1	4
10			Spacer (1/4 x 3/8 x 3/16")	1	4
11			Cap, End, Side Rail, Black	1	2
12			Washer (1/4 x 1/2 x 1/16")	1	4
13			Locknut (1/4-20)	1	4
14	C	1122602	Front Rigging Hanger Assembly w/ Sector Block, Black - Right	1	1
14	C	1122603	Front Rigging Hanger Assembly w/ Sector Block, Black - Left	1	1
15	D	1054571	Kit, Sector Block - Right	1	1
15	D	1054572	Kit, Sector Block - Left	1	1
16	E	1124401	Front Rigging Hanger Assembly w/ Plug Button, Pin Style, Hemi, Black - Right	1	1
16	E	1124402	Front Rigging Hanger Assembly w/ Plug Button, Pin Style, Hemi, Black - Left	1	1
17		1134426	Package, Plug Button, Black (3/4")	10	1
7		1130582	Package, Plug Button, Black (7/8")	10	1
NOTE: A - Includes items 2-7. B - Includes items 9-13. C - Includes item 15. D - Includes Sector Block, Screw and Washer. E - Includes item 17.					

Front Rigging Hanger and Hardware

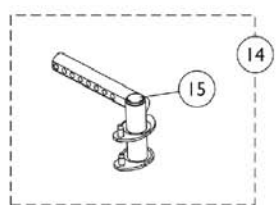
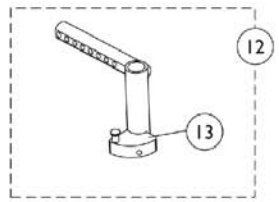
Pin and Sector Style ADJASBA/ADJRECL (16-22" Wide)



Swingaway Front Rigging Non Hanger Hardware
(When Front Rigging Is Excluded From Chair)
or
When Center Mount Riggings are used



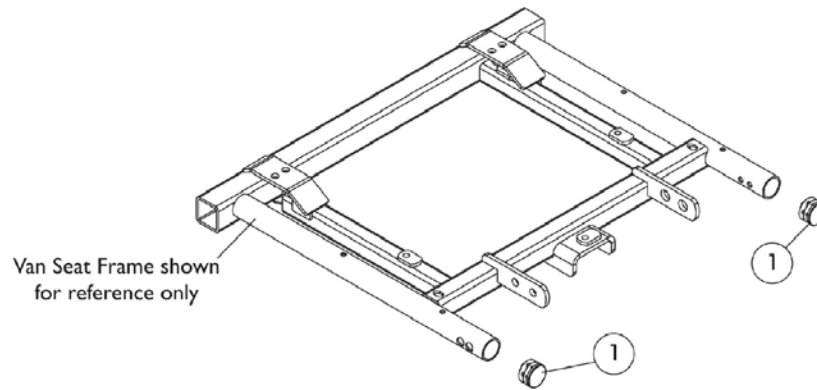
Swingaway Front Rigging Hanger Mounting Hardware
(For Sector and Pin Style Riggings)



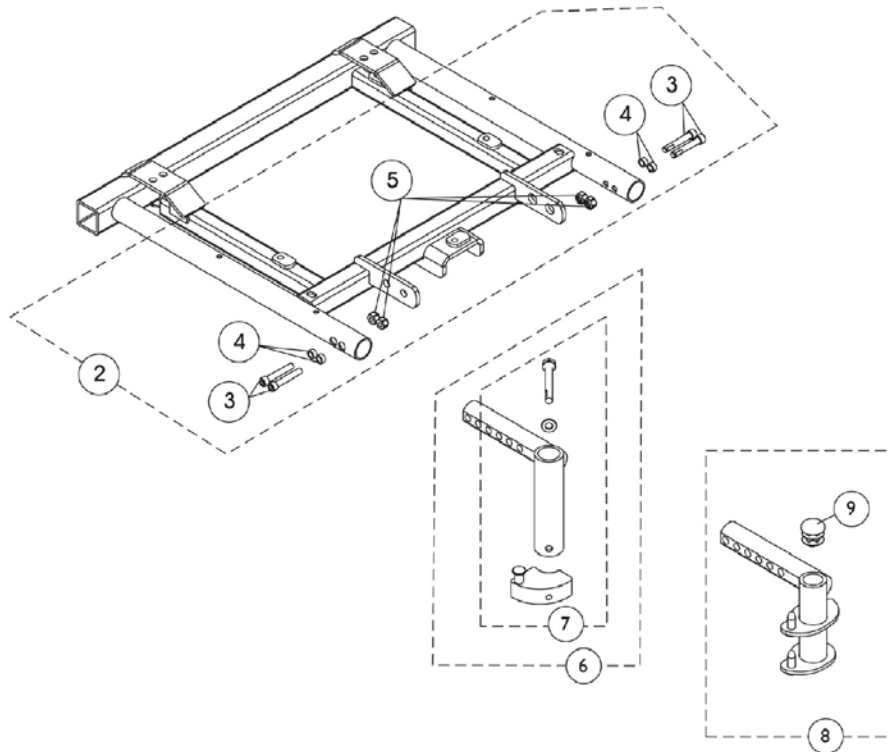
Front Rigging Hanger and Hardware Pin and Sector Style ADJASBA/ADJRECL (16-22" Wide)

Item Number	Note	Part Number	Description	Quantity Per	
				Package	Assembly
1	A	1124723	Kit, Side Rail Cap Hardware (Pair)	1	1
2			Screw, Socket Head Cap w/ Patch (1/4-20 x 1-1/2")	1	4
3			Spacer (1/4 x 3/8 x 29/32")	1	4
4			Cap, End, Side Rail, Black	1	2
5			Plug Button, Black (1")	1	2
6			Block, Threaded	1	2
7	B	1125726	Kit, Front Rigging Hanger Mounting Hardware (Pair)	1	1
8			Screw, Socket Head Cap w/ Patch (1/4-20 x 1-1/2")	1	4
9			Spacer (1/4 x 3/8 x 3/16")	1	4
10			Cap, End, Side Rail, Black	1	2
11			Block, Threaded	1	2
12	C	1122602	Front Rigging Hanger Assembly w/ Sector Block, Black - Right	1	1
12	C	1122603	Front Rigging Hanger Assembly w/ Sector Block, Black - Left	1	1
13	D	1054571	Kit, Sector Block - Right	1	1
13	D	1054572	Kit, Sector Block - Left	1	1
14		1124401	Front Rigging Hanger Assembly w/ Plug Button, Pin Style, Hemi, Black - Right	1	1
14		1124402	Front Rigging Hanger Assembly w/ Plug Button, Pin Style, Hemi, Black - Left	1	1
15		1134426	Package, Plug Button, Black (3/4")	10	1
NOTE: A - Includes items 2-6 B - Includes items 8-11 C - Includes item 13 D - Includes Sector Block, Screw and Washer					

Front Rigging Hangers and Hardware For Van Seat



Swingaway Front Rigging Non-Hanger Hardware
(When Front Rigging Is Excluded From Chair)
Or
When Center Mount Riggings are used



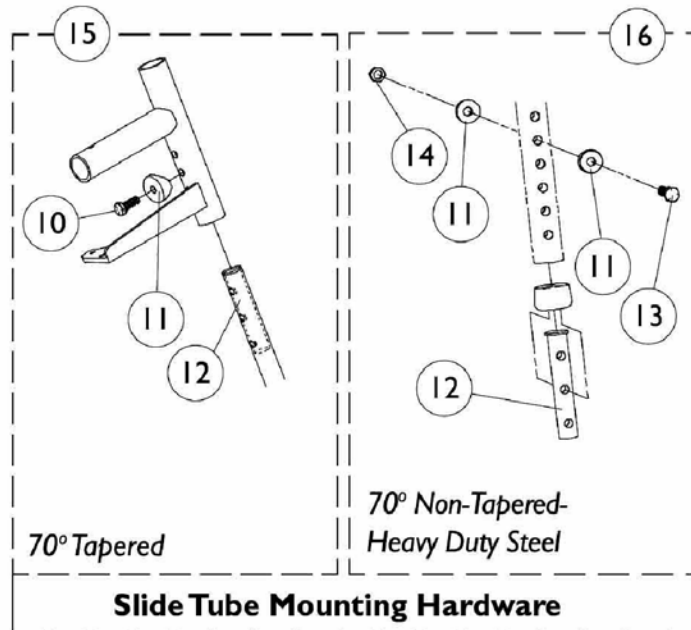
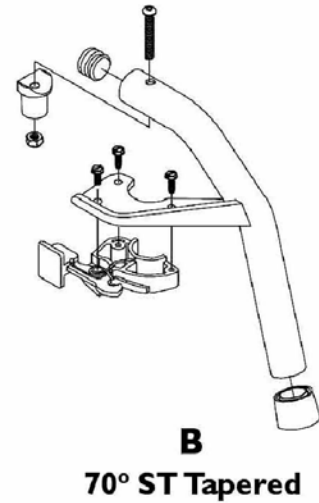
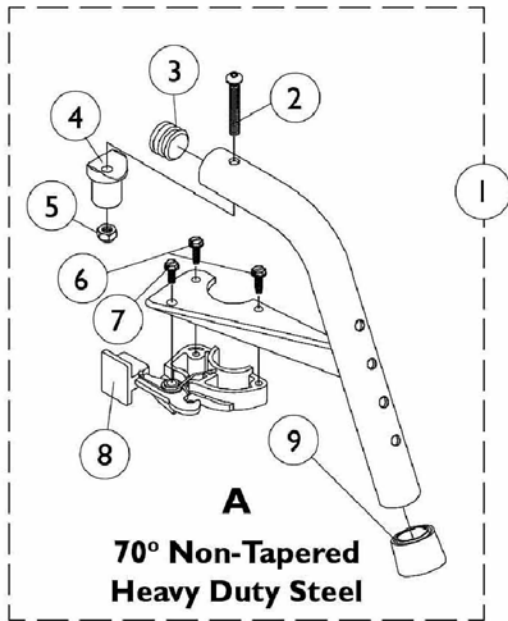
Swingaway Front Rigging Hanger Mounting Hardware
(For Sector and Pin Style riggings)

Front Rigging Hangers and Hardware For Van Seat

Item Number	Note	Part Number	Description	Quantity Per	
				Package	Assembly
1		1134425	Package, Plug Button, Black (1")	10	1
2	A	1148228	Kit, Front Rigging Hanger Hardware For Van Seat	2	1
3			Screw, Socket Head Cap w/ Patch (1/4-20 x 1-1/2")	1	4
4			Spacer (1/4 x 3/8 x 3/16")	1	4
5			Locknut (1/4-20)	1	4
6	B	1143416	Front Rigging Hanger Assembly w/ Sector Block, Black - Right	1	1
6	B	1143417	Front Rigging Hanger Assembly w/ Sector Block, Black - Left	1	1
7	C	1054571	Kit, Sector Block - Right	1	1
7	C	1054572	Kit, Sector Block - Left	1	1
8	D	1143783	Front Rigging Hanger Assembly w/ Plug Button, Hemi, Black - Right	1	1
8	D	1143784	Front Rigging Hanger Assembly w/ Plug Button, Hemi, Black - Left	1	1
9		1134426	Package, Plug Button, Black (3/4")	10	1
NOTE: A - Includes items 3-5. B - Includes item 8. C - Includes Sector Block, Screw and Washer. D - Includes item 9 Plug Button.					

Footrest Support Assemblies

Sector Style



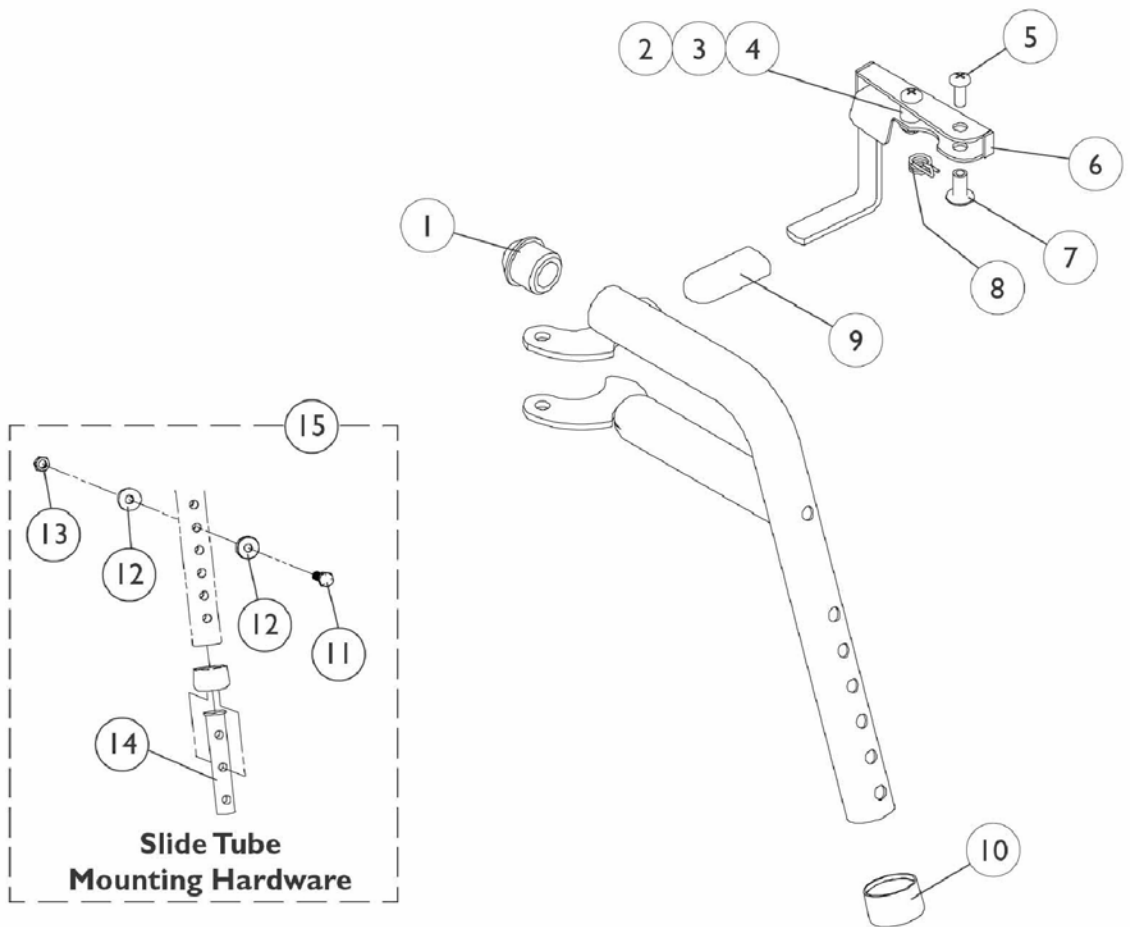
Footrest Support Assemblies Sector Style

Item Number	Note	Part Number	Description	Quantity Per	
				Package	Assembly
1	A,C,F	8881053149	Footrest Support Assembly, 70 Degree Non-Tapered Heavy Duty, Sector, Color - Right	1	1
1	A,C,F	8881053148	Footrest Support Assembly, 70 Degree Non-Tapered Heavy Duty, Sector, Color - Left	1	1
1	A,D,F	8881026996	Footrest Support Assembly, 70 Degree Tapered, Sector, Color - Right	1	1
1	A,D,F	8881026997	Footrest Support Assembly, 70 Degree° Tapered, Sector, Color - Left	1	1
2		1022831	Screw, Socket Button Head (1/4-20 x 1-7/8")	1	1
3		1029501	Plug Button, Black (1")	1	1
4		1017148	Plug, Pivot	1	1
5		1025736	Locknut (1/4-20)	1	1
6		1025451	Screw, Slotted Hex Washer Head (#10-32 x 5/8")	1	2
7		1017423	Screw, Slotted Hex Washer Head (#10-32 x 1/2")	1	1
8		1025454	Housing, Latch - Right	1	1
8		1025455	Housing, Latch - Left	1	1
9		1026124	Collar, Anti-Rattle	1	1
10		1045267	Screw, Hex Head (1/4-20 x 3/4")	1	1
11	B	1026099	Spacer, Coved (1/4 x 11/16 x 1/2")	1	2
12		1020534	Insert, Threaded	1	1
13		1070759	Screw, Hex Head (1/4-20 x 1-1/2")	1	1
14		1044214	Nut, Hex with Nylon Cap (1/4-20)	1	1
15	G	1026703	Kit, Pivot/Slide Tube Mounting Hardware (Pair)	1	1
16	H	1057846	Kit, Pivot/Slide Tube Mounting Hardware (Pair)	1	1
	E	1026987	Guard, Impact (8" L)	1	1

NOTE: A - Specify frame color when ordering. See page titled "Frame Finishes and Touch-Up Paints."
 B - Item 16 takes 4 each.
 C - Reference Image labeled "A."
 D - Reference Image labeled "B."
 E - Not Shown.
 F - Includes items 2-9.
 G - Includes items 10-12.
 H - Includes items 11-14.

PHW93 (Hemi) Footrest Supports

Color (Pin Style)

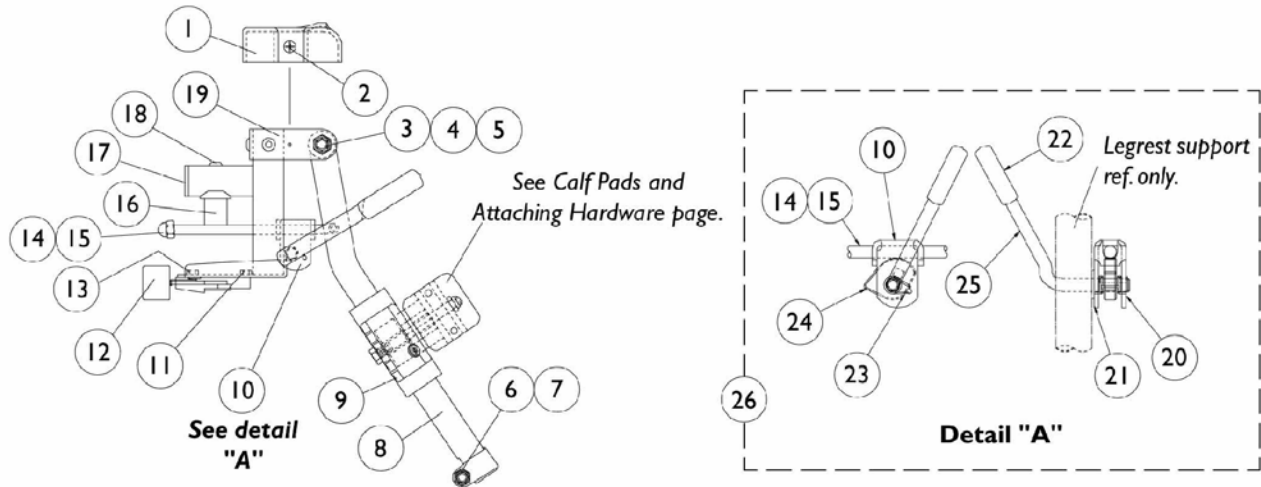


PHW93 (Hemi) Footrest Supports Color (Pin Style)

Item Number	Note	Part Number	Description	Quantity Per	
				Package	Assembly
1		1020719	Anti-Rattle, Black	1	1
2		1025716	Screw, Phillips Pan Head (#10-32 x 11/16")	1	1
3		47565X057	Bushing (7/32 x 3/8 x 11/32")	1	1
4		1025735	Locknut (#10-32)	1	1
5		1026114	Screw, Phillips Pan Head (#10-32 x 1/2")	1	1
6	A	1114749	Handle, Release, Black - Right	1	1
6	A	1114750	Handle, Release, Black - Left	1	1
7		1028846	Rivnut (#10-32)	1	1
8		1028707	Spring, Release - Right	1	1
8		1028708	Spring, Release - Left	1	1
9		1006490	Tip, Plastic, Black	1	1
10		15680X012	Collar, Anti-Rattle (7/8")	1	1
11		1070759	Screw, Hex Head (1/4-20 x 1-1/2")	1	1
12		1026099	Spacer, Coved (1/4 x 11/16 x 1/2")	1	2
13		1044214	Nut, Hex with Nylon Cap (1/4-20)	1	1
14		1020534	Insert, Threaded	1	1
15	C	1074143	Kit, Slide Tube Mounting Hardware	1	1
	B	8881126089	Footrest Support Assembly, Hemi, Color - Right	1	1
	B	8881126090	Footrest Support Assembly, Hemi, Color - Left	1	1

NOTE: A - Includes items 2-4.
 B - Specify frame color when ordering, see page titled "Frame Finishes and Touch-Up Paints."
 C - Includes items 11-14.

AT5544 Legrest Supports (Sector Style) 16"-22" Wide Chairs

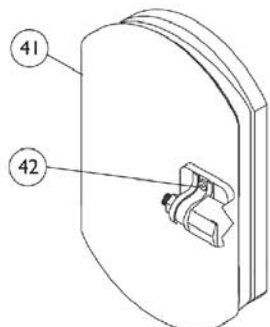
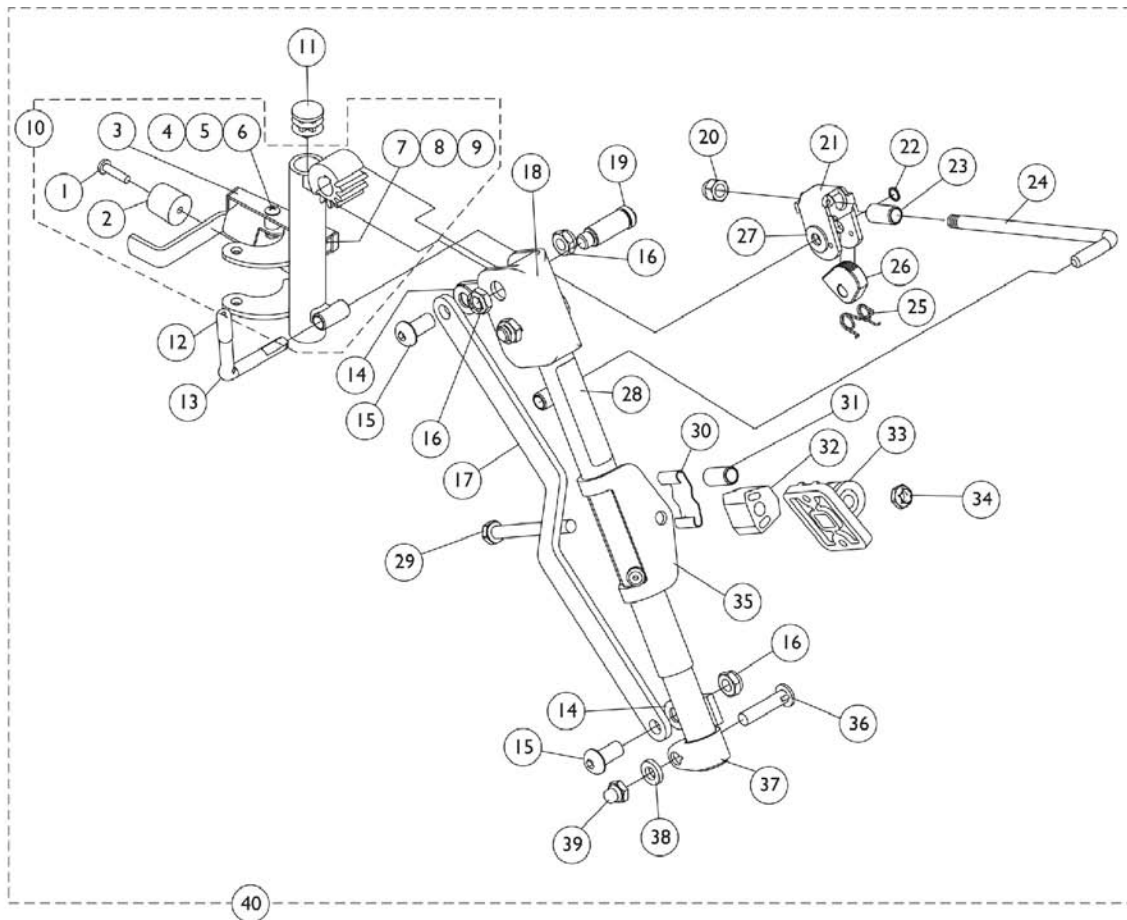


AT5544 Legrest Supports (Sector Style) 16"-22" Wide Chairs

Item Number	Note	Part Number	Description	Quantity Per	
				Package	Assembly
1		1017187	Cover, Top	1	1
2		1028529	Screw, Phillips Pan Head (#8-32 x 3/8")	1	2
3		40363X000	Hex Nut (3/8"-16)	1	1
4		1058636	Washer, Nylon (25/64 x 7/8 x 1/32")	1	2
5		11919X000-NLA	Screw, Slotted Truss Head (3/8-16 x 1-1/2")	1	1
6		1025730-NLA	Locknut (5/16-24)	1	1
7		1026030	Screw, Lug (5/16-24 x 1-3/8")	1	1
8		1043556	Tube, Elevating Adjustable Support, Black - Right	1	1
8		1043557	Tube, Elevating Adjustable Support, Black - Left	1	1
8	A	8881048851	Tube, Elevating Adjustable Support, Color - Right	1	1
8	A	8881048852	Tube, Elevating Adjustable Support, Color - Left	1	1
9		1032266	Bracket, Legrest Pad Mounting, Black	1	1
10		04528X002	Bracket, Release, Chrome	1	1
11		1025451	Screw, Slotted Hex Washer Head (#10-32 x 5/8")	1	2
12		1025454	Housing, Latch - Right	1	1
12		1025455	Housing, Latch - Left	1	1
13		1017423	Screw, Slotted Hex Washer Head (#10-32 x 1/2")	1	1
14		42326X001	Bar, Ratchet	1	1
15		10261X000	Nut, Acorn (5/16"-24)	1	1
16		1017148	Plug, Pivot	1	1
17		1029501	Plug Button, Black (1")	1	1
18		1001762	Screw, Socket Button Head (1/4-20 x 1-3/4")	1	1
19	A	8881045289	Bracket, Legrest Support, Color - Right	1	1
19	A	8881045290	Bracket, Legrest Support, Color - Left	1	1
20		1040831	Ring, Snap	1	1
21		1013519	Washer, Nylon (5/16 x 11/16 x 1/16")	1	1
22		1040060	Tip, Plastic, Black	1	1
23		1037485	Spring, Release	1	1
24		1037125	Cam, Legrest	1	1
25		1037126	Handle, Release	1	1
26	B	1096974	Kit, Ratchet Elevating Legrest (Pair)	1	1
	C	1096943	Instruction Sheet, Ratchet Kit	1	1
	A,C	8881045291	Legrest Support Assembly, Sector, Color - Right	1	1
	A,C	8881045292	Legrest Support Assembly, Sector, Color - Left	1	1

NOTE: A - Specify frame color when ordering. See page titled "Frame Finishes and Touch-Up Paints."
 B - Includes items 10, 14-15 and 20-25.
 C - Not Shown.

PHAL4A (Hemi) Articulating Legrest Supports Chrome



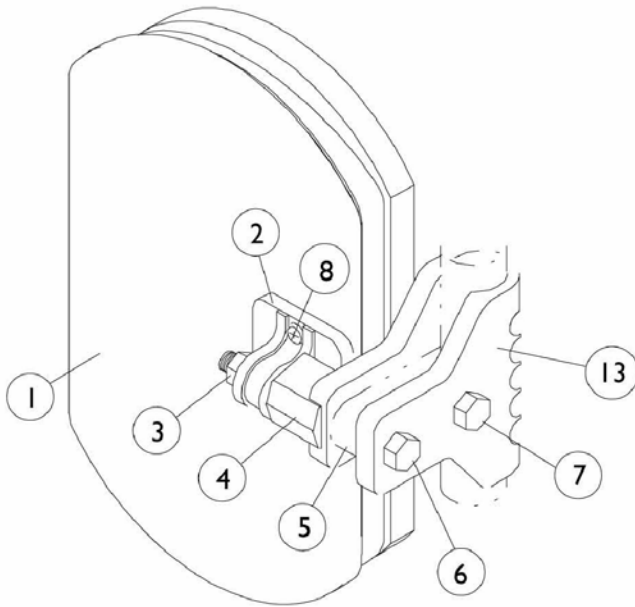
PHAL4A (Hemi) Articulating Legrest Supports Chrome

Item Number	Note	Part Number	Description	Quantity Per	
				Package	Assembly
1		1030979	Screw, Phillips Pan Head Tap (#10-32 x 3/4")	1	1
2		1022874	Bumper	1	1
3		1023428	Handle, Release, Chrome - Right	1	1
3		1023431	Handle, Release, Chrome - Left	1	1
4		47565X057	Bushing (7/32 x 3/8 x 11/32")	1	1
5		60279X003	Locknut (#10-32)	1	1
6		40163X008	Screw, Phillips Pan Head (#10-32 x 11/16")	1	1
7		1008935	Spring, Release - Right	1	1
7		1008936	Spring, Release - Left	1	1
8		67005X000	Rivnut (#10-32)	1	1
9		40163X002	Screw, Phillips Round Head (#10-32 x 1/2")	1	1
10		1023092	Legrest Support Tube Assembly, Hemi, Chrome - Right	1	1
10		1023093	Legrest Support Tube Assembly, Hemi, Chrome - Left	1	1
11		1027097	Plug Button, Black (3/4")	1	1
12		1040060	Tip, Plastic, Black	1	1
13		1037126	Handle, Release	1	1
14		1049527	Washer, Nylon (3/8 x 3/4 x 1/16")	1	2
15		1022866	Screw, Socket Button Head (3/8-16 x 3/4")	1	2
16		40363X000	Hex Nut (3/8"-16)	1	3
17		1022846	Bar, Link, Chrome	1	1
18		1022877	Tube, Support and Drive Link, Chrome - Right	1	1
18		1022878	Tube, Support and Drive Link, Chrome - Left	1	1
19		1022854	Screw, Slotted Head Shoulder (1/2 x 1-1/8")	1	1
20		10261X000	Nut, Acorn (5/16"-24)	1	1
21		04528X002	Bracket, Release, Chrome	1	1
22		1040831	Ring, Snap	1	1
23		47328X003	Bushing, Pivot (5/16 x 7/16 x 7/8")	1	1
24		42326X004	Bar, Ratchet - Right/Left	1	1
25		1037485	Spring, Release	1	1
26		1037125	Cam, Legrest	1	1
27		1013519	Washer, Nylon (5/16 x 11/16 x 1/16")	1	1
28		1024911	Decal, Smartleg	1	1
29		1014807	Screw, Hex Head (5/16-24 x 3-1/4")	1	1
30		48823X008	Spring, Leaf	1	1
31		47328X003	Bushing, Pivot (5/16 x 7/16 x 7/8")	1	1
32		1025133	Spacer, Legrest Pad	1	1
33		04526X019	Plate, Legrest Pad	1	1
34		60264X001	Locknut (5/16-24)	1	1
35		1025104	Bracket, Legrest, Chrome	1	1
36		11232X009	Screw, Lug (5/16-24 x 1-3/8")	1	1
37		1022848	Tube, Slide, Articulating, Chrome - Right	1	1

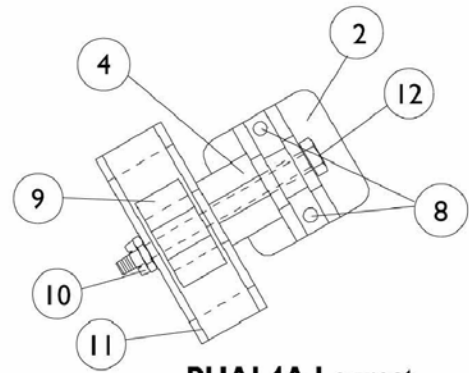
PHAL4A (Hemi) Articulating Legrest Supports Chrome

Item Number	Note	Part Number	Description	Quantity Per	
				Package	Assembly
37		1022849	Tube, Slide, Articulating, Chrome - Left	1	1
38		1027377	Washer (#20)	1	1
39		1107321	Nut, Low Cap (5/16"-24)	1	1
40	B	1031437	Legrest Support Assembly, Articulating, Hemi, Chrome - Right	1	1
40	B	1031438	Legrest Support Assembly, Articulating, Hemi, Chrome - Left	1	1
41	A	8881091764	Pad, Legrest, Vinyl - Right/Left	1	1
42		1068649	Screw, Phillips Pan Head (#10-32 x 11/16")	2	1
NOTE: A - Specify upholstery color U67 black when ordering. B - Includes items 1-39.					

Calf Pads and Attaching Hardware



AT5544 Legrest.



PHAL4A Legrest

Calf Pads and Attaching Hardware

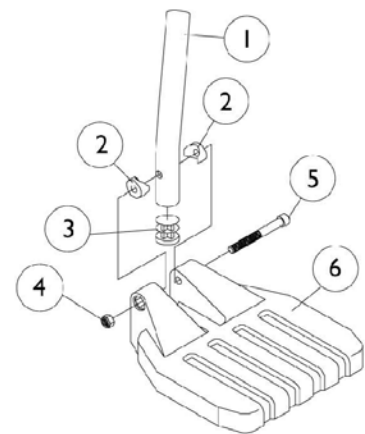
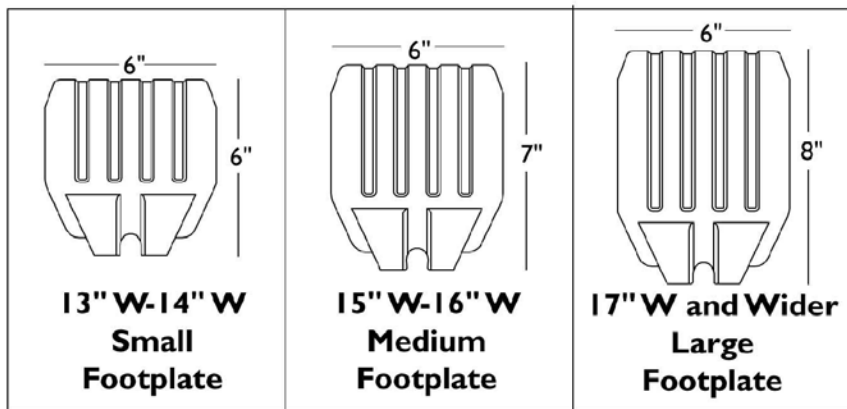
Item Number	Note	Part Number	Description	Quantity Per	
				Package	Assembly
1	A	8881091759	Pad w/ Cover and Screws, Legrest Vinyl (Pair)	2	1
1	A	8881091764	Pad, Legrest, Vinyl - Right/Left	1	1
1	A,B	88804529X003	Pad, Legrest, Vinyl - Right	1	1
1	A,B	88804529X004	Pad, Legrest, Vinyl - Left	1	1
2		04526X019	Plate, Legrest Pad	1	1
3		7930330	Locknut (5/16-24)	25	1
4		1025133	Spacer, Legrest Pad	1	1
5		1032267	Spacer, Legrest Pad Mounting	1	1
6		1037110	Screw, Hex Head (5/16-24 x 3-1/2")	1	1
7		1028514	Screw, Hex Head (5/16-24 x 1-1/2")	1	1
8		1066591	Screw, Phillips Pan Head (#10-32 x 11/16")	2	1
9		48823X008	Spring, Leaf	1	1
10		7930363	Package, Locknut (5/16"-24)	25	1
11		1025104	Bracket, Legrest, Chrome	1	1
12		1014807	Screw, Hex Head (5/16-24 x 3-1/4")	1	1
13		1032266	Bracket, Legrest Pad Mounting, Black	1	1

NOTE: A - Specify upholstery color. See page titled "Frame Finishes, Touch-Up Paints and Upholstery Options."
 B - 14"-15" Wide Chairs.

Pivot/Slide Tube and 1651 Composite Footplates

NOTE: Heel Loops are not included. See Footrest and Legrest Accessories.

NOTE: For complete pivot/slide tube and footplate assemblies, see Front Riggings Reference Charts



Pivot/Slide Tube and 1651 Composite Footplates

NOTE: Heel Loops are not included. See Footrest and Legrest Accessories.

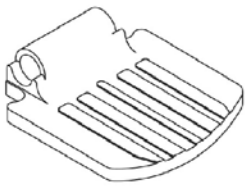
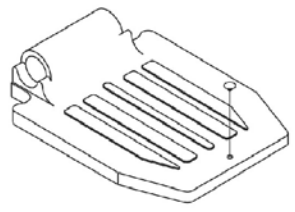
NOTE: For complete pivot/slide tube and footplate assemblies, see Front Riggings Reference Charts

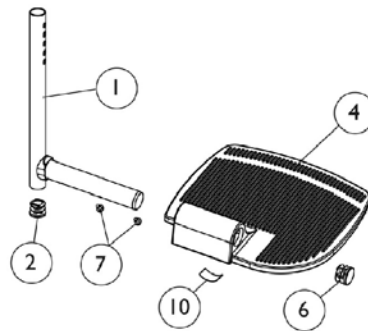
Item Number	Note	Part Number	Description	Quantity Per	
				Package	Assembly
1		1057852	Tube, Pivot/Slide, Curved End, Steel, Black (9-7/8")	1	1
1		1057854	Tube, Pivot/Slide, Curved End, 2" Longer, Steel, Black	1	1
1		1058418	Tube, Pivot/Slide, Curved End, 4" Longer, Steel, Black	1	1
2		1025457	Spacer, Coved (1/4 x 3/4 x 11/32")	1	2
3		1027097	Plug Button, Black (3/4")	1	1
4		7930323	Package, Locknut (1/4-20)	25	1
5		7930366	Screw, Socket Head (1/4-20 x 2-1/4")	25	1
6	A	1026879	Footplate, Composite, Small, Black (6" W x 6" L)	1	1
6	B	1026880	Footplate, Composite, Medium, Black (7" W x 6" L)	1	1
6	C	1026881	Footplate, Composite, Large, Black (8" W x 6" L)	1	1
6	D	1026879	Footplate, Composite, Small, Black (6" W x 6" L)	1	1
6	E	1026880	Footplate, Composite, Medium, Black (7" W x 6" L)	1	1
6	F	1026881	Footplate, Composite, Large, Black (8" W x 6" L)	1	1
NOTE: A - 12"-14" Wide B - 15"-16" Wide C - 17" and Wider D - 15"-17" Wide 70 STAPER E - 18"-19" Wide 70 STAPER F - 20" and Wider 70 STAPER					

Pivot/Slide Tube and 1650, 1350 Aluminum Footplates

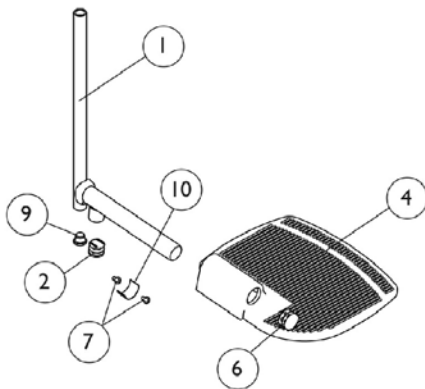
NOTE: Heel Loops are not included. See Footrest and Legrest Accessories

NOTE: For complete pivot/slide tube and footplate assemblies, see Front Riggings Reference Charts.

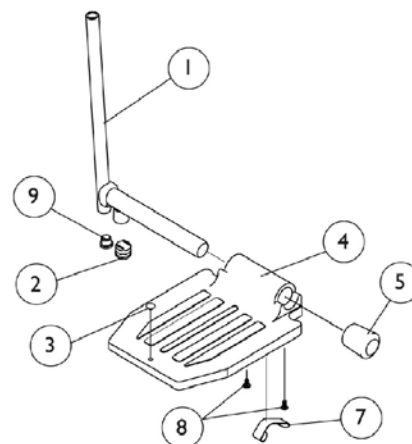
	
<p align="center">14"-15" Wide 1650 Standard Aluminum</p>	<p align="center">16" W and Wider 1650 Standard Aluminum</p>



For AT5544, 70 NHD, PHW93



For PHAL4A Legrest



For PHAL4A Legrest

Pivot/Slide Tube and 1650, 1350 Aluminum Footplates

NOTE: Heel Loops are not included. See Footrest and Legrest Accessories

NOTE: For complete pivot/slide tube and footplate assemblies, see Front Riggings Reference Charts.

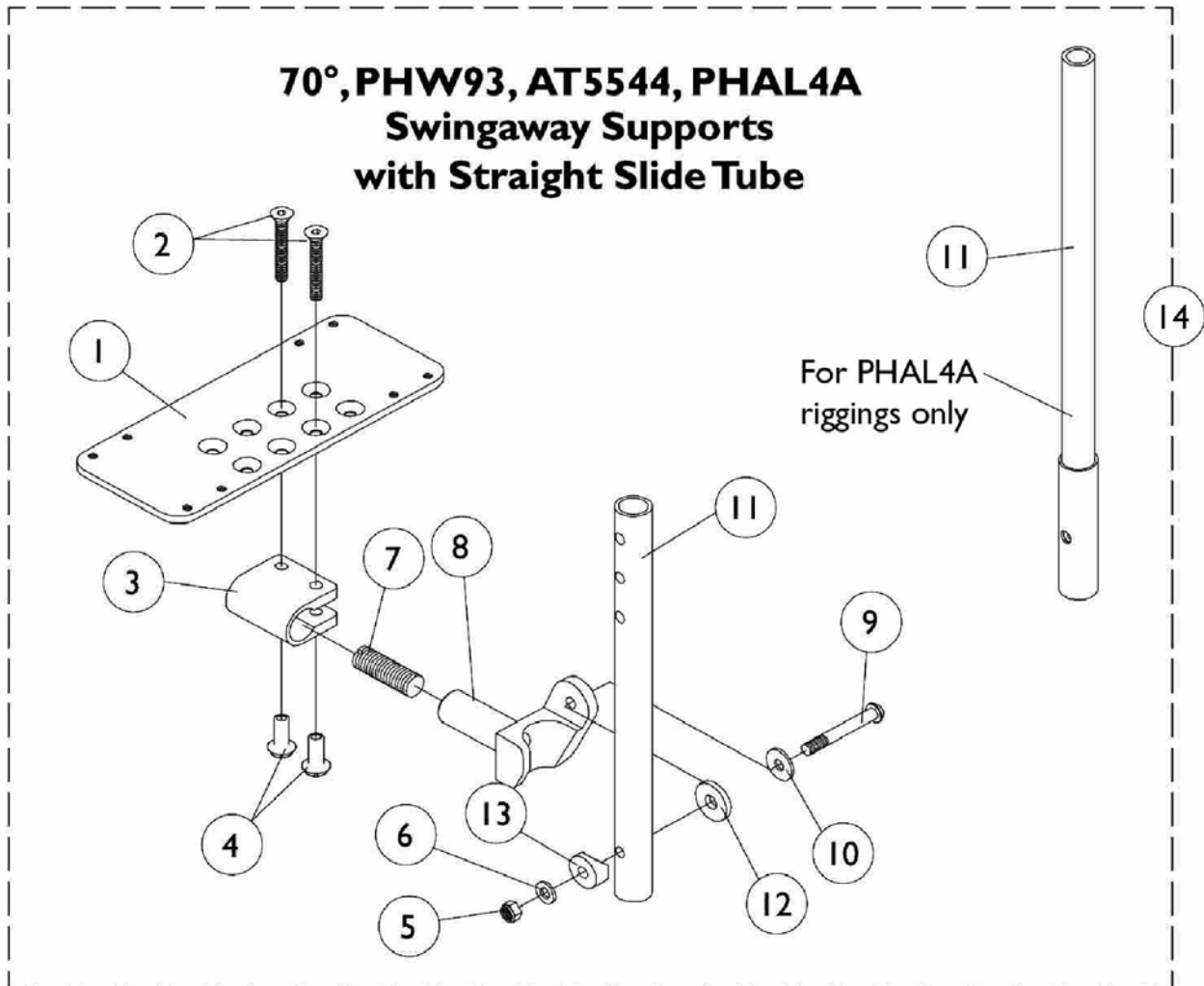
Item Number	Note	Part Number	Description	Quantity Per	
				Package	Assembly
1	A	1048834	Pivot/Slide Tube w/ Plug Button Assembly, Black	1	1
1	A	1098906	Pivot/Slide Tube w/ Plug Button Assembly, Black (2" Longer)	1	1
1	A	1086482	Pivot/Slide Tube w/ Plug Button Assembly, Black (4" Longer)	1	1
1	B	1041526	Pivot/Slide Tube w/ Plug Button Assembly, Steel, Chrome	1	1
2		1027097	Plug Button, Black (3/4")	1	1
3		1070168	Plug, Push, Footplate	1	1
4	C	44200X059	Footplate, Aluminum, Small, Black (6-3/4" W x 6" L)	1	1
4	D	44200X027	Footplate, Aluminum, Medium, Black (7-3/4" W x 6" L)	1	1
4		44200X025	Footplate, Aluminum, Extra Large, Black - Right (8" W x 8-1/2" L)	1	1
4		44200X026	Footplate, Aluminum, Extra Large, Black - Left (8" W x 8-1/2" L)	1	1
5		1016346	Cap, End, Tube, Black (7/8")	1	1
6		1027095	Plug Button, Black (7/8")	1	1
7		1006981	Spring, Leaf	1	2
8		40120X001	Screw, Phillips Pan Head (#8-32 x 3/8")	1	2
9		1018133	Plug Button, Black (5/8")	1	1
10		1036123	Spring, Leaf	1	1

NOTE: A - Extra Large footplate for AT5544, 70 NHD, PHW93.
 B - Standard Aluminum and Extra Large footplate for PHAL4A.
 C - For 14"-15" wide seats.
 D - For 16" and wider seats.

AT5543 Adjustable Angle Footplates

70deg, PHW93, AT5544, PHAL4A Swingaway Supports

NOTE: Heel loops are not included. See Footrest and Legrest Accessories.



AT5543 Adjustable Angle Footplates

70deg, PHW93, AT5544, PHAL4A Swingaway Supports

NOTE: Heel loops are not included. See Footrest and Legrest Accessories.

Item Number	Note	Part Number	Description	Quantity Per	
				Package	Assembly
1	B	1060426	Footplate, Medium Adjustable Angle, Black (4-1/4" W x 8" L)	1	1
1	C	1060427	Footplate, Large Adjustable Angle, Black (5-1/4" W x 8" L)	1	1
1	D	1062569	Footplate, Extra Large Adjustable Angle, Black (6-1/4" W x 8" L)	1	1
2		1029545	Screw, Socket Flat Head (1/4-20 x 3/4")	1	2
3		1058517	Clamp, Footplate	1	1
4		1082686	Nut, Hex Head (1/4-20 x 11/16")	1	2
5		7930333	Locknut (1/4-20)	25	1
6		1026907	Washer (1/4 x 1/2 x 1/16")	1	1
7		1048816	Screw, Nylon Adjustment (1/2-13 x 7/8")	1	1
8		1052102	Hinge, Footplate - Right	1	1
8		1052103	Hinge, Footplate - Left	1	1
9		7930321	Screw, Socket Button Head (1/4-20 x 1-7/8")	25	1
10		1026900	Washer (1/4 x 23/32 x 1/16")	1	1
11		1057855	Pivot/Slide Tube, Straight, Steel, Black (9-7/8" L)	1	1
11		1057856	Tube, Pivot/Slide Tube, Straight, Steel, Black (11-7/8" L)	1	1
11		1121135	Tube, Pivot/Slide, Straight, Steel, Black (13-7/8" L)	1	1
11	A	1091745	Tube, Pivot/Slide Tube, Straight, Steel, Chrome (13-7/8" L)	1	1
12		7930313	Washer, Nylon (5/16 x 7/8 x 1/8")	25	1
13		1025457	Spacer, Coved (1/4 x 3/4 x 11/32")	1	1
14		See Chart	#14 Pivot/Slide Tubes with Footplates	1	1
NOTE: A - For PHAL4A only. B - For 12-13" wide chairs. C - For 14-15" wide chairs. D - For 16" and wider chairs.					

AT5543 Adjustable Angle Footplates

70deg, PHW93, AT5544, PHAL4A Swingaway Supports

NOTE: Heel loops are not included. See Footrest and Legrest Accessories.

Item #14 Pivot/Slide Tube with Footplate Assemblies

Rigging Type	Side	12-13" W 4-1/2" Medium Footplate	14-15" W 5-1/4" Large Footplate	16" and Wider 6-1/4" X-Large Footplate
70, PHW93, AT5544	Right	1060442	1060444	1062756
	Left	1060443	1060445	1062757
70, PHW93, AT5544, 2" Longer Slide Tube	Right	N/A	1062758	1062760
	Left	N/A	1062759	1062761
70, PHW93, AT5544, 4" Longer Slide Tube	Right	N/A	1121138	1121140
	Left	N/A	1121139	1121141
PHAL4A	Right	N/A	1091775	1091777
	Left	N/A	1091776	1091778

Footrest and Legrest Accessories

NOTE: Heel loops for Power Articulating Legrest located on Power Articulating Legrest page.

Footplate Type	Chair Width	Heel Loop Single #	Heel Loop Pair #	Heel Loop w/ Ankle Strap Single # Rt.	Heel Loop w/ Ankle Strap Single # Lt.	Heel Loop w/ Ankle Strap Pair #	Attaching Hardware Pair #
Composite Small (1651)	12-14" W or 15-17" W Tapered	1028412	1035912	1035908	1035909	1035906	1035931
Composite Medium (1651)	15-16" W or 18-19" W Tapered	1017621	1035917	1035919	1035920	1035918	1035931
Composite Large (1651)	17-24" W or 20-24" W Tapered	1017621	1035917	1035932	1035933	1035930	1035931
Standard Aluminum (1650)	14-15" W	1025234	1035905	1035908	1035909	1035906	1035907
Standard Aluminum (1650)	16-24" W	1017621	1035917	1035919	1035920	1035918	1035907
X-Large Aluminum (1350)	16-24" W	1017621	1035917	1035919	1035920	1035918	1055241

Attaching Hardware Part Numbers (Less AT5543)

Footplate Type	Part Number	Part Number Consists of
Composite (1651)	1035931	2 each Screw, PPH (1/4-20 x 2-1/4") 2 each Spacer (1/4 x 11/32 x 1-3/4") 2 each Locknut (1/4-20)
Standard Aluminum (1650)	1035907	2 each Screw, PPH (1/4-20 x 2-1/2") 2 each Spacer (1/4 x 11/32 x 1-3/4") 2 each Locknut (1/4-20)
X-Large Aluminum (1350)	1055241	2 each Screw, PPH (1/4-20 x 2-1/4") 2 each Spacer (1/4 x 11/32 x 1-3/4") 2 each Locknut (1/4-20)

Footrest and Legrest Accessories

NOTE: Heel loops for Power Articulating Legrest located on Power Articulating Legrest page.

Footrest and Legrest Accessories

NOTE: Heel loops for Power Articulating Legrest located on Power Articulating Legrest page.

Heel Loops, Heel Loops w/ Ankle Straps and Hardware (For AT5543)

Footplate Type	Part Number	Part Number Consists of
AT5543 Adj. Angle	1038245 Kit, Heel Loop w/ Hardware, Adjustable Angle Footplate (Pair)	2 each Heel Loops 4 each Screw, SHC (#10-32 x 1-1/2") 4 each Spacer (1/4 x 5/16 x 1-3/32") 4 each Washer (3/16 x 7/16 x 1/16")
AT5543 Adj. Angle	1038246 Kit, Heel Loop w/ Ankle Strap and Hardware, Adjustable Angle Footplate (Pair)	2 each Heel Loops w/ Ankle Straps 4 each Screw, SHC (10-32 x 1-1/2") 4 each Spacer (1/4 x 5/16 x 1-3/32") 4 each Washer (3/16 x 7/16 x 1/16")

Toe Loops (1345) and Attaching Hardware

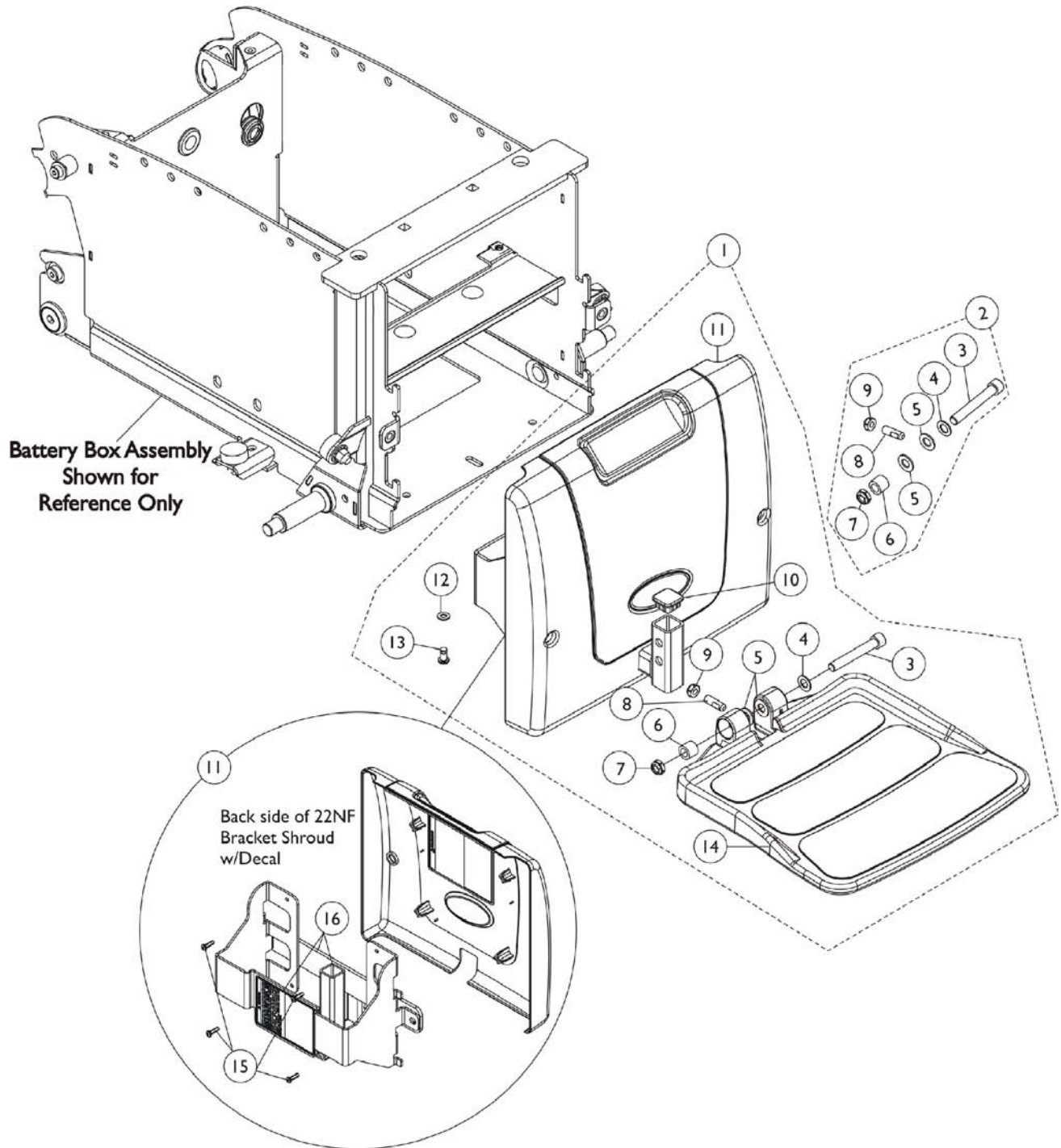
Footplate Type	Toe Loop w/o Hardware Single #	Toe Loop w/o Hardware Pair #	Attaching Hardware Part Number	Attaching Hardware Consists of
1651, 1650, 1350, Footplates	04572X025	1037087	1037089	4 each Screw, PPH (#10-32 x 7/8") 4 each Washer (1/4 x 3/4 x 3/32") 4 each Locknut (#10-32)
AT5543 Footplates	04572X025	1037087	1104749	4 each Screw, PPH (10-32 x 1/2") 4 each Washer (1/4 x 3/4 x 3/32")

Footrest and Legrest Accessories

NOTE: Heel loops for Power Articulating Legrest located on Power Articulating Legrest page.

Item Number	Note	Part Number	Description	Quantity Per	
				Package	Assembly
	A	1032243	Strap, Calf w/ Hook and Loop (36" L)	1	1
	A,B	1032214	H-Strap (24" L)	1	1
	A,C	1032215	H-Strap (26" L)	1	1
	A,D	1032216	H-Strap (31" L)	1	1
	A	1026987	Guard, Impact (8" L)	1	2
	A	See Chart	Heel Loops and Hardware (Less AT5543)	1	1
	A	See Chart	Attaching Hardware Part Numbers	1	1
	A	See Chart	Heel Loops, Heel Loops w/ Ankle Straps and Hardware AT5543	1	1
	A	See Chart	Toe Loops and Hardware	1	1
NOTE: A - Not Shown. B - 12-14" wide seats. C - 15-16" wide seats. D - 17" and wider seats.					

90FB Flip-Up Removable Footboard Assembly

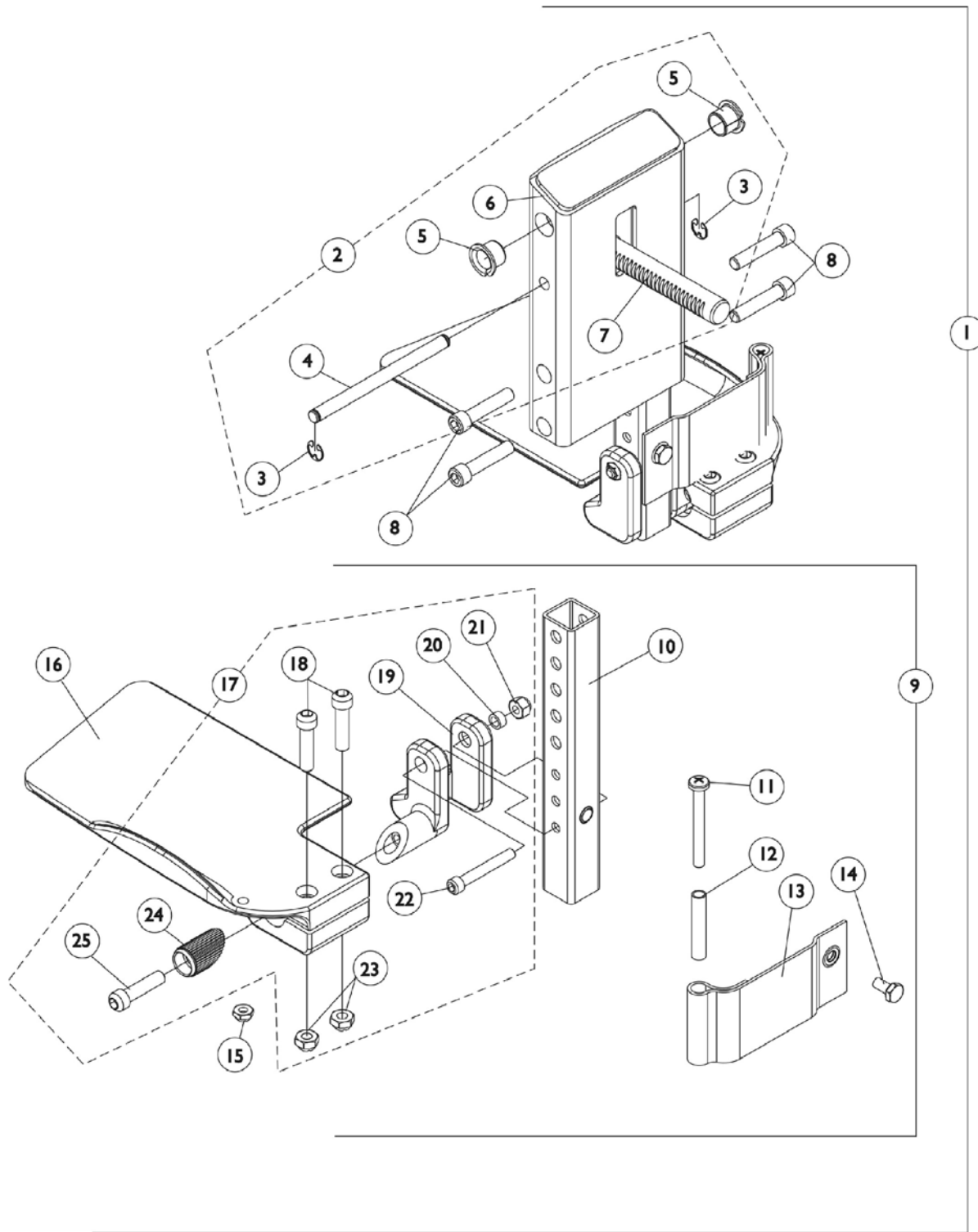


90FB Flip-Up Removable Footboard Assembly

Item Number	Note	Part Number	Description	Quantity Per	
				Package	Assembly
1	A	1147943	Kit, 90FB Footboard, Bracket, Shroud, Decal and Hardware (For 22NF Batteries)	1	1
2	B	1147134	Kit, Footboard Mounting Hardware	1	1
3			Screw, Socket Head (3/8-16 x 2-1/2")	1	1
4			Washer, Flat (3/8 x 11/16 x 1/16")	1	1
5			Washer, Nylon (3/8 x 3/4 x 1/16")	1	2
6			Bushing (3/8 x 5/8 x 1/2")	1	1
7			Locknut, Low Profile (3/8-16)	1	1
8			Screw, Set Socket Flat Point (5/16-18 x 1")	1	1
9			Locknut (5/16-18)	1	1
10			C	1105038	Plug Button, Black (1" Square)
11	1147937	Kit, Shroud with Bracket (For 22NF Batteries)		1	1
12	1026907	Washer (1/4 x 1/2 x 1/16")		1	1
13	1078214	Screw, Hex Head Cap w/ Patch (1/4-20 x 1/2")		1	1
14	1114311	Footboard w/ Cover (11-1/4" W x 11-1/2" L)		1	1
15	1114276	Screw, Phillips Pan Head (#8-16 x 5/8")		1	4
16	1147133	Kit, Bracket with Decal (For 22NF Batteries)		1	1
NOTE: A - Includes items 3-14 B - Includes items 3-9 C - Includes items 15 and 16					

Front Rigging - Center Mount Rigging (CTMT-FJ)

(CTMT-FJ = 9-1/4" - 12" Range)



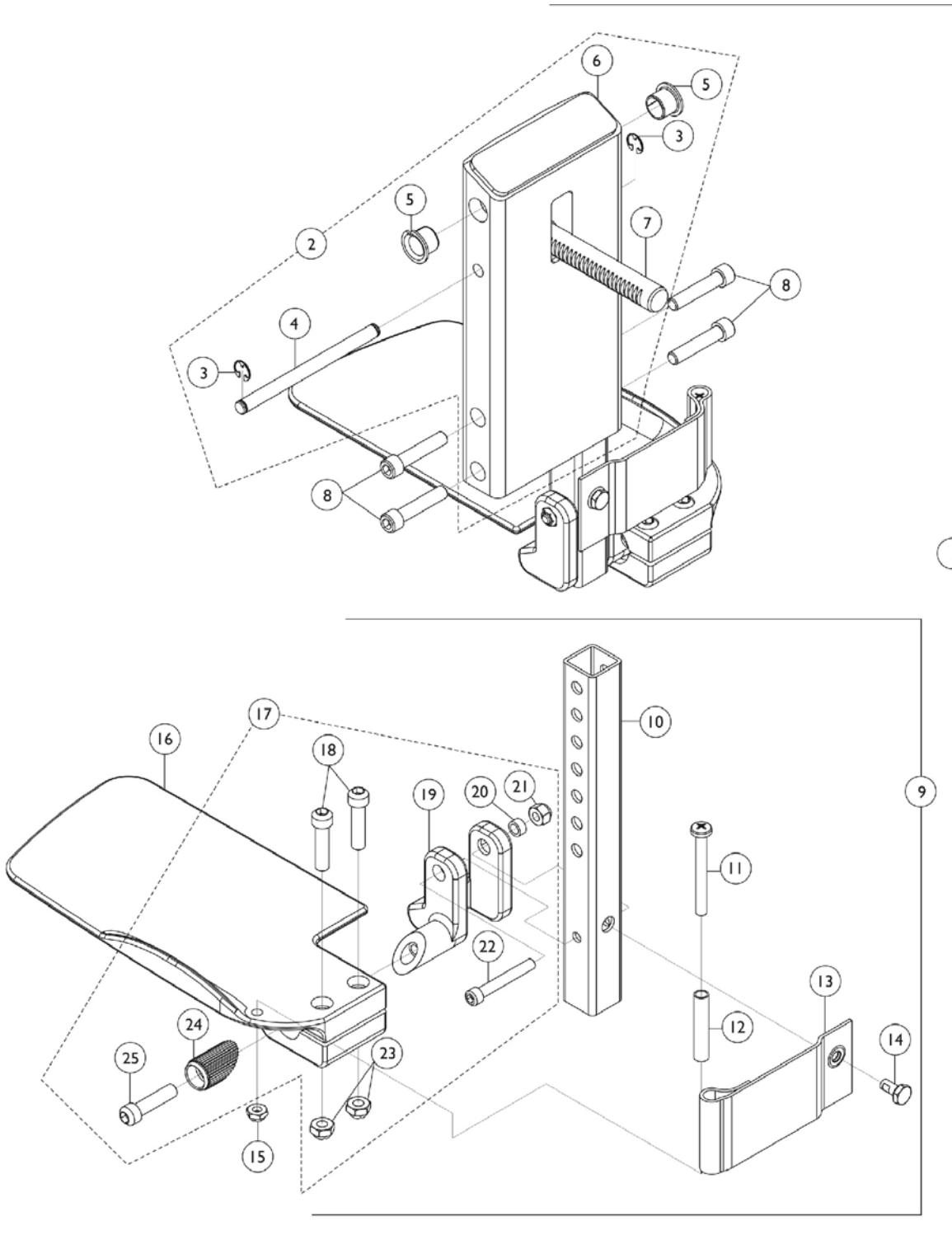
Front Rigging - Center Mount Rigging (CTMT-FJ) (CTMT-FJ = 9-1/4" - 12" Range)

Item Number	Note	Part Number	Description	Quantity Per	
				Package	Assembly
1	A	1121990	Center Mount Rigging Assembly, Junior (CTMTJ/CTMT-FJ) ASBA/ADJASBA (9-1/4 - 12" Range)	1	1
2	B	1123021	Legrest Support Assembly, Center Mount, Junior, Black	1	1
3		1113376	Ring, Retainer (1/4 x 1/2 x 1/64")	1	2
4		1113373	Pin, Angle Adjustable A.S.B.A.	1	1
5		1110669	Bearing, Flange (1/2 x 13/16 x 1/2")	1	2
6		1121984	Support, Junior Legrest (CTMTJ/CTMT-FJ)	1	1
7		1113372	Rack, Center Mount Rigging Angle Adjustable	1	1
8		1021344	Screw, Socket Head (5/16-18 x 1-1/2")	1	4
9	C	1123042	Extension Tube and Footplate Assembly w/ Heel Loop, Junior - Right	1	1
9	C	1123043	Extension Tube and Footplate Assembly w/ Heel Loop, Junior - Left	1	1
10		1123044	Tube, Footrest Extension, Short (CTMTJ/CTMT-FJ = 9-1/4 - 12") (CTMT/CTMT-F = 12-1/4 - 15") (PCTMT = 10 - 13")	1	1
11		1021421	Screw, Phillips Pan Head (1/4-20 x 2-1/4")	1	2
12		1006477	Spacer (1/4 x 11/32 x 1-3/4")	1	2
13		1121996	Heel Loop, Center Mount Rigging	1	2
14		1078214	Screw, Hex Head Cap w/ Patch (1/4-20 x 1/2")	1	2
15		1025195	Locknut (1/4-20)	1	2
16		1121988	Footplate, CTMTJ/CTMT-FJ - Right (5-1/4" W x 8-13/16" L)	1	1
16		1121989	Footplate, CTMTJ/CTMT-FJ - Left (5-1/4" W x 8-13/16" L)	1	1
17	D	1120345	Center Mount Rigging Footplate Mounting Hardware - Right	1	1
17	D	1121123	Center Mount Rigging Footplate Mounting Hardware - Left	1	1
18		1021343	Screw, Socket Head (5/16-18 x 1-1/4")	1	2
19		1113384	Hinge, Adjustable Angle - Right	1	1
19		1113385	Hinge, Adjustable Angle - Left	1	1
20		1047449	Spacer (1/4 x 3/8 x 3/16")	1	1
21		1065362	Locknut (1/4-28)	1	1
22		1096810	Screw, Socket Head (1/4-28 x 1-3/4")	1	1
23		1108122	Locknut (5/16-18)	1	2
24		1113530	Attachment, Hinge	1	1
25		1021343	Screw, Socket Head (5/16-18 x 1-1/4")	1	1

NOTE: A - Includes items 2, 8 and 9.
B - Includes items 3-7.
C - Includes items 10-16 and 17.
D - Includes items 18-25.

Front Rigging - Center Mount Rigging (CTMT-F)

(CTMT-F = 12-1/4" - 15" Range)

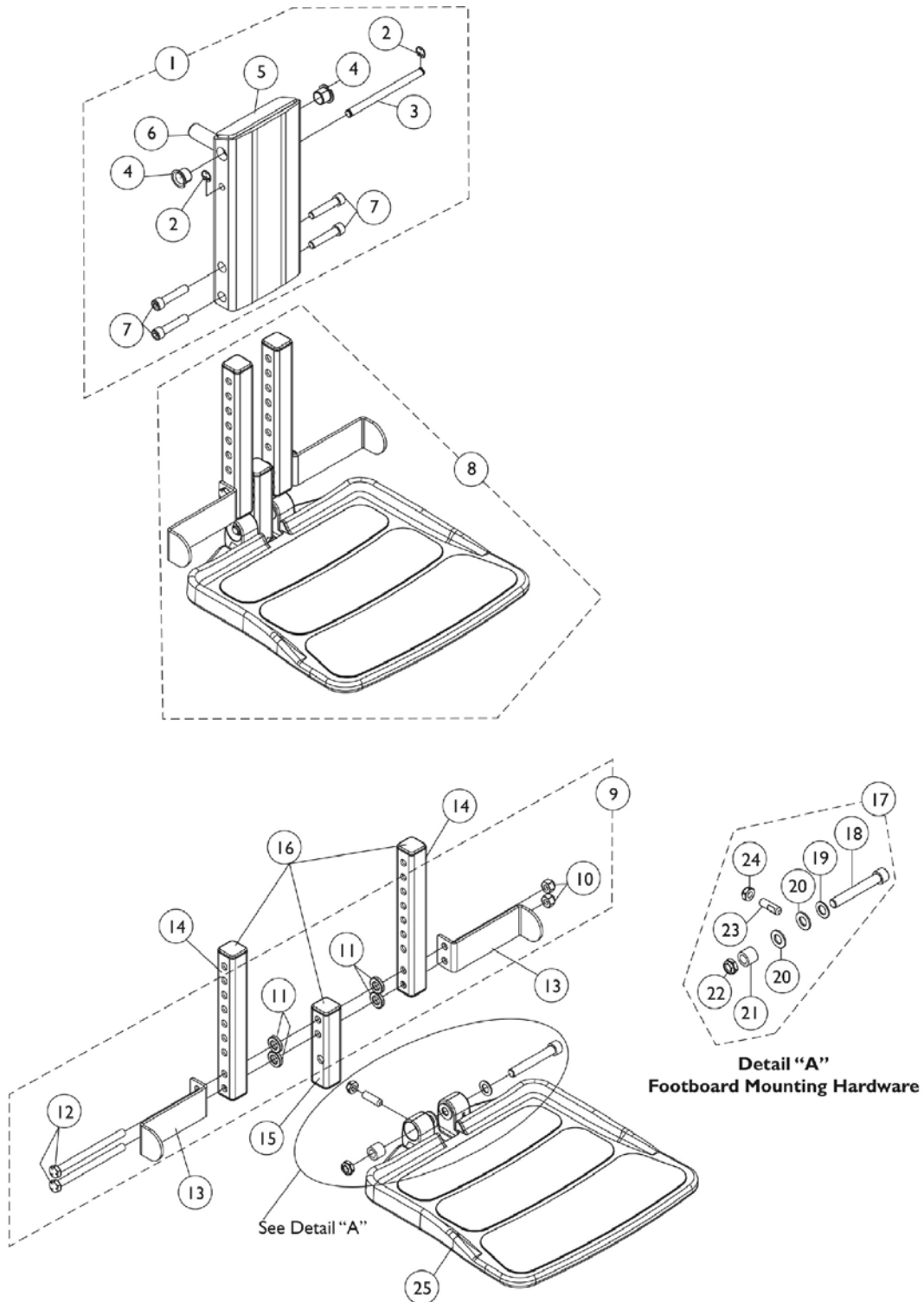


Front Rigging - Center Mount Rigging (CTMT-F) (CTMT-F = 12-1/4" - 15" Range)

Item Number	Note	Part Number	Description	Quantity Per	
				Package	Assembly
1	A	1117262	Center Mount Rigging Assembly (CTMT) (CTMT-F), ASBA/ADJASBA (12-1/4 - 15" Range)	1	1
2	B	1120346	Legrest Support Assembly, Center Mount, Black	1	1
3		1113376	Ring, Retainer (1/4 x 1/2 x 1/64")	1	2
4		1113373	Pin, Angle Adjustable A.S.B.A.	1	1
5		1110669	Bearing, Flange (1/2 x 13/16 x 1/2")	1	2
6		1113609	Support, Center Mount Rigging Legrest, Black	1	1
7		1113372	Rack, Center Mount Rigging Angle Adjustable	1	1
8		1021344	Screw, Socket Head (5/16-18 x 1-1/2")	1	4
9	C	1123034	Extension Tube and Footplate Assembly w/ Heel Loop, Short - Right	1	1
9	C	1123035	Extension Tube and Footplate Assembly w/ Heel Loop, Short - Left	1	1
10		1123044	Tube, Footrest Extension, Short (CTMTJ/CTMT-FJ = 9-1/4 - 12") (CTMT/CTMT-F = 12-1/4 - 15") (PCTMT = 10 - 13")	1	1
11		1021421	Screw, Phillips Pan Head (1/4-20 x 2-1/4")	1	2
12		1006477	Spacer (1/4 x 11/32 x 1-3/4")	1	2
13		1121996	Heel Loop, Center Mount Rigging	1	2
14		1078214	Screw, Hex Head Cap w/ Patch (1/4-20 x 1/2")	1	2
15		1025195	Locknut (1/4-20)	1	2
16		1113606	Footplate, Center Mount Rigging, Black - Right (5-1/4" W x 9-5/8" L)	1	1
16		1113607	Footplate, Center Mount Rigging, Black - Left (5-1/4" W x 9-5/8" L)	1	1
17	D	1120345	Center Mount Rigging Footplate Mounting Hardware - Right	1	1
17	D	1121123	Center Mount Rigging Footplate Mounting Hardware - Left	1	1
18		1021343	Screw, Socket Head (5/16-18 x 1-1/4")	1	2
19		1113384	Hinge, Adjustable Angle - Right	1	1
19		1113385	Hinge, Adjustable Angle - Left	1	1
20		1047449	Spacer (1/4 x 3/8 x 3/16")	1	1
21		1065362	Locknut (1/4-28)	1	1
22		1096810	Screw, Socket Head (1/4-28 x 1-3/4")	1	1
23		1108122	Locknut (5/16-18)	1	2
24		1113530	Attachment, Hinge	1	1
25		1021343	Screw, Socket Head (5/16-18 x 1-1/4")	1	1

NOTE: A - Includes items 2, 8 and 9.
B - Includes items 3-7.
C - Includes items 10-16 and 17.
D - Includes items 18-25.

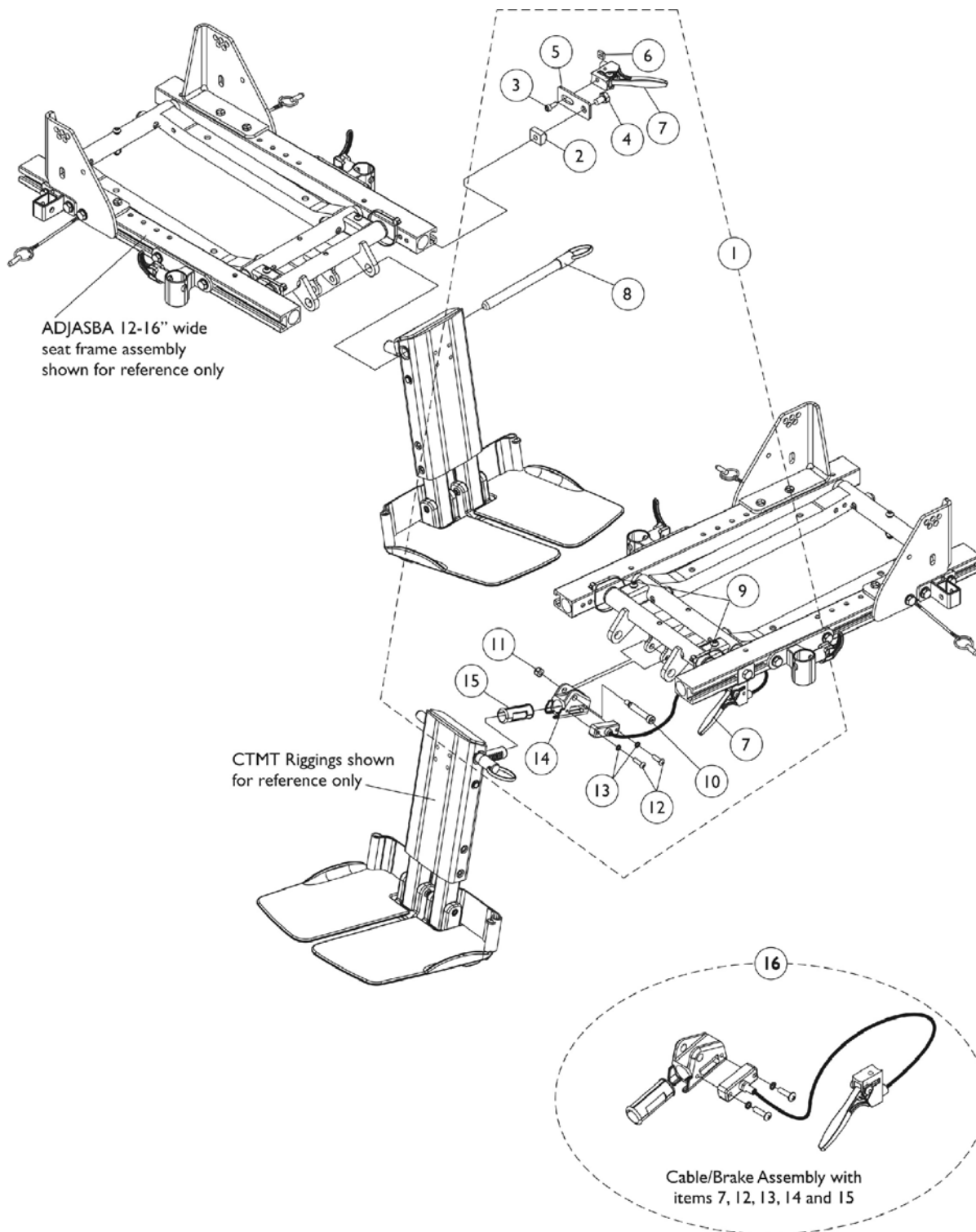
Front Rigging - Center Mount Rigging (CTMT-F with FBCTMT One PC Flip-Up Footboard) (CTMT-F = 12-1/4" - 15" Range)



Front Rigging - Center Mount Rigging (CTMT-F with FBCTMT One PC Flip-Up Footboard) (CTMT-F = 12-1/4" - 15" Range)

Item Number	Note	Part Number	Description	Quantity Per	
				Package	Assembly
1	A	1148725	Legrest Support Assembly, Center Mount Rigging	1	1
2			Ring, Retainer (1/4 x 1/2 x 1/64")	1	2
3			Pin, Angle Adjustable A.S.B.A.	1	1
4			Bearing, Flange (1/2 x 13/16 x 1/2")	1	2
5			Support, Center Mount Rigging Legrest, Black	1	1
6			Rack, Center Mount Rigging Angle Adjustable	1	1
7			Screw, Socket Head (5/16-18 x 1-1/2")	1	4
7		1021344	Screw, Socket Head (5/16-18 x 1-1/2")	1	4
8	B	1148722	Footboard Assembly, FBCTMT (For CTMT-F 12-1/4 - 15" & PCTMT 10 - 13")	1	1
9	C	1144608	Kit, Heel Stop and Extension Tube Mounting Hardware	1	1
10			Locknut (5/16-18)	1	2
11			Bushing, Actuator Motor (3/8 x 3/4 x 5/32")	1	4
12			Screw, Hex Head (5/16-18 x 4")	1	2
13		1153789	Bracket, Heel Stop, Black	1	2
14		1148711	Tube, Extension, Black 104355- Short (For CTMT-F 12-1/4" - 15" Range & PCTMT 10"-13" Range)	1	2
15	D	1144607	Tube, Vertical Support with Caps	1	1
16		1144609	Package, End Cap (1" Square)	10	1
17	E	1147134	Kit, Footboard Mounting Hardware	1	1
18			Screw, Socket Head (3/8-16 x 2-1/2")	1	1
19			Washer, Flat (3/8 x 11/16 x 1/16")	1	1
20			Washer, Nylon (3/8 x 3/4 x 1/16")	1	2
21			Bushing (3/8 x 5/8 x 1/2")	1	1
22			Locknut, Low Profile (3/8-16)	1	1
23			Screw, Set Socket Flat Point (5/16-18 x 1")	1	1
24			Locknut (5/16-18)	1	1
25		1114311	Footboard w/ Cover (11-1/4" W x 11-1/2" L)	1	1
<p>NOTE: A - Includes items 2-7. B - Includes items 9, 13, 14, 15, 17 and 25. C - Includes items 10-12. D - Extension Tube and Vertical Support Tube includes Tube Caps at both ends. E - Includes items 18-24.</p>					

Center Mount Rigging Mounting Hardware (CTMT-F/CTMT-FJ) ADJASBA Seats (12-16" Wide)

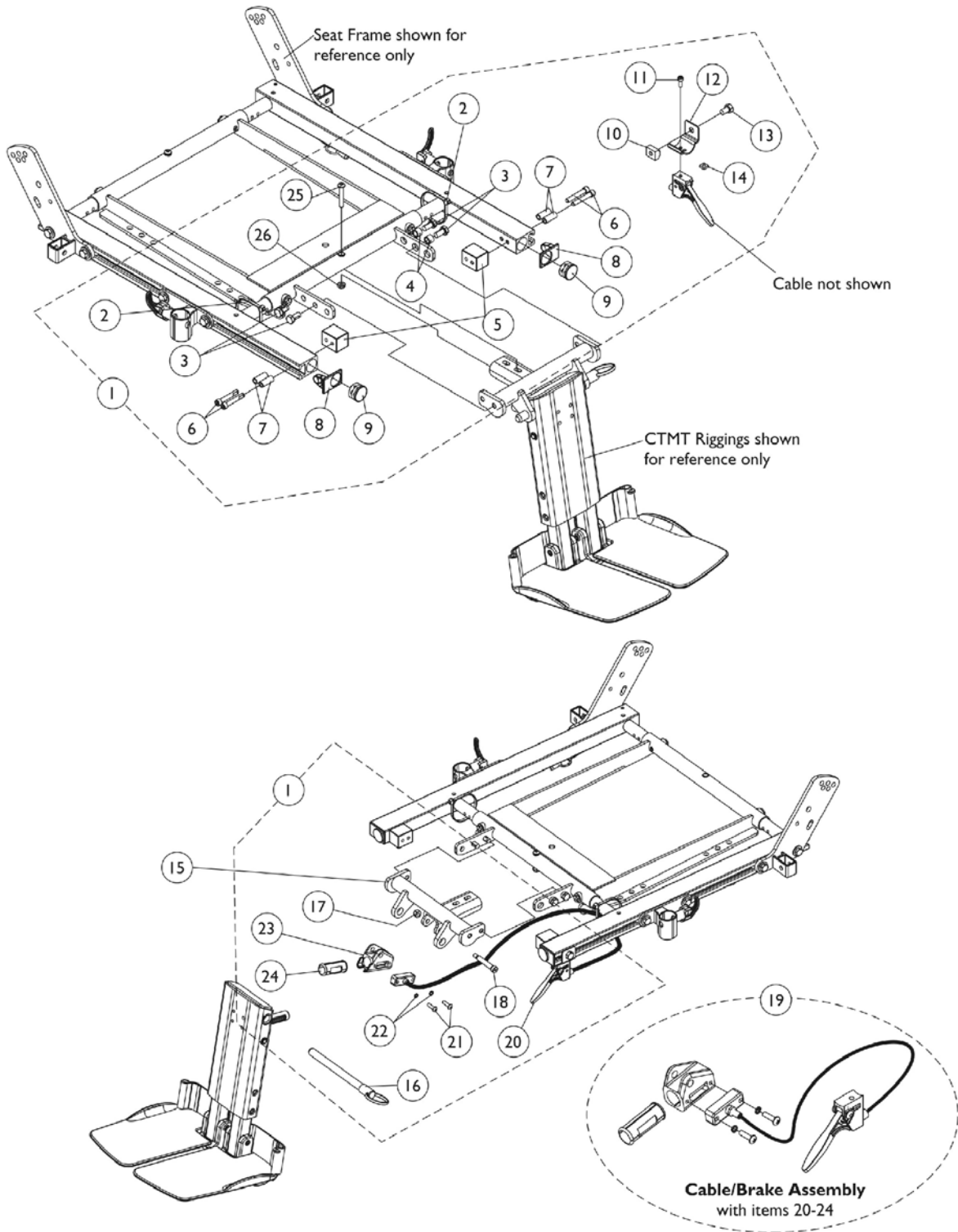


Center Mount Rigging Mounting Hardware (CTMT-F/CTMT-FJ) ADJASBA Seats (12-16" Wide)

Item Number	Note	Part Number	Description	Quantity Per	
				Package	Assembly
1	A	1135960	Kit, Center Mount Rigging Mounting Hardware	1	1
2			T-Nut (5/16-18)	1	1
3			Screw, Socket Head (#10-32 x 1/2")	1	1
4			Screw, Hex Head Cap w/ Patch (5/16-18 x 1/2")	1	1
5			Bracket, Release Handle Mounting, Black	1	1
6			Nut, Square (#10-32)	1	1
7			Cable/Brake Assembly	1	1
8			Pin, Quick Release (5" Long)	1	1
9			Tie Wrap (11-1/2" L)	1	2
10			Screw, Shoulder Hex Socket Head (5/16" x 1-5/8", 1/4-20)	1	1
11			Locknut (1/4-20)	1	1
12			Screw, Phillips Pan Head (#10-32 x 11/16")	1	2
13			Washer, Lock (3/16 x 5/16 x 1/32")	1	2
14			Housing, Ratchet	1	1
15			Bearing, Glide	1	1
16	B	1121079	Cable/Brake Assembly w/ Ratchet Housing and Glide Bearing	1	1

NOTE: A - Includes items 2-15.
B - Includes items 7 and 12-15.

Center Mount Rigging Mounting Hardware (CTMT-F/CTMT-FJ) ADJASBA Seats (16"-22" Wide)

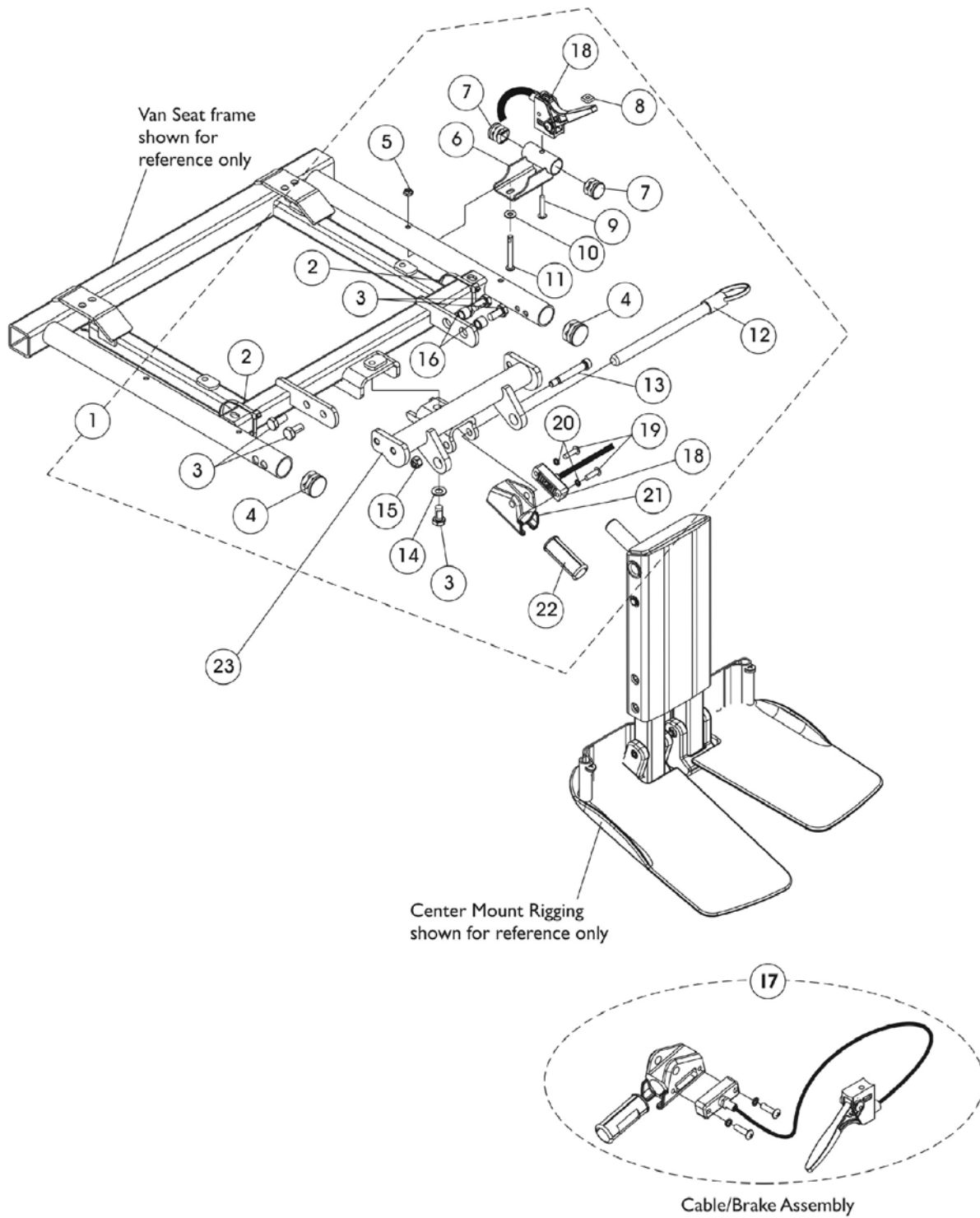


Center Mount Rigging Mounting Hardware (CTMT-F/CTMT-FJ) ADJASBA Seats (16"-22" Wide)

Item Number	Note	Part Number	Description	Quantity Per	
				Package	Assembly
1	A	1124701	Kit, CTMT-F/CTMT-FL/CTMT-FJ Center Mount Riggings Mounting Hardware	1	1
2			Tie Wrap (11-1/2" L)	1	2
3			Screw, Hex Head (5/16-18 x 5/8")	1	4
4			Spacer (5/16 x 7/16 x 3/8")	1	2
5			Block, Threaded	1	2
6			Screw, Socket Head Cap w/ Patch (1/4-20 x 1-1/2")	1	4
7			Spacer (1/4 x 3/8 x 29/32")	1	4
8			Cap, End, Side Rail, Black	1	2
9			Plug Button, Black (1")	1	2
10			T-Nut (5/16-18)	1	1
11			Screw, Socket Head (#10-32 x 1/2")	1	1
12			Bracket, Release Handle Mounting, Black	1	1
13			Screw, Hex Head Cap w/ Patch (5/16-18 x 1/2")	1	1
14			Nut, Square (#10-32)	1	1
16			Pin, Quick Release (5" Long)	1	1
17			Locknut (1/4-20)	1	1
18			Screw, Shoulder Hex Socket Head (5/16" x 1-5/8", 1/4-20)	1	1
20			Cable/Brake Assembly	1	1
21			Screw, Phillips Pan Head (#10-32 x 11/16")	1	2
22			Washer, Lock (3/16 x 5/16 x 1/32")	1	2
23			Housing, Ratchet	1	1
24			Bearing, Glide	1	1
25			Screw, Socket Button Head (1/4-20 x 1-1/2")	1	1
26			Locknut (1/4-20)	1	1
15	C	1122675	Support, Center Mount Rigging, Black (16"-19" D)	1	1
15	D	1136001	Support, Center Mount Rigging, Long, Black (19"-22" D)	1	1
19	B	1121079	Cable/Brake Assembly w/ Ratchet Housing and Glide Bearing	1	1
20		1113622	Cable/Brake Assembly	1	1
21		40163X008	Screw, Phillips Pan Head (#10-32 x 11/16")	1	2
22		1028527	Washer, Lock (3/16 x 5/16 x 1/32")	1	2
23		1113389	Housing, Ratchet	1	1
24		1113383	Bearing, Glide	1	1

NOTE: A - Includes items 2-14, 16-18 and 20-26.
B - Includes items 20-24.
C - Support used for 16"-19" deep seats.
D - Support used for 19"-22" deep seats.

Center Mount Rigging Mounting Hardware (CTMT-F/CTMT-FJ) For Van Seats



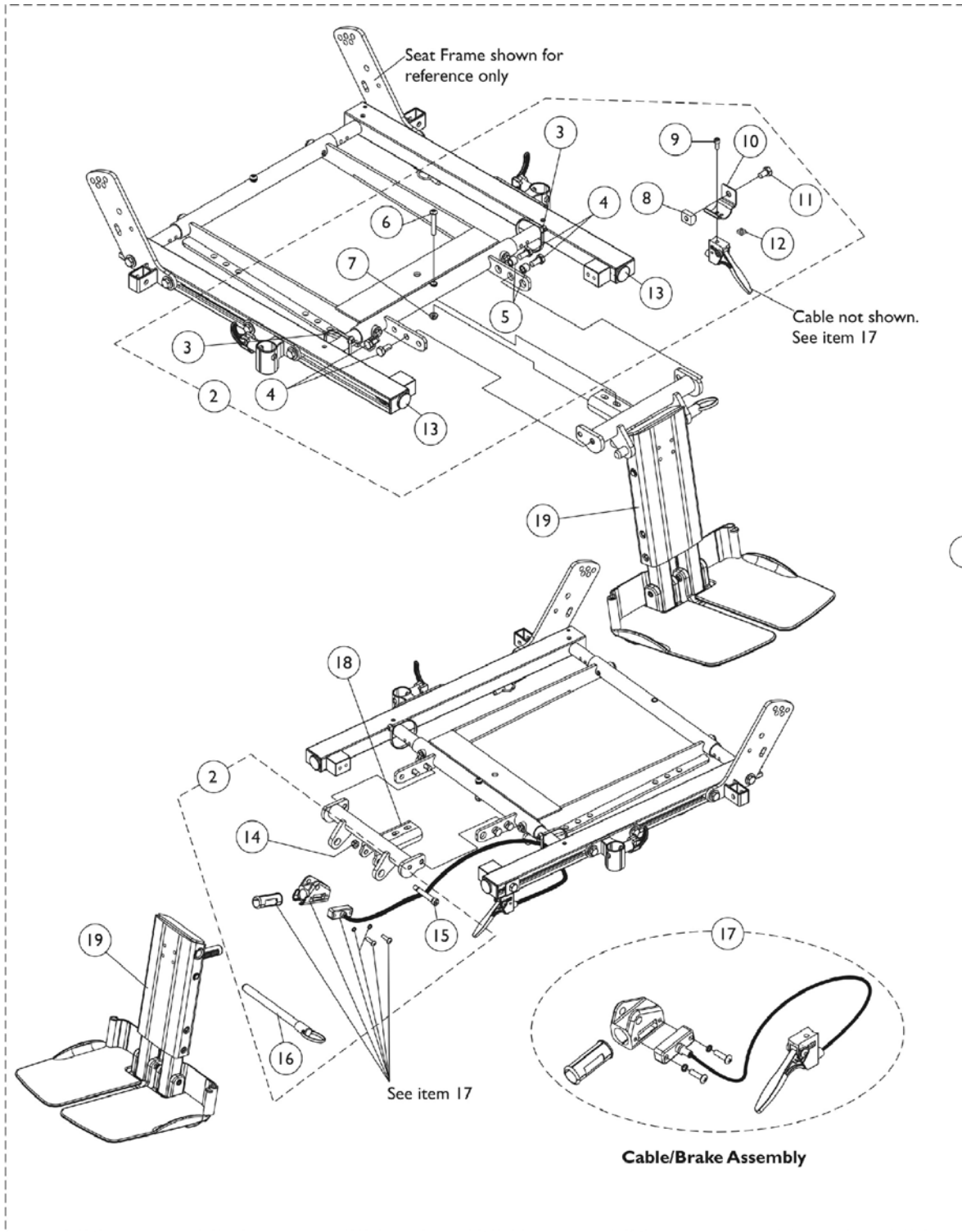
Center Mount Rigging Mounting Hardware (CTMT-F/CTMT-FJ) For Van Seats

Item Number	Note	Part Number	Description	Quantity Per	
				Package	Assembly
1	A	1146629	Kit, Center Mount Rigging Mounting Hardware For Van Seat	1	1
2			Tie Wrap (11-1/2" L)	1	2
3			Screw, Hex Head (5/16-18 x 5/8")	1	5
4			Plug Button, Black (1")	1	2
5			Locknut (#10-32)	1	1
6			Bracket, Release Handle, Black, Van Seat	1	1
7			Plug Button, Black (3/4")	1	2
8			Nut, Square (#10-32)	1	1
9			Screw, Phillips Pan Head (#10-32 x 1")	1	1
10			Washer, Plain (3/16 x 1/2 x 1/16")	1	1
11			Screw, Phillips Pan Head w/ Patch (#10-32 x 1-5/8")	1	1
12			Pin, Quick Release (5" Long)	1	1
13			Screw, Shoulder Hex Socket Head (5/16" x 1-5/8", 1/4-20)	1	1
14			Washer, Flat (5/16 x 5/8 x 1/16")	1	1
15			Locknut (1/4-20)	1	1
16			Spacer (5/16 x 7/16 x 3/8")	1	2
18			Cable/Brake Assembly	1	1
19			Screw, Phillips Pan Head (#10-32 x 11/16")	1	2
20			Washer, Lock (3/16 x 5/16 x 1/32")	1	2
21			Housing, Ratchet	1	1
22			Bearing, Glide	1	2
23		1147077	Support, Center Mount Rigging For Van Seat, Black	1	1
17	B	1121079	Cable/Brake Assembly w/ Ratchet Housing and Glide Bearing	1	1

NOTE: A - Includes items 2-22.
B - Includes items 19-22.

Center Mount Rigging KIT

For (CTMT-F/CTMT-FJ) Riggings



Center Mount Rigging KIT For (CTMT-F/CTMT-FJ) Riggings

Item Number	Note	Part Number	Description	Quantity Per	
				Package	Assembly
1	A	1129453	Kit, Center Mount Rigging (CTMT-F 12-1/4"-15" Range & 16"-19" Seat Depths)	1	1
1	A	1129455	Kit, Center Mount Rigging (CTMT-FJ 9-1/4"-12" Range & 16"-19" Seat Depths)	1	1
1	A	1134118	Kit, Center Mount Rigging (CTMT-F 12-1/4"-15" Range & 19"-22" Seat Depths)	1	1
1	A	1134120	Kit, Center Mount Rigging (CTMT-FJ 9-1/4"-12" Range & 19"-22" Seat Depths)	1	1
2	B	1129451	Kit, CTMT-F/CTMT-FL/CTMT-FJ Center Mount Riggings Mounting Hardware	1	1
3			Tie Wrap (11-1/2" L)	1	2
4			Screw, Hex Head (5/16-18 x 5/8")	1	4
5			Spacer (5/16 x 7/16 x 3/8")	1	2
6			Screw, Socket Button Head (1/4-20 x 1-1/2")	1	1
7			Locknut (1/4-20)	1	1
8			T-Nut (5/16-18)	1	1
9			Screw, Socket Head (#10-32 x 1/2")	1	1
10			Bracket, Release Handle Mounting, Black	1	1
11			Screw, Hex Head Cap w/ Patch (5/16-18 x 1/2")	1	1
12			Nut, Square (#10-32)	1	1
13			Plug Button, Black (1")	1	2
14			Locknut (1/4-20)	1	1
15			Screw, Shoulder Hex Socket Head (5/16" x 1-5/8", 1/4-20)	1	1
16			Pin, Quick Release (5" Long)	1	1
17		1121079	Cable/Brake Assembly w/ Ratchet Housing and Glide Bearing	1	1
18		1122675	Support, Center Mount Rigging, Black (16"-19" D)	1	1
18		1136001	Support, Center Mount Rigging, Long, Black (19"-22" D)	1	1
19		1117262	Center Mount Rigging Assembly (CTMT) (CTMT-F), ASBA/ADJASBA (12-1/4 - 15" Range)	1	1
19		1121990	Center Mount Rigging Assembly, Junior (CTMTJ/CTMT-FJ) ASBA/ADJASBA (9-1/4 - 12" Range)	1	1
	C	1129450	Instruction Sheet, Center Mount Rigging Kit For ADJASBA Seats	1	1

NOTE: A - Includes items 1, 2, 17-19 and the Instruction Sheet.
 B - Includes items 3-16.
 C - Not Shown.

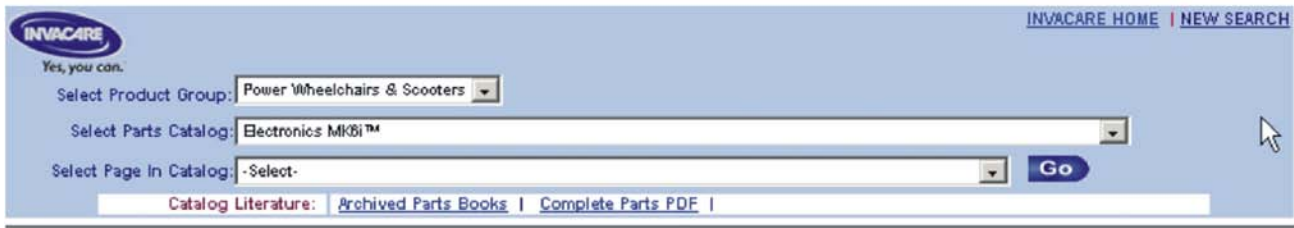
MK6i Electronics

If you are looking for **MK6i™ Electronics** introduced to the TDX SI Powered Wheelchair

The parts catalog information is now divided into two separate catalogs.

Web Page

The MK6i™ Electronics information can be found on the Invacare web page by selecting “Electronics MK6i™” in the “Select Parts Catalog” drop down menu.



The screenshot shows the Invacare website's navigation area. At the top left is the Invacare logo with the tagline "Yes, you can." and the text "INVACARE HOME | NEW SEARCH" at the top right. Below the logo, there are three dropdown menus: "Select Product Group:" with "Power Wheelchairs & Scooters" selected, "Select Parts Catalog:" with "Electronics MK6i™" selected, and "Select Page In Catalog:" with "-Select-" selected. A blue "Go" button is to the right of the third dropdown. Below the dropdowns is a navigation bar with "Catalog Literature:" followed by links for "Archived Parts Books" and "Complete Parts PDF".

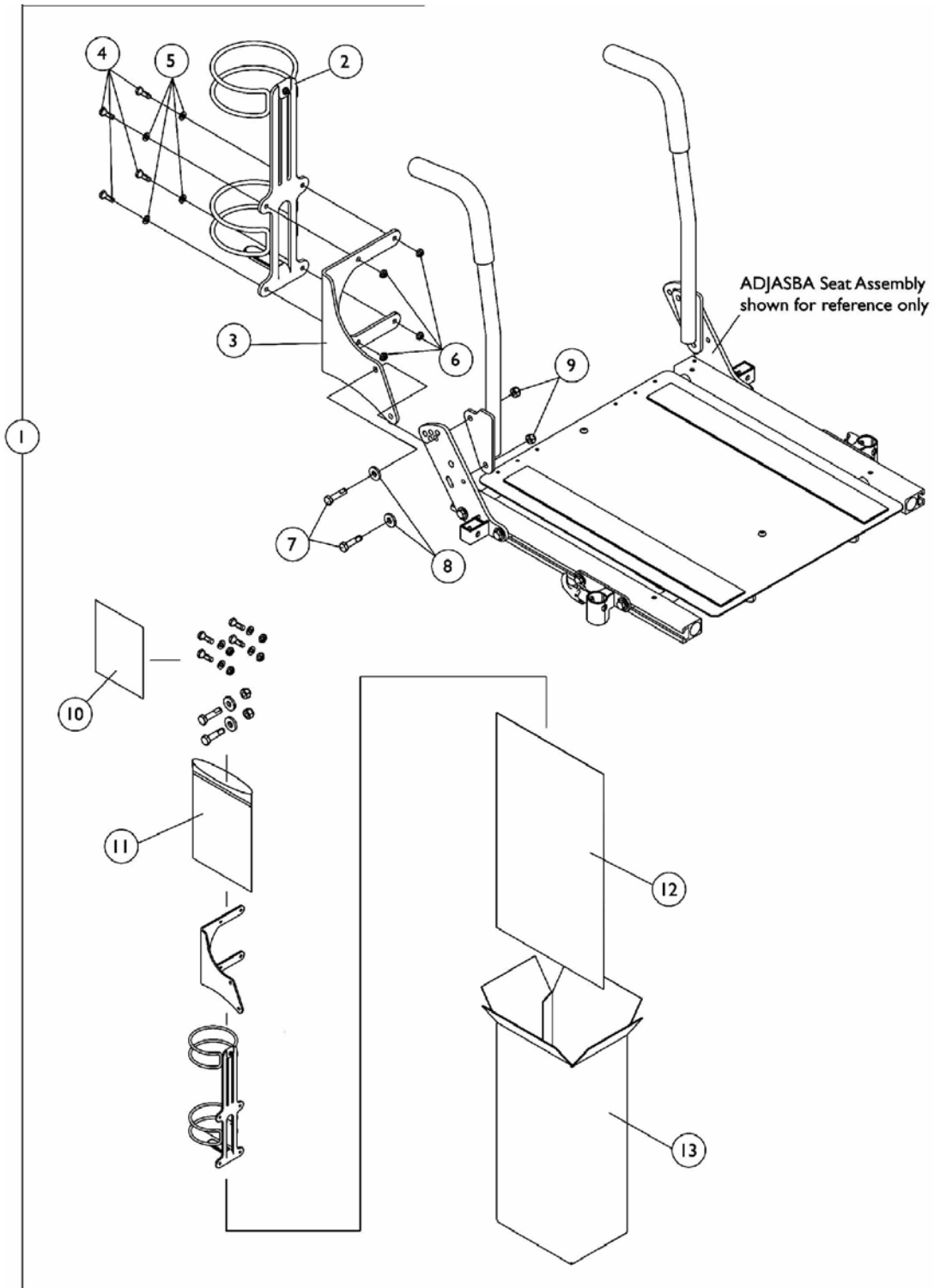
Printed Catalog

The MK6i™ Electronics information can be found in printed copy at our Literature Fulfillment Center listed under form # 06-110 and titled “MK6i™ Electronics”.

Oxygen Holder Assembly Kit

ADJASBA Seats

NOTE: Oxygen holder is not available on recliner options and the 12"-16" wide ADJASBA Seat Frame



Oxygen Holder Assembly Kit ADJASBA Seats

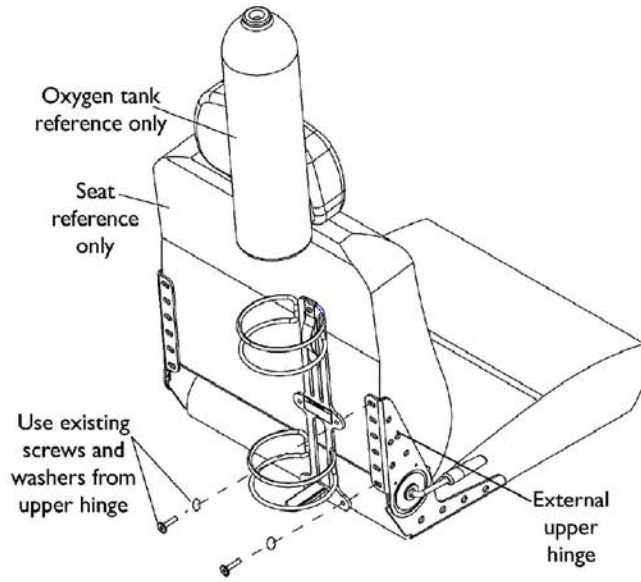
NOTE: Oxygen holder is not available on recliner options and the 12"-16" wide ADJASBA Seat Frame

Item Number	Note	Part Number	Description	Quantity Per	
				Package	Assembly
1	A	1135504	Kit, Oxygen Holder Assembly For ADJASBA Seats	1	1
2			Holder, Oxygen	1	1
3			Bracket, Oxygen Holder (ASBA and ADJASBA Seats)	1	1
4			Screw, Hex Head (1/4-20 x 3/4")	1	4
5			Washer (1/4 x 1/2 x 1/16")	1	4
6			Locknut (1/4-20)	1	4
7			Screw, Hex Head Cap with Patch (5/16-18 x 1-1/4")	1	2
8			Washer, Flat (21/64 x 53/64 x 7/64")	1	2
9			Locknut (5/16-18)	1	2
10			Instruction Sheet, Oxygen Holder For ADJASBA Seats	1	1
11			Bag, Poly Zip-Lip (8-3/4" L x 6" W)	1	1
12			Bag, Poly (26" L x 15" W)	1	1
13			Carton, Shipper	1	1

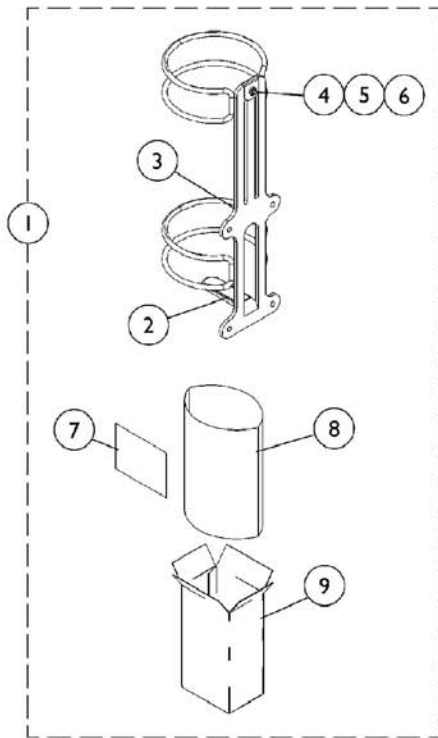
NOTE: A - Includes items 2-13.

Oxygen Holder Assembly Kit

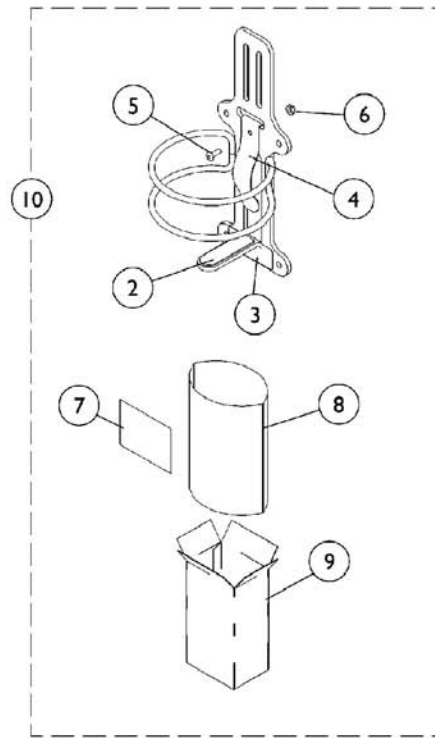
Van Seat



Installing on Seat with External Hinge



O2 Holder D or E size tanks



O2 Holder Home Filled Tank (HFO2-ML6)

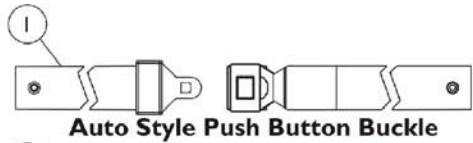
Oxygen Holder Assembly Kit Van Seat

Item Number	Note	Part Number	Description	Quantity Per	
				Package	Assembly
1	A	1116956	Oxygen Holder Assembly(D or E Tanks)	1	1
2		1116950	Pad, Non-Skid	1	1
3		1080866	Decal, Oxygen Warning - English	1	1
4		1116945	Spring, Oxygen Holder	1	1
5		1072319	Screw, Socket Button Head (#10-32 x 1/2")	1	1
6		1025735	Locknut (#10-32)	1	1
7		1116957	Instruction Sheet, Oxygen Holder	1	1
8		1021866	Bag, Poly (26" L x 15" W)	1	1
9		1063960	Carton	1	1
10	A	HFO2-ML6	Oxygen Holder Assembly (Home Filled Tank)	1	1

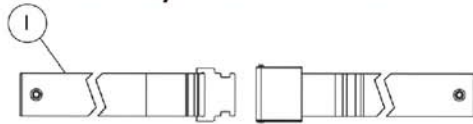
NOTE: A - Includes Oxygen Holder plus items 2-9. For seats with an EXTERNAL (visible) hinge assembly.

Miscellaneous Accessories

NOTE: Chest Positioning Straps share the same hardware that attaches a Back Upholstery



Auto Style Push Button Buckle

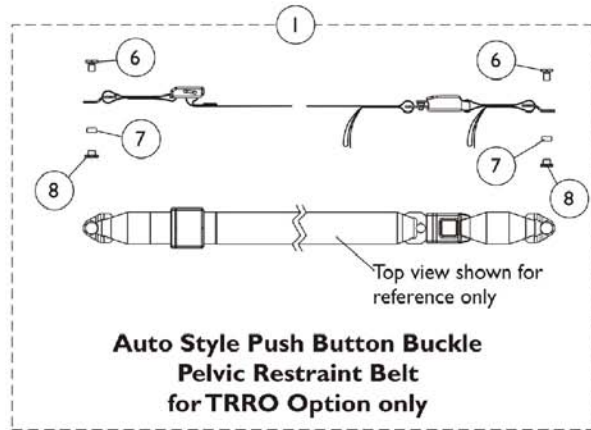


Airline Style Buckle Positioning Strap

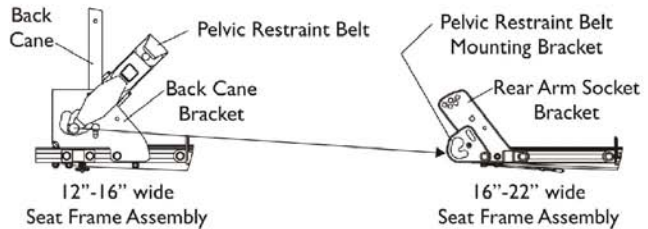


Hook and Loop Style Buckle Positioning Strap

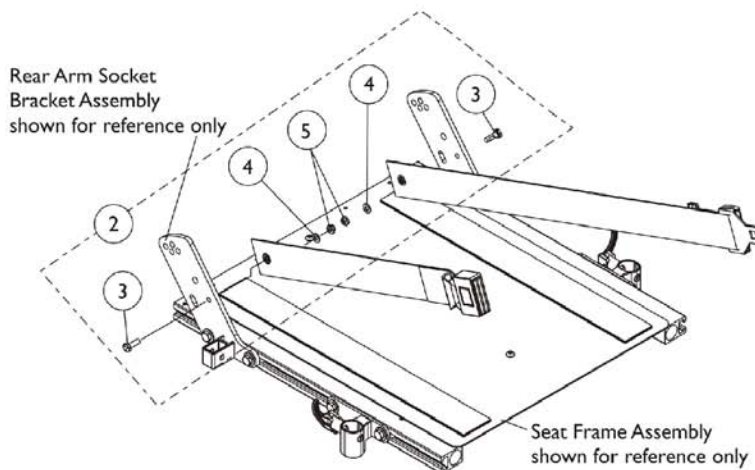
**Positioning Straps
(For ASBA and ADJASBA Seating
without TRRO Option)**



**Auto Style Push Button Buckle
Pelvic Restraint Belt
for TRRO Option only**



**Pelvic Restraint Belt Mounting Location
(For ADJASBA Seating w/ TRRO Option)**



**Seat Positioning Strap
Mounting Hardware
(For ADJASBA Seating)**

Miscellaneous Accessories

NOTE: Chest Positioning Straps share the same hardware that attaches a Back Upholstery

Item Number	Note	Part Number	Description	Quantity Per	
				Package	Assembly
1		See Chart	#1 Positioning Straps	1	1
1	B	See Chart	#1 Pelvic Restraint Belt For TRRO Option Only	1	1
2	A	1124385	Kit, Seat Positioning Strap Mounting Hardware (both LT & RT sides)	1	1
3			Screw, Hex Head (1/4-20 x 3/4")	1	2
4			Washer (1/4 x 1/2 x 1/16")	1	2
5			Locknut (1/4-20)	1	2
6		1134055	Screw, Hex Head (3/8-24 x 5/8")	1	2
7		1134054	Bushing, Nylon (1/2 x 9/16 x 9/32")	1	2
8		1134056	Nut, Barrel (3/8-24)	1	2

NOTE: A - Includes items 3-5.
 B - Before ordering a replacement Pelvic Restraint Belt for TRRO Option, Please read the information provided on page titled "TRRO and TRBKTS Option Clarification Reference" page.

Miscellaneous Accessories

NOTE: Chest Positioning Straps share the same hardware that attaches a Back Upholstery

#1 Positioning Straps

Description	12"-13" Wide	14"-19" Wide	20"-22" Wide
Auto Style Push Button	1036527 Strap, Positioning, Seat/Chest w/ Auto Style Buckle (Eyelet to Eyelet Length 33") See Note(s) A	1004310 Strap, Positioning, Seat/Chest w/ Auto Style Push Button Buckle (Eyelet to Eyelet Length 48")	1034625 Strap, Positioning, Seat/Chest w/ Auto Style Push Button Buckle (Eyelet to Eyelet Length 61")
Airline Style	N/A	1034625 Strap, Positioning, Seat/Chest w/ Auto Style Push Button Buckle (Eyelet to Eyelet Length 61")	1034752 Strap, Positioning, Seat/Chest w/ Airline Style Buckle (Eyelet to Eyelet Length 61")
Hook and Loop See Note(s) B	N/A	1034744 Strap, Positioning, Seat/Chest w/ Hook and Loop Style Buckle (Eyelet to Eyelet Length 45") See Note(s) B	1034745 Strap, Positioning, Seat/Chest w/ Hook and Loop Style Buckle (Eyelet to Eyelet Length 61") See Note(s) B
NOTE: A - 12"-15" wide positioning straps come in rainbow color. B - Hook and Loop style positioning strap for power chairs is used for chest positioning only.			

#1 Pelvic Restraint Belt For TRRO Option Only

Description	12"-16" Wide	16"-22" Wide
Auto Style Push Button See Note(s) A	1134475 Belt, Pelvic Restraint w/ Auto Style Push Button Buckle (Bushing Hole to Bushing Hole Length 37")	1134476 Belt, Pelvic Restraint w/ Auto Style Push Button Buckle (Bushing Hole to Bushing Hole Length 55") See Note(s) A
NOTE: A - Includes the Pelvic Restraint Belt and items 8-10.		

Invacare Corporation

www.invacare.com



Yes, you can.™

One Invacare Way
Elyria, Oh USA
44036-2125
800-333-6900

Technical Support
800-832-4707
Florida Technical Support
407-321-5630

Customer Service
800-333-6900

©2009 Invacare Corporation. Elyria, Ohio. All rights reserved. Trademarks are identified by the symbols™ and®. All trademarks are owned by or licensed to Invacare Corporation unless otherwise noted. Otto Bock is a registered trademark of Otto Bock Orthopaedische Industrie GMBH & Co.. Tash is a registered trademark of Tash International Inc.. Therafin is a registered trademark of W/R Medical Electronics Co.. Bussman is a registered trademark of Cooper Industries. MIDI is a registered trademark of Littelfuse Inc.. Dynamic is a registered trademark of Dynamic Controls Limited. (Revised 1/13/09)

Form No. 08-080