

**TDX® SC (CGE option included) and TDX®
SPREE (CGE standard)
Powered Wheelchairs**



Parts Catalog Usage Guide

The information contained in this document is subject to change without notice. This catalog contains service parts for Form No. 07-082. If you have any questions regarding this catalog, please contact one of our Customer Service Representatives.

For Customer Service Support Call:

1-800-333-6900

For Faxed In Orders Call:

1-800-678-4682 or

1-440-366-0709

For Technical Service Call:

1-800-832-4707

Literature Can Be Found at:

www.invacare.com or

1-800-828-6272

SYMBOL DEFINITION

Throughout this catalog you will notice letters to draw your attention to specific footnotes which are located at the bottom of the page or below specified charts.

Examples:

A,B,C etc. = Special Comments

NOTE: = General information pertaining to that specific page

NLA = No Longer Available

HARDWARE MEASUREMENTS

The measurements for the hardware will be listed as follows:

Screws, Bolts Diameter X Thread Count/Pitch X Length

Washers Inside Diameter X Outside Diameter X Thickness

Spacers Inside Diameter X Outside Diameter X Length

For your convenience, we have supplied an area for you to list your Invacare Representatives.

Name	Phone Numbers

©2008 Invacare Corporation. Elyria, Ohio. Invacare, Yes, you can., the Blue Medallion Design, SureStep, TDX are registered trademarks and MK6i, SPJ, MPJ, are trademarks of Invacare Corporation.

Otto Bock is a registered trademark of Otto Bock Orthopaedische Industrie GMBH & Co.. Tash is a registered trademark of Tash International Inc.. Therafin is a registered trademark of

W/R/ Medical Electronics Co.. Bussman is a registered trademark of Cooper Industries. MIDI is a registered trademark of Littelfuse Inc.. Dynamic is a registered trademark of Dynamic Controls Limited.

TABLE of CONTENTS

Description	Page Number
A: READ THIS FIRST (THIS CATALOG IS DIFFERENT!)	7
Accessories, Back Cane Push Handle Attachments, (16" Wide) Conventional Back Non-Manual Tilt - TDX SPREE	189
Accessories, Headrest Supports, Tarsys, Manual Tilt Only - TDX SPREE	187
Accessories, Miscellaneous	191
Accessories, Oxygen Holder Assembly Kit - ADJASBA Seats - TDX SC	183
Accessories, Oxygen Holder Assembly Kit - Van Seat - TDX SC	185
Actuator Motor, Elevate and Hardware with TRRO Option	20
Actuator Motor, Elevate and Hardware without TRRO Option	18
Arms, "T" and Hardware TDX SPREE	107
Arms, Adjustable Height - (12"-16" W x 12"-18" D) Seat Frame TDX SPREE	109
Arms, Adjustable Height - (16"-20" Wide) x (16"- 20" Deep) Seat Frames TDX SC	113
Arms, Fixed Height - (16"-20" Wide) x (16"-20" Deep) Seat Frames TDX SC	111
Arms, Mtg. Front/Rear Arm Socket Asbly. & Hdwr. (12"-16" Wide) TDX SPREE	119
Arms, Mtg. Front/Rear Arm Socket Asbly. & Hdwr. For ADJASBA Seats (16"-20" Wide) TRRO Option TDX SC	123
Arms, Mtg. Front/Rear Arm Socket Asbly. & Hdwr. For ADJASBA/ADJRECL Seats (16"-20" Wide) TDX SC	121
Arms, Mtg. Swingaway Hardware For ADJASBA/ADJRECL Seats	117
Arms, Van Seat - TDX SC	115
Back Cane and Spreader Bar For ADJASBA Seats (16"-20" Wide) TDX SC	101
Back Cane Attaching Hardware For ADJASBA Seats (12"-16" Wide) - TDX SPREE	99
Back Cane Attaching Hardware For ADJASBA Seats (16"-20" Wide) - TDX SC	103
Back Cane Attaching Hardware For ADJASBA Seats (16"-20" Wide) TRRO Option - TDX SC	105

TABLE of CONTENTS

Description	Page Number
Back Cane, Spreader Bar (16" Wide) Conventional Back - TDX SPREE	94
Back Cane, Spreader Bar/Push Handle Asbly. (12"-16" Wide) Sling Nylon Back Uph. (12"-15" Wide) Conv. Back - TDX SPREE	96
Back, Contoura without Mounting Hardware - TDX SC	79
Back, Conventional without Mounting Hardware (12"-15" Wide) - TDX SPREE	74
Back, Conventional without Mounting Hardware (16" Wide) - TDX SPREE	77
Back, Mounting Hardware, Contoura - TDX SC	84
Back, Mounting Hardware, Conventional (12"-15" Wide) - TDX SPREE	81
Back, Mounting Hardware, Conventional (16" Wide) - TDX SPREE	82
Back, Recliner Assembly For ADJRECL Seat Frames - TDX SC	86
Battery Box Hardware	16
Battery Box Tie-Down Bracket Mounting Hardware For TRRO/TRBKTS Option	14
Battery Chargers and Cables	24
Battery Wire Harnesses and Hardware, U1Batteries	22
Caster and Forks, 6" Front and Rear	41
Cylinders, Locking Gas	27
Electronics - Dual Legs Integrated Actuator Module (DLIAM) MK6i For ELRPW Front Riggings - TDX SC	180
Electronics - MK6i ~PLEASE READ THIS	182
Fender Assembly	31
Frame Finishes, Touch-Up Paints and Upholstery Options	8
Frame, Seat ADJASBA Mtg. Hdwr. (12"-16" Wide) Manual Tilt TDX SPREE	57
Frame, Seat ADJASBA Mtg. Hdwr. (12"-16" Wide) Non-Manual Tilt TDX SPREE	55

TABLE of CONTENTS

Description	Page Number
Frame, Seat ADJASBA Mtg. Hdwr. (16"-20" Wide) Elevate TDX SC	61
Frame, Seat ADJASBA, Seat Pan & Hdwr. (12"-16" Wide) Manual Tilt TDX SPREE	51
Frame, Seat ADJASBA, Seat Pan & Hdwr. (12"-16" Wide) Non-Manual Tilt TDX SPREE	49
Frame, Seat ADJASBA/ADJRECL Mtg. Hdwr. (16"-20" Wide) Non-Elevate TDX SC	59
Frame, Seat ADJASBA/ADJRECL, Seat Pan & Hdwr. (16"-20" W x 16"-20" D) TDX SC	53
Frame, Van Seat and Hardware - TDX SC	63
Front Rigging - 90FB Flip-Up Removable Footboard Assembly - TDX SC Van Seat	161
Front Rigging - Adjustable Angle Footplates - AT5543	154
Front Rigging - Calf Pads and Attaching Hardware	148
Front Rigging - Center Mount Rigging (CTMT-F with CTMTFB One PC Flip-Up Footboard) ..	169
Front Rigging - Center Mount Rigging (CTMT-F)	165
Front Rigging - Center Mount Rigging (CTMT-FJ with CTMTFB One PC Flip-Up Footboard) .	167
Front Rigging - Center Mount Rigging (CTMT-FJ)	163
Front Rigging - Center Mount Rigging Mtg. Hdwr., (CTMT-F/CTMT-FJ) (12"-16" Wide) Manual Tilt - TDX SPREE	173
Front Rigging - Center Mount Rigging Mtg. Hdwr., (CTMT-F/CTMT-FJ) (12"-16" Wide) Non-Manual Tilt - TDX SPREE	171
Front Rigging - Center Mount Rigging Mtg. Hdwr., (CTMT-F/CTMT-FJ) (16"-20" Wide) - TDX SC	175
Front Rigging - Footrest and Legrest Accessories	157
Front Rigging - Footrest Support Assemblies (Sector Style)	137
Front Rigging - Footrest Supports, (Hemi) - PH93M2	141
Front Rigging - Footrest Supports, (Hemi) - PHW93	139
Front Rigging - Front Rigging Hanger Hdwr. For Van Seat - TDX SC	135

TABLE of CONTENTS

Description	Page Number
Front Rigging - Front Rigging Hanger Hdwr., Pin & Sector Style For ADJASBA (12"-16" Wide)	131
Front Rigging - Front Rigging Hanger Hdwr., Pin & Sector Style For ADJASBA/ADJRECL (16"-20" Wide)	133
Front Rigging - Legrest Supports, Articulating (Hemi) - PHAL4A	145
Front Rigging - Legrest Supports, AT5544	143
Front Rigging - Pivot/Slide Tube and 1650, 1350 Aluminum Footplates	152
Front Rigging - Pivot/Slide Tube and 1651 Composite Footplates	150
Front Rigging - Power Articulating Legrest - ELRPW/ELRPW22 - TDX SC	177
Front Rigging - Reference Chart - 70ST TAPER	130
Front Rigging - Reference Chart - 90 SWING	127
Front Rigging - Reference Chart - AT5544, 70NHD, PHW93	125
Front Rigging - Reference Chart - PH93M2	128
Front Rigging - Reference Chart - PHAL4A	129
Label Locations For TRRO and TRBKTS Options	11
Manual Tilt Interface Assembly - TDX SPREE	45
Mercury Switches and Hardware, Manual Tilt - TDX SPREE	47
Motor, 2-Pole, Gearbox and Mounting Hardware	29
Packaging, Literature and Decals	9
Pivot Assembly, Rear	37
Pivot Assembly, Rear Mounting Hardware	39
Seat Cushion Assembly, Contoura, ADJASBA Only TDX SC	73
Seat Height Adjustment Slide Tubes and Mounting Hardware, Non-Elevate - TDX SC	71

TABLE of CONTENTS

Description	Page Number
Seat Release Hardware, and Adapter Frame, ADJASBA/ADJRECL - TDX SC	69
Seat Release Hardware, Van Seat - TDX SC	68
Shrouds and Hardware - TDX SC	33
Shrouds and Hardware, Elevate Only (CGE) - TDX SC and TDX SPREE	35
TRRO and TRBKTS Option Clarification Reference	12
TRRO Instruction Cards	13
Upholstery, Back - Non-Recliner - Nylon	89
Upholstery, Back - Recliner - Nylon - TDX SC	91
Upholstery, Headrest and Pillows - Recliner - TDX SC	93
Van Seat Assembly - TDX SC	65
Walking Beam, Lower Pivot Link and Mounting Hardware	25
Wheel Lock Assembly	32
Wheels, Drive Wheels and Mounting Hardware (10" x 3")	44

A: READ THIS FIRST (THIS CATALOG IS DIFFERENT!)

TDX® SC (Includes CGE Option) and TDX® SPREE (CGE Standard) parts catalog information is divided into two separate catalogs.

The Form Numbers and Cover Titles are listed below.

Form # 07-082

TDX® SC (Includes CGE Option) and TDX® SPREE (CGE Standard)
Powered Wheelchairs

Form # 06-110

MK6i Electronics

Use both form numbers to order a “complete” Parts Catalog

Frame Finishes, Touch-Up Paints and Upholstery Options

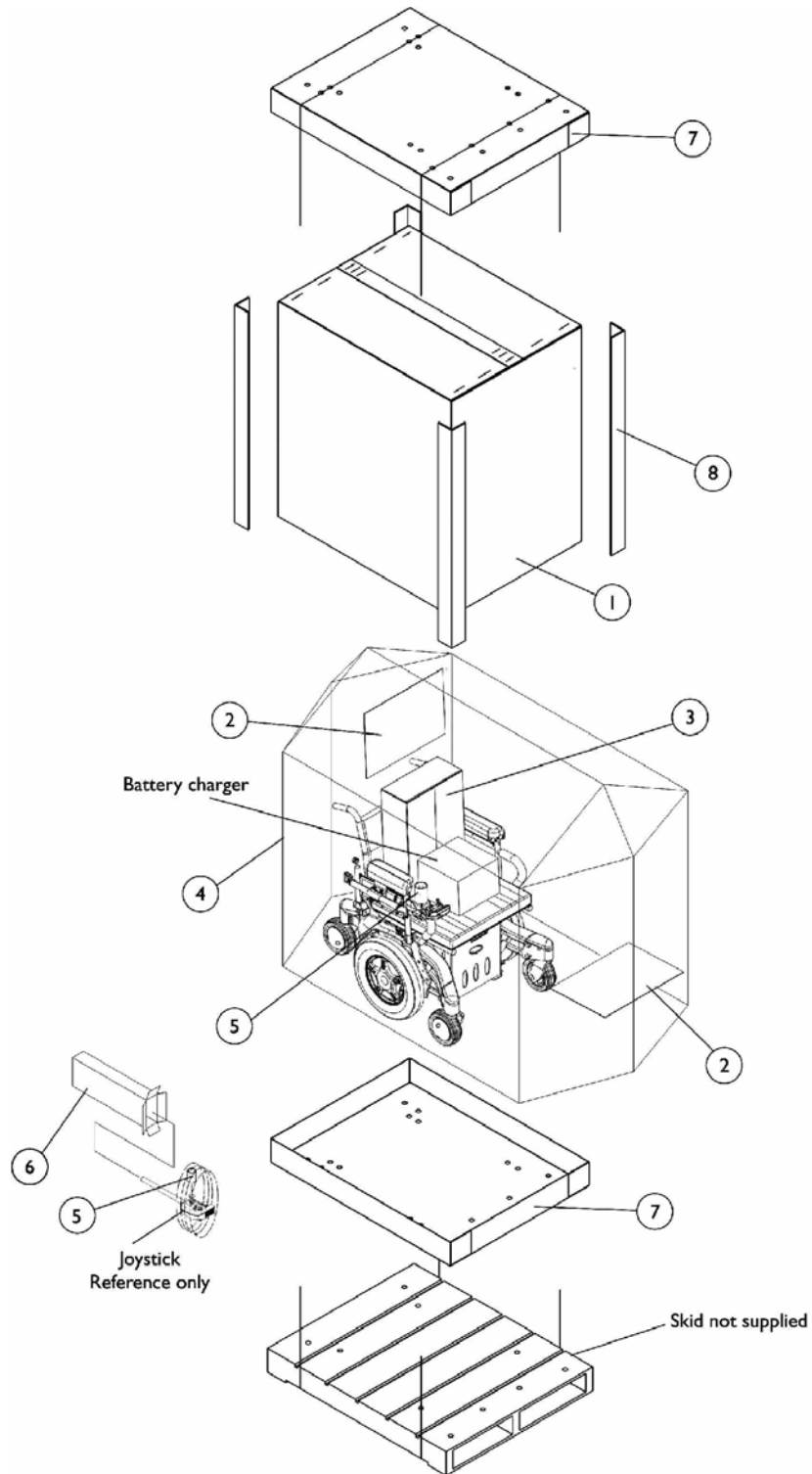
Frame Finishes and Touch-Up Paint

Color Number	Part Number	Bottle Size	Frame Finish
24P	1031450	.6 oz.	Wet Black
30P	1074167 See Note(s) B	.6 oz.	Sunny Yellow
60P	N/A	N/A	Silver Metallic
61P	1046321	.6 oz.	Electric Red
62P	1046320	.6 oz.	Electric Blue
115P	1133371 See Note(s) A	.6 oz.	Black Prism
119P	1133375 See Note(s) B	.6 oz.	Bubblegum Pink
120P	1133376	.6 oz.	Grape Madness
127P	1133383	.6 oz.	Grasshopper Green See Note(s) A
NOTE: A - Frame finish offered on TDX SC models only B - Frame finish offered on TDX SPREE models only			

Upholstery Options

Nylon Color
U240 Black

Packaging, Literature and Decals



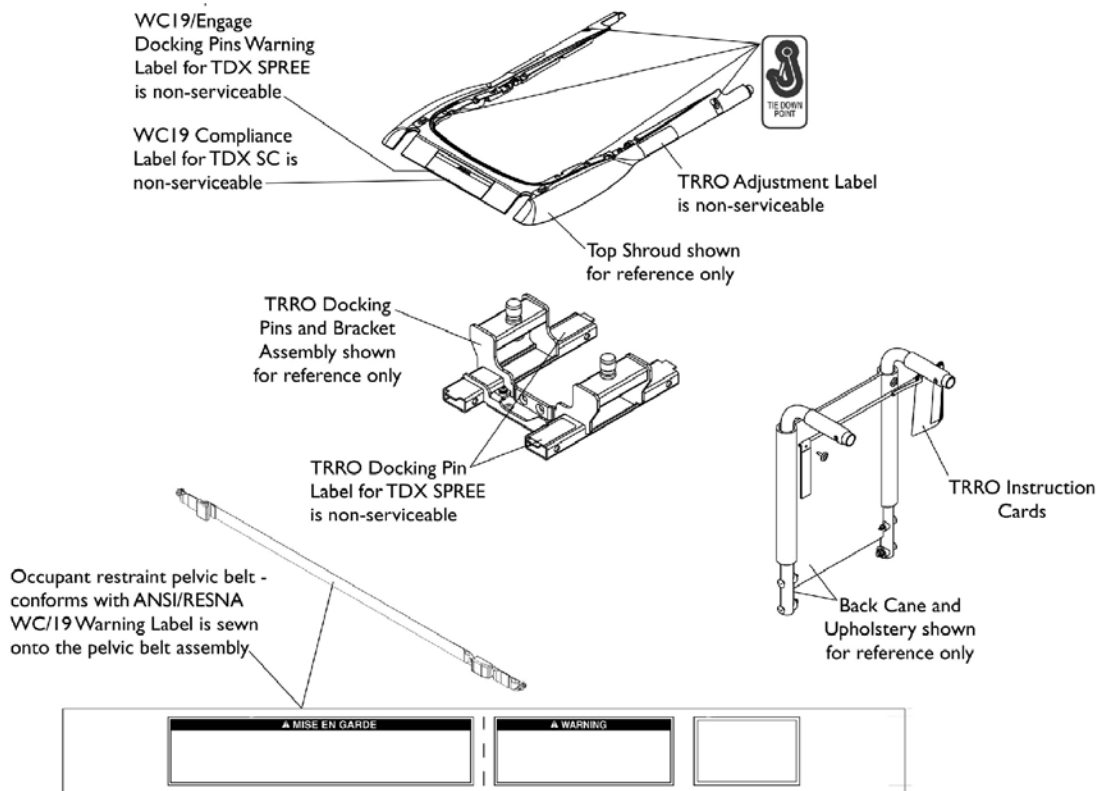
Packaging, Literature and Decals

Item Number	Note	Part Number	Description	Quantity Per	
				Package	Assembly
1	A	1030365	Carton, Cover	1	1
1	B	1030364	Carton, Cover	1	1
1	C	1031682	Carton, Cover	1	1
1	D	1036028	Carton, Cover	1	1
2		40131X161	Insert, Plain Pad	1	2
3		40131X011	Carton, Front Riggings	1	1
4		1015592	Bag, Poly (72" L x 35" W x 19" D)	1	1
5		1043198-NLA	Tube, Paper	1	1
6		1012001	Carton, Joystick	1	1
7	E	1030362	Carton, Tray	1	2
7	F	1036027	Carton, Tray	1	2
8	E	1115174	Carton, Corner Reinforcement	1	4
8	C	1129589	Carton, Corner Reinforcement	1	4
8	F	1129590	Carton, Corner Reinforcement	1	4
	G	00077X031	Warranty Card	1	1
	G	1149267	Manual, Owner's TDX SC/SPREE	1	1
	G	1143192	Manual, Owner's ADJASBA Seat w/ MK6i Electronics	1	1
	G	1143195	Manual, Owner's Van Seat's w/ MK6i Electronics	1	1
	G,H,I	1149308	Decal, TDX SC (Yellow)	1	2
	G,H,J	1149297	Decal, TDX SC (Black)	1	2
	G,H,K	1151353	Decal, TDX SPREE w/ TDX Yellow Letters	1	2
	G,H,L	1153865	Decal, TDX SPREE w/ TDX Black Letters	1	2

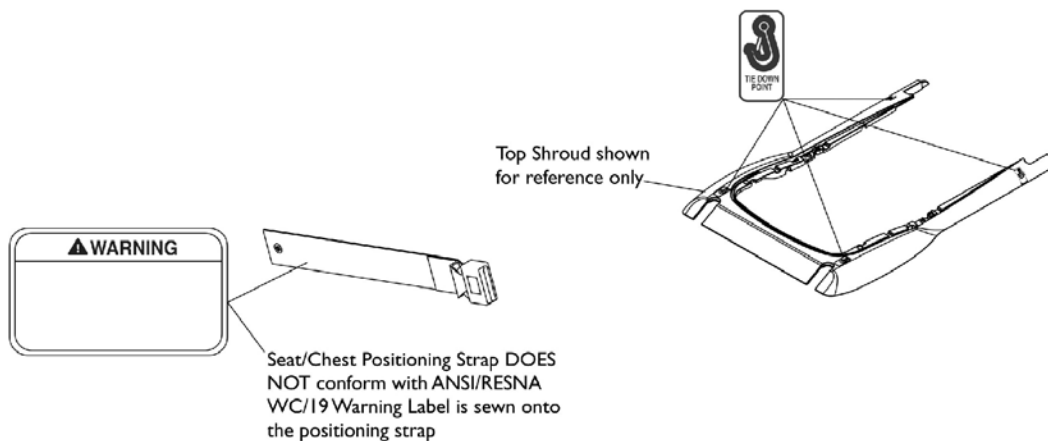
NOTE: A - Base only and all ADJASBA seat only models
 B - 12" Wide - 20" Wide ADJASBA seat with base models & 16", 18" Van Seat models
 C - 16" Wide - 20" Wide ADJASBA seat with base models with medium and tall seat-to-floor heights
 D - 20" and 22" Van Seat models
 E - 12" Wide - 20" Wide ADJASBA seat with base. 16", 18" Van Seat models and base only models
 F - 20" and 22" Van Seat models
 G - Not Shown
 H - Model Decal attaches to the walking beam assembly
 I - The TDX SC yellow decal is used for all frame colors except 60P Silver Metallic
 J - The TDX SC black decal is used for 60P Silver Metallic frame color only
 K - The TDX SPREE decal w/ yellow TDX Letters is used for all frame colors except 30P Sunny Yellow
 L - The TDX SPREE decal w/ black TDX Letters is used for 30P Sunny Yellow frame color only

When adjusting or replacing parts, please refer to your Owner's Manual for assistance.

Label Locations For TRRO and TRBKTS Options



TRRO Option Label Locations



TRBKTS Option Label Locations

TRRO and TRBKTS Option Clarification Reference

TRRO and TRBKTS Option is an On-Chair option only.

About Transport Ready Packages

TRRO includes four factory-installed transport brackets and a wheelchair anchored pelvic belt. **TRRO** has been crash-tested in accordance with ANSI/RESNA WC Vol. 1 Section 19 Frontal Impact Test requirements for wheelchairs with a 130 lb. crash test dummy, which corresponds to a person with weight of 125 to 165 lbs. for junior seat sizes or a 168 lb. crash dummy, which corresponds to a person with a weight of 165 to 300 lbs. for Adult seat sizes.

TRBKTS includes four factory-installed wheelchair transport brackets. **TRBKTS** has not been crash-tested in accordance with WC 19. Use these transport brackets only to secure an unoccupied wheelchair during transport.

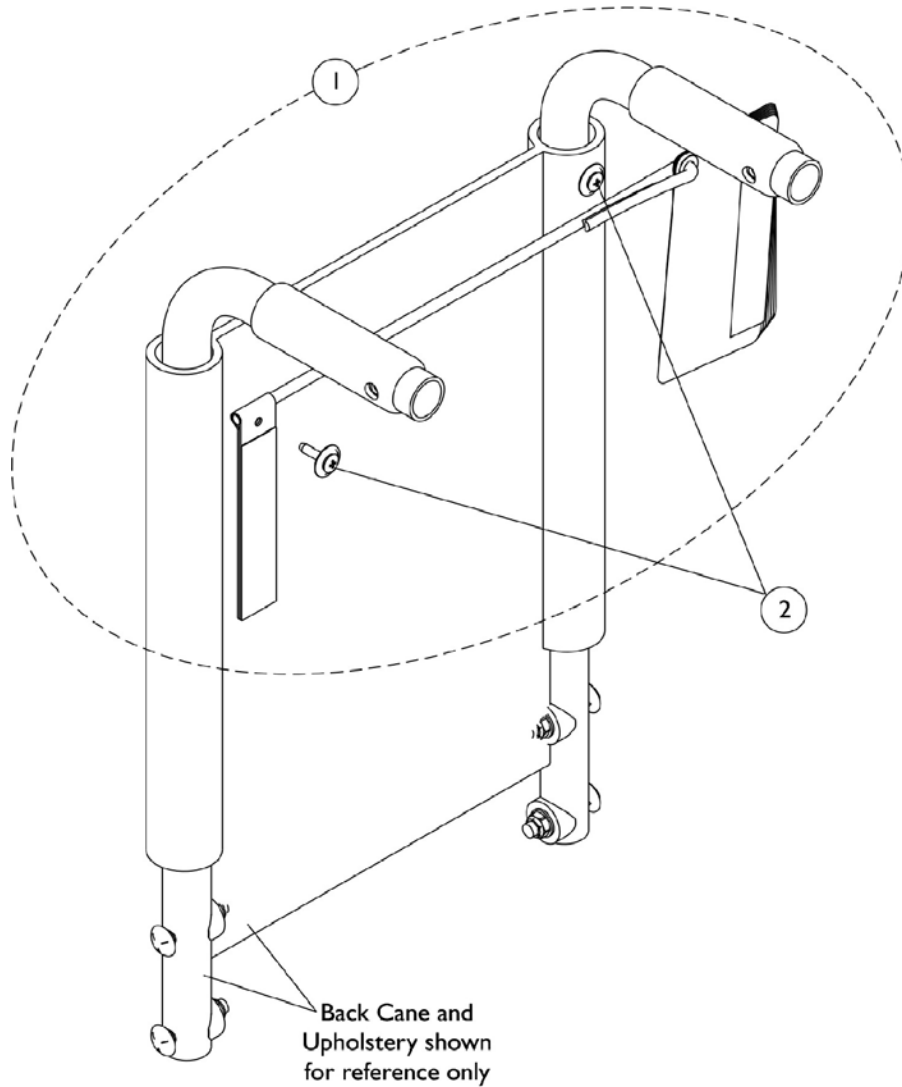
Only use the transport brackets included with **TRRO** and **TRBKTS** for the purpose described in the appropriate Owner's Operator and Maintenance Manual.

Battery support brackets **MUST** be installed at all times. Otherwise, the wheelchair will not be WC/19 compliant. Refer to Removing/Installing the Batteries From/Into the Wheelchair in the appropriate Owner's Operator and Maintenance Manual.

As of this date, the Department of Transportation has not approved any tie-down systems for transportation of a user while in a wheelchair, in a moving vehicle of any type. It is Invacare's position that users of wheelchairs should be transferred into appropriate seating in vehicles for transportation and use be made of the restraints made available by the auto industry. Invacare cannot and does not recommend any wheelchair transportation systems.

NOTE: ANSI = American National Standards Institute, RESNA = Rehabilitation Engineering and Assistive Technology Society of North America.

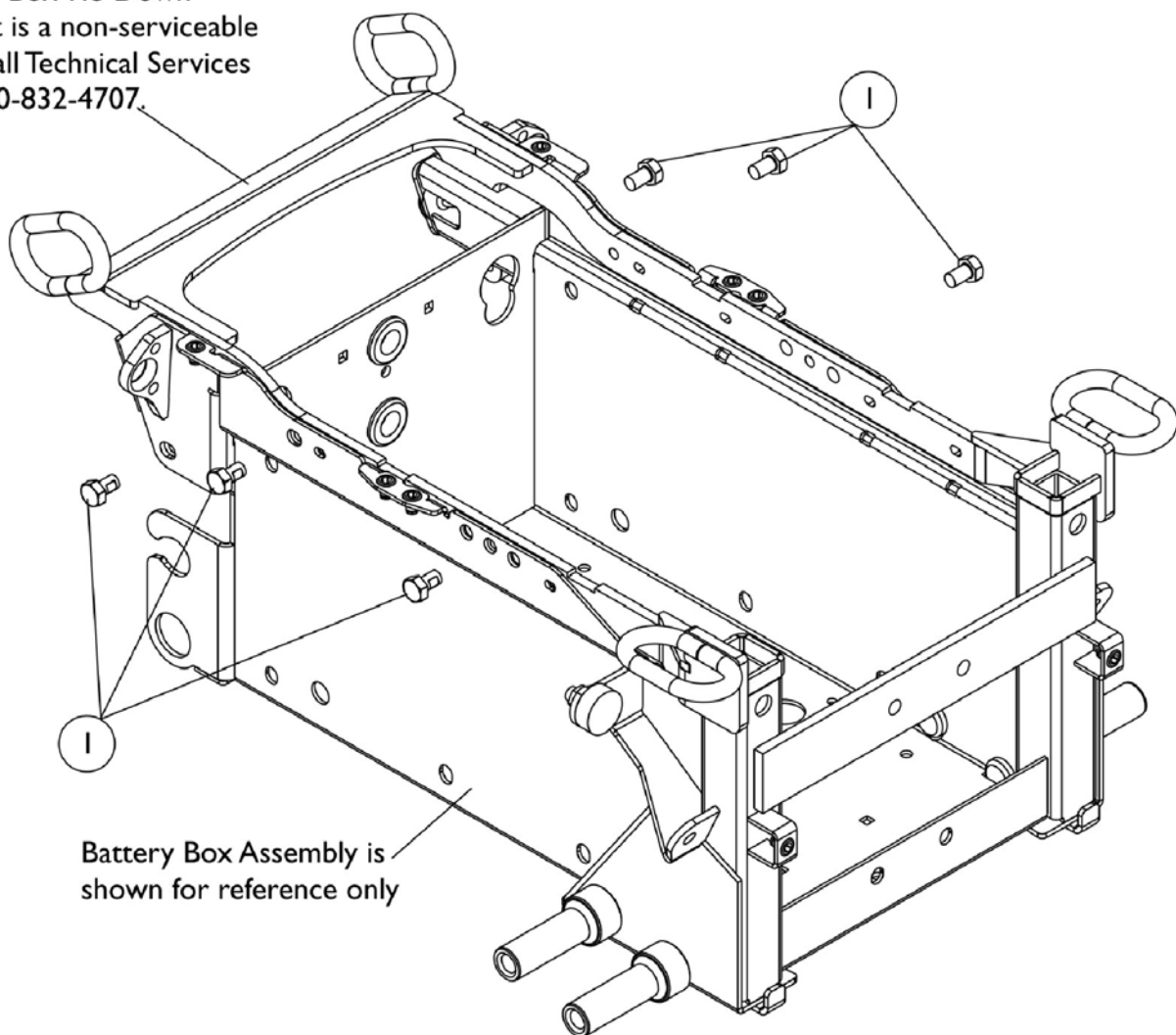
TRRO Instruction Cards



Item Number	Note	Part Number	Description	Quantity Per	
				Package	Assembly
1	A	1152750	Card, TRRO Instruction	1	1
2		1026298	Screws with Washers (#10 x 7/8")	2	1
NOTE: A - Instruction Cards include the attachment strap. Individual components are non-saleable. Serial number of chair must be verified to ensure that TRRO option was originally ordered.					

Battery Box Tie-Down Bracket Mounting Hardware For TRRO/TRBKTS Option

Battery Box Tie-Down Bracket is a non-serviceable part. Call Technical Services at 1-800-832-4707.



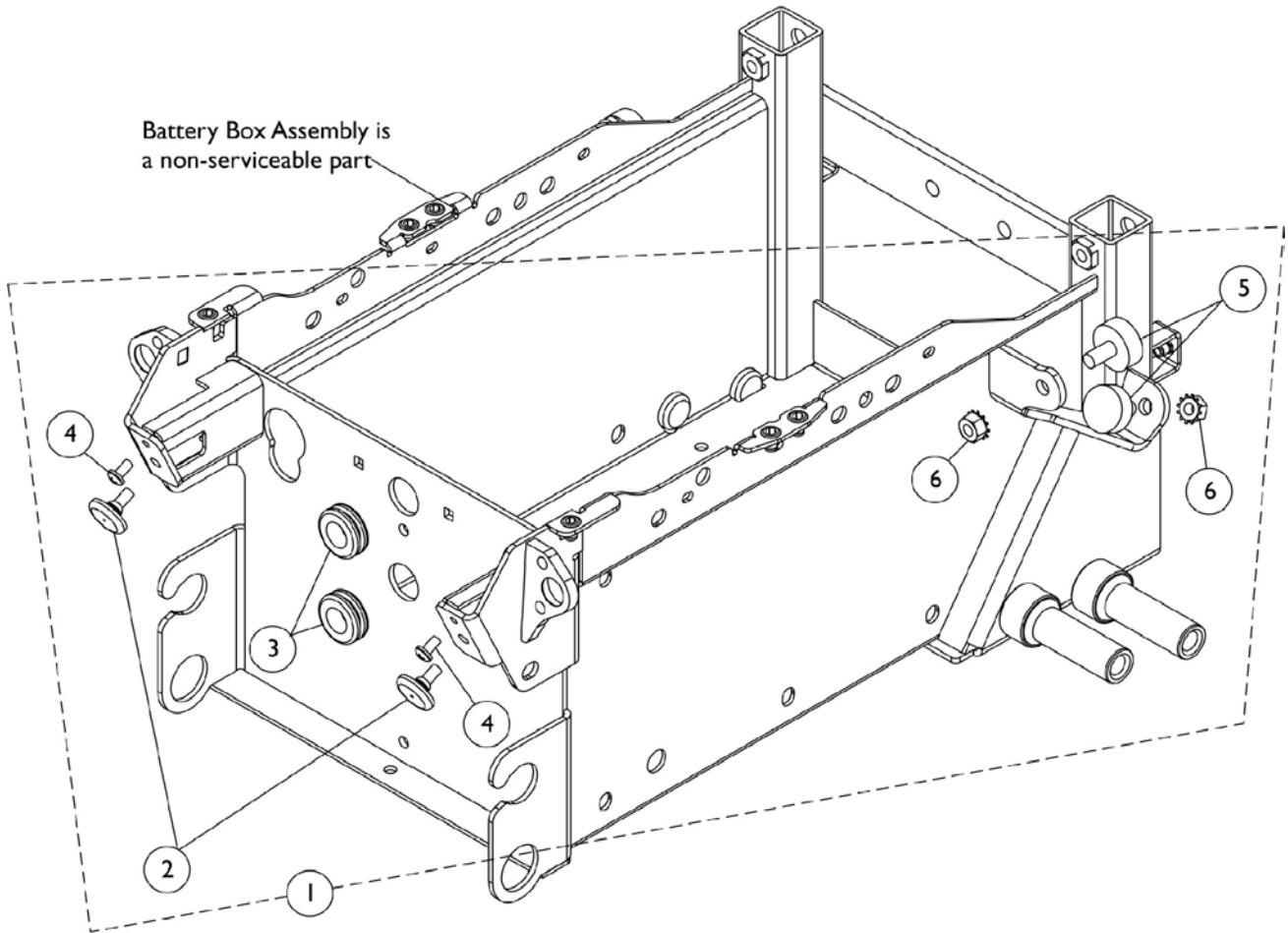
Battery Box Assembly is shown for reference only

Battery Box Tie-Down Bracket Mounting Hardware For TRRO/TRBKTS Option

Item Number	Note	Part Number	Description	Quantity Per	
				Package	Assembly
1		1142304	Screw, Hex Head SEMS w/ Patch (5/16-18 x 3/4")	1	6

Battery Box Hardware

The Battery Boxes are non-serviceable parts. Call Technical Services for assistance (1-800-832-4707)



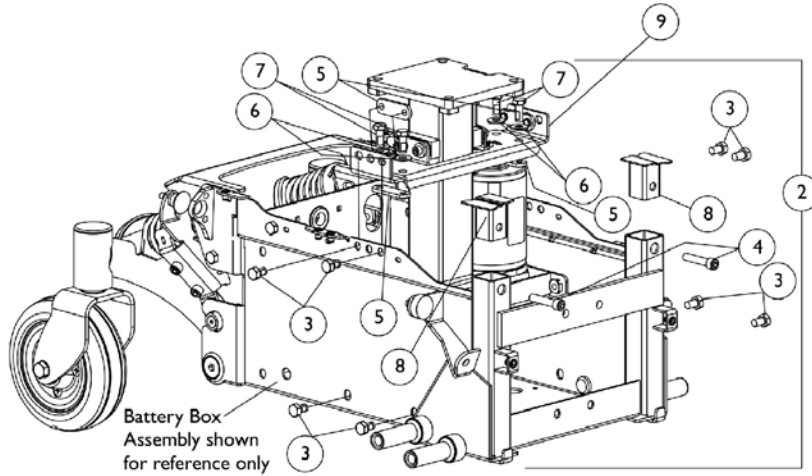
Battery Box Hardware

The Battery Boxes are non-serviceable parts. Call Technical Services for assistance (1-800-832-4707)

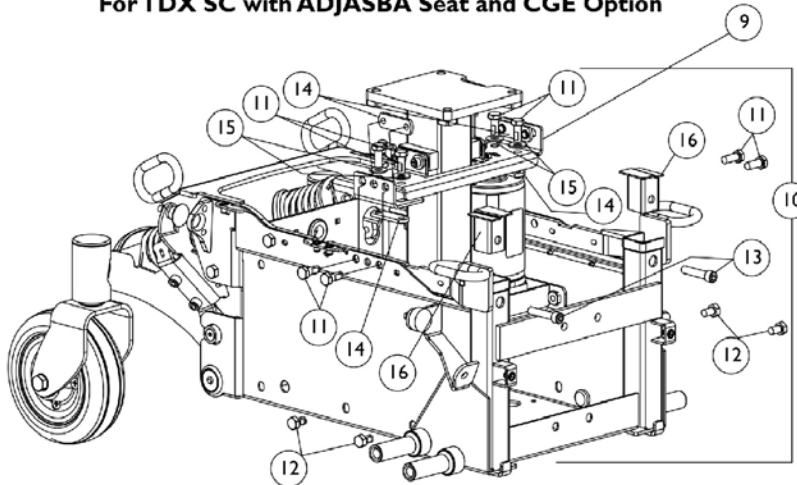
Item Number	Note	Part Number	Description	Quantity Per	
				Package	Assembly
1	A	1151611	Kit, Battery Box Rubber Bumper and Grommet Hardware	1	1
2		1142271	Bumper, Rubber (7/8" Dia. x 3/16")	1	2
3		1142409	Grommet, Rubber (9/16 ID x 11/16 OD x 3/8")	1	2
4		1022597	Screw, Phillips Pan Head Tap (#10-32 x 3/8")	1	2
5		1141290	Bumper, Rubber (1" Dia. x 3/8")	1	4
6		000037	Nut, Keps (5/16-18)	1	4

NOTE: A - Includes items 2-6 and is used for TDX SC and TDX SPREE

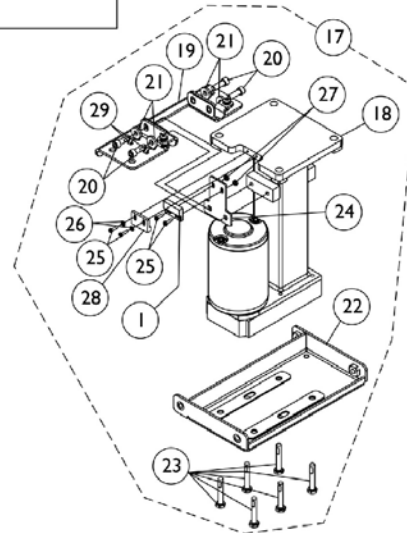
Actuator Motor, Elevate and Hardware without TRRO Option



**Elevate Hardware without TRRO/TRBKTS Option
For TDX SC with ADJASBA Seat and CGE Option**



**Elevate Hardware with TRBKTS Option For
(TDX SC with ADJASBA Seat and CGE Option),
and TDX SPREE**

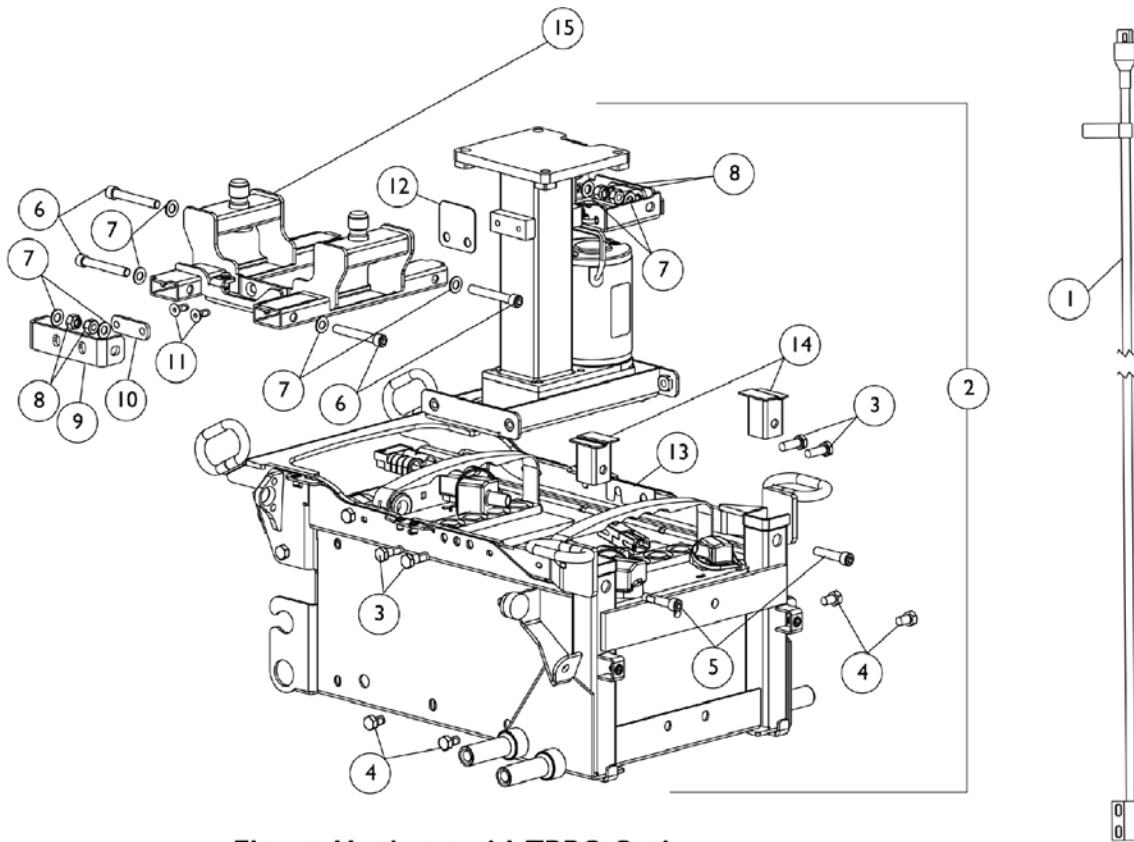


Actuator Motor, Elevate and Hardware without TRRO Option

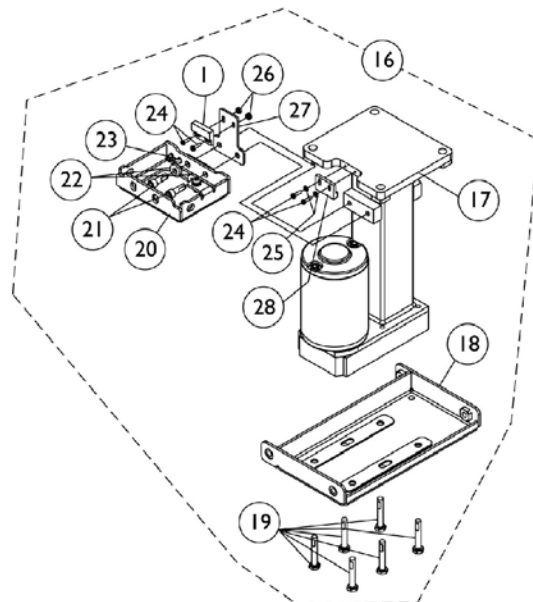
Item Number	Note	Part Number	Description	Quantity Per	
				Package	Assembly
1		1122586	Sensor, Proximity Switch	1	1
2	A	1154119	Kit, Elevate Hardware NON-TRRO/TRBKTS	1	1
3		1061922	Screw, Hex Head Cap w/ Patch (5/16-18 x 1/2")	1	8
4		1147627	Screw, Socket Head Cap with Patch (5/16-18 x 1-1/2")	1	2
5		1142297	Nut, Weld (5/16-18 x 1-3/8" Spacing)	1	4
6		1074133	Washer (5/16 x 3/4 x 1/16")	1	4
7		1039860	Screw, Hex Head Cap with Patch (5/16-18 x 3/4")	1	4
8		1152721	Plug, Tube - Right	1	1
8		1152722	Plug, Tube - Left	1	1
9		1152713	Bracket, Elevate Mounting	1	2
10	B	1154120	Kit, Elevate Hardware TRBKTS	1	1
11		1039860	Screw, Hex Head Cap with Patch (5/16-18 x 3/4")	1	8
12		1061922	Screw, Hex Head Cap w/ Patch (5/16-18 x 1/2")	1	4
13		1147627	Screw, Socket Head Cap with Patch (5/16-18 x 1-1/2")	1	2
14		1142297	Nut, Weld (5/16-18 x 1-3/8" Spacing)	1	4
15		1074133	Washer (5/16 x 3/4 x 1/16")	1	4
16		1149555	Plug, TRRO/TRBKTS Tube - Right	1	1
16		1152718	Plug, TRRO/TRBKTS Tube - Left	1	1
17	C	1151001	Kit, Elevate Actuator Motor	1	1
1		1122586	Sensor, Proximity Switch	1	1
18		1149617	Actuator Motor Assembly, Elevate	1	1
19		1151588	Bracket, Upper Support	1	1
20		1098944	Screw, Socket Head Cap w/ Patch (1/4-20 x 3/4")	1	4
21		1018739	Washer (1/4 x 5/8 x 3/32")	1	4
22		1151589	Bracket, Lower Support	1	1
23		1117224	Screw, Hex Head Cap with Patch (1/4-20 x 1-1/2")	1	6
24		1150996	Bracket, Limit Switch	1	1
25		1074128	Screw, Phillips Pan Head (#4-40 x 7/16")	1	4
26		1008525	Washer, Internal Tooth Lock (#4-40)	1	2
27		P0870X000	Nut, Hex Keps (#4-40)	1	2
28		1024001	Sensor, Actuator Switch	1	1
29		1021260	Cable Tie (5-5/8" Long)	1	2
25		1074128	Screw, Phillips Pan Head (#4-40 x 7/16")	1	4
26		1008525	Washer, Internal Tooth Lock (#4-40)	1	2
27		P0870X000	Nut, Hex Keps (#4-40)	1	2
28		1024001	Sensor, Actuator Switch	1	1

NOTE: A - Includes items 3-8
B - Includes items 11-16
C - Includes items 1 and 18-29

Actuator Motor, Elevate and Hardware with TRRO Option



**Elevate Hardware with TRRO Option
For TDX SPREE with ADJASBA Seat**



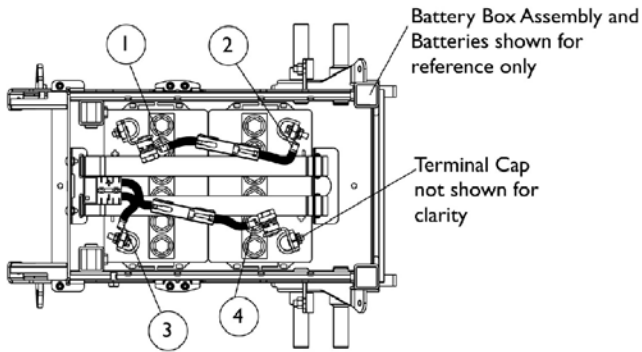
Actuator Motor, Elevate and Hardware with TRRO Option

Item Number	Note	Part Number	Description	Quantity Per	
				Package	Assembly
1		1122586	Sensor, Proximity Switch	1	1
2	A	1154121	Kit, Elevate Hardware TRRO	1	1
3		1070462	Screw, Hex Head Cap w/ Patch (5/16-18 x 7/8")	1	4
4		1061922	Screw, Hex Head Cap w/ Patch (5/16-18 x 1/2")	1	4
5		1147627	Screw, Socket Head Cap with Patch (5/16-18 x 1-1/2")	1	2
6		1154212	Screw, Socket Head (5/16-18 x 2-1/4")	1	4
7		1025704	Washer, Flat (5/16 x 5/8 x 1/16")	1	8
8		1026158	Locknut (5/16-18)	1	4
9		1154202	Clevis	1	1
10		1142297	Nut, Weld (5/16-18 x 1-3/8" Spacing)	1	2
11		1144670	Screw, Socket Flat Head Countersunk w/ Patch (1/4-20 x 5/8")	1	2
12		1153862	Isolator, Rubber	1	1
13		1152676	Shim (1/64")	1	3
14		1149555	Plug, TRRO/TRBKTS Tube - Right	1	1
14		1152718	Plug, TRRO/TRBKTS Tube - Left	1	1
15	C	1154206	Bracket, TRRO Support - Right	1	1
16	B	1152731	Kit, TRRO Elevate Actuator Motor	1	1
1		1122586	Sensor, Proximity Switch	1	1
17		1149617	Actuator Motor Assembly, Elevate	1	1
18		1151589	Bracket, Lower Support	1	1
19		1117224	Screw, Hex Head Cap with Patch (1/4-20 x 1-1/2")	1	6
20		1154205	Bracket, TRRO Support - Left	1	1
21		1098944	Screw, Socket Head Cap w/ Patch (1/4-20 x 3/4")	1	2
22		1018739	Washer (1/4 x 5/8 x 3/32")	1	2
23		1021260	Cable Tie (5-5/8" Long)	1	2
24		1074128	Screw, Phillips Pan Head (#4-40 x 7/16")	1	4
25		1008525	Washer, Internal Tooth Lock (#4-40)	1	2
26		P0870X000	Nut, Hex Keps (#4-40)	1	2
27		1150996	Bracket, Limit Switch	1	1
28		1024001	Sensor, Actuator Switch	1	1
24		1074128	Screw, Phillips Pan Head (#4-40 x 7/16")	1	4
25		1008525	Washer, Internal Tooth Lock (#4-40)	1	2
26		P0870X000	Nut, Hex Keps (#4-40)	1	2
28		1024001	Sensor, Actuator Switch	1	1

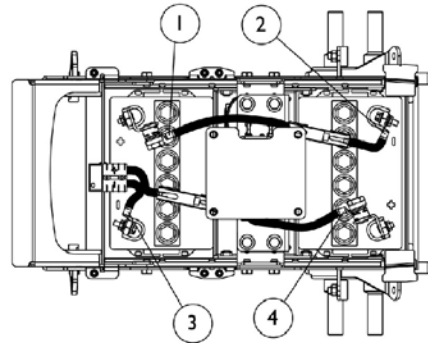
NOTE: A - Includes items 3-14
 B - Includes items 1 and 17-28
 C - Serial number of chair must be verified to ensure that TRRO option was originally ordered.

Battery Wire Harnesses and Hardware

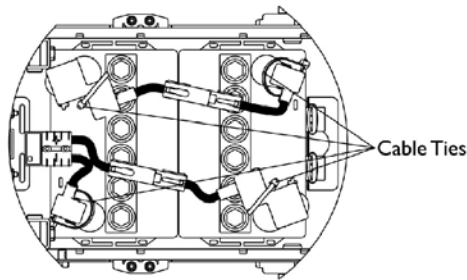
U1 Batteries



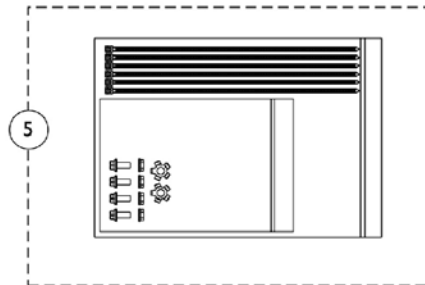
U1 Battery Installation for Seat Post Configuration



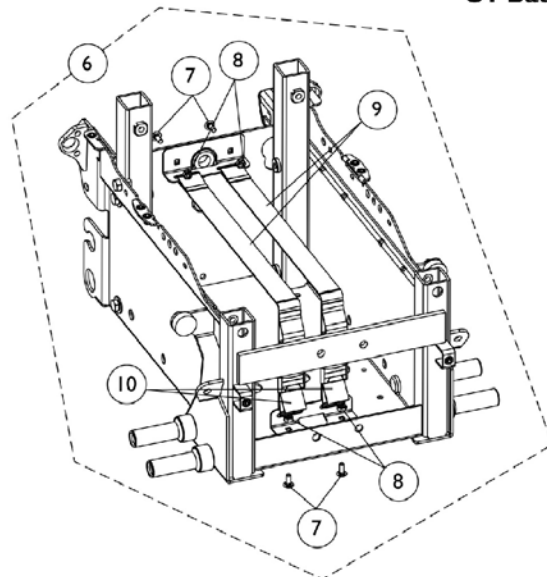
U1 Battery Installation for Elevate Configuration



Cable Tie Detail



U1 Battery Hardware

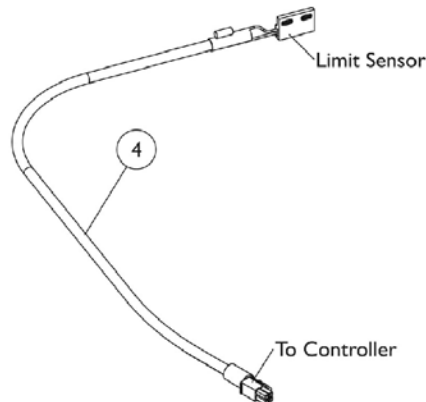
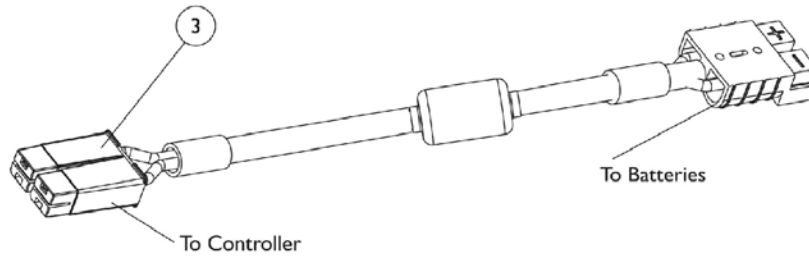
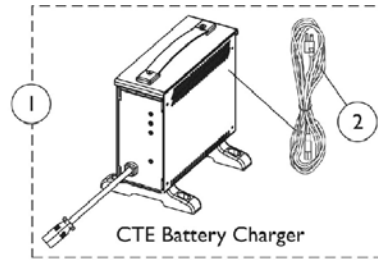
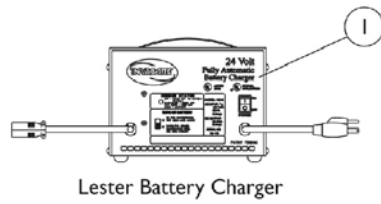


Battery Strap Assembly

Battery Wire Harnesses and Hardware U1Batteries

Item Number	Note	Part Number	Description	Quantity Per	
				Package	Assembly
1		1152681	Harness, Battery (+) w/ 100A - Front	1	1
2		1122244	Harness, Battery - Rear	1	1
3		1122246	Harness, Battery - Front	1	1
4		1152682	Harness, Battery (+) w/ 100A - Rear	1	1
5	A	1154115	Hardware, Battery Harness	1	1
6	B	1152729	Kit, Battery Strap Assembly and Mounting Hardware	1	1
7		1151592	Screw, Round Head Square Neck (10-24 x 1/2")	1	4
8		1025732	Locknut (#10-24)	1	4
9		1152723	Battery Strap w/ Buckle Assembly	1	1
10		1152724	Battery Strap Assembly	1	1
NOTE: A - Includes 2 ea. Locking Tab Washers, 4 ea. Hex Flange Nuts (1/4-20), 4 ea. Hex Flange Whiz Lock Screws, 6 ea. Cable Ties B - Includes items 7-10 and the Battery Straps are sewn to the metal bracket for item 9 and 10					

Battery Chargers and Cables

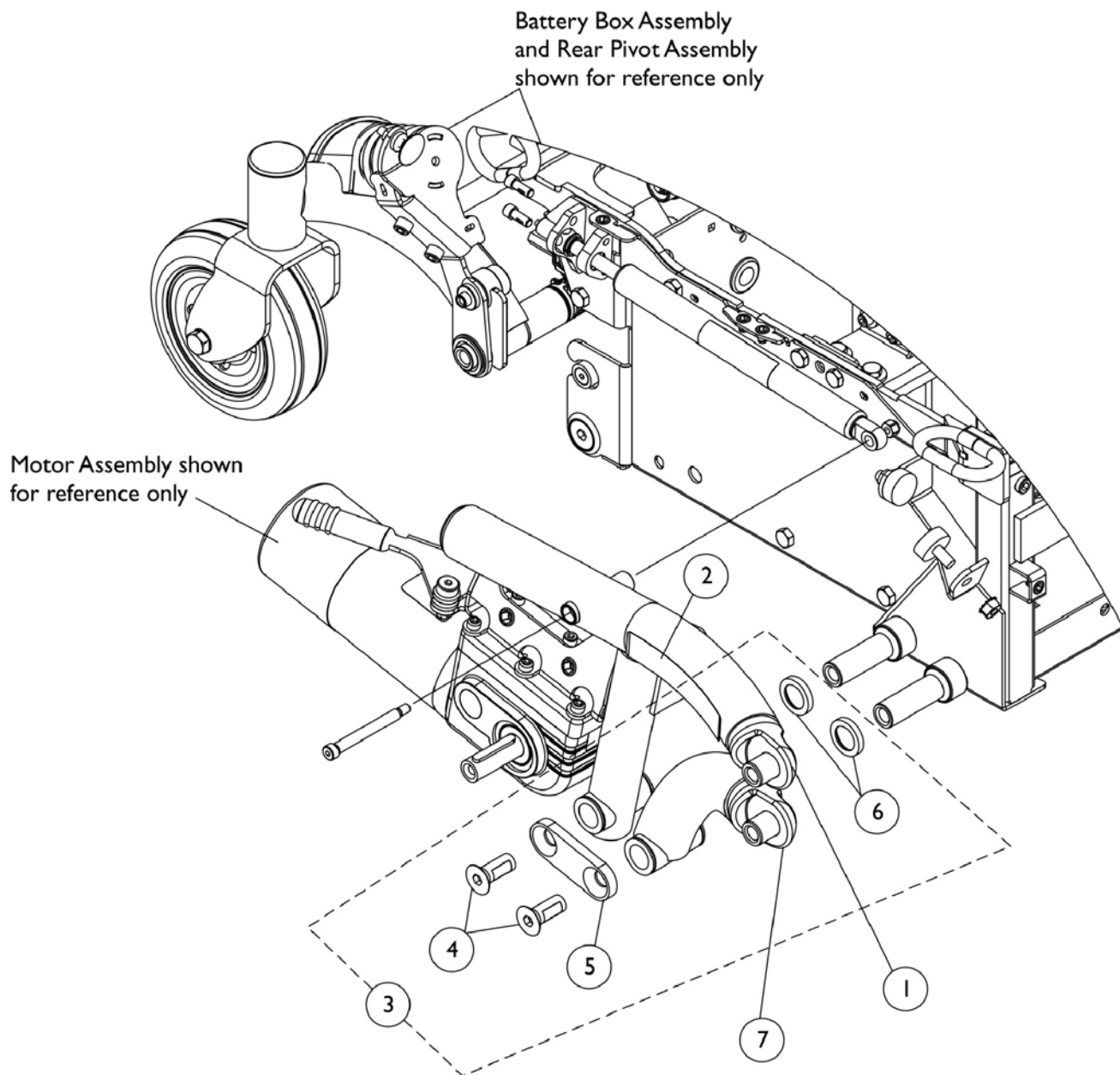


Item Number	Note	Part Number	Description	Quantity Per	
				Package	Assembly
1		1053161	Battery Charger, 8 Amp. 115vac (Off Board) Dual Mode Round Plug, Lester	1	1
1	A	1123249	Battery Charger, 8 Amp. 115vac (Off Board) Single Mode Round Plug w/ AC Power Line Cord, CTE Corp.	1	1
2		1089627	Cord, AC Power Line 115vac, 2-prong - Off Board (11'6"L)	1	1
3		1119449	Cable, Battery Extension	1	1
4	B	1146573	Cable, Drive Lockout Sensor (MK6i)	1	1

NOTE: A - CTE charger is standard on-chair. Used on Gel Cell or AGM (Absorbed Glass Mat) batteries. For wet cell batteries refer to the Lester charger part number 1053161.

B - Drive Lockout Sensor Cable used for TDX SC model chairs manufactured with a ADJRECL Manual Recline Seat Frame

Walking Beam, Lower Pivot Link and Mounting Hardware



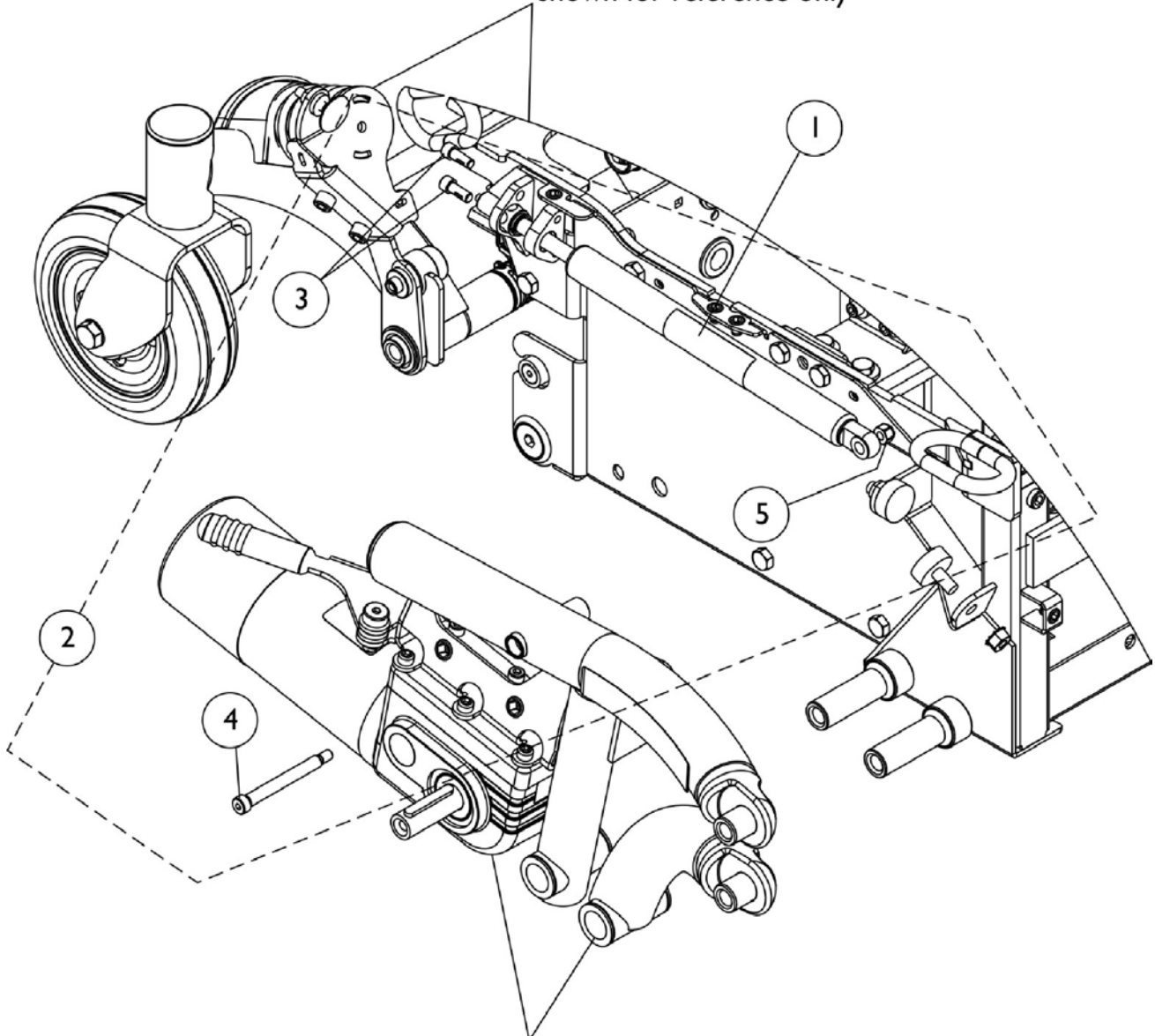
Walking Beam, Lower Pivot Link and Mounting Hardware

Item Number	Note	Part Number	Description	Quantity Per	
				Package	Assembly
1	A,C	8881151598	Walking Beam Assembly w/ Yellow TDX SC Decal (Color) - Right	1	1
1	A,C	8881151599	Walking Beam Assembly w/ Yellow TDX SC Decal (Color) - Left	1	1
1	B,C	8881151600	Walking Beam Assembly w/ Black TDX SC Decal (Color) - Right	1	1
1	B,C	8881151601	Walking Beam Assembly w/ Black TDX SC Decal (Color) - Left	1	1
1	C,E	8881151602	Walking Beam Assembly w/ (TDX Yellow) SPREE Decal (Color) - Right	1	1
1	C,E	8881151603	Walking Beam Assembly w/ (TDX Yellow) SPREE Decal (Color) - Left	1	1
1	C,F	8881154123	Walking Beam Assembly w/ (TDX Black) SPREE Decal (Color) - Right	1	1
1	C,F	8881154124	Walking Beam Assembly w/ (TDX Black) SPREE Decal (Color) - Left	1	1
2	A	1149308	Decal, TDX SC (Yellow)	1	1
2	B	1149297	Decal, TDX SC (Black)	1	1
2	E	1151353	Decal, TDX SPREE w/ TDX Yellow Letters	1	1
2	F	1153865	Decal, TDX SPREE w/ TDX Black Letters	1	1
3	D	1151610	Kit, Walking Beam & Lower Pivot Link Mounting Hardware	1	1
4		1149585	Screw, Socket Flat C'Sunk Head Cap w/ Patch (1/2-13 x 1-1/4")	1	2
5		1149588	Plate, Washer	1	1
6		1140452	Spacer, Coved (3/4 x 1-1/8 x 1-1/32")	1	2
7	C	8881142330	Link, Lower Pivot (Color) - Right	1	1
7	C	8881142331	Link, Lower Pivot (Color) - Left	1	1

NOTE: A - The TDX SC yellow decal is used for all frame colors except 60P Silver Metallic
 B - The TDX SC black decal is used for 60P Silver Metallic frame color only
 C - Specify frame color when ordering. See page titled "Frame Finishes, Touch-Up Paints and Upholstery Options".
 D - Includes items 4-6
 E - The TDX SPREE decal w/ yellow TDX Letters is used for all frame colors except 30P Sunny Yellow
 F - The TDX SPREE decal w/ black TDX Letters is used for 30P Sunny Yellow frame color only

Cylinders, Locking Gas

Battery Box Assembly
and Rear Pivot Assembly
shown for reference only

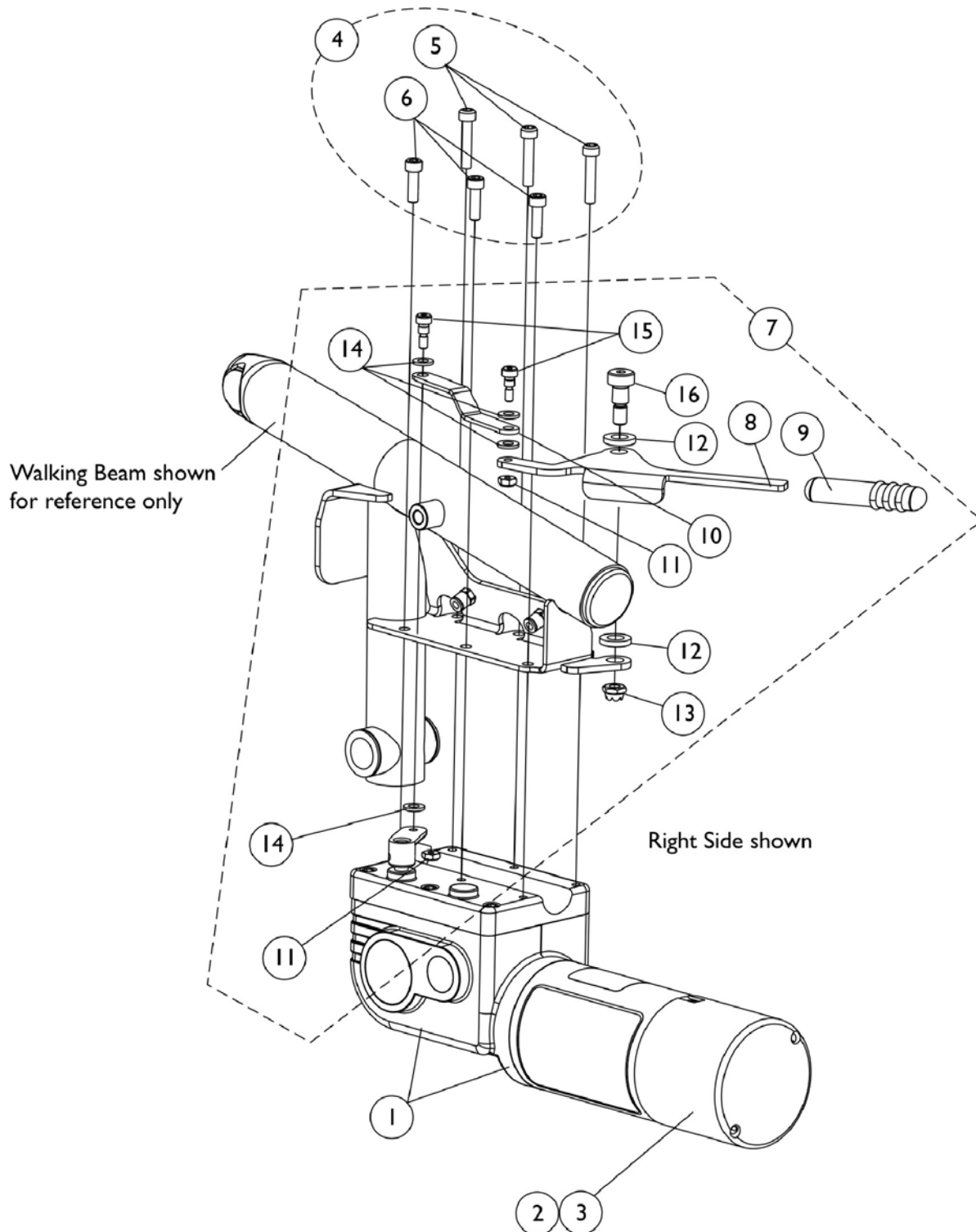


Motor Assembly and Walking Beam
shown for reference only

Cylinders, Locking Gas

Item Number	Note	Part Number	Description	Quantity Per	
				Package	Assembly
1	A,D	1144661	Cylinder, Locking Gas (300 Lb. User Weight Limit)	1	1
1	B,D	1144655	Cylinder, Locking Gas (400 Lb. User Weight Limit)	1	1
2	C	1151609	Kit, Locking Gas Cylinder Mounting Hardware	1	1
3		1007219	Screw, Socket Head Cap (1/4-20 x 3/4")	1	2
4		1142269	Screw, Socket Head Shoulder (5/16 x 2-1/2")	1	1
5		1025736	Locknut (1/4-20)	1	1
NOTE: A - Used for TDXSC, TDXSCV, TDXSPREE and TDXSPREE-CG B - Used for TDXSC2-CG only C - Includes items 3-5 D - TDXSC, TDXSCV, TDXSC2-CG have a 250 Lb. weight capacity. TDXSPREE and TDXSPREE-CG have a 165 Lb. weight capacity.					

Motor, 2-Pole, Gearbox and Mounting Hardware

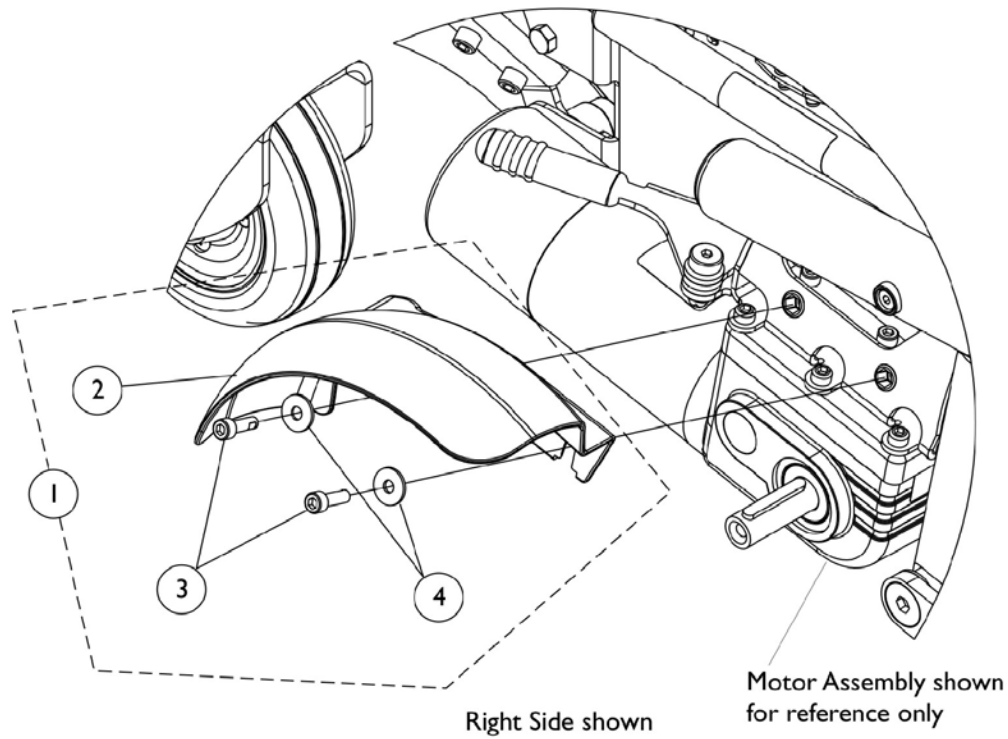


Motor, 2-Pole, Gearbox and Mounting Hardware

Item Number	Note	Part Number	Description	Quantity Per	
				Package	Assembly
1		1149561	Motor and Gearbox Assembly - Right	1	1
1		1149562	Motor and Gearbox Assembly - Left	1	1
2	A,C	1038361	Kit, Motor/Brake Covers with Screws	1	1
3	B,D	1123528	Kit, Motor Brush - Internal (Large)	1	1
4	C	1141284	Kit, Motor Mounting Hardware	1	1
5		1080712	Screw, Socket Head (M6 x 1 x 30MM)	1	3
6		1071505	Screw, Socket Head Cap with Patch (M6 x 20MM)	1	3
7	D	1151612	Kit, Motor Release Lever Hardware - Right	1	1
8		1151604	Lever, Motor Release - Right	1	1
9		1101725	Cap, Brake	1	1
10		1151605	Link, Motor	1	1
11		1025732	Locknut (#10-24)	1	2
12		1150990	Washer, Nylon (13/32 x 3/4 x 1/8")	1	2
13		1108439	Locknut (M8 x 1-1/4")	1	1
14		1026033	Washer, Nylon (1/4 x 1/2 x 1/16")	1	4
15		1091374	Screw, Socket Head Shoulder (1/4 x 1/4")	1	2
16		1149592	Screw, Socket Head Shoulder (M10 x 12MM)	1	1
7	D	1152686	Kit, Motor Release Lever Hardware - Left	1	1
8		1152685	Lever, Motor Release - Left	1	1
9		1101725	Cap, Brake	1	1
10		1151605	Link, Motor	1	1
11		1025732	Locknut (#10-24)	1	2
12		1150990	Washer, Nylon (13/32 x 3/4 x 1/8")	1	2
13		1108439	Locknut (M8 x 1-1/4")	1	1
14		1026033	Washer, Nylon (1/4 x 1/2 x 1/16")	1	4
15		1091374	Screw, Socket Head Shoulder (1/4 x 1/4")	1	2
16		1149592	Screw, Socket Head Shoulder (M10 x 12MM)	1	1

NOTE: A - Includes a right and left motor brake cover with 4 screws
 B - Includes 2 motor brushes and instruction sheet
 C - Includes items 5 and 6
 D - Includes items 8-16

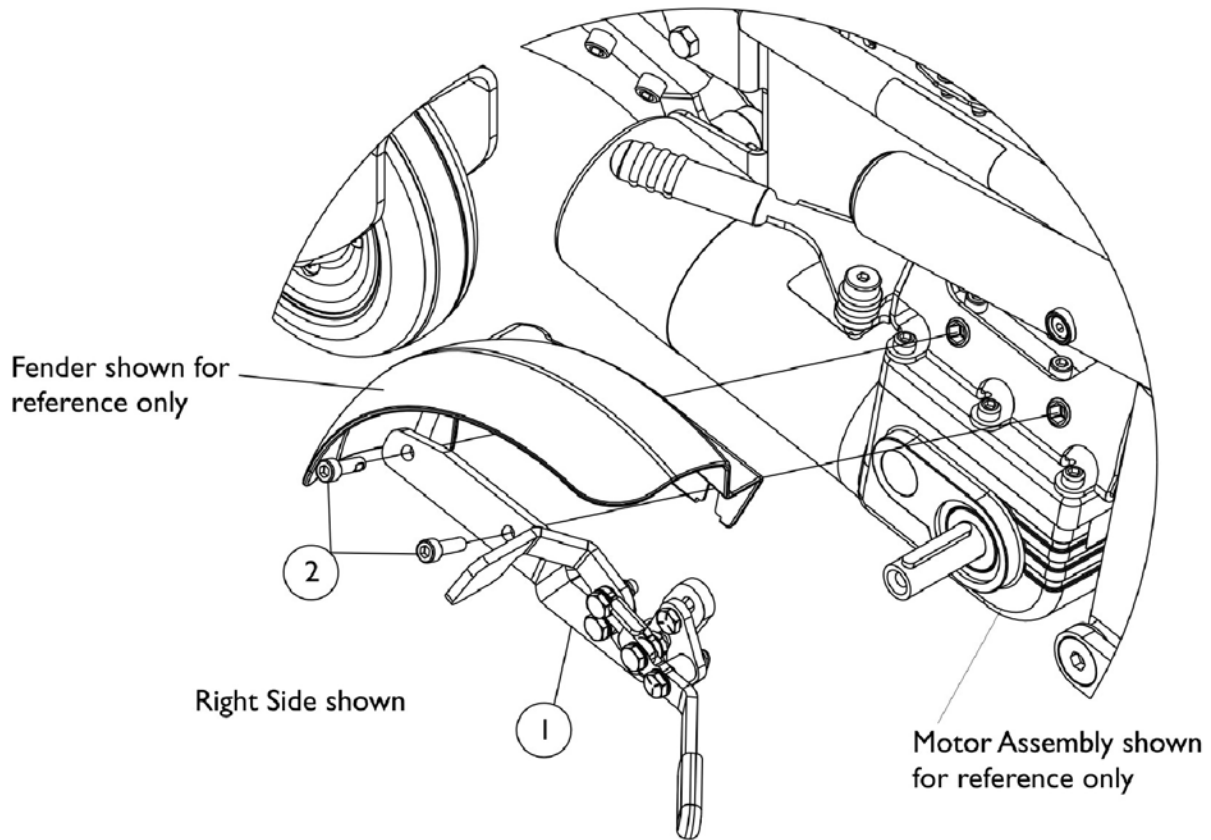
Fender Assembly



Item Number	Note	Part Number	Description	Quantity Per	
				Package	Assembly
1	A	1152698	Kit, Fender Assembly - Right	1	1
2		1150979	Fender, Right	1	1
3		1071505	Screw, Socket Head Cap with Patch (M6 x 20MM)	1	2
4		1026900	Washer (1/4 x 23/32 x 1/16")	1	2
1	A	1152699	Kit, Fender Assembly - Left	1	1
2		1150980	Fender, Left	1	1
3		1071505	Screw, Socket Head Cap with Patch (M6 x 20MM)	1	2
4		1026900	Washer (1/4 x 23/32 x 1/16")	1	2
3		1071505	Screw, Socket Head Cap with Patch (M6 x 20MM)	1	2
4		1026900	Washer (1/4 x 23/32 x 1/16")	1	2

NOTE: A - Includes items 2 -4. Item 4 is not required when a Wheel Lock is used.

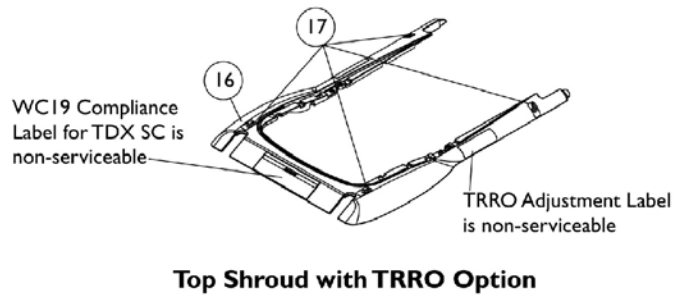
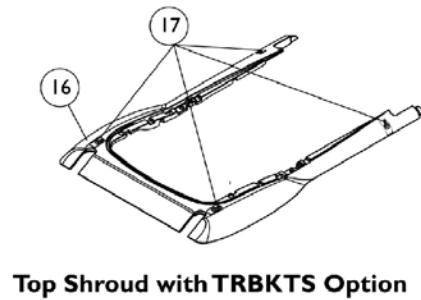
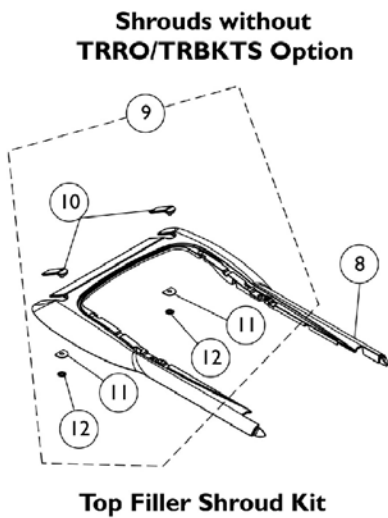
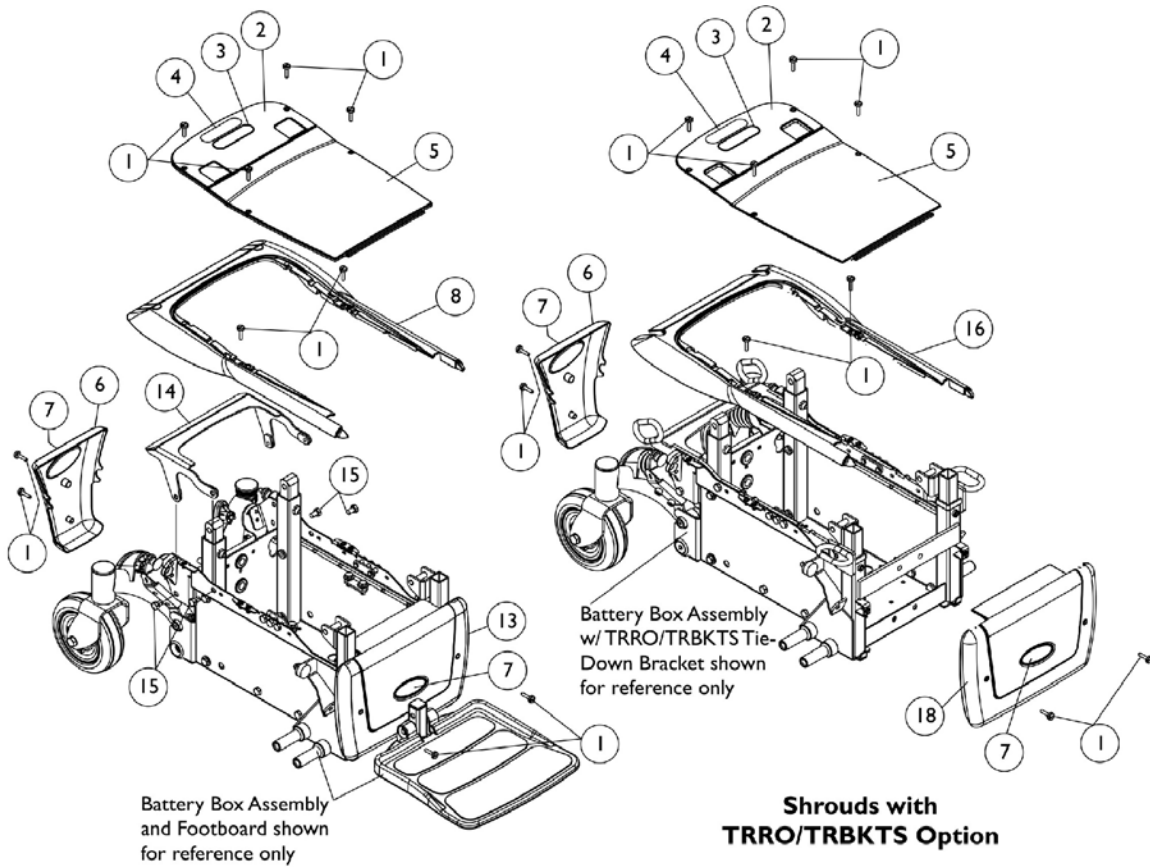
Wheel Lock Assembly



Item Number	Note	Part Number	Description	Quantity Per	
				Package	Assembly
1		1151613	Wheel Lock Assembly - Right	1	1
1		1151614	Wheel Lock Assembly - Left	1	1
2		1071505	Screw, Socket Head Cap with Patch (M6 x 20MM)	1	2

Shrouds and Hardware

TDX SC

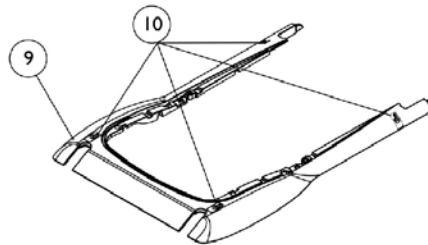
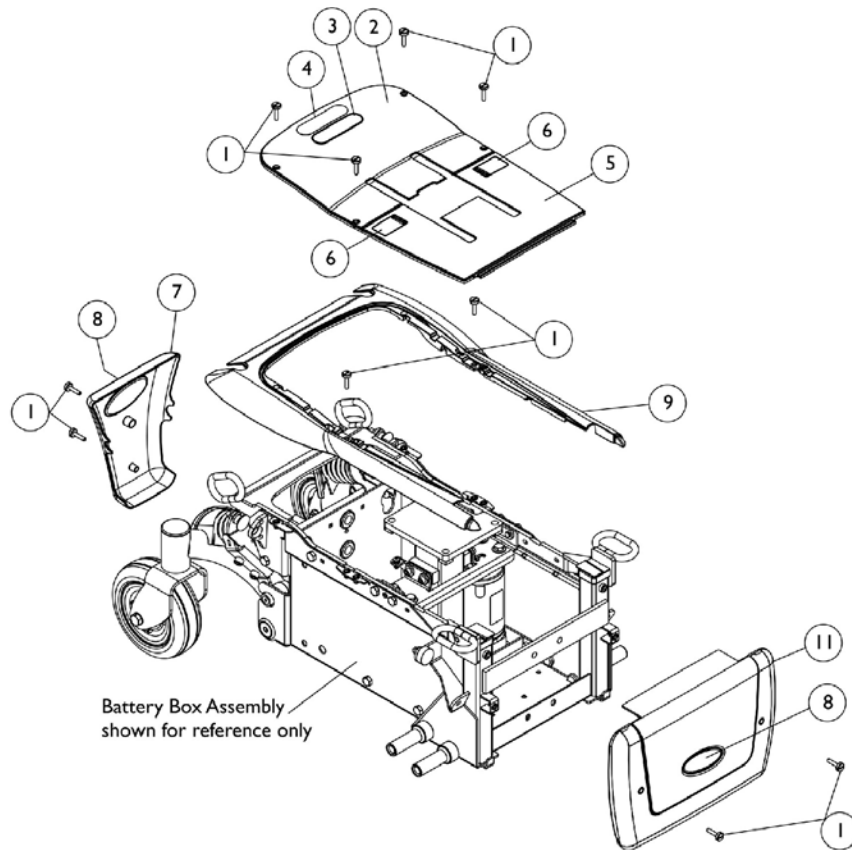


Shrouds and Hardware TDX SC

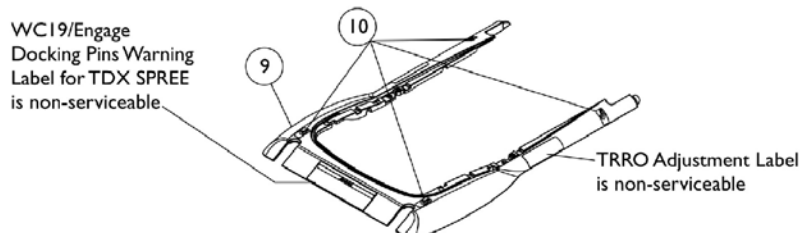
Item Number	Note	Part Number	Description	Quantity Per	
				Package	Assembly
1		1152728	Package, Screw, Thumb (10-32 x 7/8")	10	1
2	A	1152725	Shroud with Decals, Top Rearward, Black	1	1
3		1119281	Name Plate, Patent Numbers	1	1
4		1035900	Decal, Transportation	1	1
5		1152656	Shroud, Top Forward, Black	1	1
6	B	1149271	Shroud with Decals, Rear, Black	1	1
7		1090147	Decal, Invacare Medallion - Large	1	1
8	C,I	8881152727	Kit, Top Shroud Assembly, Color	1	1
		8881152711	Shroud, Top, Color	1	1
10		1152660	Shroud, Top Filler, Black	1	2
11		1152688	Washer, D-Shaped (1/4 x 13/16 x 1/16")	1	2
12		1152708	Nut, Push (3/8")	1	2
9	D	1154116	Kit, Top Filler Shroud	1	1
10		1152660	Shroud, Top Filler, Black	1	2
11		1152688	Washer, D-Shaped (1/4 x 13/16 x 1/16")	1	2
12		1152708	Nut, Push (3/8")	1	2
13	E,I	8881151621	Shroud with Decal, Notched Front, Color	1	1
14		1152690	Bracket, Support	1	1
15		1061922	Screw, Hex Head Cap w/ Patch (5/16-18 x 1/2")	1	4
16	F,I	8881154217	Shroud with Decals, Top, Color (For TRBKTS Option)	1	1
16	G,I	8881153864	Shroud with Decals, Top, Color (TRRO Option For TDX SC)	1	1
17		1083199	Label, Hook Tie-Down	1	4
18	H,I	8881151619	Shroud with Decal, Front, Color	1	1

NOTE: A - Includes Shroud with items 3 and 4
 B - Includes Shroud with item 7
 C - Includes Top Shroud with items 10-12
 D - Includes items 10-12
 E - Includes Shroud with item 7. Notched Front Shroud is used for a 90FB Footboard Assembly.
 F - Includes Shroud with item 17
 G - Includes Shroud with item 17 and WC 19 Compliance Label. Serial number of chair must be verified to ensure that TRRO option was originally ordered.
 H - Includes Shroud with item 7
 I - Specify frame color when ordering. See page titled "Frame Finishes, Touch-Up Paints and Upholstery Options".

Shrouds and Hardware (Elevate Only CGE) TDX SC and TDX SPREE



Top Shroud with TRBKTS Option



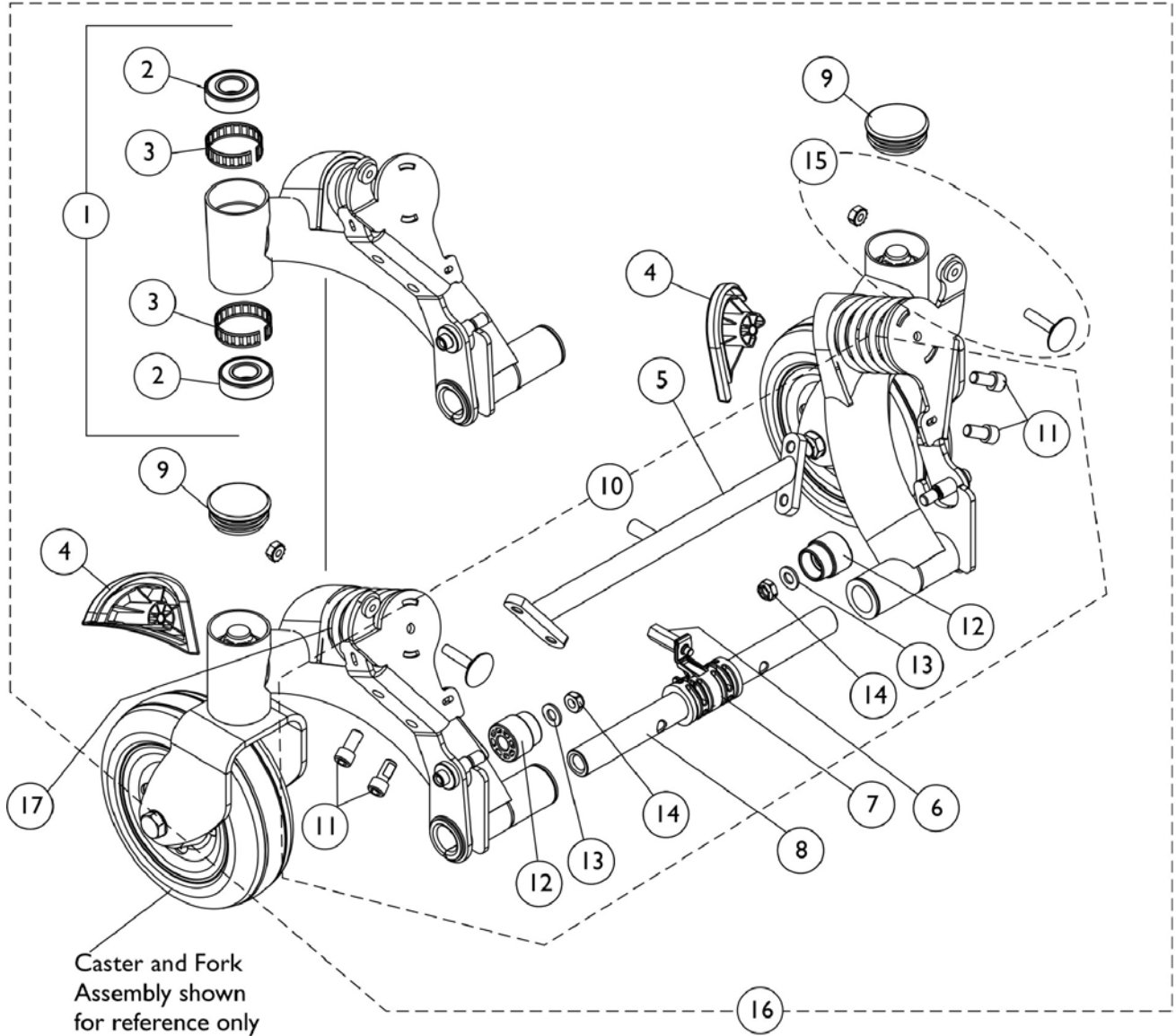
Top Shroud with TRRO Option

Shrouds and Hardware (Elevate Only CGE) TDX SC and TDX SPREE

Item Number	Note	Part Number	Description	Quantity Per	
				Package	Assembly
1		1152728	Package, Screw, Thumb (10-32 x 7/8")	10	1
2	A	1152726	Shroud with Decals, Top Rearward Elevate, Black	1	1
3		1119281	Name Plate, Patent Numbers	1	1
4		1035900	Decal, Transportation	1	1
5	B	1154219	Shroud with Decals, Top Forward Elevate, Black	1	1
6		1079203	Decal, Warning Pinch Point	1	2
7	C	1149271	Shroud with Decals, Rear, Black	1	1
8		1090147	Decal, Invacare Medallion - Large	1	1
9	D,G	8881154217	Shroud with Decals, Top, Color (For TRBKTS Option)	1	1
9	E,G	8881154218	Shroud with Decals, Top, Color (TRRO Option For TDX SPREE)	1	1
10		1083199	Label, Hook Tie-Down	1	4
11	F,G	8881151619	Shroud with Decal, Front, Color	1	1

NOTE: A - Includes Shroud with items 3 and 4
 B - Includes Shroud with item 6
 C - Includes Shroud with item 8
 D - Includes Shroud with item 10
 E - Includes Shroud, item 10, WC 19/Engage Docking Pins Warning Label and TRRO Adjustment Label
 F - Includes Shroud with item 8
 G - Specify frame color when ordering. See page titled "Frame Finishes, Touch-Up Paints and Upholstery Options".

Rear Pivot Assembly

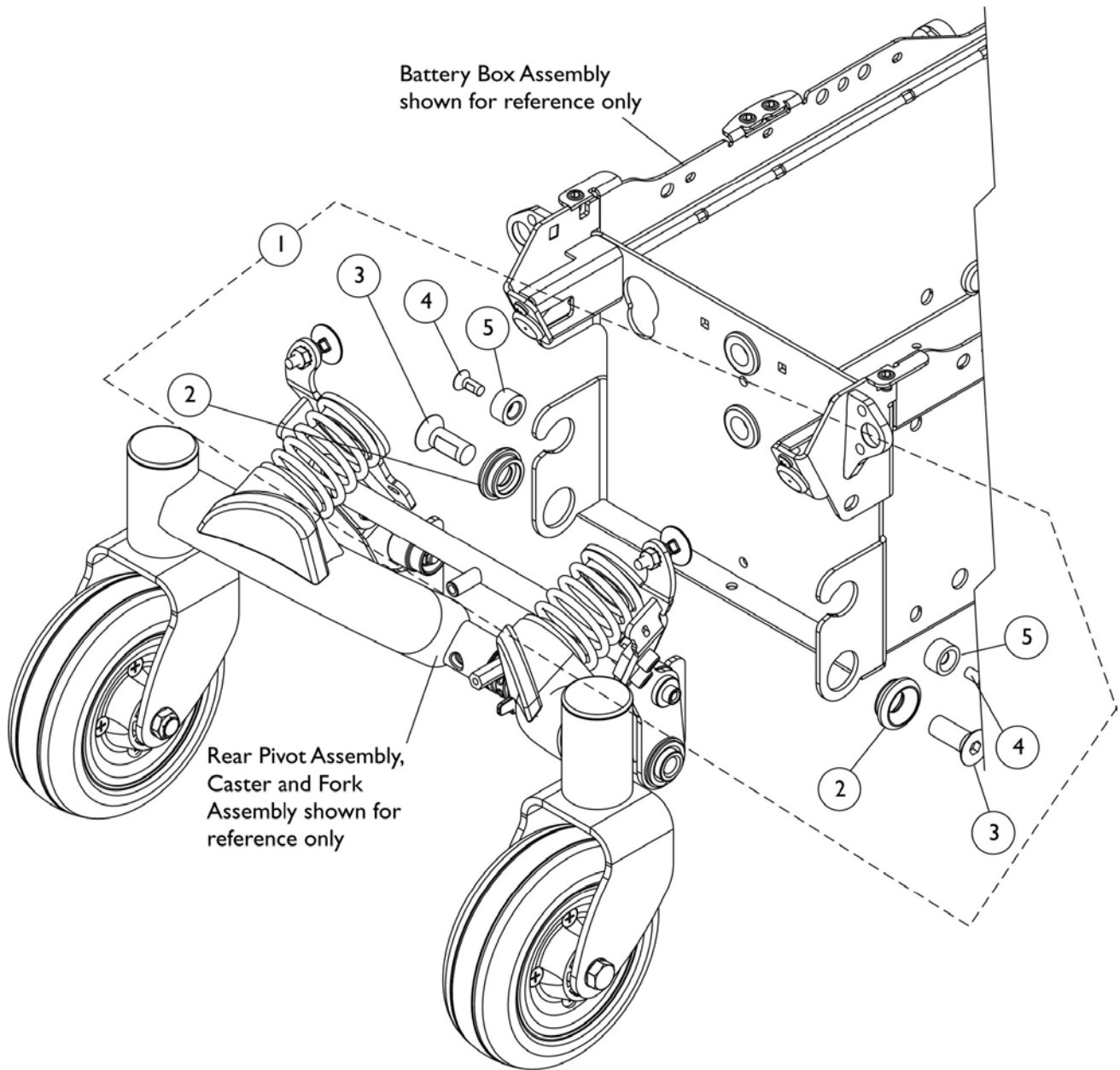


Rear Pivot Assembly

Item Number	Note	Part Number	Description	Quantity Per	
				Package	Assembly
1	A,B	8881151582	Kit, Swing Arm (Color) with Bearings, Rear - Right	1	1
2		40117X006	Bearing (5/8")	1	2
3		1110717	Ring, Tolerance	1	2
1	A,B	8881151583	Kit, Swing Arm (Color) with Bearings, Rear - Left	1	1
2		40117X006	Bearing (5/8")	1	2
3		1110717	Ring, Tolerance	1	2
2		40117X006	Bearing (5/8")	1	2
3		1110717	Ring, Tolerance	1	2
4		1150988	Cap, Rear - Right	1	1
4		1150989	Cap, Rear - Left	1	1
5		1149595	Cross-Member, Pivot	1	1
6		1151617	Stand-Off (10-32 x 1")	1	1
7		1144672	Bushing Assembly, Center	1	1
8		1149238	Bar, Pivot	1	1
9		1110709	Cap, Headtube	1	2
10	C	1145067	Kit, Pivot Assembly Hardware	1	1
11		1098960	Screw, Socket Head Cap w/ Patch (5/16-18 x 5/8")	1	4
12		1142265	Stop, Nylon	1	2
13		1059655	Washer (5/16 x 5/8 x 1/16")	1	2
14		1028769	Locknut (5/16-18)	1	2
		1146631	Spacer, Nylon (3/4" x 1-1/4" x 23/32")	1	2
15		1151949	Kit, Elevator Bolt w/ Keps Nut (1/4-20)	1	2
16	B,D	8881149284	Kit, Rear Pivot Assembly (Color) (For TDX SC/Spree)	1	1
17	E	1151586	Spring, Yellow, Heavy Duty	1	2
17	F	1151587	Spring, Yellow, Non-Heavy Duty	1	2

NOTE: A - Includes Swing Arm and items 2-3
 B - Specify frame color when ordering. See page titled "Frame Finishes and Touch-Up Paints."
 C - Includes items 11-14 and (part # 1146631 Nylon Spacers - Not Shown. These spacers are used for TDX SP models only. Disregard for TDX SC and SPREE models)
 D - Includes items 1, 4-10 and 15
 E - Used for all TDX SC models and TDX SPREE with Formula CG Tilt
 F - Used for all TDX SPREE models except TDX SPREE with Formula CG Tilt

Rear Pivot Assembly Mounting Hardware

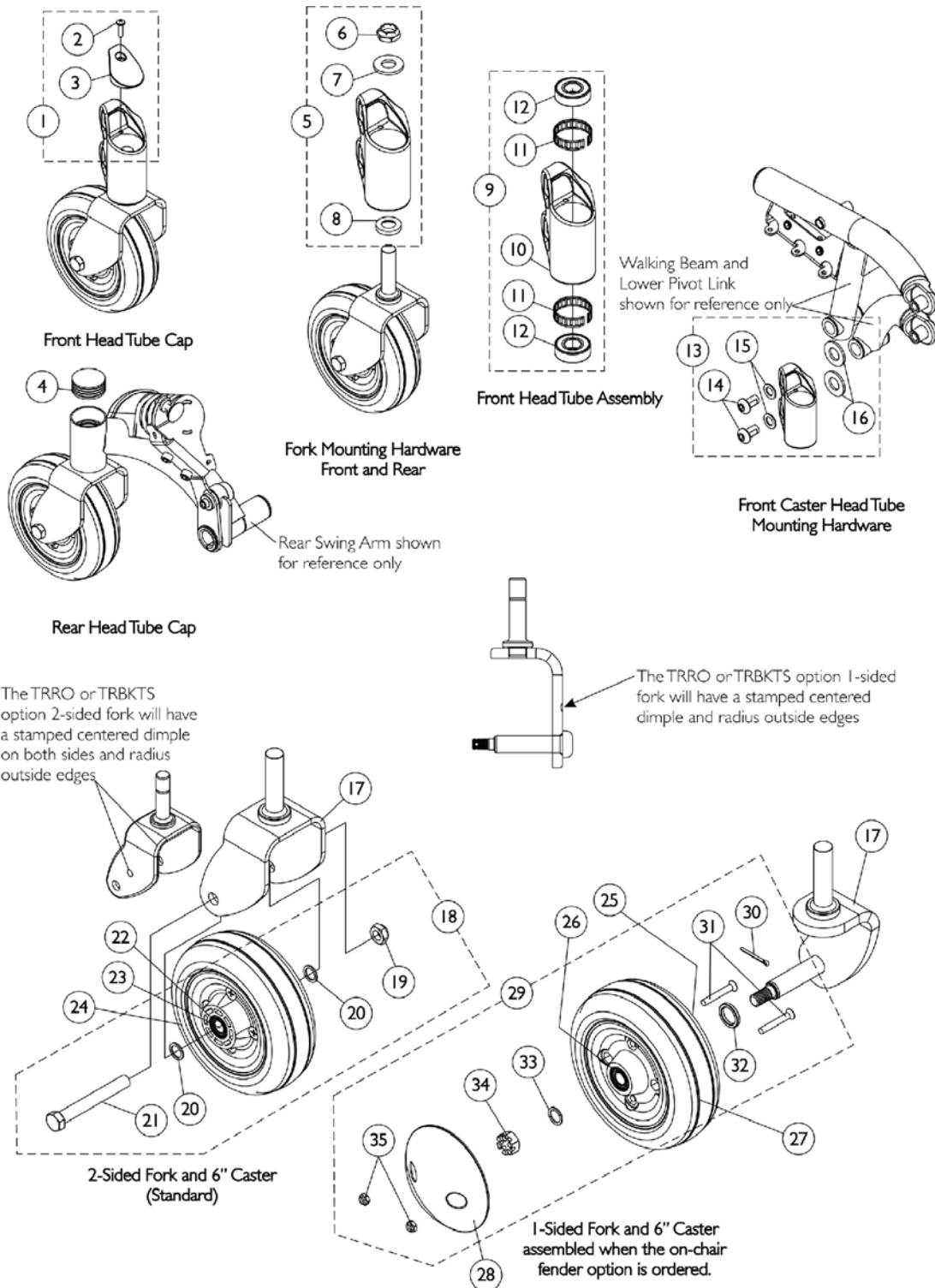


Rear Pivot Assembly Mounting Hardware

Item Number	Note	Part Number	Description	Quantity Per	
				Package	Assembly
1	A	1149285	Kit, Rear Pivot Assembly Mounting Hardware	1	1
2		1149583	Bushing, Rear Pivot	1	2
3		1149585	Screw, Socket Flat C'Sunk Head Cap w/ Patch (1/2-13 x 1-1/4")	1	2
4		1144670	Screw, Socket Flat Head Countersunk w/ Patch (1/4-20 x 5/8")	1	2
5		1142266	Spacer, Nylon	1	2

NOTE: A - Includes items 2-5

Caster, 6" Front and Rear



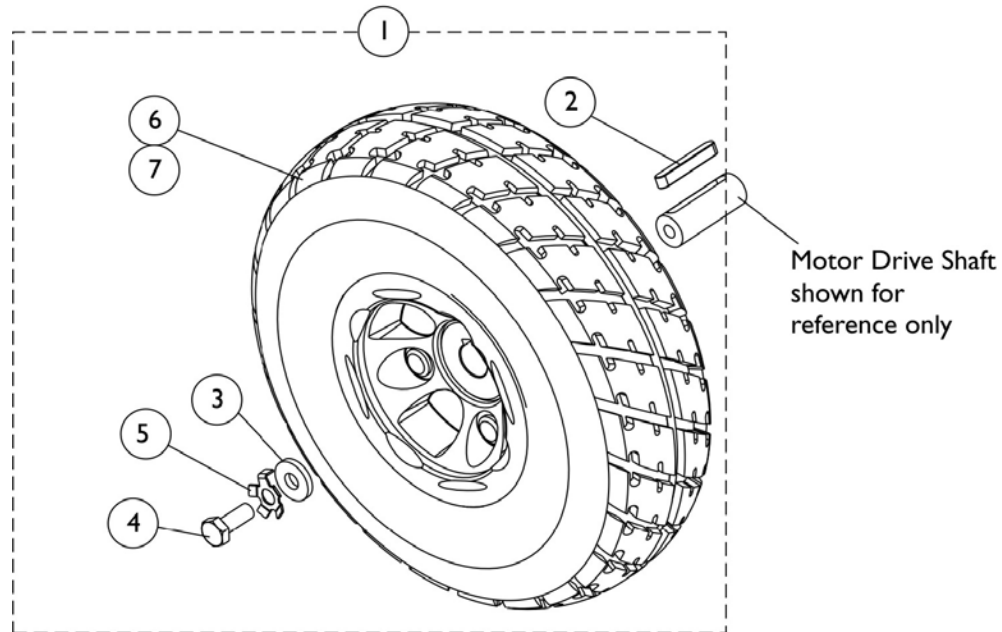
Caster, 6" Front and Rear

Item Number	Note	Part Number	Description	Quantity Per	
				Package	Assembly
1	A	1142342	Kit, Cap with Screw, Front Head Tube - Right	1	1
2		1025716	Screw, Phillips Pan Head (#10-32 x 11/16")	1	1
3		1142306	Cap, Front Head Tube - Right	1	1
1	A	1142343	Kit, Cap with Screw, Front Head Tube - Left	1	1
2		1025716	Screw, Phillips Pan Head (#10-32 x 11/16")	1	1
3		1142307	Cap, Front Head Tube - Left	1	1
4		1110709	Cap, Headtube	1	1
5	B	1110684	Kit, Fork Mounting Hardware	1	1
6		1028550	Locknut (5/8-18)	1	1
7		1041444	Washer (5/8 x 1-5/16 x 1/8")	1	1
8		1106068	Spacer, Stem (5/8 x 1-1/8 x 3/16")	1	1
9	C	1142340	Kit, Front Head Tube Assembly - Right	1	1
10		1121665	Head Tube - Right	1	1
11		1110717	Ring, Tolerance	1	2
12		40117X006	Bearing (5/8")	1	2
9	C	1142341	Kit, Front Head Tube Assembly - Left	1	1
10		1121666	Head Tube - Left	1	1
11		1110717	Ring, Tolerance	1	2
12		40117X006	Bearing (5/8")	1	2
13	D	1154107	Kit, Front Head Tube Mounting Hardware	1	1
14		1134248	Screw, Socket Button Head Cap w/ Patch (1/2-13 x 7/8")	1	2
15		1144639	Washer, Nylon (1/2 x 7/8 x 1/16")	1	2
16		1134247	Washer, Nylon (3/4 x 1-1/2 x 1/8")	1	2
17		1110683	Fork and Stem	1	1
17	I	1141020	Fork and Stem For TRRO/TRBKTS Option	1	1
17	E	1113123	Fork and Stem, 1-Sided - Right	1	1
17	E	1113124	Fork and Stem, 1-Sided - Left	1	1
17	E,H	1141005	Fork and Stem For TRRO/TRBKTS Option, 1-Sided - Right	1	1
17	E,H	1141006	Fork and Stem For TRRO/TRBKTS Option, 1-Sided - Left	1	1
18	F	1110708	Kit, Caster Mounting Hardware	1	1
19		1025734	Locknut (7/16-20)	1	1
20		1025724	Washer (15/32 x 5/8 x 3/64")	1	2
21		1025726	Screw, Hex Head (7/16-20 x 3-1/4")	1	1
22		1006049	Bearing (7/16")	1	2
23		1020592	Spacer, Bearing (7/16 x 5/8 x 1-3/4")	1	1
24		1115179	Wheel with Bearings, 6 x 2" Urethane Deep Profile	1	1
25		40117X006	Bearing (5/8")	1	1
26		1006049	Bearing (7/16")	1	1
27		1110715	Wheel with Bearings, 6" x 2" Urethane Deep Profile	1	1
28		1105854	Hub Cap	1	1
29	G	1108561	Hardware, Caster	1	1

Caster, 6" Front and Rear

Item Number	Note	Part Number	Description	Quantity Per	
				Package	Assembly
30		1105852	Pin, Cotter	1	1
31		1115246	Screw, Phillips Flat Head Countersunk (M6 x 1 x 45mm)	1	2
32		1108005	Spacer, Steel (5/8 x 7/8 x 1/8")	1	1
33		1025724	Washer (15/32 x 5/8 x 3/64")	1	1
34		1107168	Nut, Hex Slotted (7/16-20)	1	1
35		1107698	Locknut (M6 x 1)	1	2
NOTE: A - Includes items 2 and 3 B - Includes items 6-8 C - Includes items 10-12 D - Includes items 14-16 E - When 1-sided forks are used, they are assembled in the front and rear of the power chair F - Includes items 19-21 G - Includes items 30-35 H - The TRRO or TRBKTS option 1-sided fork will have a stamped centered dimple and radius outside edges I - The TRRO or TRBKTS option 2-sided fork will have stamped centered dimple on both sides and radius outside edges					

Drive Wheels and Mounting Hardware (10" x 3")

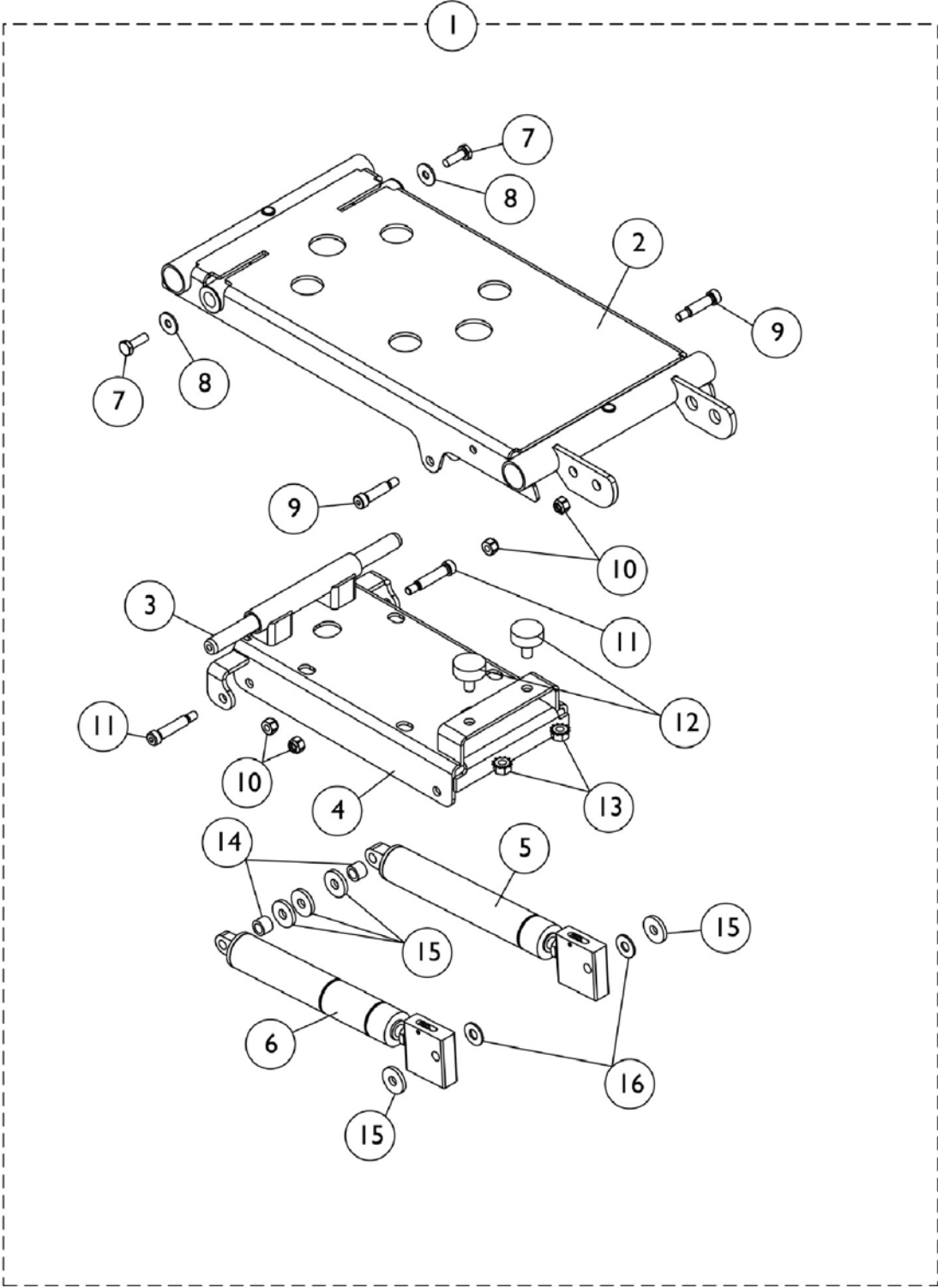


Item Number	Note	Part Number	Description	Quantity Per	
				Package	Assembly
1	A	1102339	Kit, Drive Wheel with Mounting Hardware - Flat Free (10 x 3")	1	1
2		1023264	Key (6 MM x 6MM x 40 MM)	1	1
3		1023262	Washer (11/32 x 13/16 x 1/8")	1	1
4		1023260	Screw (M8 x 1-1/4 x 20MM)	1	1
5		1064179	Kit, Locking Tab Washers with Instruction Sheet	1	1
6		1102342	Tire w/ Flat-Free (10" x 3")	1	1
7		1105043	Wheel, Drive with Tire and Bearings - Flat Free (10" x 3")	1	1
5	B	1064179	Kit, Locking Tab Washers with Instruction Sheet	1	1
6		1102342	Tire w/ Flat-Free (10" x 3")	1	1

NOTE: A - Includes items 2-5 and 7
B - Includes 2 ea. Locking Tab Washers and Instruction Sheet

Manual Tilt Interface Assembly

TDX SPREE

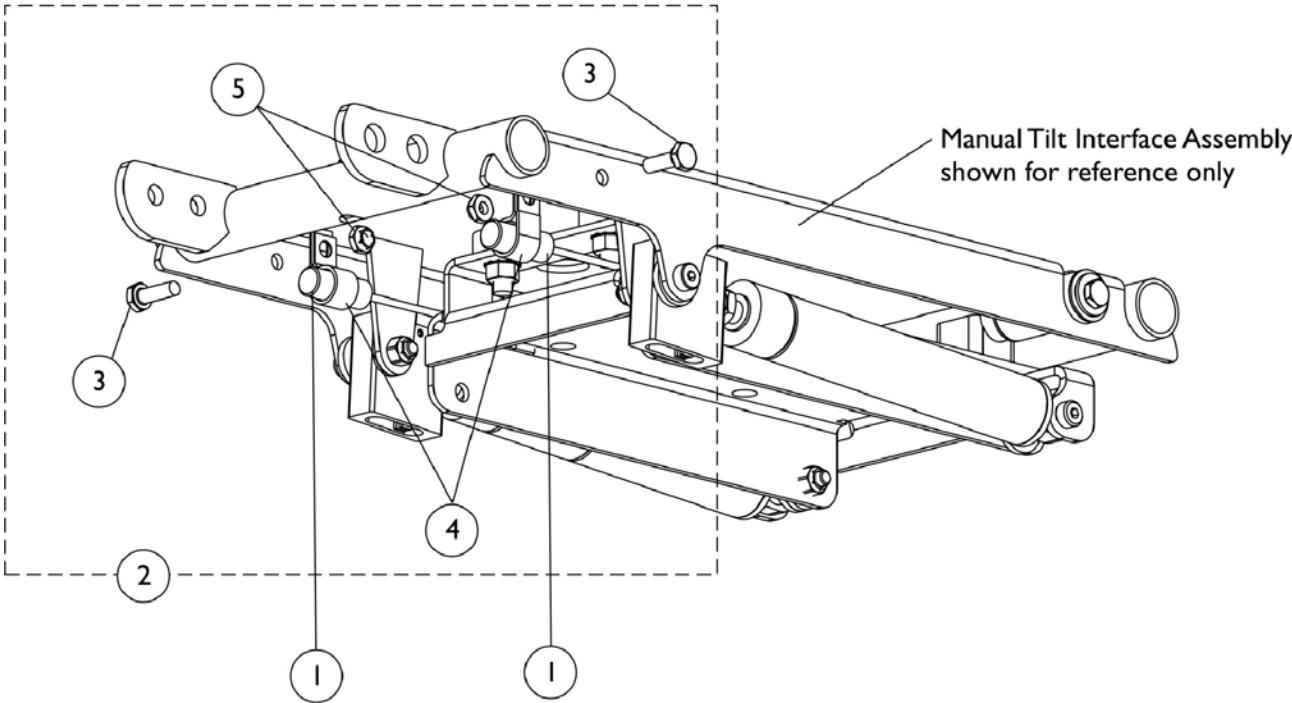


Manual Tilt Interface Assembly TDX SPREE

Item Number	Note	Part Number	Description	Quantity Per	
				Package	Assembly
1	A	1151028	Kit, Manual Tilt Interface Assembly TDX SPREE	1	1
2		1151027	Frame, Manual Tilt Center Seat	1	1
3		1151885	Rod, Pivot	1	1
4		1149616	Frame, Elevate Manual Tilt	1	1
5		1075256	Cylinder, Gas w/ Release Cable -Left	1	1
6		1075255	Cylinder, Gas w/ Release Cable -Right	1	1
7		1045267	Screw, Hex Head (1/4-20 x 3/4")	1	2
8		1026900	Washer (1/4 x 23/32 x 1/16")	1	2
9		1087417	Screw, Socket Head Shoulder (5/16 x 1")	1	2
10		1025736	Locknut (1/4-20)	1	4
11		1025351	Screw, Socket Head Shoulder (5/16 x 1-1/4")	1	2
12		1141290	Bumper, Rubber (1" Dia. x 3/8")	1	2
13		000037	Nut, Keps (5/16-18)	1	2
14		1104856	Spacer (5/16 x 1/2 x 3/8")	1	2
15		1016301	Washer, Nylon (5/16 x 7/8 x 1/8")	1	5
16		1074133	Washer (5/16 x 3/4 x 1/16")	1	2
2		1151027	Frame, Manual Tilt Center Seat	1	1
3		1151885	Rod, Pivot	1	1
4		1149616	Frame, Elevate Manual Tilt	1	1
5		1075256	Cylinder, Gas w/ Release Cable -Left	1	1
6		1075255	Cylinder, Gas w/ Release Cable -Right	1	1
7	B,C	1154122	Kit, Manual Tilt Interface Hardware TDX SPREE	1	1
7		1045267	Screw, Hex Head (1/4-20 x 3/4")	1	2
8		1026900	Washer (1/4 x 23/32 x 1/16")	1	2
9		1087417	Screw, Socket Head Shoulder (5/16 x 1")	1	2
10		1025736	Locknut (1/4-20)	1	4
11		1025351	Screw, Socket Head Shoulder (5/16 x 1-1/4")	1	2
12		1141290	Bumper, Rubber (1" Dia. x 3/8")	1	2
13		000037	Nut, Keps (5/16-18)	1	2
14		1104856	Spacer (5/16 x 1/2 x 3/8")	1	2
15		1016301	Washer, Nylon (5/16 x 7/8 x 1/8")	1	5
16		1074133	Washer (5/16 x 3/4 x 1/16")	1	2

NOTE: A - Includes items 2-16
B - Includes items 7-16
C - Not Shown

Mercury Switches and Hardware, Manual Tilt TDX SPREE

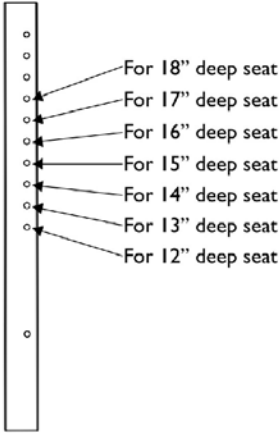
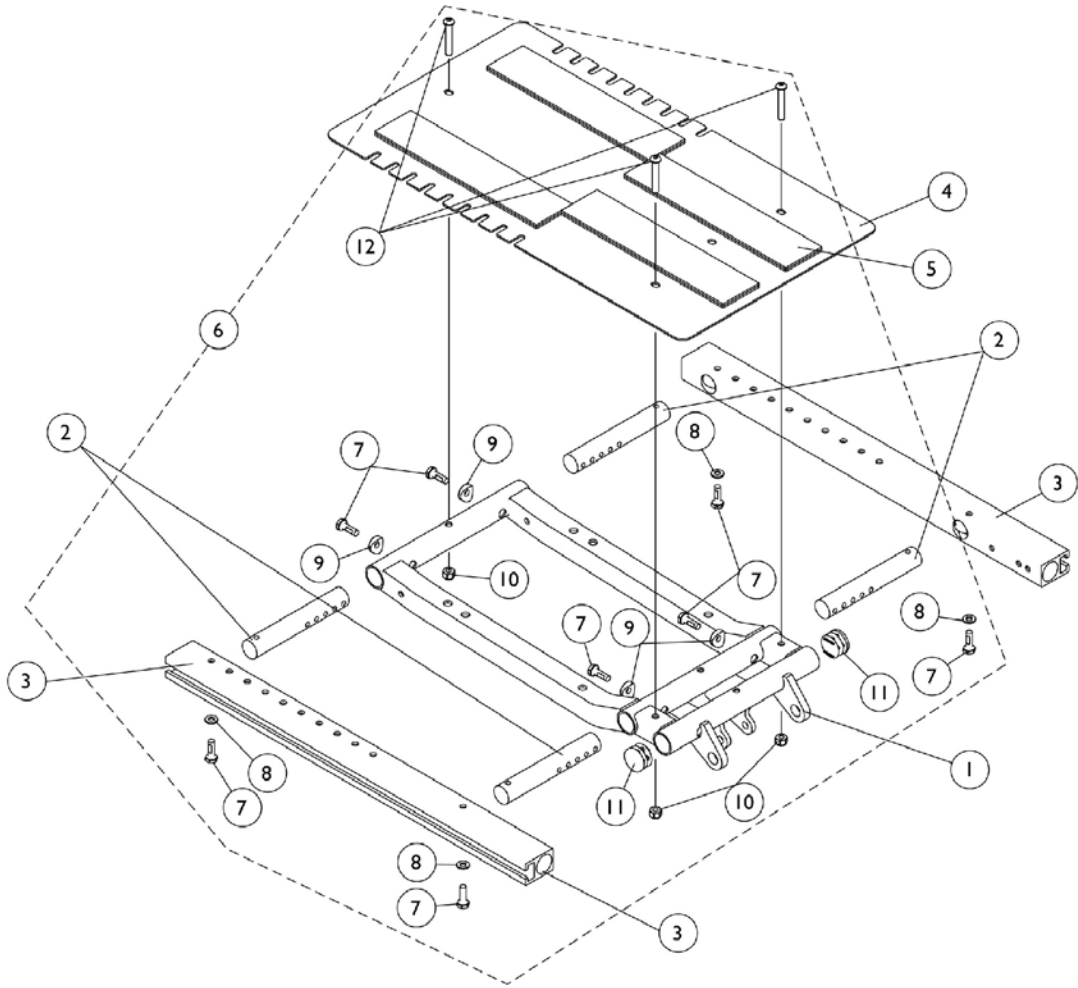


Mercury Switches and Hardware, Manual Tilt TDX SPREE

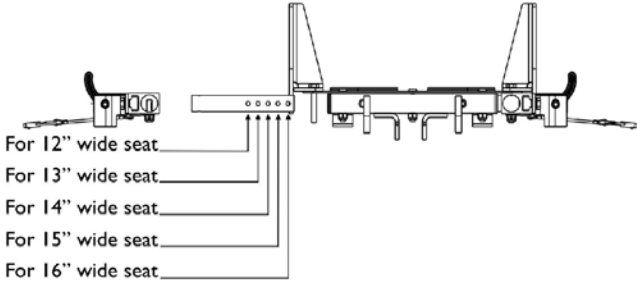
Item Number	Note	Part Number	Description	Quantity Per	
				Package	Assembly
1		1080635	Harness, Recline/Tilt Mercury Switch	1	2
2	A	1154117	Kit, Mercury Switch Mounting Hardware	1	1
3		1025708	Bolt, Hex Head Cap (1/4-20 x 3/4")	1	2
4		0062800	Bracket, Cable/Wire Mounting, Black	1	2
5		1025195	Locknut (1/4-20)	1	2

NOTE: A - Includes items 3-5

ADJASBA Seat Frame, Seat Pan and Hardware (12"-16" Wide) Non-Manual Tilt



Seat Frame Depth Settings

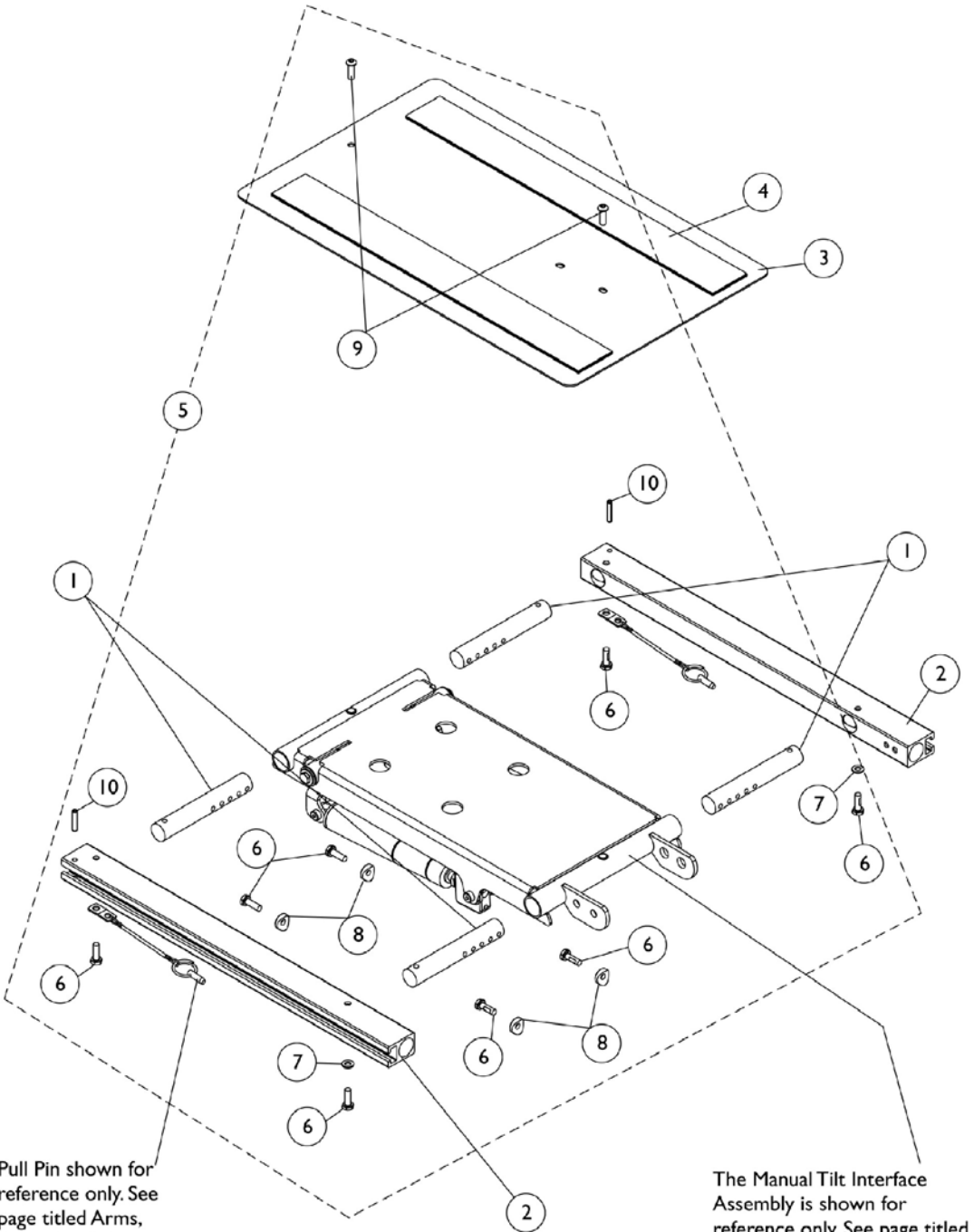


Seat Frame Width Settings

ADJASBA Seat Frame, Seat Pan and Hardware (12"-16" Wide) Non-Manual Tilt

Item Number	Note	Part Number	Description	Quantity Per	
				Package	Assembly
1		1121982	Frame, Center Seat	1	1
2		1126126	Crossbar, Seat Frame (12-16" Wide)	1	4
3		1126127	Rail, Side (12-18" Deep)	1	2
4	A	1126144	Seat Pan w/ Hook and Loop Fasteners (12-16" W x 12-18" D)	1	1
5		1039949	Fastener, Hook Adhesive Back (2" x 16")	1	4
5		1044578	Fastener, Loop Adhesive Back (2" x 16")	1	4
6	B	1135500	Kit, Seat Frame Assembly Hardware 12"-16" Wide	1	1
7		1045267	Screw, Hex Head (1/4-20 x 3/4")	1	8
8		1026907	Washer (1/4 x 1/2 x 1/16")	1	4
9		1026099	Spacer, Coved (1/4 x 11/16 x 1/2")	1	4
10		1025736	Locknut (1/4-20)	1	3
11		1029501	Plug Button, Black (1")	1	2
12		1008495	Screw, Socket Button Head (1/4-20 x 1-1/2")	1	3
11		1134425	Package, Plug Buttons, Black (1")	10	1
NOTE: A - Includes item 5 B - Includes items 7-12					

ADJASBA Seat Frame, Seat Pan and Hardware (12"-16" Wide) Manual Tilt



Pull Pin shown for reference only. See page titled Arms, Mounting Swingaway Hardware

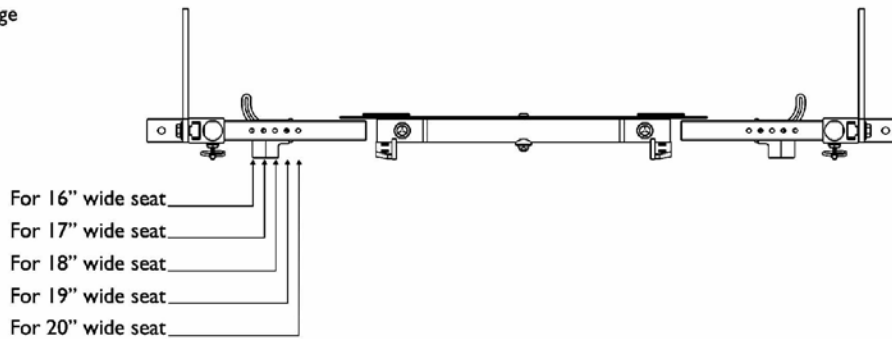
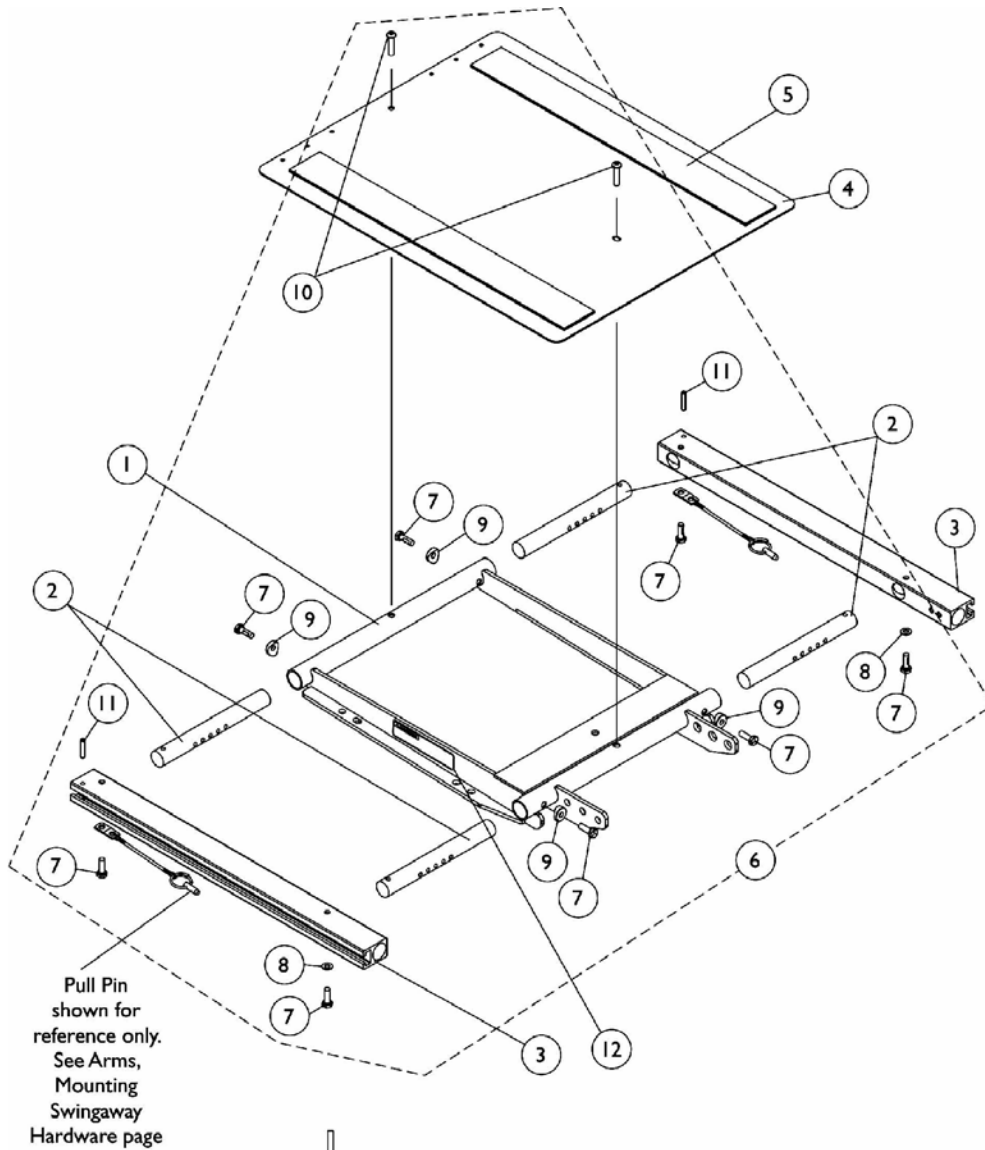
The Manual Tilt Interface Assembly is shown for reference only. See page titled Manual Tilt Interface Assembly

ADJASBA Seat Frame, Seat Pan and Hardware (12"-16" Wide) Manual Tilt

Item Number	Note	Part Number	Description	Quantity Per	
				Package	Assembly
1		1126126	Crossbar, Seat Frame (12-16" Wide)	1	4
2		1122647	Rail, Seat Frame (16-20" Deep For Formula TRE & 16-19" Deep For ADJASBA)	1	2
3	A	1142961	Seat Pan w/ Hook and Loop Fasteners (12-16 W x 12-18" D)	1	1
4		1043082	Hook Fastener, Adhesive (2" x 18")	1	2
4		1044580	Loop Fastener, Adhesive (2" x 18")	1	2
5	B	1135501	Kit, Seat Frame Assembly Hardware	1	1
6		1045267	Screw, Hex Head (1/4-20 x 3/4")	1	8
7		1026907	Washer (1/4 x 1/2 x 1/16")	1	2
8		1026099	Spacer, Coved (1/4 x 11/16 x 1/2")	1	4
9		1009838	Screw, Socket Head (1/4-20 x 3/4")	1	2
10		40187X014	Pin, Roll (3/16 x 1")	1	2
NOTE: A - Includes item 4 B - Includes items 6-10					

ADJASBA/ADJRECL Seat Frame, Seat Pan and Hardware (16"-20" Wide) x (16"-20" Deep)

ADJRECL Seat Frame is not available with CGE elevate option



Seat Frame Width Settings

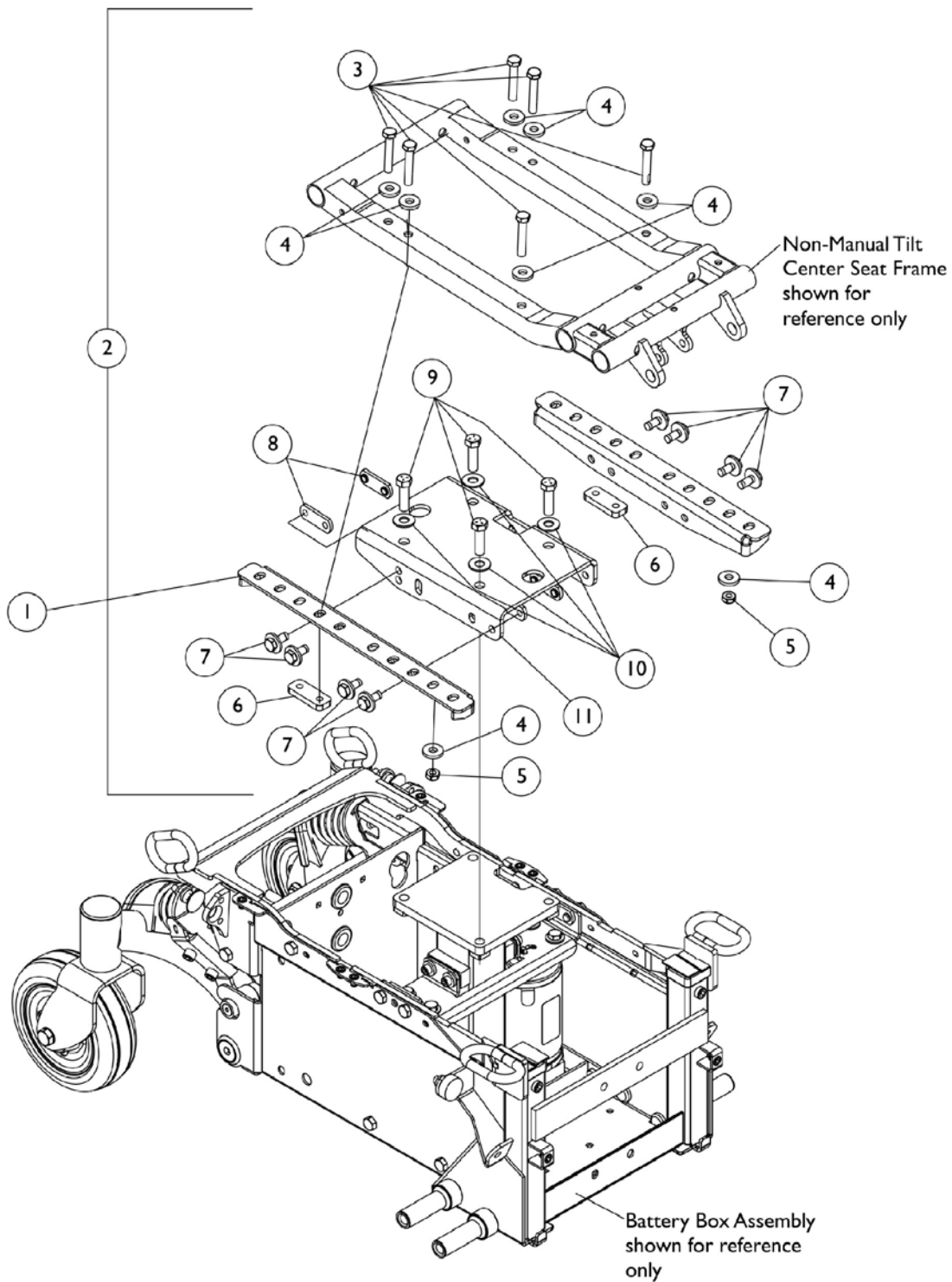
ADJASBA/ADJRECL Seat Frame, Seat Pan and Hardware (16"-20" Wide) x (16"-20" Deep)

ADJRECL Seat Frame is not available with CGE elevate option

Item Number	Note	Part Number	Description	Quantity Per	
				Package	Assembly
1	D	1120288	Frame, Center Seat	1	1
2		1122475	Crossbar, Seat Frame (16"-20" Wide)	1	4
3		1122647	Rail, Seat Frame (16-20" Deep For Formula TRE & 16-19" Deep For ADJASBA)	1	2
3	E	1122677	Rail, Seat Frame (20-22" Deep For Formula TRE & 19-22" Deep For ADJASBA)	1	2
4		1124386	Seat Pan w/ Hook and Loop Fasteners 16-20" Wide x (16-20" Deep For Formula TRE & 16-19" Deep For ADJASBA)	1	1
4		1124666	Seat Pan w/ Hook and Loop Fasteners 16-20" Wide x (20-22" Deep For Formula TRE & 19-22" Deep For ADJASBA)	1	1
5	A	1043082	Hook Fastener, Adhesive (2" x 18")	1	2
5	A	1044580	Loop Fastener, Adhesive (2" x 18")	1	2
5	B	1043084	Hook Fastener, Adhesive (2" x 22")	1	2
5	B	1044584	Loop Fastener, Adhesive (2" x 22")	1	2
6	C	1135501	Kit, Seat Frame Assembly Hardware	1	1
7		1045267	Screw, Hex Head (1/4-20 x 3/4")	1	8
8		1026907	Washer (1/4 x 1/2 x 1/16")	1	2
9		1026099	Spacer, Coved (1/4 x 11/16 x 1/2")	1	4
10		1009838	Screw, Socket Head (1/4-20 x 3/4")	1	2
11		40187X014	Pin, Roll (3/16 x 1")	1	2
12		1114823	Decal, Seat Adjustment Warning	1	2

NOTE: A - For 16"-19" deep seats
 B - For 19"-22" deep seats.
 C - Includes items 7-11
 D - When ordering Center Seat Frame (item 1), also order 2 ea. Seat Adjustment Warning Decal (item 12).
 E - TDX SC models go to 20" deep only

ADJASBA Seat Frame Mounting Hardware (12"-16" Wide) Non-Manual Tilt TDX SPREE

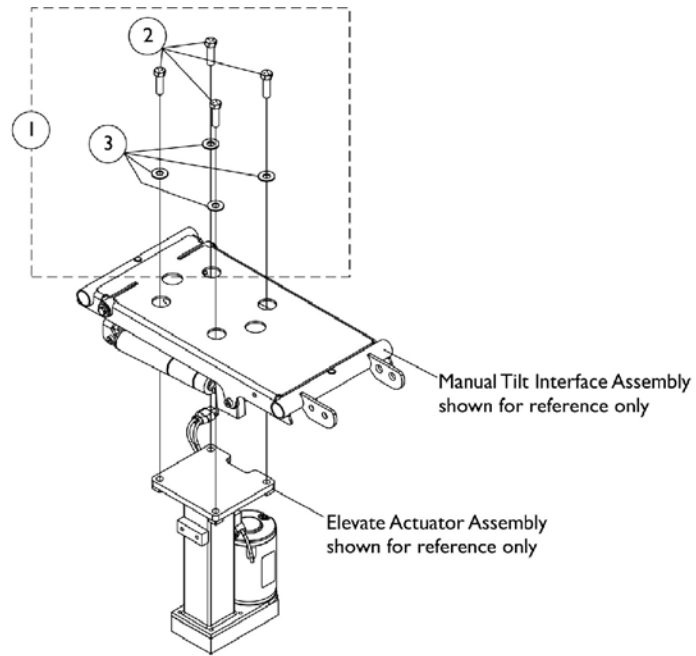


ADJASBA Seat Frame Mounting Hardware (12"-16" Wide) Non-Manual Tilt TDX SPREE

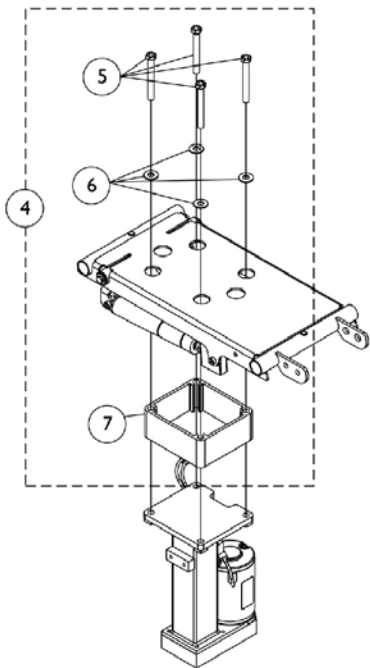
Item Number	Note	Part Number	Description	Quantity Per	
				Package	Assembly
1		1151880	Mounting Plate, Low Seat-To-Floor	1	2
1		1151881	Mounting Plate, Med Seat-To-Floor	1	2
1		1151882	Mounting Plate, Tall Seat-To-Floor	1	2
2		1147966	Kit, Seat Frame Mounting Hardware (12"-16" Wide)	1	1
3		1043627	Screw, Hex Head Cap with Patch (5/16-18 x 1-3/4")	1	6
4		1079247	Washer, Flat (21/64 x 53/64 x 7/64")	1	8
5		1028769	Locknut (5/16-18)	1	2
6		1137229	Plate, Nut (5/16-18)	1	2
7		1142304	Screw, Hex Head SEMS w/ Patch (5/16-18 x 3/4")	1	8
8		1121721	Nut, Weld (5/16-18 x 1-1/8" Spacing)	1	4
9		1118888	Screw, Hex Head (3/8-16 x 1-1/4")	1	4
10		1118889	Washer, Steel (3/8 x 7/8 x 1/16")	1	4
11		1147965	Bracket, Seat Frame Elevate Mounting	1	1
	B	1154118	Kit, Mounting Plate Hardware	1	1
7		1142304	Screw, Hex Head SEMS w/ Patch (5/16-18 x 3/4")	1	8
8		1121721	Nut, Weld (5/16-18 x 1-1/8" Spacing)	1	4

NOTE: B - Not Shown. Includes items 7 and 8

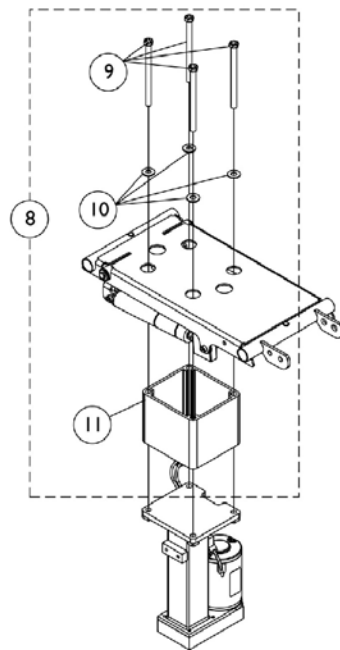
ADJASBA Seat Frame Mounting Hardware (12"-16" Wide) Manual Tilt TDX SPREE



Seat Frame Mounting Hardware LOW Seat-To-Floor



**Seat Frame Mounting Hardware
MED Seat-To-Floor**

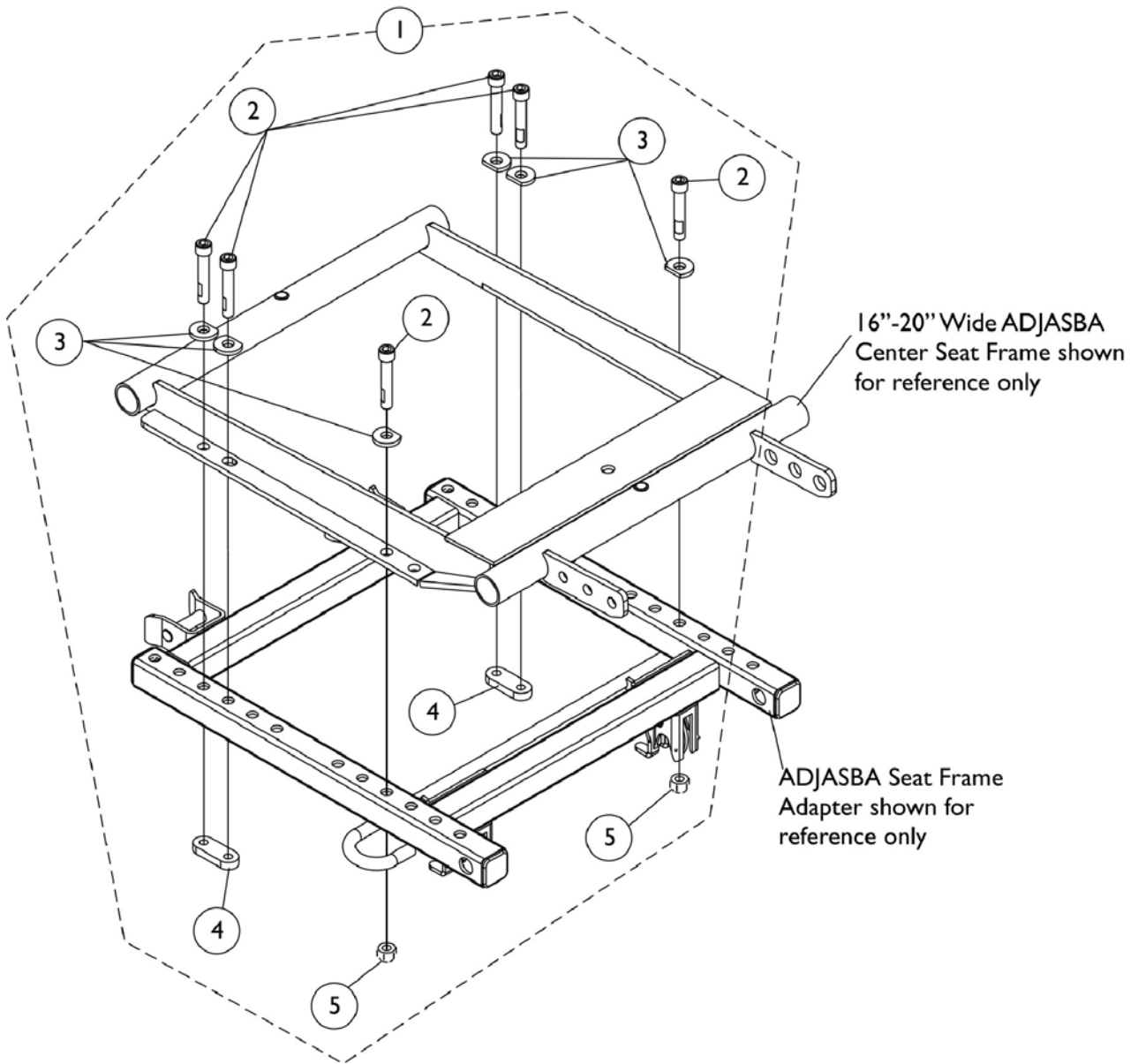


**Seat Frame Mounting Hardware
TALL Seat-To-Floor**

ADJASBA Seat Frame Mounting Hardware (12"-16" Wide) Manual Tilt TDX SPREE

Item Number	Note	Part Number	Description	Quantity Per	
				Package	Assembly
1	A	1151874	Kit, Seat Frame Mounting Hardware, Low Seat-To-Floor (12"-16" Wide)	1	1
2		1118888	Screw, Hex Head (3/8-16 x 1-1/4")	1	4
3		1118889	Washer, Steel (3/8 x 7/8 x 1/16")	1	4
4	B	1151875	Kit, Seat Frame Mounting Hardware, Med Seat-To-Floor (12"-16" Wide)	1	1
5		1151872	Screw, Hex Head (3/8-16 x 3")	1	4
6		1118889	Washer, Steel (3/8 x 7/8 x 1/16")	1	4
7		1151870	Bracket, 2" Seat-To-Floor	1	1
8	C	1151876	Kit, Seat Frame Mounting Hardware, Tall Seat-To-Floor (12"-16" Wide)	1	1
9		1151873	Screw, Hex Head (3/8-16 x 5")	1	4
10		1118889	Washer, Steel (3/8 x 7/8 x 1/16")	1	4
11		1151871	Bracket, 4" Seat-To-Floor	1	1
3		1118889	Washer, Steel (3/8 x 7/8 x 1/16")	1	4
5		1151872	Screw, Hex Head (3/8-16 x 3")	1	4
9		1151873	Screw, Hex Head (3/8-16 x 5")	1	4
NOTE: A - Includes items 2 and 3 B - Includes items 5-7 C - Includes items 9-11					

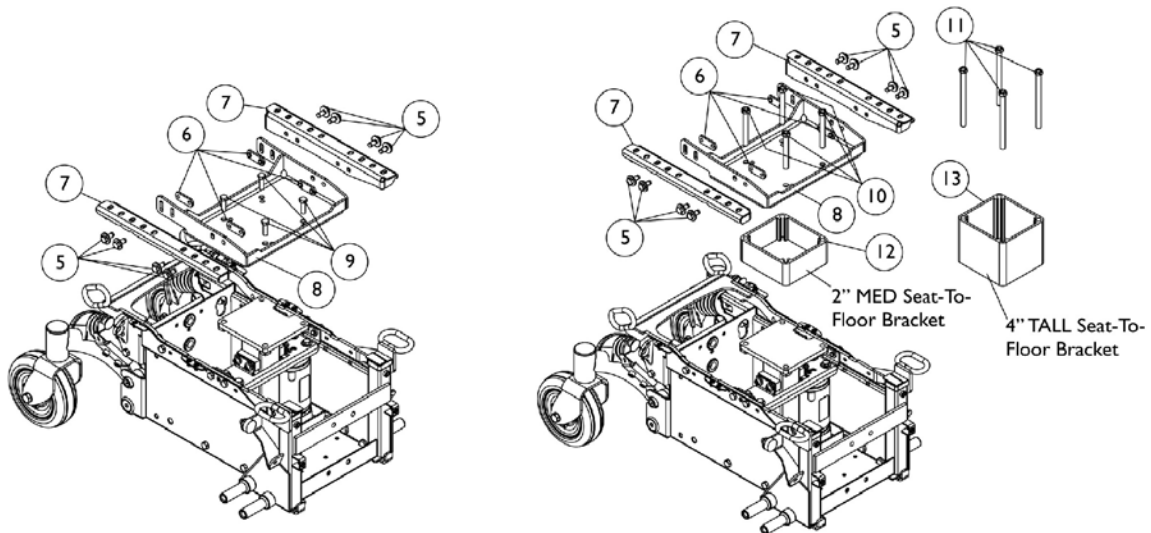
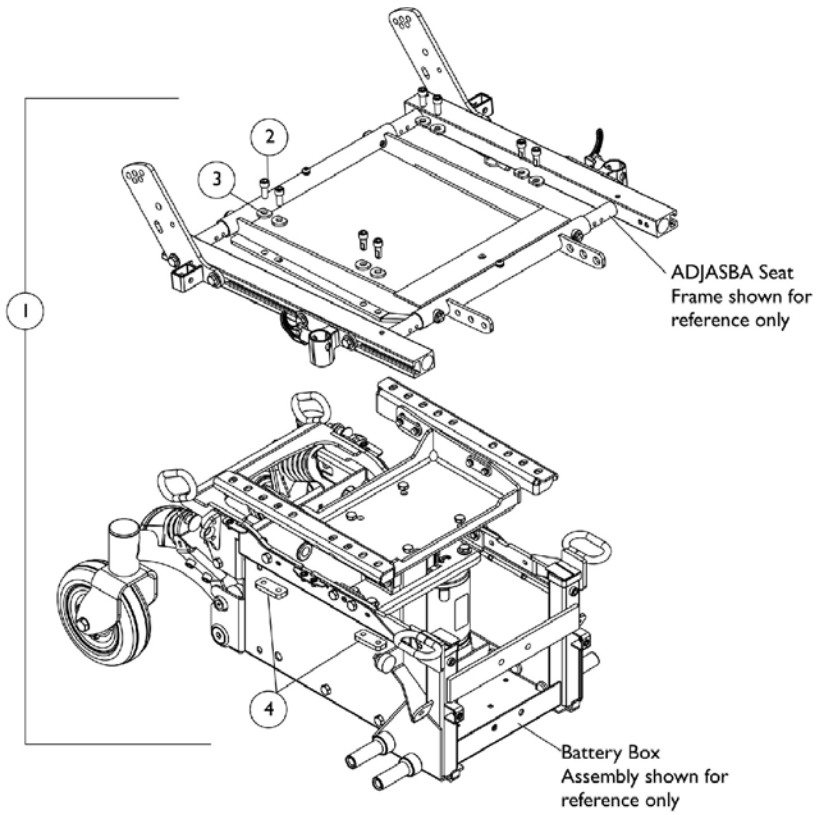
ADJASBA/ADJRECL Seat Frame Mounting Hardware (16"-20" Wide) Non-Elevate TDX SC



ADJASBA/ADJRECL Seat Frame Mounting Hardware (16"-20" Wide) Non-Elevate TDX SC

Item Number	Note	Part Number	Description	Quantity Per	
				Package	Assembly
1	A	1147961	Kit, Seat Frame Mounting Hardware 16"-20" Wide	1	1
2		1104845	Screw, Socket Head Cap with Patch (5/16-18 x 1-3/4")	1	6
3		1137230	Washer, Ground (11/32 x 13/16 x 1/8")	1	6
4		1113341	Nut, Strap	1	2
5		1026158	Locknut (5/16-18)	1	2
NOTE: A - Includes items 2-5 and used for ADJASBA/ADJRECL Non-Elevate TDX SC models					

ADJASBA Seat Frame Mounting Hardware (16"-20" Wide) Elevate TDX SC



LOW Seat To Floor Hardware

MED and TALL Seat To Floor Hardware

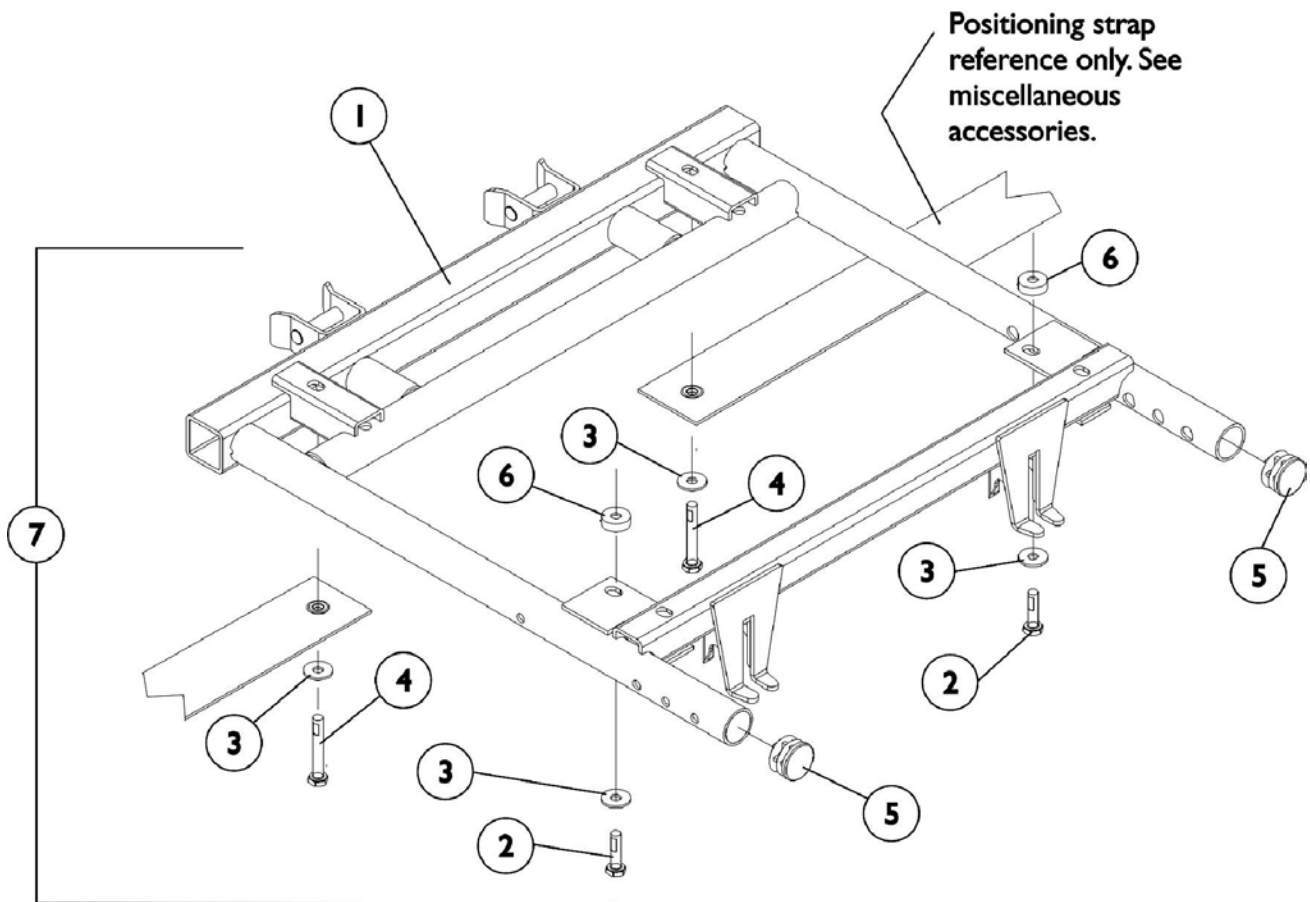
ADJASBA Seat Frame Mounting Hardware (16"-20" Wide) Elevate TDX SC

Item Number	Note	Part Number	Description	Quantity Per	
				Package	Assembly
1	A	1144686	Kit, Seat Frame Mounting Hardware	1	1
2		1086944	Screw, Socket Head Cap (5/16-18 x 3/4")	1	8
3		1137230	Washer, Ground (11/32 x 13/16 x 1/8")	1	8
4		1137229	Plate, Nut (5/16-18)	1	4
5	B	1154118	Kit, Mounting Plate Hardware	1	1
6		1142304	Screw, Hex Head SEMS w/ Patch (5/16-18 x 3/4")	1	8
7		1121721	Nut, Weld (5/16-18 x 1-1/8" Spacing)	1	4
8		1121710	Mounting Plate, Elevate Seat - Right	1	1
8		1121711	Mounting Plate, Elevate Seat - Left	1	1
9		1147098	Bracket, Seat Mounting (Elevate)	1	1
10	C	1065939	Screw, Hex Head (3/8-16 x 1")	1	4
11	D	1151872	Screw, Hex Head (3/8-16 x 3")	1	4
12	E	1151873	Screw, Hex Head (3/8-16 x 5")	1	4
13		1151870	Bracket, 2" Seat-To-Floor	1	1
14		1151871	Bracket, 4" Seat-To-Floor	1	1

NOTE: A - Includes items 2-4
 B - Includes items 6 and 7
 C - Item 10 used for Low Seat-To-Floor
 D - Item 11 used for Med Seat-To-Floor
 E - Item 12 used for Tall Seat-To-Floor

Van Seat Frame and Hardware

TDX SC

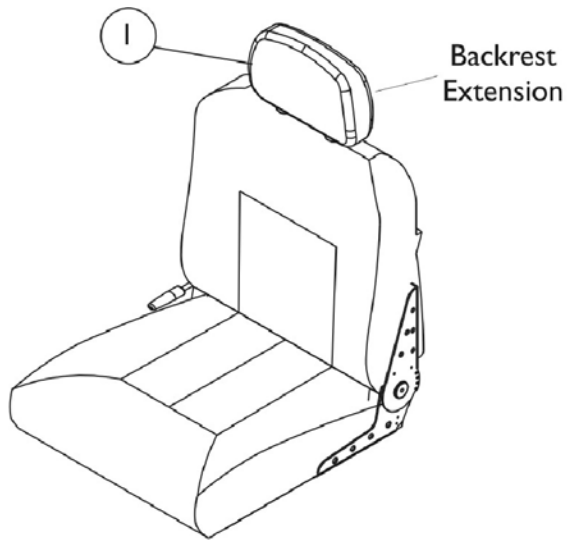


Van Seat Frame and Hardware TDX SC

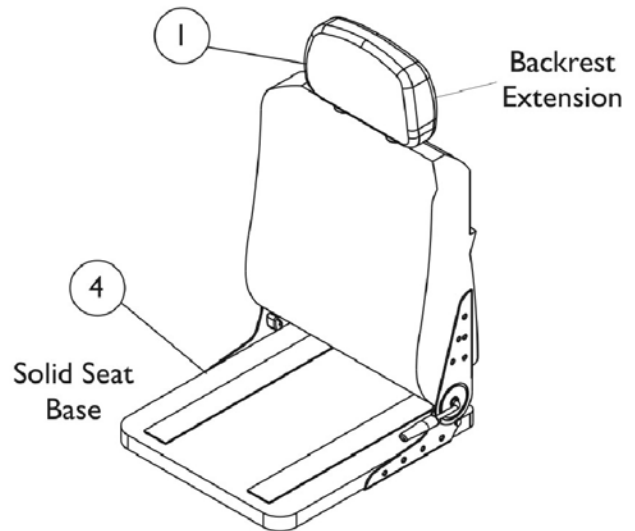
Item Number	Note	Part Number	Description	Quantity Per	
				Package	Assembly
1		1123423	Frame, Van Seat -16" Wide	1	1
1		1115343	Frame, Van Seat -18" Wide	1	1
1		1115344	Frame, Van Seat -20" Wide	1	1
1		1115345	Frame, Van Seat -22" Wide	1	1
2		1088897	Screw, Hex Head (1/4-20 x 1-1/4")	1	2
3		1026900	Washer (1/4 x 23/32 x 1/16")	1	2
4		1052957	Screw, Hex Head (1/4-20 x 2")	1	2
5		1029501	Plug Button, Black (1")	1	2
6		1108410	Spacer (1/4 x 5/8 x 1/4")	1	2
7	A	1116421	Hardware, Van Seat Mounting	1	1

NOTE: A - Includes items 2-6

Van Seat Assembly TDX SC



**#2 Van Seat
Semi Recline**



**#3 Van Seat
Semi Recline
w/ Solid Seat Base**

Van Seat Assembly TDX SC

Item Number	Note	Part Number	Description	Quantity Per	
				Package	Assembly
1		1106969	Backrest Extension, Van Seat - Grey Fabric	1	1
1		1108408	Backrest Extension, Van Seat - Grey Vinyl	1	1
1		1106968	Backrest Extension, Van Seat - Tan Vinyl	1	1
2		See Chart	#2 Van Seat (Semi-Recline) Assembly	1	1
3		See Chart	#3 Van Seat (Semi-Recline) w/ Solid Seat Base Assembly	1	1
4	A	1123384	Solid Seat Base, Van Seat - 16" Wide (Grey Vinyl)	1	1
4	A	1123385	Solid Seat Base, Van Seat - 18" Wide (Grey Vinyl)	1	1
4	A	1123386	Solid Seat Base, Van Seat - 20" Wide (Grey Vinyl)	1	1
4	A	1123387	Solid Seat Base, Van Seat - 22" Wide (Grey Vinyl)	1	1

NOTE: A - Solid Seat Base is the only item available for service parts with regard to the Van Seats. Seat Hinges are not sold separately.

#2 Van Seat (Semi-Recline) Assembly

Upholstery Type	Van Seat with Backrest 16" Wide	Van Seat with Backrest 18" Wide	Van Seat with Backrest 20" Wide	Van Seat with Backrest 22" Wide
All Grey Fabric	1123424	1109254	1109255	1109256
All Grey Vinyl	1123426	1109242	1109243	1109244
All Tan Vinyl	1123425	1109248	1109249	1109250

NOTE: Semi-recline Van Seat reclines approximately 90-114 degrees. Adjustable depths are (16, 17, 18" deep for 16 & 18" wide seats) and (18, 19, 20" deep for 20 & 22" wide seats). Recline release levers are standard on the right side. Left side release levers can be ordered as a special with a new van seat.

Van Seat Assembly

TDX SC

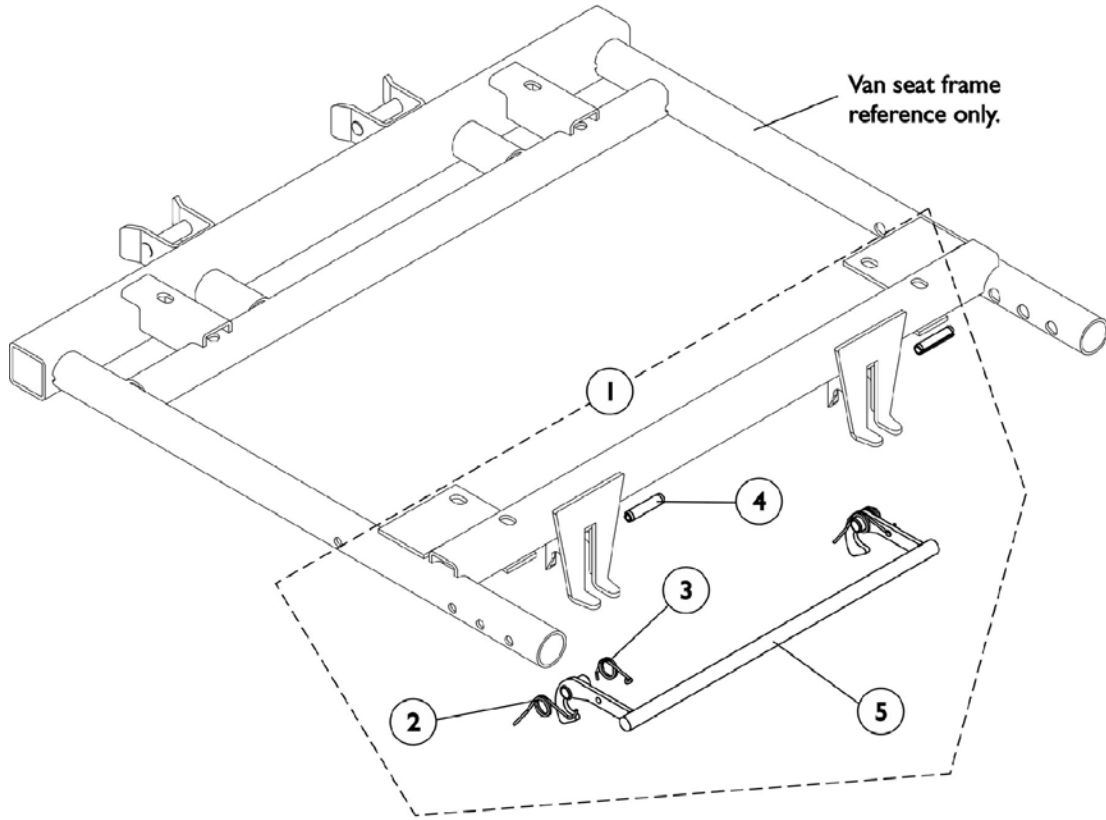
#3 Van Seat (Semi-Recline) w/ Solid Seat Base Assembly

Upholstery Type	Van Seat w/ Solid Seat and Backrest 16" Wide	Van Seat w/ Solid Seat and Backrest 18" Wide	Van Seat w/ Solid Seat and Backrest 20" Wide	Van Seat w/ Solid Seat and Backrest 22" Wide
All Grey Fabric	N/A	N/A	N/A	N/A
All Grey Vinyl	1123429	1123428	1123427	1123430
All Tan Vinyl	N/A	N/A	N/A	N/A

NOTE: Semi-recline Van Seat reclines approximately 90-114 degrees. Adjustable depths are (16, 17, 18" deep for 16 & 18" wide seats) and (18, 19, 20" deep for 20 & 22" wide seats). Recline release levers are standard on the right side. Left side release levers can be ordered as a special with a new van seat.

Seat Release Hardware

Van Seat TDX SC

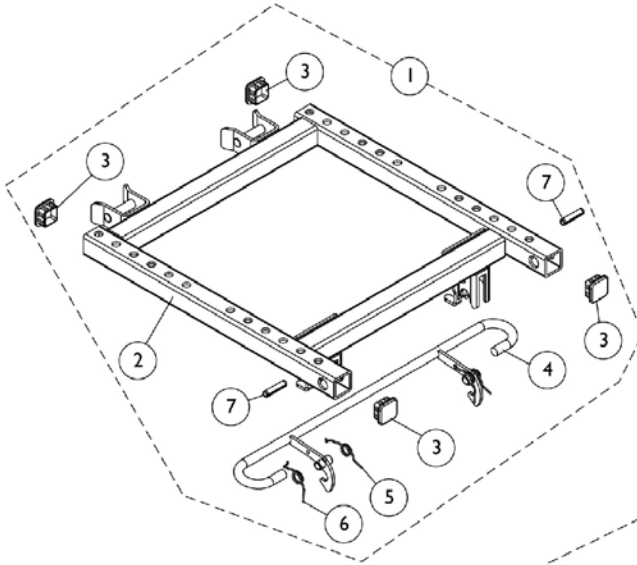


Item Number	Note	Part Number	Description	Quantity Per	
				Package	Assembly
1	A	1108068	Kit, Seat Release Hardware	1	1
2		1109219	Spring, Torsion, Right	1	1
3		1109220	Spring, Torsion, Left	1	1
4		1108239	Pin, Slotted (1/4 x 1-1/8")	1	2
5		1106476	Latch, Seat	1	1

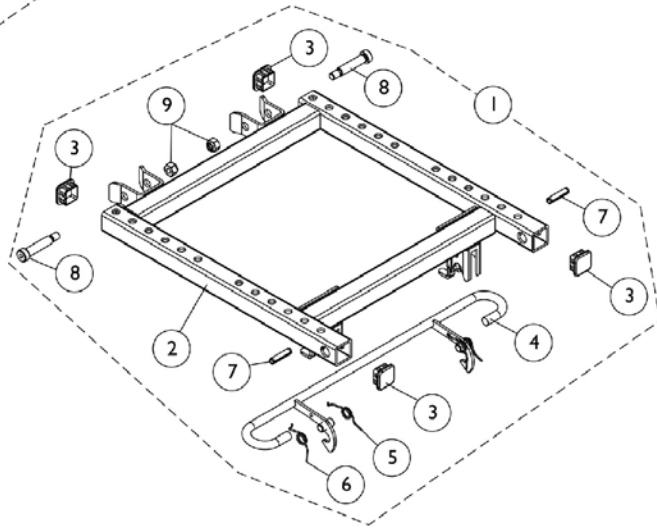
NOTE: A - Includes items 2-5

Seat Release Hardware and Adapter Frame

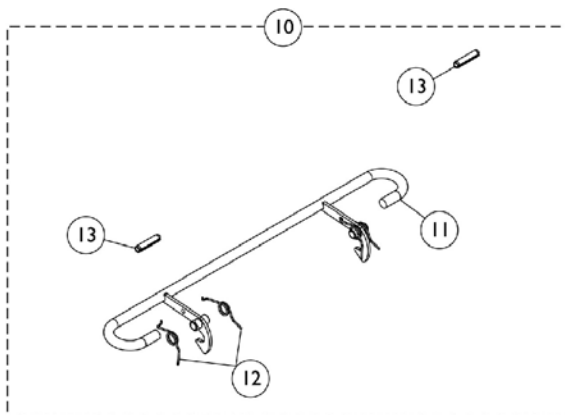
ADJASBA/ADJRECL Seat Frame TDX SC



**Seat Frame Adapter with
Seat Release Hardware**



**Seat Frame Adapter with
Seat Release Hardware
TRBKTS/TRRO Option only**



Seat Release Hardware

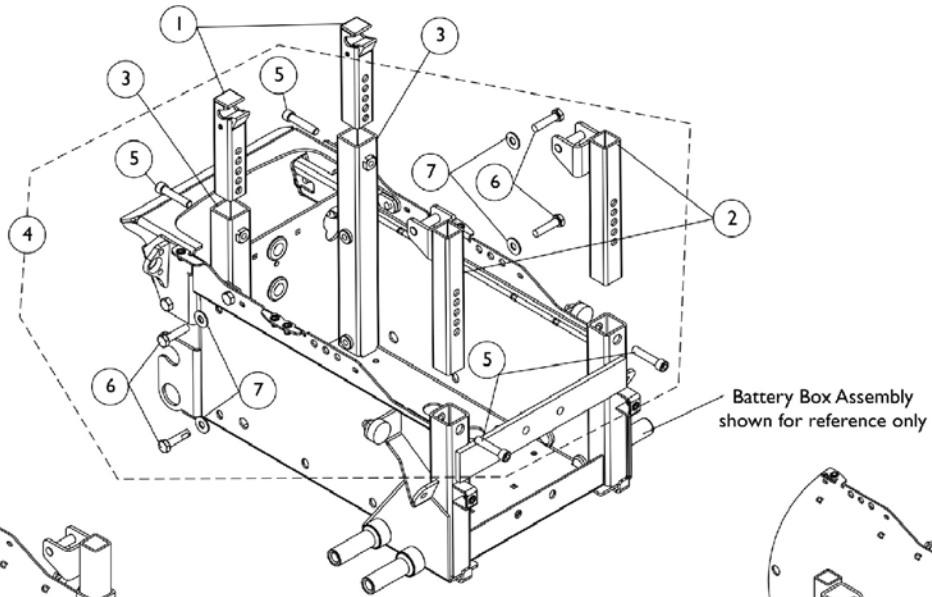
Seat Release Hardware and Adapter Frame ADJASBA/ADJRECL Seat Frame TDX SC

Item Number	Note	Part Number	Description	Quantity Per	
				Package	Assembly
1	A	1147960	Kit, Seat Frame Adapter and Release Hardware	1	1
2		1151332	Frame, ADJASBA Seat Adapter	1	1
3		1105038	Cap, Tube (1" Square)	1	4
4		1151331	Latch, Seat	1	1
5		1109219	Spring, Torsion, Right	1	2
6		1109220	Spring, Torsion, Left	1	2
7		1108239	Pin, Slotted (1/4 x 1-1/8")	1	2
1	B	1147982	Kit, Seat Frame Adapter and Release Hardware - TRBKTS/TRRO Option Only	1	1
2		1147980	Frame, ADJASBA Seat Adapter	1	1
3		1105038	Cap, Tube (1" Square)	1	4
4		1151331	Latch, Seat	1	1
5		1109219	Spring, Torsion, Right	1	1
6		1109220	Spring, Torsion, Left	1	1
7		1108239	Pin, Slotted (1/4 x 1-1/8")	1	2
8		1031665	Screw, Socket Head Shoulder (3/8 x 1-1/2")	1	2
9		1026158	Locknut (5/16-18)	1	2
10		1154109	Kit, Seat Release Hardware	1	1
11		1151331	Latch, Seat	1	1
12		1109219	Spring, Torsion, Right	1	1
13		1109220	Spring, Torsion, Left	1	1
14		1108239	Pin, Slotted (1/4 x 1-1/8")	1	2

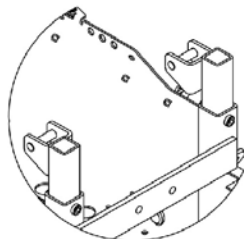
NOTE: A - Includes items 2-7 and used for NON-TRBKTS/TRRO option chairs
B - Includes items 2-9 and used for TRBKTS/TRRO option chairs only

Seat Height Adjustment Slide Tubes and Mounting Hardware

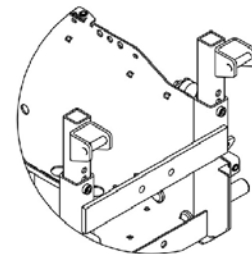
TDX SC Non-Elevate



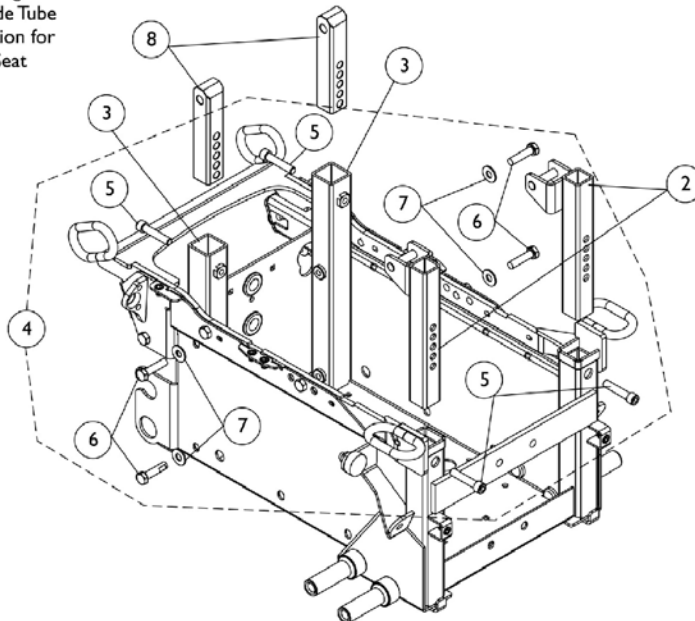
Seat Height Adjustment Slide Tube Mounting Hardware For Van Seat and (ADJASBA Seat without TRRO/TRBKTS Option)



Front Seat Height Adjustment Slide Tube Mounting Position for ADJASBA Seat



Front Seat Height Adjustment Slide Tube Mounting Position for Van Seat



Seat Height Adjustment Slide Tube Mounting Hardware For ADJASBA Seat with TRRO/TRBKTS Option

Seat Height Adjustment Slide Tubes and Mounting Hardware

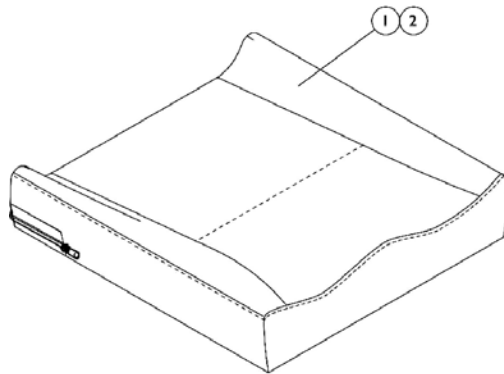
TDX SC Non-Elevate

Item Number	Note	Part Number	Description	Quantity Per	
				Package	Assembly
1		1152529	Slide Tube, Seat Height Adjustment - Rear	1	2
2		1151333	Slide Tube, Seat Height Adjustment - Right	1	1
2		1151334	Slide Tube, Seat Height Adjustment - Left	1	1
3		1149556	Tube, Rear Upright - Right	1	1
3		1149557	Tube, Rear Upright - Left	1	1
4	A	1154114	Kit, Seat Height Adjustment Slide Tube Mounting Hardware	1	1
5		1147627	Screw, Socket Head Cap with Patch (5/16-18 x 1-1/2")	1	4
6		1043629	Screw, Hex Head Cap with Patch (5/16-18 x 1-1/4")	1	4
7		1074133	Washer (5/16 x 3/4 x 1/16")	1	4
8		1151907	Slide Tube, Seat Height Adjustment TRRO/TRBKTS - Rear	1	2

NOTE: A - Includes items 5-7

Seat Cushion Assembly

ADJASBA Only



#1 Contoura Seat Cushion Assembly

Chair Width	16" Deep	17" Deep	18" Deep	19" Deep	20" Deep
16" W	1132982 See Note(s) A	1132983 See Note(s) A	1132984 See Note(s) A	1132985 See Note(s) A	1132986 See Note(s) A
18" W	1132987 See Note(s) A	1132988 See Note(s) A	1132989 See Note(s) A	1132990 See Note(s) A	1132991 See Note(s) A
20" W	1132992 See Note(s) A	1132993 See Note(s) A	1132994 See Note(s) A	1132995 See Note(s) A	1132996 See Note(s) A

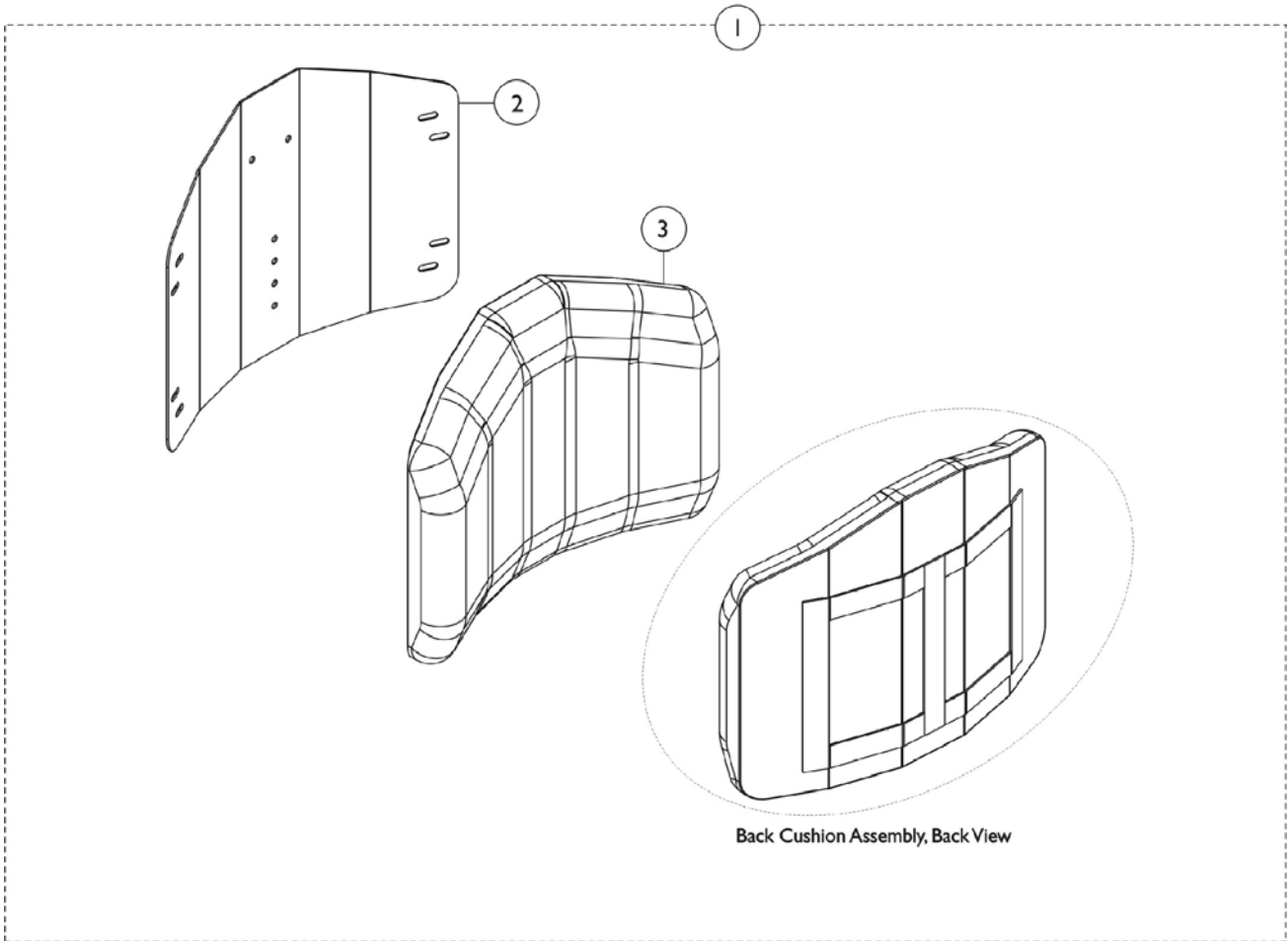
NOTE: A - Cushion Foam is not available separately.

#2 Contoura Seat Cushion Cover

Chair Width	16" Deep	17" Deep	18" Deep	19" Deep	20" Deep
16" W	1132953	1132954	1132955	1132956	1132957
18" W	1132958	1132959	1132960	1132961	1132962
20" W	1132963	1132964	1132965	1132966	1132967

Conventional Back without Mounting Hardware (12"-15" Wide) - TDX SPREE

NOTE: Hook Fastener Adhesive Kit must be ordered when a Back Pan is requested. This will allow the Loop Fastener Adhesive on the Back Cover to attach properly.



Back Cushion Assembly, Back View

Conventional Back without Mounting Hardware (12"-15" Wide) - TDX SPREE

NOTE: Hook Fastener Adhesive Kit must be ordered when a Back Pan is requested. This will allow the Loop Fastener Adhesive on the Back Cover to attach properly.

#1 Back Assembly without Hardware

Overall Back Height	Material Back Height	12" Wide	13" Wide	14" Wide	15" Wide
16"	12"	1146269	1146274	1146279	1146284
17"	13"	1146270	1146275	1146280	1146285
18"	14"	1146271	1146276	1146281	1146286
19"	15"	1146272	1146277	1146282	1146287
20"	16"	1146273	1146278	1146283	1146288

#2 Back Pan without Hook Fastener Adhesive

Overall Back Height	Material Back Height	12" Wide	13" Wide	14" Wide	15" Wide
16"	12"	1148739	1148744	1148749	1148754
17"	13"	1148740	1148745	1148750	1148755
18"	14"	1148741	1148746	1148751	1148756
19"	15"	1148742	1148747	1148752	1148757
20"	16"	1148743	1148748	1148753	1148758

Conventional Back without Mounting Hardware (12"-15" Wide) - TDX SPREE

NOTE: Hook Fastener Adhesive Kit must be ordered when a Back Pan is requested. This will allow the Loop Fastener Adhesive on the Back Cover to attach properly.

#3 Back Cushion Assembly with Hook & Loop Fastener Adhesive

Overall Back Height	Material Back Height	12" Wide	13" Wide	14" Wide	15" Wide
16"	12"	1148759	1148764	1148769	1148774
17"	13"	1148760	1148765	1148770	1148775
18"	14"	1148761	1148766	1148771	1148776
19"	15"	1148762	1148767	1148772	1148777
20"	16"	1148763	1148768	1148773	1148778

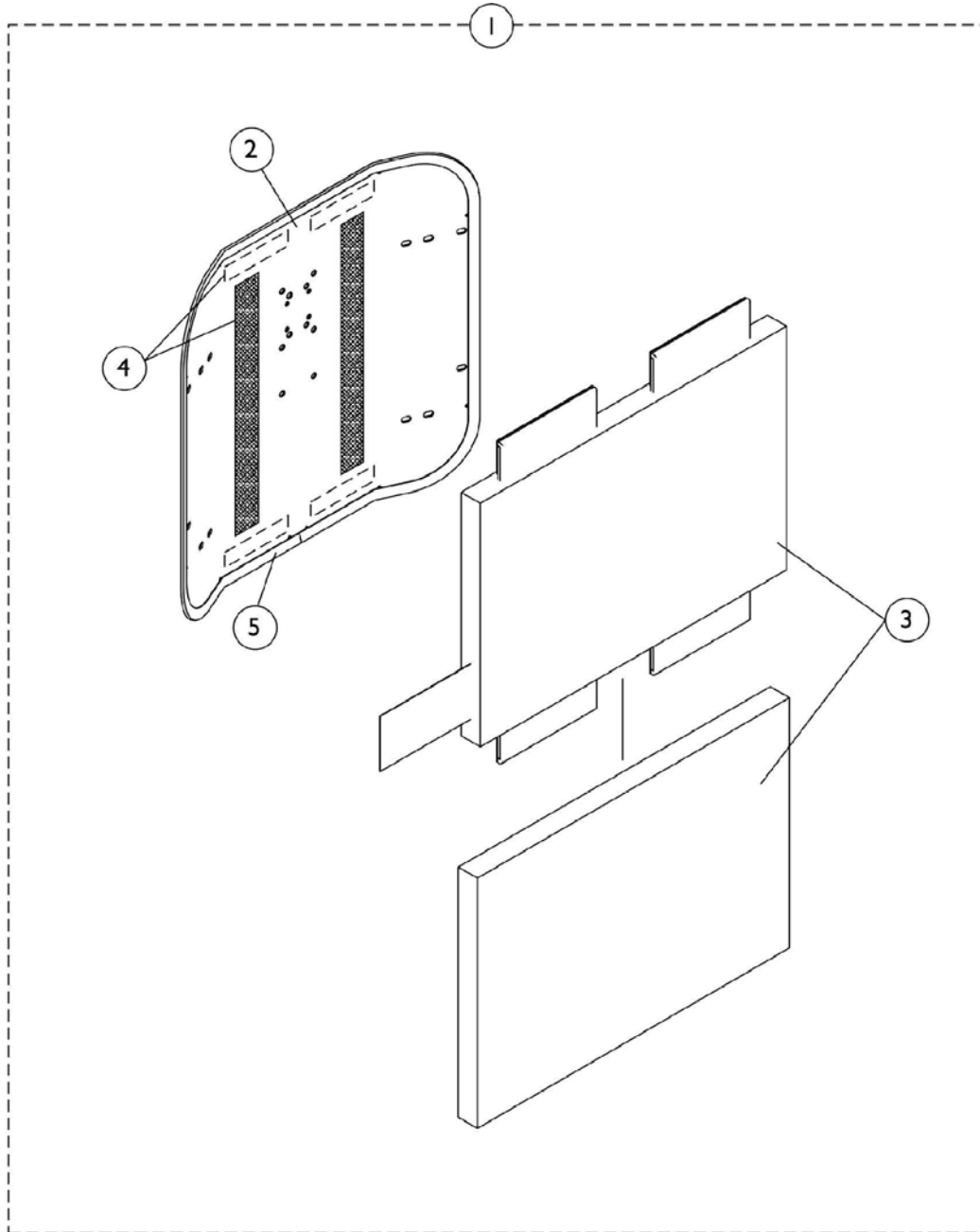
NOTE: Back Cover and Foam are sold as a Back Cushion Assembly only.

Item Number	Note	Part Number	Description	Quantity Per	
				Package	Assembly
1		See Chart	#1 Back Assembly without Hardware	1	1
2		See Chart	#2 Back Pan without Hook Fastener Adhesive	1	1
3		See Chart	#3 Back Cushion Assembly with Hook & Loop Fastener Adhesive	1	1
5	A	1125723	Kit, Hook Fastener w/ Adhesive Back	1	1

NOTE: A - Hook Fastener Adhesive kit is used for 12"-15" wide Conventional Backs to attach the Back Cover to the Back Pan and must be ordered when a new Back Pan is requested.

Conventional Back without Mounting Hardware (16" Wide) Non-Manual Tilt - TDX SPREE

Only the Back Assembly needs to be replaced when changing back heights.
NOTE: Hook Fastener w/ Adhesive Back Kit must be ordered when a Back Pan or Back Assembly is requested. This will allow the Loop Fastener w/ Adhesive on the Back Cover to attach properly.



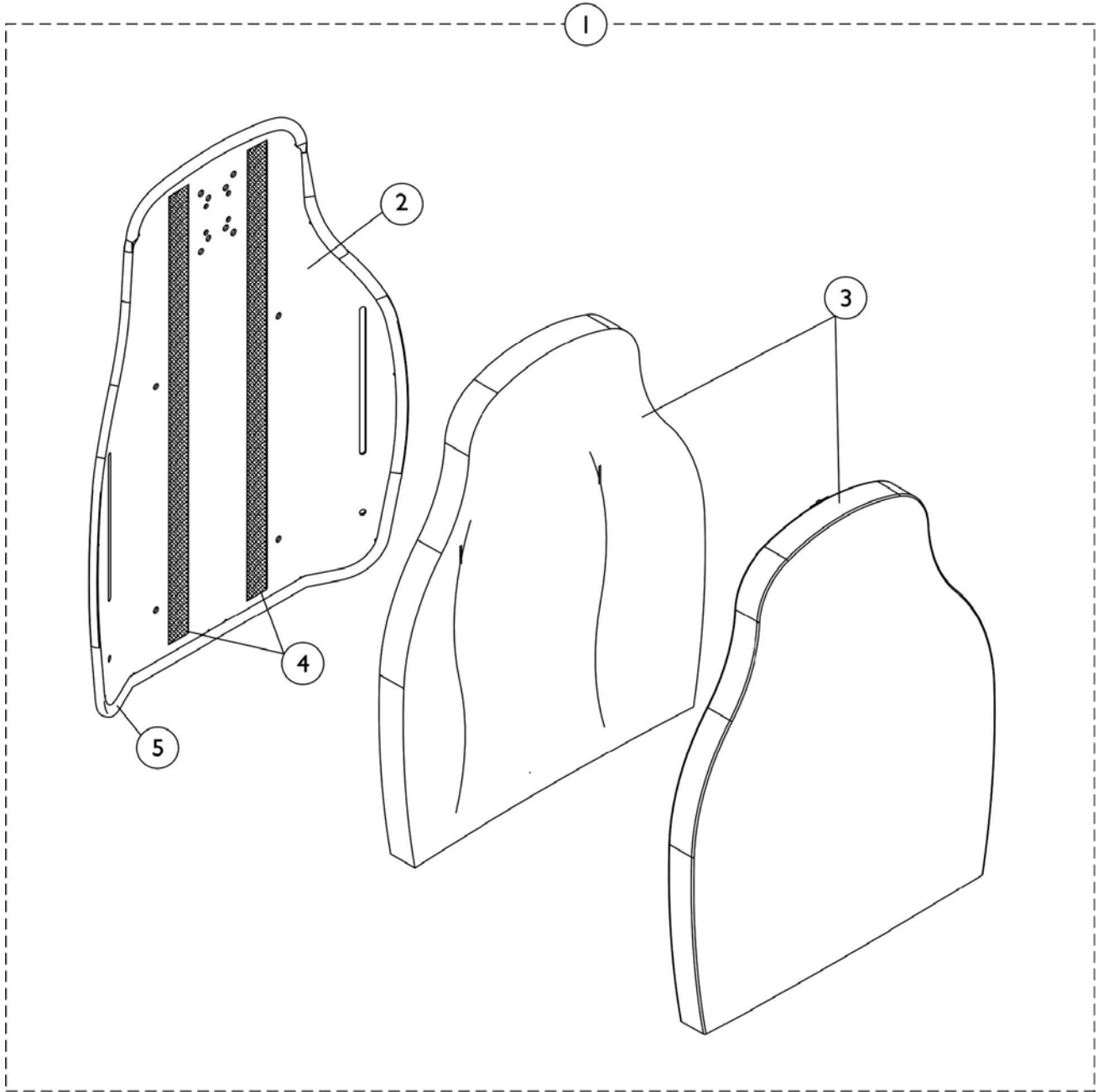
Conventional Back without Mounting Hardware (16" Wide) Non-Manual Tilt - TDX SPREE

Only the Back Assembly needs to be replaced when changing back heights.

NOTE: Hook Fastener w/ Adhesive Back Kit must be ordered when a Back Pan or Back Assembly is requested. This will allow the Loop Fastener w/ Adhesive on the Back Cover to attach properly.

Item Number	Note	Part Number	Description	Quantity Per	
				Package	Assembly
1	A	1125564	Back Assembly w/o Hardware (16" Wide x 15" High)	1	1
2	A	1124578	Back Pan (16" Wide x 15" High)	1	1
3	B	1097397	Back Cushion Assembly (17" Wide x 15" High)	1	1
4	C	1125723	Kit, Hook Fastener w/ Adhesive Back	1	1
5		1125724	Edge Trim, Vinyl Black (96" Long) Cut-To-Length	1	1
<p>NOTE: A - Description reflects materials actual width x height. Item is used for a 16" wide chair with an overall back height of 20"</p> <p>B - Back cover and foam are sold as a back cushion assembly only. Description reflects actual back cushion material width x Height. Back Cushion will be 1" wider than the chair width and used for a chairs overall back height of 20".</p> <p>C - Hook Fastener w/ Adhesive Back Kit is used to attach the Back Cover to the Back Pan and must be ordered when a new Back Pan or Back Assembly is requested.</p>					

Contoura Back without Mounting Hardware TDX SC



Contoura Back without Mounting Hardware TDX SC

#1 Back Assembly without Hardware 16", 18", 20" Wide

Overall Back Height	Material Back Height	16" Wide	18" Wide	20" Wide
25"	20"	1132828	1132829	1132830
29"	24"	1132825	1124733	1124734

#2 Back Pan with Vinyl Edge Trim 16", 18", 20" Wide

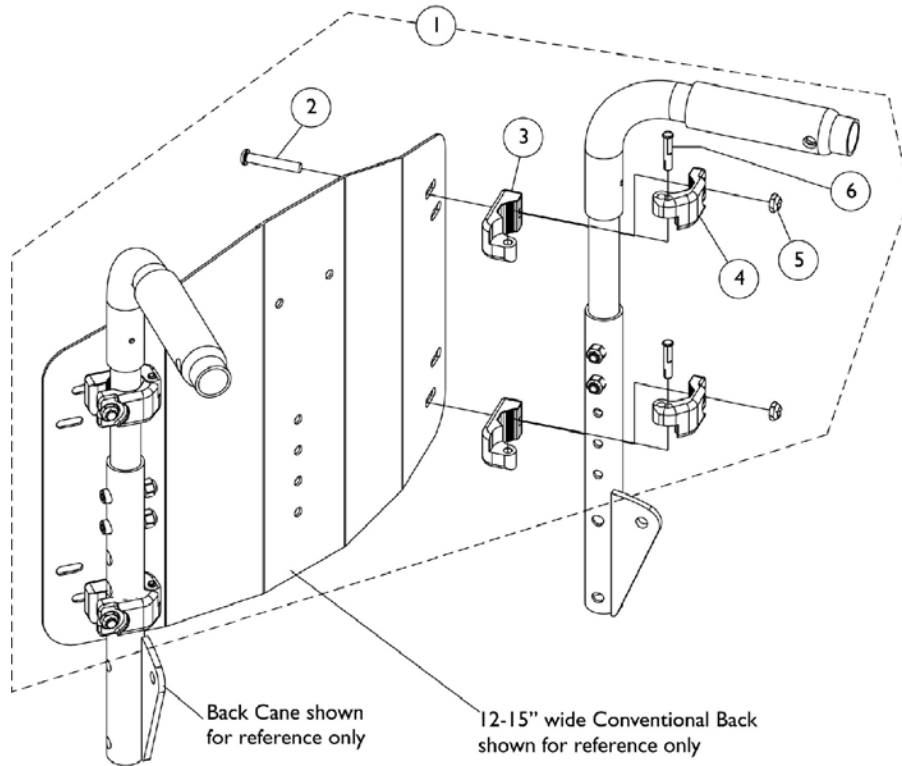
Overall Back Height	Material Back Height	16" Wide	18" Wide	20" Wide
25"	20"	1131405	1131406	1131407
29"	24"	1131410	1122454	1122453

#3 Back Cushion Assembly 16", 18", 20" Wide

Overall Back Height	Material Back Height	16" Wide	18" Wide	20" Wide
25"	20"	1132820	1132821	1132822
29"	24"	1132817	1125641	1125642

Item Number	Note	Part Number	Description	Quantity Per	
				Package	Assembly
1		See Chart	#1 Back Assembly without Hardware 16", 18", 20" Wide	1	1
2		See Chart	#2 Back Pan with Vinyl Edge Trim 16", 18", 20" Wide	1	1
3		See Chart	#3 Back Cushion Assembly 16", 18", 20" Wide	1	1
4		1125725	Hook Fastener w/ Adhesive Back (1" Wide x 48" Long)	1	1
5		1125724	Edge Trim, Vinyl Black (96" Long) Cut-To-Length	1	1

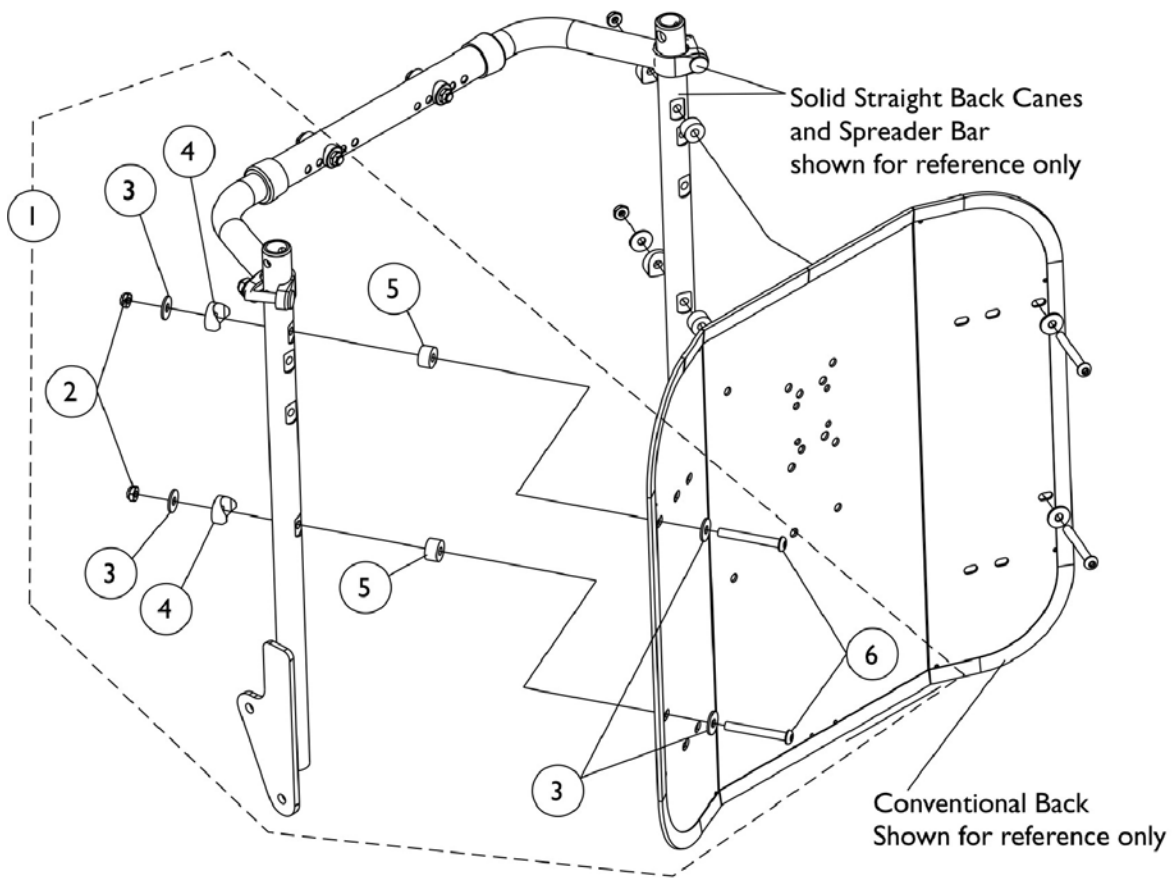
Conventional Back Mounting Hardware (12"-15" Wide) - TDX SPREE



Item Number	Note	Part Number	Description	Quantity Per	
				Package	Assembly
1	A	1148440	Kit, Conventional Back Mounting Hardware (12"-15" Wide)	1	1
2		1008495	Screw, Socket Button Head (1/4-20 x 1-1/2")	1	4
3		1113408	Clamp, Inner	1	4
4		1113407	Clamp, Outer	1	4
5		1025195	Locknut (1/4-20)	1	4
6		1113406	Pin, Hinge	1	4

NOTE: A - Includes items 2-6

Conventional Back Mounting Hardware (16" Wide) TDX SPREE Non-Manual Tilt

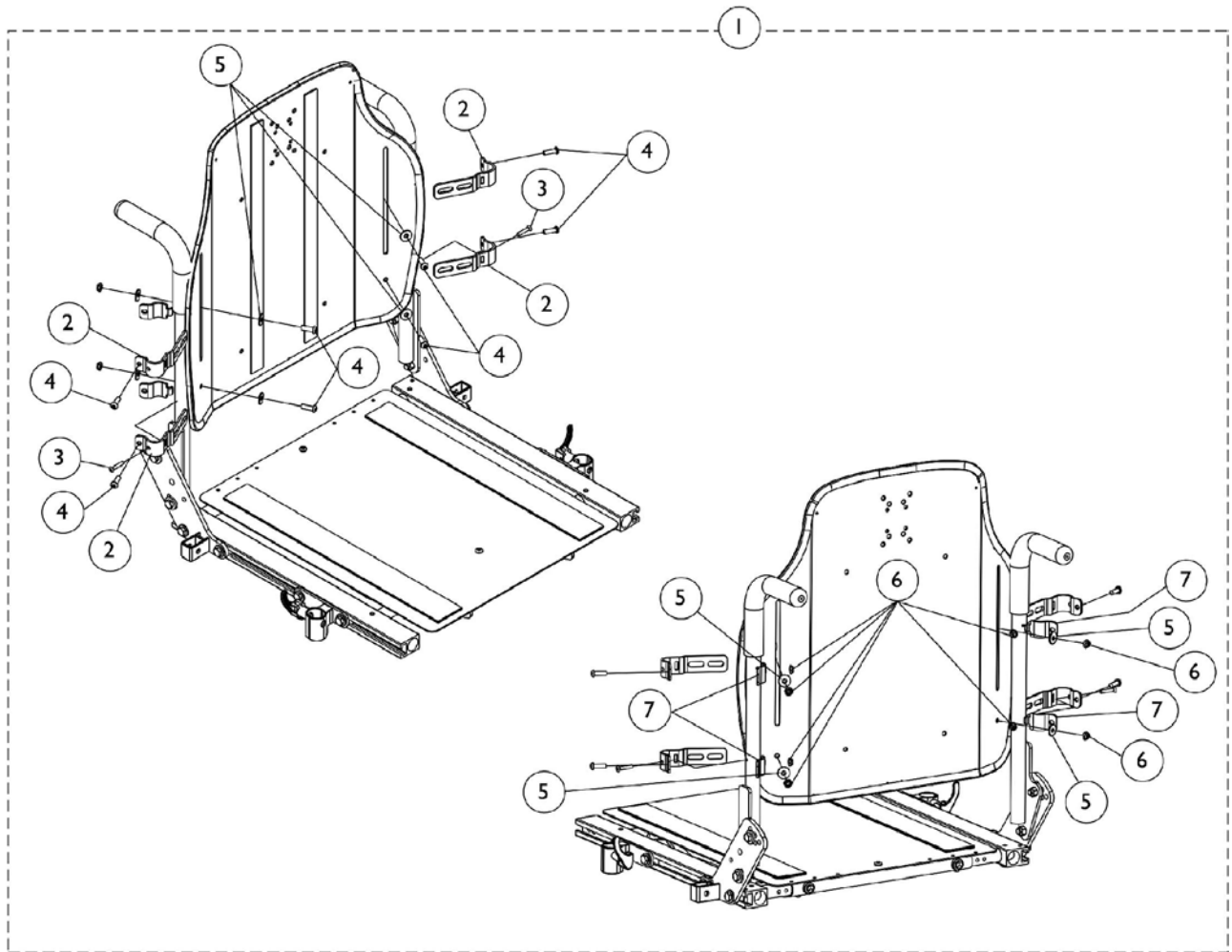


Conventional Back Mounting Hardware (16" Wide) TDX SPREE Non-Manual Tilt

Item Number	Note	Part Number	Description	Quantity Per	
				Package	Assembly
1	A	1125757	Kit, Back Mounting Hardware For Conventional Tilt	1	1
2		1025195	Locknut (1/4-20)	1	4
3		1026900	Washer (1/4 x 23/32 x 1/16")	1	8
4		40157X019	Spacer, Coved (1/4 x 7/8 x 7/16")	1	4
5		1108411	Spacer (1/4 x 5/8 x 3/8")	1	4
6		1002108	Screw, Socket Button Head (1/4-20 x 2")	1	4

NOTE: A - Includes items 2-6

Contoura Back Mounting Hardware TDX SC



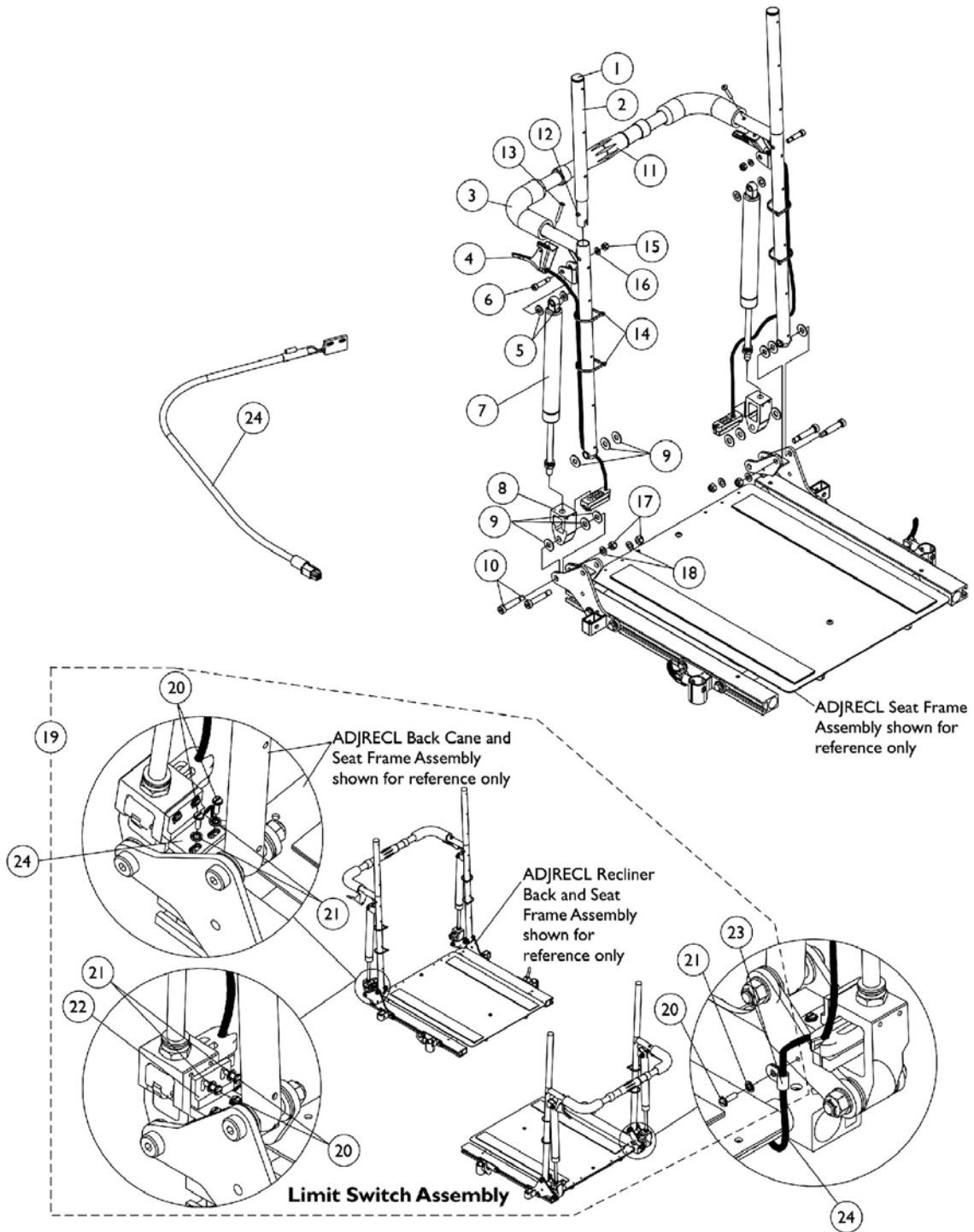
Contoura Back Mounting Hardware TDX SC

Item Number	Note	Part Number	Description	Quantity Per	
				Package	Assembly
1	A	1140945	Kit, Contoura Back Mounting Hdwr. - Round Canes	1	1
2		1136838	Bracket, Back Mounting, Black - Front	1	4
3		1025706	Screw, Phillips Oval Head Countersunk (#10-16 x 7/8")	1	2
4		1009838	Screw, Socket Head (1/4-20 x 3/4")	1	8
5		1026900	Washer (1/4 x 23/32 x 1/16")	1	8
6		1025195	Locknut (1/4-20)	1	8
7		1136839	Bracket, Back Mounting, Black - Rear	1	4

NOTE: A - Includes items 2-7

Recliner Back Assembly

For ADJRECL Seat Frames - TDX SC



Recliner Back Assembly
For ADJRECL Seat Frames - TDX SC
#3 Back Cane with Grip

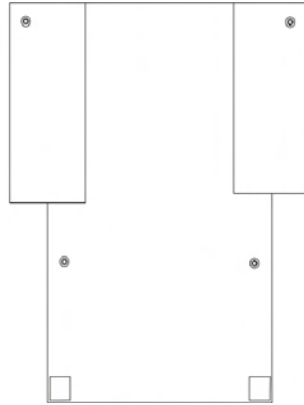
Back Height	16"-17" Wide Rt.	16"-17" Wide Lt.	18"-20" Wide Rt.	18"-20" Wide Lt.
18" H	1052079	1052080	1052089	1052090
20" H	1052081	1052082	1052091	1052092
22" H	1052083	1052084	1052093	1052094
24" H	1052085	1052086	1052095	1052096
26" H	1052087	1052088	1052097	1052098

Recliner Back Assembly For ADJRECL Seat Frames - TDX SC

Item Number	Note	Part Number	Description	Quantity Per	
				Package	Assembly
1		1027095	Plug Button, Black (7/8")	1	2
2		1052997	Tube, Headrest with Plug Button, without Snap Buttons - Right	1	1
2		1052998	Tube, Headrest with Plug Button, without Snap Buttons - Left	1	1
3		See Chart	#3 Back Cane with Grip	1	1
4	B	1050214	Cable with Trigger	1	2
4	C	1050215	Cable with Trigger	1	2
4	D	1050216	Cable with Trigger	1	2
5		1026032	Washer, Nylon (11/32 x 11/16 x 1/16")	1	4
6		1050153	Screw, Socket Head Shoulder (5/16 x 7/8")	1	2
7	E	1050154	Lock Cylinder, Recline	1	2
7	F	1050306	Lock Cylinder	1	2
8		1050136	Pivot Block	1	2
9		1012371	Washer, Nylon (3/8 x 7/8 x 1/16")	1	12
10		1031665	Screw, Socket Head Shoulder (3/8 x 1-1/2")	1	4
11	G	1050293	Bar, Spreader, Black (14-20")	1	1
11	H	1050294	Bar, Spreader, Black (21-24")	1	1
12		1024713	Spring, Torsion w/ Button	1	2
13		1091417	Screw, Phillips Pan Head (#10-24 x 1-1/4")	1	2
14		1095503	Package, Cable Ties (5-5/8" Long)	10	1
15		1025736	Locknut (1/4-20)	1	2
16		1026907	Washer (1/4 x 1/2 x 1/16")	1	2
17		1026158	Locknut (5/16-18)	1	4
18		1025704	Washer, Flat (5/16 x 5/8 x 1/16")	1	4
19	A	1134498	Kit, Limit Switch Assembly	1	1
20		1025116	Screw, Slotted Hex Head (#4-3/8")	1	5
21		1008525	Washer, Internal Tooth Lock (#4-40)	1	5
22		1024001	Sensor, Actuator Switch	1	1
23		1050310	Clamp, Cable	1	1
24		1146573	Cable, Drive Lockout Sensor (MK6i)	1	1

NOTE: A - Includes items 20-23. Cable sensor is not included, see item 24
 B - 26" high back canes
 C - 22-24" high back canes
 D - 18-20" high back canes
 E - 250 lb. weight limit
 F - 251-400 lb. weight limit
 G - 16-17" wide
 H - 18-20" wide

Back Upholstery - Nylon



Single Liners

Width	12"-13" High	14"-15" High	16"-17" High	18"-19" High	20" High	21"-22" High	23"-24" High
12" W	1045221	1045222	1045257	1045258	N/A	N/A	N/A
13" W	1045223	1045224	1045259	1045260	N/A	N/A	N/A
14" W	1049939	1049942	1045173	1045205	1068945	N/A	N/A
15" W	1049940	1049943	1045174	1045206	1068946	N/A	N/A
16" W	1049941	1045175	8881045175	1045207	1068947	1045159	1054529
17" W	N/A	1049945	1045176	1045208	1068948	1045160	1054530
18" W	N/A	1049946	1045177	1045209	1068949	1045161	1054531

Back Upholstery - Nylon

Dual Liners

Width	16"-17" High	18" - 19" High	20" High	21" - 22" High	23" - 24" High
14" W	1045178	1045210	1068950	N/A	N/A
15" W	1045179	1045211	1068951	N/A	N/A
16" W	1045180	1045212	1068952	1045164	1054534
17" W	1045181	1045213	1068953	1045165	1054535
18" W	1045182	1045214	1068954	1045166	1054536
19" W	1045183	1045215	1068955	1045167	1054537
20" W	1045184	1045216	1068956	1045168	1054538

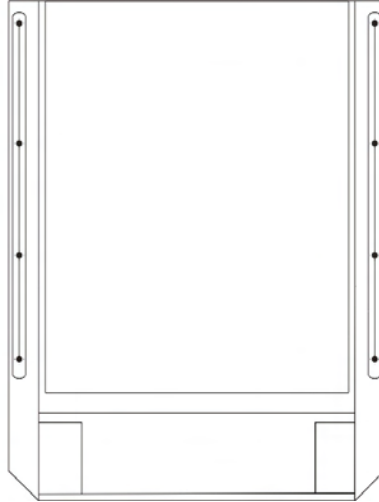
NOTE: Dual liner back upholstery is used with chairs that have a seat deeper than 17" or back wider than 18".

Back Upholstery Hardware

Item Number	Note	Part Number	Description	Quantity Per	
				Package	Assembly
	A	1026298	Screws with Washers (#10 x 7/8")	2	1
	A	See Chart	Dual Liners - Nylon	1	1
	A	See Chart	Single Liners	1	1

NOTE: A - Not Shown

Back Upholstery - Nylon Recliner - TDX SC



Single Liners

Width	18" High	20" High	22" High	24" High	26" High
16" W	1050314	1050319	1050324	1050329	1050334
17" W	1050315	1050320	1050325	1050330	1050335
18" W	1050316	1050321	1050326	1050331	1050336

Dual Liners

Width	18" High	20" High	22" High	24" High	26" High
16" W	1050339	1050350	1050361	1050372	1050383
17" W	1050340	1050351	1050362	1050373	1050384
18" W	1050341	1050352	1050363	1050374	1050385
19" W	1050342	1050353	1050364	1050375	1050386
20" W	1050343	1050354	1050365	1050376	1050387

NOTE: Dual liner back upholstery is used with chairs that have a seat deeper than 17" or back wider than 18".

Back Upholstery - Nylon Recliner - TDX SC

Back Upholstery Hardware	1027059
Consists of:	
10 each	Screw with Washer (#10 x 7/8")

Headrest Upholstery and Pillows
Recliner - TDX SC
Nylon Headrest

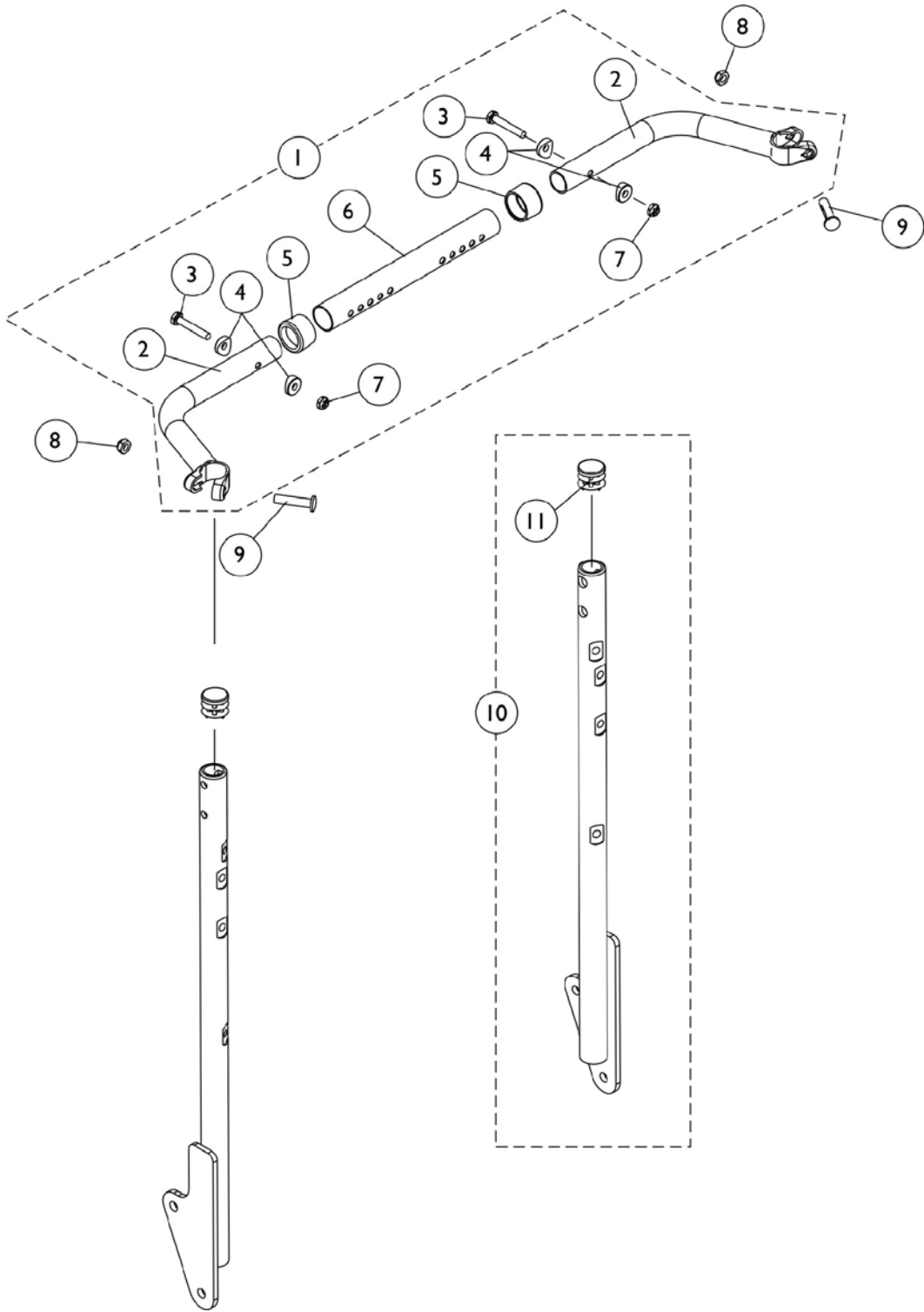
Chair Width	Part Number
16" W	1054628
17" W	1055281
18" W	1054629
19" W	1055282
20" W	1055283

Back Upholstery Hardware	1030441
Consists of:	
6 each	Screw with Washer (10 x 7/8")

Headrest Pillows - Nylon

Chair Width	16"-18" W	19"-20" W
Part Number	1054896	1054598

Back Cane and Spreader Bar (16" Wide) Conventional Back Non-Manual Tilt - TDX SPREE

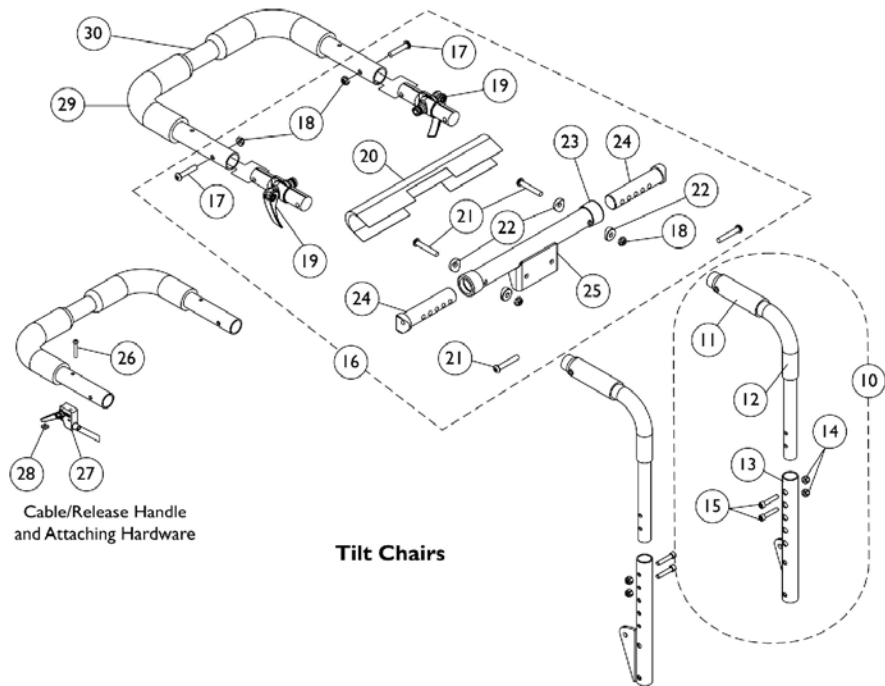
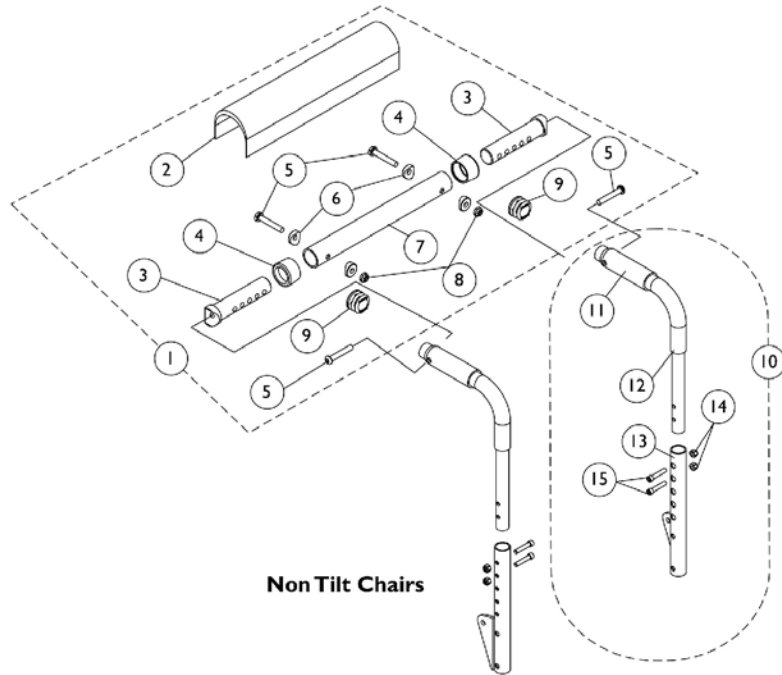


Back Cane and Spreader Bar (16" Wide) Conventional Back Non-Manual Tilt - TDX SPREE

Item Number	Note	Part Number	Description	Quantity Per	
				Package	Assembly
1	A	1125709	Kit, Spreader Bar Assembly (16"-20" Wide)	1	1
2		1120293	Handle, Spreader Bar	1	2
3		1030949	Screw, Hex Head (1/4-20 x 1-1/2")	1	2
4		1026099	Spacer, Coved (1/4 x 11/16 x 1/2")	1	4
5		15680X013	Anti-Rattle (1")	1	2
6		1120280	Tube, Spreader Bar Adjustable (16"-20" Wide)	1	1
7		1025195	Locknut (1/4-20)	1	2
8		1025730	Locknut (5/16-24)	1	2
9		1031026	Screw w/ Lug (5/16-24 x 1-3/8")	1	2
10		1128394	Kit, Back Cane w/o Push Handle, Solid Straight w/ Plug Button - Right	1	1
10		1128395	Kit, Back Cane w/o Push Handle, Solid Straight w/ Plug Button - Left	1	1
11		1134426	Package, Plug Buttons, Black (3/4")	10	1

NOTE: A - Includes items 2-7

Back Cane, Spreader Bar and Push Handle Assembly (12"-16" W) Sling Nylon Back Uph. (12"-15" W) Conv. Back - TDX SPREE



Back Cane, Spreader Bar and Push Handle Assembly (12"-16" W) Sling Nylon Back Uph. (12"-15" W) Conv. Back - TDX SPREE

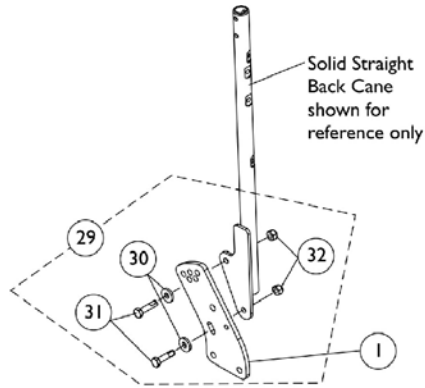
Item Number	Note	Part Number	Description	Quantity Per	
				Package	Assembly
1	A,B	1126147	Kit, Spreader Bar Assembly (12"-16" Wide)	1	1
2		1127158	Cover, Spreader Bar	1	1
3		1126138	Insert, Spreader Bar Connector	1	2
4		15680X013	Anti-Rattle (1")	1	2
5		1008495	Screw, Socket Button Head (1/4-20 x 1-1/2")	1	4
6		1026099	Spacer, Coved (1/4 x 11/16 x 1/2")	1	4
7		1127970	Tube, Spreader Bar	1	1
8		1025195	Locknut (1/4-20)	1	2
9		1029501	Plug Button, Black (1")	1	2
10	C	1152733	Kit, Back Cane Assembly with Hardware (12"-15" Back Height) - Right	1	1
11		1055398	Grip, Foam (4")	1	1
12		1126143	Handle, Push	1	1
13		1151347	Cane, Lower (12"-15" Back Height) - Right	1	1
14		1003545	Screw, Socket Head (1/4-20 x 1-1/4")	1	2
15		1025736	Locknut (1/4-20)	1	2
10	C	1152734	Kit, Back Cane Assembly with Hardware (12"-15" Back Height) - Left	1	1
11		1055398	Grip, Foam (4")	1	1
12		1126143	Handle, Push	1	1
13		1151348	Cane, Lower (12"-15" Back Height) - Left	1	1
14		1003545	Screw, Socket Head (1/4-20 x 1-1/4")	1	2
15		1025736	Locknut (1/4-20)	1	2
10	C	1152735	Kit, Back Cane Assembly with Hardware (16"-19" Back Height) - Right	1	1
11		1055398	Grip, Foam (4")	1	1
12		1126143	Handle, Push	1	1
13		1151349	Cane, Lower (16"-19" Back Height) - Right	1	1
14		1003545	Screw, Socket Head (1/4-20 x 1-1/4")	1	2
15		1025736	Locknut (1/4-20)	1	2
10	C	1152736	Kit, Back Cane Assembly with Hardware (16"-19" Back Height) - Left	1	1
11		1055398	Grip, Foam (4")	1	1
12		1126143	Handle, Push	1	1
13		1151350	Cane, Lower (16"-19" Back Height) - Left	1	1
14		1003545	Screw, Socket Head (1/4-20 x 1-1/4")	1	2
15		1025736	Locknut (1/4-20)	1	2
10	C	1152737	Kit, Back Cane Assembly with Hardware (20"-22" Back Height) - Right	1	1
11		1055398	Grip, Foam (4")	1	1
12		1126143	Handle, Push	1	1
13		1151351	Cane, Lower (20"-22" Back Height) - Right	1	1
14		1003545	Screw, Socket Head (1/4-20 x 1-1/4")	1	2
15		1025736	Locknut (1/4-20)	1	2

Back Cane, Spreader Bar and Push Handle Assembly (12"-16" W) Sling Nylon Back Uph. (12"-15" W) Conv. Back - TDX SPREE

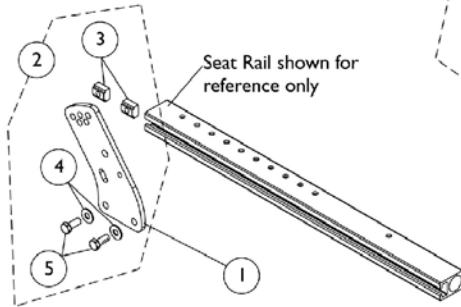
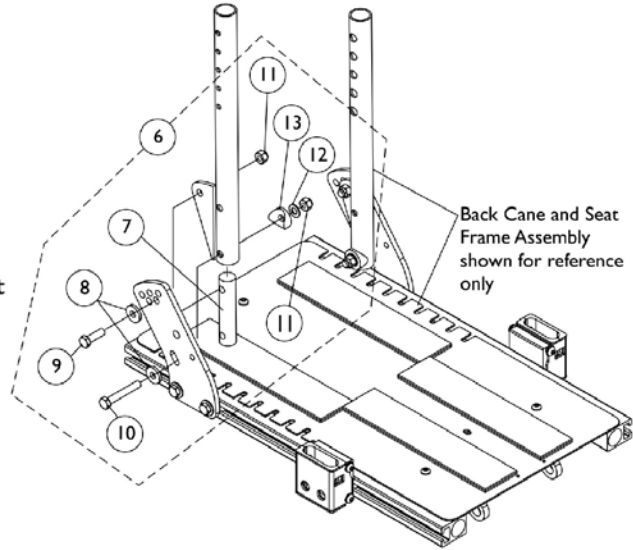
Item Number	Note	Part Number	Description	Quantity Per	
				Package	Assembly
10	C	1152738	Kit, Back Cane Assembly with Hardware (20"-22" Back Height) - Left	1	1
11		1055398	Grip, Foam (4")	1	1
12		1126143	Handle, Push	1	1
13		1151352	Cane, Lower (20"-22" Back Height) - Left	1	1
14		1003545	Screw, Socket Head (1/4-20 x 1-1/4")	1	2
15		1025736	Locknut (1/4-20)	1	2
11		1135505	Package, Foam Hand Grips (4" Long)	10	1
16	D	1126148	Kit, Spreader Bar with Headrest Bracket (12"-16" Adj. Width)	1	1
17		1008432	Screw, Socket Button Head (1/4-20 x 1-1/4")	1	2
18		1025195	Locknut (1/4-20)	1	4
19		1112539	Folding Hinge Assembly	1	2
20		1127159	Cover, Spreader Bar w/ Headrest Bracket	1	1
21		1008495	Screw, Socket Button Head (1/4-20 x 1-1/2")	1	4
22		1026099	Spacer, Coved (1/4 x 11/16 x 1/2")	1	4
23		15680X013	Anti-Rattle (1")	1	2
24		1126138	Insert, Spreader Bar Connector	1	2
25		1127972	Tube, Spreader Bar w/ Headrest Bracket	1	1
26		1028513	Screw, Socket Head (#10-32 x 1-1/4")	1	1
27		1126103	Release Handle w/ Cable Assembly	1	1
28		1086207	Nut, Square (#10-32)	1	1
29		1133698	Grip, Foam Hand (9" Long)	1	2
30		1082620	Handle, Push w/ Foam Grip, Black (12" Wide)	1	1
30		1082621	Handle, Push w/ Foam Grip, Black (13" Wide)	1	1
30		1082622	Handle, Push w/ Foam Grip, Black (14" Wide)	1	1
30		1082623	Handle, Push w/ Foam Grip, Black (15" Wide)	1	1
30		1082624	Handle, Push w/ Foam Grip, Black (16" Wide)	1	1

NOTE: A - Plug Buttons are not required when stroller handles are used.
B - Includes items 2-9
C - Includes items 11-15
D - Includes items 17-25

Back Cane Attaching Hardware (12"-16" Wide) ADJASBA Seats - TDX SPREE

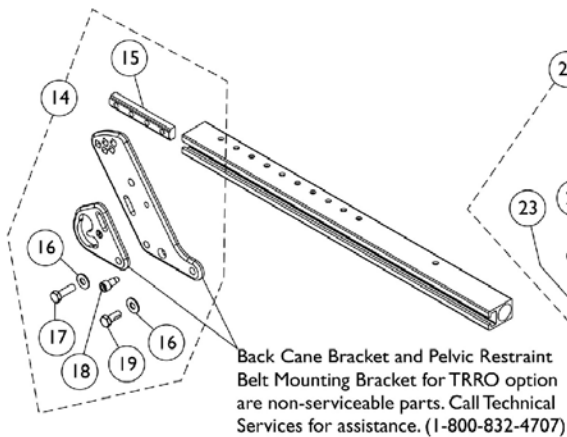


**Back Cane Mounting Hardware For
TDX SPREE 16" Wide, Non-Manual Tilt
with Conventional Back**

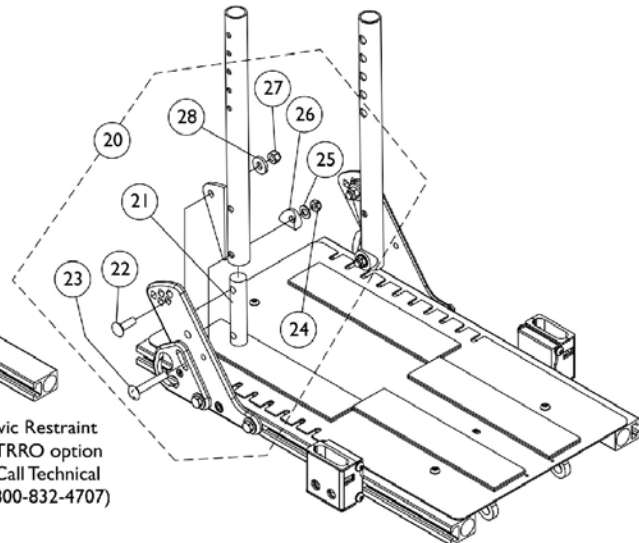


**Back Cane Bracket Mounting Hardware
TDX SPREE without TRRO Option**

**Back Cane Mounting Hardware
TDX SPREE without TRRO Option**



**Back Cane Bracket Mounting Hardware
TDX SPREE with TRRO Option**



**Back Cane Mounting Hardware
TDX SPREE with TRRO Option**

Back Cane Attaching Hardware (12"-16" Wide) ADJASBA Seats - TDX SPREE

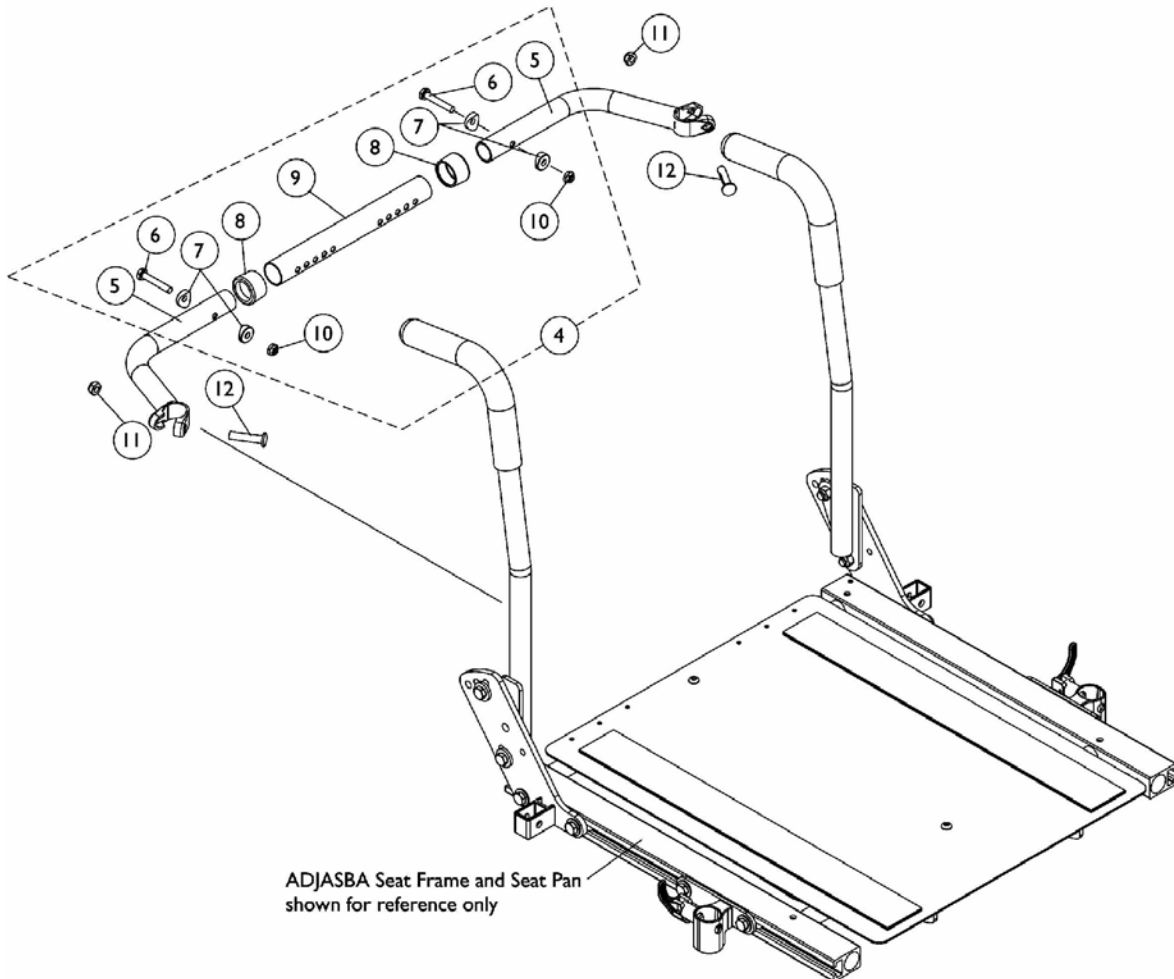
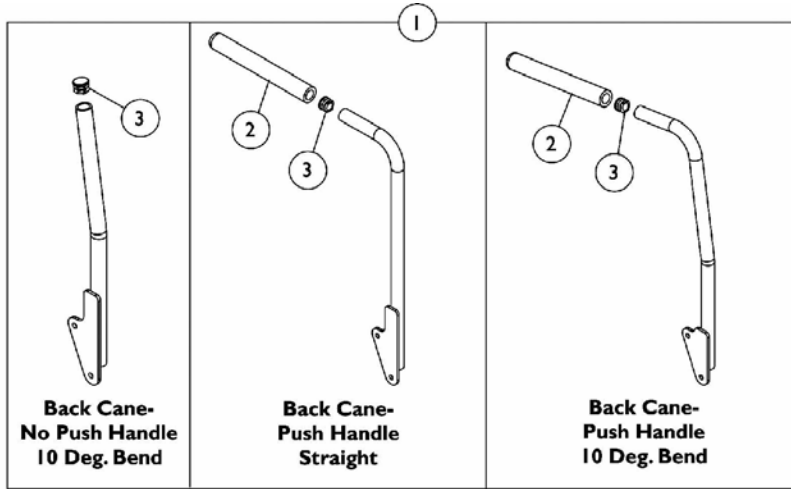
Item Number	Note	Part Number	Description	Quantity Per	
				Package	Assembly
1		1146452	Bracket, Back Cane Mounting, Black	1	1
2	A	1154110	Kit, Back Cane Bracket Mounting Hardware	1	1
3		1069724	T-Nut (5/16-18)	1	2
4		1074133	Washer (5/16 x 3/4 x 1/16")	1	2
5		1039860	Screw, Hex Head Cap with Patch (5/16-18 x 3/4")	1	2
6	B	1147973	Kit, Back Cane Mounting Hardware (Pair)	1	1
7		1126132	Insert, Back Cane	1	2
8		1079247	Washer, Flat (21/64 x 53/64 x 7/64")	1	4
9		1003548	Screw, Hex Head Cap (5/16-18 x 1")	1	2
10		1042484	Screw, Hex Head (5/16-18 x 2")	1	2
11		1026158	Locknut (5/16-18)	1	4
12		1025704	Washer, Flat (5/16 x 5/8 x 1/16")	1	2
13		1016263	Spacer, Coved (3/4 x 1 x 1/2")	1	2
14	C	1154111	Kit, Back Cane Bracket Mounting Hardware TRRO	1	1
15		1125632	T-Nut (5/16-18)	1	1
16		1074133	Washer (5/16 x 3/4 x 1/16")	1	2
17		1050161	Screw, Hex Head Cap with Patch (5/16-18 x 1")	1	1
18		1139428	Screw, Socket Head Cap (5/16-18 x 3/4")	1	1
19		1039860	Screw, Hex Head Cap with Patch (5/16-18 x 3/4")	1	1
20	D	1147968	Kit, Back Cane Mounting Hardware TRRO (Pair)	1	1
21		1126132	Insert, Back Cane	1	2
22		1105030	Bolt, Round Head Square Neck (5/16-18 x 1")	1	2
23		1147969	Screw, Round Head Square Neck (5/16-18 x 2")	1	2
24		1028769	Locknut (5/16-18)	1	2
25		1025704	Washer, Flat (5/16 x 5/8 x 1/16")	1	2
26		1016263	Spacer, Coved (3/4 x 1 x 1/2")	1	2
27		1026158	Locknut (5/16-18)	1	2
28		1079247	Washer, Flat (21/64 x 53/64 x 7/64")	1	2
29	E	1125733	Kit, Solid Straight Back Cane w/o Push Handle, Mounting Hardware	1	1
30		1003548	Screw, Hex Head Cap (5/16-18 x 1")	1	2
31		1026158	Locknut (5/16-18)	1	2
32		1079247	Washer, Flat (21/64 x 53/64 x 7/64")	1	2

NOTE: A - Includes items 3-5
 B - Includes items 7-13
 C - Includes items 15-19
 D - Includes items 21-28
 E - Includes items 30-32

Back Cane Mounting Hardware is used for TDX SPREE Non-Manual Tilt and Manual Tilt models. Conventional Back for 16" wide Non-Manual Tilt will use the solid straight back cane only

Back Cane and Spreader Bar (16"-20" Wide) ADJASBA Seats - TDX SC

Contoura Backs for ADJASBA Seating do not utilize a Spreader Bar Assembly.



Back Cane and Spreader Bar (16"-20" Wide) ADJASBA Seats - TDX SC

Contoura Backs for ADJASBA Seating do not utilize a Spreader Bar Assembly.

Item Number	Note	Part Number	Description	Quantity Per	
				Package	Assembly
1		See Chart	#1 Back Cane Assemblies	1	1
2		1135506	Package, Foam Hand Grips (9" Long)	10	1
3		1134426	Package, Plug Buttons, Black (3/4")	10	1
4	A	1125709	Kit, Spreader Bar Assembly (16"-20" Wide)	1	1
5		1120293	Handle, Spreader Bar	1	2
6		1030949	Screw, Hex Head (1/4-20 x 1-1/2")	1	2
7		1026099	Spacer, Coved (1/4 x 11/16 x 1/2")	1	4
8		15680X013	Anti-Rattle (1")	1	2
9		1120280	Tube, Spreader Bar Adjustable (16"-20" Wide)	1	1
10		1025195	Locknut (1/4-20)	1	2
11		1025730	Locknut (5/16-24)	1	2
12		1031026	Screw w/ Lug (5/16-24 x 1-3/8")	1	2

NOTE: A - Includes items 5-10

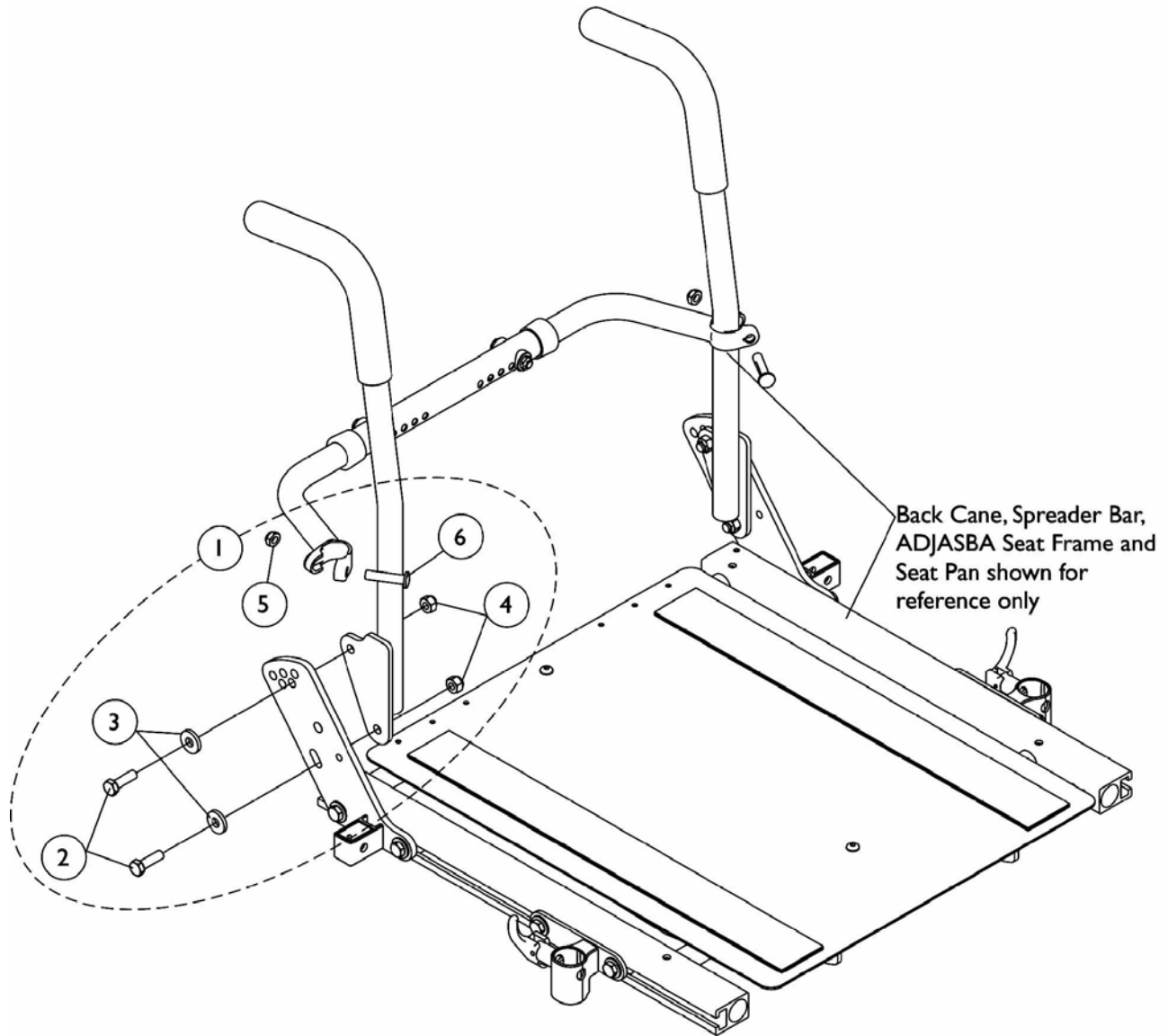
#1 Back Cane Assemblies

Back Height	Back Cane- No Push Handle 10 Deg. Bend Right	Back Cane- No Push Handle 10 Deg. Bend Left	Back Cane- Push Handle Straight Right	Back Cane- Push Handle Straight Left	Back Cane- Push Handle 10 Deg. Bend Right	Back Cane- Push Handle 10 Deg. Bend Left
12"	1134058	1134059	1133785	1133786	1133814	1133815
13"	1134060	1134061	1133787	1133788	1133816	1133817
14"	1134062	1134063	1133789	1133790	1133818	1133819
15"	1134064	1134065	1133791	1133792	1133820	1133821
16"	1134066	1134067	1133793	1133794	1133822	1133823
17"	1134068	1134069	1133795	1133796	1133824	1133825
18"	1134070	1134071	1143334 See Note(s) B	1143335 See Note(s) B	1133826	1133827
19"	1134072	1134073	1133799	1133800	1133828	1133829
20"	1134074	1134075	1133801	1133802	1133830	1133831
21"	1134076	1134077	1136011 See Note(s) A	1136012 See Note(s) A	1133832	1133833
22"	1134078	1134079	1136013	1136014	1133834	1133835
23"	1134080	1134081	1136015 See Note(s) A	1136016 See Note(s) A	1133837	1133838
24"	1134082	1134083	1136017 See Note(s) A	1136018 See Note(s) A	1133839	1133840

NOTE: A - 21"-24" High Straight Back Canes with Push Handles are only offered On-Chair when the Back Upholstery is omitted
B - Chairs with Contoura Backs use 18" high back canes only

NOTE: Back Cane Assemblies include Foam Grips and Plug Buttons where shown

Back Cane Attaching Hardware (16"-20" Wide) ADJASBA Seats - TDX SC



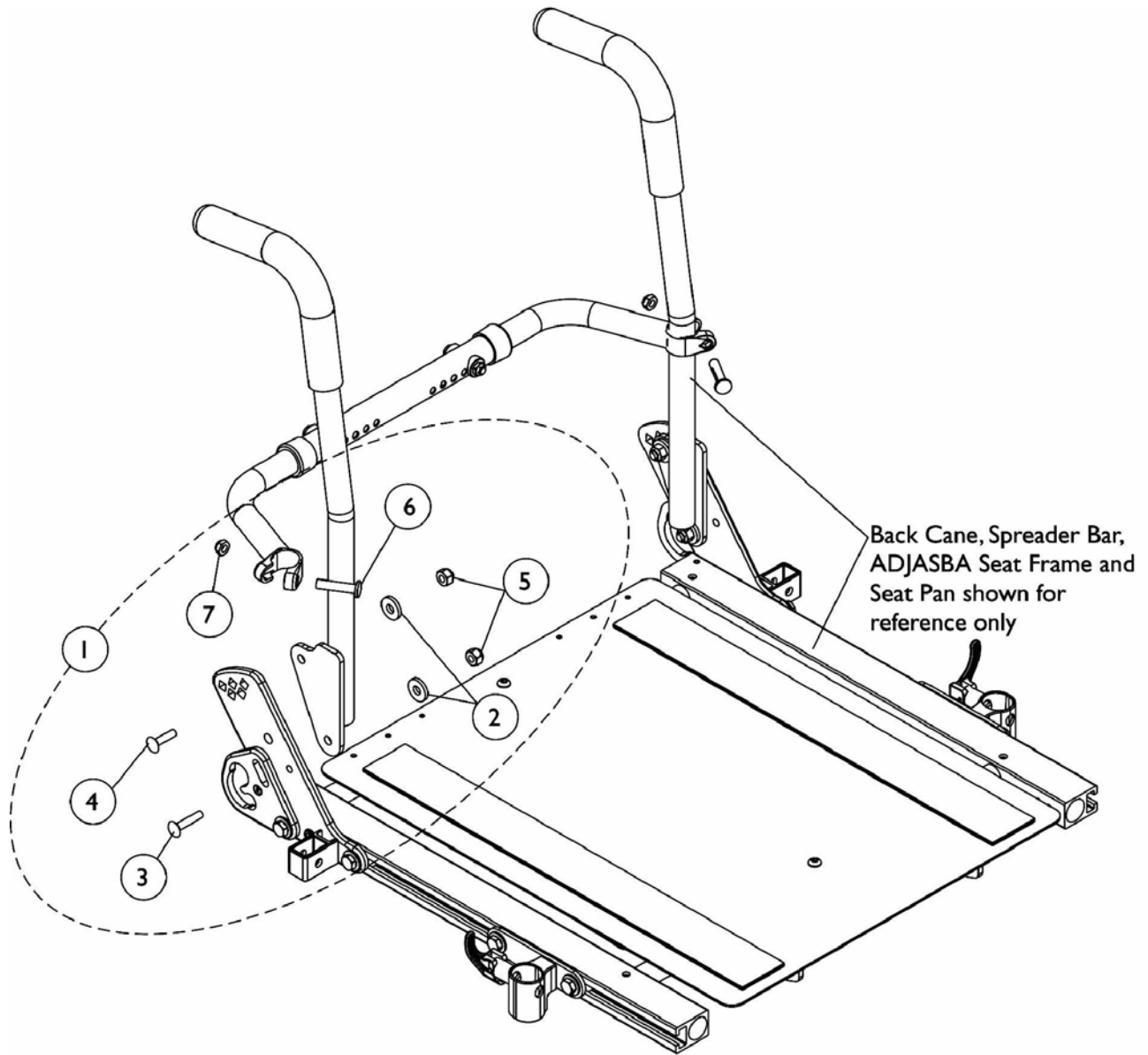
Back Cane Attaching Hardware (16"-20" Wide) ADJASBA Seats - TDX SC

Item Number	Note	Part Number	Description	Quantity Per	
				Package	Assembly
1	A	1133755	Kit, Back Cane Mounting Hardware (Pair)	1	1
2		1003548	Screw, Hex Head Cap (5/16-18 x 1")	1	4
3		1079247	Washer, Flat (21/64 x 53/64 x 7/64")	1	4
4		1026158	Locknut (5/16-18)	1	4
5		1025730	Locknut (5/16-24)	1	2
6		1031026	Screw w/ Lug (5/16-24 x 1-3/8")	1	2

NOTE: A - Includes items 2-6

Back Cane Attaching Hardware

(16"-20" Wide) ADJASBA Seats with TRRO Option - TDX SC

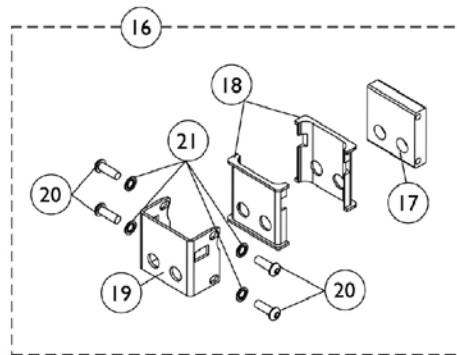
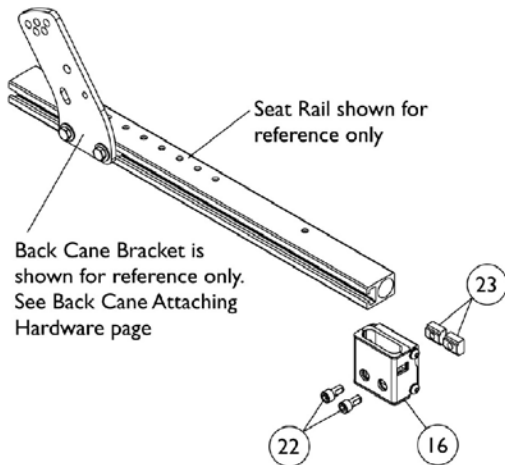
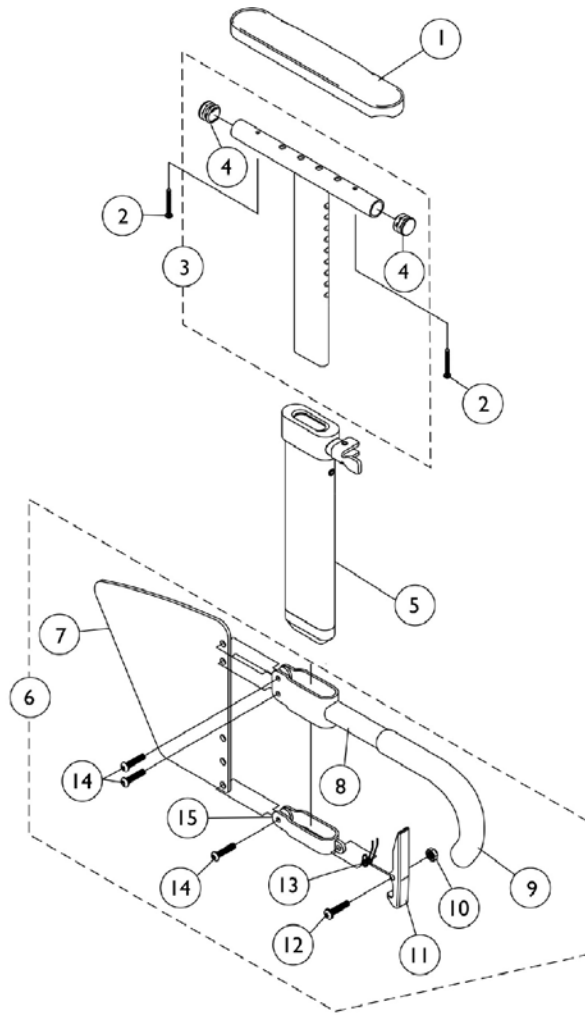


Back Cane Attaching Hardware (16"-20" Wide) ADJASBA Seats with TRRO Option - TDX SC

Item Number	Note	Part Number	Description	Quantity Per	
				Package	Assembly
1	A	1137234	Kit, Back Cane Mounting Hardware For TRRO Option (Pair)	1	1
2		1079247	Washer, Flat (21/64 x 53/64 x 7/64")	1	4
3		1134942	Bolt, Round Head Square Neck (5/16-18 x 1-1/4")	1	2
4		1105030	Bolt, Round Head Square Neck (5/16-18 x 1")	1	2
5		1026158	Locknut (5/16-18)	1	4
6		1031026	Screw w/ Lug (5/16-24 x 1-3/8")	1	2
7		1025730	Locknut (5/16-24)	1	2

NOTE: A - Includes items 2-7, Right and Left sides

Arms, "T" and Hardware

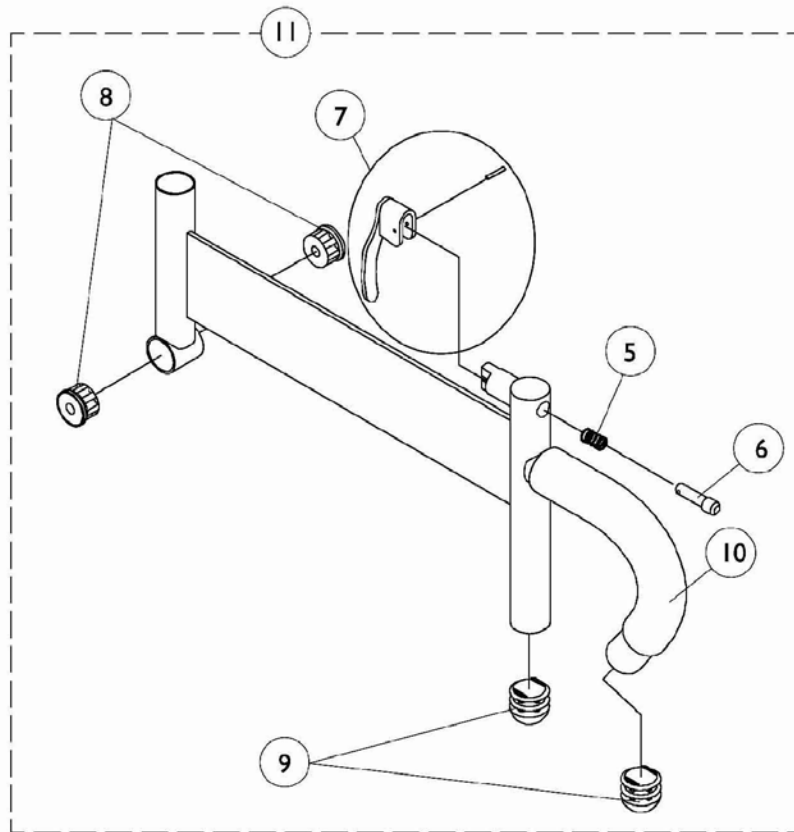
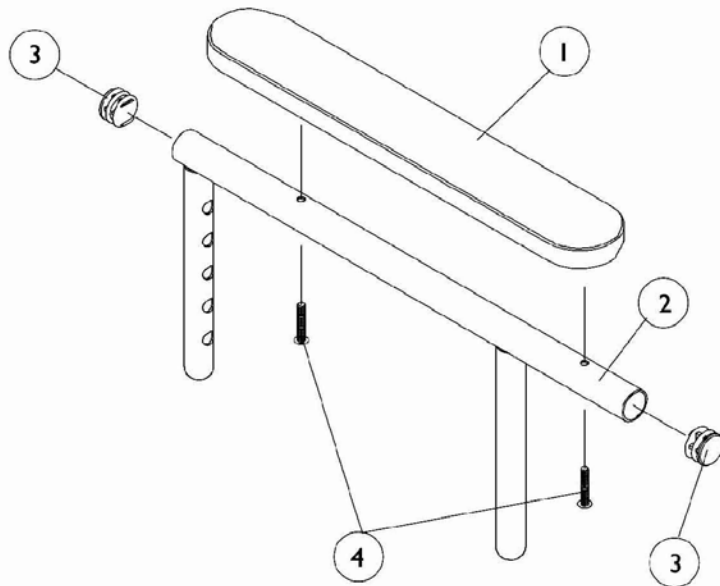


Arms, "T" and Hardware

Item Number	Note	Part Number	Description	Quantity Per	
				Package	Assembly
1	A,B	8881083213	Arm Pad, Desk Length, Right (9" L x 2" W)	1	1
1	A,B	8881083214	Arm Pad, Desk Length, Left (9" L x 2" W)	1	1
1	A,B	8881083215	Arm Pad, Full Length, Right (14" L x 2" W)	1	1
1	A,B	8881083216	Arm Pad, Full Length, Left (14" L x 2" W)	1	1
2		1055205	Package, Screws Phillips Pan Head (#10-32 x 1-3/8")	2	1
3		1069639	"T" Arm w/ Plug Buttons, Desk Length - Low Range	1	1
3		1069643	"T" Arm w/ Plug Buttons, Full Length - Low Range	1	1
4		1027095	Plug Button, Black (7/8")	1	2
5		1069635	Arm Post, Low Range	1	1
6		1073424	Kit, Clothing Guard, Low Range - Right	1	1
6		1073425	Kit, Clothing Guard, Low Range - Left	1	1
7		1069652	Clothing Guard, Low Range	1	1
8		1069650	Support Tube, High Range - Right	1	1
8		1073246	Support Tube, High Range - Left	1	1
9		1028427	Grip, Foam	1	1
10		1025731	Locknut (#10-32)	1	1
11		1073235	Lock Lever	1	1
12		1025716	Screw, Phillips Pan Head (#10-32 x 11/16")	1	1
13		1073196	Spring, Torsion	1	1
14		1006773	Screw, Socket Head (1/4-20 x 1/2")	1	3
15		1073190	Clamp, Skirt Guard	1	1
16	B	1151356	Kit, "T" Arm Socket Mounting Hardware	1	1
17		1151355	Bracket, "T" Arm Socket	1	1
18		1069609	Insert, Arm Socket	1	2
19		1069620	Bracket, Socket	1	1
20		1055305	Screw, Socket Button Head (1/4-28 x 3/4")	1	4
21		1026108	Lockwasher (1/4 x 15/32 x 1/64")	1	4
22		1098960	Screw, Socket Head Cap w/ Patch (5/16-18 x 5/8")	1	2
23		1069724	T-Nut (5/16-18)	1	2

NOTE: A - Specify U67 upholstery color when ordering.
B - Includes items 17-21

Arms, Adjustable Height (12"-16" W x 12"-18" D) Seat Frame

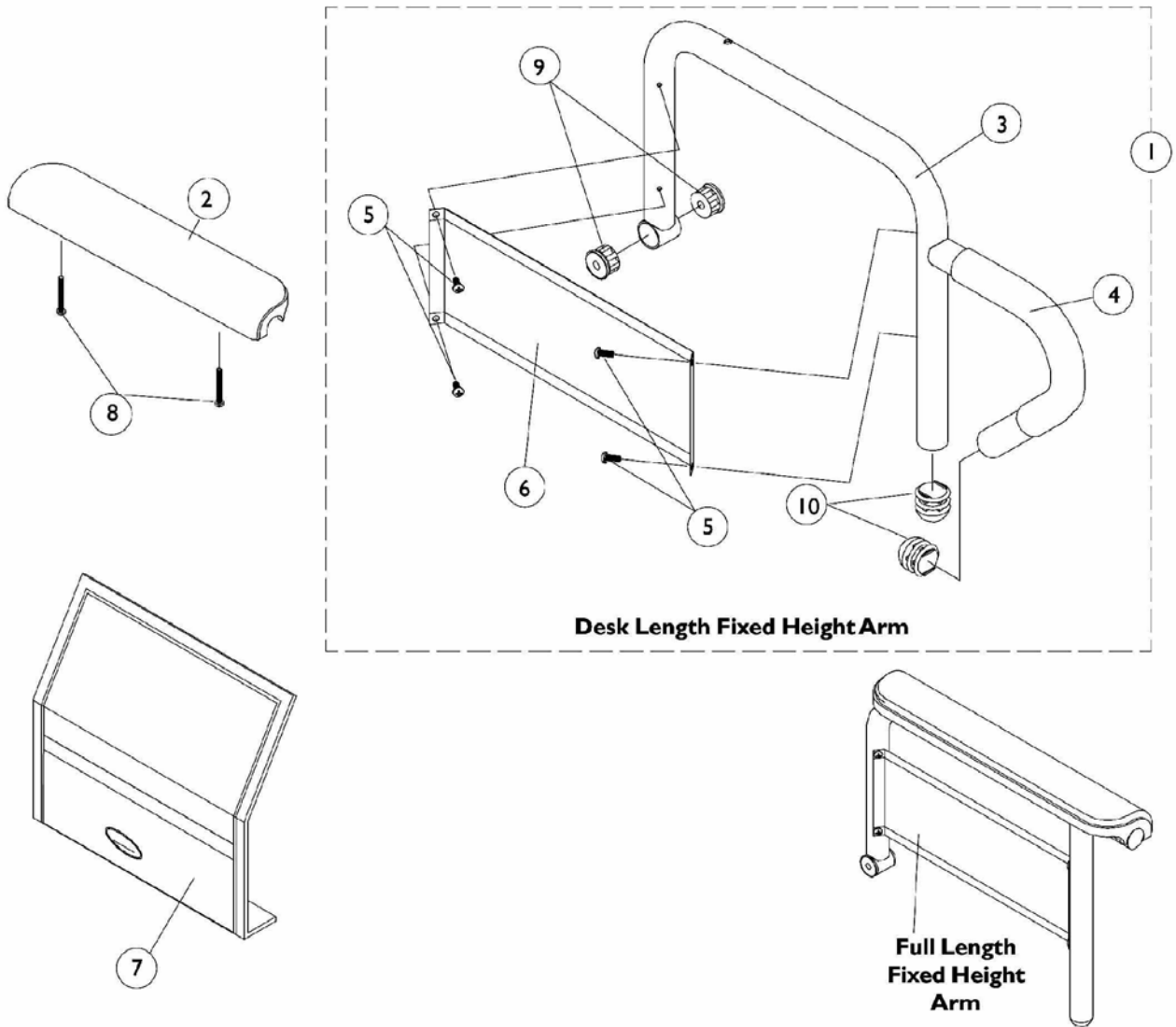


Arms, Adjustable Height (12"-16" W x 12"-18" D) Seat Frame

Item Number	Note	Part Number	Description	Quantity Per	
				Package	Assembly
1	A	8881015932	Arm Pad, Vinyl, Full Length (14" L x 2" W) - Right	1	1
1	A	8881015933	Arm Pad, Vinyl, Full Length (14" L x 2" W) - Left	1	1
1	A	8881053577	Arm Pads, Vinyl, Full Length with Screws (14" L x 2" W)	2	1
1	A	8881011811	Arm Pad, Vinyl, Desk Length (9" L x 2" W)	1	1
1	A	8881053578	Arm Pads, Vinyl, Desk Length with Screws (9" L x 2" W)	2	1
2		1071263	Upper Arm Assembly, Adjustable Height with Plug Buttons - Full Length	1	1
2		1071259	Upper Arm Assembly, Adjustable Height with Plug Buttons - Desk Length	1	1
3		1027095	Plug Button, Black (7/8")	1	2
4		1055949	Screws, Phillips Pan Head (#10-32 x 1-1/8")	2	1
5		47471X074	Spring, Arm Lock	1	1
6		1028594	Pin, Arm Lock	1	1
7		1090768	Kit, Lock Handle w/Rivets (both LT & RT side)	2	1
8		1065936	Plug, Pivot	1	2
9		1067734	Plug Button, Black (5/8")	1	2
10		1016298	Grip, Push Handle	1	1
11	B	1068585	Arm Base Assembly, Adjustable Height - Right (Black)	1	1
11	B	1068586	Arm Base Assembly, Adjustable Height - Left (Black)	1	1

NOTE: A - Specify U67 Black upholstery color when ordering.
B - Includes items 5-10

Arms, Fixed Height (16"-20" Wide) x (16"-20" Deep) Seat Frames



Arms, Fixed Height (16"-20" Wide) x (16"-20" Deep) Seat Frames

#1 Arms Less Pad

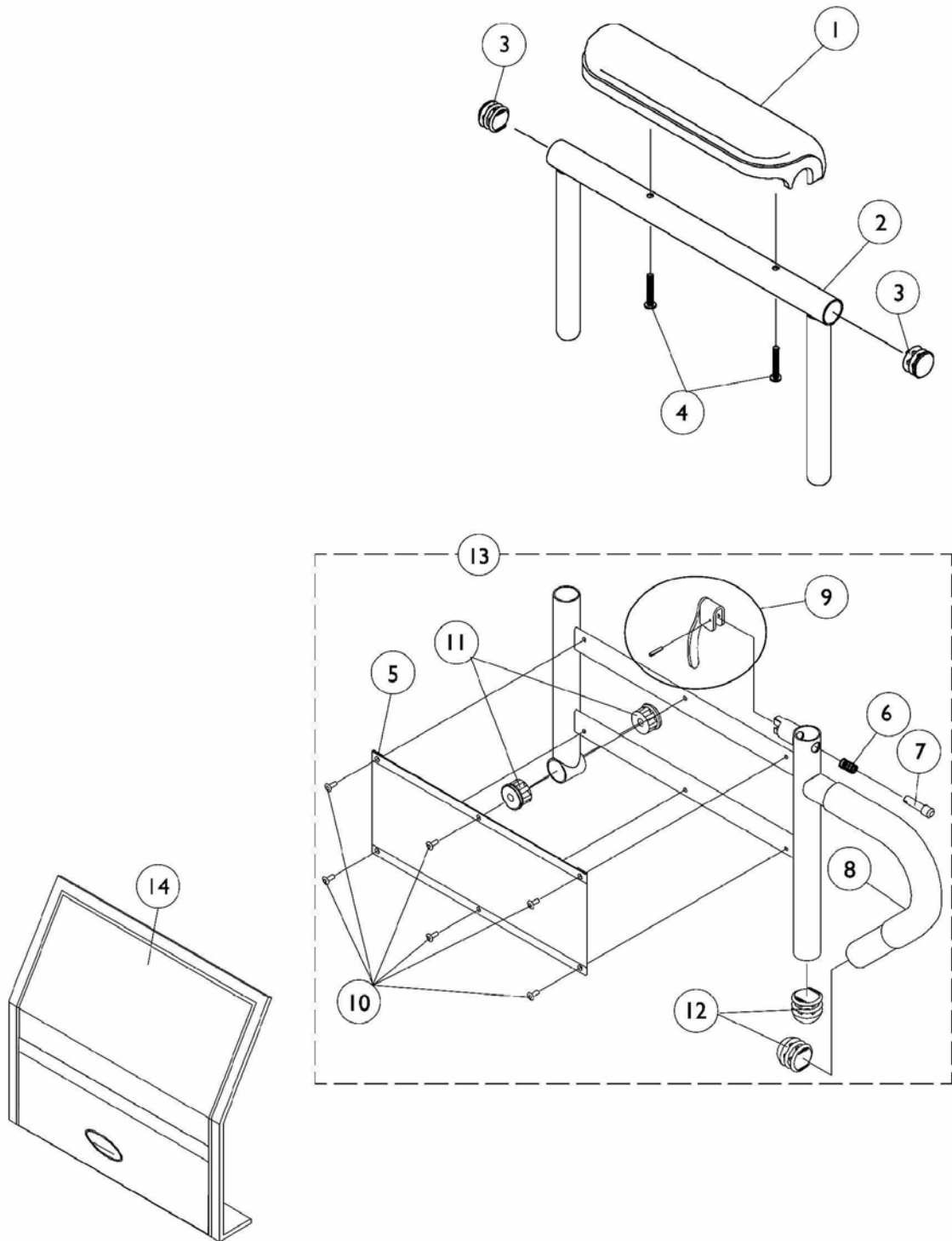
16-20" Deep Seat Frames

Arm Style	Right	Left
Desk Length	1068566	1068567
Full Length	1068559	1068560

Item Number	Note	Part Number	Description	Quantity Per	
				Package	Assembly
1	A	See Chart	#1 Arms Less Pad - 16-20" Deep Seat Frames	1	1
2		1117328	Arm Pad, Full Length, Urethane Waterfall with Screws, Black (13" L x 2-5/8" W)	1	1
2		1110818	Arm Pads, Full Length, Urethane Waterfall with Screws, Black (13" L x 2-5/8" W) (Pair)	2	1
2		1117327	Arm Pad, Desk Length, Urethane Waterfall with Screws, Black (9" L x 2-5/8" W)	1	1
2		1110817	Arm Pads, Desk Length, Urethane Waterfall with Screws, Black (9" L x 2-5/8" W) (Pair)	2	1
3	B	1068564	Arm Tube, Desk Length 16-19" Deep - Right (Black)	1	1
3	B	1068565	Arm Tube, Desk Length 16-19" Deep - Left (Black)	1	1
3	B	1068490	Arm Tube, Full Length Standard 16-19" Deep - Right (Black)	1	1
3	B	1068491	Arm Tube, Full Length Standard 16-19" Deep - Left (Black)	1	1
4		1032244	Grip, Foam Hand (9" Long)	1	1
5		1025729	Screw, Self Tapping Pan Head (#8-32 x 3/8")	1	4
6	B	1035472	Clothing Guard, Desk Length	1	1
6	B	1044572	Clothing Guard, Full Length 16-19" Deep	1	1
7		1035065	Cover, Clothing Guard with Pocket - For Fixed Height Desk Length & Adjustable Height Full/Desk Length	1	1
8		1094270	Screw, Phillips Pan Head (#10-32 x 1-1/4") (Pair)	2	1
9		1065936	Plug, Pivot	1	2
10		1067734	Plug Button, Black (5/8")	1	2

NOTE: A - Includes items 3-6 & 9-10
B - All seat depths will use the 16-19" deep replacement components only.

Arms, Adjustable Height (16"-20" Wide) x (16"- 20" Deep) Seat Frames



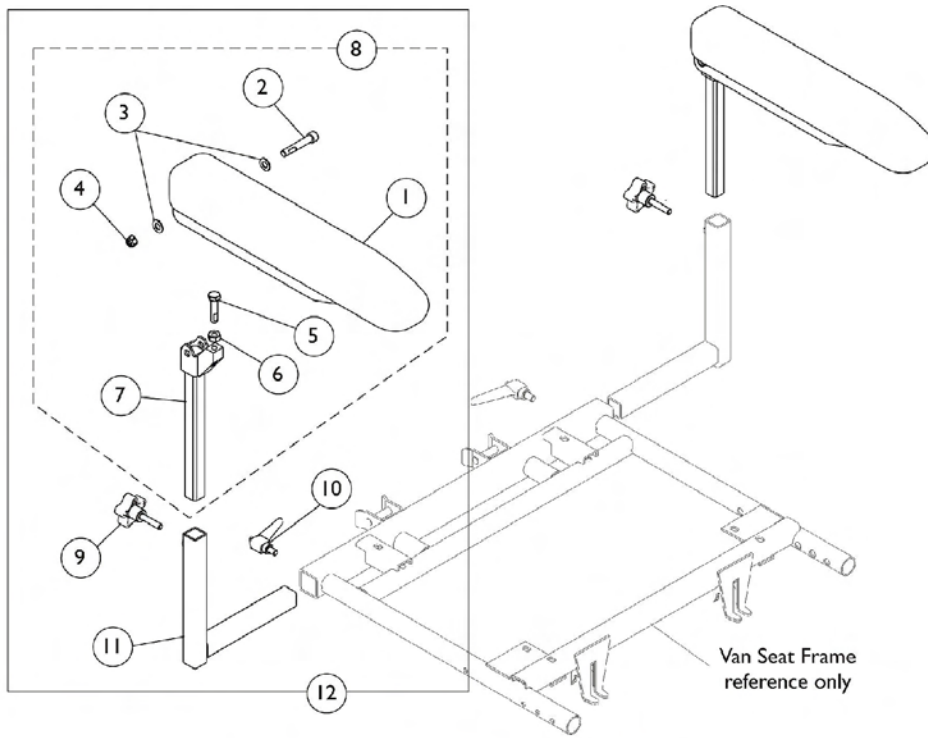
Arms, Adjustable Height (16"-20" Wide) x (16"- 20" Deep) Seat Frames

Item Number	Note	Part Number	Description	Quantity Per	
				Package	Assembly
1		1117328	Arm Pad, Full Length, Urethane Waterfall with Screws, Black (13" L x 2-5/8" W)	1	1
1		1110818	Arm Pads, Full Length, Urethane Waterfall with Screws, Black (13" L x 2-5/8" W) (Pair)	2	1
1		1117327	Arm Pad, Desk Length, Urethane Waterfall with Screws, Black (9" L x 2-5/8" W)	1	1
1		1110817	Arm Pads, Desk Length, Urethane Waterfall with Screws, Black (9" L x 2-5/8" W) (Pair)	2	1
2		1071253	Arm Top, Adjustable Height with Plug Buttons - Full Length (Black)	1	1
2		1070859	Arm Tube, Upper with Plug Buttons (Black) - Desk Length	1	1
3		1027095	Plug Button, Black (7/8")	1	2
4		1094270	Screw, Phillips Pan Head (#10-32 x 1-1/4") (Pair)	2	1
5		1064130	Clothing Guard	1	1
6		47471X074	Spring, Arm Lock	1	1
7		1028594	Pin, Arm Lock	1	1
8		1032244	Grip, Foam Hand (9" Long)	1	1
9		1090768	Kit, Lock Handle w/Rivets (both LT & RT side)	2	1
10		1028645	Rivet	1	6
11		1065936	Plug, Pivot	1	2
12		1067734	Plug Button, Black (5/8")	1	2
13	A,B	1068416	Arm Base, Adjustable Height 16-19" Deep - Right (Black)	1	1
13	A,B	1068417	Arm Base, Adjustable Height 16-19" Deep - Left (Black)	1	1
13	A,B	1067761	Arm Base, 1" Lower, Adjustable Height 16-19" Deep - Right (Black)	1	1
13	A,B	1067762	Arm Base, 1" Lower, Adjustable Height 16-19" Deep - Left (Black)	1	1
14		1035065	Cover, Clothing Guard with Pocket - For Fixed Height Desk Length & Adjustable Height Full/Desk Length	1	1

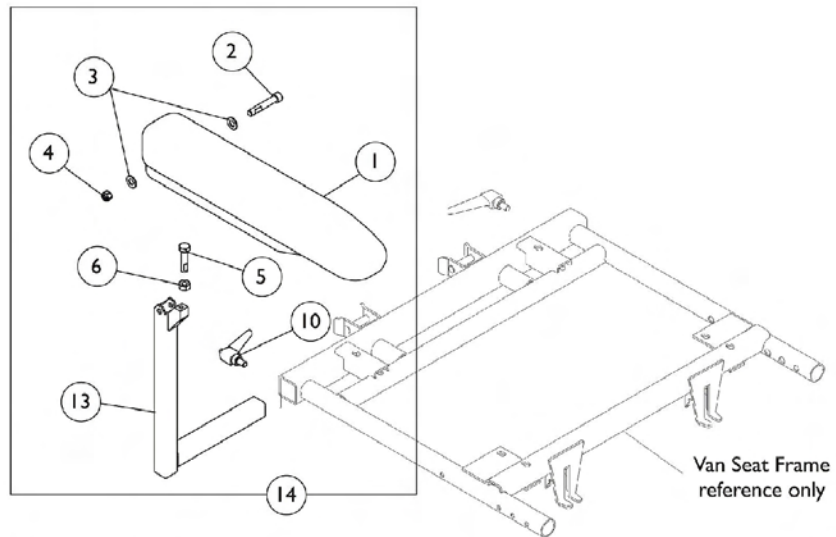
NOTE: A - Includes items 5-12
B - All seat depths will use the 16-19" deep replacement components only.

Van Seat Arms

TDX SC



Adjustable Height Arm Assembly



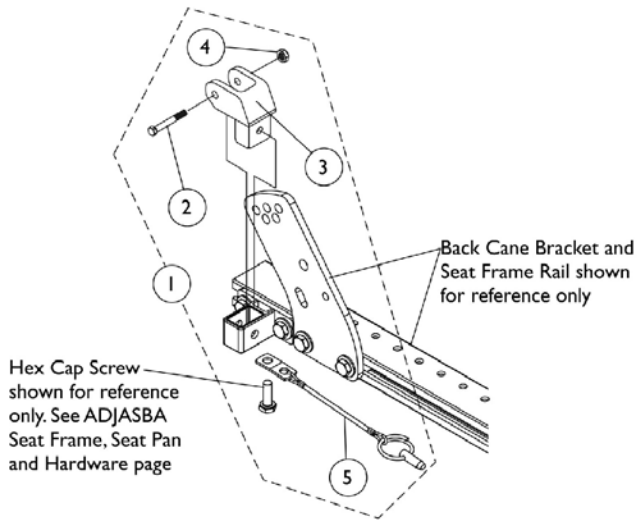
Fixed Height Arm Assembly

Van Seat Arms TDX SC

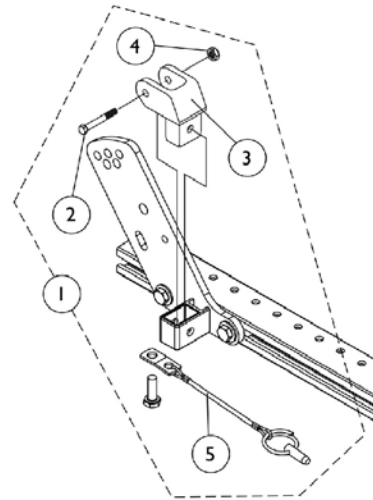
Item Number	Note	Part Number	Description	Quantity Per	
				Package	Assembly
8	A	1142487	Upper Arm Assembly, Desk Length (Right/Left)	1	1
1		1139923	Arm Pad - Desk Length, Black Urethane (12-1/4" L x 2-5/8" W)	1	1
2		1104845	Screw, Socket Head Cap with Patch (5/16-18 x 1-3/4")	1	1
3		1025704	Washer, Flat (5/16 x 5/8 x 1/16")	1	2
4		1026158	Locknut (5/16-18)	1	1
5		1104257	Screw, Hex Head (5/16-18 x 1-1/4")	1	1
6		1117303	Nut, Hex (5/16-18)	1	1
7	A	1113665	Arm Tube, Upper Adjustable Height	1	1
1		1139923	Arm Pad - Desk Length, Black Urethane (12-1/4" L x 2-5/8" W)	1	1
8		1140426	Upper Arm Assembly, Full Length (Right/Left)	1	1
1		1139924	Arm Pad - Full Length, Black Urethane (15" L x 2-5/8" W)	1	1
2		1104845	Screw, Socket Head Cap with Patch (5/16-18 x 1-3/4")	1	1
3		1025704	Washer, Flat (5/16 x 5/8 x 1/16")	1	2
4		1026158	Locknut (5/16-18)	1	1
5		1104257	Screw, Hex Head (5/16-18 x 1-1/4")	1	1
6		1117303	Nut, Hex (5/16-18)	1	1
7		1113665	Arm Tube, Upper Adjustable Height	1	1
1		1139924	Arm Pad - Full Length, Black Urethane (15" L x 2-5/8" W)	1	1
9		1114910	Knob, Adjustment (5/16-18 x 3/4")	1	1
10		1114914	Handle, Release (5/16-18 x 1/2")	1	1
11	1113646	Arm Tube, Lower Adjustable Width - Right	1	1	
11	1113647	Arm Tube, Lower Adjustable Width - Left	1	1	
12	B	1142494	Arm Assembly, Desk Length Adj. Height - Right	1	1
12	B	1142495	Arm Assembly, Desk Length Adj. Height - Left	1	1
12	B	1142476	Arm Assembly, Full Length Adj. Height - Right	1	1
12	B	1142477	Arm Assembly, Full Length Adj. Height - Left	1	1
13	1114359	Arm Tube, Fixed Height - Right	1	1	
13	1114797	Arm Tube, Fixed Height - Left	1	1	
14	C	1142490	Arm Assembly, Desk Length Fixed Height - Right	1	1
14	C	1142491	Arm Assembly, Desk Length Fixed Height - Left	1	1
14	C	1142485	Arm Assembly, Full Length Fixed Height - Right	1	1
14	C	1142484	Arm Assembly, Full Length Fixed Height - Left	1	1

NOTE: A - Includes items 1-7
B - Includes items 8-11
C - Includes items 1-6,10, and 13

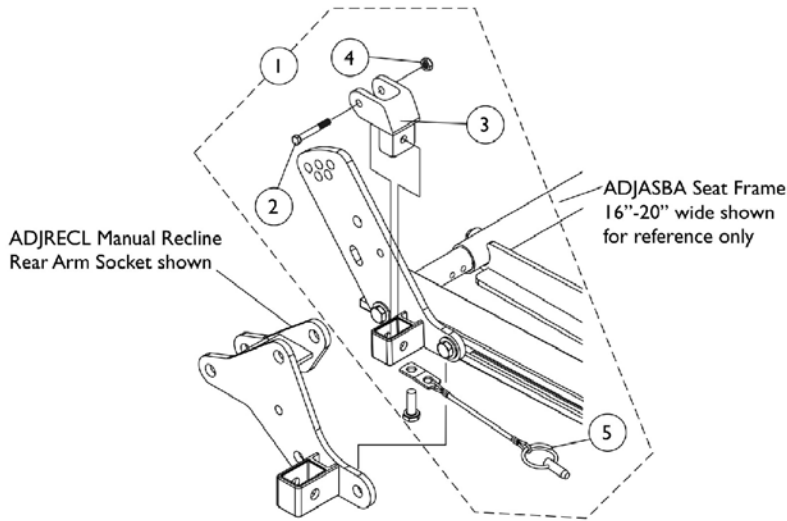
Arm Mounting Swingaway Hardware ADJASBA/ADJRECL Seats



Swingaway Armrest Mounting Hardware
ADJASBA Non-Manual Tilt Seat Frame &
ADJASBA Manual Tilt Seat Frame
(12"-15" Deep)
TDX SPREE



Swingaway Armrest Mounting Hardware
ADJASBA Non-Manual Tilt Seat Frame &
ADJASBA Manual Tilt Seat Frame
(16"-18" Deep)
TDX SPREE



Swingaway Armrest Mounting Hardware
ADJASBA Seat Frame (16"-20" Deep)
TDX SC

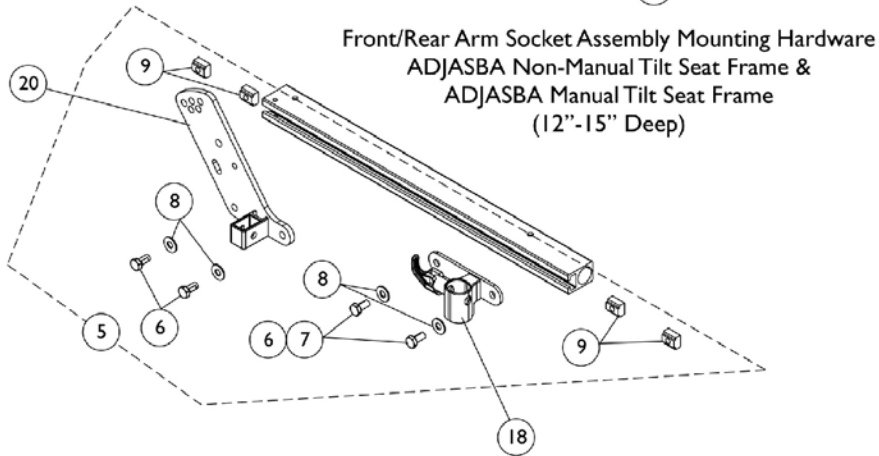
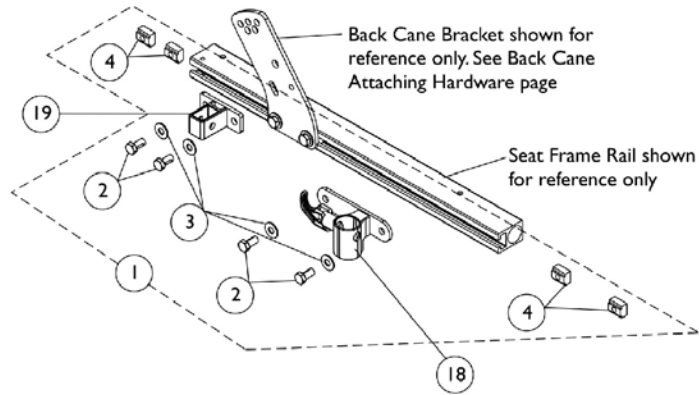
Arm Mounting Swingaway Hardware ADJASBA/ADJRECL Seats

Item Number	Note	Part Number	Description	Quantity Per	
				Package	Assembly
1	A	1068488	Kit, Swingaway Armrest Mounting Hardware	1	1
2		1019590	Screw, Socket Button Head (1/4-20 x 1-5/8")	1	1
3		1068025	Clevis, Pivot	1	1
4		1025195	Locknut (1/4-20)	1	1
5		1068039	Pin, Pull	1	1

NOTE: A - Includes items 2-5

Front/Rear Arm Socket Assembly and Hardware (12"-16" Wide) TDX SPREE

Refer to page titled "Back Cane Attaching Hardware For ADJASBA Seats (12"-16" Wide)" for replacing the Back Cane Bracket for chairs with T-Arms



Rear Arm Socket and Pelvic Restraint Belt Mounting Bracket for TRRO option are non-serviceable parts. Call Technical Services for assistance. (1-800-832-4707)

Front/Rear Arm Socket Assembly Mounting Hardware
ADJASBA Non-Manual Tilt Seat Frame &
ADJASBA Manual Tilt Seat Frame
(16"-18" Deep TRRO option only)

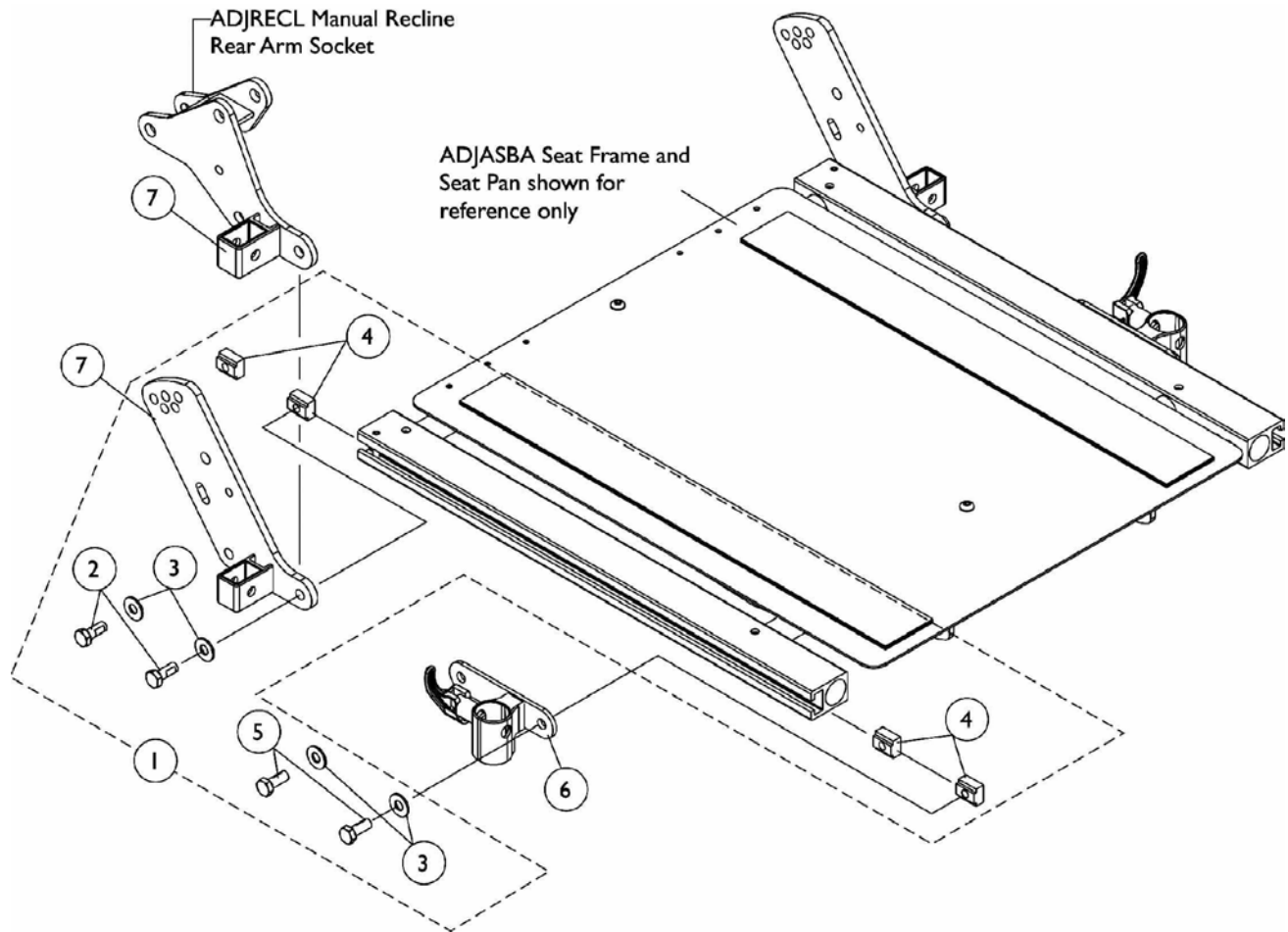
Front/Rear Arm Socket Assembly and Hardware (12"-16" Wide) TDX SPREE

Refer to page titled "Back Cane Attaching Hardware For ADJASBA Seats (12"-16" Wide)" for replacing the Back Cane Bracket for chairs with T-Arms

Item Number	Note	Part Number	Description	Quantity Per	
				Package	Assembly
1	A	1144596	Kit, Front/Rear Arm Socket Asbly. Mtg. Hdwr. (12-16" Wide)	1	1
2		1122652	Screw, Hex Head (5/16-18 x 5/8")	1	4
3		1074133	Washer (5/16 x 3/4 x 1/16")	1	4
4		1069724	T-Nut (5/16-18)	1	4
5	B	1125734	Kit, Front/Rear Arm Socket Assembly Mounting Hardware	1	1
6		1039860	Screw, Hex Head Cap with Patch (5/16-18 x 3/4")	1	2
7		1074133	Washer (5/16 x 3/4 x 1/16")	1	4
8		1069724	T-Nut (5/16-18)	1	4
9		1122652	Screw, Hex Head (5/16-18 x 5/8")	1	2
5	C	1144596	Kit, Front/Rear Arm Socket Asbly. Mtg. Hdwr. (12-16" Wide)	1	1
6		1122652	Screw, Hex Head (5/16-18 x 5/8")	1	4
7		1074133	Washer (5/16 x 3/4 x 1/16")	1	4
8		1069724	T-Nut (5/16-18)	1	4
10	D	1136025	Kit, Front/Rear Arm Socket Assembly Mounting Hardware For TRRO Option	1	1
11		1039860	Screw, Hex Head Cap with Patch (5/16-18 x 3/4")	1	1
12		1050161	Screw, Hex Head Cap with Patch (5/16-18 x 1")	1	1
13		1139428	Screw, Socket Head Cap (5/16-18 x 3/4")	1	1
14		1074133	Washer (5/16 x 3/4 x 1/16")	1	4
15		1125632	T-Nut (5/16-18)	1	1
16		1069724	T-Nut (5/16-18)	1	2
17		1122652	Screw, Hex Head (5/16-18 x 5/8")	1	2
18		1122619	Socket, Front Arm - Right	1	1
18		1122620	Socket, Front Arm - Left	1	1
19		1126142	Socket, Rear Arm	1	1
20		1125478	Socket, Rear Arm - Right	1	1
20		1125479	Socket, Rear Arm - Left	1	1

NOTE: A - Includes items 2-4. Used for both (12"-15" Deep) ADJASBA Non-Manual Tilt Seat Frame and ADJASBA Manual Tilt Seat Frame.
 B - Includes items 6-9. Used for (16"-18" Deep) ADJASBA Non-Manual Tilt Seat Frame
 C - Includes items 6-8. Used for (16"-18" Deep) ADJASBA Manual Tilt Seat Frame
 D - Includes items 11-16. Used for TRRO option on both (16"-18" Deep) ADJASBA Non-Manual Tilt Seat Frame and ADJASBA Manual Tilt Seat Frame.

Front/Rear Arm Socket Assembly and Hardware (16"-20" Wide) ADJASBA/ADJRECL Seats - TDX SC

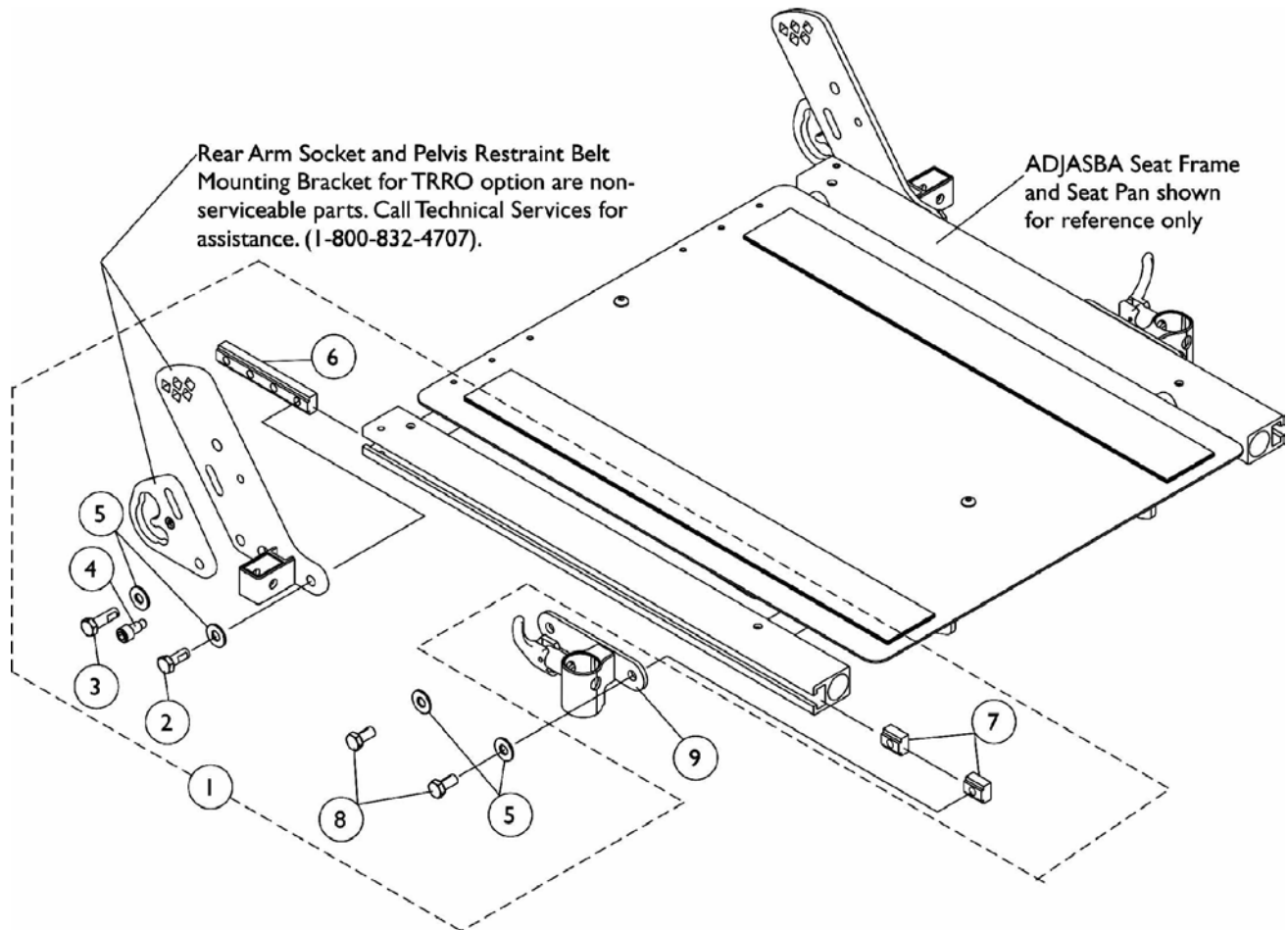


Front/Rear Arm Socket Assembly and Hardware (16"-20" Wide) ADJASBA/ADJRECL Seats - TDX SC

Item Number	Note	Part Number	Description	Quantity Per	
				Package	Assembly
1	A	1125734	Kit, Front/Rear Arm Socket Assembly Mounting Hardware	1	1
2		1039860	Screw, Hex Head Cap with Patch (5/16-18 x 3/4")	1	2
3		1074133	Washer (5/16 x 3/4 x 1/16")	1	4
4		1069724	T-Nut (5/16-18)	1	4
5		1122652	Screw, Hex Head (5/16-18 x 5/8")	1	2
6		1122619	Socket, Front Arm - Right	1	1
6		1122620	Socket, Front Arm - Left	1	1
7		1125478	Socket, Rear Arm - Right	1	1
7		1125479	Socket, Rear Arm - Left	1	1
7		1134481	Socket, ADJRECL Rear Arm - Right	1	1
7		1134482	Socket, ADJRECL Rear Arm - Left	1	1

NOTE: A - Includes items 2-5

Front/Rear Arm Socket Assembly and Hardware (16"-20" Wide) ADJASBA Seats with TRRO Option - TDX SC



Front/Rear Arm Socket Assembly and Hardware (16"-20" Wide) ADJASBA Seats with TRRO Option - TDX SC

Item Number	Note	Part Number	Description	Quantity Per	
				Package	Assembly
1		1136025	Kit, Front/Rear Arm Socket Assembly Mounting Hardware For TRRO Option	1	1
2		1039860	Screw, Hex Head Cap with Patch (5/16-18 x 3/4")	1	1
3		1050161	Screw, Hex Head Cap with Patch (5/16-18 x 1")	1	1
4		1139428	Screw, Socket Head Cap (5/16-18 x 3/4")	1	1
5		1074133	Washer (5/16 x 3/4 x 1/16")	1	4
6		1125632	T-Nut (5/16-18)	1	1
7		1069724	T-Nut (5/16-18)	1	2
8		1122652	Screw, Hex Head (5/16-18 x 5/8")	1	2
9		1122619	Socket, Front Arm - Right	1	1
9		1122620	Socket, Front Arm - Left	1	1

Front Riggings Reference Chart

For AT5544, 70NHD, PHW93

NOTE: Calf Pads with attaching hardware not included on Legrest.

NOTE: Pivot/Slide Tube attaching hardware not included.

NOTE: Pivot/Slide Tube and Footplates do not include Heel Loops. See Footrest and Legrest Accessories.

1651 = Composite footplate with 9-7/8" curved pivot/ slide tube.
AT5543 = Adjustable angle footplate with 9-7/8" straight pivot/ slide tube.
1350 = Extra large footplate with "L" style pivot/ slide tube.

Support Assemblies - AT5544, 70NHD, PHW93

Rigging Type	AT5544	70NHD	PHW93 (Black)
Right	8881045291 See Note(s) A	8881053149 See Note(s) A	1114755
Left	8881045292 See Note(s) A	8881053148 See Note(s) A	1114756

NOTE: A - Specify frame color when ordering, see page titled "Frame Finishes and Touch-Up Paints". Used for TDX SC models only

Pivot/ Slide Tube and Footplates For AT5544, 70NHD, PHW93

Footplate Type	1651 12-14" W	1651 15-16" W	1651 17-22" W	1350 17-22" W	AT5543 12-13" W	AT5543 14-15" W	AT5543 16" and Wider
Right	1057859 See Note(s) A	1057869 See Note(s) A	1057879	1026395	1060442	1060444	1062756
Left	1057860 See Note(s) A	1057870 See Note(s) A	1057880	1026396	1060443	1060445	1062757
Right 2" Longer	1057861 See Note(s) A	1057871 See Note(s) A	1057881	1086515	N/A	1062758	1062760
Left 2" Longer	1057862 See Note(s) A	1057872 See Note(s) A	1057882	1086517	N/A	1062759	1062761
Right 4" Longer	1058419 See Note(s) A	1058421 See Note(s) A	1058423	1086516	N/A	1121138	1121140
Left 4" Longer	1058420 See Note(s) A	1058422 See Note(s) A	1058424	1086518	N/A	1121139	1121141

Front Riggings Reference Chart

For AT5544, 70NHD, PHW93

NOTE: A - Not available on AT5544 legrest 13-15" wide

Front Riggings Reference Chart

For 90 SWING

NOTE: Pivot/Slide tube attaching hardware not included.

NOTE: Pivot/Slide tube and footplates do not include heel loops. See footrest and legrest accessories.

AT5543 = Adjustable angle footplate with 9-7/8" straight pivot/slide tube.
--

Support Assemblies

Pivot/Slide tube and footplates are interchangeable with the support assemblies listed.

Rigging Type	90 SWING
Right	8881062596 <small>See Note(s) A</small>
Left	8881062597 <small>See Note(s) A</small>

NOTE: A - Specify frame color when ordering, see page titled "Frame Finishes and Touchup Paints".

Pivot/Slide Tube and Footplates

Footplate Type	AT5543 12-13" W	AT5543 14-15" W	AT5543 16" W
Right	1060436	1060438	1062570
Left	1060437	1060439	1062571

Front Riggings Reference Chart For PH93M2

NOTE: Pivot/Slide Tube attaching hardware not included.

NOTE: Pivot/Slide Tube and Footplates do not include Heel Loops. See Footrest and Legrest Accessories.

1650 = Aluminum footplate with "L" style pivot/slide tube.
AT5543 = Adjustable angle footplate with 9-7/8" straight pivot/ slide tube.

Support Assembly - PH93M2

Rigging Type	PH93M2 (Black)
Right	1122964
Left	1122965

Pivot/Slide Tube and Footplates For PH93M2

Footplate Type	1650 12-13" W	1650 14-15" W	1650 16" W	AT5543 12-13" W	AT5543 14-15" W	AT5543 16" W
Right	1123074	1123076	1057969	1060430	1060432	1062572
Left	1123075	1123077	1057970	1060431	1060433	1062573

Front Riggings Reference Chart For PHAL4A

NOTE: Calf Pads with attaching hardware not included on Legrest.

NOTE: Pivot/Slide Tube attaching hardware not included.

NOTE: Pivot/Slide Tube and Footplates do not include Heel Loops. See Footrest and Legrest Accessories.

1650 = Aluminum footplate with "L" style pivot/slide tube.
1350 = Extra large footplate with "L" style pivot/slide tube.
AT5543 = Adjustable angle footplate with 9-7/8" straight pivot/ slide tube.

Support Assembly - PHAL4A

Rigging Type	PHAL4A (Chrome Only)
Right	1031437
Left	1031438

Pivot/Slide Tube and Footplates For PHAL4A

Footplate Type	1650 14-15" W	1650 16-22" W	1350 17-22" W	AT5543 14-15" W	AT5543 16" and Wider
Right	1023905	1023907	1035456	1091775	1091777
Left	1023906	1023908	1035457	1091776	1091778

Front Riggings Reference Chart

70ST TAPER

NOTE: Pivot/Slide Tube attaching hardware not included.

NOTE: Pivot/Slide Tube and Footplates do not include Heel Loops. See Footrest and Legrest Accessories.

1651 = Composite footplate with 9-7/8" curved pivot/slide tube.

Support Assemblies - 70ST TAPER

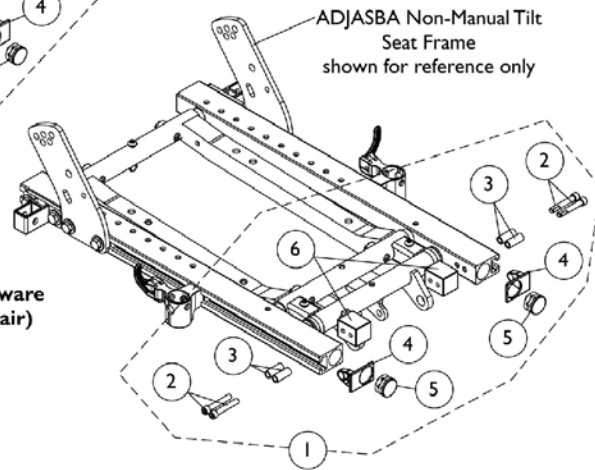
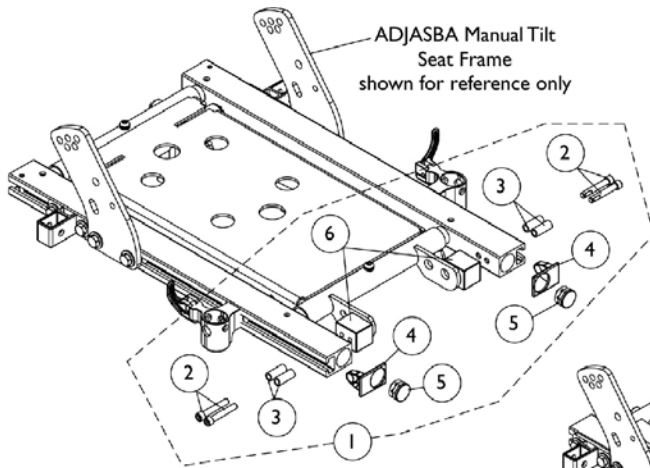
Rigging Type	70ST TAPER
Right	8881026996 See Note(s) A
Left	8881026997 See Note(s) A

NOTE: A - Specify frame color when ordering, see page titled "Frame Finishes and Touch-Up Paints". Used on TDX SC models only

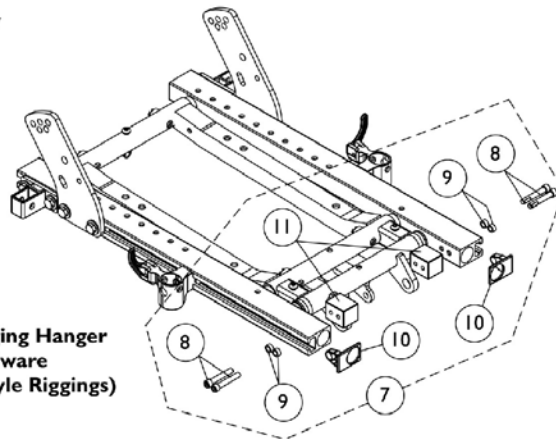
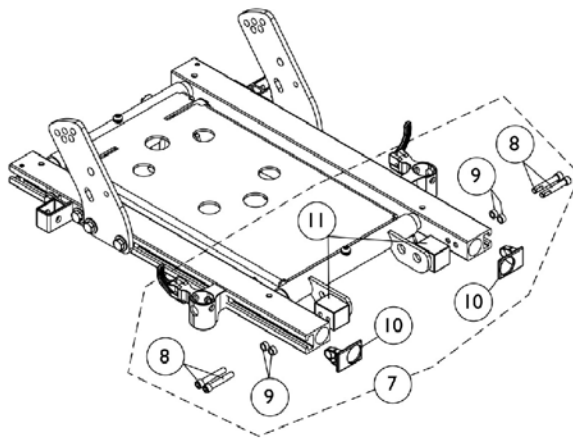
Pivot/Slide Tube and Footplates For 70ST TAPER

Footplate Type	1651 16-17" W	1651 18-19" W	1651 20" and Wider
Right	1057859	1057869	1057879
Left	1057860	1057870	1057880
Right 2" Longer	1057861	1057871	1057881
Left 2" Longer	1057862	1057872	1057882

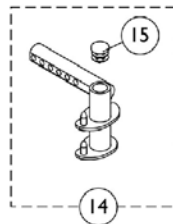
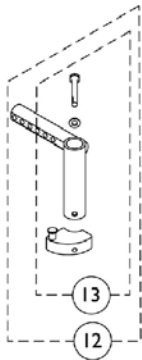
Front Rigging Hangers and Hardware Pin & Sector Style For ADJASBA (12"-16" Wide)



**Swingaway Front Rigging Non Hanger Hardware
(When Front Rigging Is Excluded From Chair)
or
When Center Mount Riggings are used**



**Swingaway Front Rigging Hanger
Mounting Hardware
(For Sector and Pin Style Riggings)**



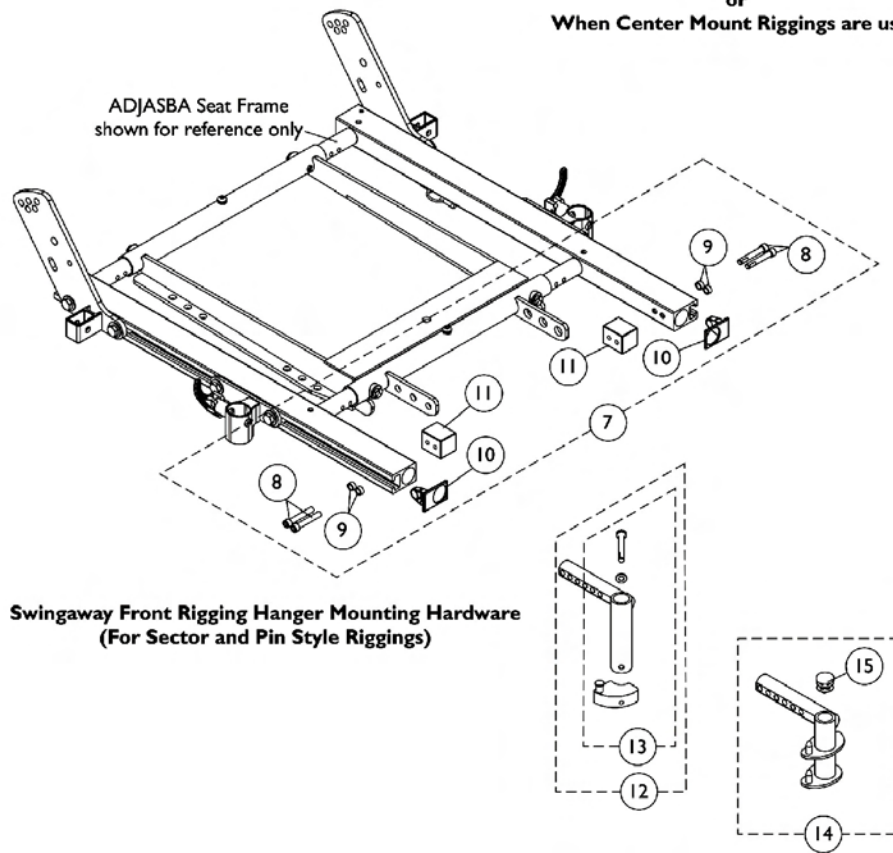
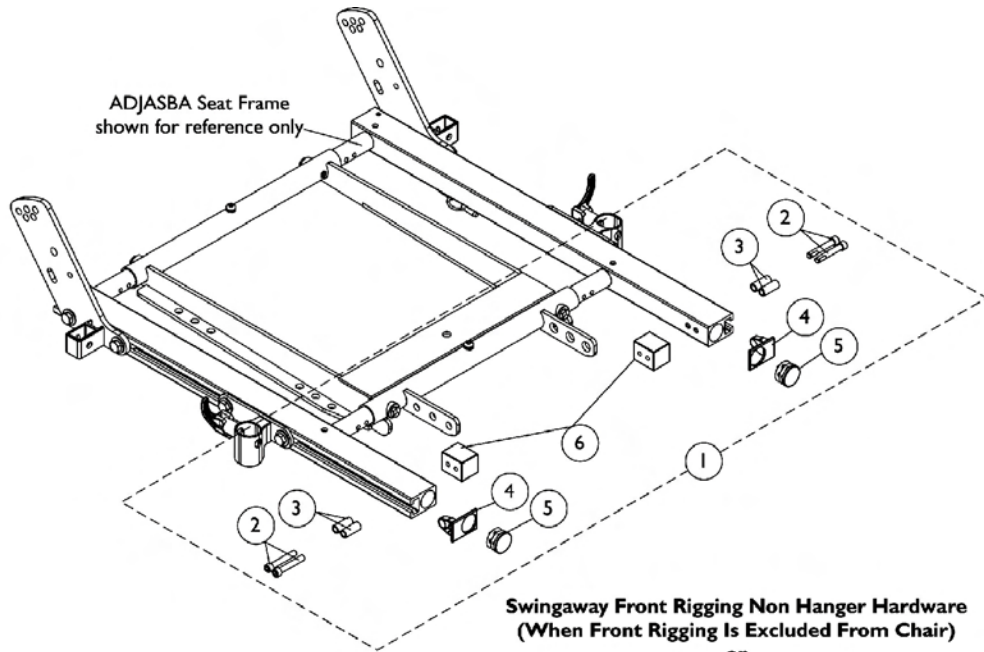
Front Rigging Hangers and Hardware Pin & Sector Style For ADJASBA (12"-16" Wide)

Item Number	Note	Part Number	Description	Quantity Per	
				Package	Assembly
1	A	1124723	Kit, Side Rail Cap Hardware (Pair)	1	1
2		1038379	Screw, Socket Head Cap w/ Patch (1/4-20 x 1-1/2")	1	4
3		1122618	Spacer (1/4 x 3/8 x 29/32")	1	4
4		1120286	Cap, Side Rail End	1	2
5		1029501	Plug Button, Black (1")	1	2
6		1122613	Block, Threaded	1	2
7	B	1125726	Kit, Front Rigging Hanger Mounting Hardware (Pair)	1	1
8		1038379	Screw, Socket Head Cap w/ Patch (1/4-20 x 1-1/2")	1	4
9		1047449	Spacer (1/4 x 3/8 x 3/16")	1	4
10		1120286	Cap, Side Rail End	1	2
11		1122613	Block, Threaded	1	2
12	C	1122602	Front Rigging Hanger Asbly., Sector Style - Right	1	1
12	C	1122603	Front Rigging Hanger Asbly., Sector Style - Left	1	1
13	D	1054571	Kit, Sector Block - Right	1	1
13	D	1054572	Kit, Sector Block - Left	1	1
14		1124401	Front Rigging Hanger Pin Style with Plug Button (Hemi) - Right	1	1
14		1124402	Front Rigging Hanger Pin Style with Plug Button (Hemi) - Left	1	1
15		1134426	Package, Plug Buttons, Black (3/4")	10	1

NOTE: A - Includes items 2-6
 B - Includes items 8-11
 C - Includes item 13
 D - Includes Sector Block, Screw and Washer

Front Rigging Hangers and Hardware

Pin & Sector Style For ADJASBA/ADJRECL (16"-20" Wide)



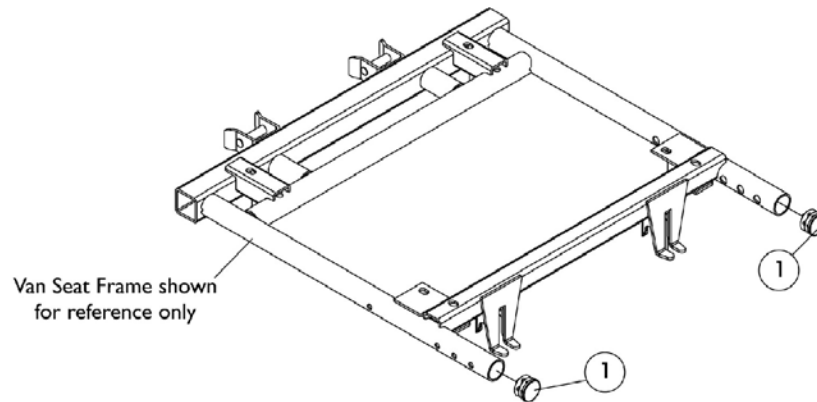
Front Rigging Hangers and Hardware

Pin & Sector Style For ADJASBA/ADJRECL (16"-20" Wide)

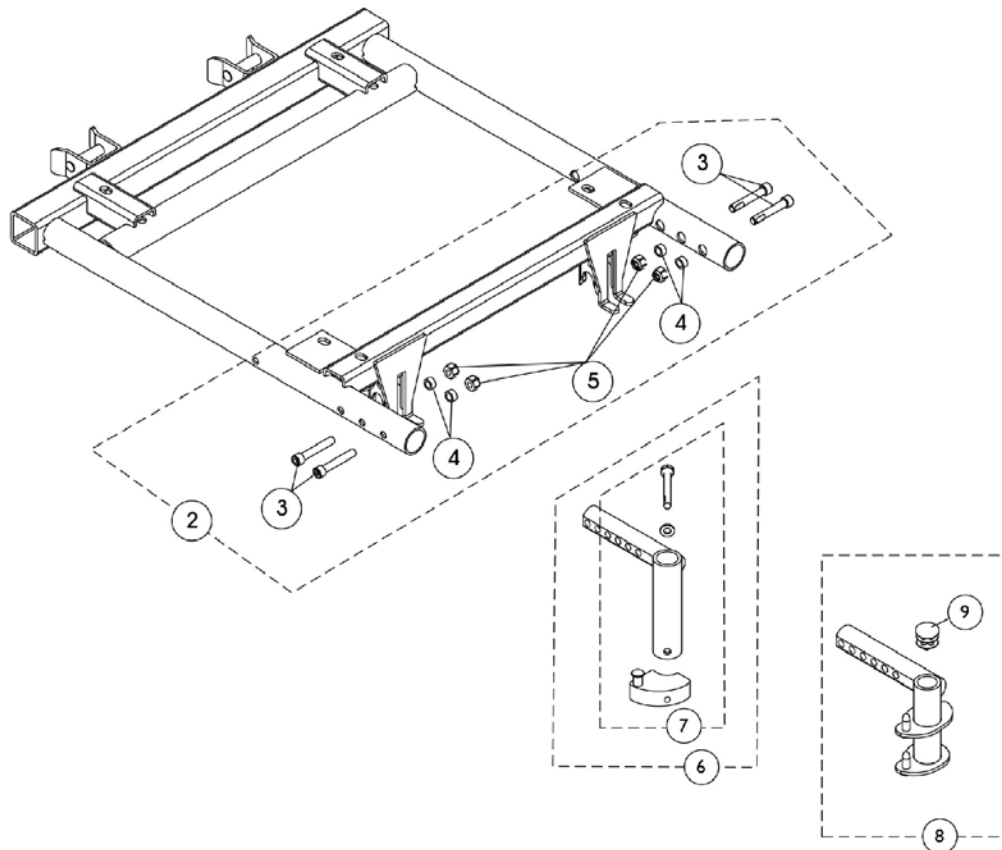
Item Number	Note	Part Number	Description	Quantity Per	
				Package	Assembly
1	A	1124723	Kit, Side Rail Cap Hardware (Pair)	1	1
2		1038379	Screw, Socket Head Cap w/ Patch (1/4-20 x 1-1/2")	1	4
3		1122618	Spacer (1/4 x 3/8 x 29/32")	1	4
4		1120286	Cap, Side Rail End	1	2
5		1029501	Plug Button, Black (1")	1	2
6		1122613	Block, Threaded	1	2
7	B	1125726	Kit, Front Rigging Hanger Mounting Hardware (Pair)	1	1
8		1038379	Screw, Socket Head Cap w/ Patch (1/4-20 x 1-1/2")	1	4
9		1047449	Spacer (1/4 x 3/8 x 3/16")	1	4
10		1120286	Cap, Side Rail End	1	2
11		1122613	Block, Threaded	1	2
12	C	1122602	Front Rigging Hanger Asbly., Sector Style - Right	1	1
12	C	1122603	Front Rigging Hanger Asbly., Sector Style - Left	1	1
13	D	1054571	Kit, Sector Block - Right	1	1
13	D	1054572	Kit, Sector Block - Left	1	1
14		1124401	Front Rigging Hanger Pin Style with Plug Button (Hemi) - Right	1	1
14		1124402	Front Rigging Hanger Pin Style with Plug Button (Hemi) - Left	1	1
15		1134426	Package, Plug Buttons, Black (3/4")	10	1

NOTE: A - Includes items 2-6
 B - Includes items 8-11
 C - Includes item 13
 D - Includes Sector Block, Screw and Washer

Front Rigging Hangers and Hardware For Van Seat TDX SC



Swingaway Front Rigging Non-Hanger Hardware
(When Front Rigging Is Excluded From Chair)



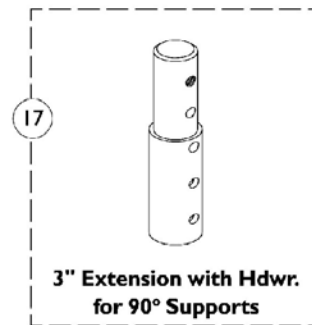
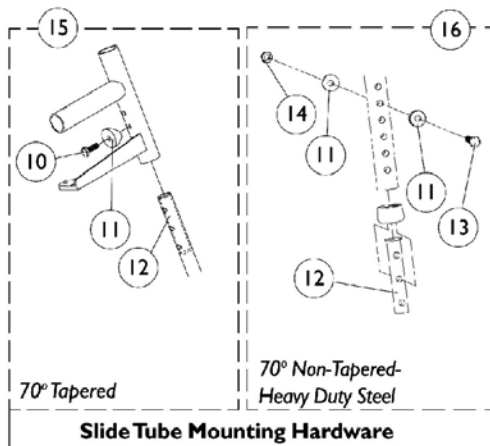
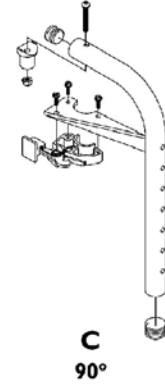
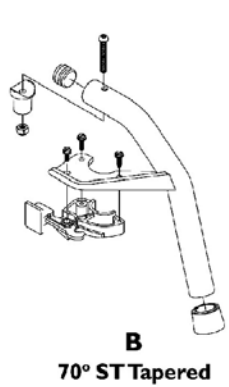
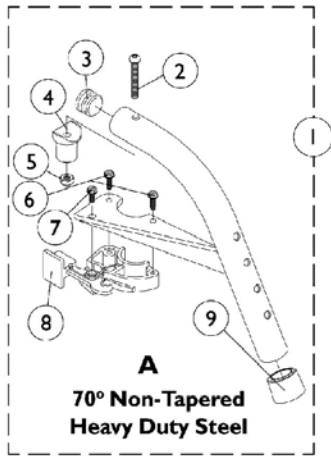
Swingaway Front Rigging Hanger Mounting Hardware
(For Sector and Pin Style riggings)

Front Rigging Hangers and Hardware For Van Seat TDX SC

Item Number	Note	Part Number	Description	Quantity Per	
				Package	Assembly
1		1134425	Package, Plug Buttons, Black (1")	10	1
2	A	1148228	Kit, Front Rigging Hanger Hardware For Van Seat	2	1
3		1038379	Screw, Socket Head Cap w/ Patch (1/4-20 x 1-1/2")	1	4
4		1047449	Spacer (1/4 x 3/8 x 3/16")	1	4
5		1025736	Locknut (1/4-20)	1	4
6	B	1143416	Front Rigging Hanger Asbly. (Sector Style) - Right	1	1
6	B	1143417	Front Rigging Hanger Asbly. (Sector Style) - Left	1	1
7	C	1054571	Kit, Sector Block - Right	1	1
7	C	1054572	Kit, Sector Block - Left	1	1
8	D	1143783	Front Rigging Hanger w/ Plug Button (Hemi) - Right	1	1
8	D	1143784	Front Rigging Hanger w/ Plug Button (Hemi) - Left	1	1
9		1134426	Package, Plug Buttons, Black (3/4")	10	1

NOTE: A - Includes items 3-5
 B - Includes item 8
 C - Includes Sector Block, Screw and Washer
 D - Includes item 9 Plug Button

Footrest Support Assemblies Sector Style

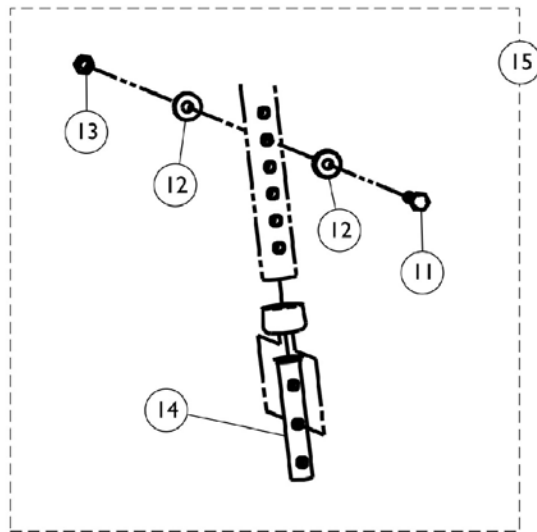
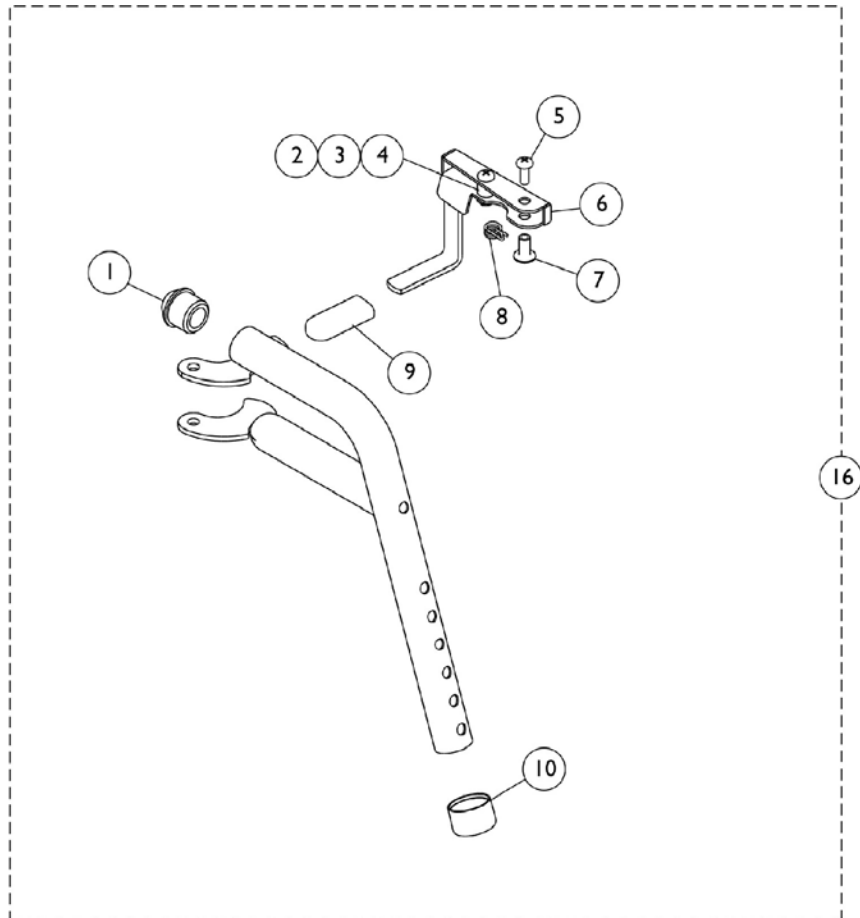


Footrest Support Assemblies Sector Style

Item Number	Note	Part Number	Description	Quantity Per	
				Package	Assembly
1	A,C,F	8881053149	Footrest Support Assembly, 70° Non-Tapered Heavy Duty, Sector, Color - Right	1	1
1	A,C,F	8881053148	Footrest Support Assembly, 70° Non-Tapered Heavy Duty, Sector, Color - Left	1	1
1	A,D,F	8881026996	Footrest Support Assembly, 70° Tapered, Sector, Color - Right	1	1
1	A,D,F	8881026997	Footrest Support Assembly, 70° Tapered, Sector, Color - Left	1	1
1	A,F,I	8881062596	Footrest Support Assembly, 90°, Sector, Color - Right	1	1
1	A,F,I	8881062597	Footrest Support Assembly, 90°, Sector, Color - Left	1	1
2		1022831	Screw, Socket Button Head (1/4-20 x 1-7/8")	1	1
3		1029501	Plug Button, Black (1")	1	1
4		1017148	Plug, Pivot	1	1
5		1025736	Locknut (1/4-20)	1	1
6		1025451	Screw, Slotted Hex Washer Head (#10-32 x 5/8")	1	2
7		1017423	Screw, Slotted Hex Washer Head (#10-32 x 1/2")	1	1
8		1025454	Latch Housing - Right	1	1
8		1025455	Latch Housing - Left	1	1
9		1026124	Anti-Rattle Collar	1	1
10		1045267	Screw, Hex Head (1/4-20 x 3/4")	1	1
11	B	1026099	Spacer, Coved (1/4 x 11/16 x 1/2")	1	2
12		1020534	Insert, Threaded	1	1
13		1070759	Screw, Hex Head (1/4-20 x 1-1/2")	1	1
14		1044214	Nut, Hex with Nylon Cap (1/4-20)	1	1
15	G	1026703	Kit, Pivot/Slide Tube Mounting Hardware (Pair)	1	1
16	H	1057846	Kit, Pivot/Slide Tube Mounting Hardware (Pair)	1	1
17	A	8881038231	Kit, 3" Extension w/ Hardware (Pair)	1	1
	E	1026987	Impact Guard, 8" Long	1	1

NOTE: A - Specify frame color when ordering. See page titled "Frame Finishes and Touch-Up Paints."
 B - Item 16 takes 4
 C - See Image "A"
 D - See Image "B"
 E - Not Shown
 F - Includes items 2-9
 G - Includes items 10-12
 H - Includes items 11-14
 I - See Image "C"

PHW93 (Hemi) Footrest Supports Black (Pin Style)

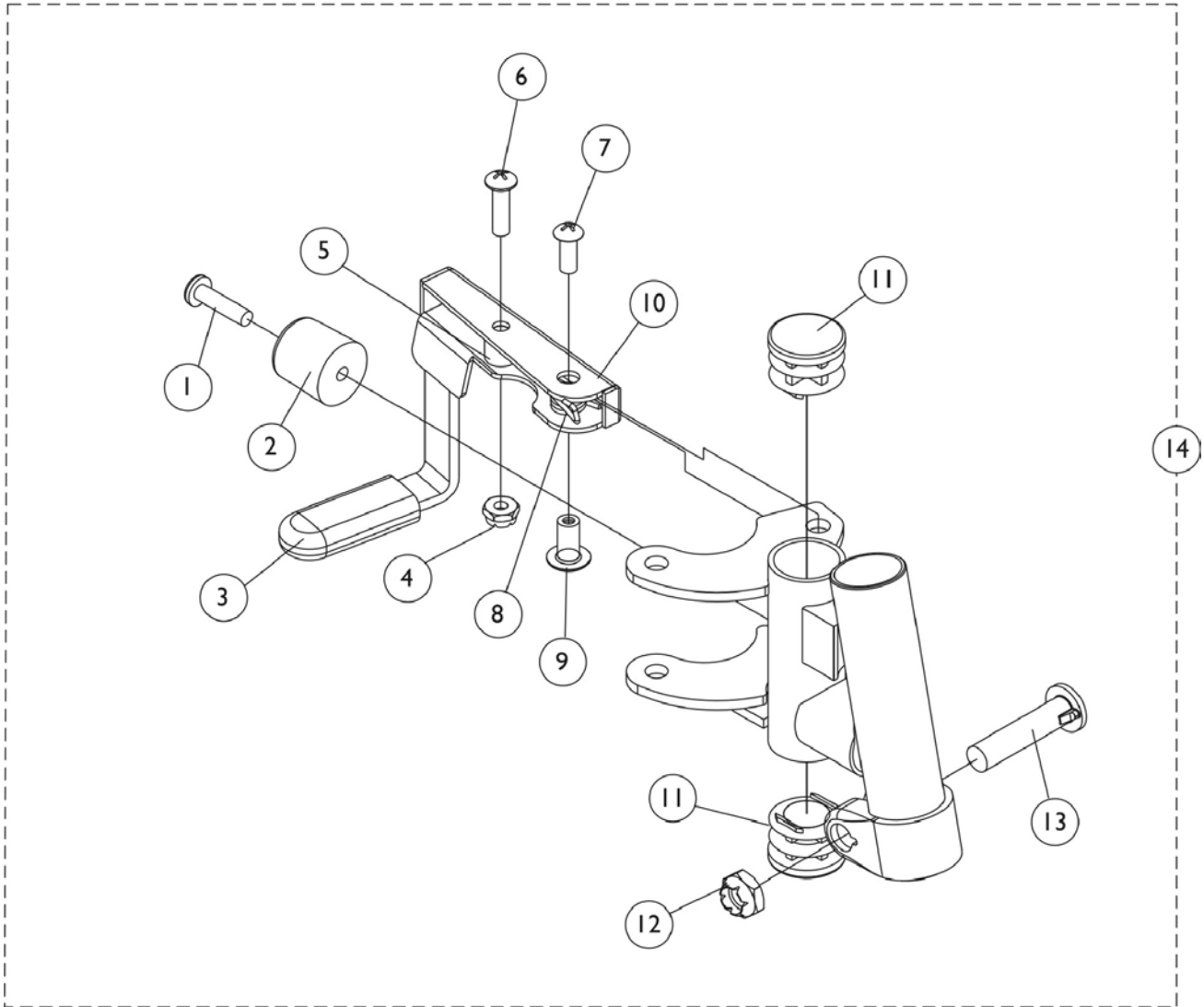


PHW93 (Hemi) Footrest Supports Black (Pin Style)

Item Number	Note	Part Number	Description	Quantity Per	
				Package	Assembly
1		1020719	Anti-Rattle, Black	1	1
2		1025716	Screw, Phillips Pan Head (#10-32 x 11/16")	1	1
3		47565X057	Bushing (7/32 x 3/8 x 11/32")	1	1
4		1025735	Locknut (#10-32)	1	1
5		1026114	Screw, Phillips Pan Head (#10-32 x 1/2")	1	1
6	A	1114749	Release Handle (Black) - Right	1	1
6	A	1114750	Release Handle (Black) - Left	1	1
7		1028846	Rivnut (#10-32)	1	1
8		1028707	Spring, Release - Right	1	1
8		1028708	Spring, Release - Left	1	1
9		1006490	Tip, Plastic, Black	1	1
10		15680X012	Collar, Anti-Rattle (7/8")	1	1
11		1070759	Screw, Hex Head (1/4-20 x 1-1/2")	1	1
12		1026099	Spacer, Coved (1/4 x 11/16 x 1/2")	1	2
13		1044214	Nut, Hex with Nylon Cap (1/4-20)	1	1
14		1020534	Insert, Threaded	1	1
15	C	1074143	Kit, Slide Tube Mounting Hardware	1	1
16	B	1114755	Footrest Support Assembly, Hemi, Black - Right	1	1
16	B	1114756	Footrest Support Assembly, Hemi, Black - Left	1	1
NOTE: A - Includes items 2-4 B - Includes items 1-10 C - Includes items 11-14					

PH93M2 (Hemi) Footrest Supports

Black (Pin Style)

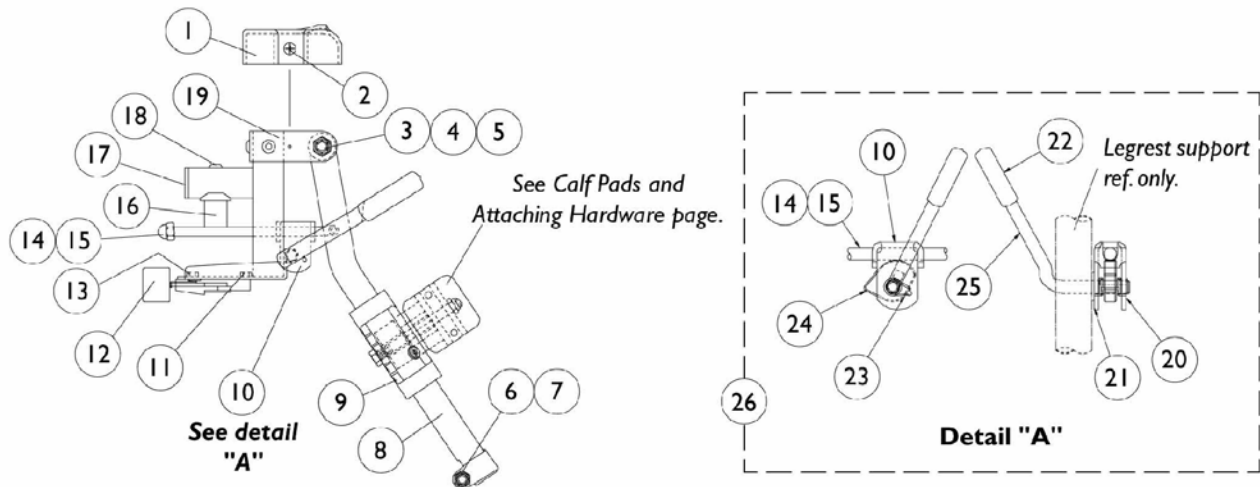


PH93M2 (Hemi) Footrest Supports Black (Pin Style)

Item Number	Note	Part Number	Description	Quantity Per	
				Package	Assembly
1		1030979	Screw, Phillips Pan Head Tap (#10-32 x 3/4")	1	1
2		1022874	Bumper	1	1
3		1006490	Tip, Plastic, Black	1	1
4		60279X003	Locknut (#10-32)	1	1
5		47565X057	Bushing (7/32 x 3/8 x 11/32")	1	1
6		40163X008	Screw, Phillips Pan Head (#10-32 x 11/16")	1	1
7		40163X002	Screw, Phillips Round Head (#10-32 x 1/2")	1	1
8		1008935	Spring, Release - Right	1	1
8		1008936	Spring, Release - Left	1	1
9		67005X000	Rivnut (#10-32)	1	1
10		1114745	Handle, Release - Right	1	1
10		1114746	Handle, Release - Left	1	1
11		1027095	Plug Button, Black (7/8")	1	2
12		60264X001	Locknut (5/16-24)	1	1
13		11232X009	Screw, Lug (5/16-24 x 1-3/8")	1	1
14	A	1122964	Footrest Support Assembly, Hemi, Black - Right	1	1
14	A	1122965	Footrest Support Assembly, Hemi, Black - Left	1	1

NOTE: A - Includes items 1-13

AT5544 Legrest Supports (Sector Style) 16" and Wider Chairs

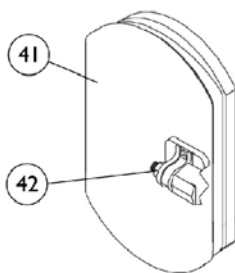
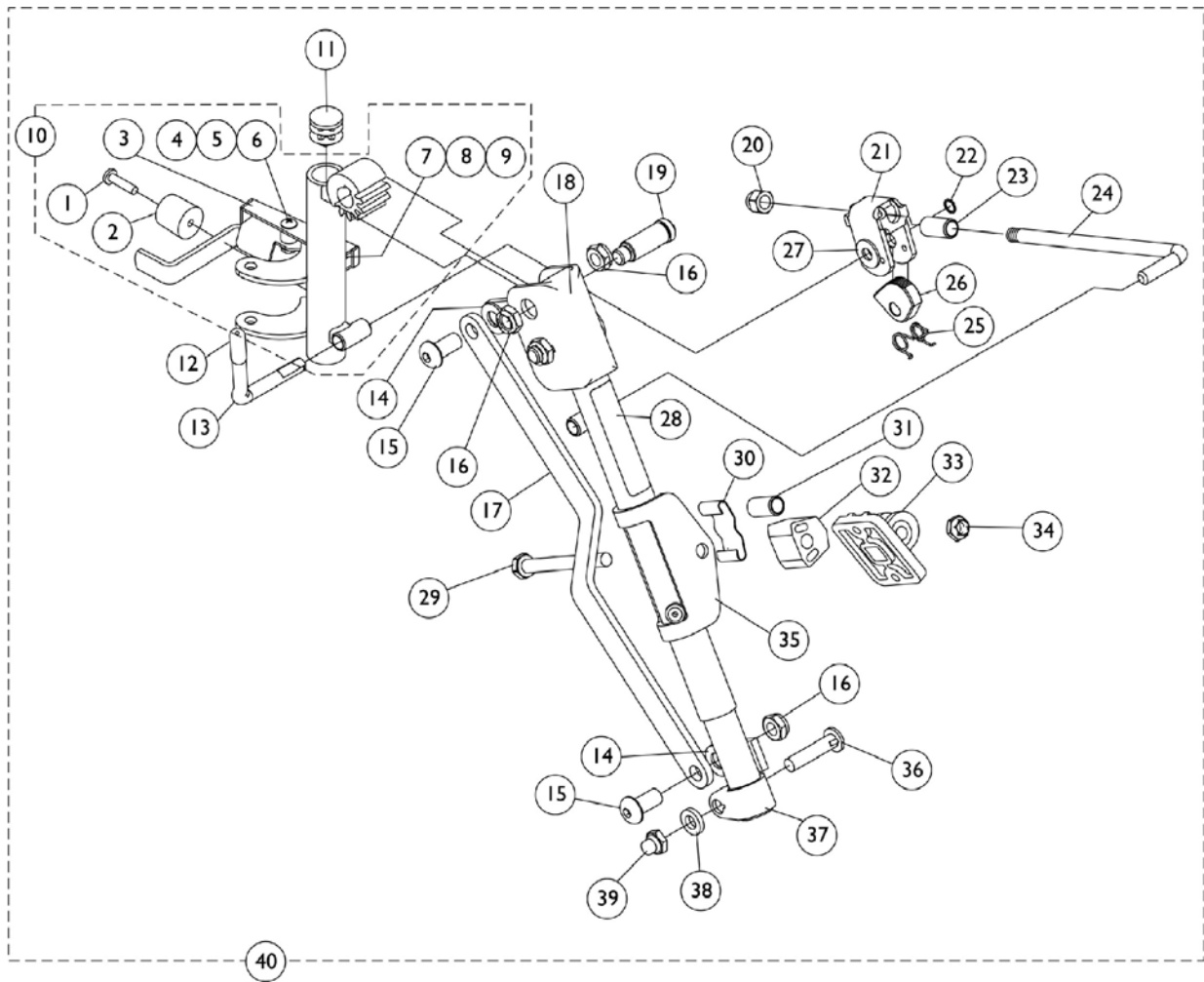


AT5544 Legrest Supports (Sector Style) 16" and Wider Chairs

Item Number	Note	Part Number	Description	Quantity Per	
				Package	Assembly
1		1017187	Cover, Top	1	1
2		1028529	Screw, Phillips Pan Head (#8-32 x 3/8")	1	2
3		40363X000	Hex Nut (3/8"-16)	1	1
4		1058636	Washer, Nylon (25/64 x 7/8 x 1/32")	1	2
5		11919X000	Screw, Truss Head (3/8-16 x 1-1/2")	1	1
6		1025730	Locknut (5/16-24)	1	1
7		1026030	Screw, Lug (5/16-24 x 1-3/8")	1	1
8		1043556	Tube, Elevating Support (Black) - Right	1	1
8		1043557	Tube, Elevating Support (Black) - Left	1	1
8	A	8881048851	Tube, Elevating Support (Color) - Right	1	1
8	A	8881048852	Tube, Elevating Support (Color) - Left	1	1
9		1032266	Bracket, Legrest Pad Mounting	1	1
10		04528X002	Bracket, Release (Chrome)	1	1
11		1025451	Screw, Slotted Hex Washer Head (#10-32 x 5/8")	1	2
12		1025454	Latch Housing - Right	1	1
12		1025455	Latch Housing - Left	1	1
13		1017423	Screw, Slotted Hex Washer Head (#10-32 x 1/2")	1	1
14		42326X001	Bar, Ratchet	1	1
15		10261X000	Acorn Nut (5/16"-24)	1	1
16		1017148	Plug, Pivot	1	1
17		1029501	Plug Button, Black (1")	1	1
18		1001762	Screw, Socket Button Head (1/4-20 x 1-3/4")	1	1
19	A	8881045289	Bracket, Legrest Support - Right	1	1
19	A	8881045290	Bracket, Legrest Support - Left	1	1
20		1040831	Snap Ring	1	1
21		1013519	Washer, Nylon (5/16 x 11/16 x 1/16")	1	1
22		1040060	Tip, Black Plastic	1	1
23		1037485	Spring, Release	1	1
24		1037125	Cam, Legrest	1	1
25		1037126	Handle, Release	1	1
26	B	1096974	Kit, Ratchet Elevating Legrest	2	1
	C	1096943	Instruction Sheet, Ratchet Kit	1	1
	A,C	8881045291	Legrest Support Assembly, Sector, Color - Right	1	1
	A,C	8881045292	Legrest Support Assembly, Sector, Color - Left	1	1

NOTE: A - Specify frame color when ordering. See page titled "Frame Finishes and Touch-Up Paints".
 B - Includes items 10, 14, 15 and 20-25
 C - Not Shown

PHAL4A (Hemi) Articulating Legrest Supports Chrome



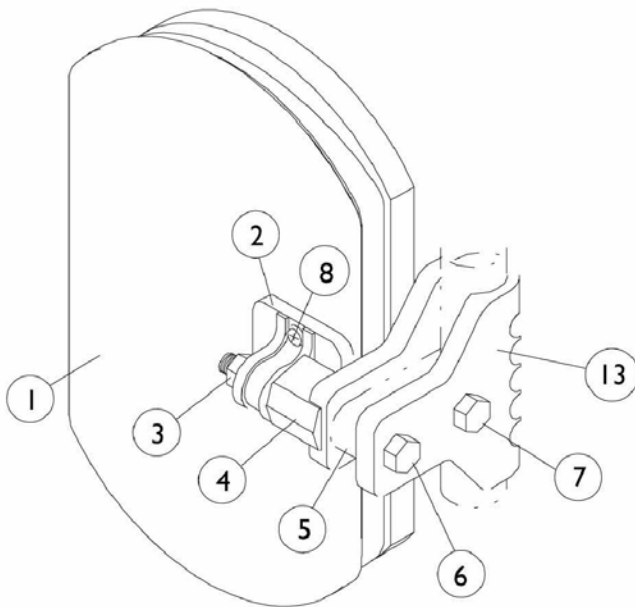
PHAL4A (Hemi) Articulating Legrest Supports Chrome

Item Number	Note	Part Number	Description	Quantity Per	
				Package	Assembly
1		1030979	Screw, Phillips Pan Head Tap (#10-32 x 3/4")	1	1
2		1022874	Bumper	1	1
3		1023428	Handle, Release, Chrome - Right	1	1
3		1023431	Handle, Release, Chrome - Left	1	1
4		47565X057	Bushing (7/32 x 3/8 x 11/32")	1	1
5		60279X003	Locknut (#10-32)	1	1
6		40163X008	Screw, Phillips Pan Head (#10-32 x 11/16")	1	1
7		1008935	Spring, Release - Right	1	1
7		1008936	Spring, Release - Left	1	1
8		67005X000	Rivnut (#10-32)	1	1
9		40163X002	Screw, Phillips Round Head (#10-32 x 1/2")	1	1
10		1023092	Legrest Support Tube Assembly, Hemi, Chrome - Right	1	1
10		1023093	Legrest Support Tube Assembly, Hemi, Chrome - Left	1	1
11		1027097	Plug Button, Black (3/4")	1	1
12		1040060	Tip, Black Plastic	1	1
13		1037126	Handle, Release	1	1
14		1049527	Washer, Nylon (3/8 x 3/4 x 1/16")	1	2
15		1022866	Screw, Socket Button Head (3/8-16 x 3/4")	1	2
16		40363X000	Hex Nut (3/8"-16)	1	3
17		1022846	Bar, Link, Chrome	1	1
18		1022877	Tube Support and Drive Link - Right	1	1
18		1022878	Tube Support and Drive Link - Left	1	1
19		1022854	Screw, Slotted Head Shoulder (1/2 x 1-1/8")	1	1
20		10261X000	Acorn Nut (5/16"-24)	1	1
21		04528X002	Bracket, Release (Chrome)	1	1
22		1040831	Snap Ring	1	1
23		47328X003	Bushing, Pivot (5/16 x 7/16 x 7/8")	1	1
24		42326X004	Bar, Ratchet - Right/Left	1	1
25		1037485	Spring, Release	1	1
26		1037125	Cam, Legrest	1	1
27		1013519	Washer, Nylon (5/16 x 11/16 x 1/16")	1	1
28		1024911	Decal, Smartleg	1	1
29		1014807	Screw, Hex Head (5/16-24 x 3-1/4")	1	1
30		48823X008	Spring, Leaf	1	1
31		47328X003	Bushing, Pivot (5/16 x 7/16 x 7/8")	1	1
32		1025133	Spacer, Legrest Pad	1	1
33		04526X019	Plate, Legrest Pad	1	1
34		60264X001	Locknut (5/16-24)	1	1
35		1025104	Bracket, Legrest (Chrome)	1	1
36		11232X009	Screw, Lug (5/16-24 x 1-3/8")	1	1
37		1022848	Slide Tube, Articulating (Chrome) - Right	1	1
37		1022849	Slide Tube, Articulating (Chrome) - Left	1	1

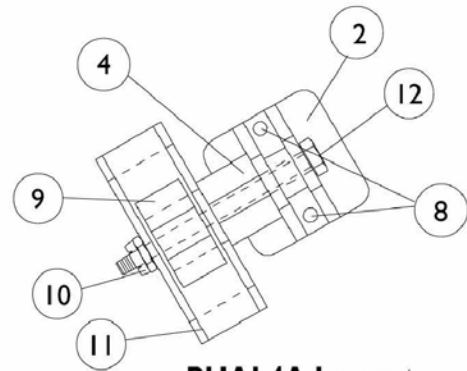
PHAL4A (Hemi) Articulating Legrest Supports Chrome

Item Number	Note	Part Number	Description	Quantity Per	
				Package	Assembly
38		1027377	Washer (#20)	1	1
39		1107321	Nut, Low Cap (5/16"-24)	1	1
40	B	1031437	Legrest Support Assembly, Articulating, Hemi, Chrome - Right	1	1
40	B	1031438	Legrest Support Assembly, Articulating, Hemi, Chrome - Left	1	1
41	A,C	8881091764	Pad, Legrest Vinyl - Right/Left	1	1
41		04529X003	Calf Pad w/Cover Black 14-15" without Hardware - Right	1	1
41		04529X004	Calf Pad w/Cover Black 14-15" without Hardware - Left	1	1
42		1068649	Screws, Phillips Head (#10-32 x 11/16")	2	1
NOTE: A - Specify upholstery color U67 black when ordering. B - Includes items 1-39 C - For 16" and wider seats					

Calf Pads and Attaching Hardware



AT5544 Legrest.



PHAL4A Legrest

Calf Pads and Attaching Hardware

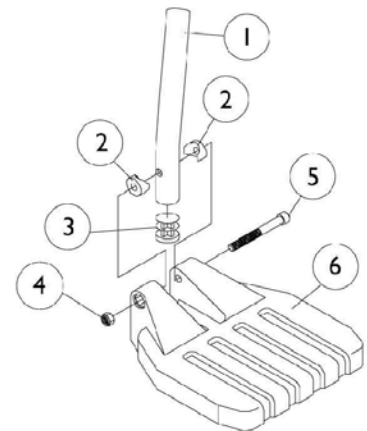
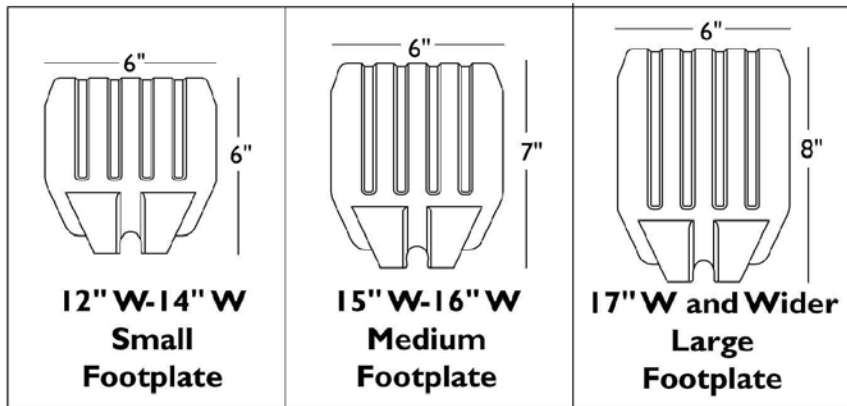
Item Number	Note	Part Number	Description	Quantity Per	
				Package	Assembly
1	A	8881091759	Pad w/Cover and Screws, Legrest Vinyl (Pair)	2	1
1	A	8881091764	Pad, Legrest Vinyl - Right/Left	1	1
1	A,B	88804529X003	Pad, Legrest Vinyl - Right	1	1
1	A,B	88804529X004	Pad, Legrest Vinyl - Left	1	1
2		04526X019	Plate, Legrest Pad	1	1
3		1025730	Locknut (5/16-24)	1	1
4		1025133	Spacer, Legrest Pad	1	1
5		1032267	Spacer, Legrest Pad Mounting	1	1
6		1037110	Screw, Hex Head (5/16-24 x 3-1/2")	1	1
7		1028514	Screw, Hex Head (5/16-24 x 1-1/2")	1	1
8		1066591	Screws, Phillips Head (#10-32 x 11/16")	2	1
9		48823X008	Spring, Leaf	1	1
10		60264X001	Locknut (5/16-24)	1	1
11		1025104	Bracket, Legrest (Chrome)	1	1
12		1014807	Screw, Hex Head (5/16-24 x 3-1/4")	1	1
13		1032266	Bracket, Legrest Pad Mounting	1	1

NOTE: A - Specify upholstery color. See page titled "Frame Finishes, Touch-Up Paints and Upholstery Options".
 B - 14"-15" Wide Chairs

Pivot/Slide Tube and 1651 Composite Footplates

NOTE: Heel Loops are not included. See Footrest and Legrest Accessories.

NOTE: For complete pivot/slide tube and footplate assemblies, see Front Riggings Reference Charts



Pivot/Slide Tube and 1651 Composite Footplates

NOTE: Heel Loops are not included. See Footrest and Legrest Accessories.

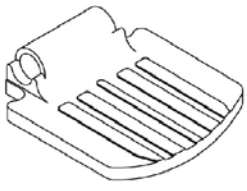
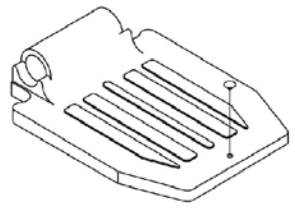
NOTE: For complete pivot/slide tube and footplate assemblies, see Front Riggings Reference Charts

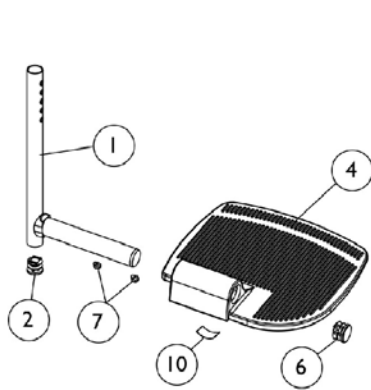
Item Number	Note	Part Number	Description	Quantity Per	
				Package	Assembly
1		1057852	Pivot/Slide Tube, Curved End (9-7/8") (Steel)	1	1
1		1057854	Pivot/Slide Tube, Curved End 2" Longer (Steel)	1	1
1		1058418	Pivot/Slide Tube, Curved End 4" Longer (Steel)	1	1
2		1025457	Spacer, Coved (1/4 x 3/4 x 11/32")	1	2
3		1027097	Plug Button, Black (3/4")	1	1
4		1025195	Locknut (1/4-20)	1	1
5		60285X006	Screw, Socket Head Cap (1/4-20 x 2-1/4")	1	1
6	A	1026879	Footplate, Composite - Small (6" W x 6" L)	1	1
6	B	1026880	Footplate, Composite - Medium (7" W x 6" L)	1	1
6	C	1026881	Footplate, Composite - Large (8" W x 6" L)	1	1
6	D	1026879	Footplate, Composite - Small (6" W x 6" L)	1	1
6	E	1026880	Footplate, Composite - Medium (7" W x 6" L)	1	1
6	F	1026881	Footplate, Composite - Large (8" W x 6" L)	1	1
NOTE: A - 12"-14" Wide B - 15"-16" Wide C - 17" and Wider D - 16"-17" Wide 70 ST TAPER E - 18"-19" Wide 70 ST TAPER F - 20" and Wider 70 ST TAPER					

Pivot/Slide Tube and 1650, 1350 Aluminum Footplates

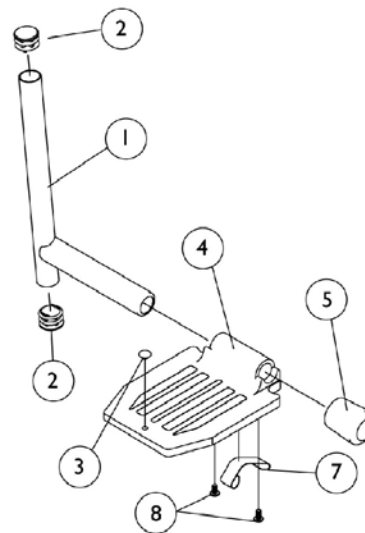
NOTE: Heel Loops are not included. See Footrest and Legrest Accessories

NOTE: For complete pivot/slide tube and footplate assemblies, see Front Riggings Reference Charts.

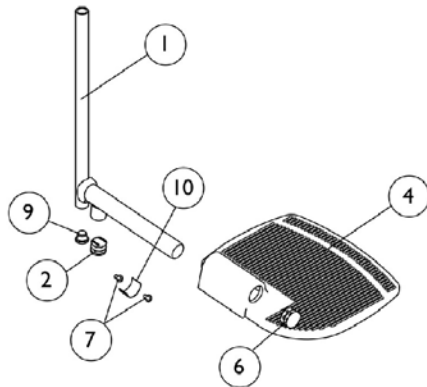
	
<p align="center">12"-15" Wide 1650 Standard Aluminum</p>	<p align="center">16" W and Wider 1650 Standard Aluminum</p>



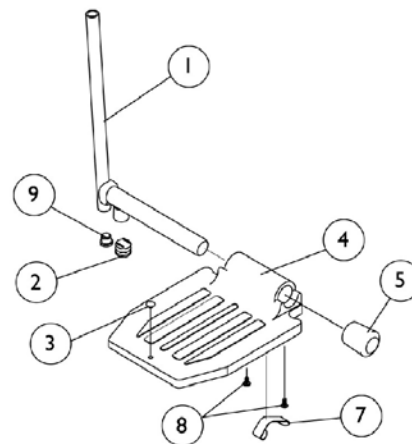
For AT5544, 70 NHD, PHW93



For PH93M2 Footrest



For PHAL4A Legrest



For PHAL4A Legrest

Pivot/Slide Tube and 1650, 1350 Aluminum Footplates

NOTE: Heel Loops are not included. See Footrest and Legrest Accessories

NOTE: For complete pivot/slide tube and footplate assemblies, see Front Riggings Reference Charts.

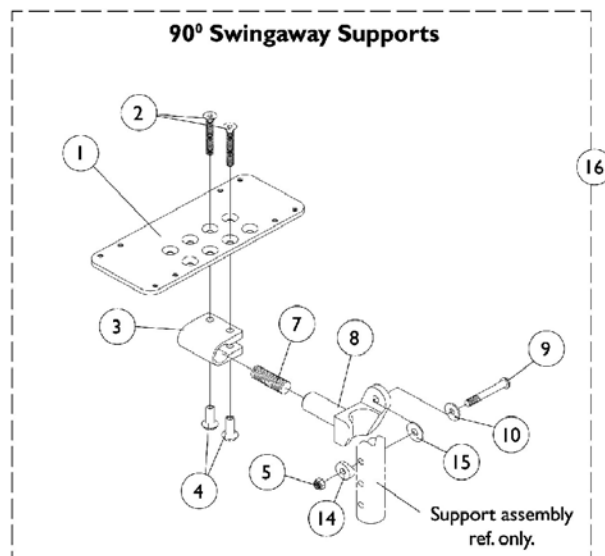
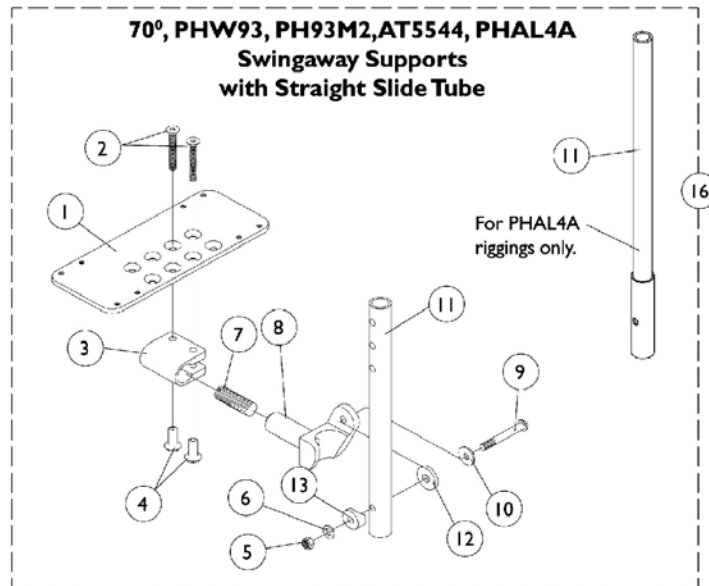
Item Number	Note	Part Number	Description	Quantity Per	
				Package	Assembly
1	A	1048834	Pivot/Slide Tube with Plug Button	1	1
1	A	1098906	Pivot/Slide Tube with Plug Button - 2" Longer	1	1
1	A	1086482	Pivot/Slide Tube with Plug Button - 4" Longer	1	1
1	B	1041526	Pivot/Slide Tube with Plug Button (Steel)	1	1
1	C	1041527	Pivot/Slide Tube with Plug Button (Black)	1	1
2		1027097	Plug Button, Black (3/4")	1	1
3		1070168	Push Plug, Footplate	1	1
4	D	44200X032	Footplate, Aluminum - Extra Small (5-3/4" W x 6" L)	1	1
4	E	44200X059	Footplate, Aluminum - Small (6-3/4" W x 6" L)	1	1
4	F	44200X027	Footplate, Aluminum - Medium (7-3/4" W x 6" L)	1	1
4		44200X025	Footplate, Aluminum - Extra Large (8" W x 8-1/2" L) - Right	1	1
4		44200X026	Footplate, Aluminum - Extra Large (8" W x 8-1/2" L) - Left	1	1
5		1016346	Cap, Tube End (7/8")	1	1
6		1027095	Plug Button, Black (7/8")	1	1
7		1006981	Spring, Leaf	1	2
8		40120X001	Screw, Phillips Pan Head (#8-32 x 3/8")	1	2
9		1018133	Plug Button, Black (5/8")	1	1
10		1036123	Spring, Leaf	1	1

NOTE: A - Extra Large footplate for AT5544, 70 NHD, PHW93,
 B - Standard Aluminum and Extra Large footplate for PHAL4A
 C - Standard Aluminum footplate for PH93M2
 D - For 12"-13" wide seats
 E - For 14"-15" wide seats
 F - For 16" and wider seats

AT5543 Adjustable Angle Footplates

90°, 70°, PHW93, AT5544, PH93M2, PHAL4A Swingaway Supports

NOTE: Heel loops are not included. See footrest and legrest accessories.



AT5543 Adjustable Angle Footplates

90°, 70°, PHW93, AT5544, PH93M2, PHAL4A Swingaway Supports

NOTE: Heel loops are not included. See footrest and legrest accessories.

Item Number	Note	Part Number	Description	Quantity Per	
				Package	Assembly
1	B	1060426	Footplate, Adjustable Angle - Medium (4-1/4" W x 8" L)	1	1
1	C	1060427	Footplate, Adjustable Angle - Large (5-1/4" W x 8" L)	1	1
1	D	1062569	Footplate, Adjustable Angle - X-Large (6-1/4" W x 8" L)	1	1
2		1029545	Screw, Socket Head Cap (1/4-20 x 3/4")	1	2
3		1058517	Clamp, Footplate	1	1
4		1082686	Nut, Hex Head (1/4-20 x 11/16")	1	2
5		1025736	Locknut (1/4-20)	1	1
6		1026907	Washer (1/4 x 1/2 x 1/16")	1	1
7		1048816	Screw, Nylon Adjustment (1/2-13 x 7/8")	1	1
8		1052102	Hinge, Footplate - Right	1	1
8		1052103	Hinge, Footplate - Left	1	1
9		1022831	Screw, Socket Button Head (1/4-20 x 1-7/8")	1	1
10		1026900	Washer (1/4 x 23/32 x 1/16")	1	1
11		1057855	Pivot/Slide Tube, Straight (9-7/8" Long - Steel)	1	1
11		1057856	Pivot/Slide Tube, Straight (11-7/8" Long - Steel)	1	1
11	A	1091745	Pivot/Slide Tube, Straight (13-7/8" Long - Steel)	1	1
11	E	1120379	Pivot/Slide Tube, Straight (9-7/8" Long - Alum.)	1	1
12		1016301	Washer, Nylon (5/16 x 7/8 x 1/8")	1	1
13		1025457	Spacer, Coved (1/4 x 3/4 x 11/32")	1	1
14		1026099	Spacer, Coved (1/4 x 11/16 x 1/2")	1	1
15		1036435	Washer, Nylon (1/4 x 7/8 x 1/32")	1	1
16		See Chart	Item #16 Pivot/ Slide Tube with Footplate Assemblies	1	1
NOTE: A - For PHAL4A only B - For 12-13" wide chairs C - For 14-15" wide chairs D - For 16" and wider chairs E - For PH93M2 only					

AT5543 Adjustable Angle Footplates

90°, 70°, PHW93, AT5544, PH93M2, PHAL4A Swingaway Supports

NOTE: Heel loops are not included. See footrest and legrest accessories.

Item #16 Pivot/ Slide Tube with Footplate Assemblies

Rigging Type	Side	12-13" W Medium Footplate	14-15" W Large Footplate	16" and Wider X- Large Footplate
90 Deg.	Right	1060436	1060438	1062570
	Left	1060437	1060439	1062571
70, PHW93, AT5544	Right	1060442	1060444	1062756
	Left	1060443	1060445	1062757
70, PHW93, AT5544 2" Longer Slide Tube	Right	N/A	1062758	1062760
	Left	N/A	1062759	1062761
PH93M2	Right	1060430	1060432	1062572
	Left	1060431	1060433	1062573
PHAL4A	Right	N/A	1091775	1091777
	Left	N/A	1091776	1091778

Footrest and Legrest Accessories

NOTE: Heel loops for Power Articulating Legrest located on Power Articulating Legrest page.

Footplate Type	Chair Width	Heel Loop Single #	Heel Loop Pair #	Heel Loop w/ Ankle Strap Single # Rt.	Heel Loop w/ Ankle Strap Single # Lt.	Heel Loop w/ Ankle Strap Pair #	Attaching Hardware Pair #
Composite Small (1651)	12-14" W or 15-17" W Tapered	1028412	1035912	1035908	1035909	1035906	1035931
Composite Medium (1651)	15-16" W or 18-19" W Tapered	1017621	1035917	1035919	1035920	1035918	1035931
Composite Large (1651)	17-22" W or 20-22" W Tapered	1017621	1035917	1035932	1035933	1035930	1035931
Standard Aluminum (1650)	14-15" W	1025234	1035905	1035908	1035909	1035906	1035907
Standard Aluminum (1650)	16-22" W	1017621	1035917	1035919	1035920	1035918	1035907
X-Large Aluminum (1350)	16-22" W	1017621	1035917	1035919	1035920	1035918	1055241

Attaching Hardware Part Numbers (Less AT5543)

Footplate Type	Part Number	Part Number Consists of
Composite (1651)	1035931	2 each Screw, PPH (1/4-20 x 2-1/4") 2 each Spacer (1/4 x 11/32 x 1-3/4") 2 each Locknut (1/4-20)
Standard Aluminum (1650)	1035907	2 each Screw, PPH (1/4-20 x 2-1/2") 2 each Spacer (1/4 x 11/32 x 1-3/4") 2 each Locknut (1/4-20)
X-Large Aluminum (1350)	1055241	2 each Screw, PPH (1/4-20 x 2-1/4") 2 each Spacer (1/4 x 11/32 x 1-3/4") 2 each Locknut (1/4-20)

Footrest and Legrest Accessories

NOTE: Heel loops for Power Articulating Legrest located on Power Articulating Legrest page.

Footrest and Legrest Accessories

NOTE: Heel loops for Power Articulating Legrest located on Power Articulating Legrest page.

Heel Loops, Heel Loops w/ Ankle Straps and Hardware (For AT5543)

Footplate Type	Part Number	Part Number Consists of
AT5543 Adj. Angle	1038245 Heel Loops w/ Hardware Adjustable Angle Footplate (Pair)	2 each Heel Loops 4 each Screw, SHC (#10-32 x 1-1/2") 4 each Spacer (1/4 x 5/16 x 1-3/32") 4 each Washer (3/16 x 7/16 x 1/16")
AT5543 Adj. Angle	1038246 Heel Loops w/ Ankle Straps & Hardware Adjustable Angle Footplate (Pair)	2 each Heel Loops w/ Ankle Straps 4 each Screw, SHC (10-32 x 1-1/2") 4 each Spacer (1/4 x 5/16 x 1-3/32") 4 each Washer (3/16 x 7/16 x 1/16")

Toe Loops (1345) and Attaching Hardware

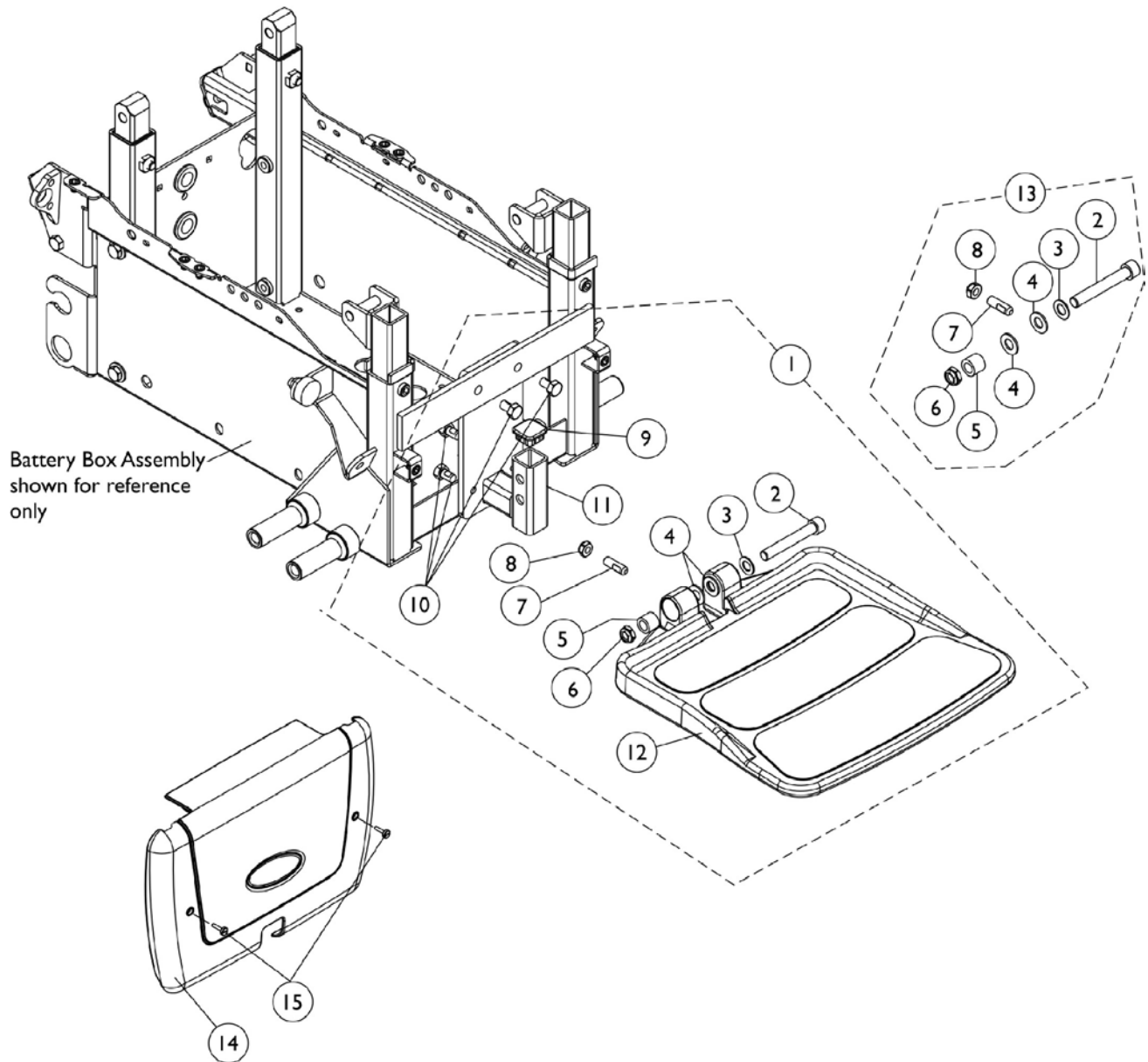
Footplate Type	Toe Loop w/o Hardware Single #	Toe Loop w/o Hardware Pair #	Attaching Hardware Part Number	Attaching Hardware Consists of
1651, 1650, 1350, Footplates	04572X025	1037087	1037089	4 each Screw, PPH (#10-32 x 7/8") 4 each Washer (1/4 x 3/4 x 3/32") 4 each Locknut (#10-32)
AT5543 Footplates	04572X025	1037087	1104749	4 each Screw, PPH (10-32 x 1/2") 4 each Washer (1/4 x 3/4 x 3/32")

Footrest and Legrest Accessories

NOTE: Heel loops for Power Articulating Legrest located on Power Articulating Legrest page.

Item Number	Note	Part Number	Description	Quantity Per	
				Package	Assembly
	A	1032243	Calf Strap w/ Hook and Loop (36" Long)	1	1
	A,B	1032214	H-Strap, 24" Long	1	1
	C,A	1032215	H-Strap, 26" Long	1	1
	D,A	1032216	H-Strap, 31" Long	1	1
	A	1026987	Impact Guard, 8" Long	1	2
	A	See Chart	Heel Loops and Hardware (Less AT5543)	1	1
	A	See Chart	Attaching Hardware Part Numbers	1	1
	A	See Chart	Heel Loops, Heel Loops w/ Ankle Straps and Hardware AT5543	1	1
	A	See Chart	Toe Loops and Hardware	1	1
NOTE: A - Not Shown B - 12-14" wide seats C - 15-16" wide seats D - 17" and wider seats					

90FB Flip-Up Removable Footboard Assembly For TDX SC Van Seat

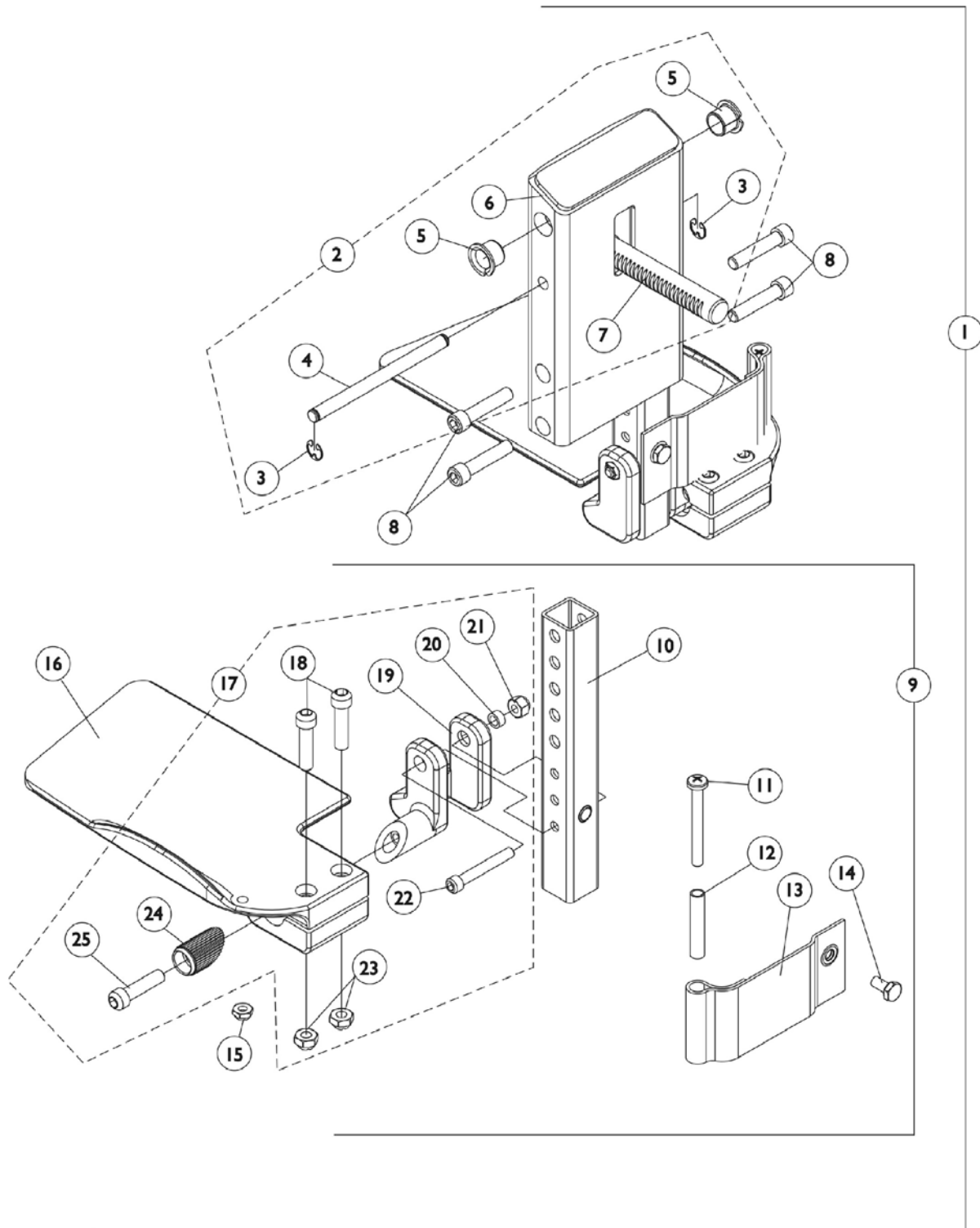


90FB Flip-Up Removable Footboard Assembly For TDX SC Van Seat

Item Number	Note	Part Number	Description	Quantity Per	
				Package	Assembly
1	A	1151904	Kit, 90FB Footboard Assembly	1	1
2		1106223	Screw, Socket Head (3/8-16 x 2-1/2")	1	1
3		1065214	Washer, Flat (3/8 x 11/16 x 1/16")	1	1
4		1049527	Washer, Nylon (3/8 x 3/4 x 1/16")	1	2
5		1105039	Bushing (3/8 x 5/8 x 1/2")	1	1
6		1028486	Locknut, Low Profile (3/8-16)	1	1
7		1108457	Screw, Socket Set Flat (5/16-18 x 1")	1	1
8		1028769	Locknut (5/16-18)	1	1
9		1105038	Cap, Tube (1" Square)	1	1
10		1061922	Screw, Hex Head Cap w/ Patch (5/16-18 x 1/2")	1	4
11		1149252	Bracket, Footboard Mounting	1	1
12		1114311	Footboard w/ Cover (11-1/4" Wide x 11-1/2" Long)	1	1
12		1114311	Footboard w/ Cover (11-1/4" Wide x 11-1/2" Long)	1	1
13	B	1147134	Kit, Footboard Mounting Hardware	1	1
2		1106223	Screw, Socket Head (3/8-16 x 2-1/2")	1	1
3		1065214	Washer, Flat (3/8 x 11/16 x 1/16")	1	1
4		1049527	Washer, Nylon (3/8 x 3/4 x 1/16")	1	2
5		1105039	Bushing (3/8 x 5/8 x 1/2")	1	1
6		1028486	Locknut, Low Profile (3/8-16)	1	1
7		1108457	Screw, Socket Set Flat (5/16-18 x 1")	1	1
8		1028769	Locknut (5/16-18)	1	1
14		8881151621	Shroud with Decal, Notched Front, Color	1	1
15		1151615	Screw, Thumb (10-32 x 7/8")	1	2
15		1152728	Package, Screw, Thumb (10-32 x 7/8")	10	1
	C	1029501	Plug Button, Black (1")	1	2
	C	1134425	Package, Plug Buttons, Black (1")	10	1

NOTE: A - Includes items 2-12. When ordering a 90FB Footboard in the field for the first time, item numbers 14, 15 and 2 ea. of part # 1029501 Plug Buttons for the Van Seat Frame are required as well.
B - Includes items 2-8
C - Not Shown. Plug Buttons are used for the Van Seat Frame when converting to a 90FB Footboard for the first time in the field

Front Rigging - Center Mount Rigging CTMT-FJ (CTMT-FJ = 9-1/4" - 12" Range)

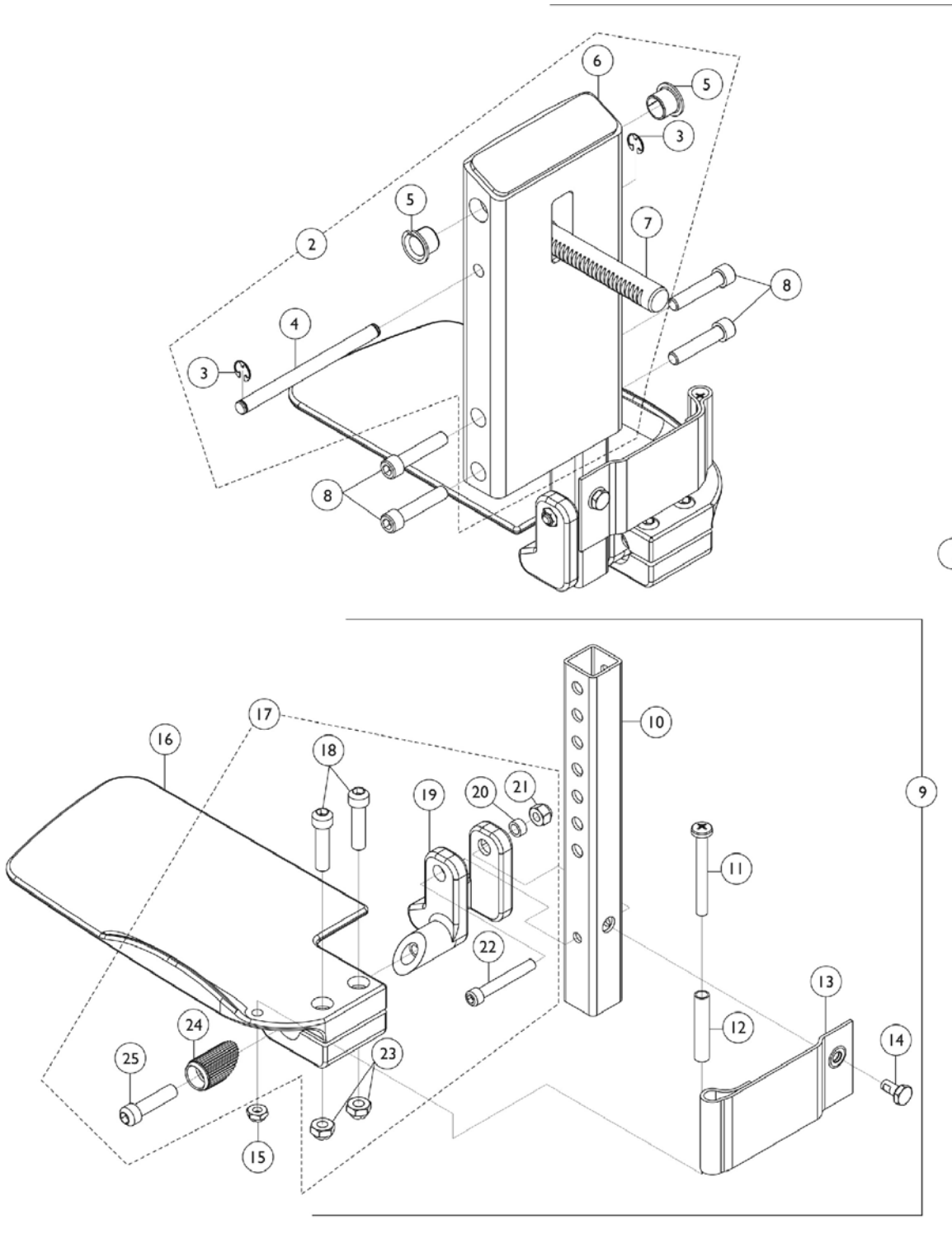


Front Rigging - Center Mount Rigging CTMT-FJ (CTMT-FJ = 9-1/4" - 12" Range)

Item Number	Note	Part Number	Description	Quantity Per	
				Package	Assembly
1	A	1121990	Center Mount Rigging Assembly, Junior (CTMTJ/CTMT-FJ) ASBA/ADJASBA (9-1/4 - 12" Range)	1	1
2	B	1123021	Legrest Support Assembly, Center Mount, Junior, Black	1	1
3		1113376	Ring, Retainer (1/4 x 1/2 x 1/64")	1	2
4		1113373	Pin, Angle Adjustable A.S.B.A.	1	1
5		1110669	Bearing, Flanged (1/2 x 13/16 x 1/2")	1	2
6		1121984	Support, Junior Legrest (CTMTJ/CTMT-FJ)	1	1
7		1113372	Rack, Center Mount Rigging Angle Adjustable	1	1
8		1021344	Screw, Socket Head Cap (5/16-18 x 1-1/2")	1	4
9	C	1123042	Extension Tube and Footplate Assembly w/ Heel Loop, Junior - Right	1	1
9	C	1123043	Extension Tube and Footplate Assembly w/ Heel Loop, Junior - Left	1	1
10		1123044	Extension Tube, Footrest Short (CTMTJ/CTMT-FJ = 9-1/4" - 12" Range) (CTMT/CTMT-F = 12-1/4" - 15" Range) (PCTMT = 10" - 13" Range)	1	1
11		1021421	Screw, Phillips Pan Head (1/4-20 x 2-1/4")	1	2
12		1006477	Spacer (1/4 x 11/32 x 1-3/4")	1	2
13		1121996	Heel Loop, Center Mount Rigging	1	2
14		1078214	Screw, Hex Head Cap w/ Patch (1/4-20 x 1/2")	1	2
15		1025195	Locknut (1/4-20)	1	2
16		1121988	Footplate CTMTJ/CTMT-FJ (5-1/4" W x 8-13/16" L) - Right	1	1
16		1121989	Footplate CTMTJ/CTMT-FJ (5-1/4" W x 8-13/16" L) - Left	1	1
17	D	1120345	Center Mount Rigging Footplate Mounting Hardware - Right	1	1
17	D	1121123	Center Mount Rigging Footplate Mounting Hardware - Left	1	1
18		1021343	Screw, Socket Head Cap (5/16-18 x 1-1/4")	1	2
19		1113384	Hinge, Adjustable Angle - Right	1	1
19		1113385	Hinge, Adjustable Angle - Left	1	1
20		1047449	Spacer (1/4 x 3/8 x 3/16")	1	1
21		1065362	Locknut (1/4-28)	1	1
22		1096810	Screw, Socket Head (1/4-28 x 1-3/4")	1	1
23		1108122	Locknut (5/16-18)	1	2
24		1113530	Hinge Attachment	1	1
25		1021343	Screw, Socket Head Cap (5/16-18 x 1-1/4")	1	1
NOTE: A - Includes items 2, 8 & 9 B - Includes items 3-7 C - Includes items 10-16 & 17 D - Includes items 18-25					

Front Rigging - Center Mount Rigging (CTMT-F)

(CTMT-F = 12-1/4" - 15" Range)



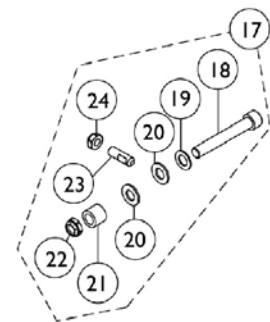
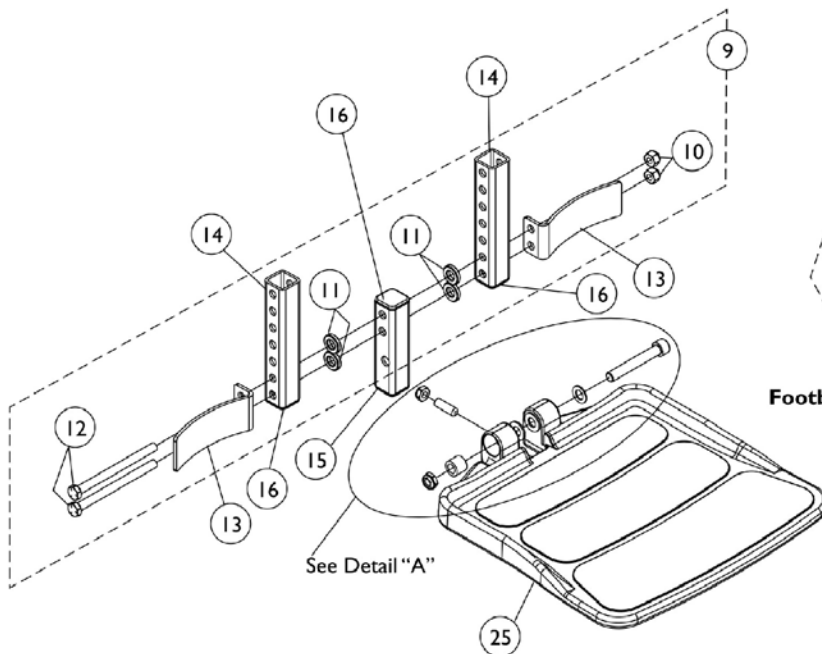
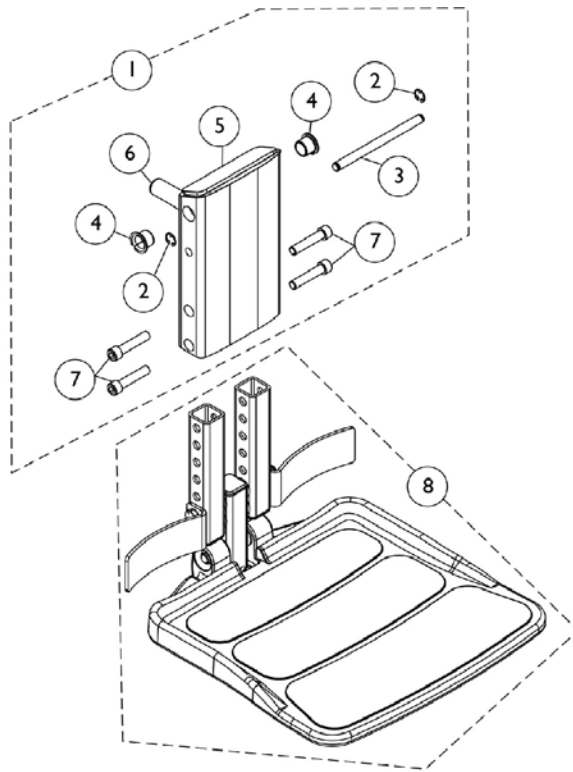
Front Rigging - Center Mount Rigging (CTMT-F) (CTMT-F = 12-1/4" - 15" Range)

Item Number	Note	Part Number	Description	Quantity Per	
				Package	Assembly
1	A	1117262	Center Mount Rigging Assembly (CTMT) (CTMT-F), ASBA/ADJASBA (12-1/4 - 15" Range)	1	1
2	B	1120346	Legrest Support Assembly, Center Mount, Black	1	1
3		1113376	Ring, Retainer (1/4 x 1/2 x 1/64")	1	2
4		1113373	Pin, Angle Adjustable A.S.B.A.	1	1
5		1110669	Bearing, Flanged (1/2 x 13/16 x 1/2")	1	2
6		1113609	Support, Center Mount Rigging Legrest	1	1
7		1113372	Rack, Center Mount Rigging Angle Adjustable	1	1
8		1021344	Screw, Socket Head Cap (5/16-18 x 1-1/2")	1	4
9	C	1123034	Extension Tube and Footplate Assembly with Heel Loop, Short - Right	1	1
9	C	1123035	Extension Tube and Footplate Assembly with Heel Loop, Short - Left	1	1
10		1123044	Extension Tube, Footrest Short (CTMTJ/CTMT-FJ = 9-1/4" - 12" Range) (CTMT/CTMT-F = 12-1/4" - 15" Range) (PCTMT = 10" - 13" Range)	1	1
11		1021421	Screw, Phillips Pan Head (1/4-20 x 2-1/4")	1	2
12		1006477	Spacer (1/4 x 11/32 x 1-3/4")	1	2
13		1121996	Heel Loop, Center Mount Rigging	1	2
14		1078214	Screw, Hex Head Cap w/ Patch (1/4-20 x 1/2")	1	2
15		1025195	Locknut (1/4-20)	1	2
16		1113606	Footplate, Center Mount Rigging - Right (5-1/4" W x 9-5/8" L)	1	1
16		1113607	Footplate, Center Mount Rigging - Left (5-1/4" W x 9-5/8" L)	1	1
17	D	1120345	Center Mount Rigging Footplate Mounting Hardware - Right	1	1
17	D	1121123	Center Mount Rigging Footplate Mounting Hardware - Left	1	1
18		1021343	Screw, Socket Head Cap (5/16-18 x 1-1/4")	1	2
19		1113384	Hinge, Adjustable Angle - Right	1	1
19		1113385	Hinge, Adjustable Angle - Left	1	1
20		1047449	Spacer (1/4 x 3/8 x 3/16")	1	1
21		1065362	Locknut (1/4-28)	1	1
22		1096810	Screw, Socket Head (1/4-28 x 1-3/4")	1	1
23		1108122	Locknut (5/16-18)	1	2
24		1113530	Hinge Attachment	1	1
25		1021343	Screw, Socket Head Cap (5/16-18 x 1-1/4")	1	1

NOTE: A - Includes items 2, 8 & 9
B - Includes items 3-7
C - Includes items 10-16 & 17
D - Includes items 18-25

Front Rigging - Center Mount Rigging (CTMT-FJ with CTMTFB One PC Flip-Up Footboard)

(CTMT-FJ = 9-1/4"-12" Range)



Detail "A"
Footboard Mounting Hardware

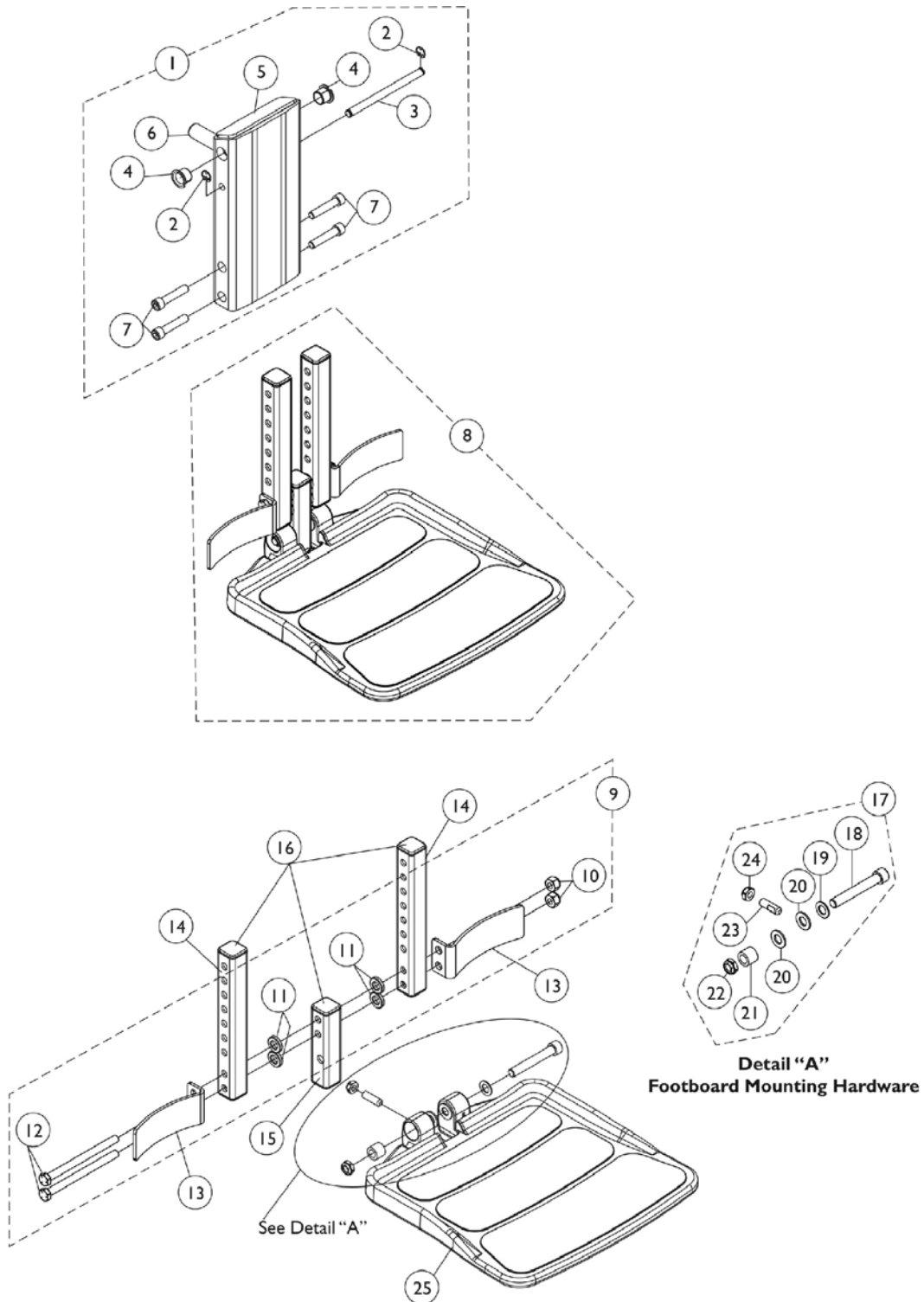
Front Rigging - Center Mount Rigging (CTMT-FJ with CTMTFB One PC Flip-Up Footboard) (CTMT-FJ = 9-1/4"-12" Range)

Item Number	Note	Part Number	Description	Quantity Per	
				Package	Assembly
1	A	1154209	Legrest Support Assembly, Center Mount Rigging	1	1
2		1113376	Ring, Retainer (1/4 x 1/2 x 1/64")	1	2
3		1113373	Pin, Angle Adjustable A.S.B.A.	1	1
4		1110669	Bearing, Flanged (1/2 x 13/16 x 1/2")	1	2
5		1121984	Support, Junior Legrest (CTMTJ/CTMT-FJ)	1	1
6		1113372	Rack, Center Mount Rigging Angle Adjustable	1	1
7		1021344	Screw, Socket Head Cap (5/16-18 x 1-1/2")	1	4
7		1021344	Screw, Socket Head Cap (5/16-18 x 1-1/2")	1	4
8	B	1154208	Footboard Assembly, CTMTFB (For CTMT-FJ 9-1/4"-12" Range)	1	1
9	C	1144608	Kit, Heel Stop and Extension Tube Mounting Hardware	1	1
10		1026158	Locknut (5/16-18)	1	2
11		1124677	Bushing, Actuator Motor (3/8 x 3/4 x 5/32")	1	4
12		1148710	Screw, Hex Head (5/16-18 x 4")	1	2
13		1153789	Bracket, Heel Stop	1	2
14		1154108	Tube, Extension w/ Cap	1	2
15	D	1144607	Tube, Vertical Support w/ Caps	1	1
16		1144609	Package, End Caps (1" Square)	10	1
17	E	1147134	Kit, Footboard Mounting Hardware	1	1
18		1106223	Screw, Socket Head (3/8-16 x 2-1/2")	1	1
19		1065214	Washer, Flat (3/8 x 11/16 x 1/16")	1	1
20		1049527	Washer, Nylon (3/8 x 3/4 x 1/16")	1	2
21		1105039	Bushing (3/8 x 5/8 x 1/2")	1	1
22		1028486	Locknut, Low Profile (3/8-16)	1	1
23		1108457	Screw, Socket Set Flat (5/16-18 x 1")	1	1
24		1028769	Locknut (5/16-18)	1	1
25		1114311	Footboard w/ Cover (11-1/4" Wide x 11-1/2" Long)	1	1

NOTE: A - Includes items 2-7
B - Includes items 9, 13, 14, 15, 17 and 25
C - Includes items 10-12
D - Vertical Support Tube includes Tube Caps at both ends
E - Includes items 18-24

Front Rigging - Center Mount Rigging (CTMT-F with CTMTFB One PC Flip-Up Footboard)

(CTMT-F = 12-1/4" - 15" Range)

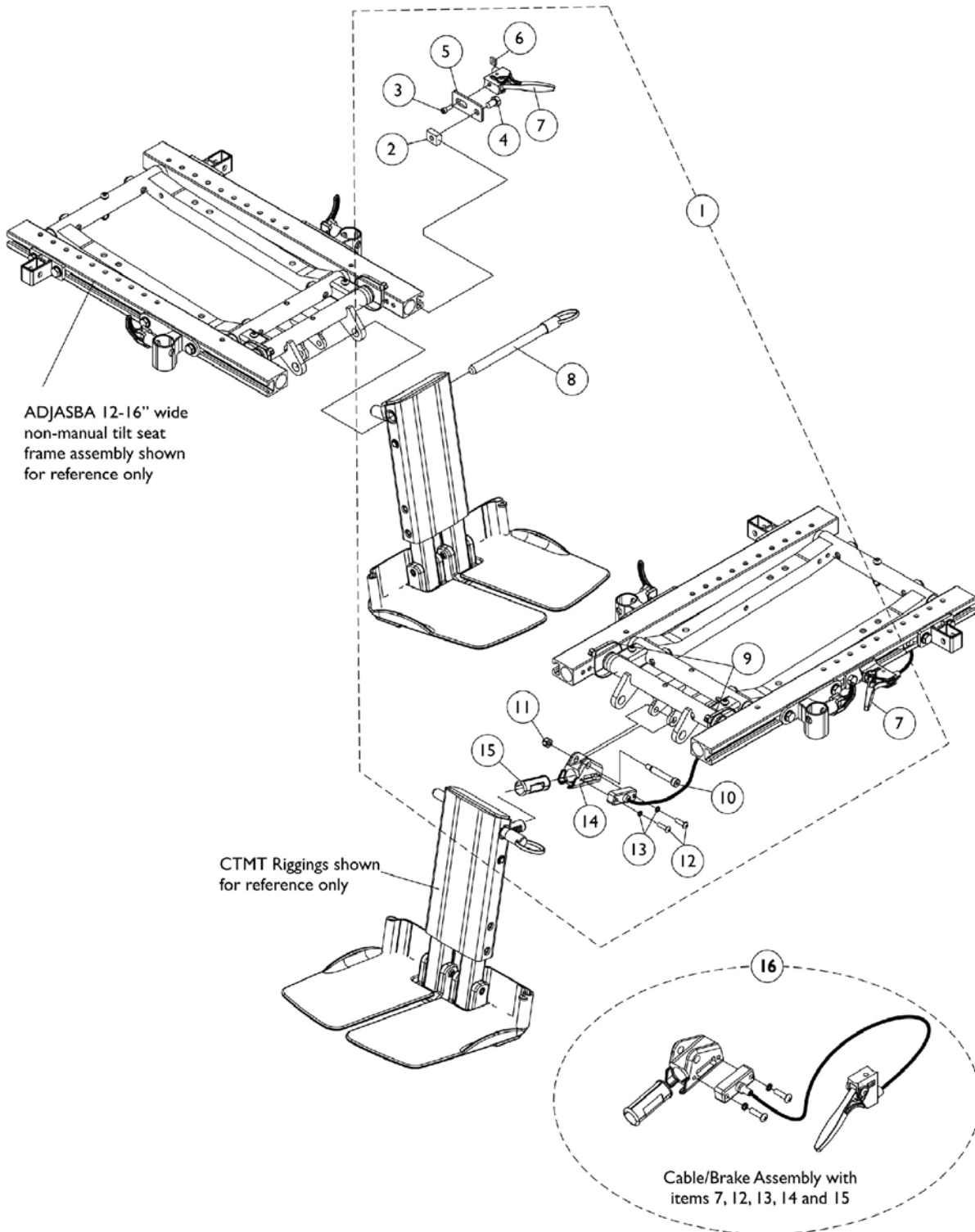


Front Rigging - Center Mount Rigging (CTMT-F with CTMTFB One PC Flip-Up Footboard) (CTMT-F = 12-1/4" - 15" Range)

Item Number	Note	Part Number	Description	Quantity Per	
				Package	Assembly
1	A	1148725	Legrest Support Assembly, Center Mount Rigging	1	1
2		1113376	Ring, Retainer (1/4 x 1/2 x 1/64")	1	2
3		1113373	Pin, Angle Adjustable A.S.B.A.	1	1
4		1110669	Bearing, Flanged (1/2 x 13/16 x 1/2")	1	2
5		1113609-NLA	Support, Center Mount Rigging Legrest	1	1
6		1113372	Rack, Center Mount Rigging Angle Adjustable	1	1
7		1021344	Screw, Socket Head Cap (5/16-18 x 1-1/2")	1	4
7		1021344	Screw, Socket Head Cap (5/16-18 x 1-1/2")	1	4
8	B	1148722	Footboard Assembly, FBCTMT (For CTMT-F 12-1/4" - 15" Range & PCTMT 10"-13" Range)	1	1
9	C	1144608	Kit, Heel Stop and Extension Tube Mounting Hardware	1	1
10		1026158	Locknut (5/16-18)	1	2
11		1124677	Bushing, Actuator Motor (3/8 x 3/4 x 5/32")	1	4
12		1148710	Screw, Hex Head (5/16-18 x 4")	1	2
13		1153789	Bracket, Heel Stop	1	2
14	F	1148711	Tube, Extension - Short (For CTMT-F 12-1/4" - 15" Range & PCTMT 10"-13" Range)	1	2
15	D	1144607	Tube, Vertical Support w/ Caps	1	1
16		1144609	Package, End Caps (1" Square)	10	1
17	E	1147134	Kit, Footboard Mounting Hardware	1	1
18		1106223	Screw, Socket Head (3/8-16 x 2-1/2")	1	1
19		1065214	Washer, Flat (3/8 x 11/16 x 1/16")	1	1
20		1049527	Washer, Nylon (3/8 x 3/4 x 1/16")	1	2
21		1105039	Bushing (3/8 x 5/8 x 1/2")	1	1
22		1028486	Locknut, Low Profile (3/8-16)	1	1
23		1108457	Screw, Socket Set Flat (5/16-18 x 1")	1	1
24		1028769	Locknut (5/16-18)	1	1
25		1114311	Footboard w/ Cover (11-1/4" Wide x 11-1/2" Long)	1	1

NOTE: A - Includes items 2-7
B - Includes items 9, 13, 14, 15, 17 and 25
C - Includes items 10-12
D - Extension Tube and Vertical Support Tube includes Tube Caps at both ends
E - Includes items 18-24
F - End Caps are no longer used or required for the extension tube as of 4/9/08

Center Mount Rigging Mounting Hardware (CTMT-F/CTMT-FJ) (12"-16" Wide) Non-Manual Tilt Chairs with ADJASBA Seats



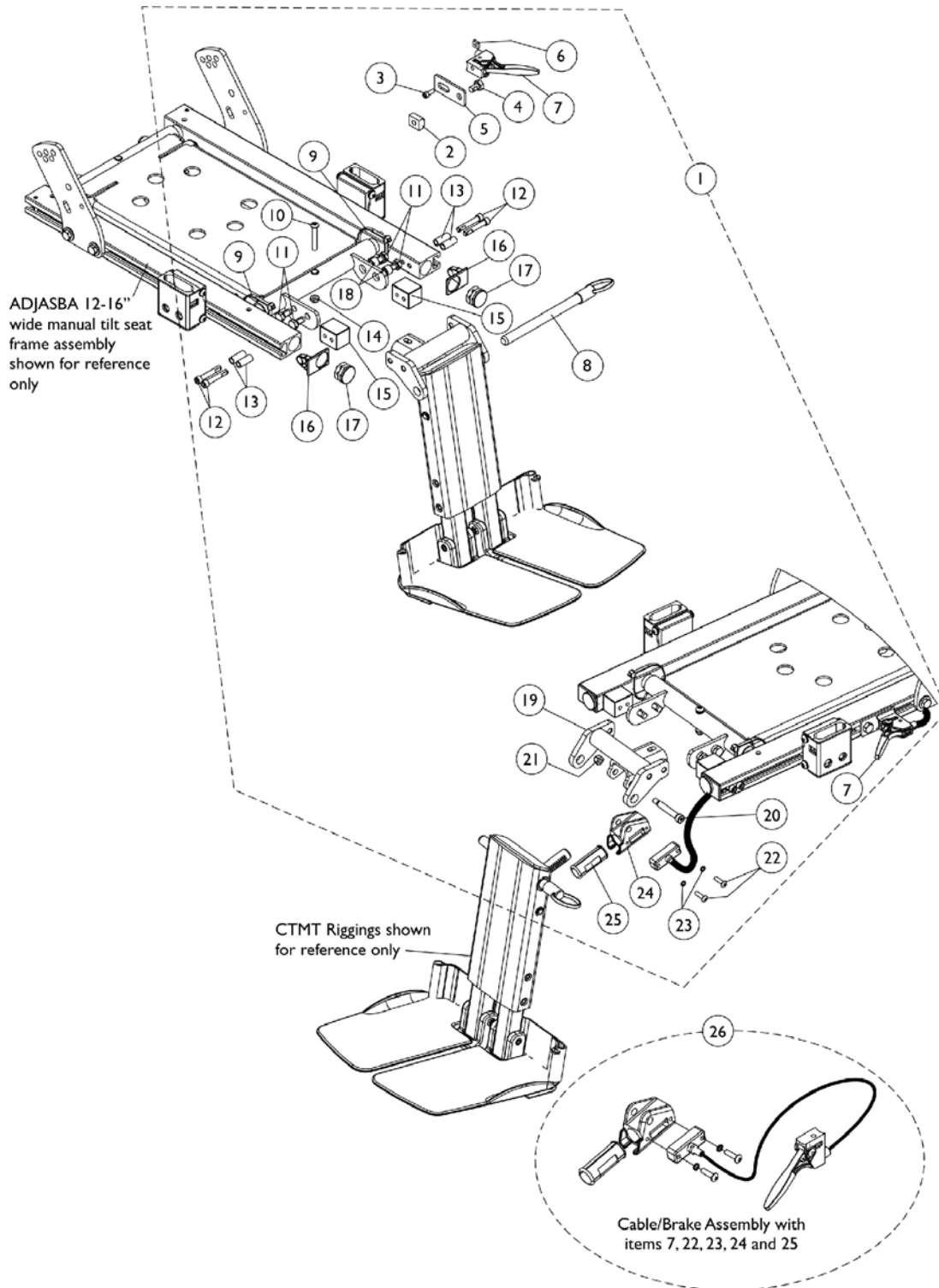
**Center Mount Rigging Mounting Hardware
(CTMT-F/CTMT-FJ)
(12"-16" Wide) Non-Manual Tilt Chairs with ADJASBA Seats**

Item Number	Note	Part Number	Description	Quantity Per	
				Package	Assembly
1	A	1135960	Kit, Center Mount Rigging Mounting Hardware	1	1
2		1069724	T-Nut (5/16-18)	1	1
3		1056087	Screw, Socket Head (#10-32 x 1/2")	1	1
4		1061922	Screw, Hex Head Cap w/ Patch (5/16-18 x 1/2")	1	1
5		1146442	Bracket, Release Handle Mounting	1	1
6		1086207	Nut, Square (#10-32)	1	1
7		1113622	Cable/Brake Assembly	1	1
8		1113375	Pin, Quick Release (5" Long)	1	1
9		98007X005	Cable Tie (11-1/2" Long)	1	2
10		1071736	Screw, Socket Head Shoulder (5/16 x 1-5/8")	1	1
11		1025736	Locknut (1/4-20)	1	1
12		40163X008	Screw, Phillips Pan Head (#10-32 x 11/16")	1	2
13		1028527	Washer, Lock (3/16 x 5/16 x 1/32")	1	2
14		1113389	Housing, Ratchet	1	1
15		1113383	Bearing, Glide	1	1
16	B	1121079	Cable/Brake Assembly with Ratchet Housing and Glide Bearing	1	1

NOTE: A - Includes items 2-15
B - Includes items 7, 12, 13, 14 and 15

Center Mount Rigging Mounting Hardware (CTMT-F/CTMT-FJ)

(12"-16" Wide) Manual Tilt Chairs with ADJASBA Seats

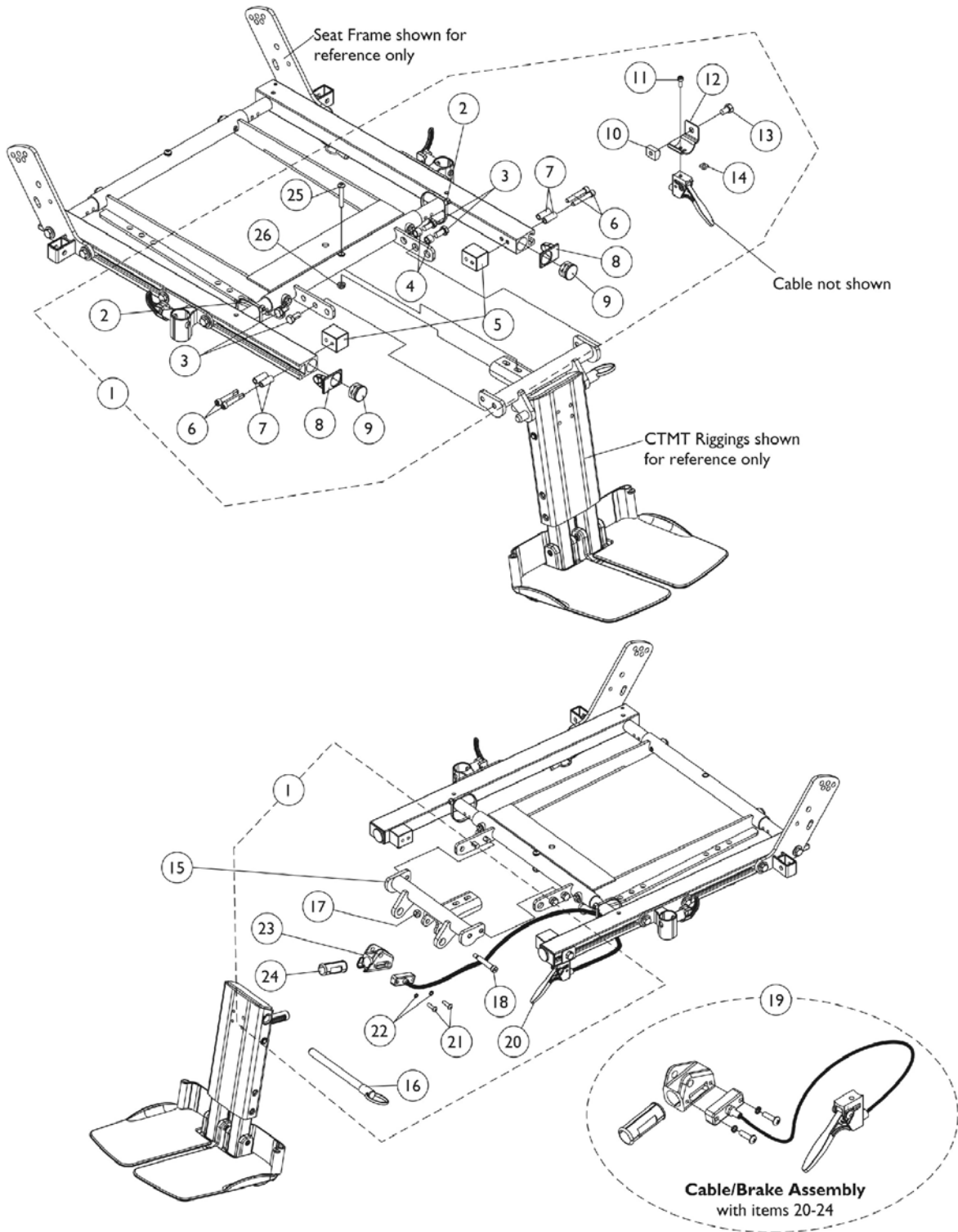


Center Mount Rigging Mounting Hardware (CTMT-F/CTMT-FJ) (12"-16" Wide) Manual Tilt Chairs with ADJASBA Seats

Item Number	Note	Part Number	Description	Quantity Per	
				Package	Assembly
1	A	1154220	Kit, Center Mount Rigging Mounting Hardware, Manual Tilt	1	1
2		1069724	T-Nut (5/16-18)	1	1
3		1056087	Screw, Socket Head (#10-32 x 1/2")	1	1
4		1061922	Screw, Hex Head Cap w/ Patch (5/16-18 x 1/2")	1	1
5		1146442	Bracket, Release Handle Mounting	1	1
6		1086207	Nut, Square (#10-32)	1	1
7		1113622	Cable/Brake Assembly	1	1
8		1113375	Pin, Quick Release (5" Long)	1	1
9		98007X005	Cable Tie (11-1/2" Long)	1	2
10		1008495	Screw, Socket Button Head (1/4-20 x 1-1/2")	1	1
11		1122652	Screw, Hex Head (5/16-18 x 5/8")	1	4
12		1038379	Screw, Socket Head Cap w/ Patch (1/4-20 x 1-1/2")	1	4
13		1122618	Spacer (1/4 x 3/8 x 29/32")	1	4
14		1025195	Locknut (1/4-20)	1	1
15		1122613	Block, Threaded	1	2
16		1120286	Cap, Side Rail End	1	2
17		1029501	Plug Button, Black (1")	1	2
18		1026160	Spacer (5/16 x 7/16 x 3/8")	1	2
19		1151338	Support, Center Mount Rigging	1	1
20		1071736	Screw, Socket Head Shoulder (5/16 x 1-5/8")	1	1
21		1025736	Locknut (1/4-20)	1	1
22		40163X008	Screw, Phillips Pan Head (#10-32 x 11/16")	1	2
23		1028527	Washer, Lock (3/16 x 5/16 x 1/32")	1	2
24		1113389	Housing, Ratchet	1	1
25		1113383	Bearing, Glide	1	2
26	B	1121079	Cable/Brake Assembly with Ratchet Housing and Glide Bearing	1	1

NOTE: A - Includes items 2-25
B - Includes items 7, 22, 23, 24, 25

Center Mount Rigging Mounting Hardware (CTMT-F/CTMT-FJ) (16"-20" Wide) Chairs with ADJASBA Seats

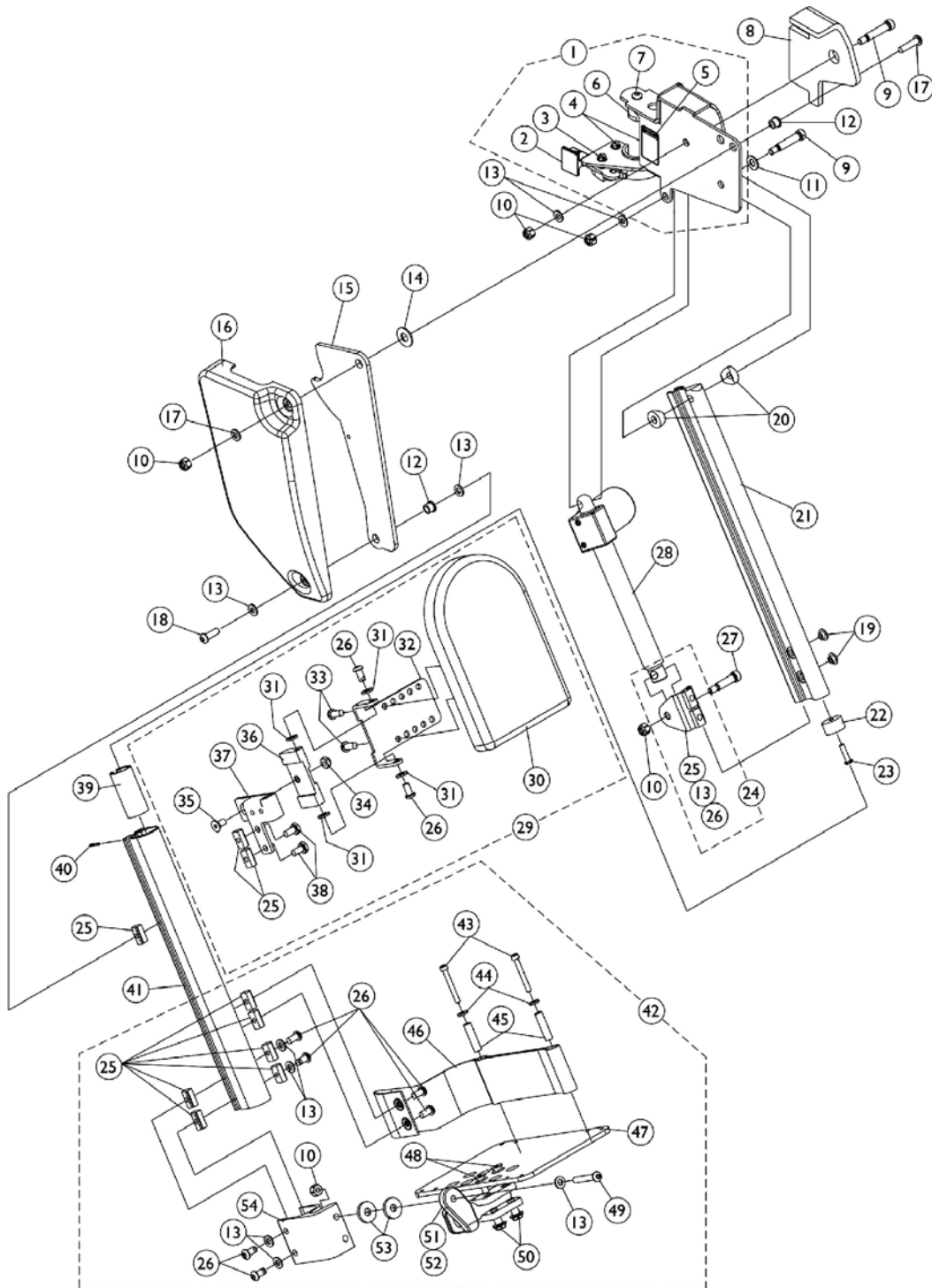


Center Mount Rigging Mounting Hardware (CTMT-F/CTMT-FJ) (16"-20" Wide) Chairs with ADJASBA Seats

Item Number	Note	Part Number	Description	Quantity Per	
				Package	Assembly
1	A	1124701	Kit, CTMT-F/CTMT-FL/CTMT-FJ Center Mount Riggings Mounting Hardware	1	1
2		98007X005	Cable Tie (11-1/2" Long)	1	2
3		1122652	Screw, Hex Head (5/16-18 x 5/8")	1	4
4		1026160	Spacer (5/16 x 7/16 x 3/8")	1	2
5		1122613	Block, Threaded	1	2
6		1038379	Screw, Socket Head Cap w/ Patch (1/4-20 x 1-1/2")	1	4
7		1122618	Spacer (1/4 x 3/8 x 29/32")	1	4
8		1120286	Cap, Side Rail End	1	2
9		1029501	Plug Button, Black (1")	1	2
10		1069724	T-Nut (5/16-18)	1	1
11		1056087	Screw, Socket Head (#10-32 x 1/2")	1	1
12		1125775	Bracket, Release Handle Mounting	1	1
13		1061922	Screw, Hex Head Cap w/ Patch (5/16-18 x 1/2")	1	1
14		1086207	Nut, Square (#10-32)	1	1
16		1113375	Pin, Quick Release (5" Long)	1	1
17		1025736	Locknut (1/4-20)	1	1
18		1071736	Screw, Socket Head Shoulder (5/16 x 1-5/8")	1	1
20		1113622	Cable/Brake Assembly	1	1
21		40163X008	Screw, Phillips Pan Head (#10-32 x 11/16")	1	2
22		1028527	Washer, Lock (3/16 x 5/16 x 1/32")	1	2
23		1113389	Housing, Ratchet	1	1
24		1113383	Bearing, Glide	1	1
25		1008495	Screw, Socket Button Head (1/4-20 x 1-1/2")	1	1
26		1025195	Locknut (1/4-20)	1	1
15	C	1122675	Support, Center Mount Rigging (16"-19" Seat Depths)	1	1
15	D	1136001	Support, Center Mount Rigging (Long) (19"-22" Seat Depths)	1	1
19	B	1121079	Cable/Brake Assembly with Ratchet Housing and Glide Bearing	1	1
20		1113622	Cable/Brake Assembly	1	1
21		40163X008	Screw, Phillips Pan Head (#10-32 x 11/16")	1	2
22		1028527	Washer, Lock (3/16 x 5/16 x 1/32")	1	2
23		1113389	Housing, Ratchet	1	1
24		1113383	Bearing, Glide	1	1

NOTE: A - Includes items 2-14, 16-18 and 20-26
B - Includes items 20-24
C - Support used for 16"-19" deep seats
D - Support used for 19"-20" deep seats. TDX SC models extend to 20" deep only

Power Articulating Legrest ELRPW/ELRPW22 TDX SC



Power Articulating Legrest ELRPW/ELRPW22 TDX SC

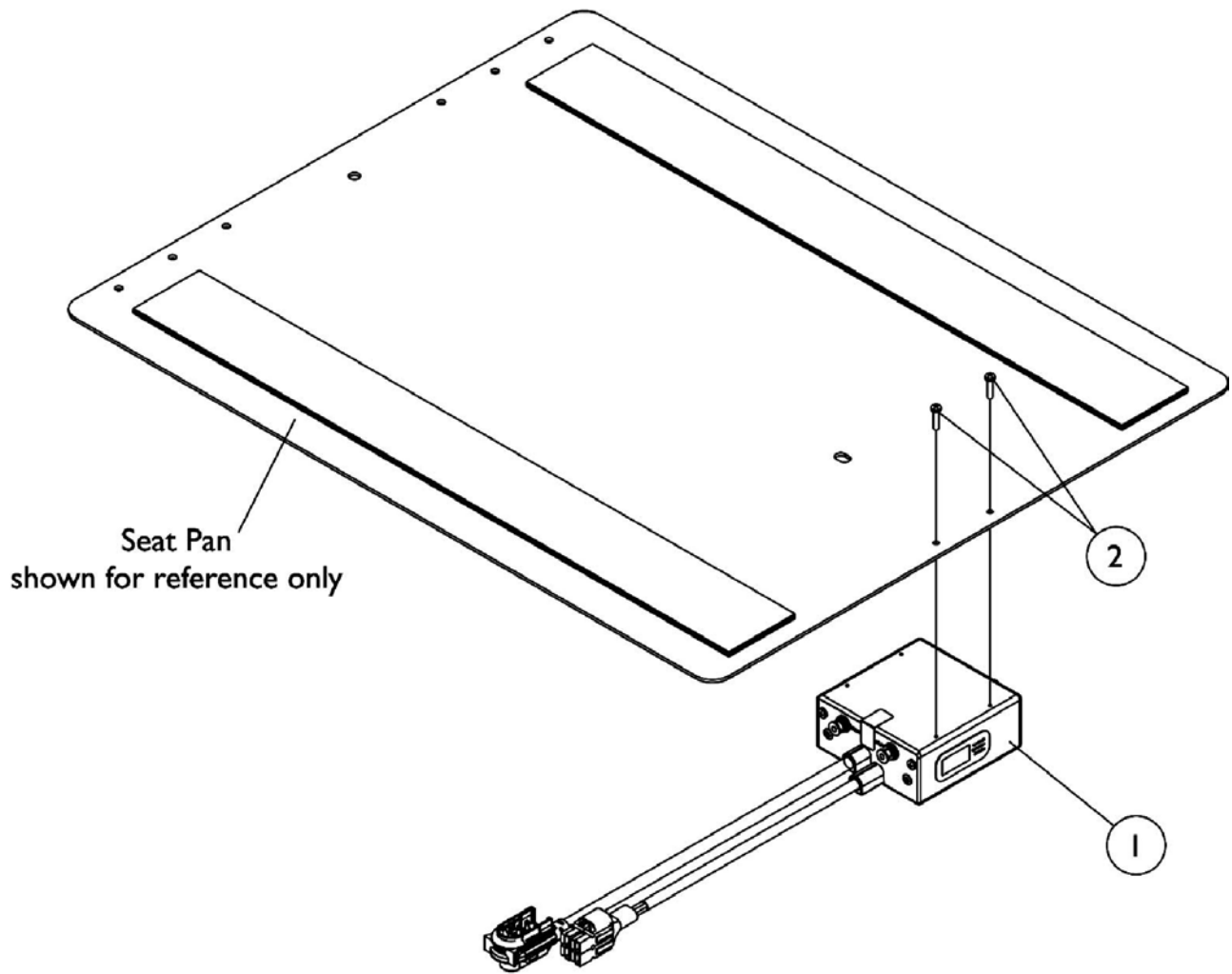
Item Number	Note	Part Number	Description	Quantity Per	
				Package	Assembly
1	A	1125436	Legrest Support Assembly, Sector, Black - Right	1	1
1	A	1125437	Legrest Support Assembly, Sector, Black - Left	1	1
2		1025454	Latch Housing - Right	1	1
2		1025455	Latch Housing - Left	1	1
3		1017423	Screw, Slotted Hex Washer Head (#10-32 x 1/2")	1	1
4		1025451	Screw, Slotted Hex Washer Head (#10-32 x 5/8")	1	2
5		1079203	Decal, Warning Pinch Point	1	1
6		1099685	Plug, Pivot	1	1
7		1091870	Screw, Socket Button Head w/ Patch (1/4-20 x 3/4")	1	1
8		1125433	Cushion Pad - Right	1	1
8		1125434	Cushion Pad - Left	1	1
9		1025351	Screw, Socket Head Shoulder (5/16 x 1-1/4")	1	2
10		1025736	Locknut (1/4-20)	1	5
11		1025704	Washer, Flat (5/16 x 5/8 x 1/16")	1	1
12		1099671	Bearing, Flange (1/4 x 5/16" Long)	1	2
13		1026907	Washer (1/4 x 1/2 x 1/16")	1	12
14		1012371	Washer, Nylon (3/8 x 7/8 x 1/16")	1	1
15		1125424	Plate, Pivot	1	1
16		1110746	Cover, Legrest Support - Right	1	1
16		1110747	Cover, Legrest Support - Left	1	1
17		1009837	Screw, Socket Button Head (1/4-20 x 1")	1	1
18		1091870	Screw, Socket Button Head w/ Patch (1/4-20 x 3/4")	1	1
19		1101883	Glide	1	2
20		0175600	Spacer, Coved (5/16 x 3/4 x 3/8")	1	2
21		1110741	Extrusion, Internal Slide (14-1/4" Long)	1	1
22		1099702	Glide, Internal	1	1
23		1018846	Screw, Socket Button Head (#10-24 x 3/4")	1	1
24	B	1110972	Actuator Bracket Assembly	1	1
25		1082699	T-Nut (1/4-20)	1	11
26		1100023	Screw, Button Head w/Patch (1/4-20 x 1/2")	1	10
27		1087417	Screw, Socket Head Shoulder (5/16 x 1")	1	1
28		1110724	Motor, Actuator - Right	1	1
28		1110725	Motor, Actuator - Left	1	1
29	C	8881110977	Calf Pad Assembly with Mounting Hardware - Right	1	1
29	C	8881111715	Calf Pad Assembly with Mounting Hardware - Left	1	1
30		88804529X003	Pad, Legrest Vinyl - Right	1	1
30		88804529X004	Pad, Legrest Vinyl - Left	1	1
	D,F	1110748	Hardware, Calf Pad Bracket	1	1
31		1026033	Washer, Nylon (1/4 x 1/2 x 1/16")	1	4
32		1099700	Bracket, Calf Pad Mounting, Black	1	1
33		1026114	Screw, Phillips Pan Head (#10-32 x 1/2")	1	2
34		1025765	Locknut (1/4-28)	1	1

Power Articulating Legrest ELRPW/ELRPW22 TDX SC

Item Number	Note	Part Number	Description	Quantity Per	
				Package	Assembly
35		1074191	Screw, Socket Countersunk Head (1/4-28 x 1/2")	1	1
36		1099690	Block, Calf Pad	1	1
37		1111716	Bracket, Calf Pad Mounting, Black - Right	1	1
37		1111717	Bracket, Calf Pad Mounting, Black - Left	1	1
38		1078214	Screw, Hex Head Cap w/ Patch (1/4-20 x 1/2")	1	2
39		1110742	Bushing, Sleeve	1	1
40		1079151	Pin, Roll (5/64 x 5/8")	1	1
41		1121026	Extrusion, External (12-1/2" Long) (ELRPW22 Before 7/22/04) and (ELRPW20 After 7/21/04)	1	1
41		1125435	Extrusion, External (14-1/2" Long) ELRPW22	1	1
42	E	1101114	Footplate Assembly - Right	1	1
42	E	1101115	Footplate Assembly - Left	1	1
43		1023965	Screw, Socket Head Cap (#10-32 x 1-1/2")	1	2
44		1028516	Washer (3/16 x 7/16 x 1/16")	1	2
45		1015629	Bushing	1	2
46		1101268	Heel Loop Assembly - Right	1	1
46		1101269	Heel Loop Assembly - Left	1	1
47		1060427	Footplate, Adjustable Angle - Large (5-1/4" W x 8" L)	1	1
48		1029545	Screw, Socket Head Cap (1/4-20 x 3/4")	1	2
49		1008495	Screw, Socket Button Head (1/4-20 x 1-1/2")	1	1
50		1082686	Nut, Hex Head (1/4-20 x 11/16")	1	2
51		1052102	Hinge, Footplate - Right	1	1
51		1052103	Hinge, Footplate - Left	1	1
52		1048816	Screw, Nylon Adjustment (1/2-13 x 7/8")	1	1
53		1016301	Washer, Nylon (5/16 x 7/8 x 1/8")	1	2
54		1099678	Extrusion, Footplate Adapter	1	1
55		1126091	Legrest, Power Articulating (13"-20" Range) - Right ELRPW	1	1
55		1126092	Legrest, Power Articulating (13"-20" Range) - Left ELRPW	1	1
55		1126093	Legrest, Power Articulating (15"-22" Range) - Right ELRPW22	1	1
55		1126094	Legrest, Power Articulating (15"-22" Range) - Left ELRPW22	1	1
NOTE: A - Includes items 2-7 B - Includes items 13, 25 and 26 C - Includes Items 25, 26 and 30-38 D - Includes Items 25, 26, 31-36, 38 E - Includes Items 10, 13, 25, 26 and 43-54 F - Not Shown					

Dual Legs Integrated Actuator Module (DLIAM) MK6i

For ELRPW Front Riggings - TDX SC



Dual Legs Integrated Actuator Module (DLIAM) MK6i For ELRPW Front Riggings - TDX SC

Item Number	Note	Part Number	Description	Quantity Per	
				Package	Assembly
1		1140032	Module, Dual Legs Integrated Actuator (DLIAM) MK6i	1	1
2		1021742	Screw, Phillips Pan Head (#4-40 x 1/2")	1	2

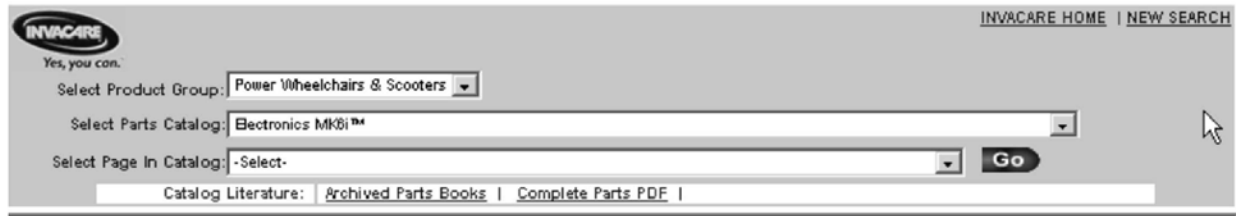
MK6i Electronics

If you are looking for **MK6i™ Electronics** for the
TDX SC & TDX SPREE Powered Wheelchairs

The parts catalog information is now divided into two separate catalogs.

Web Page

The MK6i™ Electronics information can be found on the Invacare web page by selecting “Electronics MK6i™” in the “Select Parts Catalog” drop down menu.



INVACARE
Yes, you can.

INVACARE HOME | NEW SEARCH

Select Product Group: Power Wheelchairs & Scooters

Select Parts Catalog: Electronics MK6i™

Select Page In Catalog: -Select-

Go

Catalog Literature: Archived Parts Books | Complete Parts PDF |

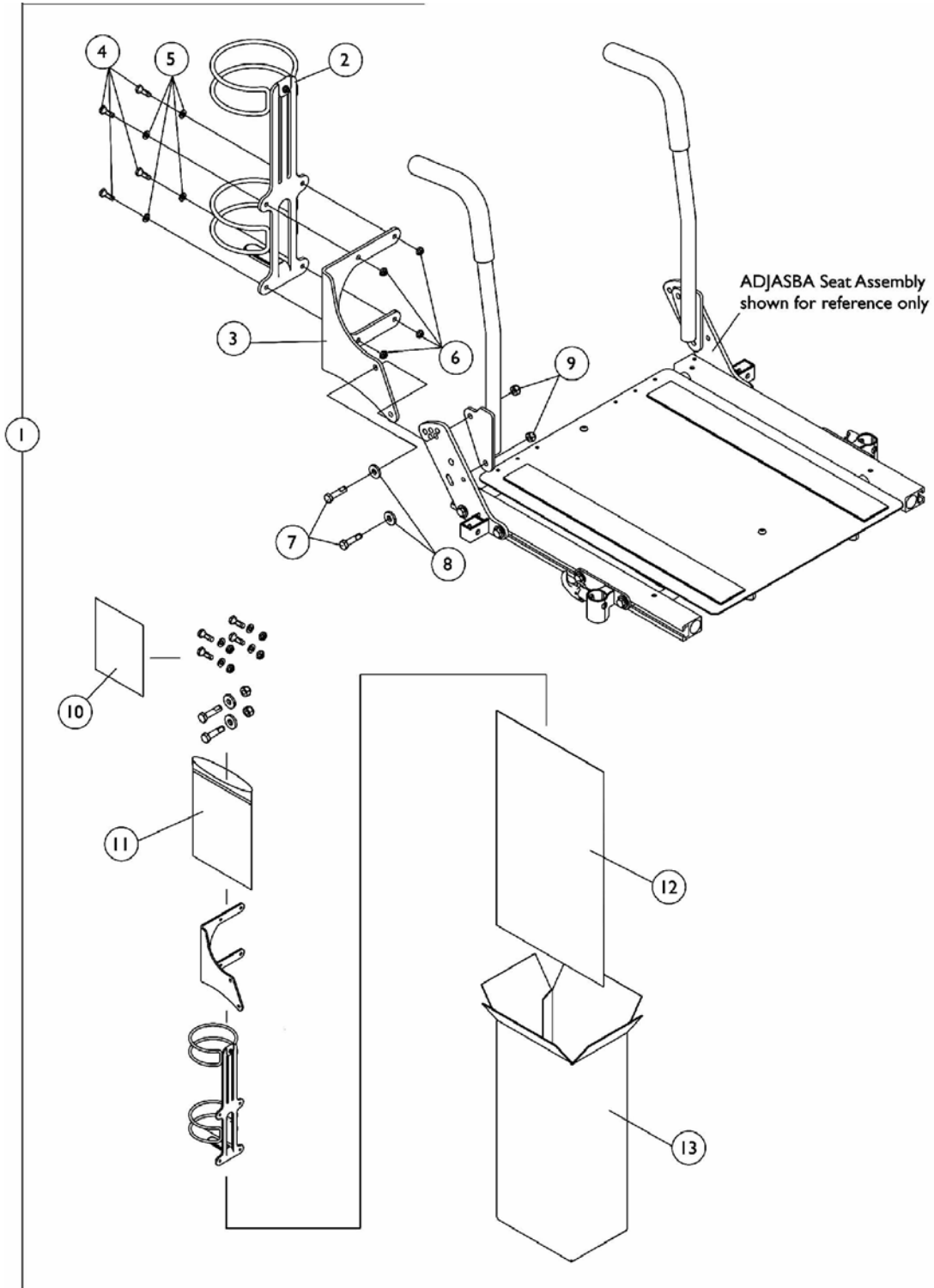
Printed Catalog

The MK6i™ Electronics information can be found in printed copy at our Literature Fulfillment Center listed under form # 06-110 and titled “MK6i™ Electronics”.

Oxygen Holder Assembly Kit

ADJASBA Seats

NOTE: Oxygen holder is not available on recliner options and the 12"-16" wide TDX SPREE ADJASBA Seat Frame



Oxygen Holder Assembly Kit

ADJASBA Seats

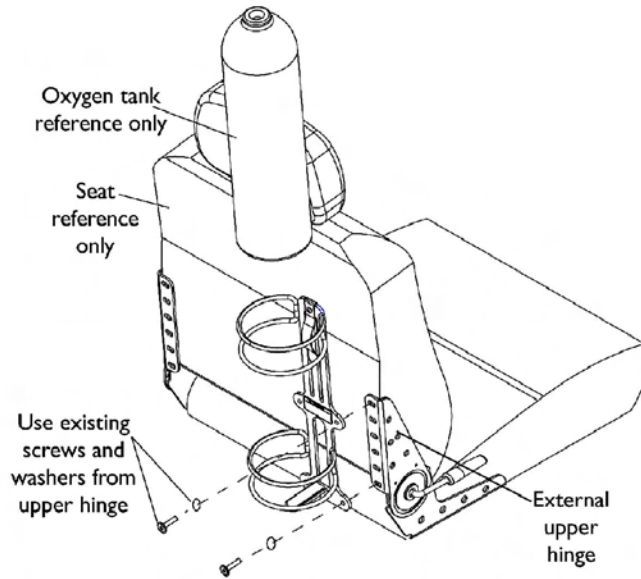
NOTE: Oxygen holder is not available on recliner options and the 12"-16" wide TDX SPREE ADJASBA Seat Frame

Item Number	Note	Part Number	Description	Quantity Per	
				Package	Assembly
1	A	1135504	Kit, Oxygen Holder Assembly For ADJASBA Seats	1	1
2		1116948	Oxygen Holder	1	1
3		1124403	Bracket, Oxygen Holder (ASBA and ADJASBA Seats)	1	1
4		1045267	Screw, Hex Head (1/4-20 x 3/4")	1	4
5		1026907	Washer (1/4 x 1/2 x 1/16")	1	4
6		1025195	Locknut (1/4-20)	1	4
7		1043629	Screw, Hex Head Cap with Patch (5/16-18 x 1-1/4")	1	2
8		1079247	Washer, Flat (21/64 x 53/64 x 7/64")	1	2
9		1026158	Locknut (5/16-18)	1	2
10		1134793	Instruction Sheet, Oxygen Holder For ADJASBA Seats	1	1
11		1021148	Bag, Poly Zip-Lip (6" Wide x 8-3/4" Long)	1	1
12		1021866	Bag, Poly (15" Wide x 26" Long)	1	1
13		1097276	Carton, Shipper	1	1

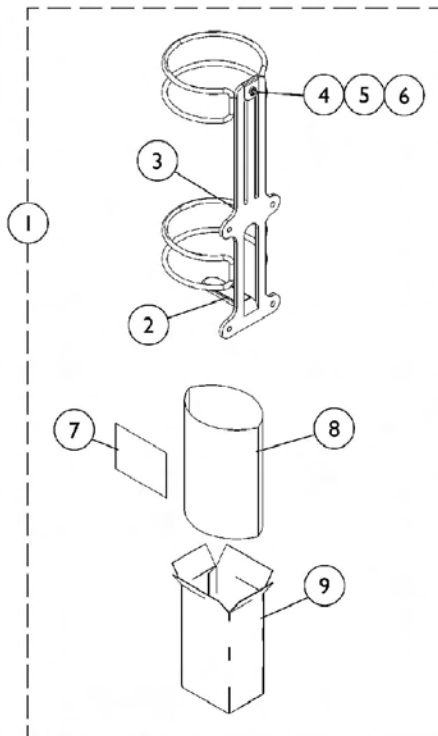
NOTE: A - Includes items 2-13

Oxygen Holder Assembly Kit

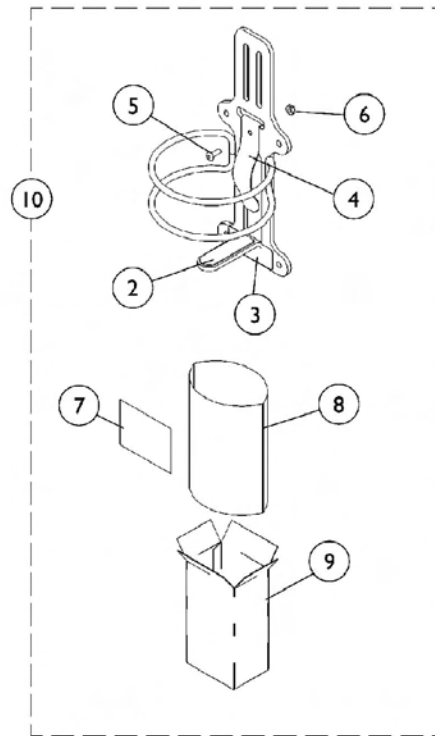
Van Seat



Installing on Seat with External Hinge



O2 Holder D or E size tanks



O2 Holder Home Filled Tank (HFO2-ML6)

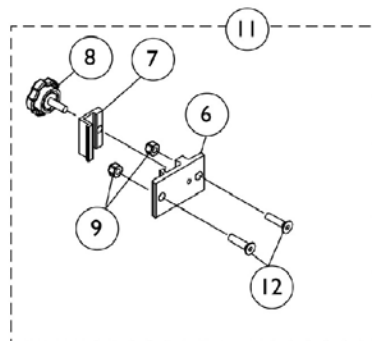
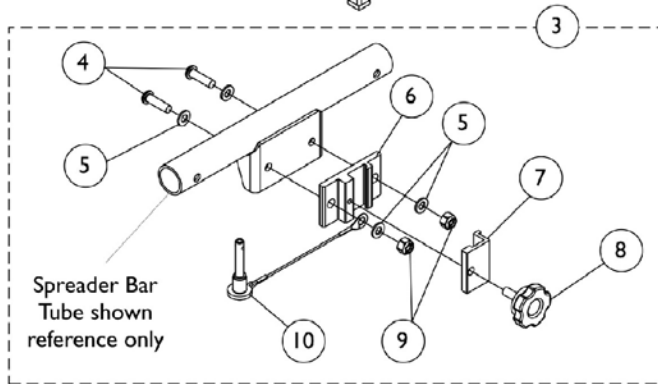
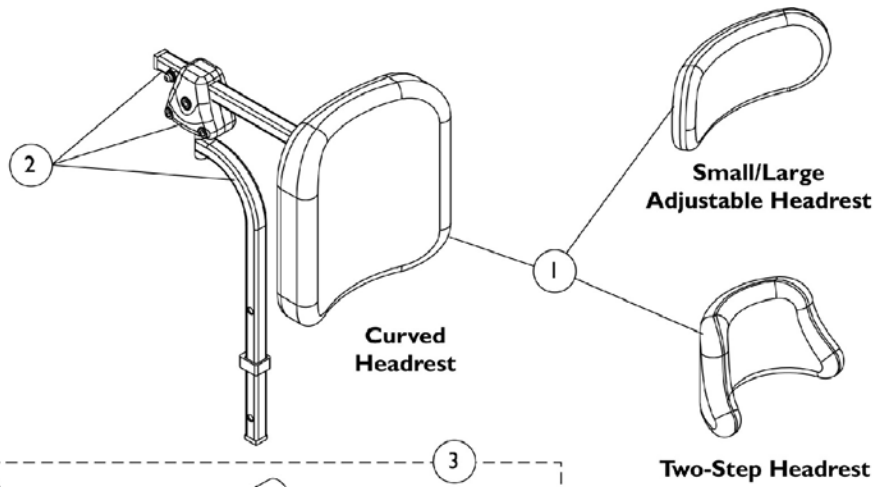
Oxygen Holder Assembly Kit Van Seat

Item Number	Note	Part Number	Description	Quantity Per	
				Package	Assembly
1	A	1116956	Assembly, Oxygen Holder (D or E Tanks)	1	1
2		1116950	Pad, Non-Skid	1	1
3		1080866	Decal, Oxygen Warning - English	1	1
4		1116945	Spring, Oxygen Holder	1	1
5		1072319	Screw, Socket Button Head (#10-32 x 1/2")	1	1
6		1025735	Locknut (#10-32)	1	1
7		1116957	Instruction Sheet, Oxygen Holder	1	1
8		1021866	Bag, Poly (15" Wide x 26" Long)	1	1
9		1063960	Carton	1	1
10	A	HFO2-ML6	Assembly, Oxygen Holder (Home Filled Tank)	1	1

NOTE: A - Includes Oxygen Holder plus items 2-9. For seats with an EXTERNAL (visible) hinge assembly.

Headrest Supports, Tarsys

TDX SPREE with Manual Tilt Only

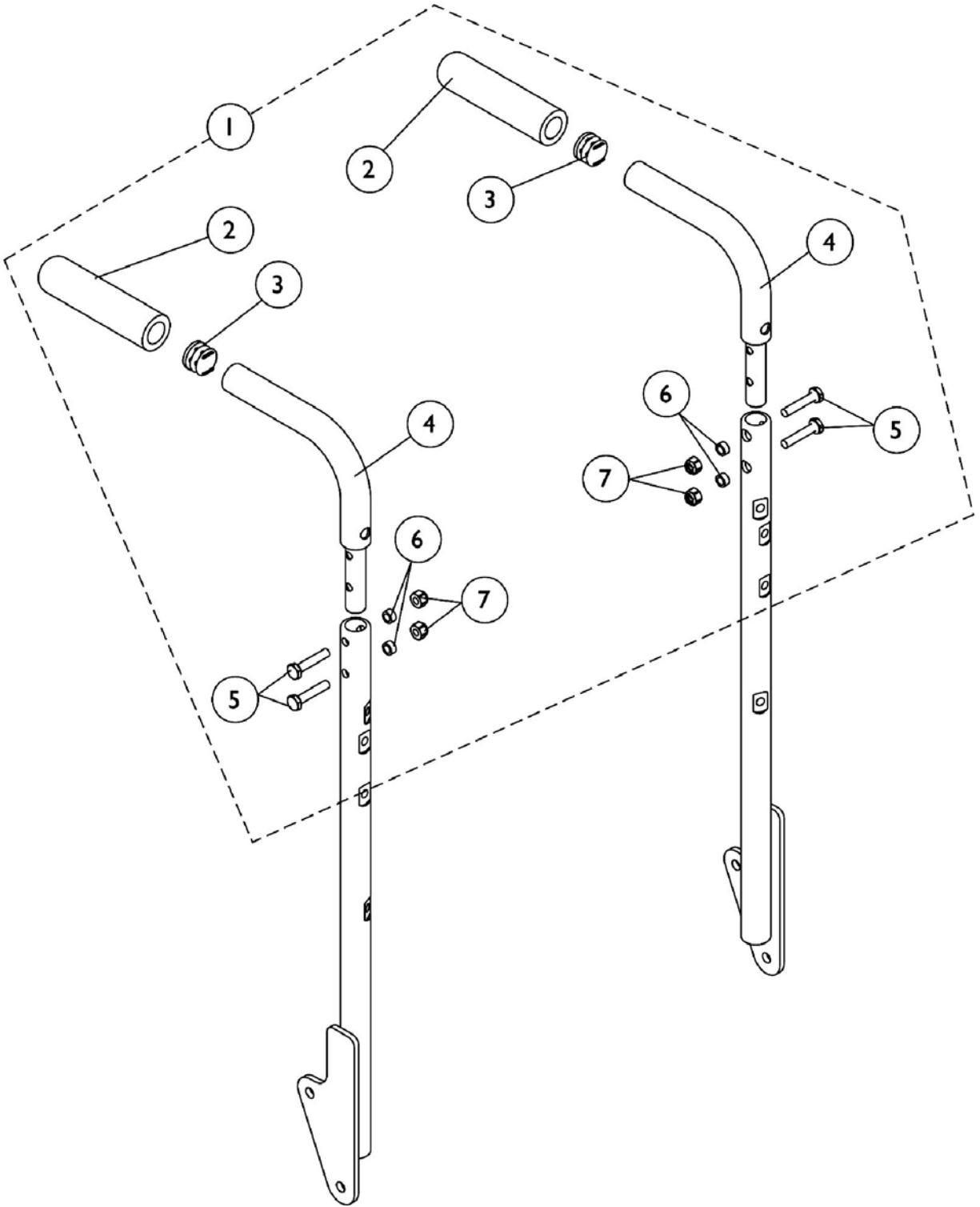


Headrest Supports, Tarsys TDX SPREE with Manual Tilt Only

Item Number	Note	Part Number	Description	Quantity Per	
				Package	Assembly
1		0127700	Headrest, Curved (6"W x 7"H)	1	1
1		0022600	Headrest, Small Adjustable, Otto Bock (9"W x 3-1/2"H)	1	1
1		0022400	Headrest, Large Adjustable, Otto Bock (12"W x 6"H)	1	1
1		0128000	Headrest, Two-Step (8-1/2"W x 5-1/2"H)	1	1
2		1128754	Headrest Bracket Assembly (Offset)	1	1
3	A	1127973	Kit, Headrest Clamp Hardware	1	1
4		1028410	Screw, Socket Button Head (1/4-20 x 7/8")	1	2
5		1026907	Washer (1/4 x 1/2 x 1/16")	1	4
6	B	0237422-NLA	Clamp, Small Bottom Half	1	1
7	B	0237522-NLA	Clamp, Small Top Half	1	1
8		1072439	Knob, Adjustment (1-3/8" Dia., 3/4" Long Threads)	1	1
9		1025736	Locknut (1/4-20)	1	2
10		1128725	Pin, Quick Release with Lanyard	1	1
11	C	0273100	Kit, Headrest Clamp	1	1
12		0288706	Screw, Socket Head (1/4-20 x 1")	1	2

NOTE: A - Includes items 4-10
 B - Clamp is no longer available individually. See item 11, Clamp Assembly - Part # 0273100 for replacement.
 C - Includes items 6-9 and 12.

Back Cane Push Handle Attachments (16" Wide) Conventional Back Non-Manual Tilt - TDX SPREE



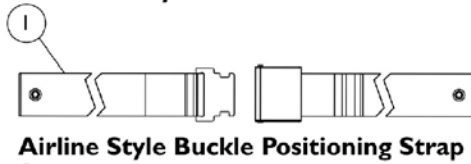
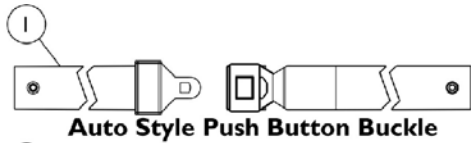
Back Cane Push Handle Attachments (16" Wide) Conventional Back Non-Manual Tilt - TDX SPREE

Item Number	Note	Part Number	Description	Quantity Per	
				Package	Assembly
1	A	1133259	Kit, Back Cane Push Handle Attachments (Pair)	1	1
2		1086460	Foam Hand Grip (4-1/2" Long)	1	2
3		1027095	Plug Button, Black (7/8")	1	2
4		1133221	Attachment, Back Cane Push Handle	1	2
5		1021406	Screw, Hex Head (1/4-20 x 1-1/4")	1	4
6		1047449	Spacer (1/4 x 3/8 x 3/16")	1	4
7		1025736	Locknut (1/4-20)	1	4

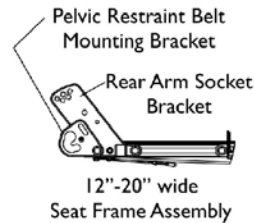
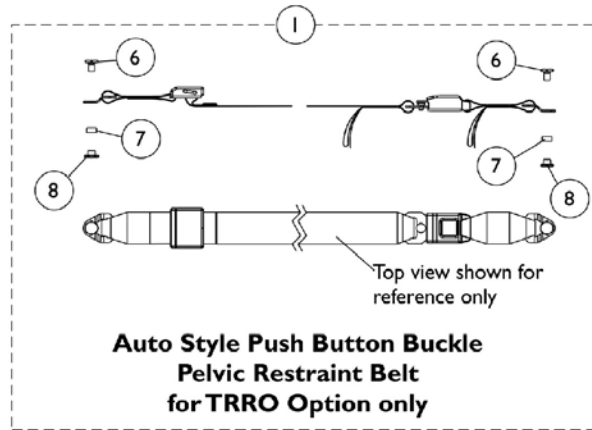
NOTE: A - Includes items 2-7.

Miscellaneous Accessories

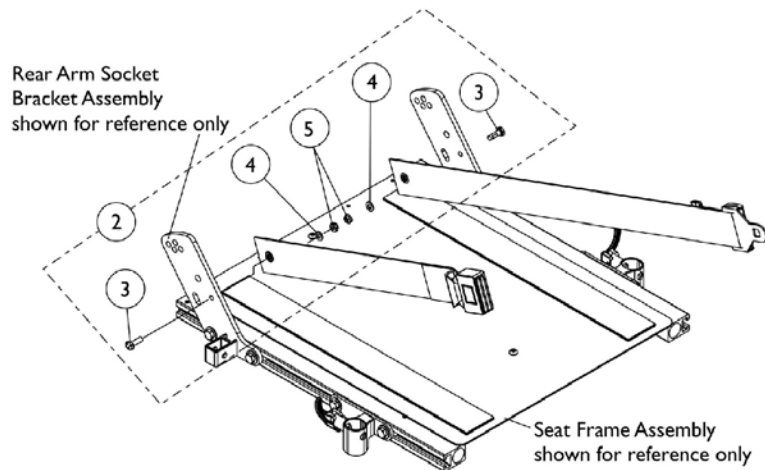
NOTE: Chest Positioning Straps share the same hardware that attaches the Back Upholstery



**Positioning Straps
(For ASBA and ADJASBA Seating
without TRRO Option)**



**Pelvic Restraint Belt Mounting Location
(For ADJASBA Seating w/ TRRO Option)**



**Seat Positioning Strap
Mounting Hardware
(For ADJASBA Seating)**

Miscellaneous Accessories

NOTE: Chest Positioning Straps share the same hardware that attaches the Back Upholstery

Item Number	Note	Part Number	Description	Quantity Per	
				Package	Assembly
1		See Chart	#1 Positioning Straps	1	1
1	C	See Chart	#1 Pelvic Restraint Belt For TRRO Option Only	1	1
2	A	1124385	Kit, Seat Positioning Strap Mounting Hardware (both LT & RT sides)	1	1
3		1045267	Screw, Hex Head (1/4-20 x 3/4")	1	2
4		1026907	Washer (1/4 x 1/2 x 1/16")	1	2
5		1025195	Locknut (1/4-20)	1	2
6		1134055	Screw, Hex Head (3/8-24 x 5/8")	1	2
7		1134054	Bushing, Nylon (1/2 x 9/16 x 9/32")	1	2
8		1134056	Nut, Barrel (3/8-24)	1	2
	B	40176X010	Tire Pump	1	1

NOTE: A - Includes items 3-5
 B - Not Shown
 C - Before ordering a replacement Pelvic Restraint Belt for TRRO Option, Please read the information provided on page titled "TRRO and TRBKTS Option Clarification Reference" page

Miscellaneous Accessories

NOTE: Chest Positioning Straps share the same hardware that attaches the Back Upholstery

#1 Positioning Straps

Description	12"-15" Wide	16"-19" Wide	20" Wide
Auto Style Push Button	1036527 Positioning Strap, Seat/Chest w/ Auto Style Buckle (Eyelet to Eyelet Length 33") See Note(s) A	1004310 Positioning Strap, Seat/Chest w/ Auto Style Push Button Buckle (Eyelet to Eyelet Length 48")	1034625 Positioning Strap, Seat/Chest w/ Auto Style Push Button Buckle (Eyelet to Eyelet Length 61")
Airline Style	N/A	1034625 Positioning Strap, Seat/Chest w/ Auto Style Push Button Buckle (Eyelet to Eyelet Length 61")	1034752 Positioning Strap, Seat/Chest w/ Airline Style Buckle (Eyelet to Eyelet Length 61")
Hook and Loop See Note(s) B	N/A	1034744 Positioning Strap, Seat/Chest w/ Hook and Loop Style Buckle (Eyelet to Eyelet Length 45") See Note(s) B	1034745 Positioning Strap, Seat/Chest w/ Hook and Loop Style Buckle (Eyelet to Eyelet Length 61") See Note(s) B
NOTE: A - 12"-15" wide positioning straps come in rainbow color. B - Hook and Loop style positioning strap for power chairs is used for chest positioning only			

#1 Pelvic Restraint Belt For TRRO Option Only

Description	12"-16" Wide	16"-20" Wide
Auto Style Push Button See Note(s) A	1134475 Belt, Pelvic Restraint w/ Auto Style Push Button Buckle (Bushing Hole to Bushing Hole Length 37")	1134476 Belt, Pelvic Restraint w/ Auto Style Push Button Buckle (Bushing Hole to Bushing Hole Length 55") See Note(s) A
NOTE: A - Includes the Pelvic Restraint Belt and items 6-8		

Invacare Corporation

www.invacare.com



Yes, you can.™

One Invacare Way
Elyria, Oh USA
44036-2125
800-333-6900

Technical Support
800-832-4707
Florida Technical Support
407-321-5630

Customer Service
800-333-6900

©2008 Invacare Corporation. Elyria, Ohio.
All rights reserved. Trademarks are identified by the symbols™ and®. All trademarks are owned by or licensed to Invacare Corporation unless otherwise noted. Otto Bock is a registered trademark of Otto Bock Orthopaedische Industrie GMBH & Co.. Tash is a registered trademark of Tash International Inc.. Therafin is a registered trademark of W/R/ Medical Electronics Co.. Bussman is a registered trademark of Cooper Industries. MIDI is a registered trademark of Littelfuse Inc.. Dynamic is a registered trademark of Dynamic Controls Limited.
(Revised 6/20/2008)

Form No. 07-082