

# **Formula™CG Tilt (CGT) Powered Seating**

**For  
TDX® SC and TDX® SPREE**



# Parts Catalog Usage Guide

The information contained in this document is subject to change without notice. This catalog contains service parts for Form No. 08-077. If you have any questions regarding this catalog, please contact one of our Customer Service Representatives.

**For Customer Service Support Call:**

**1-800-333-6900**

**For Faxed In Orders Call:**

**1-800-678-4682 or**

**1-440-366-0709**

**For Technical Service Call:**

**1-800-832-4707**

**Literature Can Be Found at:**

**www.invacare.com or**

**1-800-828-6272**

## SYMBOL DEFINITION

Throughout this catalog you will notice letters to draw your attention to specific footnotes which are located at the bottom of the page or below specified charts.

Examples:

A,B,C etc. = Special Comments

NOTE: = General information pertaining to that specific page

NLA = No Longer Available

## HARDWARE MEASUREMENTS

The measurements for the hardware will be listed as follows:

Screws, Bolts Diameter X Thread Count/Pitch X Length

Washers Inside Diameter X Outside Diameter X Thickness

Spacers Inside Diameter X Outside Diameter X Length

For your convenience, we have supplied an area for you to list your Invacare Representatives.

Name	Phone Numbers

©2008 Invacare Corporation. Elyria, Ohio. Invacare, Yes, you can., the Blue Medallion Design, SureStep, TDX are registered trademarks and MK6i, SPJ, MPJ, are trademarks of Invacare Corporation.

Otto Bock is a registered trademark of Otto Bock Orthopaedische Industrie GMBH & Co.. Tash is a registered trademark of Tash International Inc.. Therafin is a registered trademark of

W/R/ Medical Electronics Co.. Bussman is a registered trademark of Cooper Industries. MIDI is a registered trademark of Littelfuse Inc.. Dynamic is a registered trademark of Dynamic Controls Limited.

# TABLE of CONTENTS

<b>Description</b>	<b>Page Number</b>
A: READ THIS FIRST (THIS CATALOG IS DIFFERENT!) .....	6
Accessories, Back Cane Push Handle Attachments, Conventional Seating .....	131
Accessories, Headrest Supports, Stealth CP175/CP275/CP180/CP280 .....	135
Accessories, Headrest Supports, Tarsys .....	133
Accessories, Lateral Supports, Stealth, Contoura Seating TWB-CPR/TWB-CPRL .....	144
Accessories, Lateral Supports, Stealth, TWB-RPR/TWB-RPRL .....	140
Accessories, Lateral Supports, Tarsys, Contoura Seating CSLM/CSLL .....	141
Accessories, Lateral Supports, Tarsys, TMSLM/TMSLL .....	137
Accessories, Seat and Chest Positioning Strap Mounting Hardware .....	146
Accessories, Seat and Chest Positioning Straps without Mounting Hardware .....	148
Actuator Motor, Tilt and Mounting Hardware .....	24
Arms, Mtg. Front/Rear Arm Socket Asbly. & Hdwr., (12"-16" W x 12"-15" D) - TDX SPREE .	68
Arms, Mtg. Front/Rear Arm Socket Asbly. & Hdwr., (12"-16" W x 16"-18" D) TDX SPREE & (16"-20" W x 16"-20" D) TDX SC	70
Arms, w/o Mtg. Hdwr., Adj. Hgt. - (12"-16" Wide) - TDX SPREE .....	72
Arms, w/o Mtg. Hdwr., Adj. Hgt. (16-20" W) - TDX SC .....	76
Arms, w/o Mtg. Hdwr., Fixed Hgt. (16-20" W) - TDX SC .....	74
Back Cane Mounting Hardware (12"-15" Wide) Conv. Back - TDX SPREE .....	58
Back Cane Mounting Hardware (12"-16" Wide) BPO Option - TDX SPREE .....	60
Back Cane Mounting Hardware (16"-20" Wide) (Contoura Back, ABS Curved Back and Tilt w/ BPO Option) - TDX SC	62
Back Cane, Spreader Bar/Push Handle Asbly. (12"-15" Wide) Conv. Back - TDX SPREE .....	52
Back Cane, Spreader Bar/Push Handle Asbly. (12"-16" Wide) BPO Option - TDX SPREE .....	50

# TABLE of CONTENTS

<b>Description</b>	<b>Page Number</b>
Back Canes (16"-20" Wide) (Contoura Back, ABS Curved Back and Tilt w/ BPO Option) - TDX SC	54
Back Canes, Solid Straight w/o Push Handle and Mtg. Hdwr., Conv. Tilt (16"-20" Wide) TDX SC & (16" Wide) TDX SPREE	56
Back, ABS Curved Assembly (16"-20" Wide) - TDX SC .....	37
Back, Contoura without Mounting Hardware - TDX SC .....	29
Back, Conventional without Mounting Hardware (12"-15" Wide) - TDX SPREE .....	31
Back, Conventional without Mounting Hardware (16"-20" Wide) TDX SC & (16" Wide) TDX SPREE	34
Back, Mounting Hardware, ABS Curved - TDX SC .....	48
Back, Mounting Hardware, Contoura Tilt - TDX SC .....	43
Back, Mounting Hardware, Conventional (12"-15" Wide) - TDX SPREE .....	45
Back, Mounting Hardware, Conventional (16"-20" Wide) TDX SC & (16" Wide) TDX SPREE	46
Electronics - Dual Legs Integrated Actuator Module (DLIAM) MK6i For ELRPW Front Riggings - TDX SC	128
Electronics - MK6i ~PLEASE READ THIS .....	130
Frame Finishes, Touch-Up Paints and Upholstery Options .....	7
Frame, Seat & Seat Pan w/ Hdwr. (12"-16" Wide) .....	14
Frame, Seat & Seat Pan w/ Hdwr. (16"-20" Wide) Conv., (16", 18", 20" Wide) Contoura .....	16
Front Rigging - Adjustable Angle Footplates - AT5543 .....	103
Front Rigging - Calf Pads and Attaching Hardware .....	97
Front Rigging - Center Mount Rigging (CTMT-F with CTMTFB One PC Flip-Up Footboard) ..	116
Front Rigging - Center Mount Rigging (CTMT-F) .....	112
Front Rigging - Center Mount Rigging (CTMT-FJ with CTMTFB One PC Flip-Up Footboard) .	114
Front Rigging - Center Mount Rigging (CTMT-FJ) .....	110

# TABLE of CONTENTS

Description	Page Number
Front Rigging - Center Mount Rigging Mtg Hdwr. (12"-16" Wide) - TDX SPREE .....	118
Front Rigging - Center Mount Rigging Mtg Hdwr. (16"-20" Wide) - TDX SC .....	120
Front Rigging - Footrest and Legrest Accessories .....	106
Front Rigging - Footrest Support Assemblies (Sector Style) .....	86
Front Rigging - Footrest Supports, (Hemi) - PH93M2 .....	90
Front Rigging - Footrest Supports, (Hemi) - PHW93 .....	88
Front Rigging - Front Rigging Hanger Hdwr., Pin & Sector Style (12"-20" Wide) .....	84
Front Rigging - Legrest Supports, Articulating (Hemi) - PHAL4A .....	94
Front Rigging - Legrest Supports, AT5544 .....	92
Front Rigging - Pivot/Slide Tube and 1650, 1350 Aluminum Footplates .....	101
Front Rigging - Pivot/Slide Tube and 1651 Composite Footplates .....	99
Front Rigging - Power Articulating Legrest - ELRPW/ELRPW22 - TDX SC .....	125
Front Rigging - Power Elevating Legrest - Articulating (MPCTMT/MPCTMT-L) - TDX SC .....	123
Front Rigging - Reference Chart - 70ST TAPER .....	83
Front Rigging - Reference Chart - 90 SWING .....	80
Front Rigging - Reference Chart - AT5544, 70NHD, PHW93 .....	78
Front Rigging - Reference Chart - PH93M2 .....	81
Front Rigging - Reference Chart - PHAL4A .....	82
Label Locations For TRBKTS Options .....	10
Mercury Switches and Hardware - TDX SC .....	26
Packaging and Literature .....	8

# TABLE of CONTENTS

<b>Description</b>	<b>Page Number</b>
Seat Cushion Assembly, Contoura - TDX SC .....	28
Seat Frame Mounting Hardware - TDX SPREE .....	18
Seat Height Adjustment Slide Tubes and Mounting Hardware - TDX SC .....	12
Spreader Bar Assembly, Conventional (16"-20" Wide) TDX SC & (16" Wide) TDX SPREE ...	64
Spreader Bar Assembly, Double, (16"-20" Wide) TDX SC & (14"-16") TDX SPREE w/ BPO Option	66
Tilt Interface Hardware (Includes Seat Frame Mtg. Hdw., Prop Rod and Tilt Interface Plate Hdw.) TDX SC	20
Tilt Links and Mounting Hardware .....	22
TRBKTS Option Clarification Reference .....	11

# **A: READ THIS FIRST (THIS CATALOG IS DIFFERENT!)**

Formula™ CG Tilt (CGT) Powered Seating on TDX SC and TDX SPREE parts catalog information is divided into two separate catalogs.

The Form Numbers and Cover Titles are listed below.

## **Form # 08-077**

Formula™ CG Tilt (CGT) Powered Seating  
on TDX SC and TDX SPREE

## **Form # 06-110**

MK6i Electronics

**Use both form numbers to order a “complete” Parts Catalog**

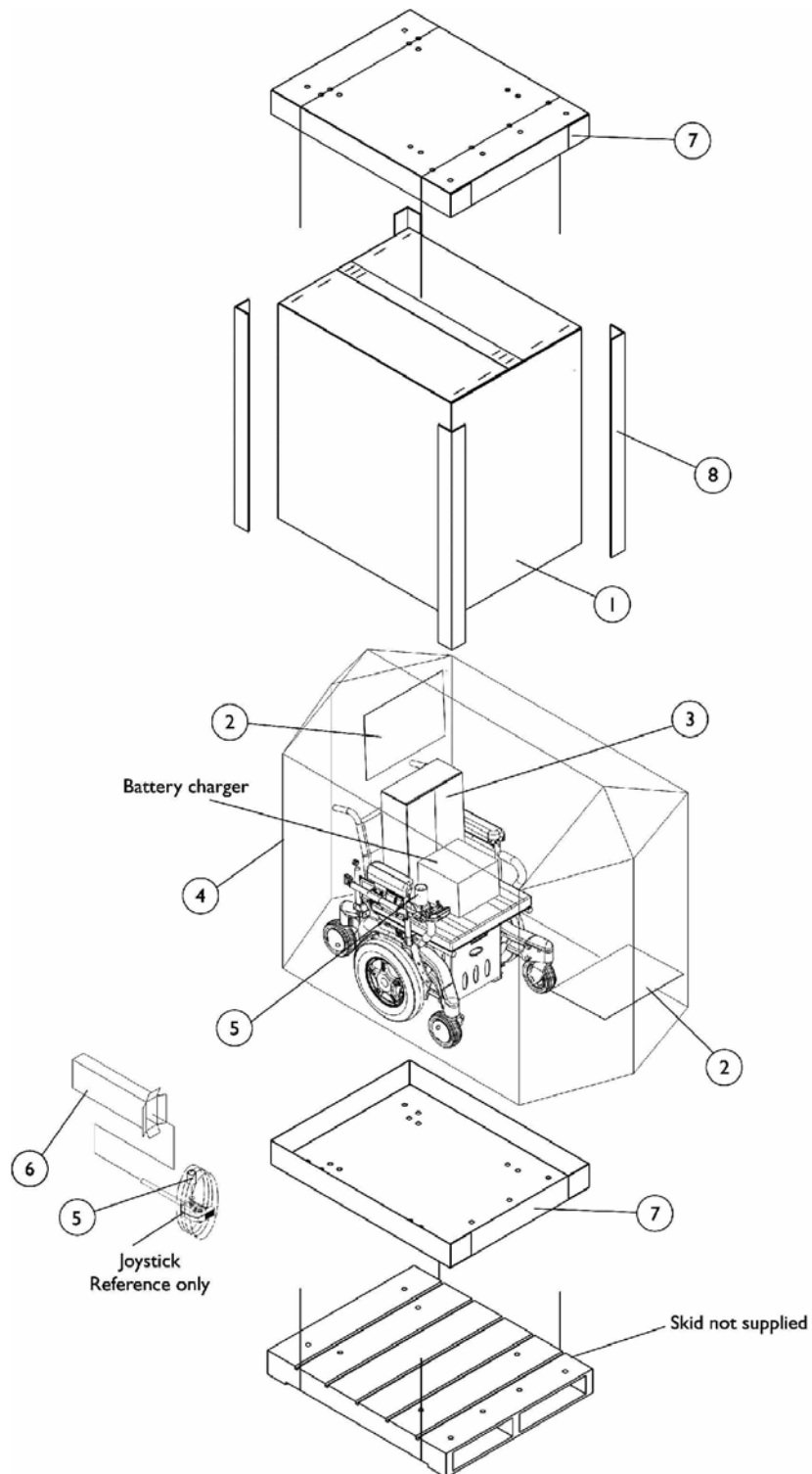
# Frame Finishes, Touch-Up Paints and Upholstery Options

## Frame Finishes and Touch-Up Paint

Color Number	Part Number	Bottle Size	Frame Finish
24P	1031450	.6 oz.	Wet Black
30P	1074167 See Note(s) B	.6 oz.	Sunny Yellow
60P	N/A	N/A	Silver Metallic
61P	1046321	.6 oz.	Electric Red
62P	1046320	.6 oz.	Electric Blue
115P	1133371 See Note(s) A	.6 oz.	Black Prism
119P	1133375 See Note(s) B	.6 oz.	Bubblegum Pink
120P	1133376	.6 oz.	Grape Madness
127P	1133383	.6 oz.	Grasshopper Green See Note(s) A
NOTE: A - Frame finish offered on TDX SC models only B - Frame finish offered on TDX SPREE models only			



# Packaging and Literature



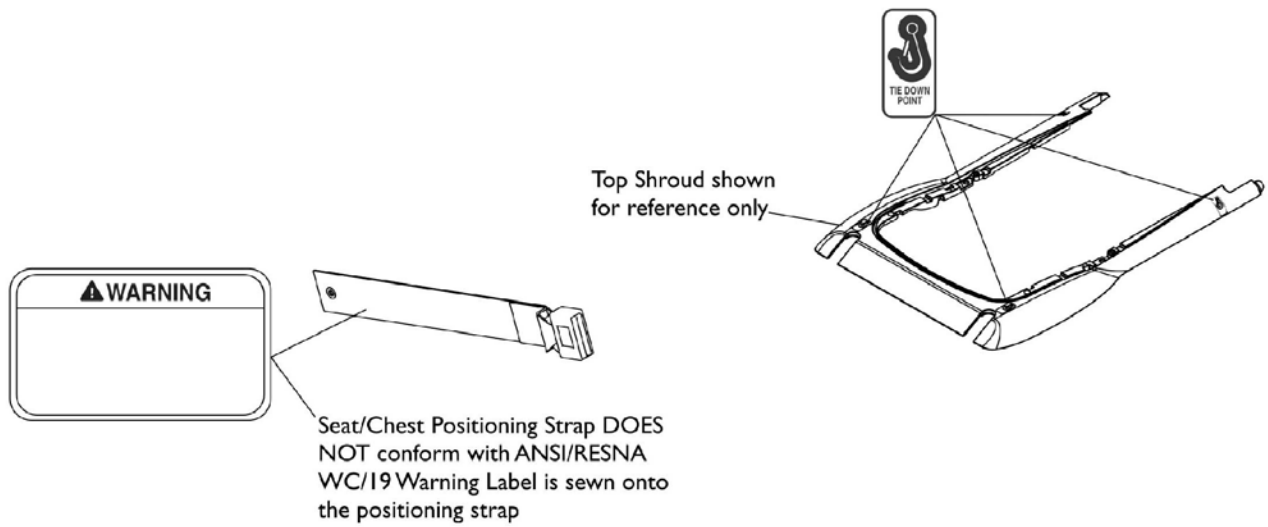
## Packaging and Literature

Item Number	Note	Part Number	Description	Quantity Per	
				Package	Assembly
1	A	1030364	Carton, Cover	1	1
1	B	1031682	Carton, Cover	1	1
1	C	1036028	Carton, Cover	1	1
2		40131X161	Insert, Plain Pad	1	2
3		40131X011	Carton, Front Riggings	1	1
4		1015592	Bag, Poly (72" L x 35" W x 19" D)	1	1
5		1043198-NLA	Tube, Paper	1	1
6		1012001	Carton, Joystick	1	1
7	D	1030362	Carton, Tray	1	2
7	E	1036027	Carton, Tray	1	2
8	D	1115174	Carton, Corner Reinforcement	1	4
8	B	1129589	Carton, Corner Reinforcement	1	4
8	E	1129590	Carton, Corner Reinforcement	1	4
		00077X031	Warranty Card	1	1
	F	1143155	Manual, Owner's Formula CG Seating	1	1

NOTE: A - 12"-20" wide systems with base  
 B - 16"-20" wide systems medium/tall seat-to-floor heights with base  
 C - 16"-20" wide systems with base and Compact Vent  
 D - 12"-20" wide systems with base  
 E - 16"-20" wide systems with base and Compact Vent  
 F - Not Shown

When adjusting or replacing parts, please refer to your Owner's Manual for assistance.

# Label Locations For TRBKTS Options



## TRBKTS Option Label Locations

# TRBKTS Option Clarification Reference

TRBKTS Option is an On-Chair option only.

## About TRBKTS Transport Ready Package

**TRBKTS** includes four factory-installed wheelchair transport brackets. **TRBKTS** has not been crash-tested in accordance with WC 19. Use these transport brackets only to secure an unoccupied wheelchair during transport.

Only use the transport brackets included with **TRBKTS** for the purpose described in the appropriate Owner's Operator and Maintenance Manual.

Battery support brackets **MUST** be installed at all times. Otherwise, the wheelchair will not be WC/19 compliant. Refer to Removing/Installing the Batteries From/Into the Wheelchair in the appropriate Owner's Operator and Maintenance Manual.

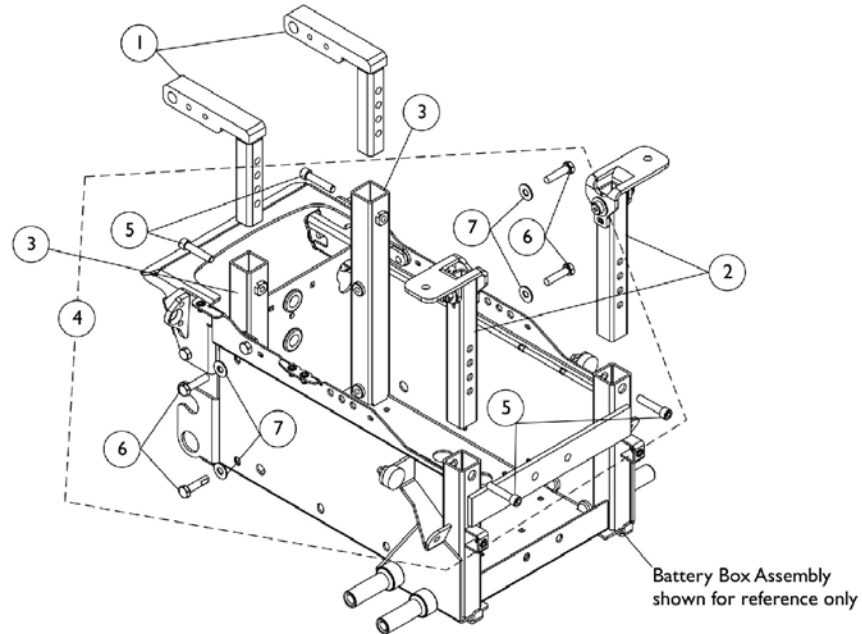
As of this date, the Department of Transportation has not approved any tie-down systems for transportation of a user while in a wheelchair, in a moving vehicle of any type. It is Invacare's position that users of wheelchairs should be transferred into appropriate seating in vehicles for transportation and use be made of the restraints made available by the auto industry. Invacare cannot and does not recommend any wheelchair transportation systems.

**NOTE:** ANSI = American National Standards Institute, RESNA = Rehabilitation Engineering and Assistive Technology Society of North America.

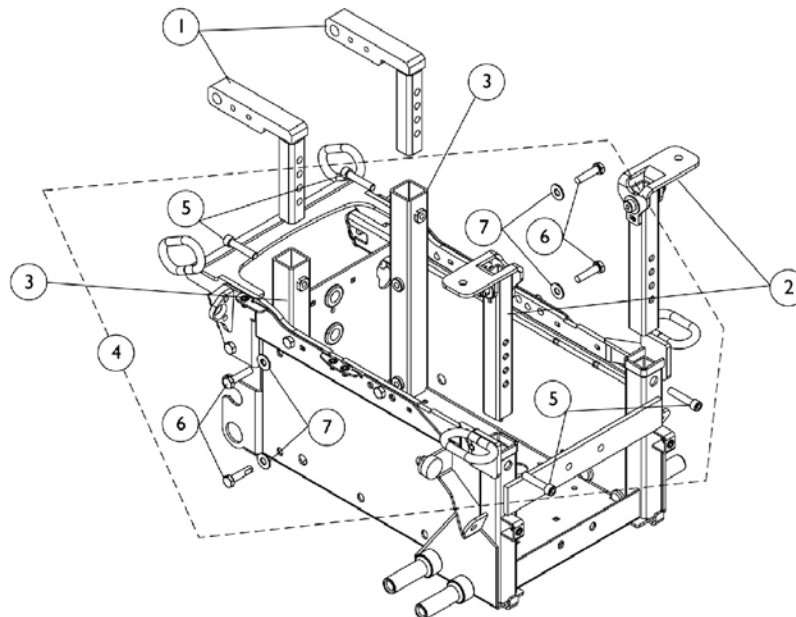
# Seat Height Adjustment Slide Tubes and Mounting Hardware

## TDX SC

LOW Seat-To-Floor = 17-3/4", MED Seat-To-Floor = 18-1/2", TALL Seat-To-Floor = 19-1/4"



**Seat Height Adjustment Slide Tubes and Mounting Hardware without TRBKTS Option**



**Seat Height Adjustment Slide Tubes and Mounting Hardware with TRBKTS Option**

# Seat Height Adjustment Slide Tubes and Mounting Hardware

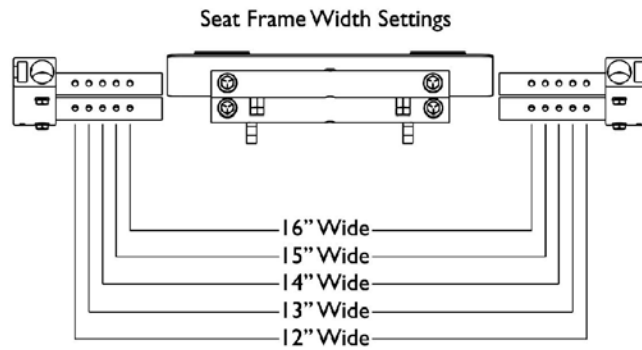
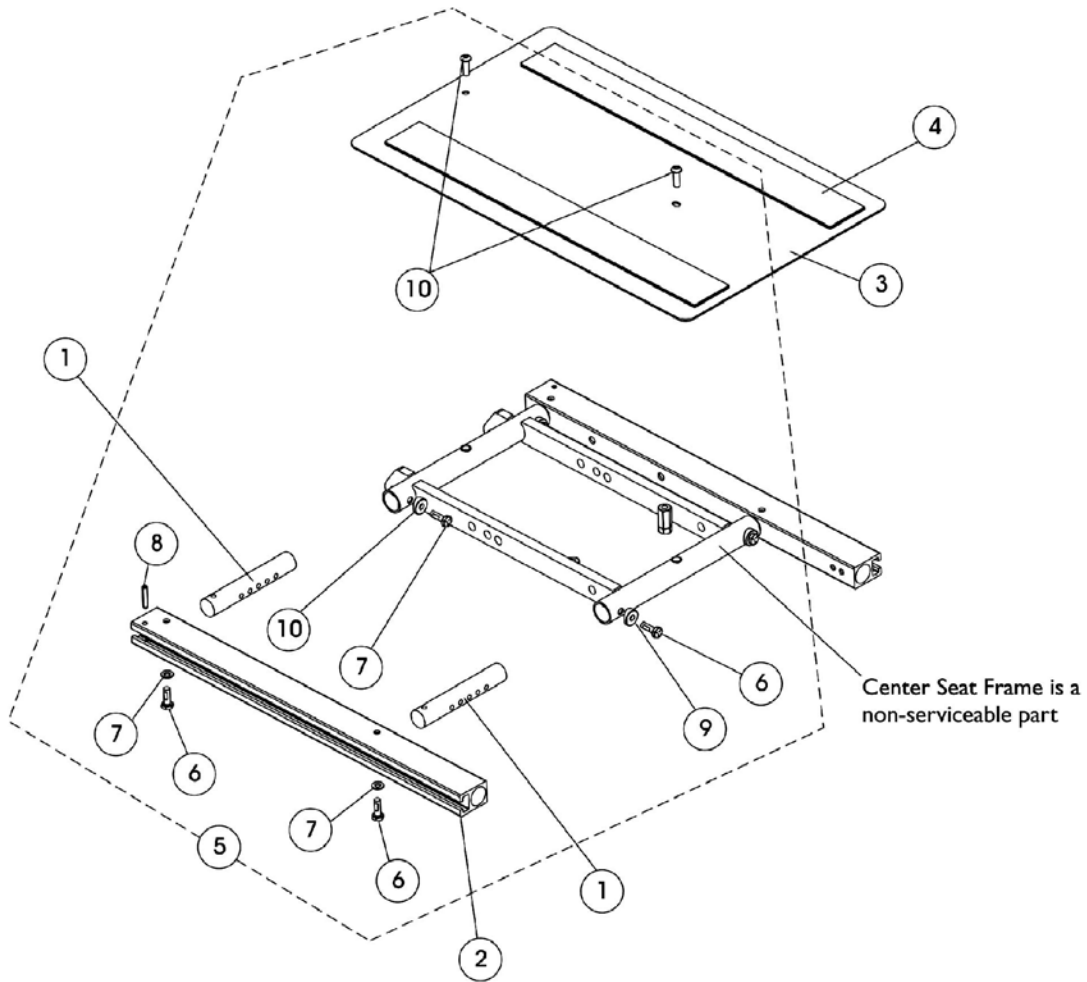
## TDX SC

LOW Seat-To-Floor = 17-3/4", MED Seat-To-Floor = 18-1/2", TALL Seat-To-Floor = 19-1/4"

Item Number	Note	Part Number	Description	Quantity Per	
				Package	Assembly
1		1150900	Slide Tube, Seat Height Adjustment CGT - Rear	1	2
2		1147977	Slide Tube, Seat Height Adjustment CGT - Front	1	2
3		1149556	Tube, Rear Upright - Right	1	1
3		1149557	Tube, Rear Upright - Left	1	1
4	A	1154114	Kit, Seat Height Adjustment Slide Tube Mounting Hardware	1	1
5			Screw, Socket Head Cap with Patch (5/16-18 x 1-1/2")	1	4
6			Screw, Hex Head Cap with Patch (5/16-18 x 1-1/4")	1	4
7			Washer (5/16 x 3/4 x 1/16")	1	4

NOTE: A - Includes items 5-7

# Seat Frame and Seat Pan w/ Hardware (12"-16" Wide)



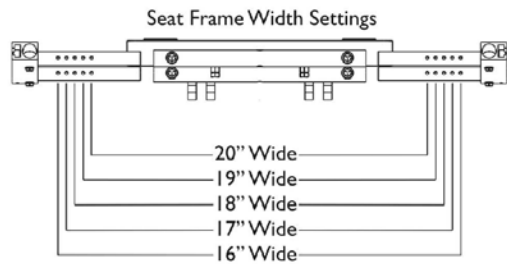
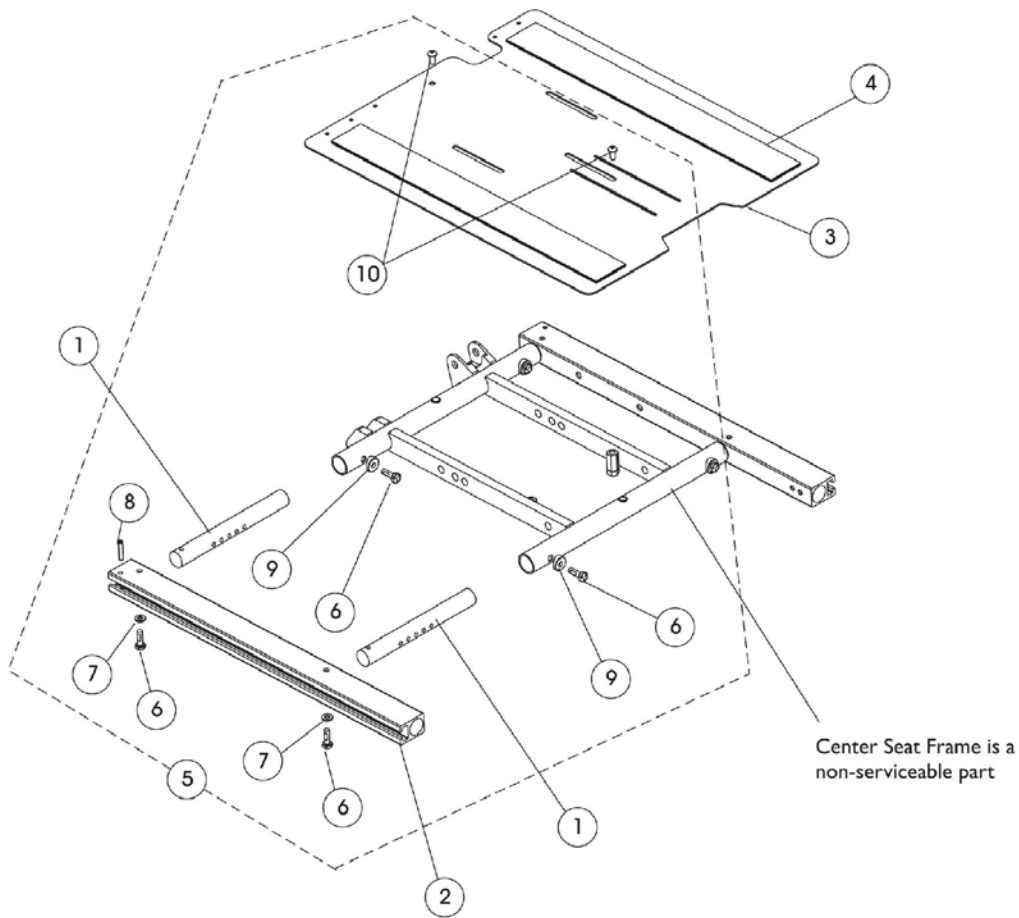
## Seat Frame and Seat Pan w/ Hardware (12"-16" Wide)

Item Number	Note	Part Number	Description	Quantity Per	
				Package	Assembly
1		1142955	Crossbar, Seat Frame (12-16" Wide)	1	4
2		1142951	Rail, Seat Frame (15" Long) (For 12-19" Deep Conventional)	1	2
3	A	1142961	Seat Pan w/ Hook and Loop Fasteners (12-16 W x 12-18" D)	1	1
4		1043082	Hook Fastener, Adhesive (2" x 18")	1	2
4		1044580	Loop Fastener, Adhesive (2" x 18")	1	2
5	B	1144581	Kit, Seat Frame Assembly Hardware (12"-24" Wide)	1	1
6			Screw, Hex Head (1/4-20 x 3/4")	1	8
7			Washer (1/4 x 1/2 x 1/16")	1	4
8			Pin, Roll (3/16 x 1")	1	2
9			Spacer, Coved (1/4 x 11/16 x 1/2")	1	4
10			Screw, Socket Head (1/4-20 x 3/4")	1	2
NOTE: A - Includes item 4 B - Includes items 6-10					



# Seat Frame, Seat Pan and Hardware

(16"-20" W x 16"-20" Deep) Conv., (16", 18", 20" Wide x 16"-20" Deep)  
**Contoura**

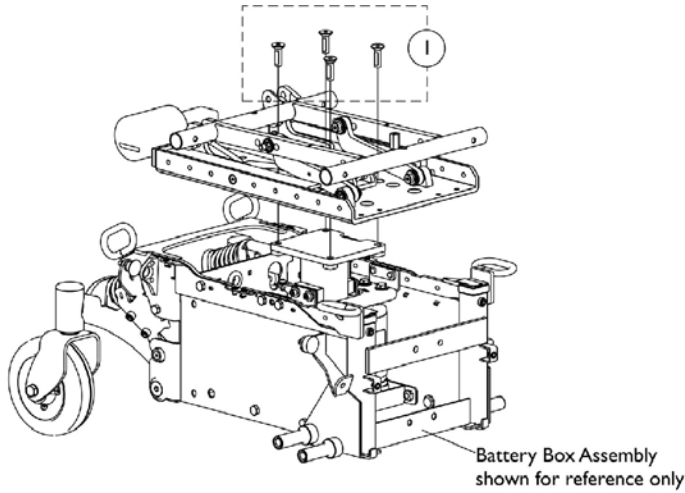


## Seat Frame, Seat Pan and Hardware (16"-20" W x 16"-20" Deep) Conv., (16", 18", 20" Wide x 16"-20" Deep) Contoura

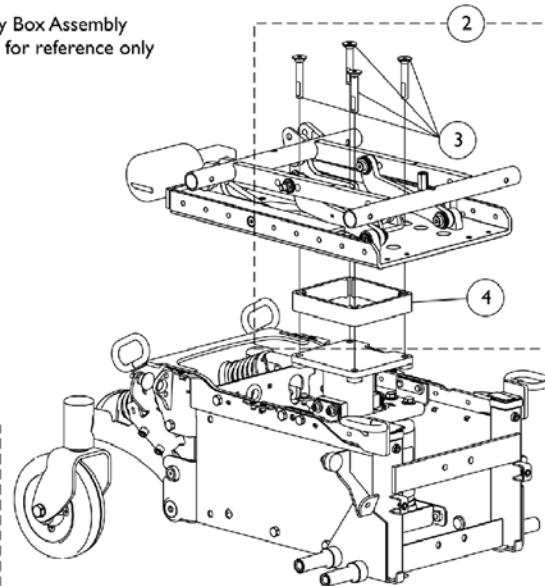
Item Number	Note	Part Number	Description	Quantity Per	
				Package	Assembly
1		1122475	Crossbar, Seat Frame (16"-20" Wide)	1	4
2		1142951	Rail, Seat Frame (15" Long) (For 12-19" Deep Conventional)	1	2
2		1142952	Rail, Seat Frame (18" Long) (For 19-22" Deep Conventional)	1	2
2	D	1142953	Rail, Seat Frame (21" Long) (For 16-19" Deep Contoura)	1	2
2	D	1142954	Rail, Seat Frame (24" Long) (For 19-22" Deep Contoura)	1	2
3		1143748	Seat Pan w/ Hook and Loop Fasteners (16-20" W x 16-19" D)	1	1
3		1143789	Seat Pan w/ Hook and Loop Fasteners (16-20" W x 19-22" D)	1	1
4	A	1043082	Hook Fastener, Adhesive (2" x 18")	1	2
4	A	1044580	Loop Fastener, Adhesive (2" x 18")	1	2
4	B	1043084	Hook Fastener, Adhesive (2" x 22")	1	2
4	B	1044584	Loop Fastener, Adhesive (2" x 22")	1	2
5	C	1144581	Kit, Seat Frame Assembly Hardware (12"-24" Wide)	1	1
6			Screw, Hex Head (1/4-20 x 3/4")	1	8
7			Washer (1/4 x 1/2 x 1/16")	1	4
8			Pin, Roll (3/16 x 1")	1	2
9			Spacer, Coved (1/4 x 11/16 x 1/2")	1	4
10			Screw, Socket Head (1/4-20 x 3/4")	1	2
<p>NOTE: A - For 16-19" deep seat pans            B - For 19-22" deep seat pans. TDX SC systems only extend 20" deep only            C - Includes items 6-10            D - When a Contoura Seating System and Power Elevating Legrest (MPCTMT/MPCTMT-L) are ordered "together", the shorter length 15" or 18" long Conventional Seat Rails must be ordered instead. This will prevent the legrest from being positioned to far forward.</p>					

# Seat Frame Mounting Hardware TDX SPREE

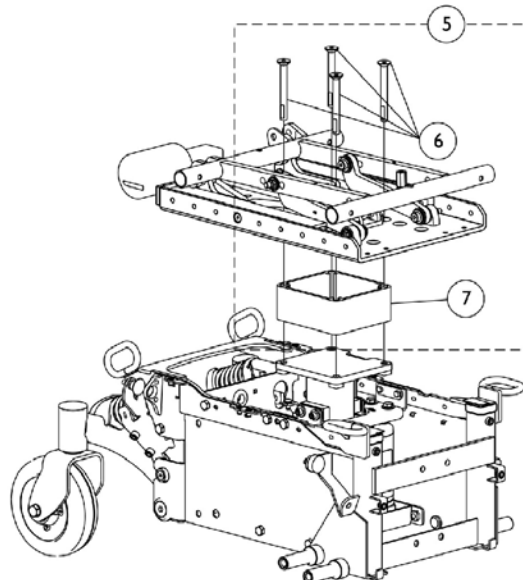
LOW Seat-To-Floor = 16-3/4", MED Seat-To-Floor = 17-3/4", TALL Seat-To-Floor = 18-3/4"



**Seat Frame Mounting Hardware  
LOW Seat-To-Floor**



**Seat Frame Mounting Hardware  
MED Seat-To-Floor**



**Seat Frame Mounting Hardware  
TALL Seat-To-Floor**

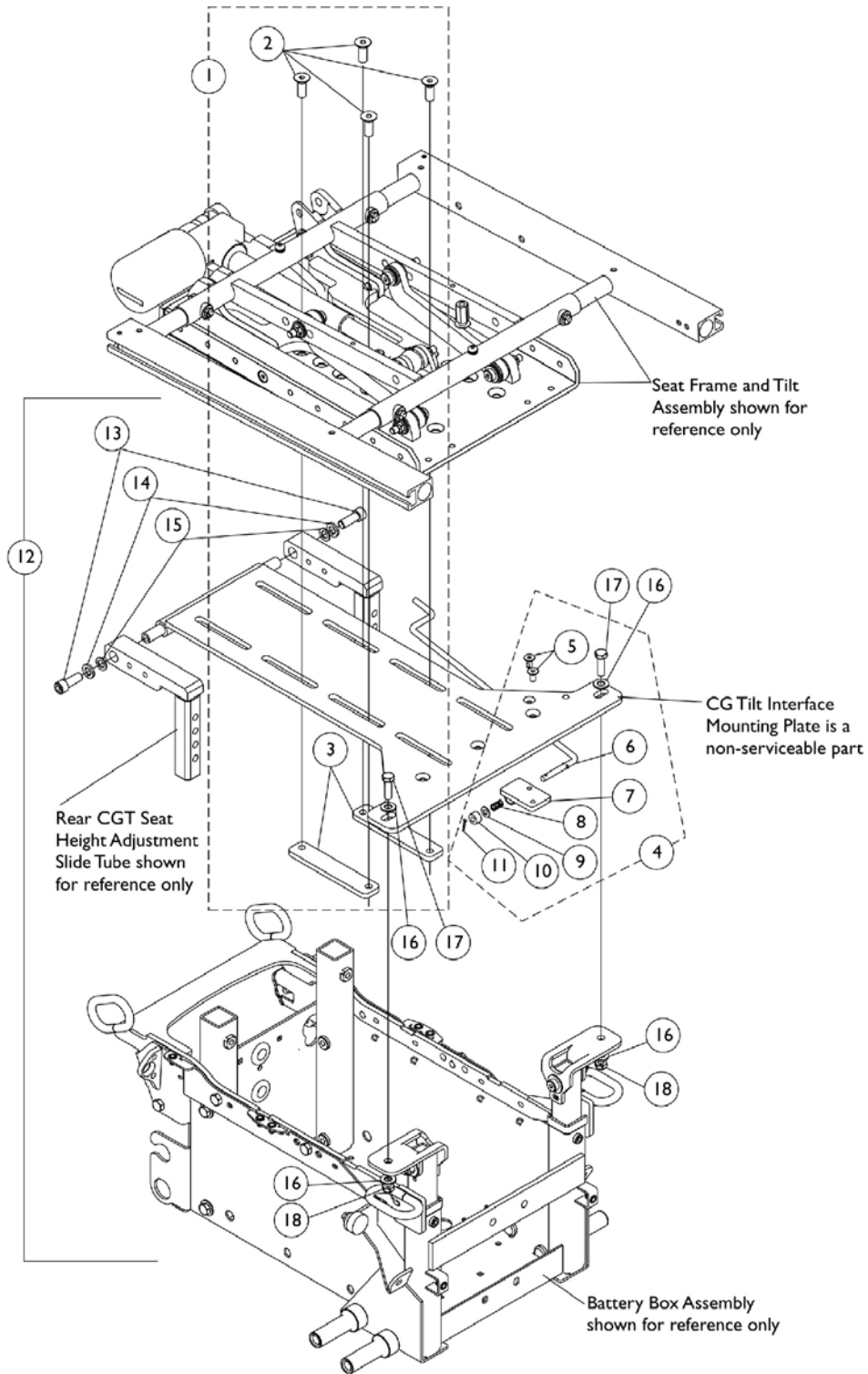
## Seat Frame Mounting Hardware TDX SPREE

LOW Seat-To-Floor = 16-3/4", MED Seat-To-Floor = 17-3/4", TALL Seat-To-Floor = 18-3/4"

Item Number	Note	Part Number	Description	Quantity Per	
				Package	Assembly
1		1152752	Screw, Socket Flat Countersunk Head with Patch (3/8-16 x 1-1/4")	1	4
2	A	1154213	Kit, Seat Frame Mounting Hardware (Med Seat-To-Floor)	1	1
3			Screw, Socket Flat Countersunk Head with Patch (3/8-16 x 2-1/4")	1	4
4			Bracket, 1" Seat-To-Floor	1	1
5	B	1154214	Kit, Seat Frame Mounting Hardware (Tall Seat-To-Floor)	1	1
6			Screw, Socket Flat Countersunk Head with Patch (3/8-16 x 3-1/4")	1	4
7			Bracket, 2" Seat-To-Floor	1	1
3		1154215	Screw, Socket Flat Countersunk Head with Patch (3/8-16 x 2-1/4")	1	4
6		1154216	Screw, Socket Flat Countersunk Head with Patch (3/8-16 x 3-1/4")	1	4
NOTE: A - Includes items 3 and 4 B - Includes items 6 and 7					

# Tilt Interface Hardware

## TDX SC

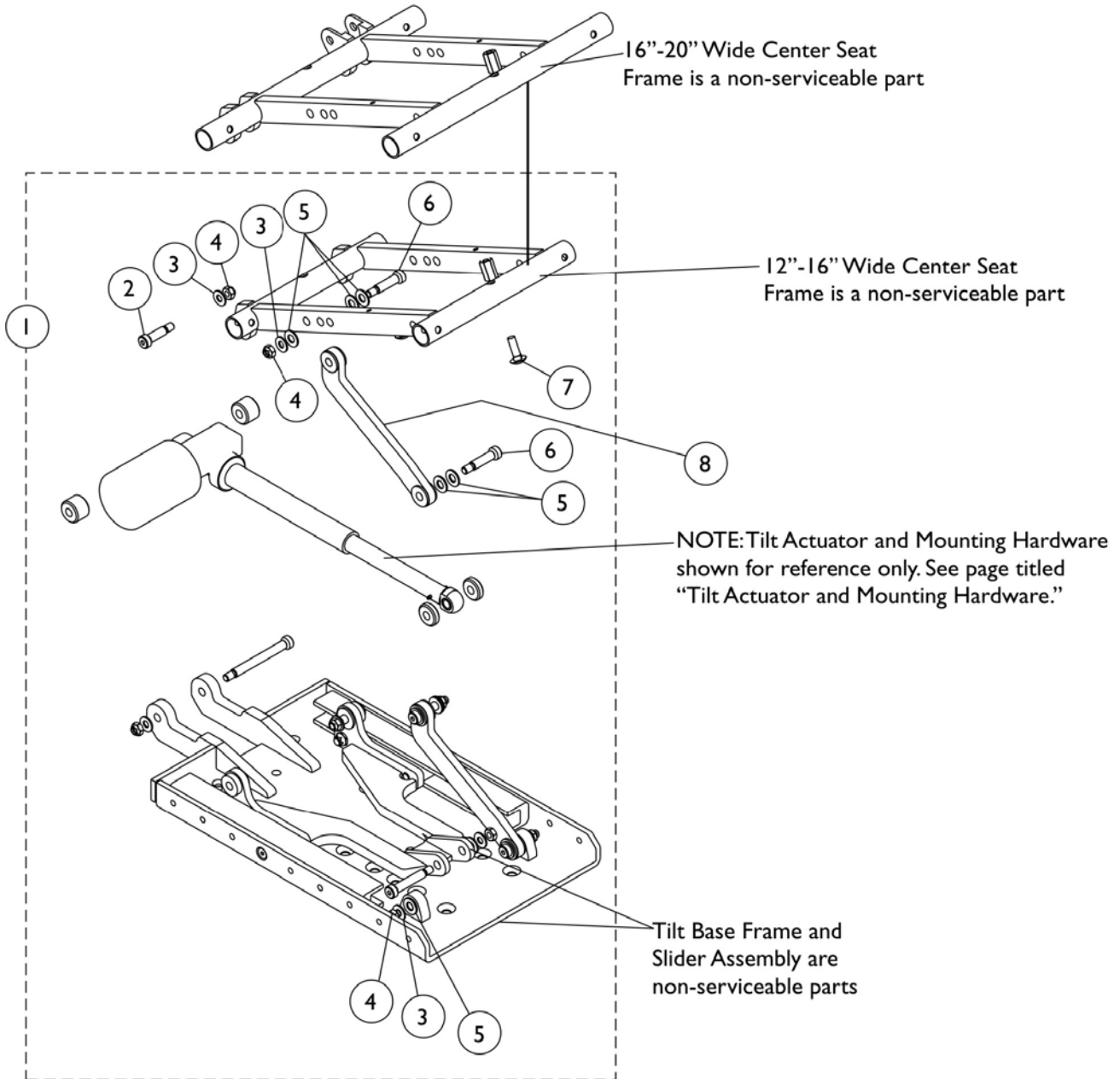


## Tilt Interface Hardware TDX SC

Item Number	Note	Part Number	Description	Quantity Per	
				Package	Assembly
1	A	1150901	Kit, Seat Frame Mounting Hardware	1	1
2			Screw, Socket Flat C'Sunk Head Cap (3/8-16 x 1")	1	4
3			Bracket, Clamping	1	2
4	B	1150898	Kit, Prop Rod Assembly	1	1
5			Screw, Socket Flat Head Cap Countersunk w/ Patch (1/4-20X1/2")	1	2
6			Rod, Prop	1	1
7			Bracket, Prop Rod	1	1
8			Spring, Arm Lock	1	1
9			Washer, Nylon (1/4 x 1/2 x 1/32")	1	1
10			Washer, Nylon (1/4 x 1/2 x 9/32")	1	1
11			Cotter Pin (5/64 x 1/2")	1	1
12	C	1154113	Kit, Interface Plate Mounting Hardware	1	1
13			Screw, Socket Head Cap (3/8-16 x 1")	1	2
14			Washer, Lock (3/8")	1	2
15			Washer, Plain (1/4 x 9/16 x 1/16")	1	2
16			Washer (11/32 x 11/16 x 1/16")	1	4
17			Screw, Hex Head Cap (5/16-18 x 1")	1	2
18			Locknut (5/16-18)	1	2
NOTE: A - Includes items 2 and 3 B - Includes items 5-11 C - Includes items 13-18					

# Tilt Links and Mounting Hardware

NOTE: Item #8 Tilt Links are currently not available as a service part



# Tilt Links and Mounting Hardware

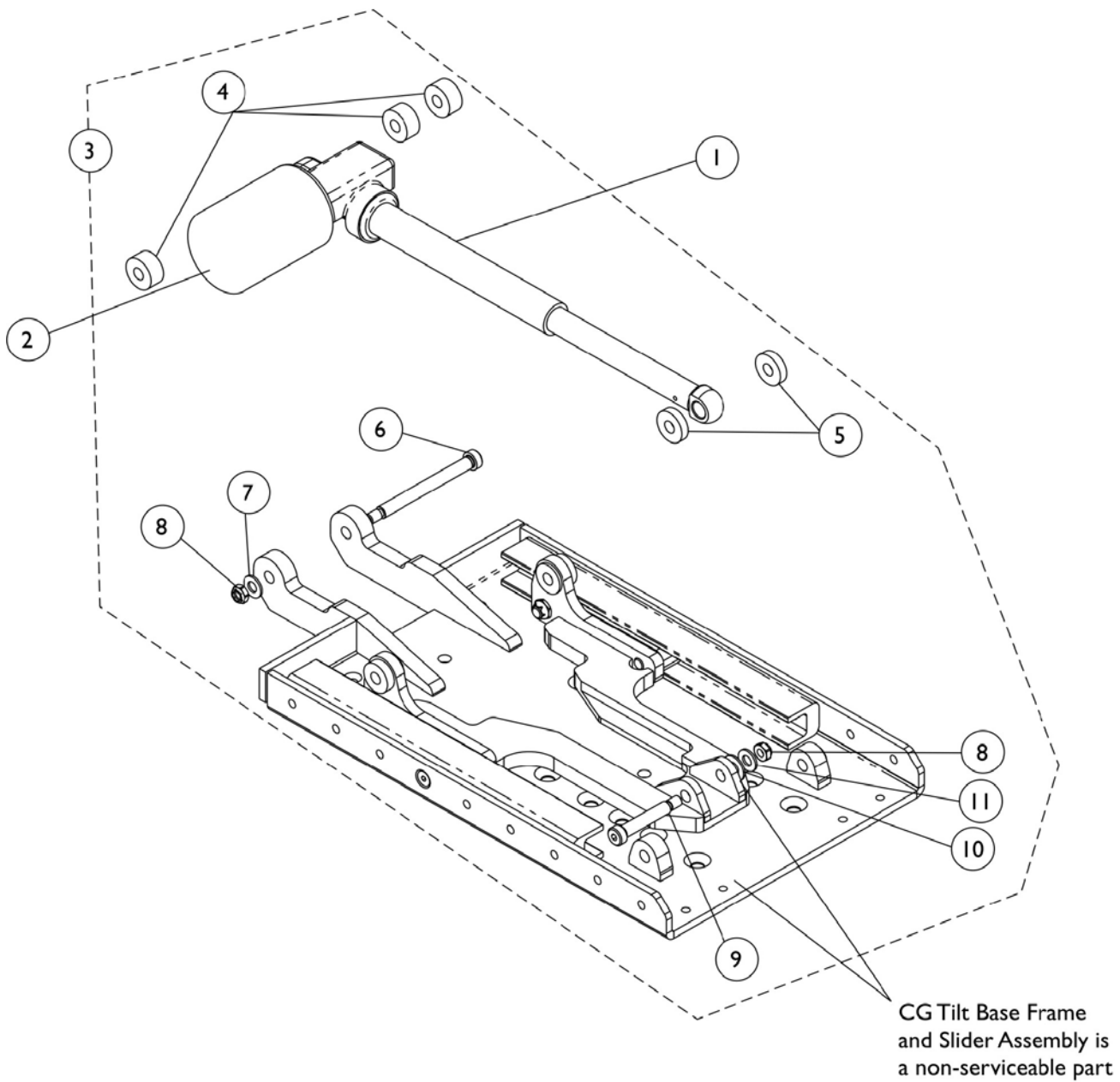
NOTE: Item #8 Tilt Links are currently not available as a service part

Item Number	Note	Part Number	Description	Quantity Per	
				Package	Assembly
1	A	1146451	Kit, Tilt Link Mounting Hardware 12"-16" Wide	1	1
2			Screw, Socket Head Shoulder (3/8 x 1")	1	2
3			Washer (11/32 x 11/16 x 1/16")	1	6
4			Locknut (5/16-18)	1	6
5			Washer, Nylon (3/8 x 13/16 x 1/16")	1	12
6			Screw, Shoulder Socket Head (3/8 x 1-1/4")	1	4
7			Bolt, Round Head Square Neck (5/16-18 x 1")	1	2
1	A	1144587	Kit, Tilt Link Mounting Hardware 16"-24" Wide	1	1
2			Screw, Socket Head Shoulder (3/8 x 1-1/2")	1	2
3			Washer (11/32 x 11/16 x 1/16")	1	6
4			Locknut (5/16-18)	1	6
5			Washer, Nylon (3/8 x 13/16 x 1/16")	1	12
6			Screw, Shoulder Socket Head (3/8 x 1-1/4")	1	4
7			Bolt, Round Head Square Neck (5/16-18 x 1")	1	2

NOTE: A - Includes items 2-7. TDX SC Tilt Only system extends 20" wide only



# Tilt Actuator Motor and Mounting Hardware



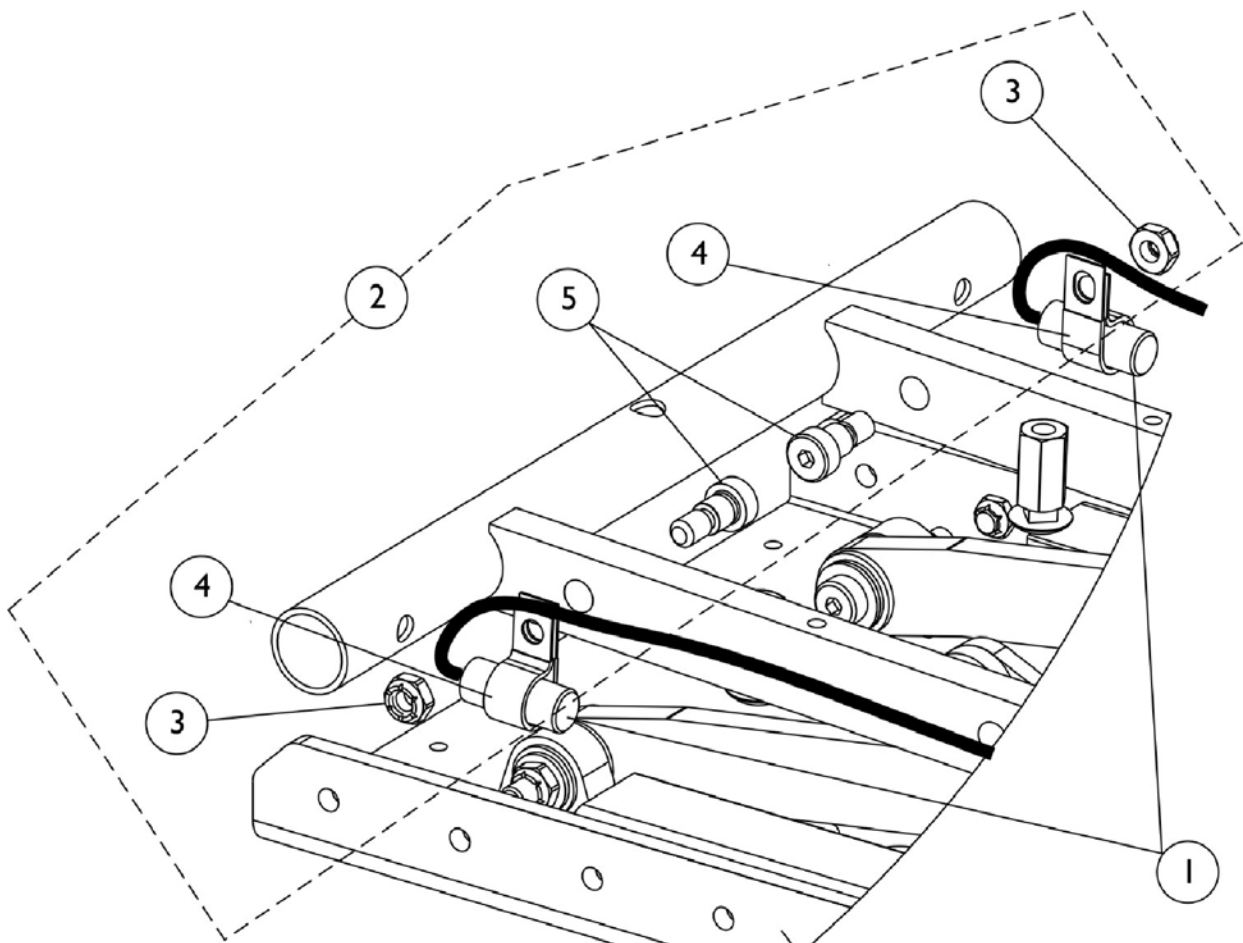
## Tilt Actuator Motor and Mounting Hardware

Item Number	Note	Part Number	Description	Quantity Per	
				Package	Assembly
1		1143801	Kit, Tilt Actuator (Conventional) Motor	1	1
2		1144610	Cover, Tilt Actuator Motor Boot	1	1
3	A	1153721	Kit, Tilt Actuator Motor Mounting Hardware	1	1
4			Spacer (3/8 x 1 x 1/2")	1	3
5			Washer, Nylon (13/32 x 1 x 1/4")	1	2
6			Screw, Socket Head Shoulder (3/8 x 3-1/2")	1	1
7			Washer (11/32 x 11/16 x 1/16")	1	1
8			Locknut (5/16-18)	1	2
9			Screw, Socket Head Shoulder (3/8 x 1-3/4")	1	1
10			Washer, Plain (1/4 x 9/16 x 1/16")	1	1
11			Washer, Flat (5/16 x 5/8 x 1/16")	1	1

NOTE: A - Includes items 4-11

# Mercury Switches and Hardware

## TDX SC



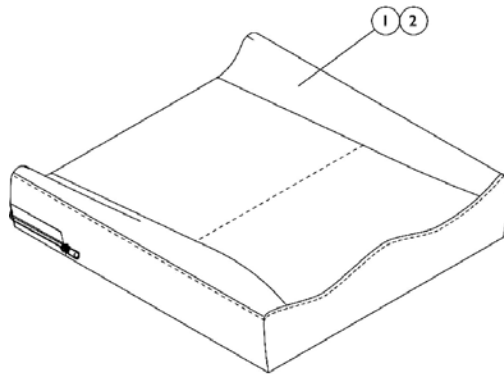
Partial view of a Formula CG  
Tilt Seating is shown for  
reference only

## Mercury Switches and Hardware TDX SC

Item Number	Note	Part Number	Description	Quantity Per	
				Package	Assembly
1		1140099	Switch, Drive Lockout Mercury (MK6i)	1	2
2	A	1154221	Kit, Mercury Switch Mounting Hardware CGT	1	1
3			Locknut (5/16-18)	1	2
4			Bracket, Cable/Wire Mounting, Black	1	2
5			Screw, Socket Head Shoulder with Patch (3/8 x 3/8")	1	2

NOTE: A - Includes items 3-5

# Seat Cushion Assembly TDX SC



## #1 Contoura Seat Cushion Assembly

Chair Width	16" Deep	17" Deep	18" Deep	19" Deep	20" Deep
16" W	1132982 See Note(s) A	1132983 See Note(s) A	1132984 See Note(s) A	1132985 See Note(s) A	1132986 See Note(s) A
18" W	1132987 See Note(s) A	1132988 See Note(s) A	1132989 See Note(s) A	1132990 See Note(s) A	1132991 See Note(s) A
20" W	1132992 See Note(s) A	1132993 See Note(s) A	1132994 See Note(s) A	1132995 See Note(s) A	1132996 See Note(s) A

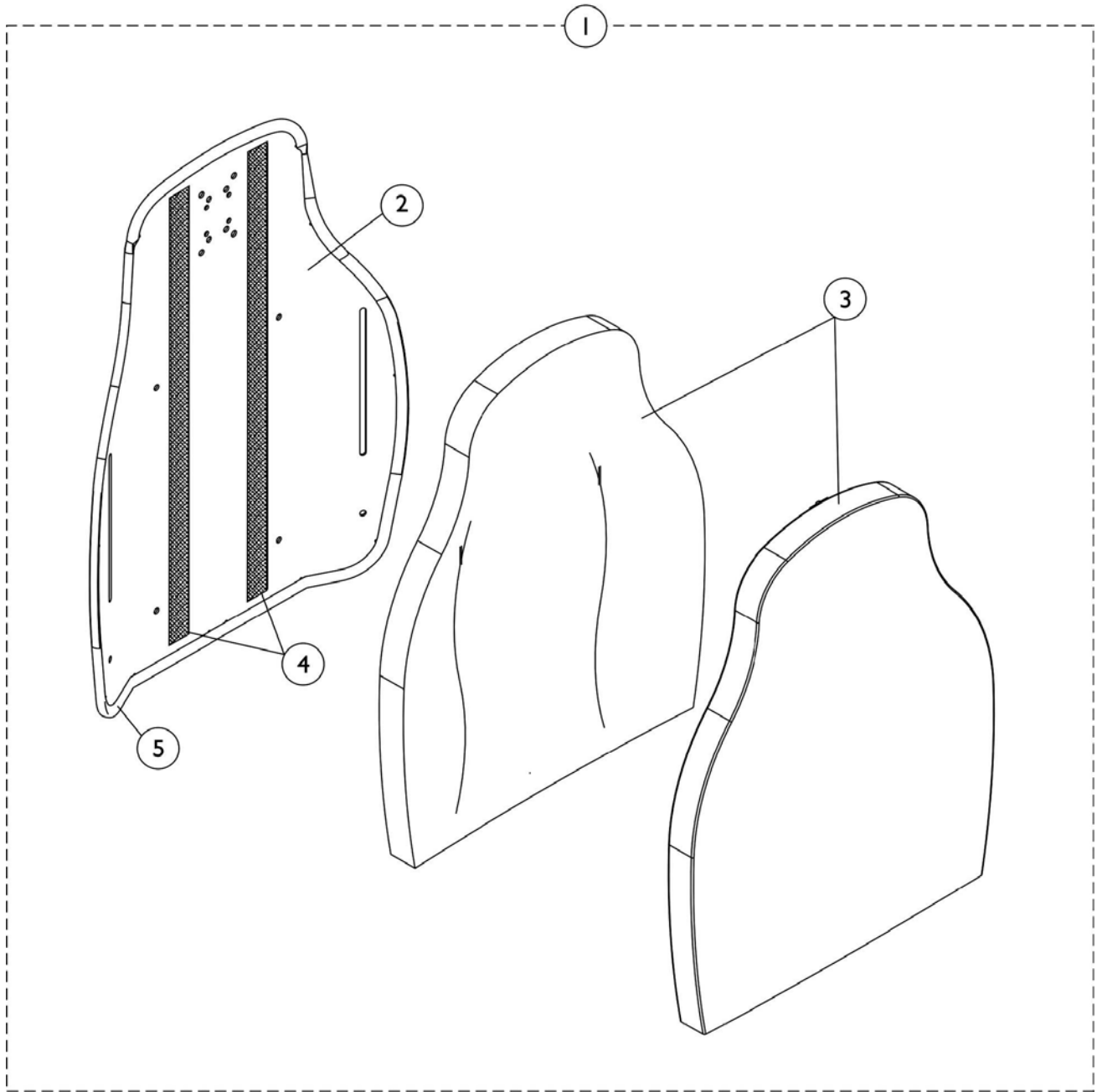
NOTE: A - Cushion Foam is not available separately.

## #2 Contoura Seat Cushion Cover

Chair Width	16" Deep	17" Deep	18" Deep	19" Deep	20" Deep
16" W	1132953	1132954	1132955	1132956	1132957
18" W	1132958	1132959	1132960	1132961	1132962
20" W	1132963	1132964	1132965	1132966	1132967

# Contoura Back without Mounting Hardware

## TDX SC



# Contoura Back without Mounting Hardware TDX SC

## #1 Back Assembly without Hardware 16", 18", 20" Wide

Overall Back Height	Material Back Height	16" Wide	18" Wide	20" Wide
25"	20"	1132828	1132829	1132830
29"	24"	1132825	1124733	1124734

## #2 Back Pan with Vinyl Edge Trim 16", 18", 20" Wide

Overall Back Height	Material Back Height	16" Wide	18" Wide	20" Wide
25"	20"	1131405	1131406	1131407
29"	24"	1131410	1122454	1122453

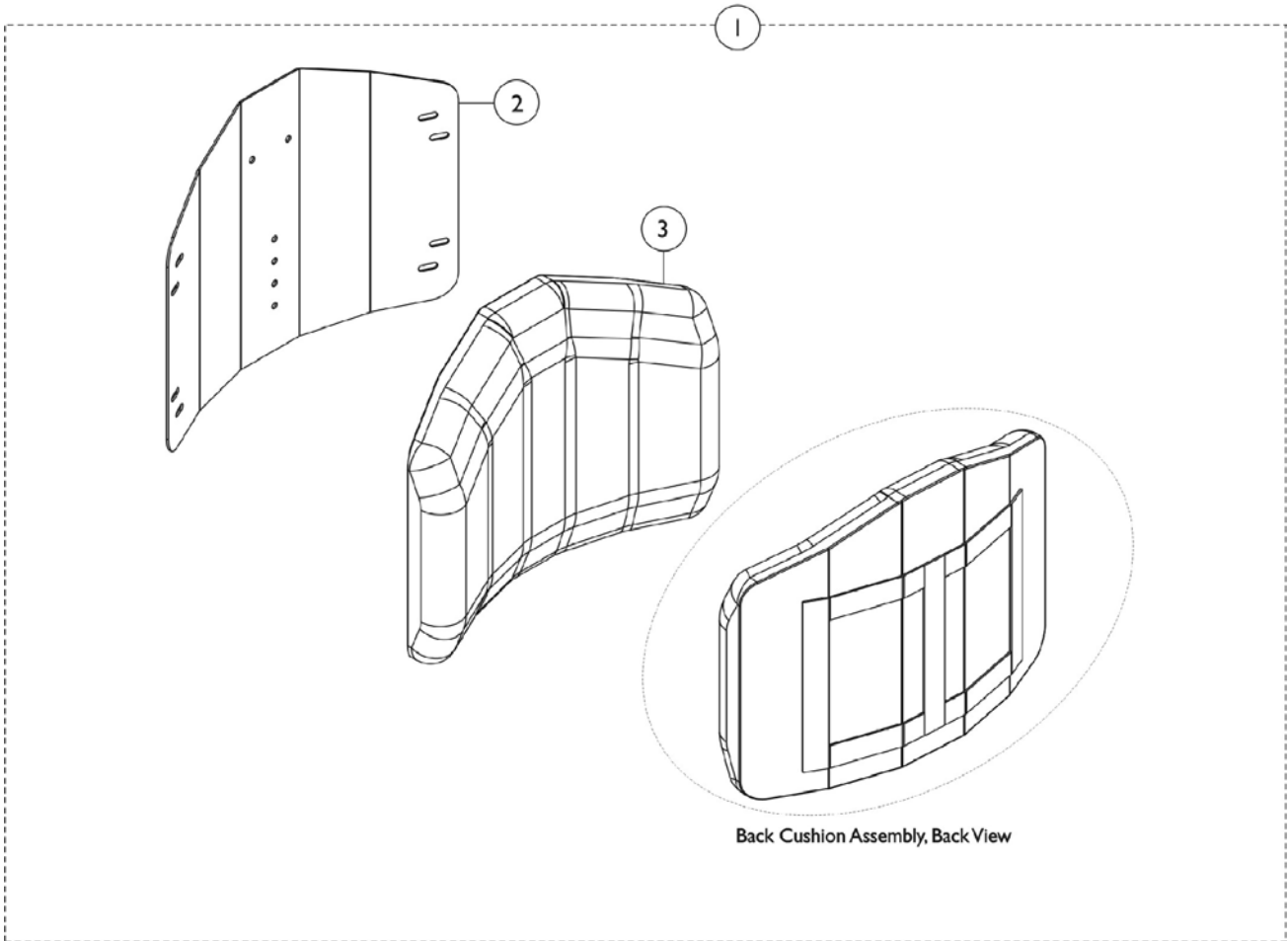
## #3 Back Cushion Assembly 16", 18", 20" Wide

Overall Back Height	Material Back Height	16" Wide	18" Wide	20" Wide
25"	20"	1132820	1132821	1132822
29"	24"	1132817	1125641	1125642

Item Number	Note	Part Number	Description	Quantity Per	
				Package	Assembly
1		See Chart	#1 Back Assembly without Hardware 16", 18", 20" Wide	1	1
2		See Chart	#2 Back Pan with Vinyl Edge Trim 16", 18", 20" Wide	1	1
3		See Chart	#3 Back Cushion Assembly 16", 18", 20" Wide	1	1
4		1125725	Hook Fastener w/ Adhesive Back (1" Wide x 48" Long)	1	1
5		1125724	Edge Trim, Vinyl Black (96" Long) Cut-To-Length	1	1

# Conventional Back without Mounting Hardware (12"-15" Wide) - TDX SPREE

**NOTE:** Hook Fastener Adhesive Kit must be ordered when a Back Pan is requested. This will allow the Loop Fastener Adhesive on the Back Cover to attach properly.



Back Cushion Assembly, Back View



## Conventional Back without Mounting Hardware (12"-15" Wide) - TDX SPREE

**NOTE: Hook Fastener Adhesive Kit must be ordered when a Back Pan is requested. This will allow the Loop Fastener Adhesive on the Back Cover to attach properly.**

### #1 Back Assembly without Hardware

Overall Back Height	Material Back Height	12" Wide	13" Wide	14" Wide	15" Wide
16"	12"	1146269	1146274	1146279	1146284
17"	13"	1146270	1146275	1146280	1146285
18"	14"	1146271	1146276	1146281	1146286
19"	15"	1146272	1146277	1146282	1146287
20"	16"	1146273	1146278	1146283	1146288

### #2 Back Pan without Hook Fastener Adhesive

Overall Back Height	Material Back Height	12" Wide	13" Wide	14" Wide	15" Wide
16"	12"	1148739	1148744	1148749	1148754
17"	13"	1148740	1148745	1148750	1148755
18"	14"	1148741	1148746	1148751	1148756
19"	15"	1148742	1148747	1148752	1148757
20"	16"	1148743	1148748	1148753	1148758

## Conventional Back without Mounting Hardware (12"-15" Wide) - TDX SPREE

**NOTE: Hook Fastener Adhesive Kit must be ordered when a Back Pan is requested. This will allow the Loop Fastener Adhesive on the Back Cover to attach properly.**

### #3 Back Cushion Assembly with Hook & Loop Fastener Adhesive

Overall Back Height	Material Back Height	12" Wide	13" Wide	14" Wide	15" Wide
16"	12"	1148759	1148764	1148769	1148774
17"	13"	1148760	1148765	1148770	1148775
18"	14"	1148761	1148766	1148771	1148776
19"	15"	1148762	1148767	1148772	1148777
20"	16"	1148763	1148768	1148773	1148778

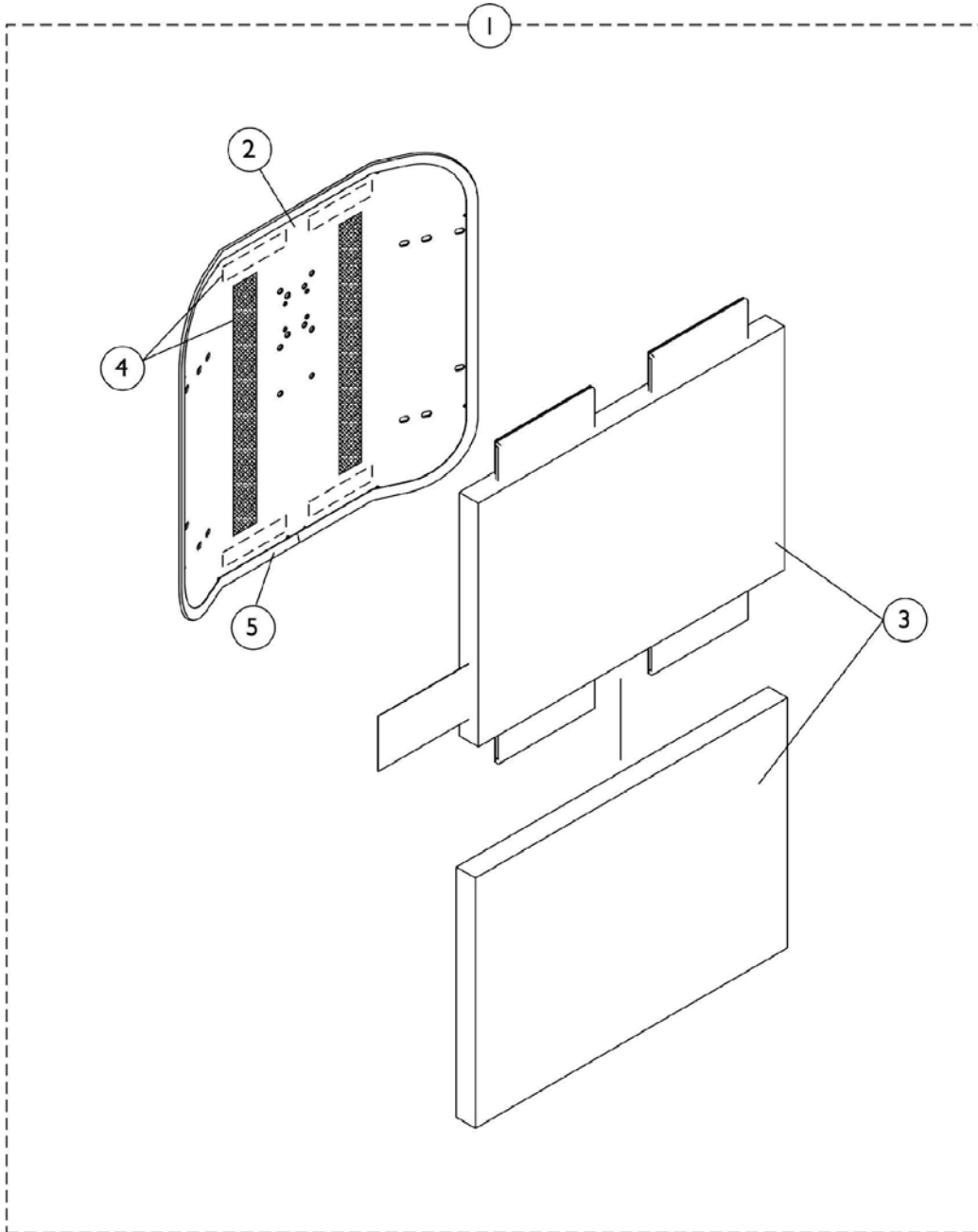
NOTE: Back Cover and Foam are sold as a Back Cushion Assembly only.

Item Number	Note	Part Number	Description	Quantity Per	
				Package	Assembly
1		See Chart	#1 Back Assembly without Hardware	1	1
2		See Chart	#2 Back Pan without Hook Fastener Adhesive	1	1
3		See Chart	#3 Back Cushion Assembly with Hook & Loop Fastener Adhesive	1	1
5	A	1125723	Kit, Hook Fastener w/ Adhesive Back	1	1

NOTE: A - Hook Fastener Adhesive kit is used for 12"-15" wide Conventional Backs to attach the Back Cover to the Back Pan and must be ordered when a new Back Pan is requested.

# Conventional Back without Mounting Hardware (16"-20" Wide) TDX SC & (16" Wide) TDX SPREE

Only the Back Assembly needs to be replaced when changing back heights.  
**NOTE:** Hook Fastener w/ Adhesive Back Kit must be ordered when a Back Pan or Back Assembly is requested. This will allow the Loop Fastener w/ Adhesive on the Back Cover to attach properly.



## Conventional Back without Mounting Hardware (16"-20" Wide) TDX SC & (16" Wide) TDX SPREE

Only the Back Assembly needs to be replaced when changing back heights.  
**NOTE:** Hook Fastener w/ Adhesive Back Kit must be ordered when a Back Pan or Back Assembly is requested. This will allow the Loop Fastener w/ Adhesive on the Back Cover to attach properly.

### #1 Back Assembly without Hardware

Overall Back Height	Material Back Height	16" Wide	17" Wide	18" Wide	19" Wide	20" Wide
20"	15"	1125564	1125565	1125566	1125567	1125568
21"	16"	1125573	1125574	1125575	1125576	1125577
22"	17"	1125582	1125583	1125584	1125585	1125586
23"	18"	1125591	1125592	1125593	1125594	1125595
24"	19"	1125600	1125601	1125602	1125603	1125604

### #2 Back Pan with Vinyl Edge Trim

Overall Back Height	Material Back Height	16" Wide	17" Wide	18" Wide	19" Wide	20" Wide
20"	15"	1124578	1124585	1124592	1124599	1124606
21"	16"	1124579	1124586	1124593	1124600	1124607
22"	17"	1124580	1124587	1124594	1124601	1124608
23"	18"	1124581	1124588	1124595	1124602	1124609
24"	19"	1124582	1124589	1124596	1124603	1124610

## Conventional Back without Mounting Hardware (16"-20" Wide) TDX SC & (16" Wide) TDX SPREE

Only the Back Assembly needs to be replaced when changing back heights.

**NOTE:** Hook Fastener w/ Adhesive Back Kit must be ordered when a Back Pan or Back Assembly is requested. This will allow the Loop Fastener w/ Adhesive on the Back Cover to attach properly.

### #3 Back Cushion Assembly 16"-20" Wide

Overall Back Height	Material Back Height	16" Wide	17" Wide	18" Wide	19" Wide	20" Wide
20"	15"	1097397	1097398	1097399	1097400	1097401
21"	16"	1097404	1097405	1097406	1097407	1097408
22"	17"	1097411	1097412	1097413	1097414	1097415
23"	18"	1097418	1097419	1097420	1097421	1097422
24"	19"	1097425	1097426	1097427	1097428	1097429

Back cover and foam are sold as a back cushion assembly only. Chart reflects chair width and the actual back cushion width will be 1" wider than the chair width.

Item Number	Note	Part Number	Description	Quantity Per	
				Package	Assembly
1		See Chart	#1 Back Assembly without Hardware	1	1
2		See Chart	#2 Back Pan with Vinyl Edge Trim	1	1
3		See Chart	#3 Back Cushion Assembly	1	1
4	A	1125723	Kit, Hook Fastener w/ Adhesive Back	1	1
5		1125724	Edge Trim, Vinyl Black (96" Long) Cut-To-Length	1	1

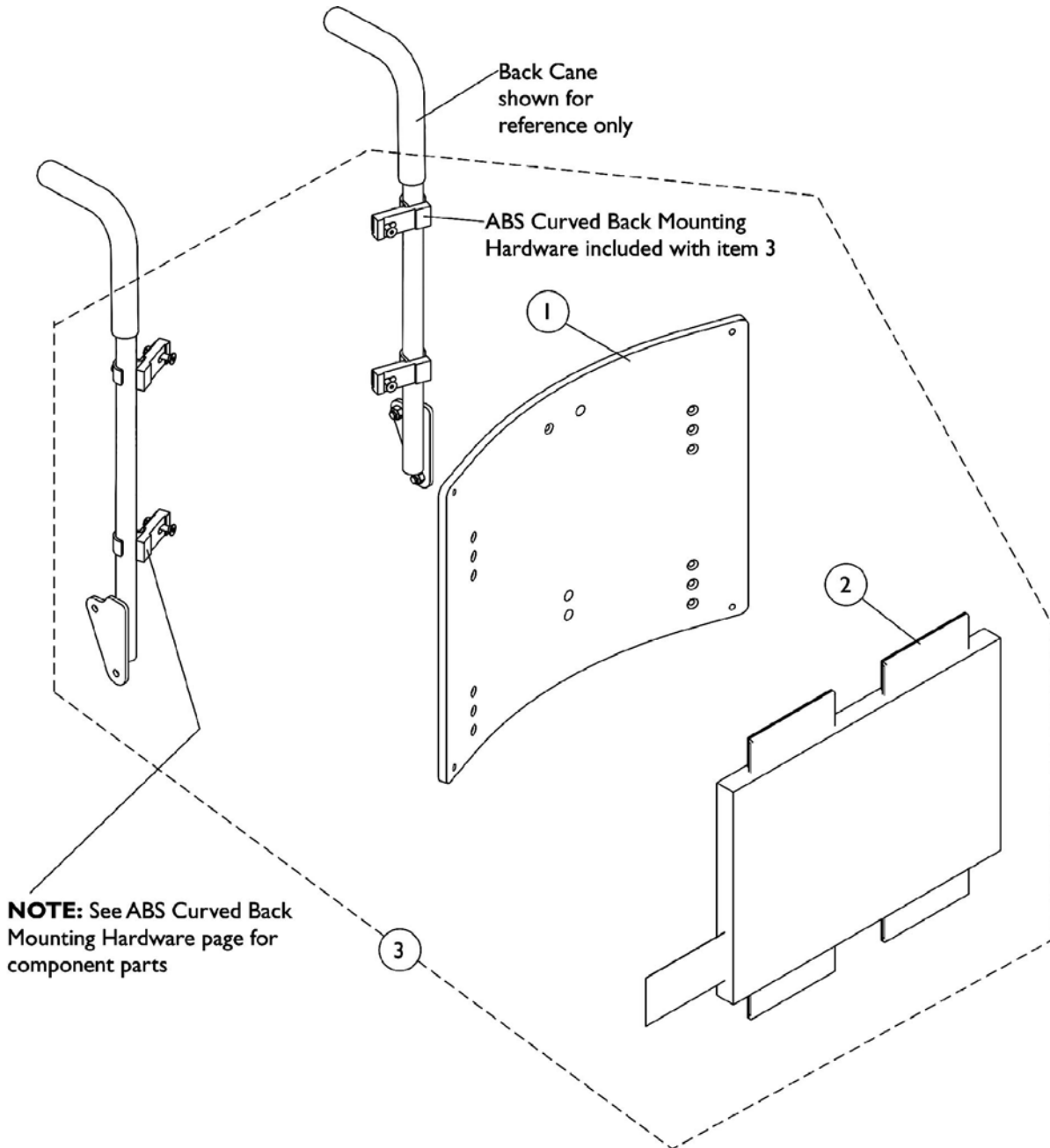
NOTE: A - Hook Fastener w/ Adhesive Back Kit is used to attach the Back Cover to the Back Pan and must be ordered when a new Back Pan or Back Assembly is requested.

# ABS Curved Back Assembly (16"-20" Wide) - TDX SC

**NOTE:** Hook Fastener w/ Adhesive Back Kit must be ordered when a Back Pan or Back Assembly is requested. This will allow the Loop Fastener w/ Adhesive on the Back Cover to attach properly.

**NOTE:** ABS Curved Back mounts only to back canes without a 10 degree bend.

**NOTE:** Back cover and foam are sold as a Back Cushion Assembly only.



## ABS Curved Back Assembly (16"-20" Wide) - TDX SC

**NOTE:** Hook Fastener w/ Adhesive Back Kit must be ordered when a Back Pan or Back Assembly is requested. This will allow the Loop Fastener w/ Adhesive on the Back Cover to attach properly.

**NOTE:** ABS Curved Back mounts only to back canes without a 10 degree bend.

**NOTE:** Back cover and foam are sold as a Back Cushion Assembly only.

### #1 Back Pan - 16" W to 18" W

Overall Back Height	Material Back Height	16" Wide	17" Wide	18" Wide
16"	12"	1086021	1086022	1086023
17"	13"	1086028	1086029	1086030
18"	14"	1086035	1086036	1086037
19"	15"	1086042	1086043	1086044
20"	16"	1086049	1086050	1086051
21"	17"	1086056	1086057	1086058
22"	18"	1086063	1086064	1086065
23"	19"	1086070	1086071	1086072
24"	20"	1086077	1086078	1086079

## ABS Curved Back Assembly (16"-20" Wide) - TDX SC

**NOTE: Hook Fastener w/ Adhesive Back Kit must be ordered when a Back Pan or Back Assembly is requested. This will allow the Loop Fastener w/ Adhesive on the Back Cover to attach properly.**

**NOTE: ABS Curved Back mounts only to back canes without a 10 degree bend.**

**NOTE: Back cover and foam are sold as a Back Cushion Assembly only.**

### #1 Back Pan - 19" W to 20" W

Overall Back Height	Material Back Height	19" Wide	20" Wide
16"	12"	1086024	1086025
17"	13"	1086031	1086032
18"	14"	1086038	1086039
19"	15"	1086045	1086046
20"	16"	1086052	1086053
21"	17"	1086059	1086060
22"	18"	1086066	1086067
23"	19"	1086073	1086074
24"	20"	1086080	1086081



## ABS Curved Back Assembly (16"-20" Wide) - TDX SC

**NOTE: Hook Fastener w/ Adhesive Back Kit must be ordered when a Back Pan or Back Assembly is requested. This will allow the Loop Fastener w/ Adhesive on the Back Cover to attach properly.**

**NOTE: ABS Curved Back mounts only to back canes without a 10 degree bend.**

**NOTE: Back cover and foam are sold as a Back Cushion Assembly only.**

### #2 Back Cushion Assembly - 16" W to 18" W

Overall Back Height	Material Back Height	16" Wide	17" Wide	18" Wide
16"	12"	1097375	1097376	1097377
17"	13"	1097382	1097383	1097384
18"	14"	1097389	1097390	1097391
19"	15"	1097396	1097397	1097398
20"	16"	1097403	1097404	1097405
21"	17"	1097410	1097411	1097412
22"	18"	1097417	1097418	1097419
23"	19"	1097424	1097425	1097426
24"	20"	1097431	1097432	1097433

### #2 Back Cushion Assembly - 19" W to 20" W

Overall Back Height	Material Back Height	19" Wide	20" Wide
16"	12"	1097378	1097379
17"	13"	1097385	1097386
18"	14"	1097392	1097393
19"	15"	1097399	1097400
20"	16"	1097406	1097407
21"	17"	1097413	1097414
22"	18"	1097420	1097421
23"	19"	1097427	1097428
24"	20"	1097434	1097435

## ABS Curved Back Assembly (16"-20" Wide) - TDX SC

**NOTE:** Hook Fastener w/ Adhesive Back Kit must be ordered when a Back Pan or Back Assembly is requested. This will allow the Loop Fastener w/ Adhesive on the Back Cover to attach properly.

**NOTE:** ABS Curved Back mounts only to back canes without a 10 degree bend.

**NOTE:** Back cover and foam are sold as a Back Cushion Assembly only.

### #3 Back Assembly with Hardware - 16" W to 18" W

Overall Back Height	Material Back Height	16" Wide	17" Wide	18" Wide
16"	12"	1106973	1106983	1106993
17"	13"	1106974	1106984	1106994
18"	14"	1106975	1106985	1106995
19"	15"	1106976	1106986	1106996
20"	16"	1106977	1106987	1106997
21"	17"	1106978	1106988	1106998
22"	18"	1106979	1106989	1106999
23"	19"	1106980	1106990	1107000
24"	20"	1106981	1106991	1107001

### #3 Back Assembly with Hardware - 19" W to 20" W

Overall Back Height	Material Back Height	19" Wide	20" Wide
16"	12"	1107003	1107013
17"	13"	1107004	1107014
18"	14"	1107005	1107015
19"	15"	1107006	1107016
20"	16"	1107007	1107017
21"	17"	1107008	1107018
22"	18"	1107009	1107019
23"	19"	1107010	1107020
24"	20"	1107011	1107021

## ABS Curved Back Assembly (16"-20" Wide) - TDX SC

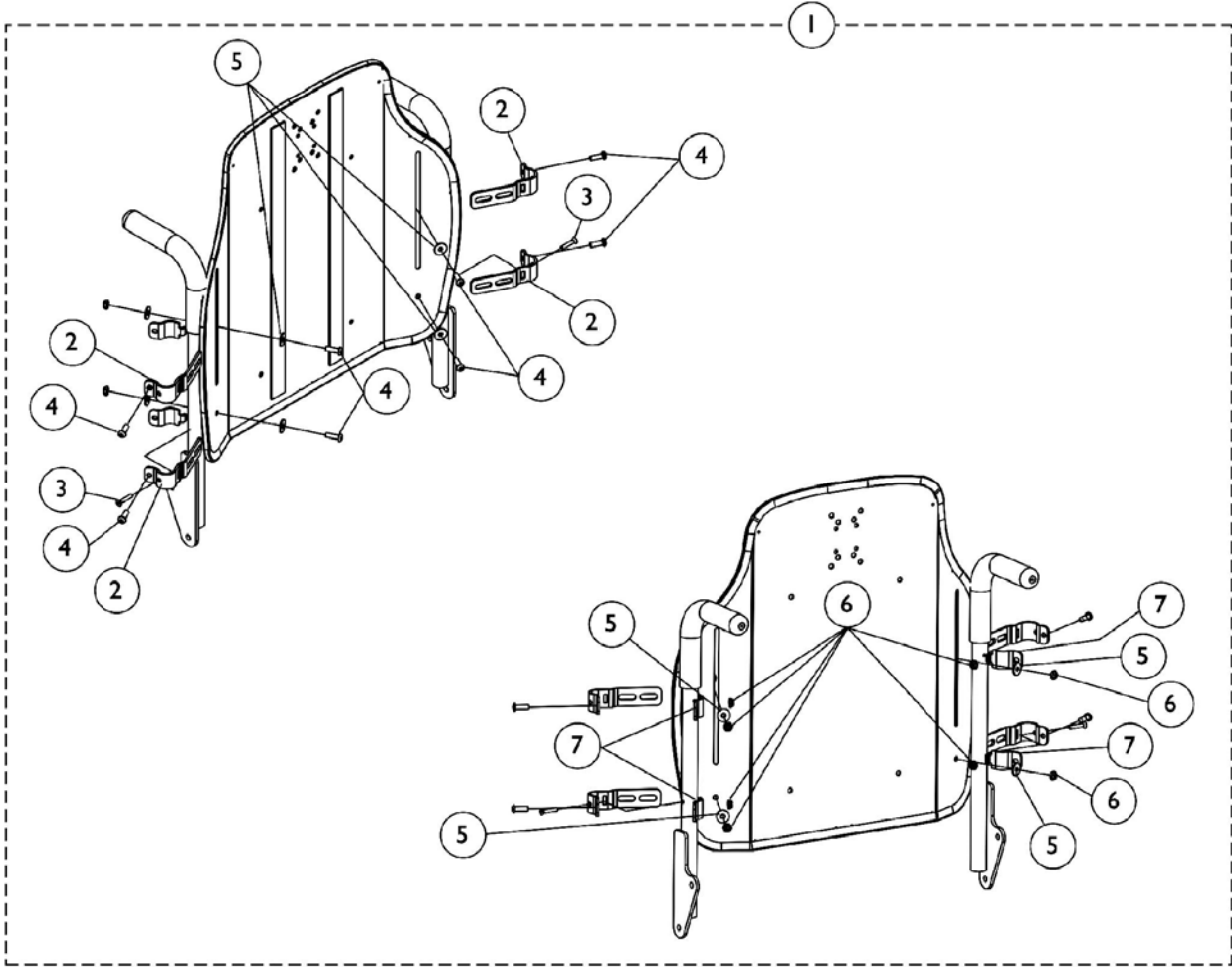
**NOTE: Hook Fastener w/ Adhesive Back Kit must be ordered when a Back Pan or Back Assembly is requested. This will allow the Loop Fastener w/ Adhesive on the Back Cover to attach properly.**

**NOTE: ABS Curved Back mounts only to back canes without a 10 degree bend.**

**NOTE: Back cover and foam are sold as a Back Cushion Assembly only.**

Item Number	Note	Part Number	Description	Quantity Per	
				Package	Assembly
1		See Chart	#1 Back Pan 16"-18"	1	1
1		See Chart	#1 Back Pan 19"-20"	1	1
2		See Chart	#2 Back Cushion Assembly 16"-18"	1	1
2		See Chart	#2 Back Cushion Assembly 19"-20"	1	1
3		See Chart	#3 Back Assembly with Hardware 16"-18"	1	1
3		See Chart	#3 Back Assembly with Hardware 19"-20"	1	1
	A	1125723	Kit, Hook Fastener w/ Adhesive Back	1	1
NOTE: A - Not Shown. Hook Fastener w/Adhesive Back Kit is used to attach the Back Cover to the Back Pan and must be ordered when a new Back Pan or Back Assembly is requested.					

# Contoura Back Mounting Hardware TDX SC

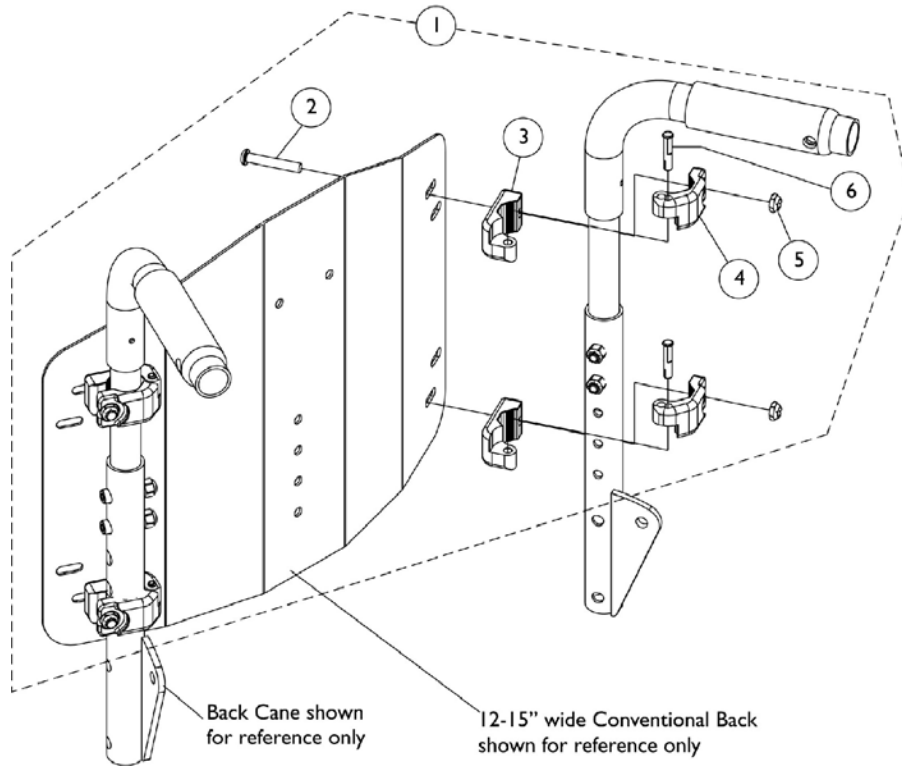


## Contoura Back Mounting Hardware TDX SC

Item Number	Note	Part Number	Description	Quantity Per	
				Package	Assembly
1	A	1140945	Kit, Contoura Back Mounting Hdwr. - Round Canes	1	1
2			Bracket, Back Mounting, Front, Black	1	4
3			Screw, Phillips Oval Head Countersunk (#10-16 x 7/8")	1	2
4			Screw, Socket Head (1/4-20 x 3/4")	1	8
5			Washer (1/4 x 23/32 x 1/16")	1	8
6			Locknut (1/4-20)	1	8
7			Bracket, Back Mounting, Rear, Black	1	4

NOTE: A - Includes items 2-7

# Conventional Back Mounting Hardware (12"-15" Wide) - TDX SPREE

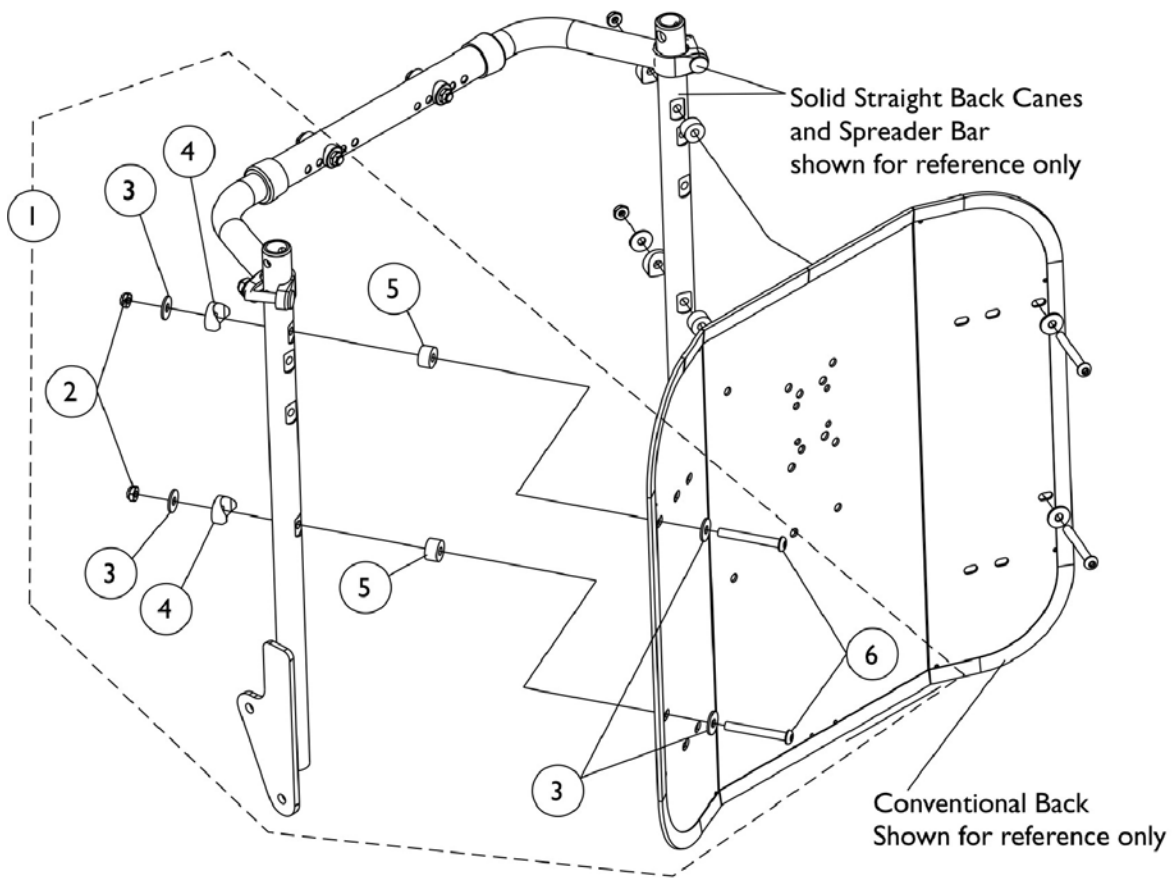


Item Number	Note	Part Number	Description	Quantity Per	
				Package	Assembly
1	A	1148440	Kit, Conventional Back Mounting Hardware (12"-15" Wide)	1	1
2			Screw, Socket Button Head (1/4-20 x 1-1/2")	1	4
3			Clamp, Inner	1	4
4			Clamp, Outer	1	4
5			Locknut (1/4-20)	1	4
6			Pin, Hinge	1	4

NOTE: A - Includes items 2-6

# Conventional Back Mounting Hardware

(16"-20" Wide) TDX SC & (16" Wide) TDX SPREE



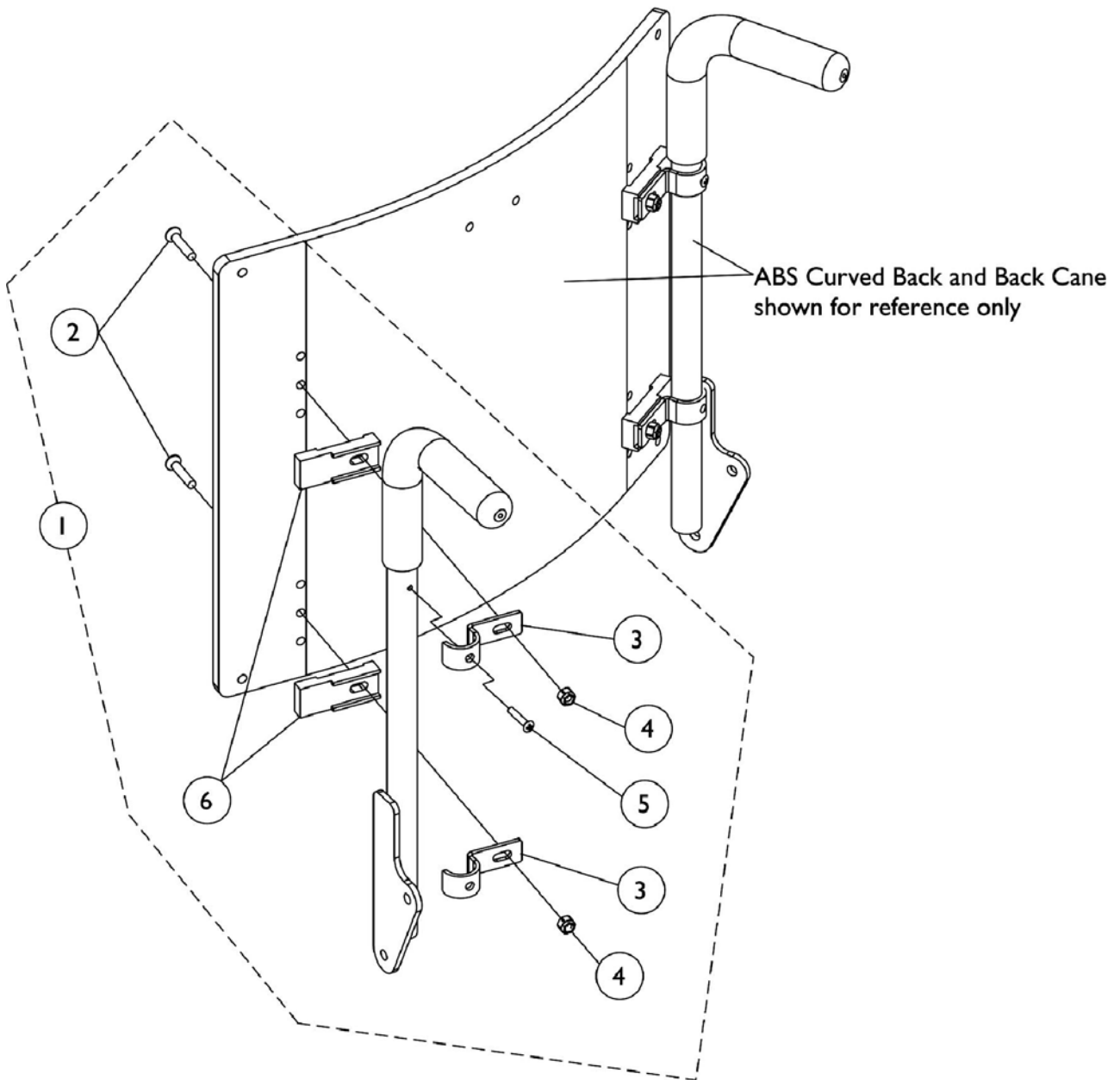
## Conventional Back Mounting Hardware (16"-20" Wide) TDX SC & (16" Wide) TDX SPREE

Item Number	Note	Part Number	Description	Quantity Per	
				Package	Assembly
1	A	1125757	Kit, Back Mounting Hardware For Conventional Tilt	1	1
2			Locknut (1/4-20)	1	4
3			Washer (1/4 x 23/32 x 1/16")	1	8
4			Spacer, Coved (1/4 x 7/8 x 7/16")	1	4
5			Spacer (1/4 x 5/8 x 3/8")	1	4
6			Screw, Socket Button Head (1/4-20 x 2")	1	4

NOTE: A - Includes items 2-6



# ABS Curved Back Mounting Hardware TDX SC



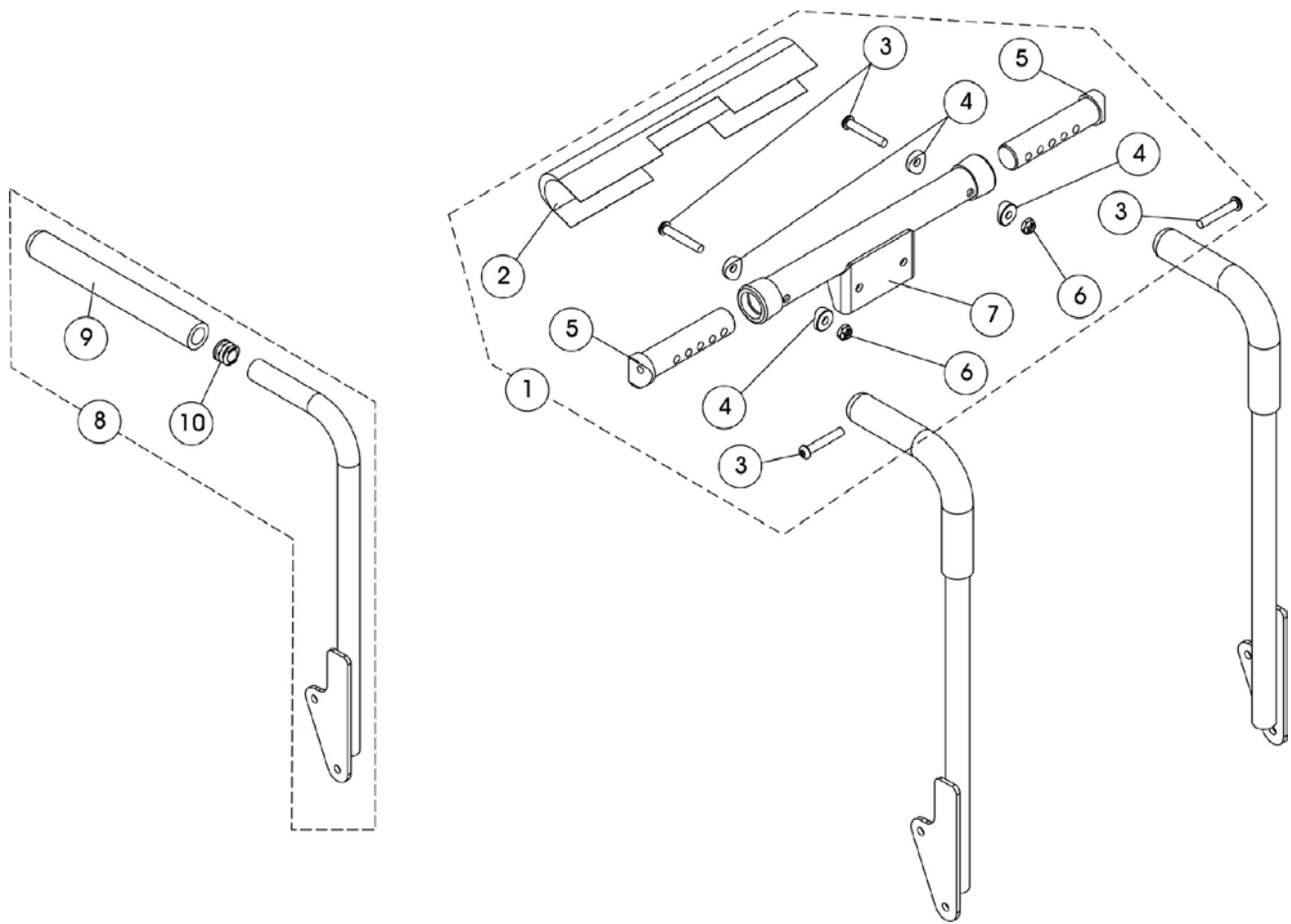
## ABS Curved Back Mounting Hardware TDX SC

Item Number	Note	Part Number	Description	Quantity Per	
				Package	Assembly
1	A	1106395	Kit, Back, A.B.S. Curved Mounting Hardware	1	1
2			Screw, Socket Flat C'sunk Head (1/4-20 x 1-1/4")	1	4
3			Hook, Back Assembly Mounting	1	4
4			Locknut (1/4-20)	1	4
5			Screw, Phillips Oval Head Countersunk (#10-16 x 7/8")	1	2
6			Spacer, Back Pan	1	4

NOTE: A - Includes items 2-6

# Back Cane, Spreader Bar and Push Handle Assembly (12"-16" Wide) BPO Option - TDX SPREE

NOTE: 14"-16" wide TDX SPREE with BPO will use the Double Spreader Bar assembly



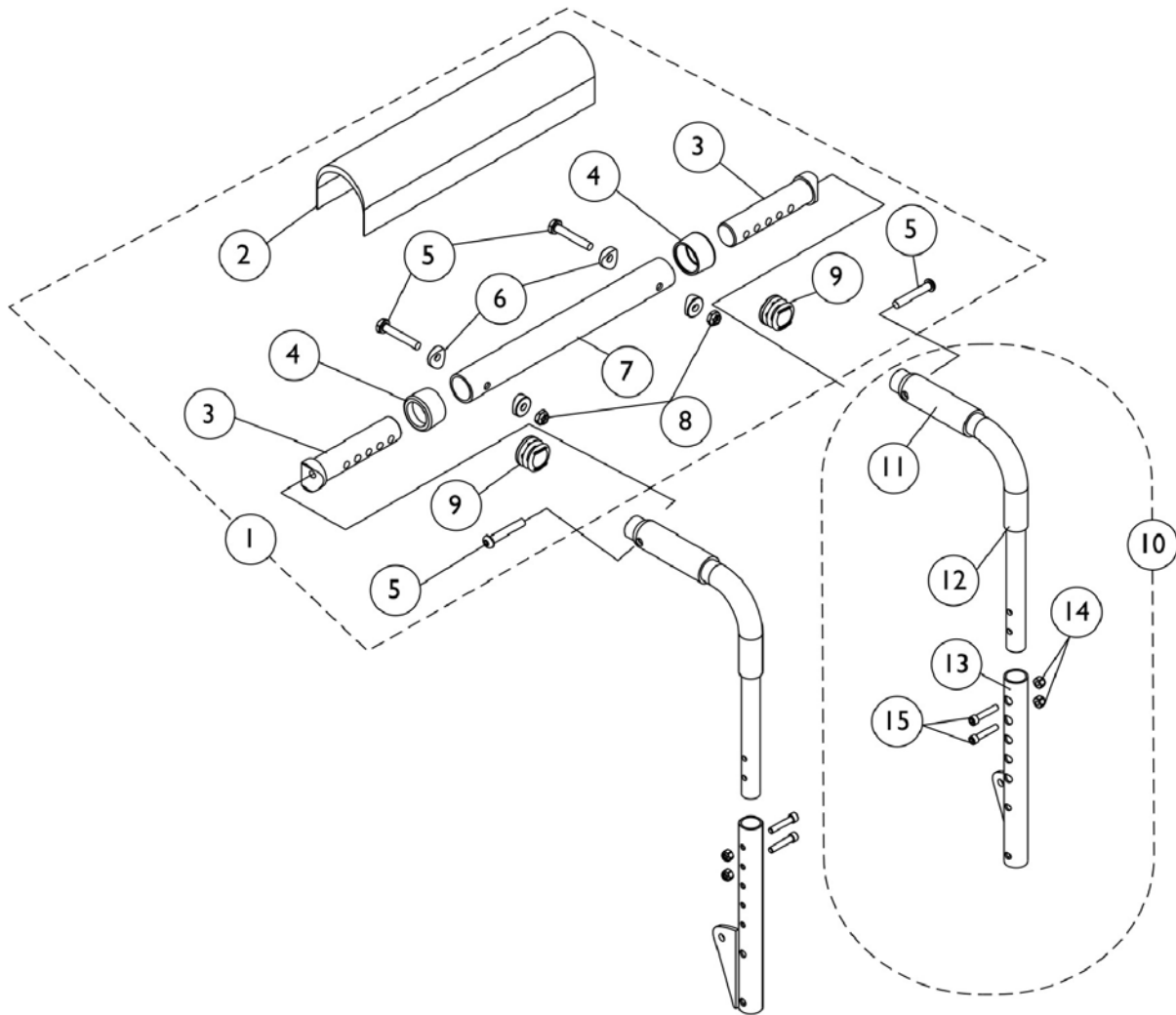
# Back Cane, Spreader Bar and Push Handle Assembly (12"-16" Wide) BPO Option - TDX SPREE

NOTE: 14"-16" wide TDX SPREE with BPO will use the Double Spreader Bar assembly

Item Number	Note	Part Number	Description	Quantity Per	
				Package	Assembly
1	A	1148152	Kit, Spreader Bar Assembly, 12-16" W Conventional Back & BPO Option	1	1
2			Cover, Spreader Bar w/ Headrest Bracket	1	1
3			Screw, Socket Button Head (1/4-20 x 1-1/2")	1	4
4			Spacer, Coved (1/4 x 11/16 x 1/2")	1	4
5			Insert, Spreader Bar Connector	1	2
6			Locknut (1/4-20)	1	2
7			Tube, Spreader Bar w/ Headrest Bracket	1	1
8	B	1133793	Back Cane w/o 10 Deg. Bend w/ Grip 16" High Right	1	1
8	B	1133794	Back Cane w/o 10 Deg. Bend w/ Grip 16" High Left	1	1
8	B	1133795	Back Cane w/o 10 Deg. Bend w/ Grip 17" High Right	1	1
8	B	1133796	Back Cane w/o 10 Deg. Bend w/ Grip 17" High Left	1	1
8	B	1143334	Back Cane w/o 10 Deg. Bend w/ Grip 18" High Right	1	1
8	B	1143335	Back Cane w/o 10 Deg. Bend w/ Grip 18" High Left	1	1
8	B	1133799	Back Cane w/o 10 Deg. Bend w/ Grip 19" High Right	1	1
8	B	1133800	Back Cane w/o 10 Deg. Bend w/ Grip 19" High Left	1	1
8	B	1133801	Back Cane w/o 10 Deg. Bend w/ Grip 20" High Right	1	1
8	B	1133802	Back Cane w/o 10 Deg. Bend w/ Grip 20" High Left	1	1
9		1135506	Package, Foam Hand Grips (9" Long)	10	1
10		1134426	Package, Plug Buttons, Black (3/4")	10	1

NOTE: A - Includes items 2-7  
B - Back Cane Assembly includes the Foam Grip and Plug Button

# Back Cane, Spreader Bar and Push Handle Assembly (12"-15" W) Conventional Back - TDX SPREE



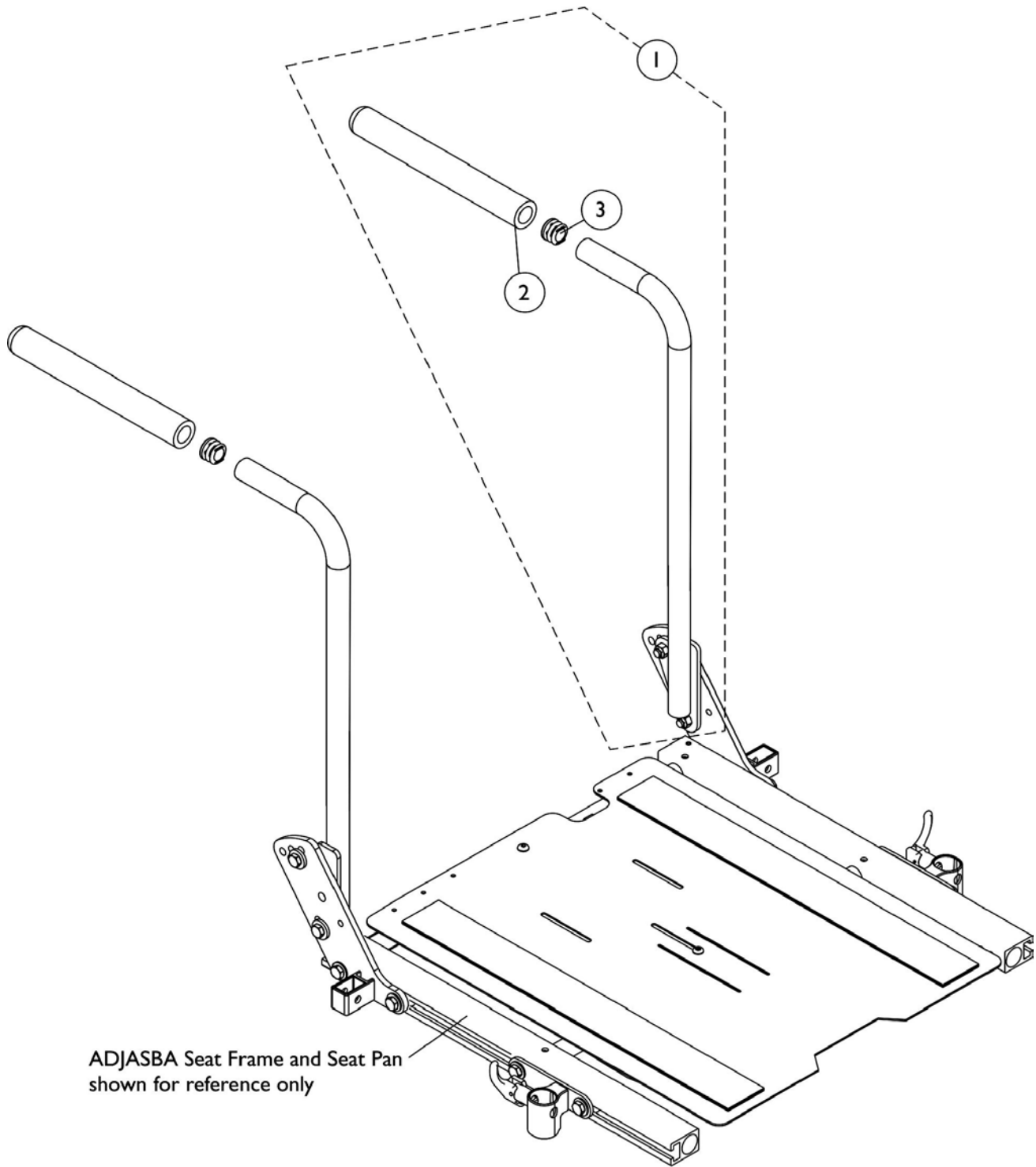
## Back Cane, Spreader Bar and Push Handle Assembly (12"-15" W) Conventional Back - TDX SPREE

Item Number	Note	Part Number	Description	Quantity Per	
				Package	Assembly
1	A,B	1126147	Kit, Spreader Bar Assembly (12"-16" Wide)	1	1
2			Cover, Spreader Bar	1	1
3			Insert, Spreader Bar Connector	1	2
4			Anti-Rattle (1")	1	2
5			Screw, Socket Button Head (1/4-20 x 1-1/2")	1	4
6			Spacer, Coved (1/4 x 11/16 x 1/2")	1	4
7			Tube, Spreader Bar	1	1
8			Locknut (1/4-20)	1	2
9			Plug Button, Black (1")	1	2
10	C	1152735	Kit, Back Cane Assembly with Hardware (16"-19" Back Height) - Right	1	1
11			Grip, Foam (4")	1	1
12			Handle, Push	1	1
13			Cane, Lower (16"-19" Back Height) - Right	1	1
14			Screw, Socket Head (1/4-20 x 1-1/4")	1	2
15			Locknut (1/4-20)	1	2
10	C	1152736	Kit, Back Cane Assembly with Hardware (16"-19" Back Height) - Left	1	1
11			Grip, Foam (4")	1	1
12			Handle, Push	1	1
13			Cane, Lower (16"-19" Back Height) - Left	1	1
14			Screw, Socket Head (1/4-20 x 1-1/4")	1	2
15			Locknut (1/4-20)	1	2
10	C	1152737	Kit, Back Cane Assembly with Hardware (20"-22" Back Height) - Right	1	1
11			Grip, Foam (4")	1	1
12			Handle, Push	1	1
13			Cane, Lower (20"-22" Back Height) - Right	1	1
14			Screw, Socket Head (1/4-20 x 1-1/4")	1	2
15			Locknut (1/4-20)	1	2
10	C	1152738	Kit, Back Cane Assembly with Hardware (20"-22" Back Height) - Left	1	1
11			Grip, Foam (4")	1	1
12			Handle, Push	1	1
13			Cane, Lower (20"-22" Back Height) - Left	1	1
14			Screw, Socket Head (1/4-20 x 1-1/4")	1	2
15			Locknut (1/4-20)	1	2
11		1135505	Package, Foam Hand Grips (4" Long)	10	1

NOTE: A - Plug Buttons are not required when stroller handles are used.  
B - Includes items 2-9  
C - Includes items 11-15

# Back Canes

(16"-20" Wide) Contoura Back, ABS Curved Back and Tilt w/ BPO Option - TDX SC



## Back Canes

### (16"-20" Wide) Contoura Back, ABS Curved Back and Tilt w/ BPO Option - TDX SC

Item Number	Note	Part Number	Description	Quantity Per	
				Package	Assembly
1	A	See Chart	#1 Back Cane Assemblies	1	1
2		1135506	Package, Foam Hand Grips (9" Long)	10	1
3		1134426	Package, Plug Buttons, Black (3/4")	10	1

NOTE: A - Includes the Back Cane and items 2 and 3

#### #1 Back Cane Assemblies

Back Height	Back Cane-Push Handle Straight Right	Back Cane-Push Handle Straight Left
16"	1133793	1133794
17"	1133795	1133796
18"	1143334	1143335
19"	See Note(s) B 1133799	See Note(s) B 1133800
20" See Note(s) C	1133801	1133802 See Note(s) C
21"	1136011 See Note(s) A	1136012 See Note(s) A
22"	1136013 See Note(s) A	1136014 See Note(s) A
23"	1136015 See Note(s) A	1136016 See Note(s) A
24"	1136017 See Note(s) A	1136018 See Note(s) A

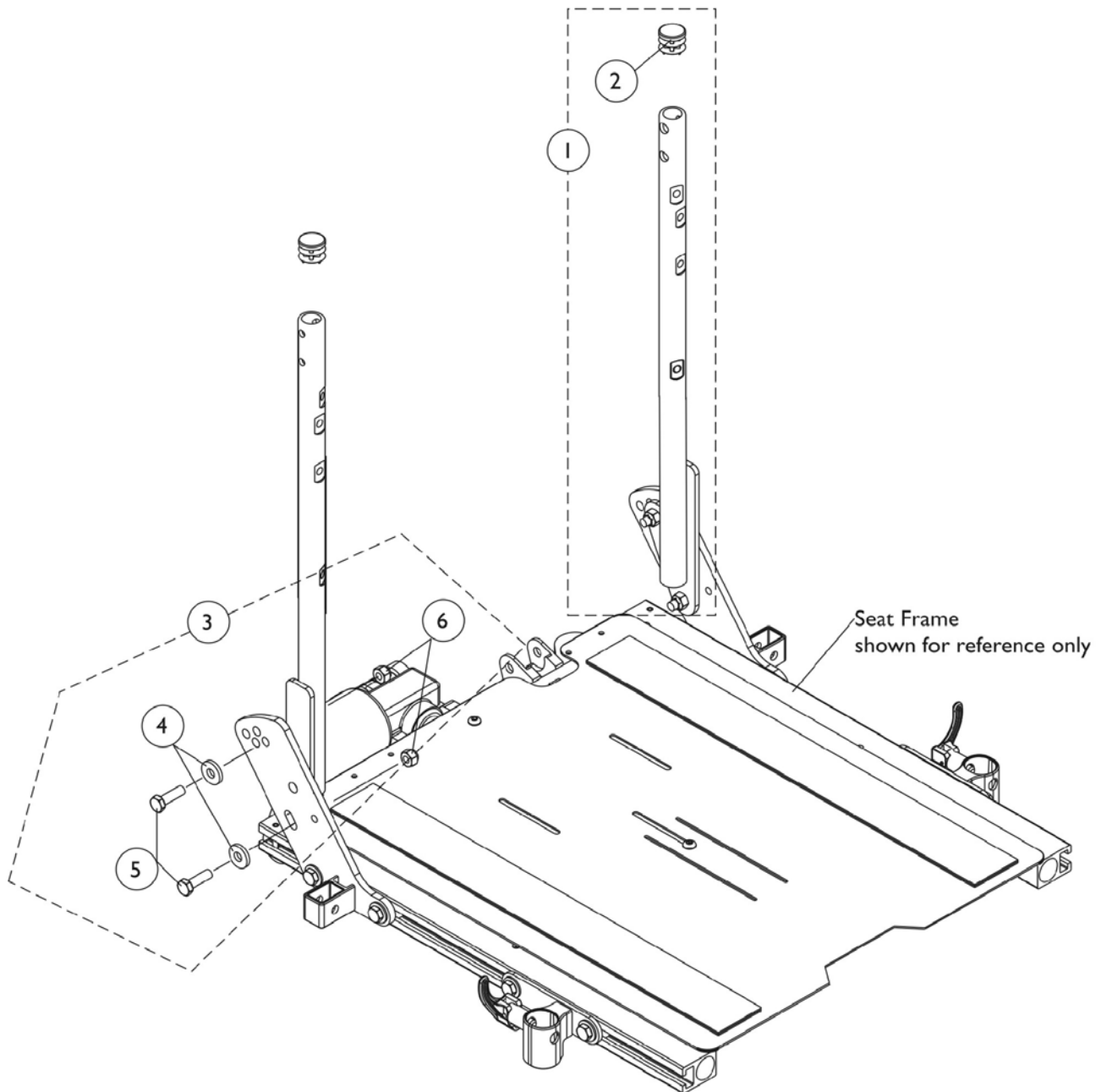
NOTE: A - 21"-24" high straight back canes with push handles are only offered On-Chair when a BPO Option is ordered  
 B - Chairs with Contoura Backs use 18" high back canes only  
 C - All 20"-24" high ABS Curved Backs ordered On-Chair will use the 20" high straight cane w/ push handle

NOTE: Back Cane Assemblies include Foam Grips and Plug Buttons where shown



# Solid Straight Back Canes w/o Push Handles and Mounting Hardware

(16"-20" Wide) TDX SC & (16" Wide) TDX SPREE

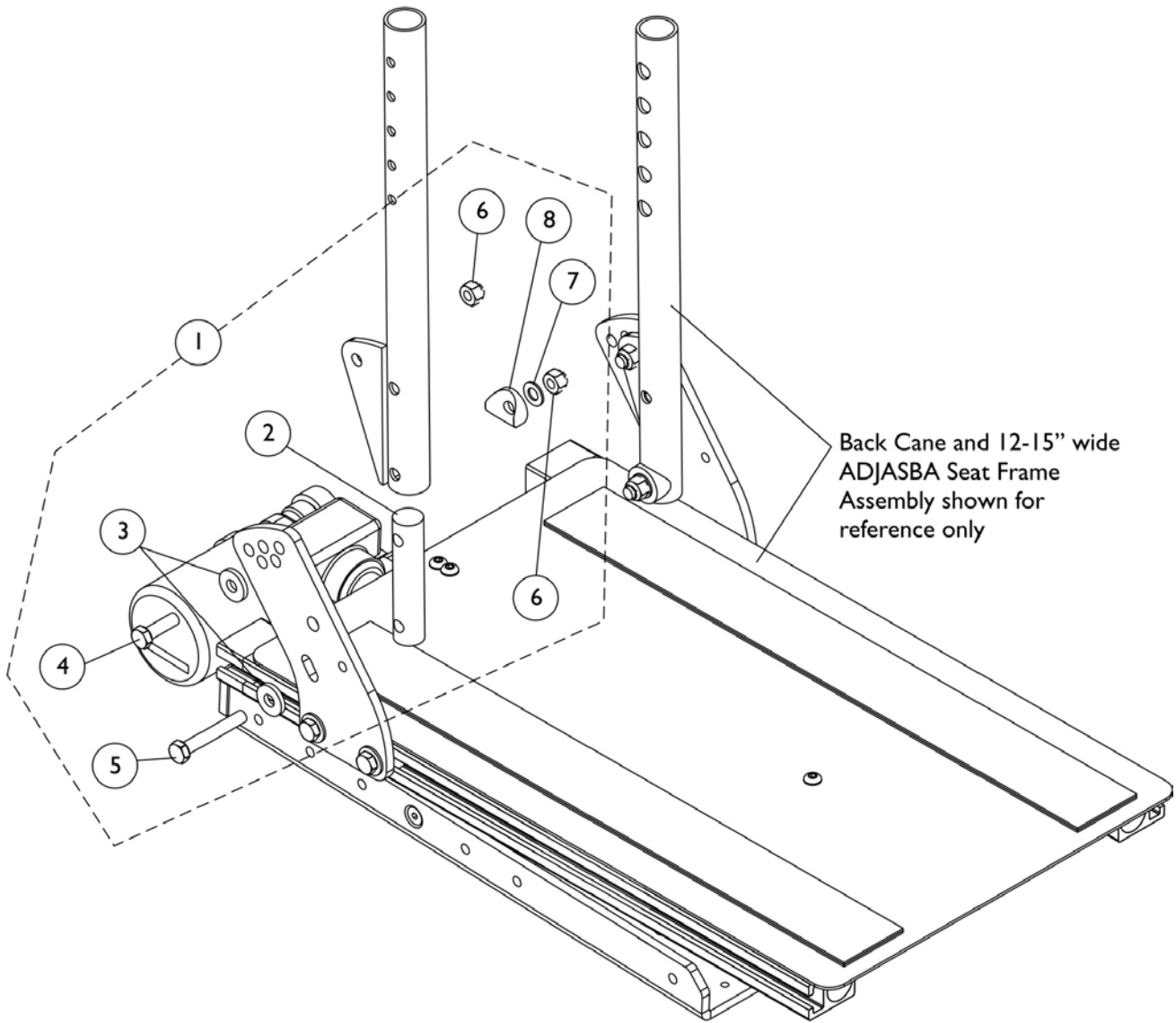


## Solid Straight Back Canes w/o Push Handles and Mounting Hardware (16"-20" Wide) TDX SC & (16" Wide) TDX SPREE

Item Number	Note	Part Number	Description	Quantity Per	
				Package	Assembly
1	A	1128394	Kit, Back Cane w/o Push Handle, Solid Straight w/ Plug Button - Right	1	1
1	A	1128395	Kit, Back Cane w/o Push Handle, Solid Straight w/ Plug Button - Left	1	1
1	A	1128396	Kit, Back Canes w/o Push Handle, Solid Straight w/ Plug Button (Pair)	1	1
2		1027097	Plug Button, Black (3/4")	1	1
3	B	1125733	Kit, Solid Straight Back Cane w/o Push Handle, Mounting Hardware	1	1
4			Washer, Flat (21/64 x 53/64 x 7/64")	1	2
5			Screw, Hex Head Cap (5/16-18 x 1")	1	2
6			Locknut (5/16-18)	1	2
4		1079247	Washer, Flat (21/64 x 53/64 x 7/64")	1	2
5		1028478	Screw, Hex Head (5/16-18 x 1-1/4")	1	2
6		1026158	Locknut (5/16-18)	1	2

NOTE: A - Back height from the seat pan to the top of the back cane will measure approximately 20-1/2" high.  
B - Includes items 4-6

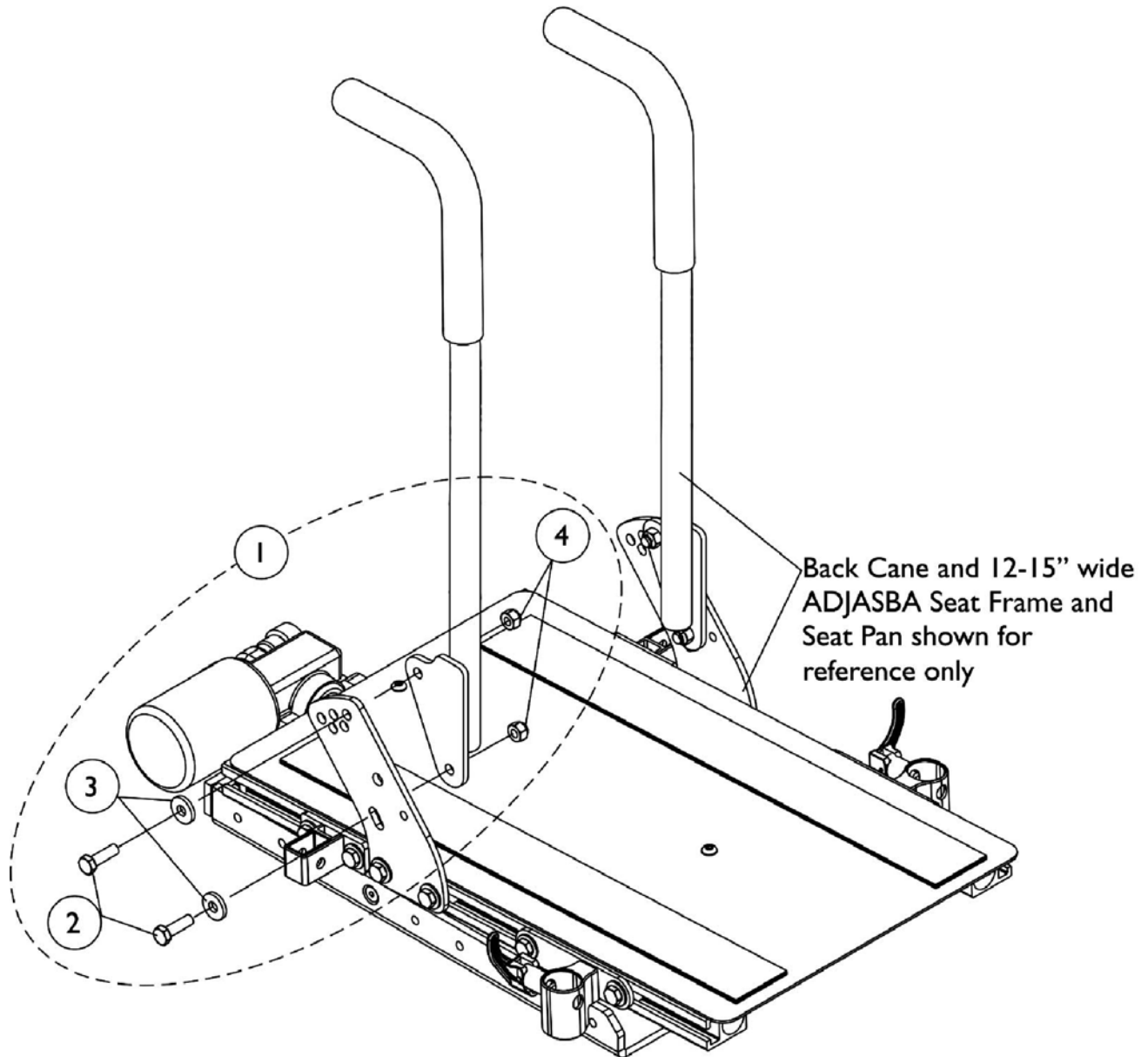
# Back Cane Mounting Hardware (12"-15" Wide) Conventional Back - TDX SPREE



## Back Cane Mounting Hardware (12"-15" Wide) Conventional Back - TDX SPREE

Item Number	Note	Part Number	Description	Quantity Per	
				Package	Assembly
1		1147973	Kit, Back Cane Mounting Hardware (Pair)	1	1
2			Insert, Back Cane	1	2
3			Washer, Flat (21/64 x 53/64 x 7/64")	1	4
4			Screw, Hex Head Cap (5/16-18 x 1")	1	2
5			Screw, Hex Head (5/16-18 x 2")	1	2
6			Locknut (5/16-18)	1	4
7			Washer, Flat (5/16 x 5/8 x 1/16")	1	2
8			Spacer, Coved (3/4 x 1 x 1/2")	1	2

# Back Cane Mounting Hardware (12"-16" Wide) BPO Option - TDX SPREE



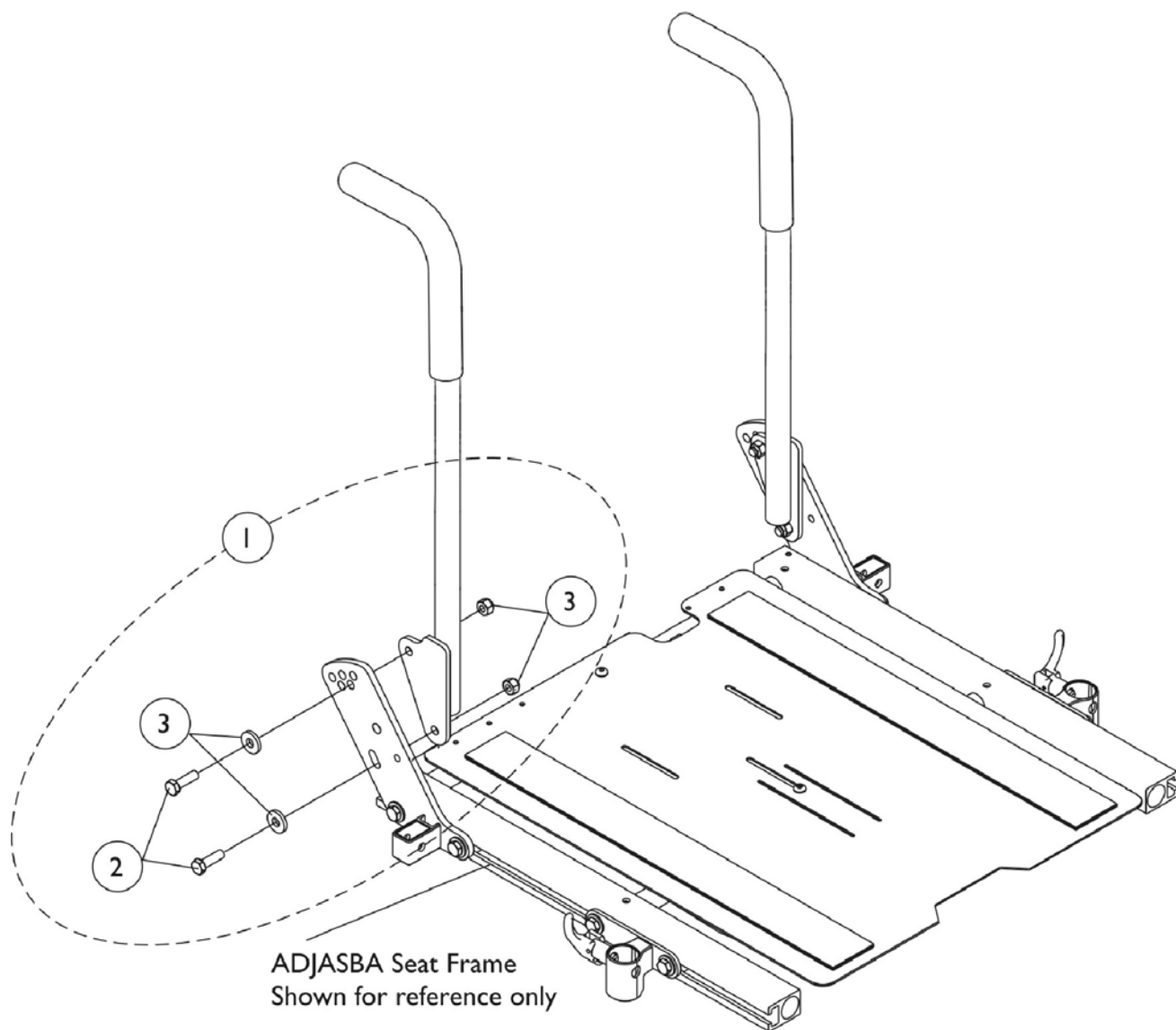
## Back Cane Mounting Hardware (12"-16" Wide) BPO Option - TDX SPREE

Item Number	Note	Part Number	Description	Quantity Per	
				Package	Assembly
1	A	1135999	Kit, Back Cane Mounting Hardware (Pair)	1	1
2			Screw, Hex Head Cap (5/16-18 x 1")	1	4
3			Washer, Flat (21/64 x 53/64 x 7/64")	1	4
4			Locknut (5/16-18)	1	4

NOTE: A - Includes items 2-4

# Back Cane Mounting Hardware

(16"-20" Wide) (Contoura Back, ABS Curved Back and Tilt w/ BPO Option) -  
TDX SC



## Back Cane Mounting Hardware

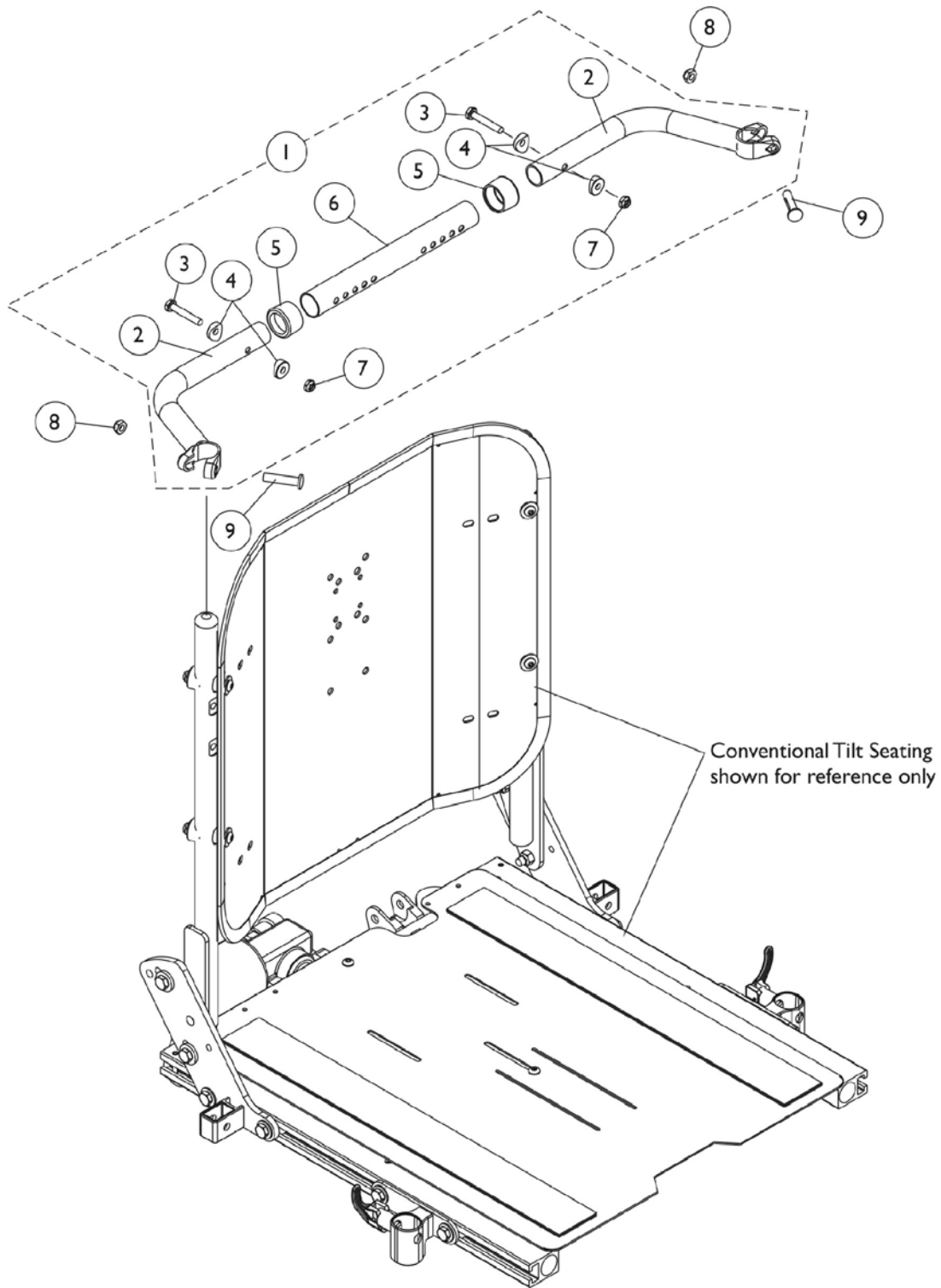
(16"-20" Wide) (Contoura Back, ABS Curved Back and Tilt w/ BPO Option) -  
TDX SC

Item Number	Note	Part Number	Description	Quantity Per	
				Package	Assembly
1	A	1135999	Kit, Back Cane Mounting Hardware (Pair)	1	1
2			Screw, Hex Head Cap (5/16-18 x 1")	1	4
3			Washer, Flat (21/64 x 53/64 x 7/64")	1	4
4			Locknut (5/16-18)	1	4
NOTE: A - Includes items 2-4.					



# Spreader Bar Assembly

Conventional Tilt (16"-20" Wide) TDX SC & (16" Wide) TDX SPREE



# Spreader Bar Assembly

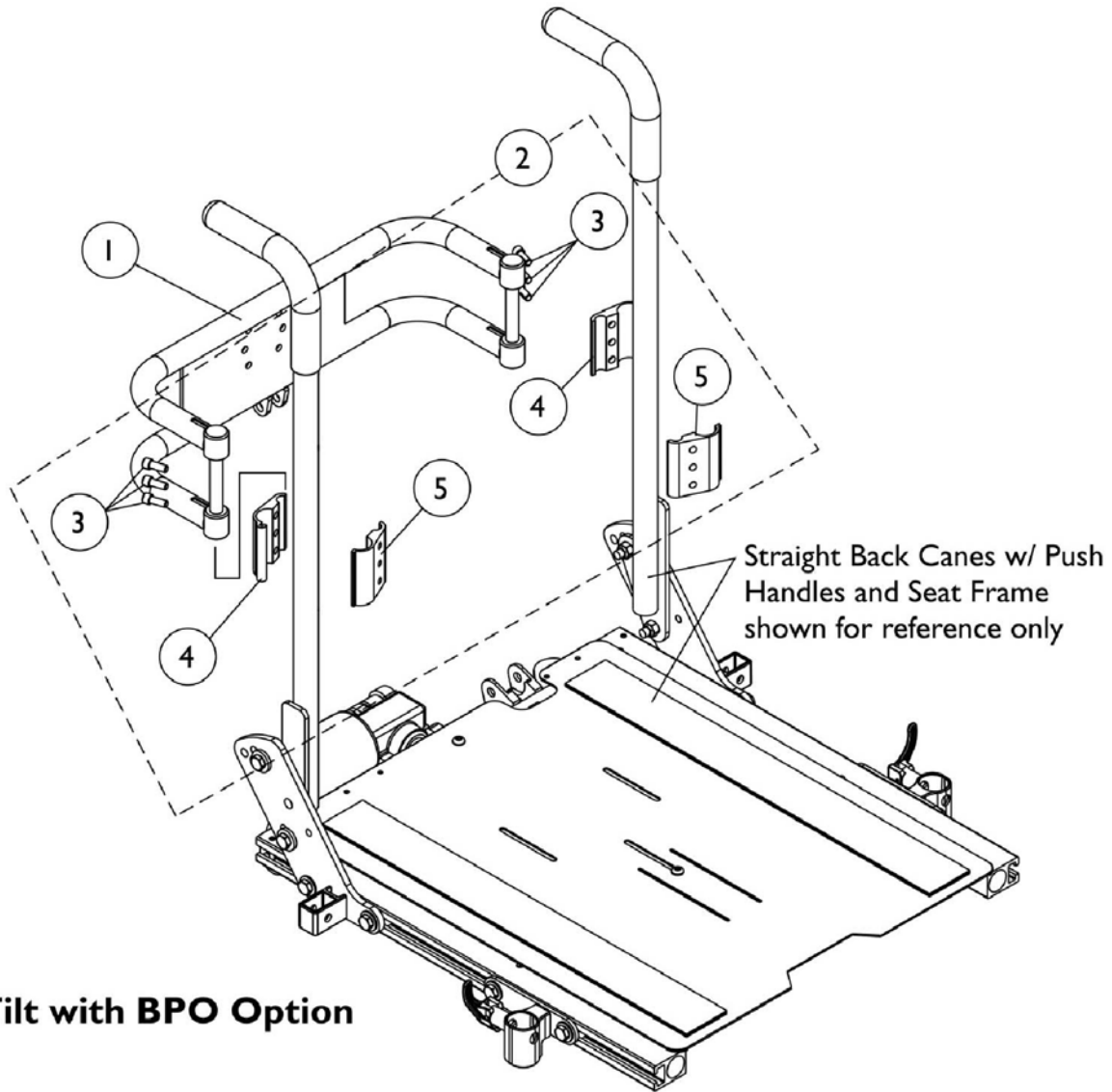
## Conventional Tilt (16"-20" Wide) TDX SC & (16" Wide) TDX SPREE

Item Number	Note	Part Number	Description	Quantity Per	
				Package	Assembly
1	A	1125709	Kit, Spreader Bar Assembly (16"-20" Wide)	1	1
2			Handle, Spreader Bar	1	2
3			Screw, Hex Head (1/4-20 x 1-1/2")	1	2
4			Spacer, Coved (1/4 x 11/16 x 1/2")	1	4
5			Anti-Rattle (1")	1	2
6			Tube, Spreader Bar Adjustable (16"-20" Wide)	1	1
7			Locknut (1/4-20)	1	2
8		1025730	Locknut (5/16-24)	1	2
9		1031026	Screw w/ Lug (5/16-24 x 1-3/8")	1	2

NOTE: A - Includes items 2-7

# Spreader Bar Assembly, Double

(16"-20" Wide) TDX SC & (14"-16") TDX SPREE w/ BPO Option

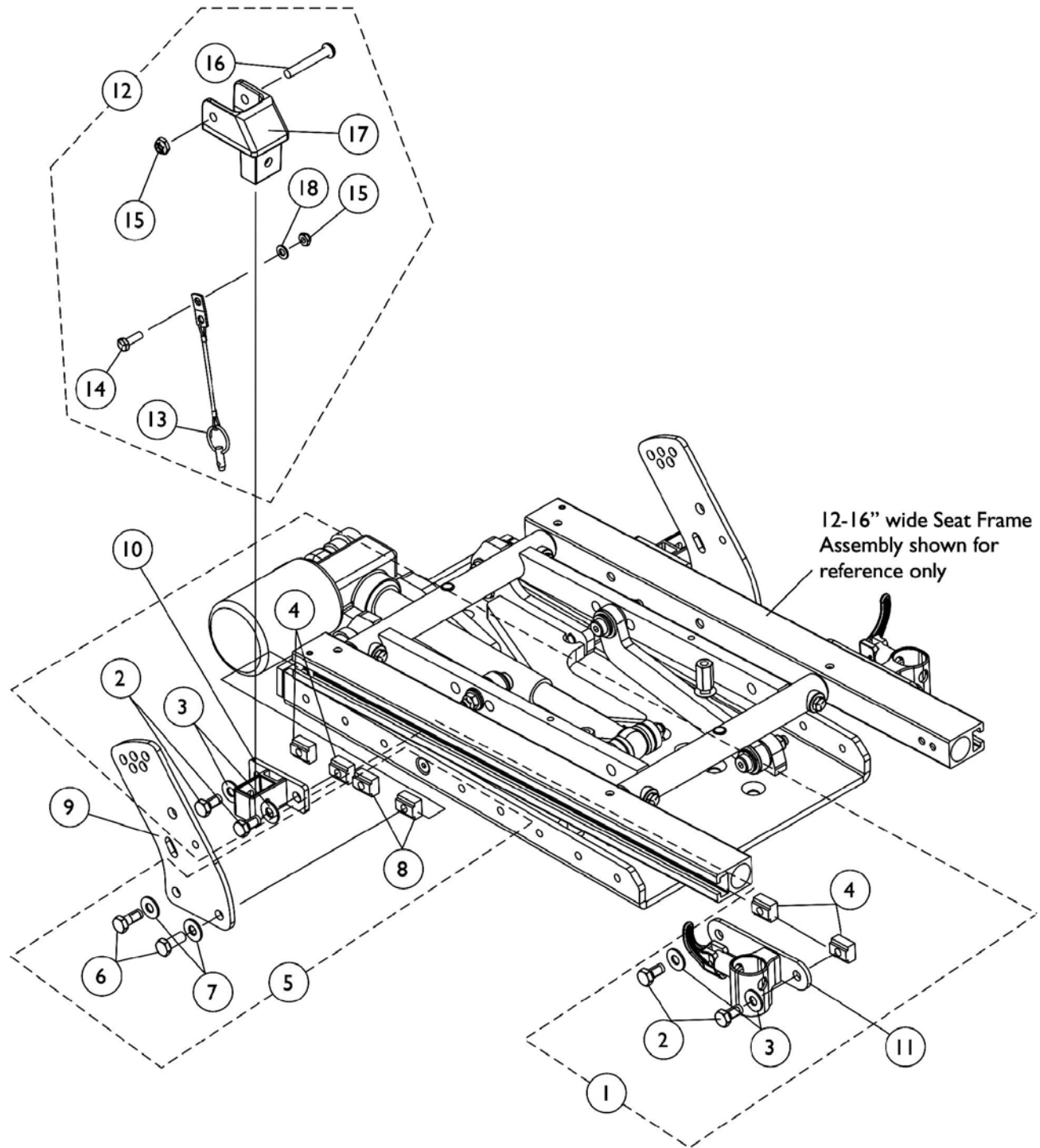


## Spreader Bar Assembly, Double

(16"-20" Wide) TDX SC & (14"-16") TDX SPREE w/ BPO Option

Item Number	Note	Part Number	Description	Quantity Per	
				Package	Assembly
1		0013402	Bar, Push, Black (14" Wide)	1	1
1		0013502	Bar, Push, Black (15" Wide)	1	1
1		0013602	Bar, Push, Black (16" Wide)	1	1
1		0013702	Bar, Push, Black (17" Wide)	1	1
1		0013802	Bar, Push, Black (18" Wide)	1	1
1		0013902	Bar, Push, Black (19" Wide)	1	1
1		0014002	Bar, Push, Black (20" Wide)	1	1
2		1125761	Kit, Double Spreader Bar Mounting Hardware	1	1
3			Screw, Socket Head Cap (1/4-20 x 3/4")	1	6
4			Half Clamp, Threaded Holes (7/8" Dia. Back Canes)	1	2
5			Half Clamp, Un-Threaded Holes (7/8" Dia. Back Canes)	1	2

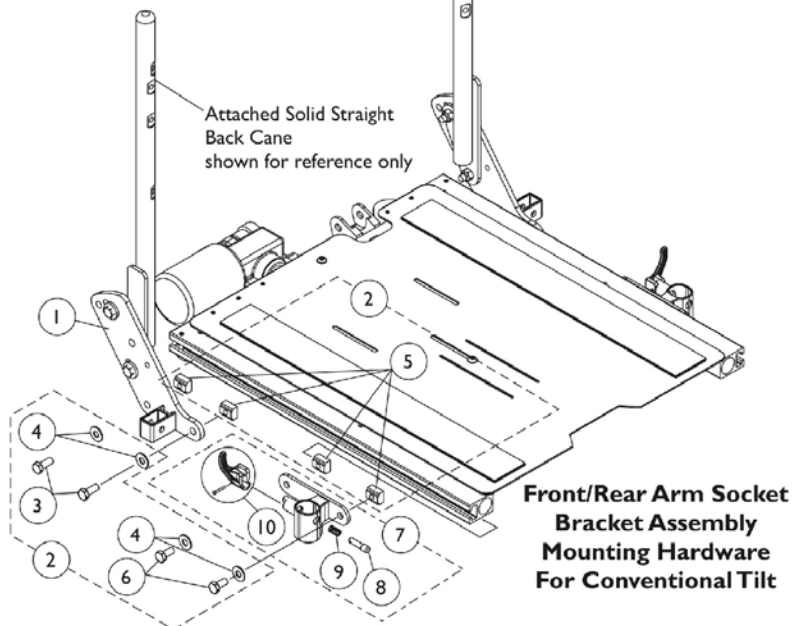
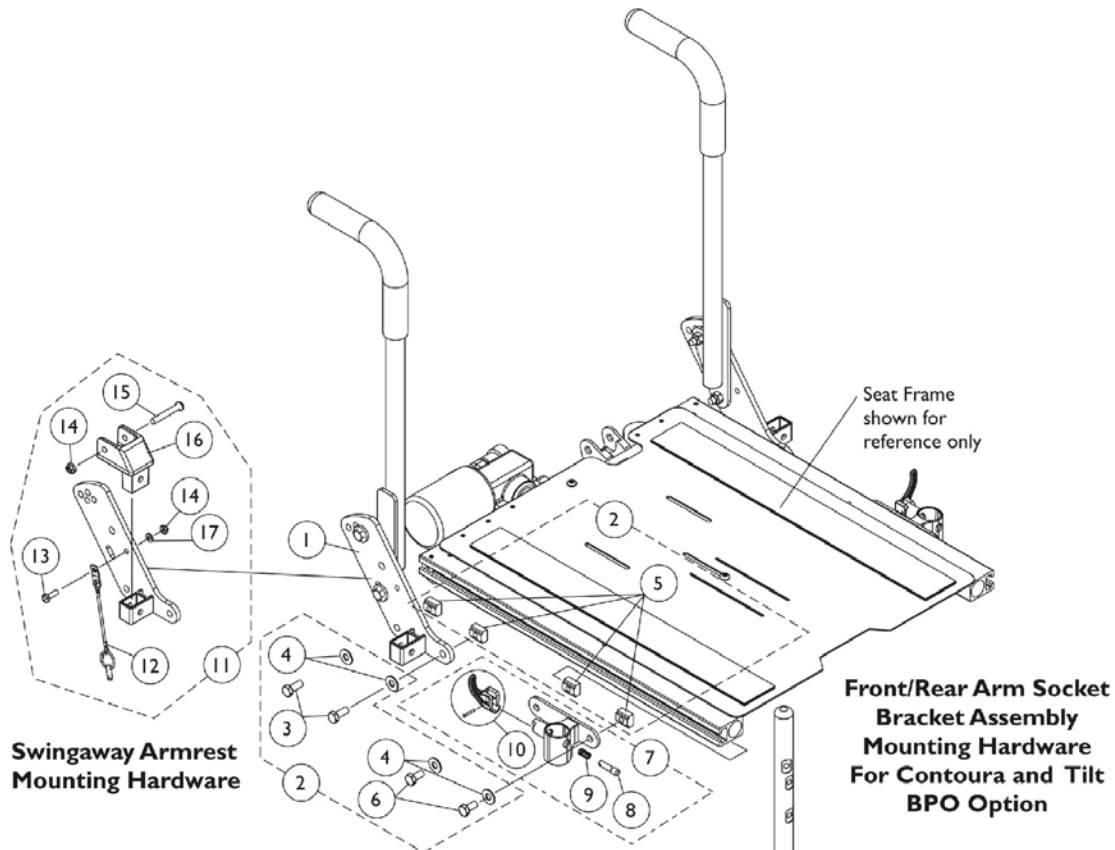
# Front/Rear Arm Socket Assembly and Mounting Hardware (12"-16" W x 12"-15" D) - TDX SPREE



## Front/Rear Arm Socket Assembly and Mounting Hardware (12"-16" W x 12"-15" D) - TDX SPREE

Item Number	Note	Part Number	Description	Quantity Per	
				Package	Assembly
1	A	1144596	Kit, Front/Rear Arm Socket Asbly. Mtg. Hdw. (12-16" Wide)	1	1
2			Screw, Hex Head (5/16-18 x 5/8")	1	4
3			Washer (5/16 x 3/4 x 1/16")	1	4
4			T-Nut (5/16-18)	1	4
5	B	1144597	Kit, Back Cane Bracket Mtg. Hdw. 12-16" Wide	1	1
6			Screw, Hex Head Cap with Patch (5/16-18 x 3/4")	1	2
7			Washer (5/16 x 3/4 x 1/16")	1	2
8			T-Nut (5/16-18)	1	2
9		1146452	Bracket, Back Cane Mounting, Black	1	2
10		1126142	Socket, Rear Arm	1	2
11		1122619	Socket, Front Arm - Right	1	1
11		1122620	Socket, Front Arm - Left	1	1
12	C	1125736	Kit, Swingaway Armrest Mounting Hardware	1	1
13			Pin, Pull	1	1
14			Screw, Hex Head (1/4-20 x 3/4")	1	1
15			Locknut (1/4-20)	1	2
16			Screw, Socket Button Head (1/4-20 x 1-5/8")	1	1
17			Clevis, Pivot	1	1
18			Washer (1/4 x 1/2 x 1/16")	1	1
NOTE: A - Includes items 2-4 B - Includes items 6-8 C - Includes items 13-18					

# Front/Rear Arm Socket Assembly and Mounting Hardware (12"-16" W x 16"-18" D) TDX SPREE & (16"-20" W x 16"-20" D) TDX SC



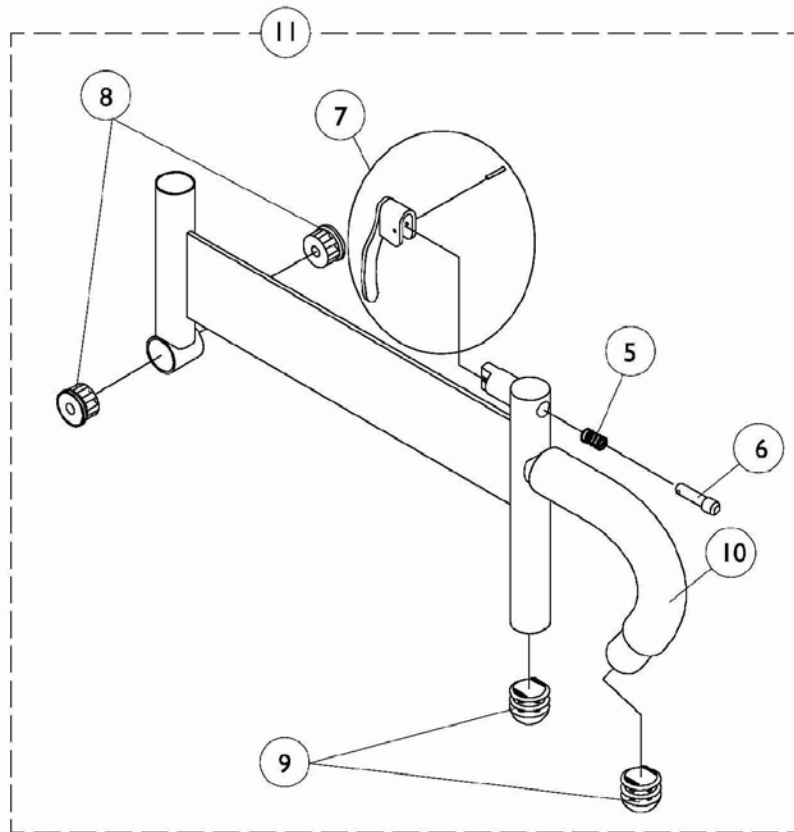
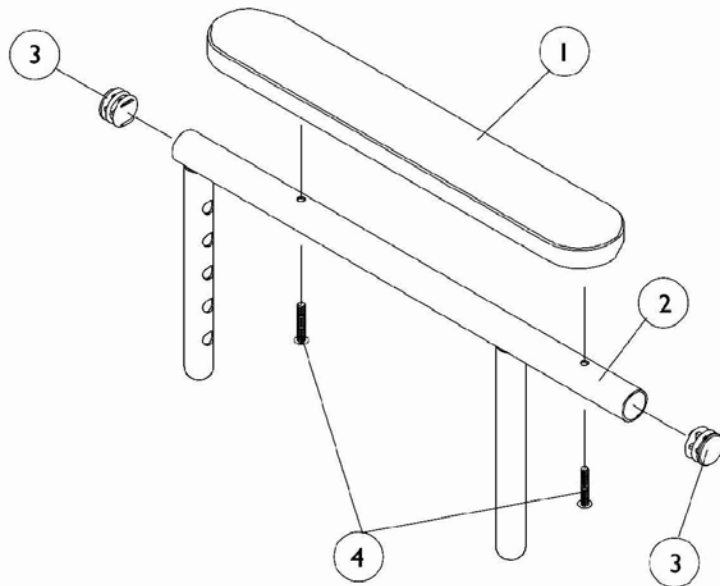
## Front/Rear Arm Socket Assembly and Mounting Hardware (12"-16" W x 16"-18" D) TDX SPREE & (16"-20" W x 16"-20" D) TDX SC

Item Number	Note	Part Number	Description	Quantity Per	
				Package	Assembly
1		1125478	Socket, Rear Arm - Right	1	1
1		1125479	Socket, Rear Arm - Left	1	1
2	A	1125734	Kit, Front/Rear Arm Socket Assembly Mounting Hardware	1	1
3			Screw, Hex Head Cap with Patch (5/16-18 x 3/4")	1	2
4			Washer (5/16 x 3/4 x 1/16")	1	4
5			T-Nut (5/16-18)	1	4
6			Screw, Hex Head (5/16-18 x 5/8")	1	2
7	B	1122619	Socket, Front Arm - Right	1	1
7	B	1122620	Socket, Front Arm - Left	1	1
8		1028594	Pin, Arm Lock	1	1
9		47471X074	Spring, Arm Lock	1	1
10		1090768	Kit, Lock Handle w/Rivets (both LT & RT side)	2	1
11	C	1125736	Kit, Swingaway Armrest Mounting Hardware	1	1
12			Pin, Pull	1	1
13			Screw, Hex Head (1/4-20 x 3/4")	1	1
14			Locknut (1/4-20)	1	2
15			Screw, Socket Button Head (1/4-20 x 1-5/8")	1	1
16			Clevis, Pivot	1	1
17			Washer (1/4 x 1/2 x 1/16")	1	1

NOTE: A - Includes items 3-6  
 B - Includes Front Arm Socket and items 8-10  
 C - Includes items 12-17



# Arms, Adjustable Height (12"-16" W) - TDX SPREE

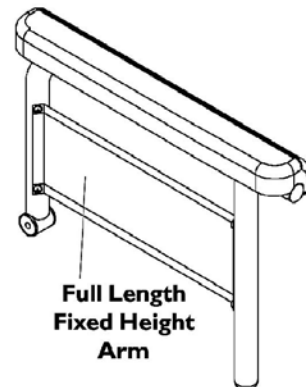
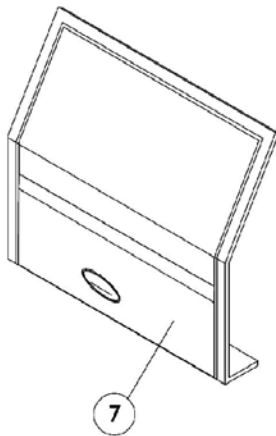
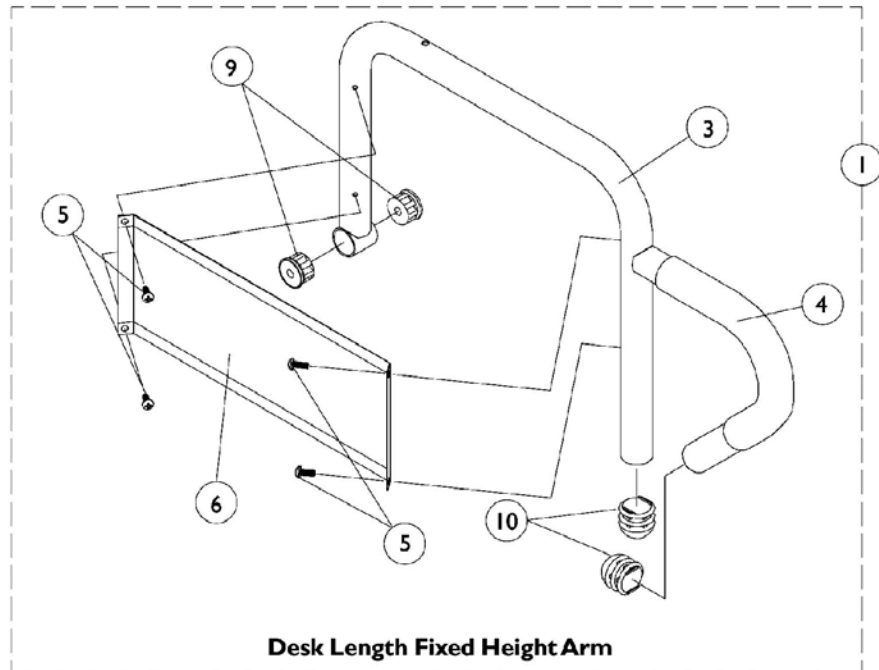
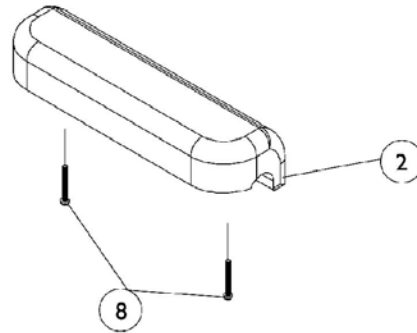


## Arms, Adjustable Height (12"-16" W) - TDX SPREE

Item Number	Note	Part Number	Description	Quantity Per	
				Package	Assembly
1	A	8881015932	Arm Pad, Vinyl, Full Length (14" L x 2" W) - Right	1	1
1	A	8881015933	Arm Pad, Vinyl, Full Length (14" L x 2" W) - Left	1	1
1	A	8881053577	Arm Pads, Vinyl, Full Length with Screws (14" L x 2" W)	2	1
1	A	8881011811	Arm Pad, Vinyl, Desk Length (9" L x 2" W)	1	1
1	A	8881053578	Arm Pads, Vinyl, Desk Length with Screws (9" L x 2" W)	2	1
2		1071263	Upper Arm Assembly, Adjustable Height with Plug Buttons - Full Length	1	1
2		1071259	Upper Arm Assembly, Adjustable Height with Plug Buttons - Desk Length	1	1
3		1027095	Plug Button, Black (7/8")	1	2
4		1055949	Screws, Phillips Pan Head (#10-32 x 1-1/8")	2	1
5		47471X074	Spring, Arm Lock	1	1
6		1028594	Pin, Arm Lock	1	1
7		1090768	Kit, Lock Handle w/Rivets (both LT & RT side)	2	1
8		1065936	Plug, Pivot	1	2
9		1067734	Plug Button, Black (5/8")	1	2
10		1016298	Grip, Push Handle	1	1
11	B	1068585	Arm Base Assembly, Adjustable Height - Right (Black)	1	1
11	B	1068586	Arm Base Assembly, Adjustable Height - Left (Black)	1	1

NOTE: A - Specify U67 Black upholstery color when ordering.  
B - Includes items 5-10

# Fixed Height Arms without Mounting Hardware (16-20" W) - TDX SC



# Fixed Height Arms without Mounting Hardware (16-20" W) - TDX SC

## #1 Arms Less Pad

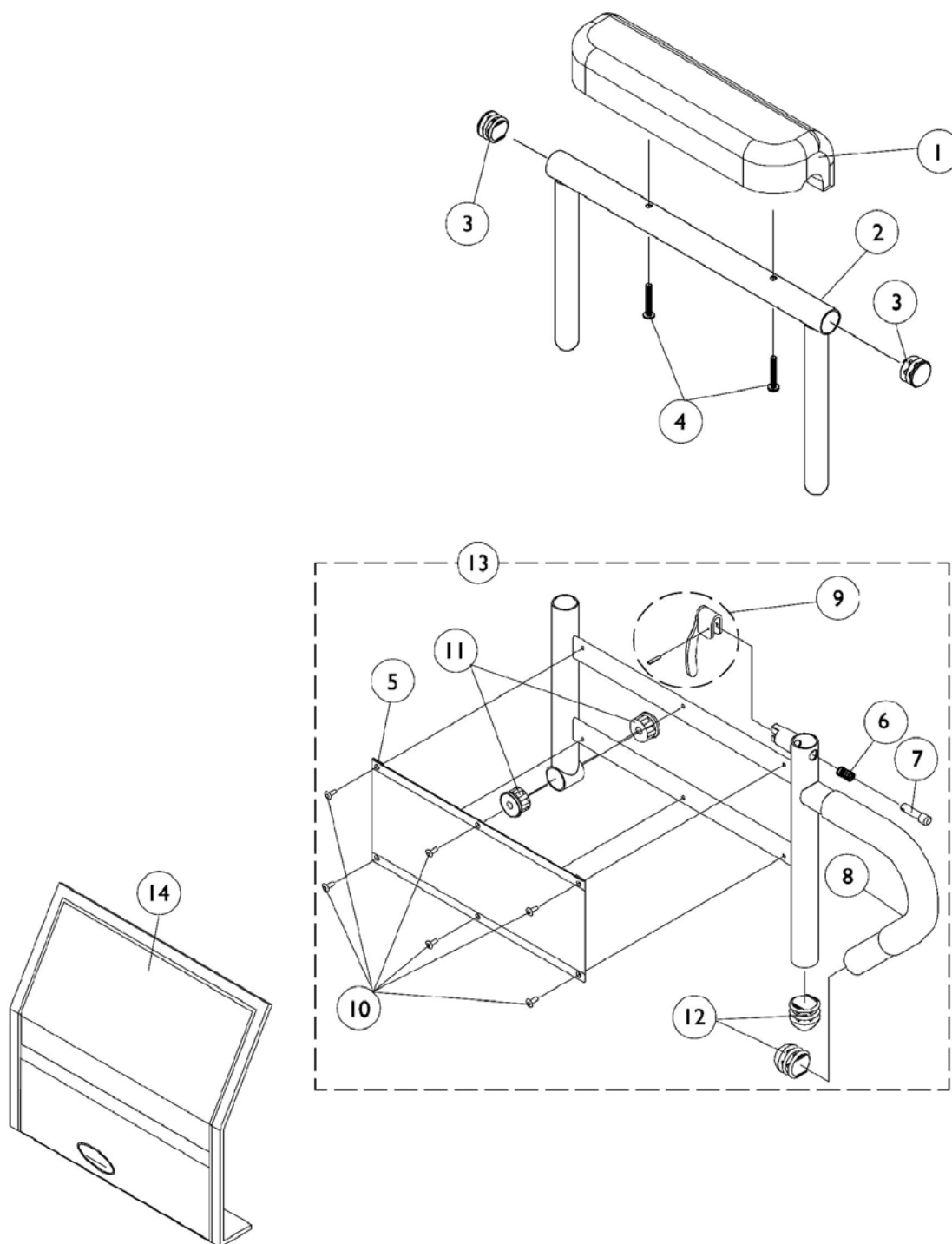
### 16-20" Deep Seat Frames

Arm Style	Right	Left
Desk Length	1068566	1068567
Full Length	1068559	1068560

Item Number	Note	Part Number	Description	Quantity Per	
				Package	Assembly
1		See Chart	Arms Less Pad, 16-20" Deep Seat Frames	1	1
2	B	1117328	Arm Pad, Full Length, Urethane Waterfall with Screws, Black (13" L x 2-5/8" W)	1	1
2		1110818	Arm Pads, Full Length, Urethane Waterfall with Screws, Black (13" L x 2-5/8" W) (Pair)	2	1
2	B	1117327	Arm Pad, Desk Length, Urethane Waterfall with Screws, Black (9" L x 2-5/8" W)	1	1
2		1110817	Arm Pads, Desk Length, Urethane Waterfall with Screws, Black (9" L x 2-5/8" W) (Pair)	2	1
3	A	1068564	Arm Tube, Desk Length 16-19" Deep - Right (Black)	1	1
3	A	1068565	Arm Tube, Desk Length 16-19" Deep - Left (Black)	1	1
3	A	1068490	Arm Tube, Full Length Standard 16-19" Deep - Right (Black)	1	1
3	A	1068491	Arm Tube, Full Length Standard 16-19" Deep - Left (Black)	1	1
4		1032244	Grip, Foam Hand (9" Long)	1	1
5		1025729	Screw, Self Tapping Pan Head (#8-32 x 3/8")	1	4
6		1035472	Clothing Guard, Desk Length	1	1
6	A	1044572	Clothing Guard, Full Length 16-19" Deep	1	1
7		1035065	Cover, Clothing Guard with Pocket - For Fixed Height Desk Length & Adjustable Height Full/Desk Length	1	1
8		1094270	Screw, Phillips Pan Head (#10-32 x 1-1/4") (Pair)	2	1
9		1065936	Plug, Pivot	1	2
10		1067734	Plug Button, Black (5/8")	1	2

NOTE: A - All seat depths will use the 16-19" deep replacement components only.  
B - After 7/9/07 Invacare recommends ordering armpads in pairs to assure uniform appearance on chair

# Adjustable Height Arms without Mounting Hardware (16-20" W) - TDX SC



## Adjustable Height Arms without Mounting Hardware (16-20" W) - TDX SC

Item Number	Note	Part Number	Description	Quantity Per	
				Package	Assembly
1	B	1117328	Arm Pad, Full Length, Urethane Waterfall with Screws, Black (13" L x 2-5/8" W)	1	1
1		1110818	Arm Pads, Full Length, Urethane Waterfall with Screws, Black (13" L x 2-5/8" W) (Pair)	2	1
1	B	1117327	Arm Pad, Desk Length, Urethane Waterfall with Screws, Black (9" L x 2-5/8" W)	1	1
1		1110817	Arm Pads, Desk Length, Urethane Waterfall with Screws, Black (9" L x 2-5/8" W) (Pair)	2	1
2		1071253	Arm Top, Adjustable Height with Plug Buttons - Full Length (Black)	1	1
2		1070859	Arm Tube, Upper with Plug Buttons (Black) - Desk Length	1	1
3		1027095	Plug Button, Black (7/8")	1	2
4		1094270	Screw, Phillips Pan Head (#10-32 x 1-1/4") (Pair)	2	1
5		1064130	Clothing Guard	1	1
6		47471X074	Spring, Arm Lock	1	1
7		1028594	Pin, Arm Lock	1	1
8		1032244	Grip, Foam Hand (9" Long)	1	1
9		1090768	Kit, Lock Handle w/Rivets (both LT & RT side)	2	1
10		1028645	Rivet	1	6
11		1065936	Plug, Pivot	1	2
12		1067734	Plug Button, Black (5/8")	1	2
13	A	1068416	Arm Base, Adjustable Height 16-19" Deep - Right (Black)	1	1
13	A	1068417	Arm Base, Adjustable Height 16-19" Deep - Left (Black)	1	1
13	A	1067761	Arm Base, 1" Lower, Adjustable Height 16-19" Deep - Right (Black)	1	1
13	A	1067762	Arm Base, 1" Lower, Adjustable Height 16-19" Deep - Left (Black)	1	1
14		1035065	Cover, Clothing Guard with Pocket - For Fixed Height Desk Length & Adjustable Height Full/Desk Length	1	1

NOTE: A - All seat depths will use the 16-19" deep replacement components only.  
B - After 7/9/07 Invacare recommends ordering armpads in pairs to assure uniform appearance on chair

# Front Riggings Reference Chart

## For AT5544, 70NHD, PHW93

**NOTE: Calf Pads with attaching hardware not included on Legrest.**

**NOTE: Pivot/Slide Tube attaching hardware not included.**

**NOTE: Pivot/Slide Tube and Footplates do not include Heel Loops. See Footrest and Legrest Accessories.**

1651 = Composite footplate with 9-7/8" curved pivot/ slide tube.
AT5543 = Adjustable angle footplate with 9-7/8" straight pivot/ slide tube.
1350 = Extra large footplate with "L" style pivot/ slide tube.

### Support Assemblies - AT5544, 70NHD, PHW93

Rigging Type	AT5544	70NHD	PHW93 (Black)
Right	8881045291 <small>See Note(s) A</small>	8881053149 <small>See Note(s) A</small>	1114755
Left	8881045292 <small>See Note(s) A</small>	8881053148 <small>See Note(s) A</small>	1114756

NOTE: A - Specify frame color when ordering, see page titled "Frame Finishes and Touch-Up Paints". Used for TDX SC models only

### Pivot/ Slide Tube and Footplates For AT5544, 70NHD, PHW93

Footplate Type	1651 12-14" W	1651 15-16" W	1651 17-20" W	1350 17-20" W	AT5543 12-13" W	AT5543 14-15" W	AT5543 16-20" W
Right	1057859 <small>See Note(s) A</small>	1057869 <small>See Note(s) A</small>	1057879	1026395	1060442	1060444	1062756
Left	1057860 <small>See Note(s) A</small>	1057870 <small>See Note(s) A</small>	1057880	1026396	1060443	1060445	1062757
Right 2" Longer	1057861 <small>See Note(s) A</small>	1057871 <small>See Note(s) A</small>	1057881	1086515	N/A	1062758	1062760
Left 2" Longer	1057862 <small>See Note(s) A</small>	1057872 <small>See Note(s) A</small>	1057882	1086517	N/A	1062759	1062761
Right 4" Longer	1058419 <small>See Note(s) A</small>	1058421 <small>See Note(s) A</small>	1058423	1086516	N/A	1121138	1121140
Left 4" Longer	1058420 <small>See Note(s) A</small>	1058422 <small>See Note(s) A</small>	1058424	1086518	N/A	1121139	1121141

# Front Riggings Reference Chart

## For AT5544, 70NHD, PHW93

NOTE: A - Not available on AT5544 legrest 13-15" wide



# Front Riggings Reference Chart

## For 90 SWING

**NOTE: Pivot/Slide tube attaching hardware not included.**

**NOTE: Pivot/Slide tube and footplates do not include heel loops. See footrest and legrest accessories.**

AT5543 = Adjustable angle footplate with 9-7/8" straight pivot/slide tube.
--

### Support Assemblies

**Pivot/Slide tube and footplates are interchangeable with the support assemblies listed.**

Rigging Type	90 SWING
Right	8881062596 <small>See Note(s) A</small>
Left	8881062597 <small>See Note(s) A</small>

NOTE: A - Specify frame color when ordering, see page titled "Frame Finishes and Touchup Paints".

### Pivot/Slide Tube and Footplates

Footplate Type	AT5543 12-13" W	AT5543 14-15" W	AT5543 16" W
Right	1060436	1060438	1062570
Left	1060437	1060439	1062571

# Front Riggings Reference Chart For PH93M2

**NOTE: Pivot/Slide Tube attaching hardware not included.**

**NOTE: Pivot/Slide Tube and Footplates do not include Heel Loops. See Footrest and Legrest Accessories.**

1650 = Aluminum footplate with "L" style pivot/slide tube.
AT5543 = Adjustable angle footplate with 9-7/8" straight pivot/ slide tube.

## Support Assembly - PH93M2

Rigging Type	PH93M2 (Black)
Right	1122964
Left	1122965

## Pivot/Slide Tube and Footplates For PH93M2

Footplate Type	1650 12-13" W	1650 14-15" W	1650 16" W	AT5543 12-13" W	AT5543 14-15" W	AT5543 16" W
Right	1123074	1123076	1057969	1060430	1060432	1062572
Left	1123075	1123077	1057970	1060431	1060433	1062573

# Front Riggings Reference Chart For PHAL4A

**NOTE: Calf Pads with attaching hardware not included on Legrest.**

**NOTE: Pivot/Slide Tube attaching hardware not included.**

**NOTE: Pivot/Slide Tube and Footplates do not include Heel Loops. See Footrest and Legrest Accessories.**

1650 = Aluminum footplate with "L" style pivot/slide tube.
1350 = Extra large footplate with "L" style pivot/slide tube.
AT5543 = Adjustable angle footplate with 9-7/8" straight pivot/ slide tube.

## Support Assembly - PHAL4A

Rigging Type	PHAL4A (Chrome Only)
Right	1031437
Left	1031438

## Pivot/Slide Tube and Footplates For PHAL4A

Footplate Type	1650 14-15" W	1650 16-20" W	1350 17-22" W	AT5543 14-15" W	AT5543 16-20" W
Right	1023905	1023907	1035456	1091775	1091777
Left	1023906	1023908	1035457	1091776	1091778

# Front Riggings Reference Chart

## 70ST TAPER

**NOTE: Pivot/Slide Tube attaching hardware not included.**  
**NOTE: Pivot/Slide Tube and Footplates do not include Heel Loops. See Footrest and Legrest Accessories.**

1651 = Composite footplate with 9-7/8" curved pivot/slide tube.

### Support Assemblies - 70ST TAPER

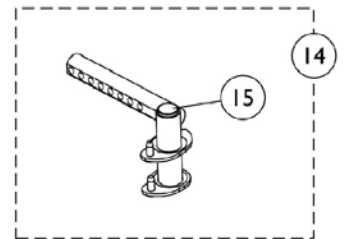
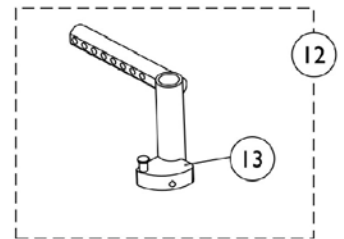
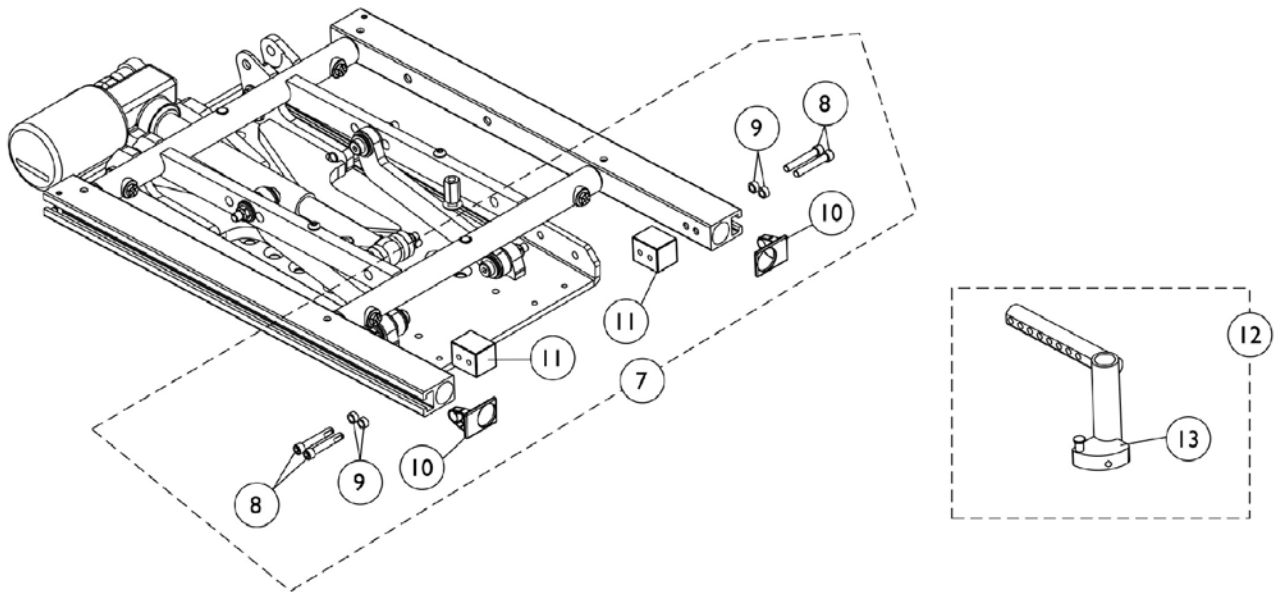
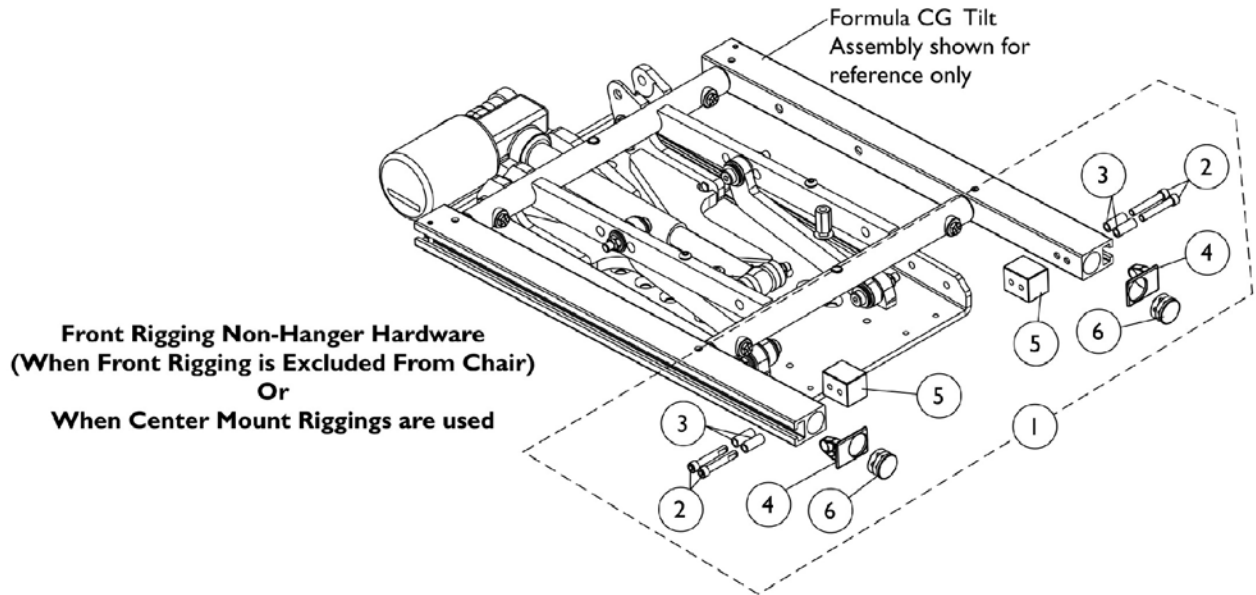
Rigging Type	70ST TAPER
Right	8881026996  See Note(s) A
Left	8881026997  See Note(s) A

NOTE: A - Specify frame color when ordering, see page titled "Frame Finishes and Touch-Up Paints". Used on TDX SC models only

### Pivot/Slide Tube and Footplates For 70ST TAPER

Footplate Type	1651 16-17" W	1651 18-19" W	1651 20" W
Right	1057859	1057869	1057879
Left	1057860	1057870	1057880
Right 2" Longer	1057861	1057871	1057881
Left 2" Longer	1057862	1057872	1057882

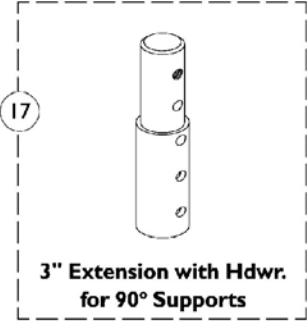
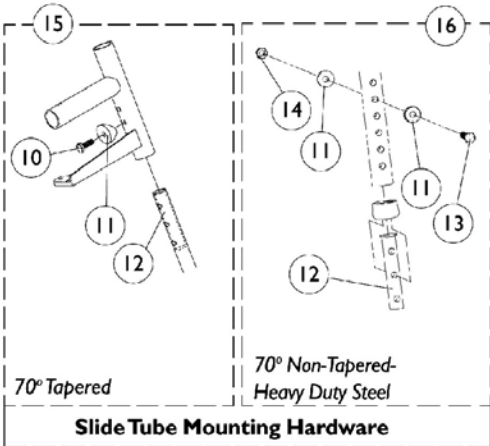
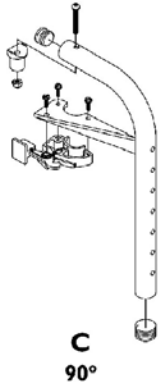
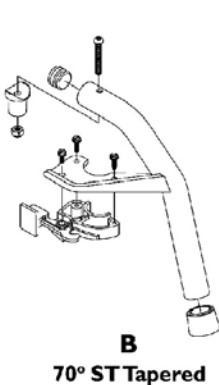
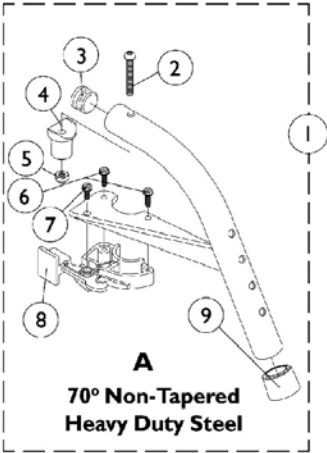
# Front Rigging Hangers and Hardware Pin & Sector Style (12"-20" Wide)



## Front Rigging Hangers and Hardware Pin & Sector Style (12"-20" Wide)

Item Number	Note	Part Number	Description	Quantity Per	
				Package	Assembly
1	A	1124723	Kit, Side Rail Cap Hardware (Pair)	1	1
2			Screw, Socket Head Cap w/ Patch (1/4-20 x 1-1/2")	1	4
3			Spacer (1/4 x 3/8 x 29/32")	1	4
4			Cap, Side Rail End	1	2
5			Block, Threaded	1	2
6			Plug Button, Black (1")	1	2
7	B	1125726	Kit, Front Rigging Hanger Mounting Hardware (Pair)	1	1
8			Screw, Socket Head Cap w/ Patch (1/4-20 x 1-1/2")	1	4
9			Spacer (1/4 x 3/8 x 3/16")	1	4
10			Cap, Side Rail End	1	2
11			Block, Threaded	1	2
12	C	1143416	Front Rigging Hanger Asbly. (Sector Style) - Right	1	1
12	C	1143417	Front Rigging Hanger Asbly. (Sector Style) - Left	1	1
13	D	1054571	Kit, Sector Block - Right	1	1
13	D	1054572	Kit, Sector Block - Left	1	1
14		1143783	Front Rigging Hanger w/ Plug Button (Hemi) - Right	1	1
14		1143784	Front Rigging Hanger w/ Plug Button (Hemi) - Left	1	1
15		1134426	Package, Plug Buttons, Black (3/4")	10	1
NOTE: A - Includes items 2-6 B - Includes items 8-11 C - Includes item 13 D - Includes Sector Block, Screw and Washer					

# Footrest Support Assemblies Sector Style



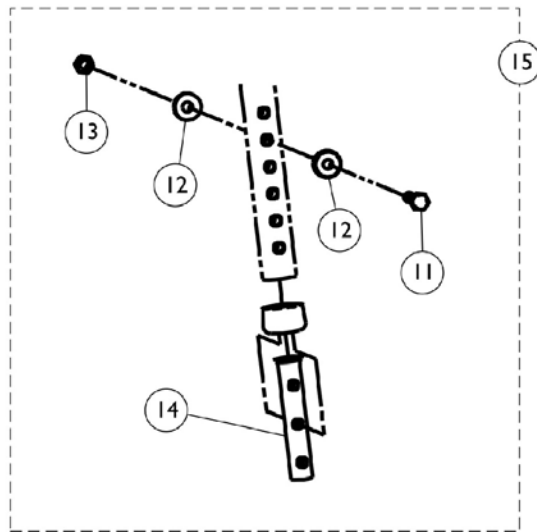
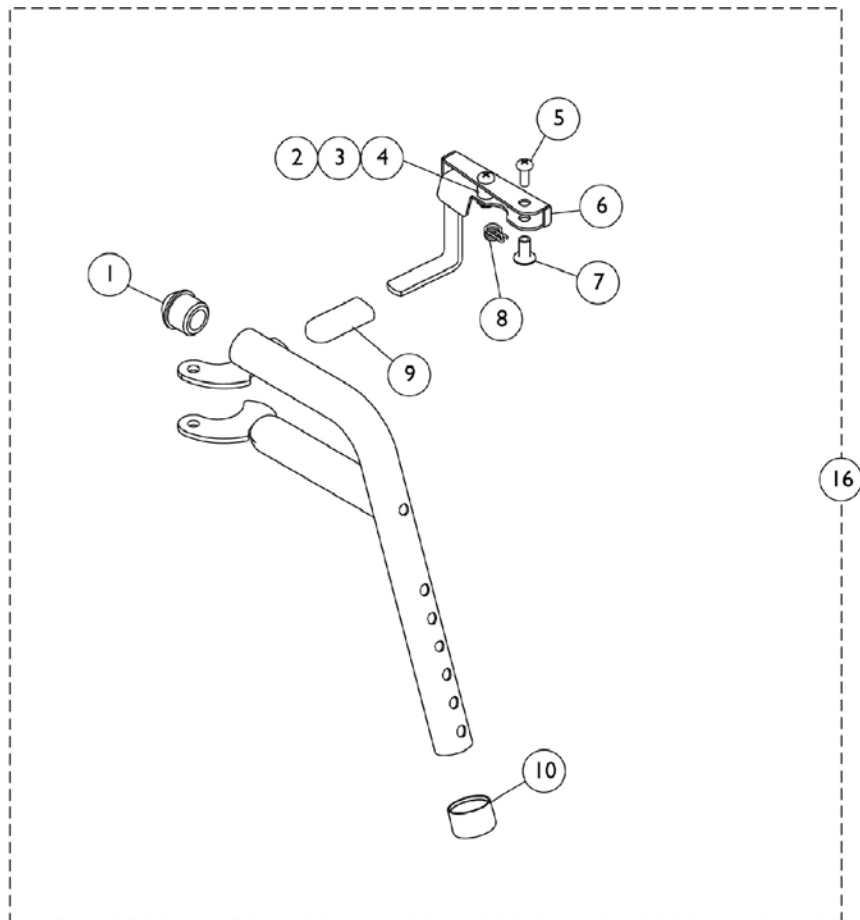
## Footrest Support Assemblies Sector Style

Item Number	Note	Part Number	Description	Quantity Per	
				Package	Assembly
1	A,C,F	8881053149	Footrest Support Assembly, 70° Non-Tapered Heavy Duty, Sector, Color - Right	1	1
1	A,C,F	8881053148	Footrest Support Assembly, 70° Non-Tapered Heavy Duty, Sector, Color - Left	1	1
1	A,D,F	8881026996	Footrest Support Assembly, 70° Tapered, Sector, Color - Right	1	1
1	A,D,F	8881026997	Footrest Support Assembly, 70° Tapered, Sector, Color - Left	1	1
1	A,F,I	8881062596	Footrest Support Assembly, 90°, Sector, Color - Right	1	1
1	A,F,I	8881062597	Footrest Support Assembly, 90°, Sector, Color - Left	1	1
2		1022831	Screw, Socket Button Head (1/4-20 x 1-7/8")	1	1
3		1029501	Plug Button, Black (1")	1	1
4		1017148	Plug, Pivot	1	1
5		1025736	Locknut (1/4-20)	1	1
6		1025451	Screw, Slotted Hex Washer Head (#10-32 x 5/8")	1	2
7		1017423	Screw, Slotted Hex Washer Head (#10-32 x 1/2")	1	1
8		1025454	Latch Housing - Right	1	1
8		1025455	Latch Housing - Left	1	1
9		1026124	Anti-Rattle Collar	1	1
10		1045267	Screw, Hex Head (1/4-20 x 3/4")	1	1
11	B	1026099	Spacer, Coved (1/4 x 11/16 x 1/2")	1	2
12		1020534	Insert, Threaded	1	1
13		1070759	Screw, Hex Head (1/4-20 x 1-1/2")	1	1
14		1044214	Nut, Hex with Nylon Cap (1/4-20)	1	1
15	G	1026703	Kit, Pivot/Slide Tube Mounting Hardware (Pair)	1	1
16	H	1057846	Kit, Pivot/Slide Tube Mounting Hardware (Pair)	1	1
17	A	8881038231	Kit, 3" Extension w/ Hardware (Pair)	1	1
	E	1026987	Impact Guard, 8" Long	1	1

NOTE: A - Specify frame color when ordering. See page titled "Frame Finishes and Touch-Up Paints."  
 B - Item 16 takes 4  
 C - See Image "A"  
 D - See Image "B"  
 E - Not Shown  
 F - Includes items 2-9  
 G - Includes items 10-12  
 H - Includes items 11-14  
 I - See Image "C"



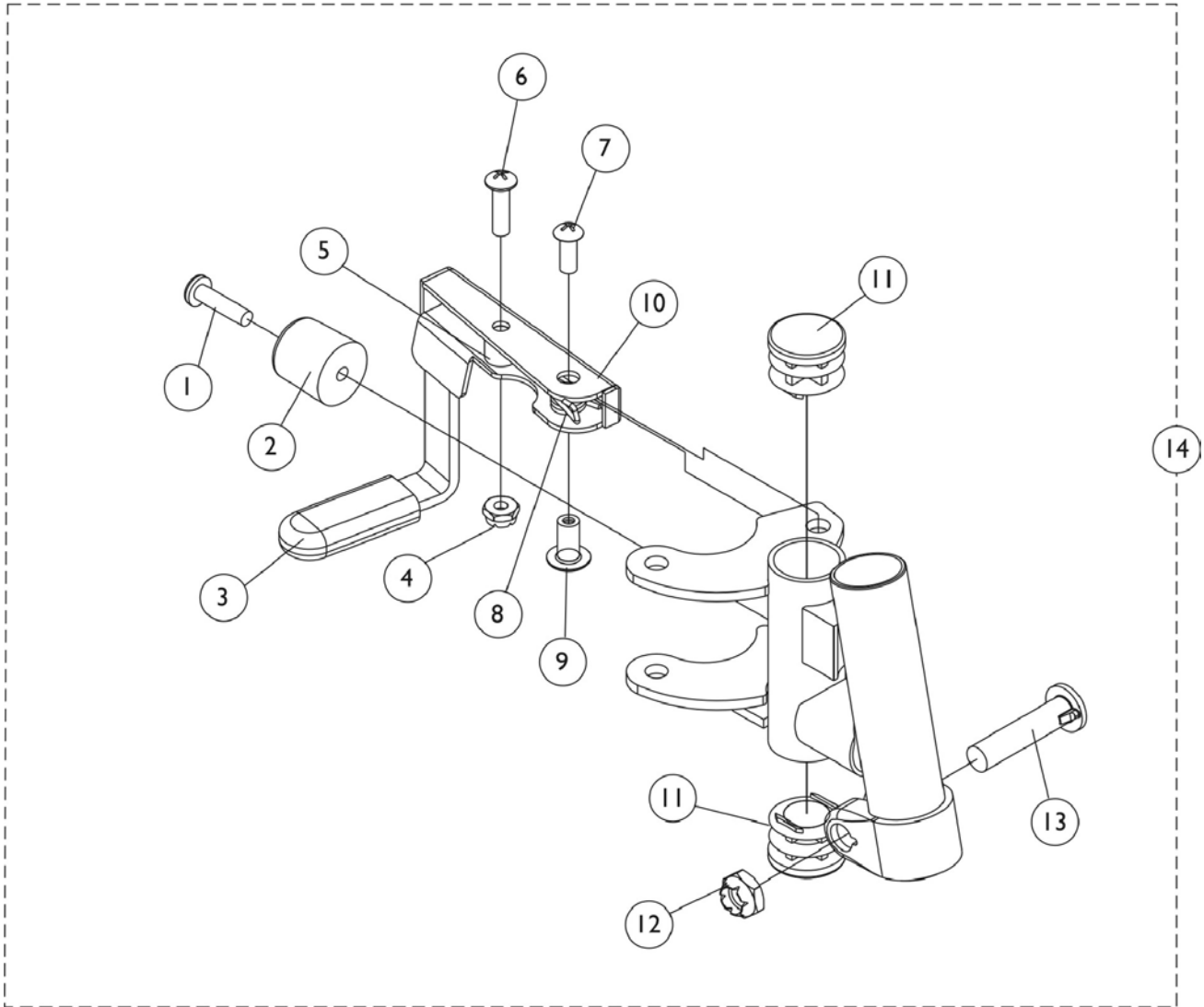
# PHW93 (Hemi) Footrest Supports Black (Pin Style)



## PHW93 (Hemi) Footrest Supports Black (Pin Style)

Item Number	Note	Part Number	Description	Quantity Per	
				Package	Assembly
1		1020719	Anti-Rattle, Black	1	1
2		1025716	Screw, Phillips Pan Head (#10-32 x 11/16")	1	1
3		47565X057	Bushing (7/32 x 3/8 x 11/32")	1	1
4		1025735	Locknut (#10-32)	1	1
5		1026114	Screw, Phillips Pan Head (#10-32 x 1/2")	1	1
6	A	1114749	Release Handle (Black) - Right	1	1
6	A	1114750	Release Handle (Black) - Left	1	1
7		1028846	Rivnut (#10-32)	1	1
8		1028707	Spring, Release - Right	1	1
8		1028708	Spring, Release - Left	1	1
9		1006490	Tip, Plastic, Black	1	1
10		15680X012	Collar, Anti-Rattle (7/8")	1	1
11		1070759	Screw, Hex Head (1/4-20 x 1-1/2")	1	1
12		1026099	Spacer, Coved (1/4 x 11/16 x 1/2")	1	2
13		1044214	Nut, Hex with Nylon Cap (1/4-20)	1	1
14		1020534	Insert, Threaded	1	1
15	C	1074143	Kit, Slide Tube Mounting Hardware	1	1
16	B	1114755	Footrest Support Assembly, Hemi, Black - Right	1	1
16	B	1114756	Footrest Support Assembly, Hemi, Black - Left	1	1
NOTE: A - Includes items 2-4 B - Includes items 1-10 C - Includes items 11-14					

# PH93M2 (Hemi) Footrest Supports Black (Pin Style)

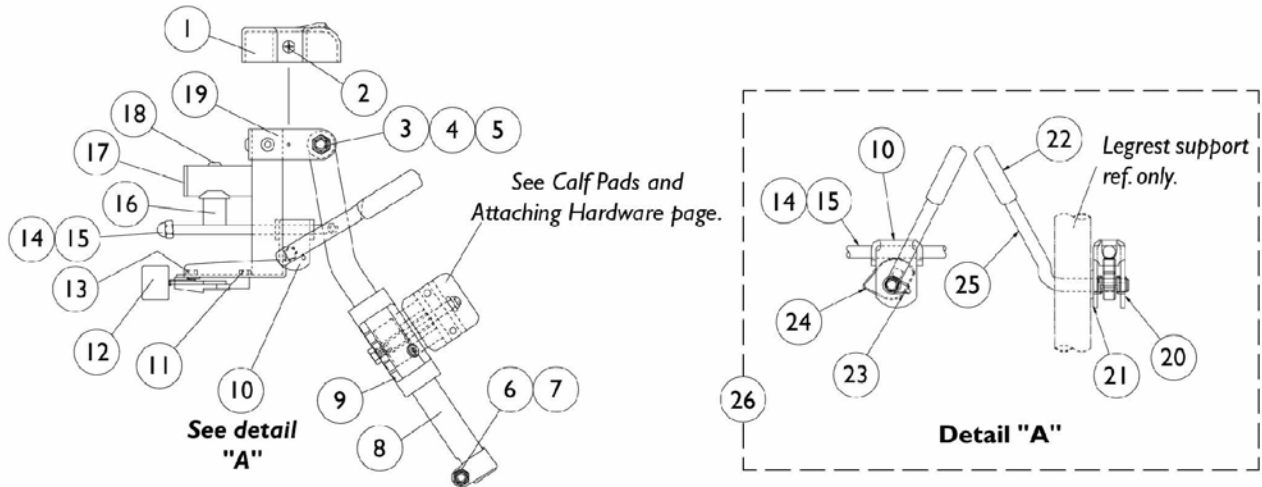


## PH93M2 (Hemi) Footrest Supports Black (Pin Style)

Item Number	Note	Part Number	Description	Quantity Per	
				Package	Assembly
1		1030979	Screw, Phillips Pan Head Tap (#10-32 x 3/4")	1	1
2		1022874	Bumper	1	1
3		1006490	Tip, Plastic, Black	1	1
4		60279X003	Locknut (#10-32)	1	1
5		47565X057	Bushing (7/32 x 3/8 x 11/32")	1	1
6		40163X008	Screw, Phillips Pan Head (#10-32 x 11/16")	1	1
7		40163X002	Screw, Phillips Round Head (#10-32 x 1/2")	1	1
8		1008935	Spring, Release - Right	1	1
8		1008936	Spring, Release - Left	1	1
9		67005X000	Rivnut (#10-32)	1	1
10		1114745	Handle, Release - Right	1	1
10		1114746	Handle, Release - Left	1	1
11		1027095	Plug Button, Black (7/8")	1	2
12		60264X001	Locknut (5/16-24)	1	1
13		11232X009	Screw, Lug (5/16-24 x 1-3/8")	1	1
14	A	1122964	Footrest Support Assembly, Hemi, Black - Right	1	1
14	A	1122965	Footrest Support Assembly, Hemi, Black - Left	1	1

NOTE: A - Includes items 1-13

# AT5544 Legrest Supports (Sector Style) 16" and Wider Chairs

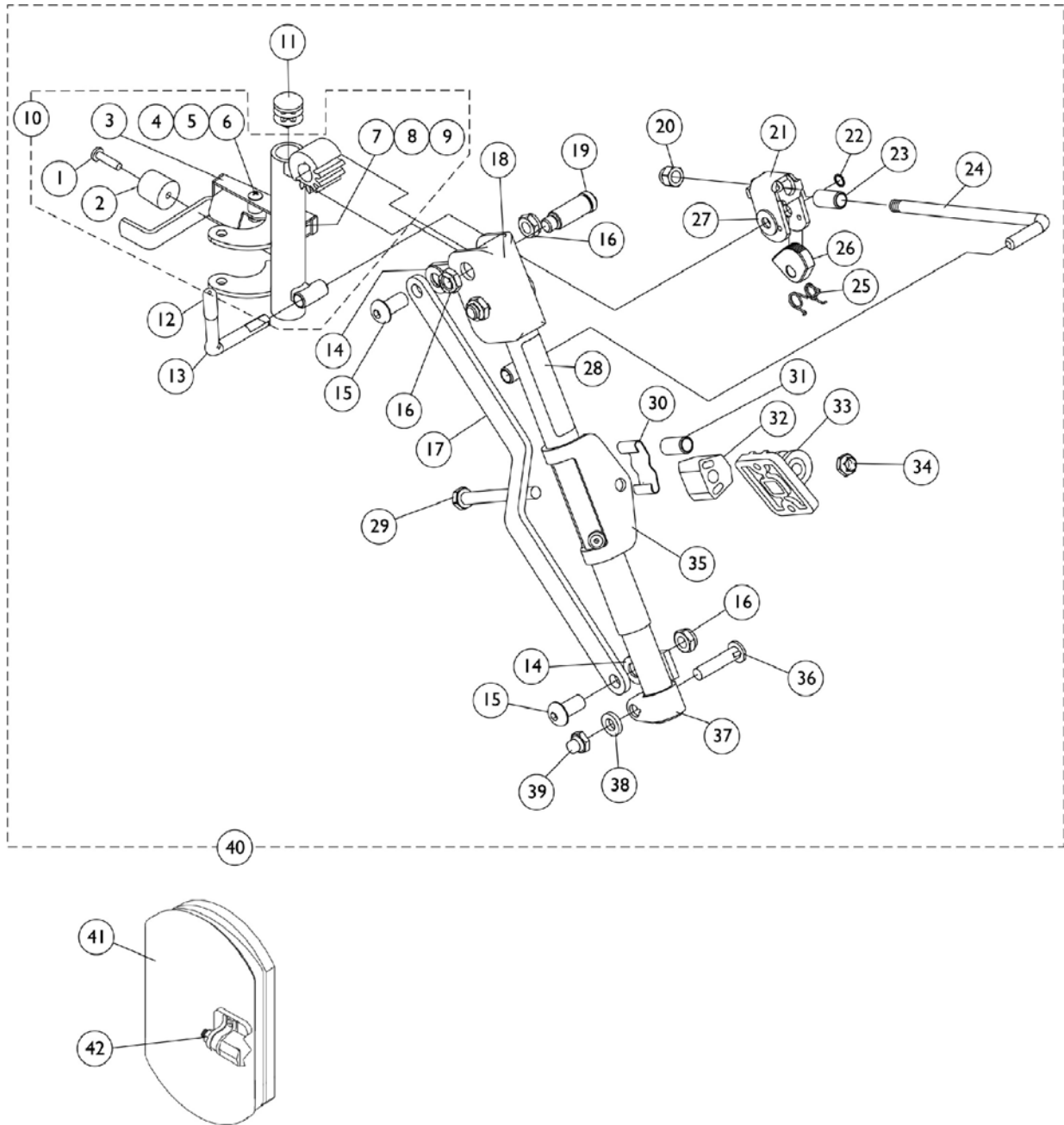


## AT5544 Legrest Supports (Sector Style) 16" and Wider Chairs

Item Number	Note	Part Number	Description	Quantity Per	
				Package	Assembly
1		1017187	Cover, Top	1	1
2		1028529	Screw, Phillips Pan Head (#8-32 x 3/8")	1	2
3		40363X000	Hex Nut (3/8"-16)	1	1
4		1058636	Washer, Nylon (25/64 x 7/8 x 1/32")	1	2
5		11919X000	Screw, Truss Head (3/8-16 x 1-1/2")	1	1
6		1025730	Locknut (5/16-24)	1	1
7		1026030	Screw, Lug (5/16-24 x 1-3/8")	1	1
8		1043556	Tube, Elevating Support (Black) - Right	1	1
8		1043557	Tube, Elevating Support (Black) - Left	1	1
8	A	8881048851	Tube, Elevating Support (Color) - Right	1	1
8	A	8881048852	Tube, Elevating Support (Color) - Left	1	1
9		1032266	Bracket, Legrest Pad Mounting, Black	1	1
10		04528X002	Bracket, Release, Chrome	1	1
11		1025451	Screw, Slotted Hex Washer Head (#10-32 x 5/8")	1	2
12		1025454	Latch Housing - Right	1	1
12		1025455	Latch Housing - Left	1	1
13		1017423	Screw, Slotted Hex Washer Head (#10-32 x 1/2")	1	1
14		42326X001	Bar, Ratchet	1	1
15		10261X000	Acorn Nut (5/16"-24)	1	1
16		1017148	Plug, Pivot	1	1
17		1029501	Plug Button, Black (1")	1	1
18		1001762	Screw, Socket Button Head (1/4-20 x 1-3/4")	1	1
19	A	8881045289	Bracket, Legrest Support, Color - Right	1	1
19	A	8881045290	Bracket, Legrest Support, Color - Left	1	1
20		1040831	Snap Ring	1	1
21		1013519	Washer, Nylon (5/16 x 11/16 x 1/16")	1	1
22		1040060	Tip, Black Plastic	1	1
23		1037485	Spring, Release	1	1
24		1037125	Cam, Legrest	1	1
25		1037126	Handle, Release	1	1
26	B	1096974	Kit, Ratchet Elevating Legrest	2	1
	C	1096943	Instruction Sheet, Ratchet Kit	1	1
	A,C	8881045291	Legrest Support Assembly, Sector, Color - Right	1	1
	A,C	8881045292	Legrest Support Assembly, Sector, Color - Left	1	1

NOTE: A - Specify frame color when ordering. See page titled "Frame Finishes and Touch-Up Paints".  
 B - Includes items 10, 14, 15 and 20-25  
 C - Not Shown

# PHAL4A (Hemi) Articulating Legrest Supports Chrome



## PHAL4A (Hemi) Articulating Legrest Supports Chrome

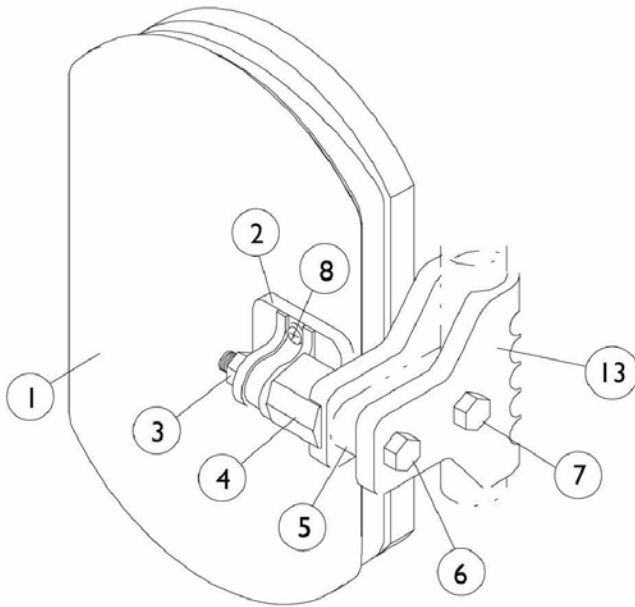
Item Number	Note	Part Number	Description	Quantity Per	
				Package	Assembly
1		1030979	Screw, Phillips Pan Head Tap (#10-32 x 3/4")	1	1
2		1022874	Bumper	1	1
3		1023428	Handle, Release, Chrome - Right	1	1
3		1023431	Handle, Release, Chrome - Left	1	1
4		47565X057	Bushing (7/32 x 3/8 x 11/32")	1	1
5		60279X003	Locknut (#10-32)	1	1
6		40163X008	Screw, Phillips Pan Head (#10-32 x 11/16")	1	1
7		1008935	Spring, Release - Right	1	1
7		1008936	Spring, Release - Left	1	1
8		67005X000	Rivnut (#10-32)	1	1
9		40163X002	Screw, Phillips Round Head (#10-32 x 1/2")	1	1
10		1023092	Legrest Support Tube Assembly, Hemi, Chrome - Right	1	1
10		1023093	Legrest Support Tube Assembly, Hemi, Chrome - Left	1	1
11		1027097	Plug Button, Black (3/4")	1	1
12		1040060	Tip, Black Plastic	1	1
13		1037126	Handle, Release	1	1
14		1049527	Washer, Nylon (3/8 x 3/4 x 1/16")	1	2
15		1022866	Screw, Socket Button Head (3/8-16 x 3/4")	1	2
16		40363X000	Hex Nut (3/8"-16)	1	3
17		1022846	Bar, Link, Chrome	1	1
18		1022877	Tube Support and Drive Link - Right	1	1
18		1022878	Tube Support and Drive Link - Left	1	1
19		1022854	Screw, Slotted Head Shoulder (1/2 x 1-1/8")	1	1
20		10261X000	Acorn Nut (5/16"-24)	1	1
21		04528X002	Bracket, Release, Chrome	1	1
22		1040831	Snap Ring	1	1
23		47328X003	Bushing, Pivot (5/16 x 7/16 x 7/8")	1	1
24		42326X004	Bar, Ratchet - Right/Left	1	1
25		1037485	Spring, Release	1	1
26		1037125	Cam, Legrest	1	1
27		1013519	Washer, Nylon (5/16 x 11/16 x 1/16")	1	1
28		1024911	Decal, Smartleg	1	1
29		1014807	Screw, Hex Head (5/16-24 x 3-1/4")	1	1
30		48823X008	Spring, Leaf	1	1
31		47328X003	Bushing, Pivot (5/16 x 7/16 x 7/8")	1	1
32		1025133	Spacer, Legrest Pad	1	1
33		04526X019	Plate, Legrest Pad	1	1
34		60264X001	Locknut (5/16-24)	1	1
35		1025104	Bracket, Legrest, Chrome	1	1
36		11232X009	Screw, Lug (5/16-24 x 1-3/8")	1	1
37		1022848	Slide Tube, Articulating (Chrome) - Right	1	1
37		1022849	Slide Tube, Articulating (Chrome) - Left	1	1



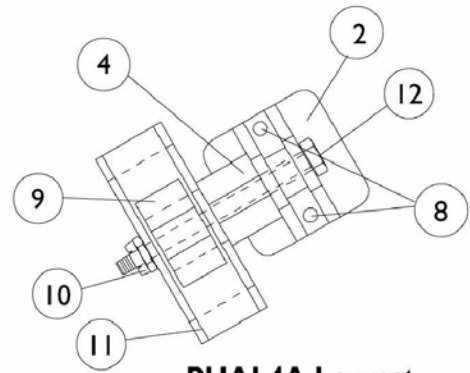
## PHAL4A (Hemi) Articulating Legrest Supports Chrome

Item Number	Note	Part Number	Description	Quantity Per	
				Package	Assembly
38		1027377	Washer (#20)	1	1
39		1107321	Nut, Low Cap (5/16"-24)	1	1
40	B	1031437	Legrest Support Assembly, Articulating, Hemi, Chrome - Right	1	1
40	B	1031438	Legrest Support Assembly, Articulating, Hemi, Chrome - Left	1	1
41	A,C	8881091764	Pad, Legrest Vinyl - Right/Left	1	1
41		04529X003	Calf Pad w/Cover Black 14-15" without Hardware - Right	1	1
41		04529X004	Calf Pad w/Cover Black 14-15" without Hardware - Left	1	1
42		1068649	Screws, Phillips Head (#10-32 x 11/16")	2	1
NOTE: A - Specify upholstery color U67 black when ordering. B - Includes items 1-39 C - For 16" and wider seats					

# Calf Pads and Attaching Hardware



**AT5544 Legrest.**



**PHAL4A Legrest**

## Calf Pads and Attaching Hardware

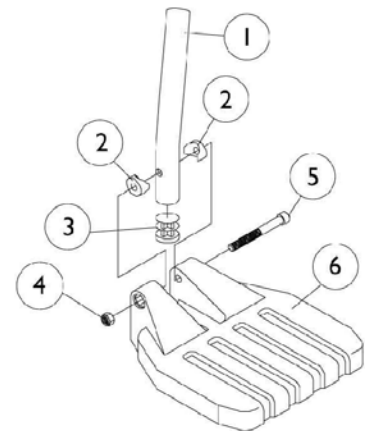
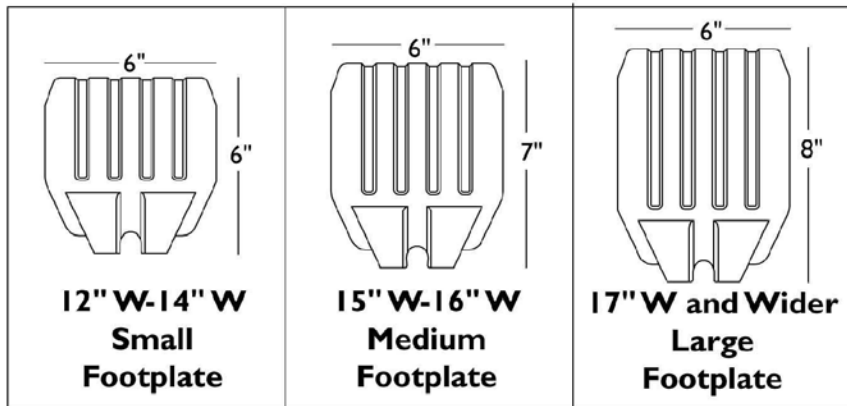
Item Number	Note	Part Number	Description	Quantity Per	
				Package	Assembly
1	A	8881091759	Pad w/Cover and Screws, Legrest Vinyl (Pair)	2	1
1	A	8881091764	Pad, Legrest Vinyl - Right/Left	1	1
1	A,B	88804529X003	Pad, Legrest Vinyl - Right	1	1
1	A,B	88804529X004	Pad, Legrest Vinyl - Left	1	1
2		04526X019	Plate, Legrest Pad	1	1
3		1025730	Locknut (5/16-24)	1	1
4		1025133	Spacer, Legrest Pad	1	1
5		1032267	Spacer, Legrest Pad Mounting	1	1
6		1037110	Screw, Hex Head (5/16-24 x 3-1/2")	1	1
7		1028514	Screw, Hex Head (5/16-24 x 1-1/2")	1	1
8		1066591	Screws, Phillips Head (#10-32 x 11/16")	2	1
9		48823X008	Spring, Leaf	1	1
10		60264X001	Locknut (5/16-24)	1	1
11		1025104	Bracket, Legrest, Chrome	1	1
12		1014807	Screw, Hex Head (5/16-24 x 3-1/4")	1	1
13		1032266	Bracket, Legrest Pad Mounting, Black	1	1

NOTE: A - Specify upholstery color. See page titled "Frame Finishes, Touch-Up Paints and Upholstery Options".  
 B - 14"-15" Wide Chairs

# Pivot/Slide Tube and 1651 Composite Footplates

NOTE: Heel Loops are not included. See Footrest and Legrest Accessories.

NOTE: For complete pivot/slide tube and footplate assemblies, see Front Riggings Reference Charts



## Pivot/Slide Tube and 1651 Composite Footplates

NOTE: Heel Loops are not included. See Footrest and Legrest Accessories.

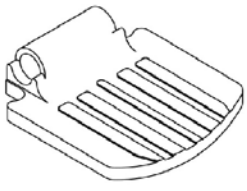
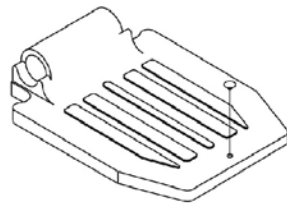
NOTE: For complete pivot/slide tube and footplate assemblies, see Front Riggings Reference Charts

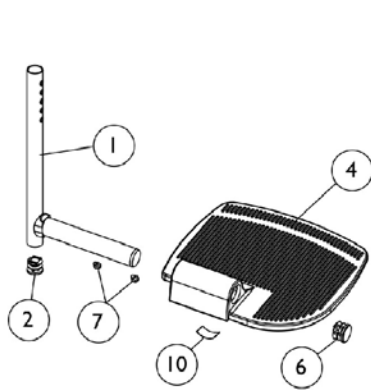
Item Number	Note	Part Number	Description	Quantity Per	
				Package	Assembly
1		1057852	Pivot/Slide Tube, Curved End (9-7/8") (Steel)	1	1
1		1057854	Pivot/Slide Tube, Curved End 2" Longer (Steel)	1	1
1		1058418	Pivot/Slide Tube, Curved End 4" Longer (Steel)	1	1
2		1025457	Spacer, Coved (1/4 x 3/4 x 11/32")	1	2
3		1027097	Plug Button, Black (3/4")	1	1
4		1025195	Locknut (1/4-20)	1	1
5		60285X006	Screw, Socket Head Cap (1/4-20 x 2-1/4")	1	1
6	A	1026879	Footplate, Composite - Small (6" W x 6" L)	1	1
6	B	1026880	Footplate, Composite - Medium (7" W x 6" L)	1	1
6	C	1026881	Footplate, Composite - Large (8" W x 6" L)	1	1
6	D	1026879	Footplate, Composite - Small (6" W x 6" L)	1	1
6	E	1026880	Footplate, Composite - Medium (7" W x 6" L)	1	1
6	F	1026881	Footplate, Composite - Large (8" W x 6" L)	1	1
NOTE: A - 12"-14" Wide B - 15"-16" Wide C - 17" and Wider D - 16"-17" Wide 70 ST TAPER E - 18"-19" Wide 70 ST TAPER F - 20" Wide 70 ST TAPER					

# Pivot/Slide Tube and 1650, 1350 Aluminum Footplates

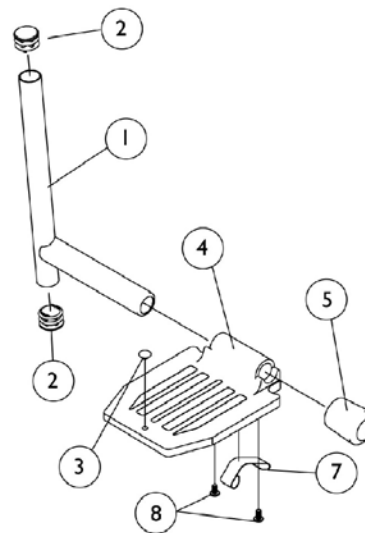
NOTE: Heel Loops are not included. See Footrest and Legrest Accessories

NOTE: For complete pivot/slide tube and footplate assemblies, see Front Riggings Reference Charts.

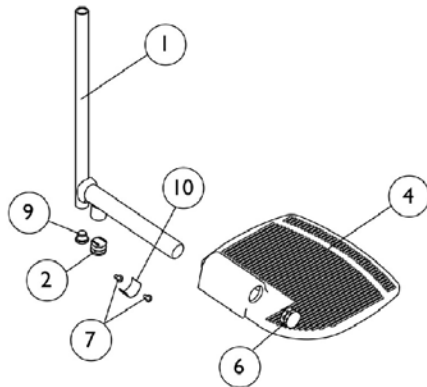
	
<p align="center"><b>12"-15" Wide 1650 Standard Aluminum</b></p>	<p align="center"><b>16" W and Wider 1650 Standard Aluminum</b></p>



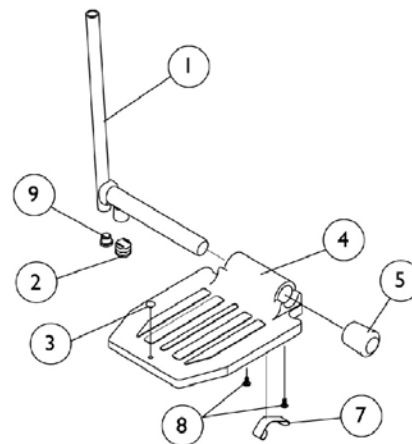
**For AT5544, 70 NHD, PHW93**



**For PH93M2 Footrest**



**For PHAL4A Legrest**



**For PHAL4A Legrest**

# Pivot/Slide Tube and 1650, 1350 Aluminum Footplates

NOTE: Heel Loops are not included. See Footrest and Legrest Accessories

NOTE: For complete pivot/slide tube and footplate assemblies, see Front Riggings Reference Charts.

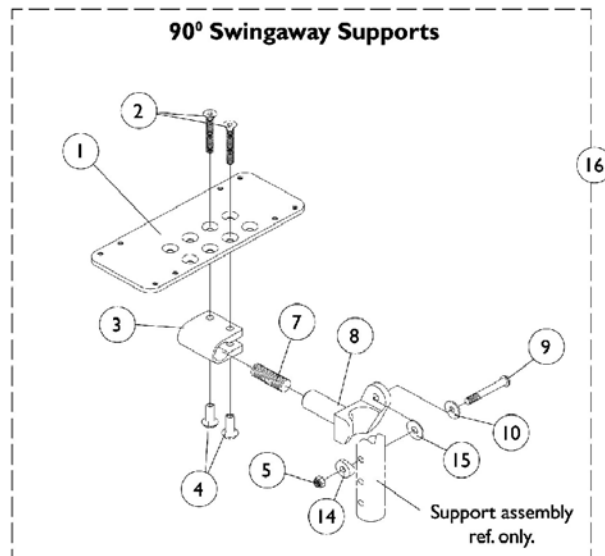
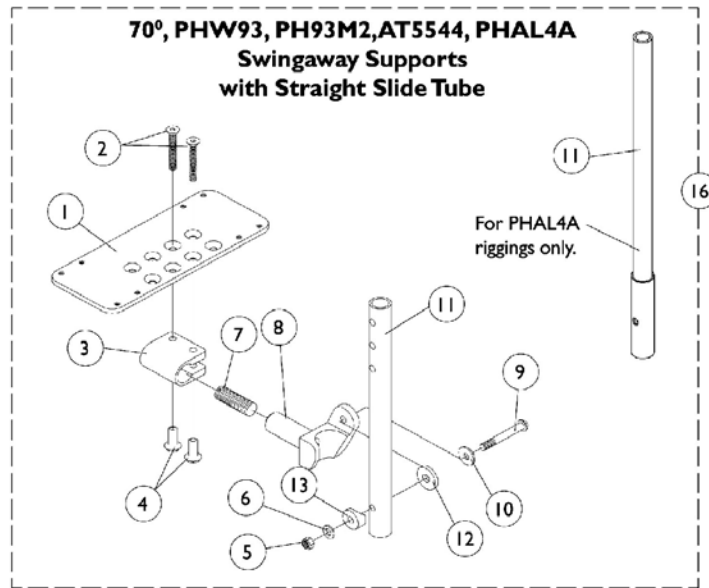
Item Number	Note	Part Number	Description	Quantity Per	
				Package	Assembly
1	A	1048834	Pivot/Slide Tube with Plug Button	1	1
1	A	1098906	Pivot/Slide Tube with Plug Button - 2" Longer	1	1
1	A	1086482	Pivot/Slide Tube with Plug Button - 4" Longer	1	1
1	B	1041526	Pivot/Slide Tube with Plug Button (Steel)	1	1
1	C	1041527	Pivot/Slide Tube with Plug Button (Black)	1	1
2		1027097	Plug Button, Black (3/4")	1	1
3		1070168	Push Plug, Footplate	1	1
4	D	44200X032	Footplate, Aluminum - Extra Small (5-3/4" W x 6" L)	1	1
4	E	44200X059	Footplate, Aluminum - Small (6-3/4" W x 6" L)	1	1
4	F	44200X027	Footplate, Aluminum - Medium (7-3/4" W x 6" L)	1	1
4		44200X025	Footplate, Aluminum - Extra Large (8" W x 8-1/2" L) - Right	1	1
4		44200X026	Footplate, Aluminum - Extra Large (8" W x 8-1/2" L) - Left	1	1
5		1016346	Cap, Tube End (7/8")	1	1
6		1027095	Plug Button, Black (7/8")	1	1
7		1006981	Spring, Leaf	1	2
8		40120X001	Screw, Phillips Pan Head (#8-32 x 3/8")	1	2
9		1018133	Plug Button, Black (5/8")	1	1
10		1036123	Spring, Leaf	1	1

NOTE: A - Extra Large footplate for AT5544, 70 NHD, PHW93,  
 B - Standard Aluminum and Extra Large footplate for PHAL4A  
 C - Standard Aluminum footplate for PH93M2  
 D - For 12"-13" wide seats  
 E - For 14"-15" wide seats  
 F - For 16" and wider seats

# AT5543 Adjustable Angle Footplates

## 90°, 70°, PHW93, AT5544, PH93M2, PHAL4A Swingaway Supports

NOTE: Heel loops are not included. See footrest and legrest accessories.





## AT5543 Adjustable Angle Footplates

### 90°, 70°, PHW93, AT5544, PH93M2, PHAL4A Swingaway Supports

NOTE: Heel loops are not included. See footrest and legrest accessories.

Item Number	Note	Part Number	Description	Quantity Per	
				Package	Assembly
1	B	1060426	Footplate, Adjustable Angle - Medium (4-1/4" W x 8" L)	1	1
1	C	1060427	Footplate, Adjustable Angle - Large (5-1/4" W x 8" L)	1	1
1	D	1062569	Footplate, Adjustable Angle - X-Large (6-1/4" W x 8" L)	1	1
2		1029545	Screw, Socket Head Cap (1/4-20 x 3/4")	1	2
3		1058517	Clamp, Footplate	1	1
4		1082686	Nut, Hex Head (1/4-20 x 11/16")	1	2
5		1025736	Locknut (1/4-20)	1	1
6		1026907	Washer (1/4 x 1/2 x 1/16")	1	1
7		1048816	Screw, Nylon Adjustment (1/2-13 x 7/8")	1	1
8		1052102	Hinge, Footplate - Right	1	1
8		1052103	Hinge, Footplate - Left	1	1
9		1022831	Screw, Socket Button Head (1/4-20 x 1-7/8")	1	1
10		1026900	Washer (1/4 x 23/32 x 1/16")	1	1
11		1057855	Pivot/Slide Tube, Straight (9-7/8" Long - Steel)	1	1
11		1057856	Pivot/Slide Tube, Straight (11-7/8" Long - Steel)	1	1
11	A	1091745	Pivot/Slide Tube, Straight (13-7/8" Long - Steel)	1	1
11	E	1120379	Pivot/Slide Tube, Straight (9-7/8" Long - Alum.)	1	1
12		1016301	Washer, Nylon (5/16 x 7/8 x 1/8")	1	1
13		1025457	Spacer, Coved (1/4 x 3/4 x 11/32")	1	1
14		1026099	Spacer, Coved (1/4 x 11/16 x 1/2")	1	1
15		1036435	Washer, Nylon (1/4 x 7/8 x 1/32")	1	1
16		See Chart	Item #16 Pivot/ Slide Tube with Footplate Assemblies	1	1
NOTE: A - For PHAL4A only B - For 12-13" wide chairs C - For 14-15" wide chairs D - For 16" and wider chairs E - For PH93M2 only					

## AT5543 Adjustable Angle Footplates

### 90°, 70°, PHW93, AT5544, PH93M2, PHAL4A Swingaway Supports

NOTE: Heel loops are not included. See footrest and legrest accessories.

#### Item #16 Pivot/ Slide Tube with Footplate Assemblies

Rigging Type	Side	12-13" W Medium Footplate	14-15" W Large Footplate	16" and Wider X- Large Footplate
90 Deg.	Right	1060436	1060438	1062570
	Left	1060437	1060439	1062571
70, PHW93, AT5544	Right	1060442	1060444	1062756
	Left	1060443	1060445	1062757
70, PHW93, AT5544 2" Longer Slide Tube	Right	N/A	1062758	1062760
	Left	N/A	1062759	1062761
PH93M2	Right	1060430	1060432	1062572
	Left	1060431	1060433	1062573
PHAL4A	Right	N/A	1091775	1091777
	Left	N/A	1091776	1091778

## Footrest and Legrest Accessories

**NOTE: Heel loops for Power Articulating Legrest located on Power Articulating Legrest page.**

Footplate Type	Chair Width	Heel Loop Single #	Heel Loop Pair #	Heel Loop w/ Ankle Strap Single # Rt.	Heel Loop w/ Ankle Strap Single # Lt.	Heel Loop w/ Ankle Strap Pair #	Attaching Hardware Pair #
Composite Small (1651)	12-14" W or 15-17" W Tapered	1028412	1035912	1035908	1035909	1035906	1035931
Composite Medium (1651)	15-16" W or 18-19" W Tapered	1017621	1035917	1035919	1035920	1035918	1035931
Composite Large (1651)	17-20" W or 20" W Tapered	1017621	1035917	1035932	1035933	1035930	1035931
Standard Aluminum (1650)	14-15" W	1025234	1035905	1035908	1035909	1035906	1035907
Standard Aluminum (1650)	16-20" W	1017621	1035917	1035919	1035920	1035918	1035907
X-Large Aluminum (1350)	16-20" W	1017621	1035917	1035919	1035920	1035918	1055241

### Attaching Hardware Part Numbers (Less AT5543)

Footplate Type	Part Number	Part Number Consists of
Composite (1651)	1035931	2 each Screw, PPH (1/4-20 x 2-1/4") 2 each Spacer (1/4 x 11/32 x 1-3/4") 2 each Locknut (1/4-20)
Standard Aluminum (1650)	1035907	2 each Screw, PPH (1/4-20 x 2-1/2") 2 each Spacer (1/4 x 11/32 x 1-3/4") 2 each Locknut (1/4-20)
X-Large Aluminum (1350)	1055241	2 each Screw, PPH (1/4-20 x 2-1/4") 2 each Spacer (1/4 x 11/32 x 1-3/4") 2 each Locknut (1/4-20)

# Footrest and Legrest Accessories

NOTE: Heel loops for Power Articulating Legrest located on Power Articulating Legrest page.

---

# Footrest and Legrest Accessories

NOTE: Heel loops for Power Articulating Legrest located on Power Articulating Legrest page.

## Heel Loops, Heel Loops w/ Ankle Straps and Hardware (For AT5543)

Footplate Type	Part Number	Part Number Consists of
AT5543 Adj. Angle	1038245 Heel Loops w/ Hardware Adjustable Angle Footplate (Pair)	2 each Heel Loops 4 each Screw, SHC (#10-32 x 1-1/2") 4 each Spacer (1/4 x 5/16 x 1-3/32") 4 each Washer (3/16 x 7/16 x 1/16")
AT5543 Adj. Angle	1038246 Heel Loops w/ Ankle Straps & Hardware Adjustable Angle Footplate (Pair)	2 each Heel Loops w/ Ankle Straps 4 each Screw, SHC (#10-32 x 1-1/2") 4 each Spacer (1/4 x 5/16 x 1-3/32") 4 each Washer (3/16 x 7/16 x 1/16")

## Toe Loops (1345) and Attaching Hardware

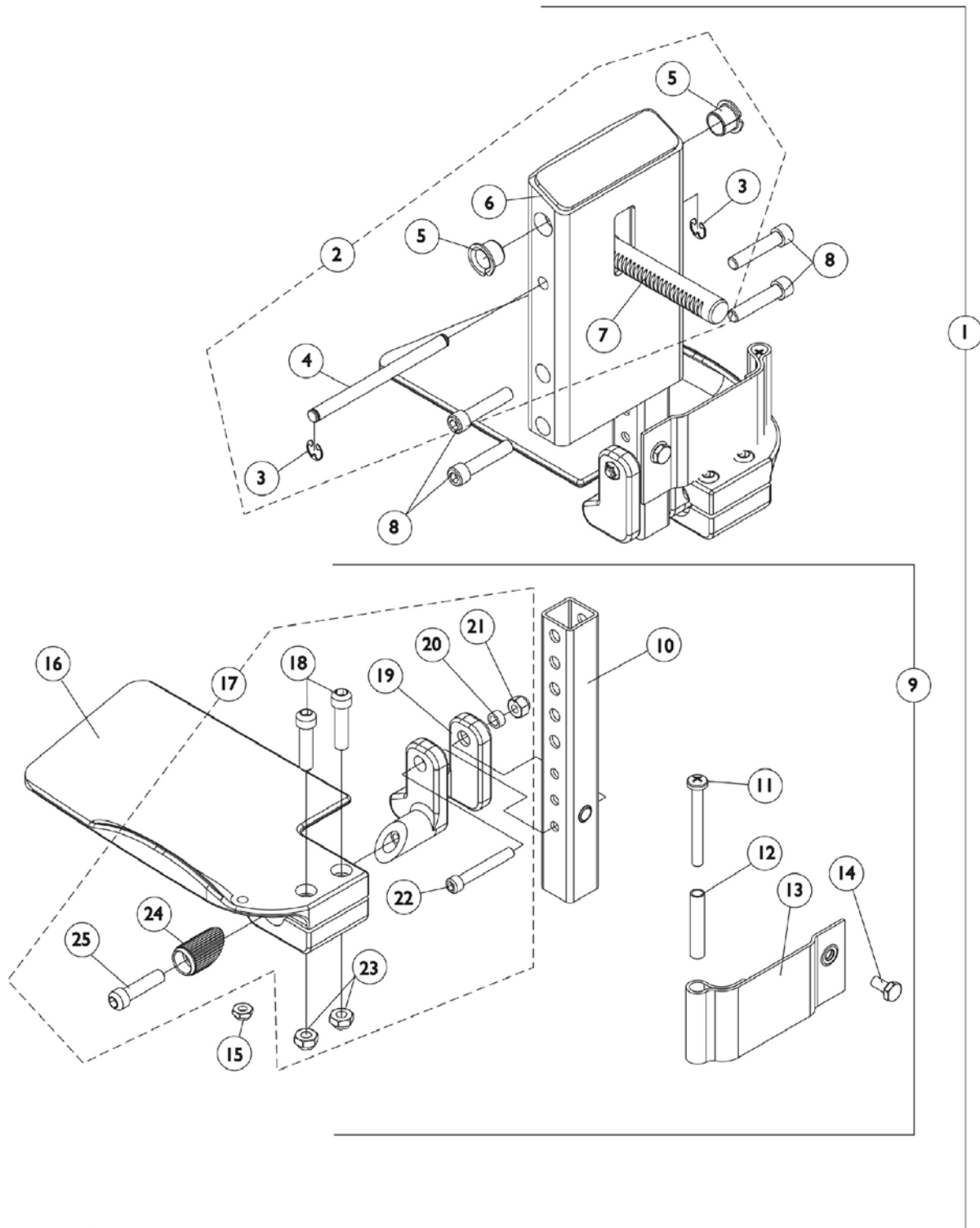
Footplate Type	Toe Loop w/o Hardware Single #	Toe Loop w/o Hardware Pair #	Attaching Hardware Part Number	Attaching Hardware Consists of
1651, 1650, 1350, Footplates	04572X025	1037087	1037089	4 each Screw, PPH (#10-32 x 7/8") 4 each Washer (1/4 x 3/4 x 3/32") 4 each Locknut (#10-32)
AT5543 Footplates	04572X025	1037087	1104749	4 each Screw, PPH (#10-32 x 1/2") 4 each Washer (1/4 x 3/4 x 3/32")

## Footrest and Legrest Accessories

NOTE: Heel loops for Power Articulating Legrest located on Power Articulating Legrest page.

Item Number	Note	Part Number	Description	Quantity Per	
				Package	Assembly
	A	1032243	Calf Strap w/ Hook and Loop (36" Long)	1	1
	A,B	1032214	H-Strap, 24" Long	1	1
	C,A	1032215	H-Strap, 26" Long	1	1
	D,A	1032216	H-Strap, 31" Long	1	1
	A	1026987	Impact Guard, 8" Long	1	2
	A	See Chart	Heel Loops and Hardware (Less AT5543)	1	1
	A	See Chart	Attaching Hardware Part Numbers	1	1
	A	See Chart	Heel Loops, Heel Loops w/ Ankle Straps and Hardware AT5543	1	1
	A	See Chart	Toe Loops and Hardware	1	1
NOTE: A - Not Shown B - 12-14" wide seats C - 15-16" wide seats D - 17" and wider seats					

# Front Rigging - Center Mount Rigging CTMT-FJ (CTMT-FJ = 9-1/4" - 12" Range)



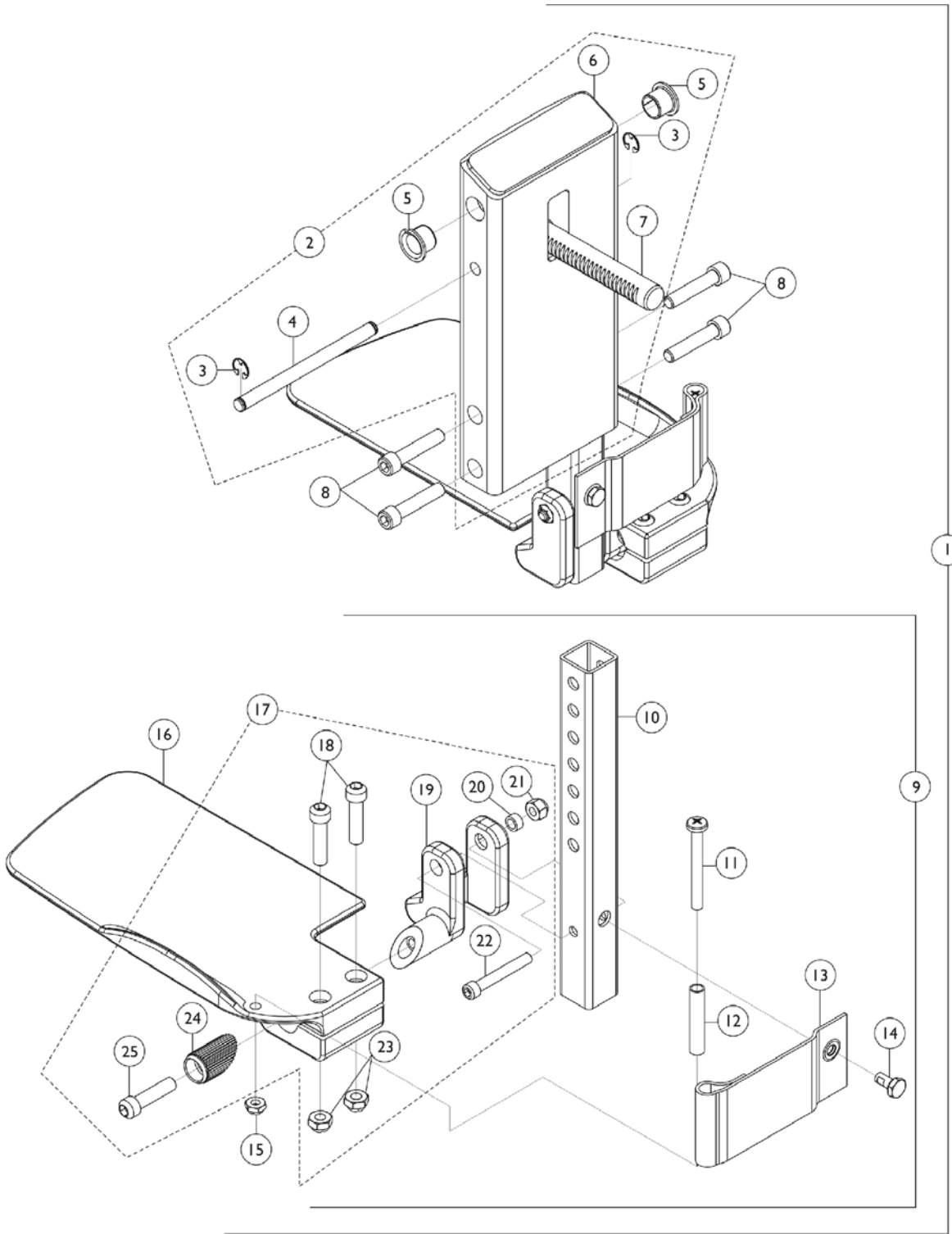
## Front Rigging - Center Mount Rigging CTMT-FJ (CTMT-FJ = 9-1/4" - 12" Range)

Item Number	Note	Part Number	Description	Quantity Per	
				Package	Assembly
1	A	1121990	Center Mount Rigging Assembly, Junior (CTMTJ/CTMT-FJ) ASBA/ADJASBA (9-1/4 - 12" Range)	1	1
2	B	1123021	Legrest Support Assembly, Center Mount, Junior, Black	1	1
3		1113376	Ring, Retainer (1/4 x 1/2 x 1/64")	1	2
4		1113373	Pin, Angle Adjustable A.S.B.A.	1	1
5		1110669	Bearing, Flanged (1/2 x 13/16 x 1/2")	1	2
6		1121984	Support, Junior Legrest (CTMTJ/CTMT-FJ)	1	1
7		1113372	Rack, Center Mount Rigging Angle Adjustable	1	1
8		1021344	Screw, Socket Head Cap (5/16-18 x 1-1/2")	1	4
9	C	1123042	Extension Tube and Footplate Assembly w/ Heel Loop, Junior - Right	1	1
9	C	1123043	Extension Tube and Footplate Assembly w/ Heel Loop, Junior - Left	1	1
10		1123044	Extension Tube, Footrest Short (CTMTJ/CTMT-FJ = 9-1/4" - 12" Range) (CTMT/CTMT-F = 12-1/4" - 15" Range) (PCTMT = 10" - 13" Range)	1	1
11		1021421	Screw, Phillips Pan Head (1/4-20 x 2-1/4")	1	2
12		1006477	Spacer (1/4 x 11/32 x 1-3/4")	1	2
13		1121996	Heel Loop, Center Mount Rigging	1	2
14		1078214	Screw, Hex Head Cap w/ Patch (1/4-20 x 1/2")	1	2
15		1025195	Locknut (1/4-20)	1	2
16		1121988	Footplate CTMTJ/CTMT-FJ (5-1/4" W x 8-13/16" L) - Right	1	1
16		1121989	Footplate CTMTJ/CTMT-FJ (5-1/4" W x 8-13/16" L) - Left	1	1
17	D	1120345	Center Mount Rigging Footplate Mounting Hardware - Right	1	1
17	D	1121123	Center Mount Rigging Footplate Mounting Hardware - Left	1	1
18		1021343	Screw, Socket Head Cap (5/16-18 x 1-1/4")	1	2
19		1113384	Hinge, Adjustable Angle - Right	1	1
19		1113385	Hinge, Adjustable Angle - Left	1	1
20		1047449	Spacer (1/4 x 3/8 x 3/16")	1	1
21		1065362	Locknut (1/4-28)	1	1
22		1096810	Screw, Socket Head (1/4-28 x 1-3/4")	1	1
23		1108122	Locknut (5/16-18)	1	2
24		1113530	Hinge Attachment	1	1
25		1021343	Screw, Socket Head Cap (5/16-18 x 1-1/4")	1	1
NOTE: A - Includes items 2, 8 & 9 B - Includes items 3-7 C - Includes items 10-16 & 17 D - Includes items 18-25					



# Front Rigging - Center Mount Rigging (CTMT-F)

(CTMT-F = 12-1/4" - 15" Range)



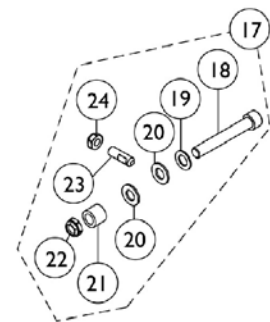
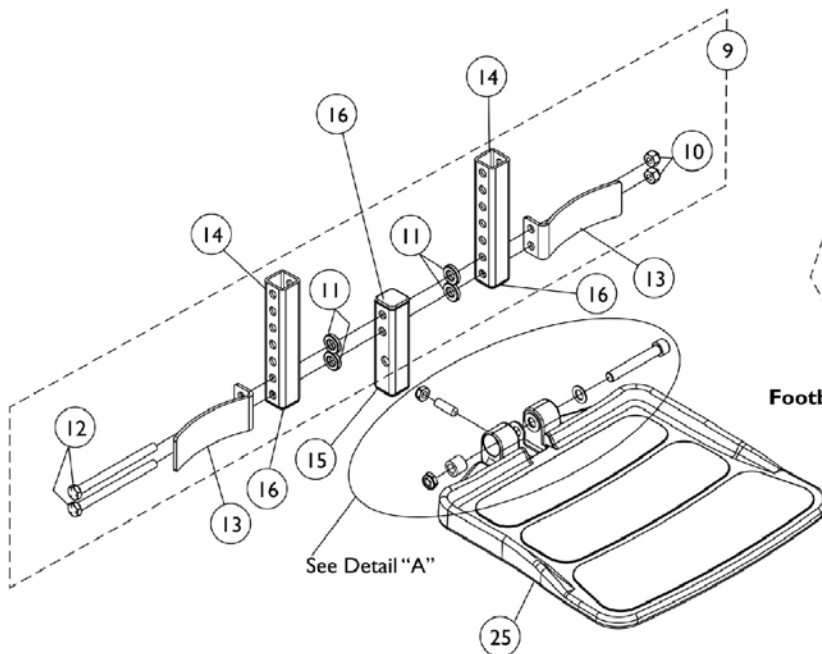
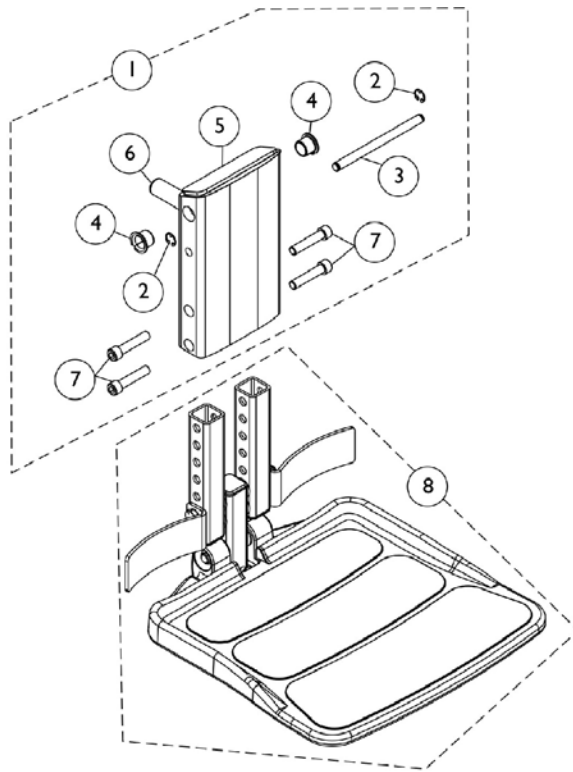
## Front Rigging - Center Mount Rigging (CTMT-F) (CTMT-F = 12-1/4" - 15" Range)

Item Number	Note	Part Number	Description	Quantity Per	
				Package	Assembly
1	A	1117262	Center Mount Rigging Assembly (CTMT) (CTMT-F), ASBA/ADJASBA (12-1/4 - 15" Range)	1	1
2	B	1120346	Legrest Support Assembly, Center Mount, Black	1	1
3		1113376	Ring, Retainer (1/4 x 1/2 x 1/64")	1	2
4		1113373	Pin, Angle Adjustable A.S.B.A.	1	1
5		1110669	Bearing, Flanged (1/2 x 13/16 x 1/2")	1	2
6		1113609	Support, Center Mount Rigging Legrest	1	1
7		1113372	Rack, Center Mount Rigging Angle Adjustable	1	1
8		1021344	Screw, Socket Head Cap (5/16-18 x 1-1/2")	1	4
9	C	1123034	Extension Tube and Footplate Assembly with Heel Loop, Short - Right	1	1
9	C	1123035	Extension Tube and Footplate Assembly with Heel Loop, Short - Left	1	1
10		1123044	Extension Tube, Footrest Short (CTMTJ/CTMT-FJ = 9-1/4" - 12" Range) (CTMT/CTMT-F = 12-1/4" - 15" Range) (PCTMT = 10" - 13" Range)	1	1
11		1021421	Screw, Phillips Pan Head (1/4-20 x 2-1/4")	1	2
12		1006477	Spacer (1/4 x 11/32 x 1-3/4")	1	2
13		1121996	Heel Loop, Center Mount Rigging	1	2
14		1078214	Screw, Hex Head Cap w/ Patch (1/4-20 x 1/2")	1	2
15		1025195	Locknut (1/4-20)	1	2
16		1113606	Footplate, Center Mount Rigging - Right (5-1/4" W x 9-5/8" L)	1	1
16		1113607	Footplate, Center Mount Rigging - Left (5-1/4" W x 9-5/8" L)	1	1
17	D	1120345	Center Mount Rigging Footplate Mounting Hardware - Right	1	1
17	D	1121123	Center Mount Rigging Footplate Mounting Hardware - Left	1	1
18		1021343	Screw, Socket Head Cap (5/16-18 x 1-1/4")	1	2
19		1113384	Hinge, Adjustable Angle - Right	1	1
19		1113385	Hinge, Adjustable Angle - Left	1	1
20		1047449	Spacer (1/4 x 3/8 x 3/16")	1	1
21		1065362	Locknut (1/4-28)	1	1
22		1096810	Screw, Socket Head (1/4-28 x 1-3/4")	1	1
23		1108122	Locknut (5/16-18)	1	2
24		1113530	Hinge Attachment	1	1
25		1021343	Screw, Socket Head Cap (5/16-18 x 1-1/4")	1	1

NOTE: A - Includes items 2, 8 & 9  
B - Includes items 3-7  
C - Includes items 10-16 & 17  
D - Includes items 18-25

# Front Rigging - Center Mount Rigging (CTMT-FJ with CTMTFB One PC Flip-Up Footboard)

(CTMT-FJ = 9-1/4"-12" Range)



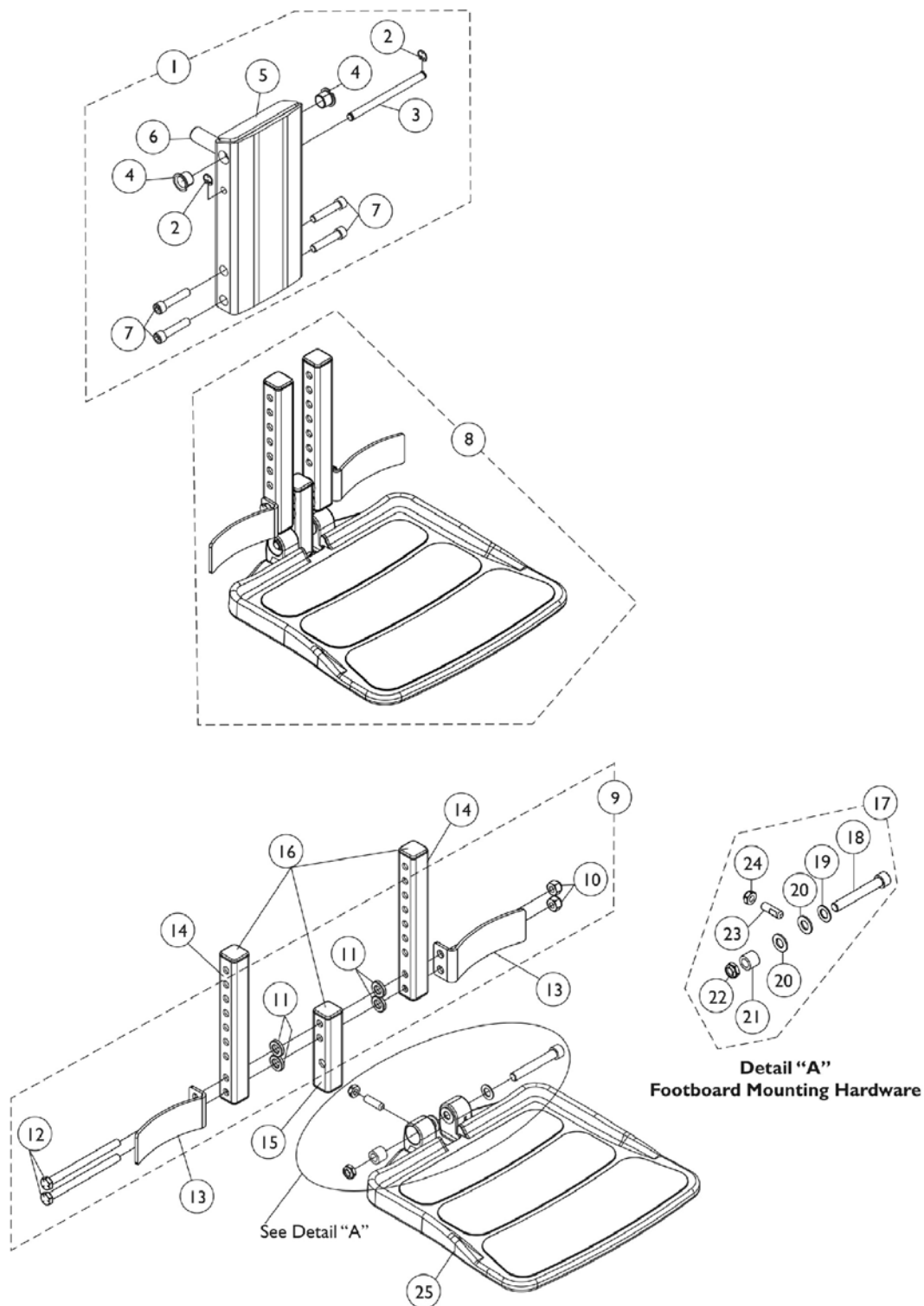
**Detail "A"**  
Footboard Mounting Hardware

## Front Rigging - Center Mount Rigging (CTMT-FJ with CTMTFB One PC Flip-Up Footboard) (CTMT-FJ = 9-1/4"-12" Range)

Item Number	Note	Part Number	Description	Quantity Per	
				Package	Assembly
1	A	1154209	Legrest Support Assembly, Center Mount Rigging	1	1
2			Ring, Retainer (1/4 x 1/2 x 1/64")	1	2
3			Pin, Angle Adjustable A.S.B.A.	1	1
4			Bearing, Flanged (1/2 x 13/16 x 1/2")	1	2
5			Support, Junior Legrest (CTMTJ/CTMT-FJ)	1	1
6			Rack, Center Mount Rigging Angle Adjustable	1	1
7			Screw, Socket Head Cap (5/16-18 x 1-1/2")	1	4
7		1021344	Screw, Socket Head Cap (5/16-18 x 1-1/2")	1	4
8	B	1154208	Footboard Assembly, CTMTFB (For CTMT-FJ 9-1/4"-12" Range)	1	1
9	C	1144608	Kit, Heel Stop and Extension Tube Mounting Hardware	1	1
10			Locknut (5/16-18)	1	2
11			Bushing, Actuator Motor (3/8 x 3/4 x 5/32")	1	4
12			Screw, Hex Head (5/16-18 x 4")	1	2
13		1153789	Bracket, Heel Stop	1	2
14		1154108	Tube, Extension w/ Cap	1	2
15	D	1144607	Tube, Vertical Support w/ Caps	1	1
16		1144609	Package, End Caps (1" Square)	10	1
17	E	1147134	Kit, Footboard Mounting Hardware	1	1
18			Screw, Socket Head (3/8-16 x 2-1/2")	1	1
19			Washer, Flat (3/8 x 11/16 x 1/16")	1	1
20			Washer, Nylon (3/8 x 3/4 x 1/16")	1	2
21			Bushing (3/8 x 5/8 x 1/2")	1	1
22			Locknut, Low Profile (3/8-16)	1	1
23			Screw, Socket Set Flat (5/16-18 x 1")	1	1
24			Locknut (5/16-18)	1	1
25		1114311	Footboard w/ Cover (11-1/4" Wide x 11-1/2" Long)	1	1
NOTE: A - Includes items 2-7 B - Includes items 9, 13, 14, 15, 17 and 25 C - Includes items 10-12 D - Vertical Support Tube includes Tube Caps at both ends E - Includes items 18-24					

# Front Rigging - Center Mount Rigging (CTMT-F with CTMTFB One PC Flip-Up Footboard)

(CTMT-F = 12-1/4" - 15" Range)

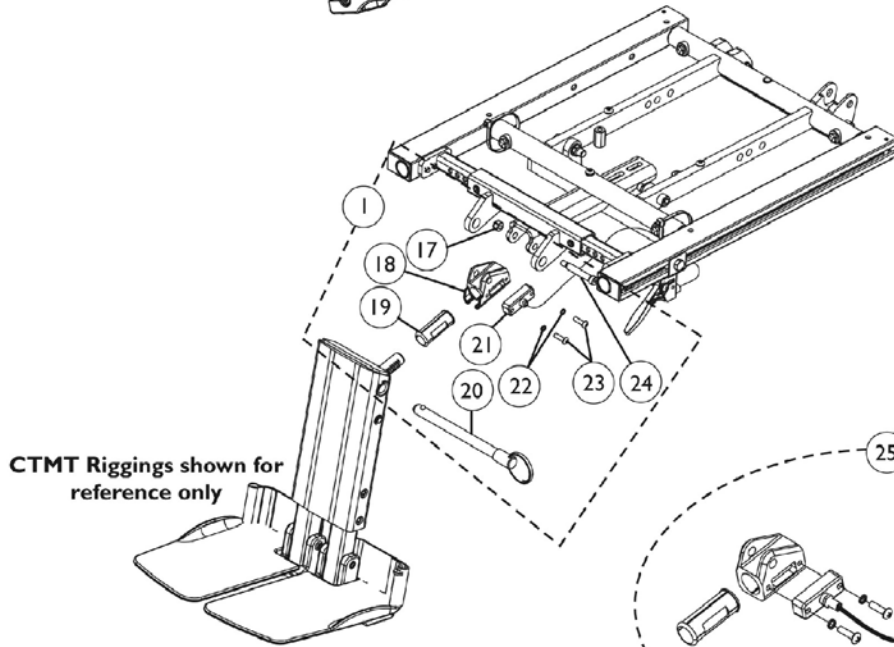
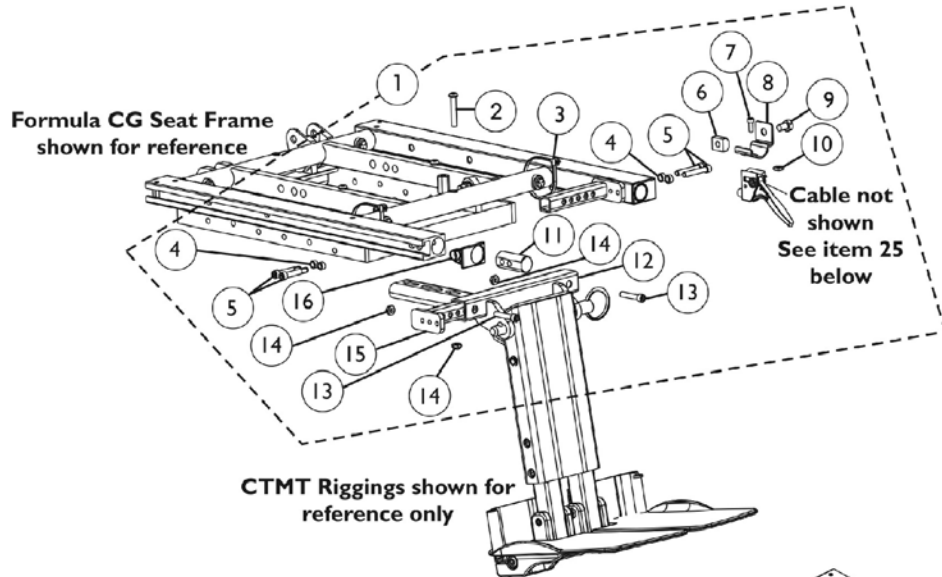


## Front Rigging - Center Mount Rigging (CTMT-F with CTMTFB One PC Flip-Up Footboard) (CTMT-F = 12-1/4" - 15" Range)

Item Number	Note	Part Number	Description	Quantity Per	
				Package	Assembly
1	A	1148725	Legrest Support Assembly, Center Mount Rigging	1	1
2			Ring, Retainer (1/4 x 1/2 x 1/64")	1	2
3			Pin, Angle Adjustable A.S.B.A.	1	1
4			Bearing, Flanged (1/2 x 13/16 x 1/2")	1	2
5			Support, Center Mount Rigging Legrest	1	1
6			Rack, Center Mount Rigging Angle Adjustable	1	1
7			Screw, Socket Head Cap (5/16-18 x 1-1/2")	1	4
7		1021344	Screw, Socket Head Cap (5/16-18 x 1-1/2")	1	4
8	B	1148722	Footboard Assembly, FBCTMT (For CTMT-F 12-1/4" - 15" Range & PCTMT 10"-13" Range)	1	1
9	C	1144608	Kit, Heel Stop and Extension Tube Mounting Hardware	1	1
10			Locknut (5/16-18)	1	2
11			Bushing, Actuator Motor (3/8 x 3/4 x 5/32")	1	4
12			Screw, Hex Head (5/16-18 x 4")	1	2
13		1153789	Bracket, Heel Stop	1	2
14	F	1148711	Tube, Extension - Short (For CTMT-F 12-1/4" - 15" Range & PCTMT 10"-13" Range)	1	2
15	D	1144607	Tube, Vertical Support w/ Caps	1	1
16		1144609	Package, End Caps (1" Square)	10	1
17	E	1147134	Kit, Footboard Mounting Hardware	1	1
18			Screw, Socket Head (3/8-16 x 2-1/2")	1	1
19			Washer, Flat (3/8 x 11/16 x 1/16")	1	1
20			Washer, Nylon (3/8 x 3/4 x 1/16")	1	2
21			Bushing (3/8 x 5/8 x 1/2")	1	1
22			Locknut, Low Profile (3/8-16)	1	1
23			Screw, Socket Set Flat (5/16-18 x 1")	1	1
24			Locknut (5/16-18)	1	1
25		1114311	Footboard w/ Cover (11-1/4" Wide x 11-1/2" Long)	1	1

NOTE: A - Includes items 2-7  
B - Includes items 9, 13, 14, 15, 17 and 25  
C - Includes items 10-12  
D - Extension Tube and Vertical Support Tube includes Tube Caps at both ends  
E - Includes items 18-24  
F - End Caps are no longer used or required for the extension tube as of 4/9/08

# Center Mount Rigging Mounting Hardware (12"-16" Wide) - TDX SPREE



## Center Mount Rigging Mounting Hardware (12"-16" Wide) - TDX SPREE

Item Number	Note	Part Number	Description	Quantity Per	
				Package	Assembly
1	A	1147106	Kit, CTMT-FJ Center Mount Riggings Mounting Hardware	1	1
2			Screw, Socket Button Head (1/4-20 x 1-1/2")	1	1
3			Cable Tie (11-1/2" Long)	1	2
4			Spacer (1/4 x 3/8 x 3/16")	1	4
5			Screw, Socket Head Cap w/ Patch (1/4-20 x 1-1/2")	1	4
6			T-Nut (5/16-18)	1	1
7			Screw, Socket Head (#10-32 x 1/2")	1	1
8			Bracket, Release Handle Mounting	1	1
9			Screw, Hex Head Cap w/ Patch (5/16-18 x 1/2")	1	1
10			Nut, Square (#10-32)	1	1
11			Plug, Support	1	2
12			Support, Center Mount Rigging (12"-16" Deep)	1	1
13			Screw, Socket Head (1/4-20 x 1-1/4")	1	2
14			Locknut (1/4-20)	1	3
15			Support, Seat Pan (12"-16" Wide)	1	2
16			Cap, Side Rail End	1	2
17			Locknut (1/4-20)	1	1
18			Housing, Ratchet	1	1
19			Bearing, Glide	1	2
20			Pin, Quick Release (5" Long)	1	1
21			Cable/Brake Assembly	1	1
22			Washer, Lock (3/16 x 5/16 x 1/32")	1	2
23			Screw, Phillips Pan Head (#10-32 x 11/16")	1	2
24			Screw, Socket Head Shoulder (5/16 x 1-5/8")	1	1
12		1147105	Support, Center Mount Rigging (12"-16" Deep)	1	1
18		1113389	Housing, Ratchet	1	1
19		1113383	Bearing, Glide	1	2
21		1113622	Cable/Brake Assembly	1	1
22		1028527	Washer, Lock (3/16 x 5/16 x 1/32")	1	2
23		40163X008	Screw, Phillips Pan Head (#10-32 x 11/16")	1	2
25	B	1121079	Cable/Brake Assembly with Ratchet Housing and Glide Bearing	1	2
	C	1145733	Instruction Sheet, Center Mount Rigging For Formula CG	1	1

NOTE: A - Includes items 2-23  
B - Includes items 18-19 & 21-23  
C - Not Shown



# Center Mount Rigging Mounting Hardware (16"-20" Wide) - TDX SC

## Center Mount Rigging Mounting Hardware (16"-20" Wide) - TDX SC

Item Number	Note	Part Number	Description	Quantity Per	
				Package	Assembly
1	A	1147095	Kit, CTMT-F Center Mount Riggings Mounting Hardware (16"-19" Deep)	1	1
2			Screw, Socket Button Head (1/4-20 x 1-1/2")	1	1
3			Cable Tie (11-1/2" Long)	1	2
4			Spacer (1/4 x 3/8 x 3/16")	1	4
5			Screw, Socket Head Cap w/ Patch (1/4-20 x 1-1/2")	1	4
6			T-Nut (5/16-18)	1	1
7			Screw, Socket Head (#10-32 x 1/2")	1	1
8			Bracket, Release Handle Mounting	1	1
9			Screw, Hex Head Cap w/ Patch (5/16-18 x 1/2")	1	1
10			Nut, Square (#10-32)	1	1
11			Plug, Support	1	2
12			Support, Center Mount Rigging (16"-19" Deep)	1	1
13			Screw, Socket Head (1/4-20 x 1-1/4")	1	2
14			Locknut (1/4-20)	1	3
15			Support, Seat Pan (16-24" Wide)	1	2
16			Cap, Side Rail End	1	2
17			Locknut (1/4-20)	1	1
18			Housing, Ratchet	1	1
19			Bearing, Glide	1	2
20			Pin, Quick Release (5" Long)	1	1
21			Cable/Brake Assembly	1	1
22			Washer, Lock (3/16 x 5/16 x 1/32")	1	2
23			Screw, Phillips Pan Head (#10-32 x 11/16")	1	2
24			Screw, Socket Head Shoulder (5/16 x 1-5/8")	1	1
12		1146336	Support, Center Mount Rigging (16"-19" Deep)	1	1
18		1113389	Housing, Ratchet	1	1
19		1113383	Bearing, Glide	1	2
21		1113622	Cable/Brake Assembly	1	1
22		1028527	Washer, Lock (3/16 x 5/16 x 1/32")	1	2
23		40163X008	Screw, Phillips Pan Head (#10-32 x 11/16")	1	2
25	B	1121079	Cable/Brake Assembly with Ratchet Housing and Glide Bearing	1	2
1	A	1147096	Kit, CTMT-F Center Mount Riggings Mounting Hardware (19"-22" Deep)	1	1
2			Screw, Socket Button Head (1/4-20 x 1-1/2")	1	1
3			Cable Tie (11-1/2" Long)	1	2
4			Spacer (1/4 x 3/8 x 3/16")	1	4
5			Screw, Socket Head Cap w/ Patch (1/4-20 x 1-1/2")	1	4
6			T-Nut (5/16-18)	1	1
7			Screw, Socket Head (#10-32 x 1/2")	1	1
8			Bracket, Release Handle Mounting	1	1
9			Screw, Hex Head Cap w/ Patch (5/16-18 x 1/2")	1	1
10			Nut, Square (#10-32)	1	1

## Center Mount Rigging Mounting Hardware (16"-20" Wide) - TDX SC

Item Number	Note	Part Number	Description	Quantity Per	
				Package	Assembly
11			Plug, Support	1	2
12			Support, Center Mount Rigging (19"-22" Deep)	1	1
13			Screw, Socket Head (1/4-20 x 1-1/4")	1	2
14			Locknut (1/4-20)	1	3
15			Support, Seat Pan (16-24" Wide)	1	2
16			Cap, Side Rail End	1	2
17			Locknut (1/4-20)	1	1
18			Housing, Ratchet	1	1
19			Bearing, Glide	1	2
20			Pin, Quick Release (5" Long)	1	1
21			Cable/Brake Assembly	1	1
22			Washer, Lock (3/16 x 5/16 x 1/32")	1	2
23			Screw, Phillips Pan Head (#10-32 x 11/16")	1	2
24			Screw, Socket Head Shoulder (5/16 x 1-5/8")	1	1
12		1147091	Support, Center Mount Rigging (19"-22" Deep)	1	1
18		1113389	Housing, Ratchet	1	1
19		1113383	Bearing, Glide	1	2
21		1113622	Cable/Brake Assembly	1	1
22		1028527	Washer, Lock (3/16 x 5/16 x 1/32")	1	2
23		40163X008	Screw, Phillips Pan Head (#10-32 x 11/16")	1	2
25	B	1121079	Cable/Brake Assembly with Ratchet Housing and Glide Bearing	1	1
	C	1145733	Instruction Sheet, Center Mount Rigging For Formula CG	1	1
NOTE: A - Includes items 2-23 B - Includes items 18-19 & 21-23 C - Not Shown					

# **Power Elevating Legrest - Articulating (MPCTMT/MPCTMT-L) TDX SC**

**NOTE: A complete set of Power Elevating Legrest-Articulating must be ordered thru Invacare's Equipment Configurator. The following items must be ordered separately when requesting a complete set of Power Elevating Legrest-Articulating for the first time:**

**For Contoura Seating Systems, shorter seat rail part #'s (1142951 15" long 2ea.) or (1142952 18" long 2 ea.) depending on seat depth. This prevents legrest from being positioned to far forward.**

**NOTE: For individual replacement parts for the MPCTMT/MPCTMT-L Power Legrest-Articulating, call Motion Concepts at 1-888-433-6818.**

# Power Elevating Legrest - Articulating (MPCTMT/MPCTMT-L) TDX SC

**NOTE: A complete set of Power Elevating Legrest-Articulating must be ordered thru Invacare's Equipment Configurator. The following items must be ordered separately when requesting a complete set of Power Elevating Legrest-Articulating for the first time:**

**For Contoura Seating Systems, shorter seat rail part #'s (1142951 15" long 2ea.) or (1142952 18" long 2 ea.) depending on seat depth. This prevents legrest from being positioned to far forward.**

**NOTE: For individual replacement parts for the MPCTMT/MPCTMT-L Power Legrest-Articulating, call Motion Concepts at 1-888-433-6818.**

Item Number	Note	Part Number	Description	Quantity Per	
				Package	Assembly
1	A	1147045	Kit, Power Elevating Legrest-Articulating Mtg. Hdwr. (MPCTMT/MPCTMT-L)	1	1
2			Screw, Socket Head Cap w/ Patch (1/4-20 x 1-1/2")	1	4
3			Spacer (1/4 x 3/8 x 3/16")	1	4
4			Cap, Side Rail End	1	2
5			Block, Threaded	1	2
6		1148708	Harness, Power Elevating Legrest-Articulating (MPCTMT/MPCTMT-L)	1	1
7	D	1153867	Harness, Tilt Actuator/MPCTMT Power Legrest and Sensor	1	1
	B,B1,C	1142951	Rail, Seat Frame (15" Long) (For 12-19" Deep Conventional)	1	1
	B,B1,C	1142952	Rail, Seat Frame (18" Long) (For 19-22" Deep Conventional)	1	1

NOTE: A - Includes items 2-5  
 B - Not Shown. When a customer is ordering Power Elevating Legrest for the first time and a Contoura Seating System is used, the shorter seat rails used for Conventional Backs must be ordered also.  
 B1 - This will prevent the legrest from being positioned to far forward  
 C - Not Shown  
 D - The Tilt Actuator/MPCTMT Power Legrest and Sensor Harness is used for Formula CGT on TDX SC models only

# Power Articulating Legrest ELRPW/ELRPW22 TDX SC

## Power Articulating Legrest ELRPW/ELRPW22 TDX SC

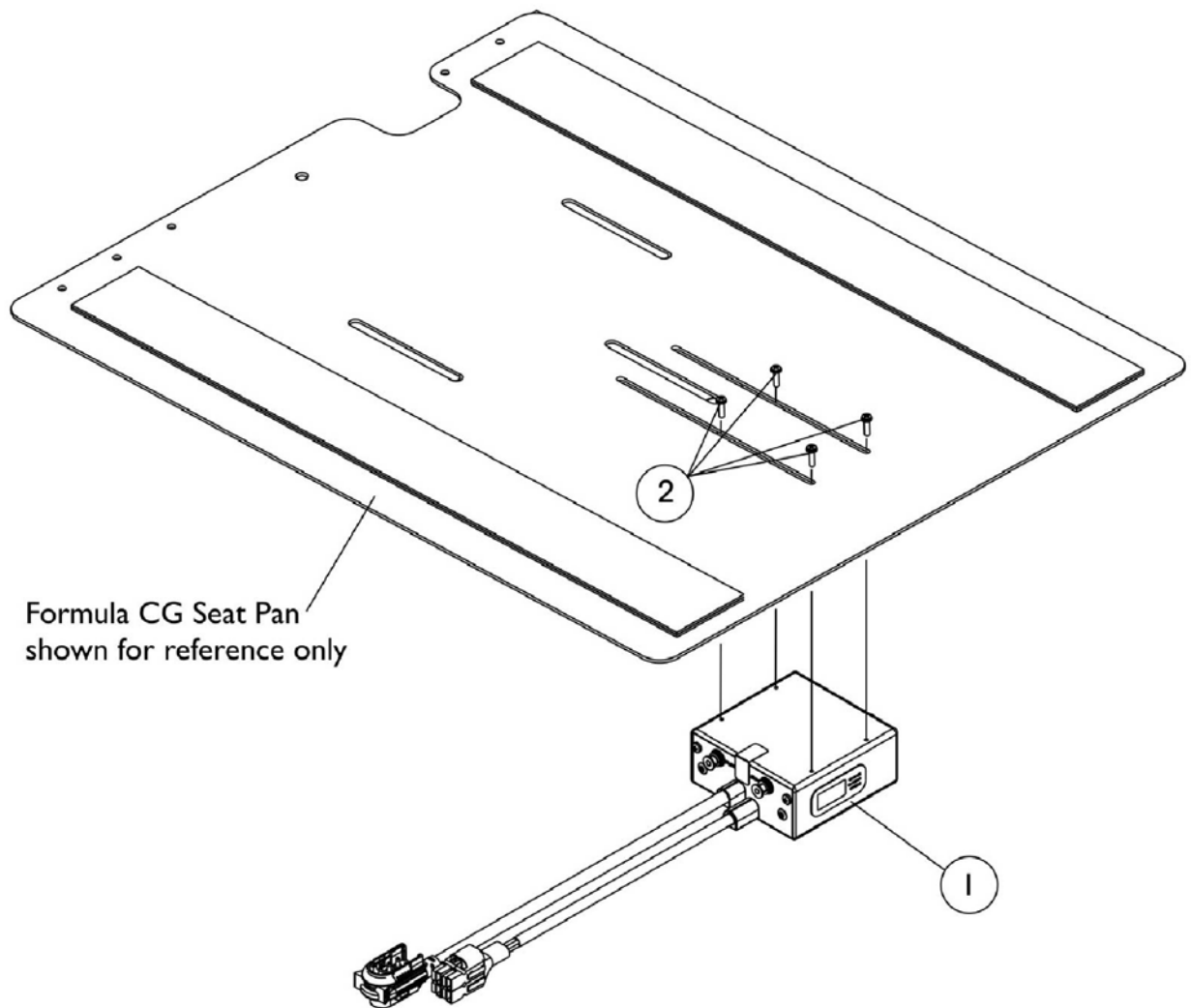
Item Number	Note	Part Number	Description	Quantity Per	
				Package	Assembly
1	A	1125436	Legrest Support Assembly, Sector, Black - Right	1	1
1	A	1125437	Legrest Support Assembly, Sector, Black - Left	1	1
2		1025454	Latch Housing - Right	1	1
2		1025455	Latch Housing - Left	1	1
3		1017423	Screw, Slotted Hex Washer Head (#10-32 x 1/2")	1	1
4		1025451	Screw, Slotted Hex Washer Head (#10-32 x 5/8")	1	2
5		1079203	Decal, Warning Pinch Point	1	1
6		1099685	Plug, Pivot	1	1
7		1091870	Screw, Socket Button Head w/ Patch (1/4-20 x 3/4")	1	1
8		1125433	Cushion Pad - Right	1	1
8		1125434	Cushion Pad - Left	1	1
9		1025351	Screw, Socket Head Shoulder (5/16 x 1-1/4")	1	2
10		1025736	Locknut (1/4-20)	1	5
11		1025704	Washer, Flat (5/16 x 5/8 x 1/16")	1	1
12		1099671	Bearing, Flange (1/4 x 5/16" Long)	1	2
13		1026907	Washer (1/4 x 1/2 x 1/16")	1	12
14		1012371	Washer, Nylon (3/8 x 7/8 x 1/16")	1	1
15		1125424	Plate, Pivot	1	1
16		1110746	Cover, Legrest Support - Right	1	1
16		1110747	Cover, Legrest Support - Left	1	1
17		1009837	Screw, Socket Button Head (1/4-20 x 1")	1	1
18		1091870	Screw, Socket Button Head w/ Patch (1/4-20 x 3/4")	1	1
19		1101883	Glide	1	2
20		0175600	Spacer, Coved (5/16 x 3/4 x 3/8")	1	2
21		1110741	Extrusion, Internal Slide (14-1/4" Long)	1	1
22		1099702	Glide, Internal	1	1
23		1018846	Screw, Socket Button Head (#10-24 x 3/4")	1	1
24	B	1110972	Actuator Bracket Assembly	1	1
25		1082699	T-Nut (1/4-20)	1	11
26		1100023	Screw, Button Head w/Patch (1/4-20 x 1/2")	1	10
27		1087417	Screw, Socket Head Shoulder (5/16 x 1")	1	1
28		1110724	Motor, Actuator - Right	1	1
28		1110725	Motor, Actuator - Left	1	1
29	C	8881110977	Calf Pad Assembly with Mounting Hardware - Right	1	1
29	C	8881111715	Calf Pad Assembly with Mounting Hardware - Left	1	1
30		88804529X003	Pad, Legrest Vinyl - Right	1	1
30		88804529X004	Pad, Legrest Vinyl - Left	1	1
	D,F	1110748	Hardware, Calf Pad Bracket	1	1
31		1026033	Washer, Nylon (1/4 x 1/2 x 1/16")	1	4
32		1099700	Bracket, Calf Pad Mounting, Black	1	1
33		1026114	Screw, Phillips Pan Head (#10-32 x 1/2")	1	2
34		1025765	Locknut (1/4-28)	1	1

## Power Articulating Legrest ELRPW/ELRPW22 TDX SC

Item Number	Note	Part Number	Description	Quantity Per	
				Package	Assembly
35		1074191	Screw, Socket Countersunk Head (1/4-28 x 1/2")	1	1
36		1099690	Block, Calf Pad	1	1
37		1111716	Bracket, Calf Pad Mounting, Black - Right	1	1
37		1111717	Bracket, Calf Pad Mounting, Black - Left	1	1
38		1078214	Screw, Hex Head Cap w/ Patch (1/4-20 x 1/2")	1	2
39		1110742	Bushing, Sleeve	1	1
40		1079151	Pin, Roll (5/64 x 5/8")	1	1
41		1121026	Extrusion, External (12-1/2" Long) (ELRPW22 Before 7/22/04) and (ELRPW20 After 7/21/04)	1	1
41		1125435	Extrusion, External (14-1/2" Long) ELRPW22	1	1
42	E	1101114	Footplate Assembly - Right	1	1
42	E	1101115	Footplate Assembly - Left	1	1
43		1023965	Screw, Socket Head Cap (#10-32 x 1-1/2")	1	2
44		1028516	Washer (3/16 x 7/16 x 1/16")	1	2
45		1015629	Bushing	1	2
46		1101268	Heel Loop Assembly - Right	1	1
46		1101269	Heel Loop Assembly - Left	1	1
47		1060427	Footplate, Adjustable Angle - Large (5-1/4" W x 8" L)	1	1
48		1029545	Screw, Socket Head Cap (1/4-20 x 3/4")	1	2
49		1008495	Screw, Socket Button Head (1/4-20 x 1-1/2")	1	1
50		1082686	Nut, Hex Head (1/4-20 x 11/16")	1	2
51		1052102	Hinge, Footplate - Right	1	1
51		1052103	Hinge, Footplate - Left	1	1
52		1048816	Screw, Nylon Adjustment (1/2-13 x 7/8")	1	1
53		1016301	Washer, Nylon (5/16 x 7/8 x 1/8")	1	2
54		1099678	Extrusion, Footplate Adapter	1	1
55		1126091	Legrest Assembly, Power Articulating, Sector, Black (13"-20" Range) - Right	1	1
55		1126092	Legrest Assembly, Power Articulating, Sector, Black (13"-20" Range) - Left	1	1
55		1126093	Legrest Assembly, Power Articulating, Sector, Black (15"-22" Range) - Right	1	1
55		1126094	Legrest Assembly, Power Articulating, Sector, Black (15"-22" Range) - Left	1	1
NOTE: A - Includes items 2-7 B - Includes items 13, 25 and 26 C - Includes Items 25, 26 and 30-38 D - Includes Items 25, 26, 31-36, 38 E - Includes Items 10, 13, 25, 26 and 43-54 F - Not Shown					



# Dual Legs Integrated Actuator Module (DLIAM) MK6i For ELRPW Front Riggings - TDX SC



## Dual Legs Integrated Actuator Module (DLIAM) MK6i For ELRPW Front Riggings - TDX SC

Item Number	Note	Part Number	Description	Quantity Per	
				Package	Assembly
1		1140032	Module, Dual Legs Integrated Actuator (DLIAM) MK6i	1	1
2		1052041	Screw, Phillips Pan Head (#4-40 x 3/8")	1	4

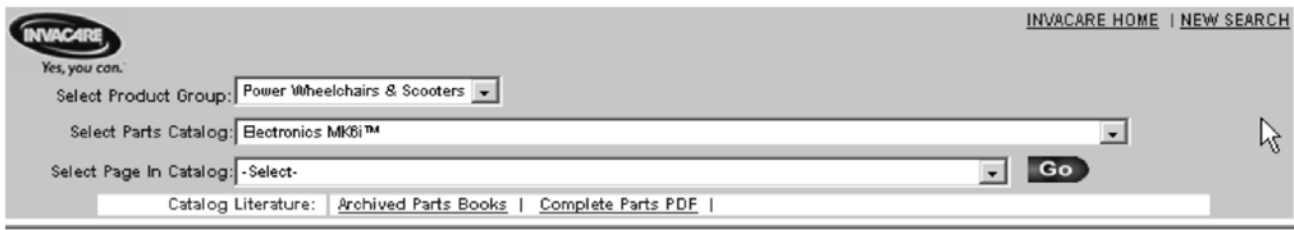
# MK6i Electronics

If you are looking for **MK6i™ Electronics** for the Formula™ CG Tilt (CGT) on TDX SC and TDX SPREE

The parts catalog information is now divided into two separate catalogs.

## Web Page

The MK6i™ Electronics information can be found on the Invacare web page by selecting “Electronics MK6i™” in the “Select Parts Catalog” drop down menu.



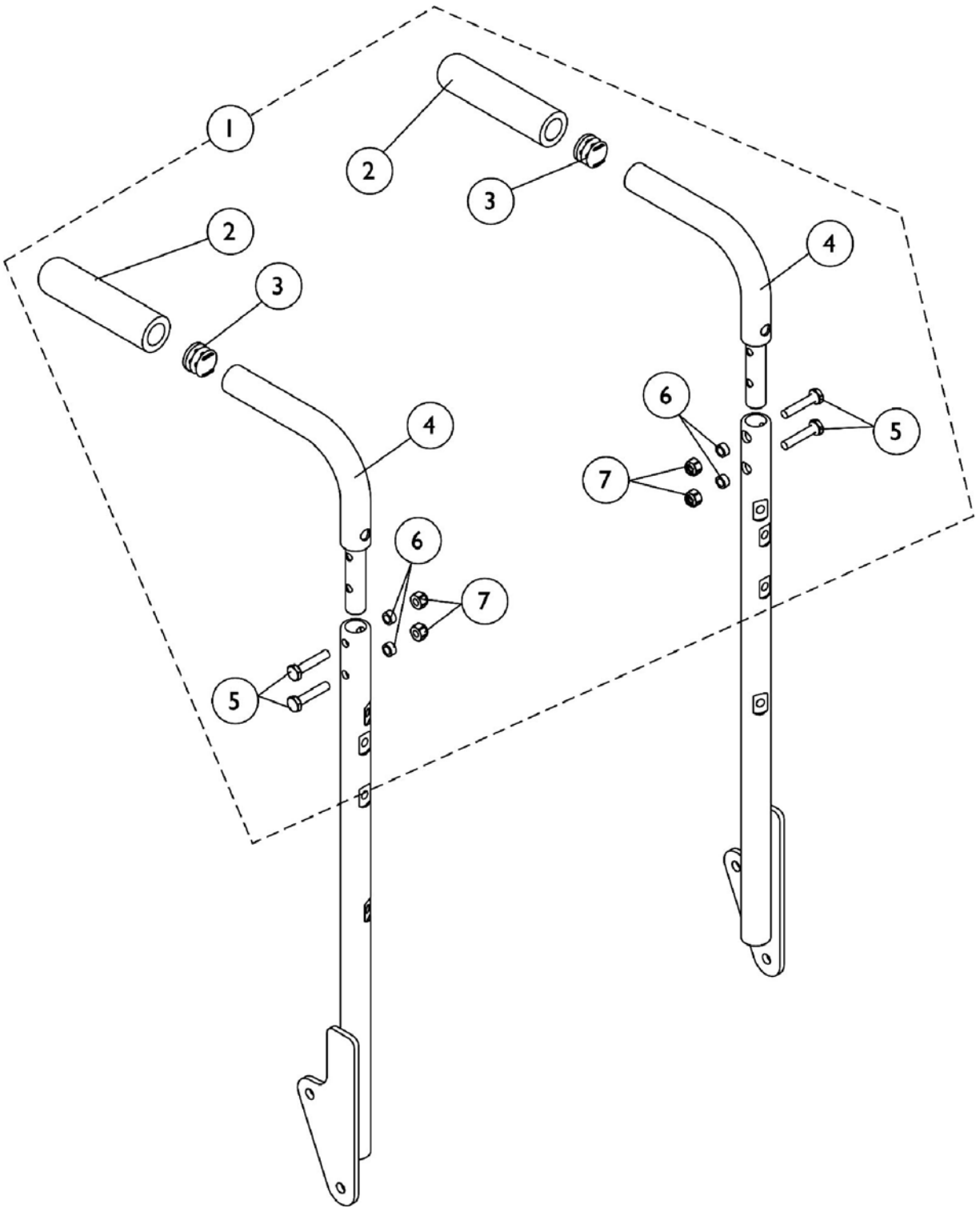
The screenshot shows the Invacare website's navigation and search area. At the top left is the Invacare logo with the tagline "Yes, you can." and the text "INVACARE HOME | NEW SEARCH" at the top right. Below the logo is a search form with three dropdown menus: "Select Product Group:" (set to "Power Wheelchairs & Scooters"), "Select Parts Catalog:" (set to "Electronics MK6i™"), and "Select Page In Catalog:" (set to "-Select-"). A "Go" button is located to the right of the third dropdown. Below the form is a "Catalog Literature:" section with links for "Archived Parts Books" and "Complete Parts PDF".

## Printed Catalog

The MK6i™ Electronics information can be found in printed copy at our Literature Fulfillment Center listed under form # 06-110 and titled “MK6i™ Electronics”.

# Back Cane Push Handle Attachments

## Conventional Seating



## Back Cane Push Handle Attachments Conventional Seating

Item Number	Note	Part Number	Description	Quantity Per	
				Package	Assembly
1	A	1133259	Kit, Back Cane Push Handle Attachments (Pair)	1	1
2			Foam Hand Grip (4-1/2" Long)	1	2
3			Plug Button, Black (7/8")	1	2
4			Attachment, Back Cane Push Handle	1	2
5			Screw, Hex Head (1/4-20 x 1-1/4")	1	4
6			Spacer (1/4 x 3/8 x 3/16")	1	4
7			Locknut (1/4-20)	1	4

NOTE: A - Includes items 2-7.

# Headrest Support Assembly, Tarsys

## Headrest Support Assembly, Tarsys

Item Number	Note	Part Number	Description	Quantity Per	
				Package	Assembly
1		0127700	Headrest, Curved (6"W x 7"H)	1	1
1		0128000	Headrest, Two-Step (8-1/2"W x 5-1/2"H)	1	1
1		0022600	Headrest, Small Adjustable, Otto Bock (9"W x 3-1/2"H)	1	1
1		0022400	Headrest, Large Adjustable, Otto Bock (12"W x 6"H)	1	1
2	A	0197024	Fixture Assembly, Offset Support	1	1
3		0271524	Tube, Offset Fixture	1	1
4		1077076	Plug Button, Square (1/2")	1	2
5		0271124	Collar, Offset Fixture Tube	1	1
6		0288606	Set Screw, Socket Head (#10-24 x 3/16")	1	1
7		0271224	Half Clamp, Non-Threaded Holes	1	1
8		0271324	Half Clamp, Threaded Holes	1	1
9		1027268	Screw, Allen Head (1/4-20 x 1")	1	3
10		0271424	Tube, Fixture Adjustment	1	1
11		0283724	Ring, Fixture Clamp	1	1
12		0067006	Screw, Socket Head (#10-32 x 1/2")	1	3
13	B	1124686	Kit, Conventional Headrest Mounting	1	1
14	B	1124685	Kit, Contoura Headrest Mounting	1	1
15	C,D	0273100	Kit, Headrest Clamp	1	1
16		0237422-NLA	Clamp, Small Bottom Half	1	1
17		0237522-NLA	Clamp, Small Top Half	1	1
18		1072439	Knob, Adjustment (1-3/8" Dia., 3/4" Long Threads)	1	1
19		0288706	Screw, Socket Head (1/4-20 x 1")	1	2
20		1025736	Locknut (1/4-20)	1	2
NOTE: A - Includes items 3-12 B - Individual components are not available C - The Headrest Clamp Kit is used for double spreader bar applications as well. D - Includes items 16-20. Order item 15 when items 16 or 17 that are no longer available individually are requested					

# Headrest Support Assembly, Stealth

## CP175/CP275/CP180/CP280

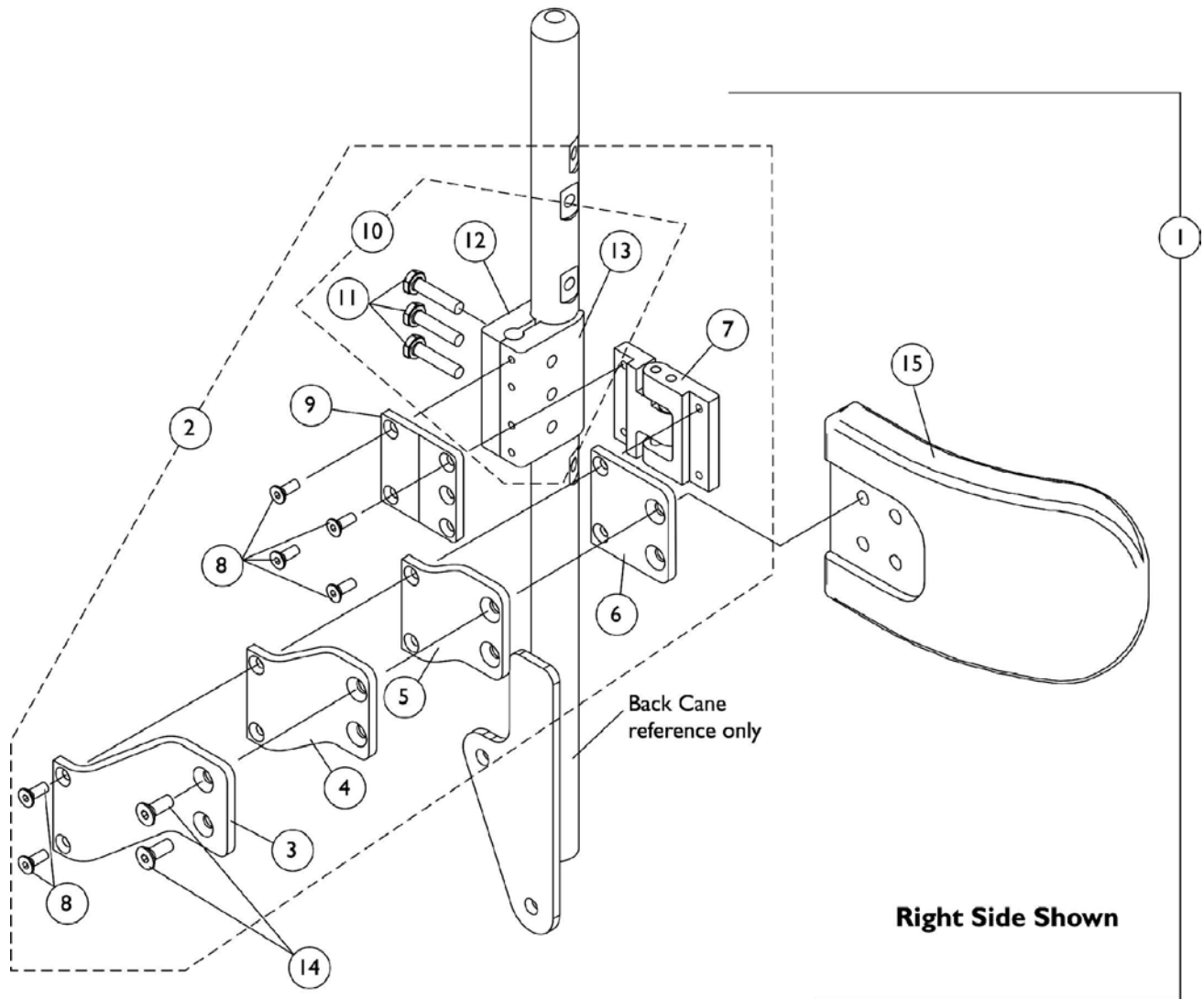


## Headrest Support Assembly, Stealth CP175/CP275/CP180/CP280

Item Number	Note	Part Number	Description	Quantity Per	
				Package	Assembly
1	A	1127408	Kit, Headrest 10" TWB Comfort Plus Stealth (CP280)	1	1
1	A	1127409	Kit, Headrest 14" TWB Comfort Plus Stealth (CP180)	1	1
1	A	1127410	Kit, Headrest 10" Multi-Axis Comfort Plus Stealth (CP275)	1	1
1	A	1127411	Kit, Headrest 14" Multi-Axis Comfort Plus Stealth (CP175)	1	1
2	C	1124686	Kit, Conventional Headrest Mounting	1	1
2	C	1124685	Kit, Contoura Headrest Mounting	1	1
3	C,D	1127414	Kit, Link Extension Stealth	1	1
4	B,E	0273100	Kit, Headrest Clamp	1	1
5		0237422-NLA	Clamp, Small Bottom Half	1	1
6		0237522-NLA	Clamp, Small Top Half	1	1
7		1072439	Knob, Adjustment (1-3/8" Dia., 3/4" Long Threads)	1	1
8		0288706	Screw, Socket Head (1/4-20 x 1")	1	2
9		1025736	Locknut (1/4-20)	1	2

NOTE: A - The mounting hardware will contain a lever and star knob tightening device. Disregard the lever that is provided standard by stealth and use the star knob designed for the Formula TRE systems.  
 B - The Headrest Clamp Kit is used for double spreader bar applications as well.  
 C - Individual components are not available  
 D - The Stealth Link Extension used on the Stealth Comfort Plus TWB models only  
 E - Includes items 5-9. Order item 4 when items 5 or 6 that are no longer available individually are requested

# Lateral Support Assembly, Tarsys TMSLM/TMSLL



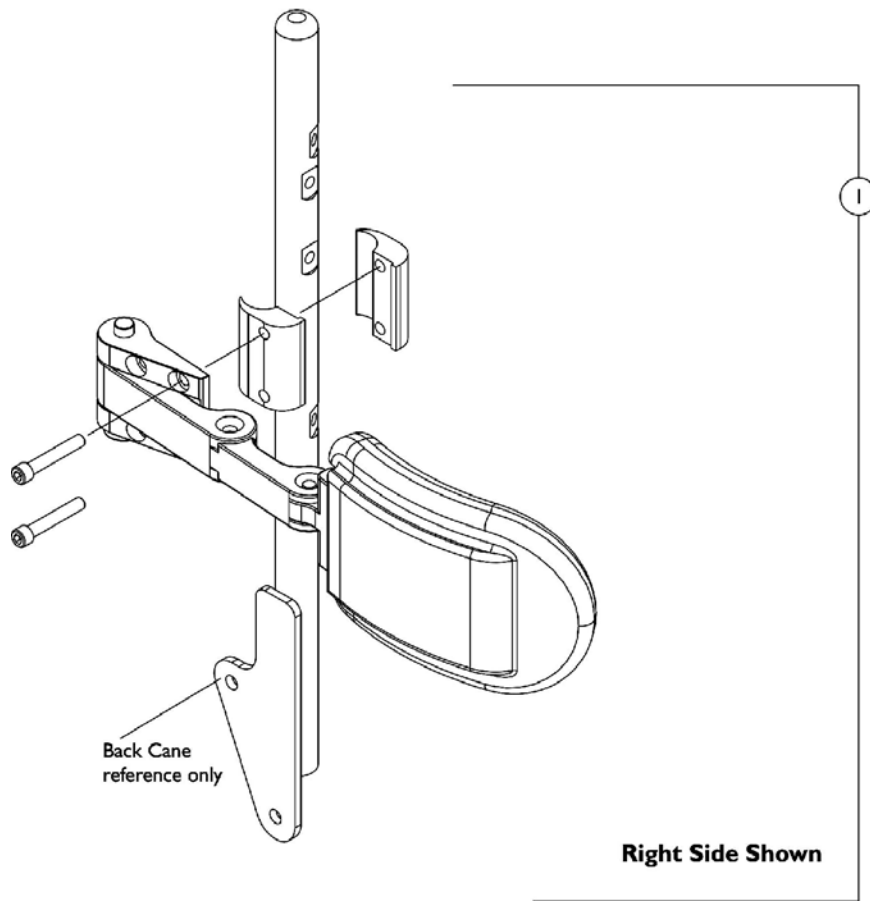
## Lateral Support Assembly, Tarsys TMSLM/TMSLL

Item Number	Note	Part Number	Description	Quantity Per	
				Package	Assembly
1	A	1107298	Kit, Swingaway Lateral Support Assemblies w/ Medium Pads (Pair)	1	1
3			Bracket, Extension Offset, Black (2")	1	2
4			Bracket, Extension Offset, Black (1")	1	2
5			Bracket, Extension Offset, Black (1/2")	1	2
6			Bracket, Flush Mount, Black	1	2
7			Bracket, Swingaway, Cane Clamp - Right	1	1
7			Bracket, Swingaway, Cane Clamp - Left	1	1
8			Screw, Socket Flat Head C'Sunk (#10-32 x 1/2")	1	12
9			Bracket, Mounting, Black	1	2
11			Screw, Hex Head (1/4-20 x 1-1/8")	1	6
12			Half Clamp, Non-Threaded Holes	1	2
13			Half Clamp, Threaded Holes	1	2
14			Screw, Socket Flat Head C'Sunk (1/4-20 x 1/2")	1	4
15			Pad, Lateral Support, Medium (6" Wide x 4" High)	1	2
1	A	1107299	Kit, Swingaway Lateral Support Assemblies w/ Large Pads (Pair)	1	1
3			Bracket, Extension Offset, Black (2")	1	2
4			Bracket, Extension Offset, Black (1")	1	2
5			Bracket, Extension Offset, Black (1/2")	1	2
6			Bracket, Flush Mount, Black	1	2
7			Bracket, Swingaway, Cane Clamp - Right	1	1
7			Bracket, Swingaway, Cane Clamp - Left	1	1
8			Screw, Socket Flat Head C'Sunk (#10-32 x 1/2")	1	12
9			Bracket, Mounting, Black	1	2
11			Screw, Hex Head (1/4-20 x 1-1/8")	1	6
12			Half Clamp, Non-Threaded Holes	1	2
13			Half Clamp, Threaded Holes	1	2
14			Screw, Socket Flat Head C'Sunk (1/4-20 x 1/2")	1	4
15			Pad, Lateral Support, Large (6" Wide x 5" High)	1	2
2	B	1107245	Kit, Swingaway Bracket Assembly with Offset Brackets, Cane Clamp - Right	1	1
3			Bracket, Extension Offset, Black (2")	1	1
4			Bracket, Extension Offset, Black (1")	1	1
5			Bracket, Extension Offset, Black (1/2")	1	1
6			Bracket, Flush Mount, Black	1	1
7			Bracket, Swingaway, Cane Clamp - Right	1	1
8			Screw, Socket Flat Head C'Sunk (#10-32 x 1/2")	1	6
9			Bracket, Mounting, Black	1	1
11			Screw, Hex Head (1/4-20 x 1-1/8")	1	3
12			Half Clamp, Non-Threaded Holes	1	1
13			Half Clamp, Threaded Holes	1	1
2	B	1107246	Kit, Swingaway Bracket Assembly with Offset Brackets, Cane Clamp - Left	1	1
3			Bracket, Extension Offset, Black (2")	1	1

## Lateral Support Assembly, Tarsys TMSLM/TMSLL

Item Number	Note	Part Number	Description	Quantity Per	
				Package	Assembly
4			Bracket, Extension Offset, Black (1")	1	1
5			Bracket, Extension Offset, Black (1/2")	1	1
6			Bracket, Flush Mount, Black	1	1
7			Bracket, Swingaway, Cane Clamp - Left	1	1
8			Screw, Socket Flat Head C'Sunk (#10-32 x 1/2")	1	6
9			Bracket, Mounting, Black	1	1
11			Screw, Hex Head (1/4-20 x 1-1/8")	1	3
12			Half Clamp, Non-Threaded Holes	1	1
13			Half Clamp, Threaded Holes	1	1
10	C	1107117	Kit, Lateral Support Mounting Hardware	1	1
11			Screw, Hex Head (1/4-20 x 1-1/8")	1	3
12			Half Clamp, Non-Threaded Holes	1	1
13			Half Clamp, Threaded Holes	1	1
NOTE: A - Includes items 3-9 and 11-15 B - Includes items 3-9 and 11-13 C - Includes items 11-13					

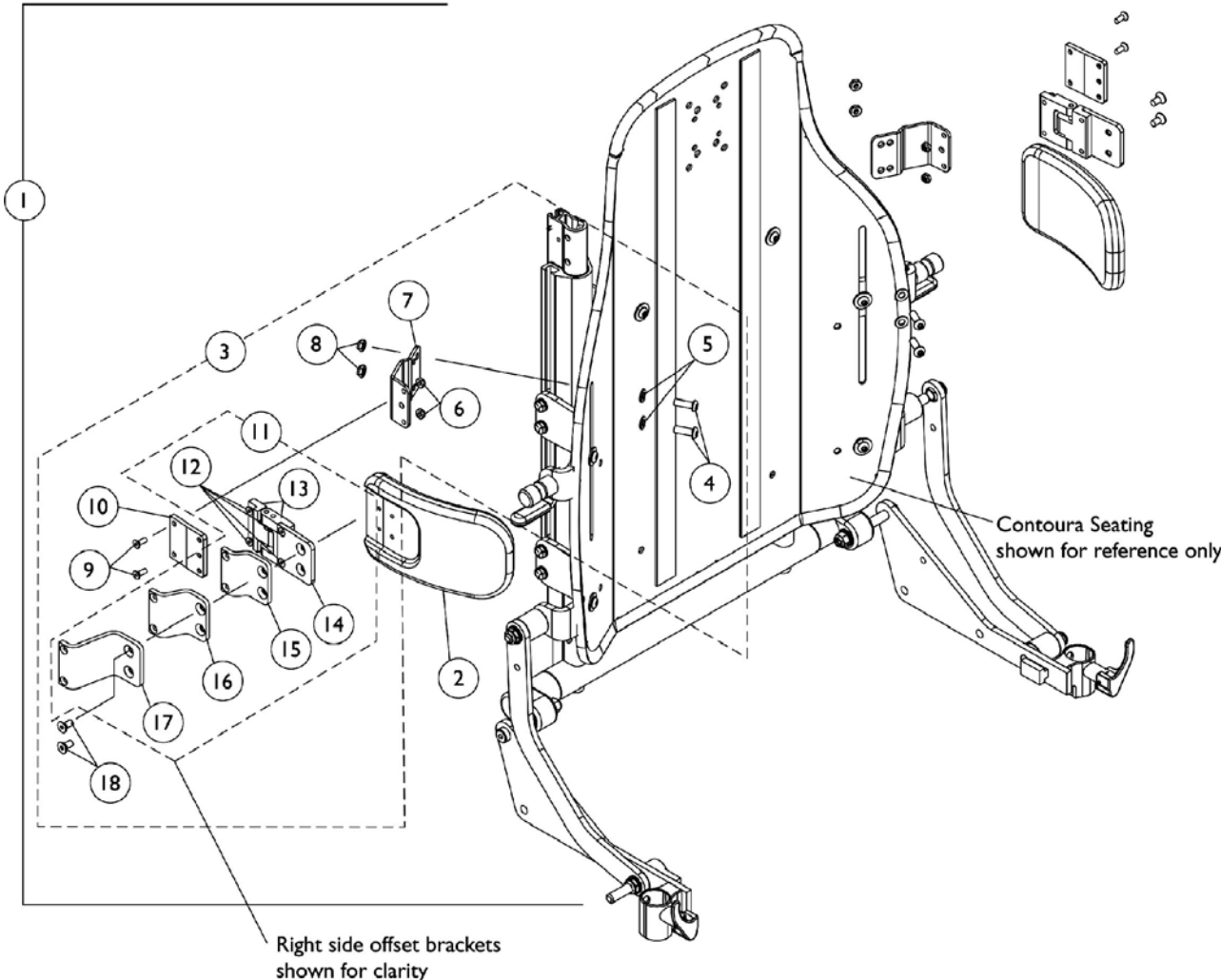
# Lateral Support Assembly, Stealth TWB-RPR/TWB-RPRL



Item Number	Note	Part Number	Description	Quantity Per	
				Package	Assembly
1	A	1125826	Kit, Swingaway Lateral Support Assemblies w/ Medium Pads (5" W x 3" H), Stealth (TWB-RPR) (Pair)	1	1
1	A	1125823	Kit, Swingaway Lateral Support Assemblies w/ Large Pads (6" W x 4" H), Stealth (TWB-RPRL) (Pair)	1	1

NOTE: A - Individual components are not available

# Lateral Support Assembly, Tarsys CSLM/CSLL Contoura Seating



## Lateral Support Assembly, Tarsys CSLM/CSLL Contoura Seating

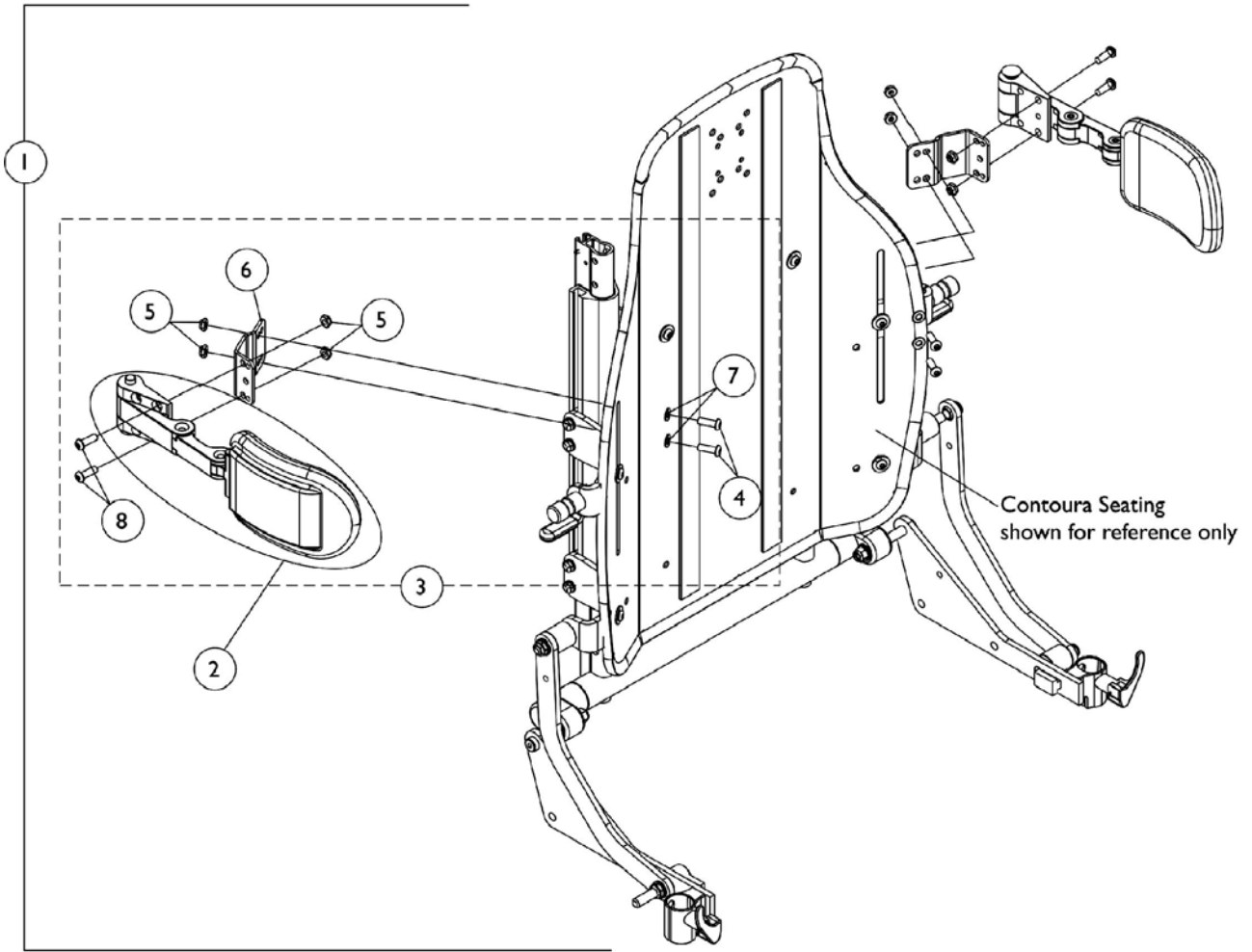
Item Number	Note	Part Number	Description	Quantity Per	
				Package	Assembly
1	A	1128353	Kit, Lateral Support Assemblies w/ Medium Pads (Pair)	1	1
2			Pad, Lateral Support, Medium (6" Wide x 4" High)	1	2
4			Screw, Socket Head (1/4-20 x 3/4")	1	4
5			Washer (1/4 x 1/2 x 1/16")	1	4
6			Locknut (#10-32)	1	4
7			Bracket, Positioning Strap	1	2
8			Locknut (1/4-20)	1	4
9			Screw, Socket Flat Head C'Sunk (#10-32 x 1/2")	1	4
10			Bracket, Mounting, Black	1	2
12			Screw, Socket Flat Head C'Sunk (#10-32 x 1/2")	1	4
13			Swingaway Bracket - Right	1	1
13			Swingaway Bracket - Left	1	1
14			Bracket, Flush Mount, Black	1	2
15			Bracket, Extension Offset, Black (1/2")	1	2
16			Bracket, Extension Offset, Black (1")	1	2
17			Bracket, Extension Offset, Black (2")	1	2
18			Screw, Socket Flat Head C'Sunk (1/4-20 x 1/2")	1	4
1	A	1128354	Kit, Lateral Support Assemblies w/ Large Pads (Pair)	1	1
2			Pad, Lateral Support, Large (6" Wide x 5" High)	1	2
4			Screw, Socket Head (1/4-20 x 3/4")	1	4
5			Washer (1/4 x 1/2 x 1/16")	1	4
6			Locknut (#10-32)	1	4
7			Bracket, Positioning Strap	1	2
8			Locknut (1/4-20)	1	4
9			Screw, Socket Flat Head C'Sunk (#10-32 x 1/2")	1	4
10			Bracket, Mounting, Black	1	2
12			Screw, Socket Flat Head C'Sunk (#10-32 x 1/2")	1	4
13			Swingaway Bracket - Right	1	1
13			Swingaway Bracket - Left	1	1
14			Bracket, Flush Mount, Black	1	2
15			Bracket, Extension Offset, Black (1/2")	1	2
16			Bracket, Extension Offset, Black (1")	1	2
17			Bracket, Extension Offset, Black (2")	1	2
18			Screw, Socket Flat Head C'Sunk (1/4-20 x 1/2")	1	4
3	B	1125780	Kit, Lateral Support Mounting Hardware (Pair)	1	1
4			Screw, Socket Head (1/4-20 x 3/4")	1	4
5			Washer (1/4 x 1/2 x 1/16")	1	4
6			Locknut (#10-32)	1	4
7			Bracket, Positioning Strap	1	2
8			Locknut (1/4-20)	1	4
9			Screw, Socket Flat Head C'Sunk (#10-32 x 1/2")	1	4
10			Bracket, Mounting, Black	1	2

## Lateral Support Assembly, Tarsys CSLM/CSLL Contoura Seating

Item Number	Note	Part Number	Description	Quantity Per	
				Package	Assembly
12			Screw, Socket Flat Head C'Sunk (#10-32 x 1/2")	1	4
13			Swingaway Bracket - Right	1	1
13			Swingaway Bracket - Left	1	1
14			Bracket, Flush Mount, Black	1	2
15			Bracket, Extension Offset, Black (1/2")	1	2
16			Bracket, Extension Offset, Black (1")	1	2
17			Bracket, Extension Offset, Black (2")	1	2
18			Screw, Socket Flat Head C'Sunk (1/4-20 x 1/2")	1	4
11	C	1090198	Kit, Swingaway Bracket Assembly w/ Offset Brackets - Right	1	1
12			Screw, Socket Flat Head C'Sunk (#10-32 x 1/2")	1	4
13			Swingaway Bracket - Right	1	1
14			Bracket, Flush Mount, Black	1	2
15			Bracket, Extension Offset, Black (1/2")	1	1
16			Bracket, Extension Offset, Black (1")	1	1
17			Bracket, Extension Offset, Black (2")	1	1
11	C	1090199	Kit, Swingaway Bracket Assembly w/ Offset Brackets - Left	1	1
12			Screw, Socket Flat Head C'Sunk (#10-32 x 1/2")	1	4
13			Swingaway Bracket - Left	1	1
14			Bracket, Flush Mount, Black	1	2
15			Bracket, Extension Offset, Black (1/2")	1	1
16			Bracket, Extension Offset, Black (1")	1	1
17			Bracket, Extension Offset, Black (2")	1	1
NOTE: A - Includes items 2, 4-10 and 12-18 B - Includes items 4-10 and 12-18 C - Includes items 12-17					



# Lateral Support Assembly, Stealth TWB-CPR/TWB-CPRL Contoura Seating



## Lateral Support Assembly, Stealth TWB-CPR/TWB-CPRL Contoura Seating

Item Number	Note	Part Number	Description	Quantity Per	
				Package	Assembly
1	A	1128734	Kit, Swingaway Lateral Support Assemblies w/ Medium Pads (5" W x 3" H), Stealth (Pair)	1	1
2			Support, Swingaway Lateral w/ Medium Pads (5" W x 3" H), Stealth (TWB-CPR)	2	1
4			Screw, Socket Head (1/4-20 x 3/4")	1	4
5			Locknut (1/4-20)	1	8
6			Bracket, Positioning Strap	1	2
7			Washer (1/4 x 1/2 x 1/16")	1	4
8			Screw, Socket Head (1/4-20 x 1/2")	1	4
1	A	1128735	Kit, Swingaway Lateral Support Assemblies w/ Large Pads (6" W x 4" W), Stealth (Pair)	1	1
2			Support, Swingaway Lateral w/ Large Pads (6" W x 4" H), Stealth (TWB-CPRL)	2	1
4			Screw, Socket Head (1/4-20 x 3/4")	1	4
5			Locknut (1/4-20)	1	8
6			Bracket, Positioning Strap	1	2
7			Washer (1/4 x 1/2 x 1/16")	1	4
8			Screw, Socket Head (1/4-20 x 1/2")	1	4
3	B	1128733	Kit, Swingaway Lateral Support Mounting Hardware, Stealth (Pair)	1	1
4			Screw, Socket Head (1/4-20 x 3/4")	1	4
5			Locknut (1/4-20)	1	8
6			Bracket, Positioning Strap	1	2
7			Washer (1/4 x 1/2 x 1/16")	1	4
8			Screw, Socket Head (1/4-20 x 1/2")	1	4
NOTE: A - Includes items 2 and 4-8 B - Includes items 4-8					

# Seat and Chest Positioning Straps Mounting Hardware

## Seat and Chest Positioning Straps Mounting Hardware

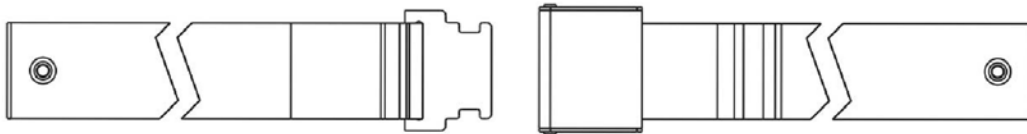
Item Number	Note	Part Number	Description	Quantity Per	
				Package	Assembly
1	A	1124385	Kit, Seat Positioning Strap Mounting Hardware (both LT & RT sides)	1	1
2			Screw, Hex Head (1/4-20 x 3/4")	1	2
3			Washer (1/4 x 1/2 x 1/16")	1	2
4			Locknut (1/4-20)	1	2
5	B	1125798	Kit, Chest Positioning Strap's Mounting Hardware For Contoura Seating (both LT & RT sides)	1	1
6			Screw, Socket Head (1/4-20 x 3/4")	1	6
7			Washer (1/4 x 1/2 x 1/16")	1	6
8			Bracket, Positioning Strap	1	2
9			Locknut (1/4-20)	1	6
10	C	1128732	Package, Chest Positioning Strap Mounting Hardware (both LT/RT sides)	2	1

NOTE: A - Includes items 2-4  
 B - Includes items 6-9  
 C - Used for mounting chest positioning straps to solid straight back canes

## Seat and Chest Positioning Straps without Mounting Hardware



**Auto Style Push Button Buckle**



**Airline Style Buckle Positioning Strap**



**Hook and Loop Style Buckle Positioning Strap**

# Seat and Chest Positioning Straps without Mounting Hardware

## Positioning Straps

Description	12"-15" Wide	16"-19" Wide	20" Wide
Auto Style Push Button  See Note(s) B	1036527 Positioning Strap, Seat/Chest w/ Auto Style Buckle (Eyelet to Eyelet Length 33")	1004310 Positioning Strap, Seat/Chest w/ Auto Style Push Button Buckle (Eyelet to Eyelet Length 48")	1034625 Positioning Strap, Seat/Chest w/ Auto Style Push Button Buckle (Eyelet to Eyelet Length 61")
Airline Style	N/A	1034625 Positioning Strap, Seat/Chest w/ Auto Style Push Button Buckle (Eyelet to Eyelet Length 61")	1034752 Positioning Strap, Seat/Chest w/ Airline Style Buckle (Eyelet to Eyelet Length 61")
Hook and Loop	N/A	1034745 Positioning Strap, Seat/Chest w/ Hook and Loop Style Buckle (Eyelet to Eyelet Length 61")  See Note(s) A	1034745 Positioning Strap, Seat/Chest w/ Hook and Loop Style Buckle (Eyelet to Eyelet Length 61")  See Note(s) A
NOTE: A - Hook and Loop style positioning strap for power chairs is used for chest positioning only B - 12"-15" wide positioning straps come in rainbow color			

Invacare Corporation

[www.invacare.com](http://www.invacare.com)



Yes, you can.™

One Invacare Way  
Elyria, Oh USA  
44036-2125  
800-333-6900

Technical Support  
800-832-4707  
Florida Technical Support  
407-321-5630

Customer Service  
800-333-6900

©2008 Invacare Corporation. Elyria, Ohio.  
All rights reserved. Trademarks are identified by the symbols™ and®. All trademarks are owned by or licensed to Invacare Corporation unless otherwise noted. Otto Bock is a registered trademark of Otto Bock Orthopaedische Industrie GMBH & Co.. Tash is a registered trademark of Tash International Inc.. Therafin is a registered trademark of W/R/ Medical Electronics Co.. Bussman is a registered trademark of Cooper Industries. MIDI is a registered trademark of Littelfuse Inc.. Dynamic is a registered trademark of Dynamic Controls Limited.  
(Revised 07/2/08)

Form No. 08-077