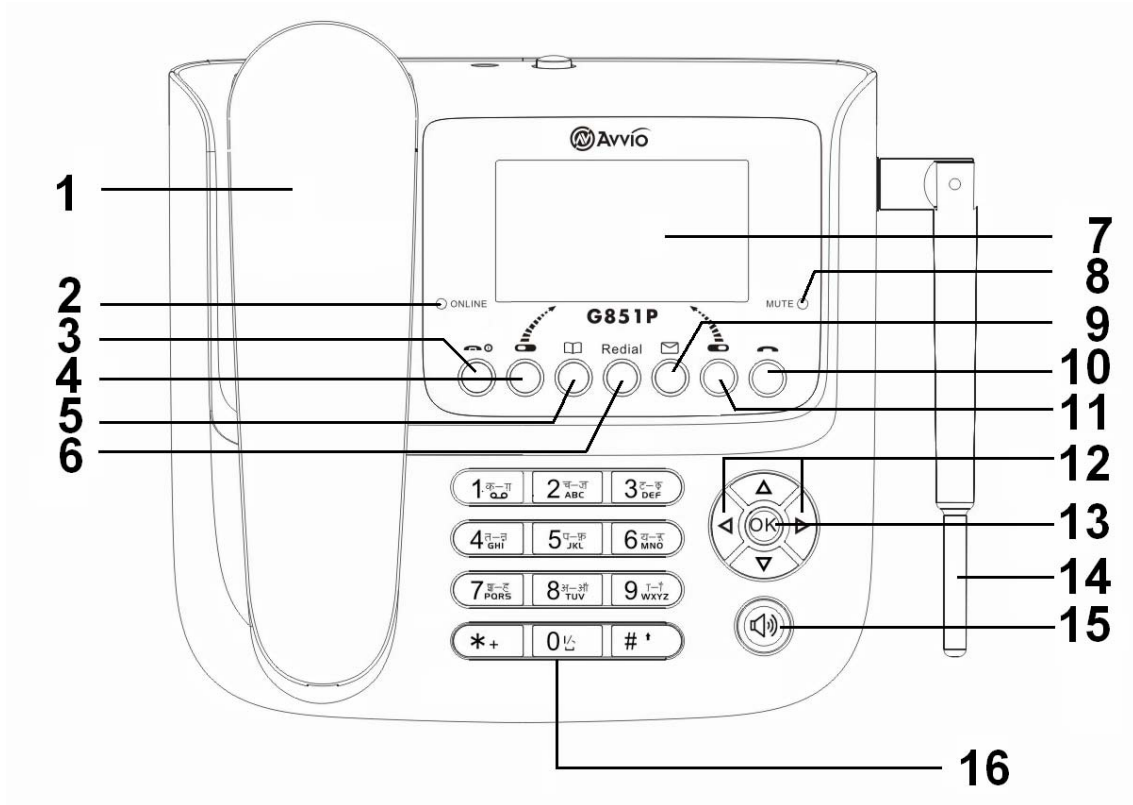


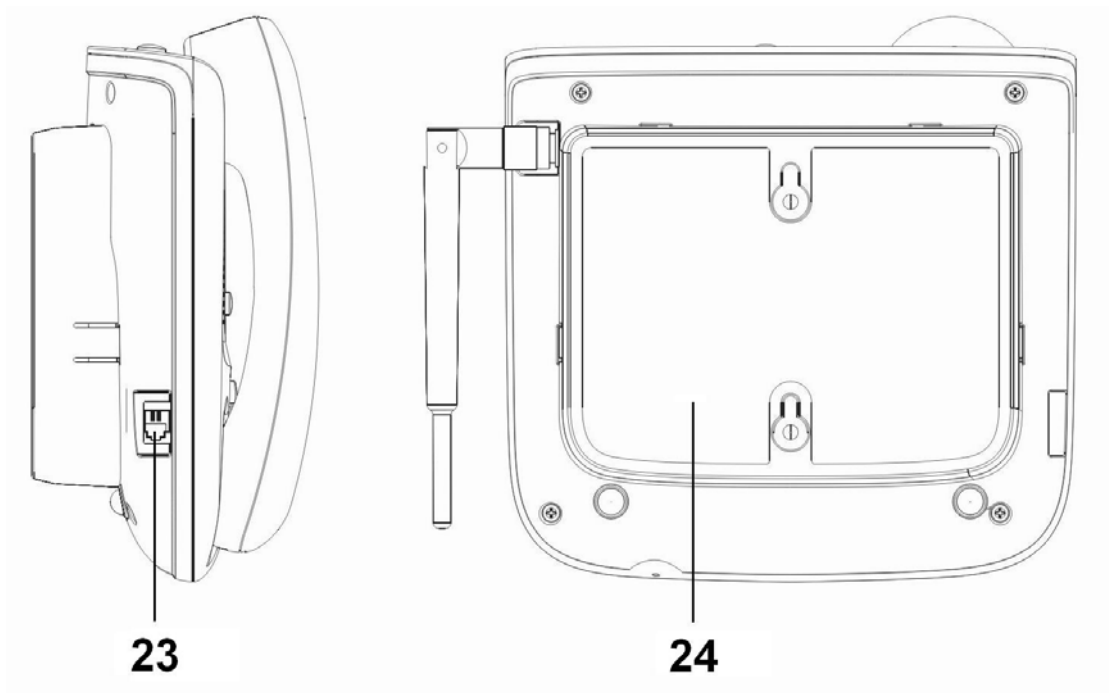
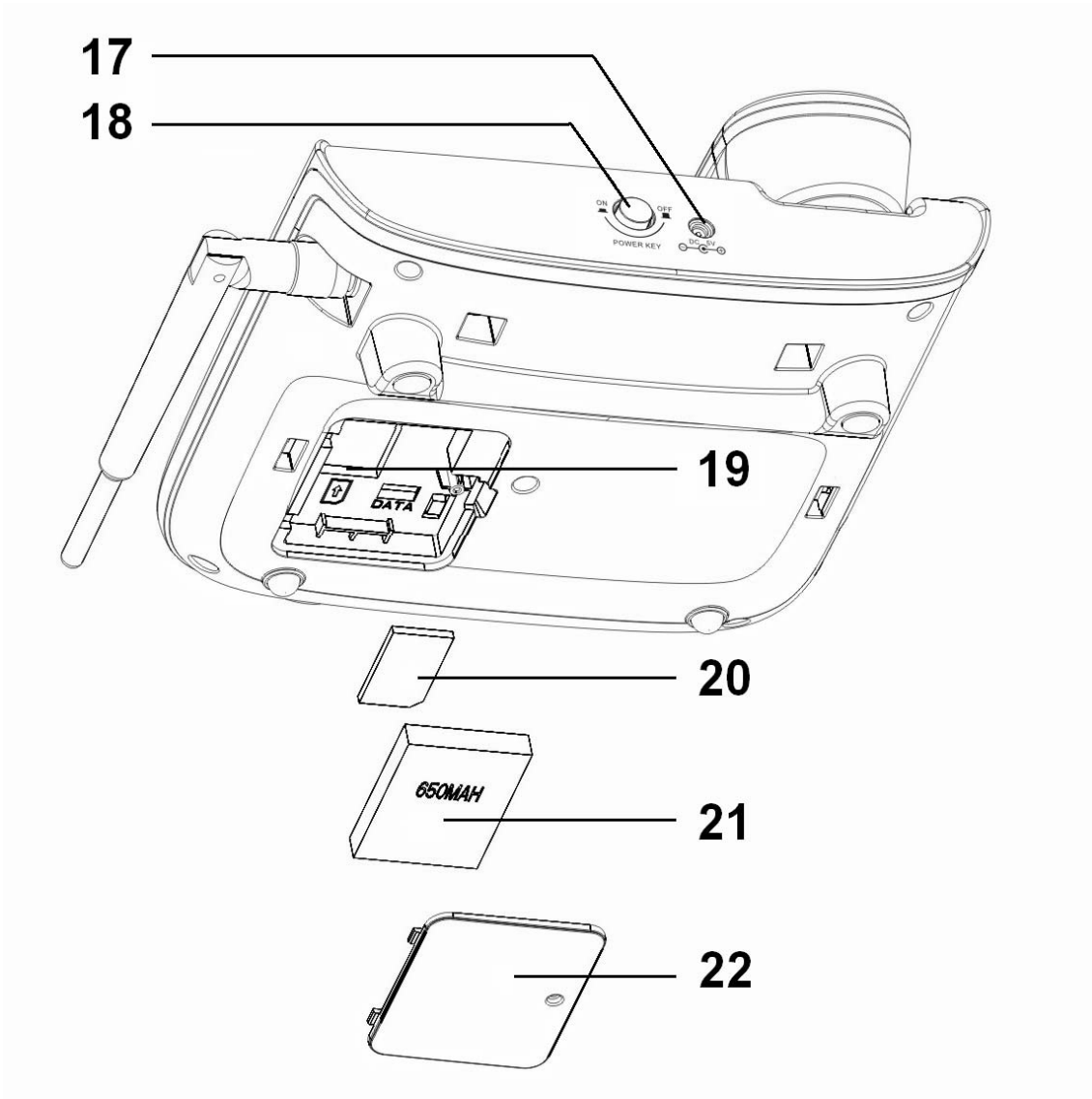
G851P

USER GUIDE

Your phone at a glance.....	3
For your safety	6
Battery and charger.....	7
Care and maintenance	8
Indicators and icons in idle mode	9
Getting Started	10

Your phone at a glance





1	Handset	
2	Online Indicator	
3	End key	<ul style="list-style-type: none"> ● Press and hold to power the phone on when the phone is off ● Press and hold to power the phone off when the phone is in idle ● End or reject a call ● Return to idle display
4	Left Soft key	<ul style="list-style-type: none"> ● Enter the main menu in idle ● Execute the function shown at the bottom left of the display
5	Shortcut key for Contacts	<ul style="list-style-type: none"> ● Enter the Contacts in idle
6	Redial key	<ul style="list-style-type: none"> ● dial out the last number you called
7	Display	<ul style="list-style-type: none"> ●
8	Mute Indicator	<ul style="list-style-type: none"> ●
9	Shortcut key for SMS	<ul style="list-style-type: none"> ● Enter the Message in idle
10	Send key	<ul style="list-style-type: none"> ● Make or answer a call ● List the dialed calls in idle
11	Right Soft key	<ul style="list-style-type: none"> ● Enter the Contacts in idle ● Execute the function shown at the bottom right of the display
12	Arrow key	<ul style="list-style-type: none"> ● Move the cursor ● Press Left/Right arrow key to decrease/increase the earpiece and ring volume
13	OK key	<ul style="list-style-type: none"> ● Confirm operations
14	Dual Band ANT	<ul style="list-style-type: none"> ●
15	Handfree key	<ul style="list-style-type: none"> ●
16	Dial button (Numeric key)	<ul style="list-style-type: none"> ● Enter phone numbers, characters or select the function
17	Charger connector	<ul style="list-style-type: none"> ●
18	Power key	<ul style="list-style-type: none"> ● Shut off the power supply
19	SIM card slot	<ul style="list-style-type: none"> ●
20	SIM card	<ul style="list-style-type: none"> ●
21	Battery	<ul style="list-style-type: none"> ●
22	Battery cover	<ul style="list-style-type: none"> ●
23	Jack for handset	<ul style="list-style-type: none"> ●
24	Base	<ul style="list-style-type: none"> ●

For your safety

Please read the following guidelines carefully. Failure to comply with them may be dangerous and could affect your warranty.

Switch off when refueling

Do not use the phone at a petrol station or near fuels or chemicals.

Switch off in hospitals

Follow all hospital rules and regulations. When near medical equipment, switch off the phone.

Anyone with a pacemaker ...

- Should always keep the phone more than 6 inches from their pacemaker when the phone is turned on.
- Should use the ear opposite the pacemaker in order to minimize the potential for interference.
- Should not carry the phone in a breast pocket.
- Should consult your doctor or the manufacturer of the medical device if you have any questions.

Interference

All mobile phones may be subject to radio interference, which could affect their performance.

Use sensibly

Never connect the phone to the charger when the battery has been removed.

Accessories and batteries

Use only approved accessories and batteries to avoid damage to the phone. The use of any other accessory will invalidate any approval or warranty applying to the phone, and may be dangerous.

Qualified service

This phone equipment should only be installed or repaired by qualified service personnel. Only qualified service personnel may install or repair this phone equipment.

Connecting to other devices

Do not connect incompatible products, as this will invalidate your warranty.

Emergency calls

To make an emergency call, make sure that the phone is switched on and that you have adequate cellular signal strength. Pick up the handset or press the [Hand free] key, enter the emergency number (999, 112 or other official emergency numbers).

Once connected, request the appropriate emergency service and clearly relay any details, including your location and contact telephone number. DO NOT end the call until you are told to do so.

The antenna(s) used for this transmitter must be installed to provide a separation distance of at least 20 cm from all persons and must not be co-located or operating in conjunction with any other antenna or transmitter.

Battery and charger

- Only use the battery and charger approved by the manufacturer.
- A new battery's full performance is achieved only after two or three complete charge/discharge cycles.
- Be particularly careful when you carry a fully charged battery in your handbag, pocket or other holder containing metal objects (coins, clips, pens, keys, necklaces, etc.).
- When the battery is running low and only a few minutes of talk time remain, the screen will prompt a message. When the battery has completely discharged, the phone will switch off automatically.
- The battery can be charged and discharged hundreds of times, but it will eventually wear out. When the operating time is noticeably shorter than usual, it is time to buy a new battery.
- Before removing the battery, be sure to first switch off your phone. Failure to do so may damage your phone's memory.
- If left unused, a fully charged battery will discharge itself over time. In this condition, if the battery's voltage is too low, the phone will not display the charging indication until the battery's voltage is back to normal. After plugging in the charger, please wait for charging indication to be displayed, and then begin normal usage of the handset.
- When the charger is not in use, disconnect it from the power source. Do not leave the battery connected to a charger for longer than a week. Overcharging may damage it.
- Never use any charger or battery that is damaged or worn out, as this may damage the phone.
- Do not put the battery in extremely hot or cold places. This will reduce its capacity and lifetime. Always keep the phone in a cool and dry place.
- Batteries must be recycled or disposed of properly. They must not be disposed of with household waste. Do not dispose of batteries in a fire.











Care and maintenance

Your phone is a product of superior design and manufacture and should be treated with care. The suggestions below will help you enjoy this product for many years.

- Keep the phone and all its parts and accessories out of the reach of small children.
- Keep it dry. Avoid exposure to precipitation, humidity and liquids, which could all affect electric circuits.
- Do not keep it in high temperatures. Electric devices including batteries and plastic parts may warp or melt in heat.
- Do not keep it in low temperatures. Moisture can form inside the phone, which may damage electric circuit boards.
- Do not use or store the phone in dusty or dirty areas, as its components may be damaged.
- Do not use harsh chemicals, cleaning solvents or detergents to clean the phone. Wipe it with a damp (not wet) soft cloth.
- Do not paint it. Paint can clog the device's moving parts and prevent proper operation.
- Do not attempt to take the phone apart. Inexpert handling of the device may damage it.
- Do not drop, knock or shake it. Rough handling can cause product damage.
- When you disconnect the power cord of any accessory, grasp and pull the plug, not the cord.
- If the phone, battery, charger or any other accessory is not working properly, please contact the place of purchase as soon as possible.

Indicators and icons in idle mode

Idle mode refers to the status when the phone is switched on and ready for use (when there is not a call in progress and no key presses have been made). The following indicators and icons advise you of the operational status of your phone:

-  : GSM signal strength indicator. The more bars displayed, the better the GSM signal strength.
-  : The phone is in the connecting or connected status.
-  : The keypad is locked.
-  : You have unread messages.
-  : Fixed dial is set on.
-  : The alarm is set on.
-  : Battery level indicator: The more segments you see, the more power you have left.
-  : The phone is in roaming status.
- L1 / L2 : Indicates the Line switching.
-  : GSM direct divert active.
-  : Voice message waiting in L1; L2; both L1 and L2. Only one of those icons shall display in idle screen.

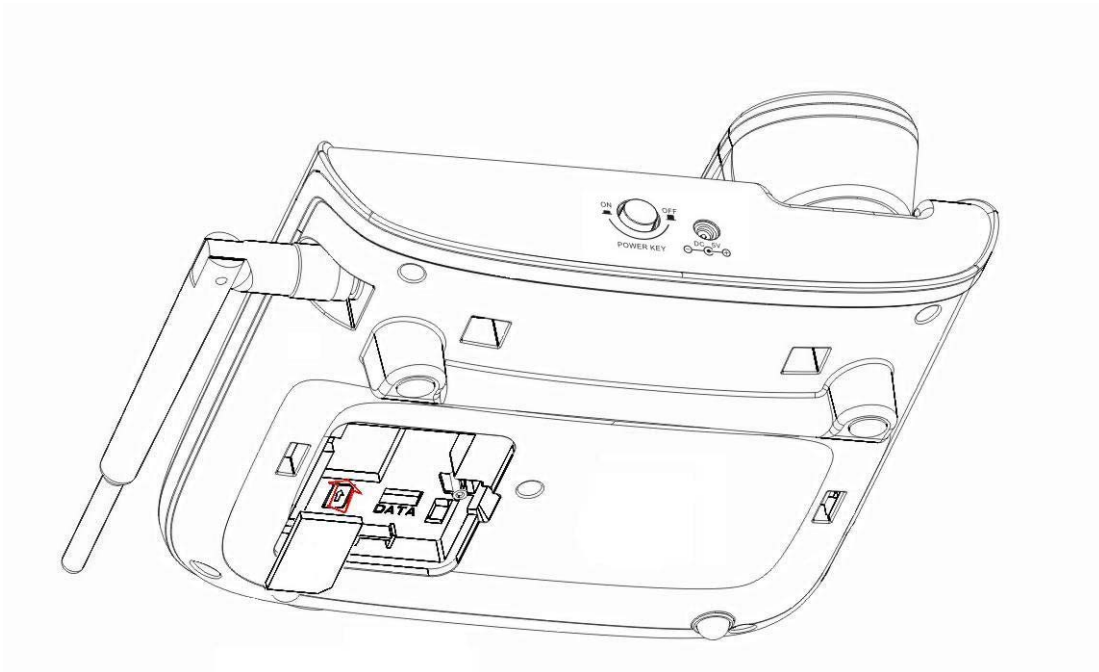
Getting Started

Inserting the SIM card

Insert the SIM card before attempting to make or receive a call.

- The SIM card can easily be damaged by scratches or bending, so be careful when handling, inserting or removing the card. Avoid water and static electricity.
- Before inserting or removing the SIM card, make sure the phone is switched off and the charger is not connected, or the memory on the SIM card could be damaged.

- 1 With the back of the phone facing you, place the SIM card into the SIM card slot in the base of the phone. Make sure that the cut corner is at the bottom right and that the metal contacts are facing down.
- 2 Place the battery and Battery cover.



Charging the battery

Plug the lead from the charger into the socket on the bottom of the phone.

Plug the charger into an electrical outlet. The indicator light will turn on red, a message will appear and the battery indicator bar on the idle screen will scroll to indicate charging.

When the battery has been fully charged, the indicator light will turn on green, a message will appear and the battery indicator bar will stop scrolling.

Disconnect the charger from the electrical outlet and disconnect the phone from the charger.

Note

- Your phone is powered by a rechargeable Li-ion battery.
- Use only approved batteries and chargers.
- The phone can still be used while the battery is charging.
- You can switch your phone on or off while charging the battery. It is normal for the charger to become hot during charging. For more information, please refer to Battery and charger.

Switching the phone on or off

Press and hold End key to switch the phone on or off.

- Make sure the power key is on before you power on the phone.
- If you have activated the phone lock, you are required to enter the password each time the phone is switched on.