

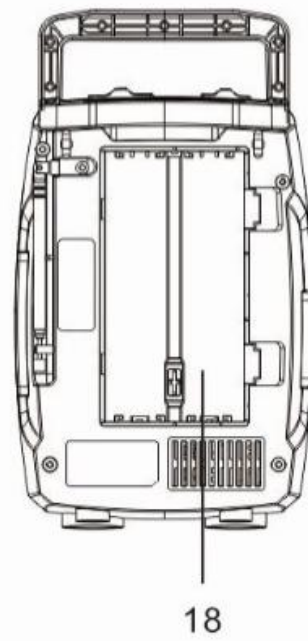
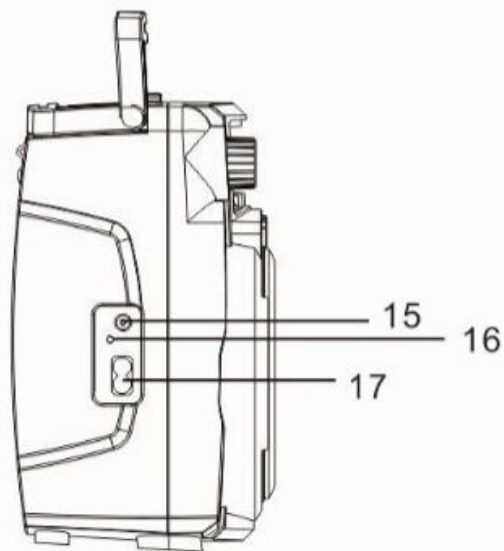
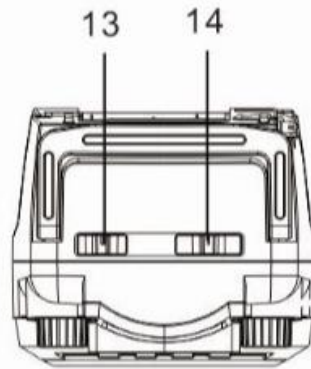
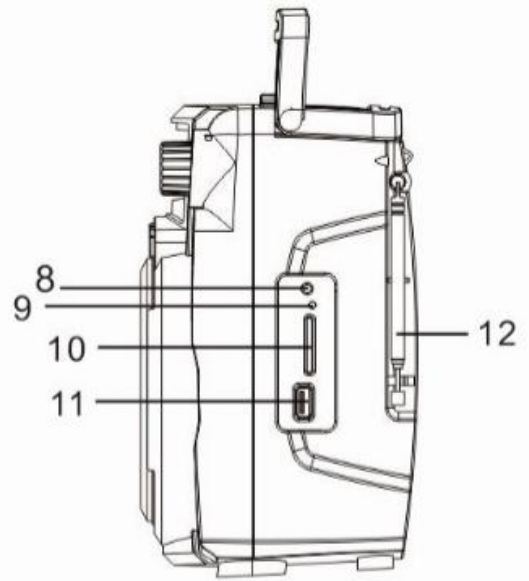
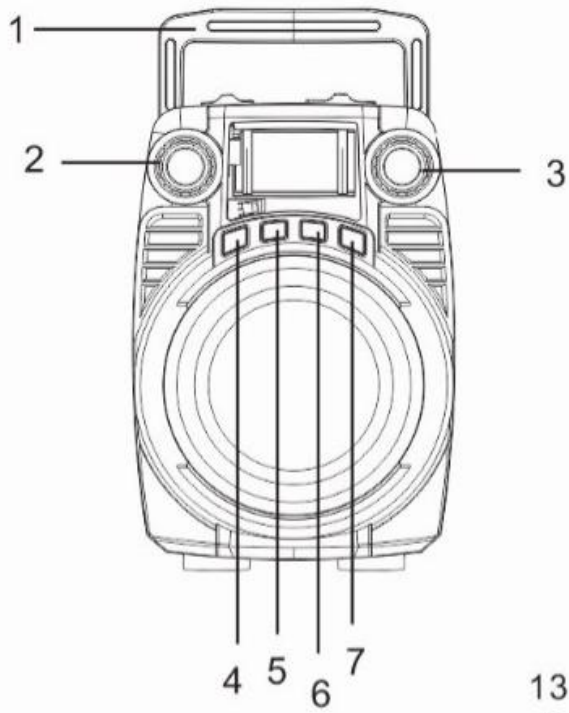
INSTRUCTION MANUAL



IP-113BT



WARNING: To prevent fire or shock hazard, do not expose this appliance to rain or moisture. This equipment must be disconnected from the mains when not used.



<

Function Control Locations

- | | |
|---------------------------|-----------------|
| 1.HANDLE | 10.SDC CARD |
| 2.VOLUME | 11.USBC DIRECT |
| 3.TUNING | 12.ROD ANTENNA |
| 4.REPEAT | 13.FUNCTION |
| 5.PREV/REW | 14.BAND |
| 6.PLAY/PAUSE | 15.DC IN |
| 7.NEXT/F.FWD | 16.CHARGE |
| 8.AUX IN | 17.AC IN |
| 9.USBC POWER
INDICATOR | 18.BATTERY DOOR |

ALL SORTS OF FUNCTION OPERATION METHOD:

A.RADIO

- 1.Open the volume knob VOL,The band switch to radio location it is in a state of radio.
- 2.Driving range switch to want to listen to the radio broadcast band, slowly turn the TUNING frequency adjustment, to see the position of the pointer like listening to radio program.
- 3.Radio, Receive FM,SW band ,pull rod antenna, and adjust direction can receive better effect,Receive AM band, Turn the machine direction, can receive better effect.

B.PLAY USBC/SDC

- 1.The function switch to the USBC/BT position.
- 2.Insert the USBC/SDC card USBC/SDC card interface,Can play normal USBC/SDC.
- 3.In the process of PLAY, press PLAY/PAUSE button (▶||) immediately stop,press continue to PLAY again.
- 4.In the process of play, click on a QuJian (|◀◀/◀◀) can jump on a track, click the NEXT song (▶▶/▶▶|) key can jump down a track,long press (Designs) to retreat quickly can retreat quickly, long press fast forward (F.F WD) key can fast forward.Press the REPEAT key recycled playback the current song
- 5.Rotate the VOL button can adjust the volume in your need.
- 6.When you have the USBC and SDC card insert this unit at the same time, the last insert USBC or SDC card is preferred

C.BLUETOOTH

1. When the equipment without inserting, Open the power switch on the radio, push the switch function to BT position, current state of bluetooth, a voice prompt at this time “waittine for the pairing”
2. Open the phone bluetooth search bluetooth devices, When the search is completed, the display of the equipment list select "BT01"

3. According to the equipment prompts "yes" or "confirmation" button to confirm matching, a voice prompt "bluetooth pairing success" (bluetooth pairing success) to match at this time.
4. After the connection is successful, open the music player, can play the music in the equipment
5. In the process of play, press the radio and equipment in the button, play and pause button can be used.
6. In the process of play, according to the radio on PREV can skip to last song, according to the radio NEXT can skip to the NEXT song.

D. Will switch to USBC/BT location function, and then other audio output into the AUX socket, can send out a sound external input.

E. This machine can be connected computers when sound card effect, a card reader function. Use USBC line to the machine connected to the computer USBC socket, open a computer music player, can use this machine selection play computer audio files.

F. The main properties and the index

1. frequency range: AM:530-1600 KHz
FM:88-108 MHz
SW1-2:5.0-19.0 MHz

Max output power:5W

2. POWER SUPPLY: DC:6V(UM-1X4PCS)
3. USBC/SDC card format: MP1, MP2, MP3, WAV, WMA
4. Built-in 8 v, 900 mA lead-acid battery
5. power consumption:24W

G. Eliminate doubt should note:

1. When not use, Please be sure to turn off the power switch, Otherwise discharge can damage the machine built-in battery for a long time
2. When not use, Please be sure to turn off the power switch.
3. Speakers are silent, the volume is transferred to the minimum.
4. when shall give the battery charge? When playing MP3 voice was small, off and on, this unit can from external AC built-in rechargeable battery to directly. plug in the ac can be directly to the built-in battery charging, and can play the machine, charging time 8 to 10 hours on a full charge can play continuously for 3 to 5 hours, (better off charging).
5. An external USB device can't load more than 100 ma current. Otherwise it will damage the machine.
6. Avoid lashing and falling down the unit.
7. Avoid exposure to temperature extremes, direct sunlight and moisture.
8. Avoid to use corrosive liquid to wipe surface radio player.
9. when you are not going to use the unit for along time, remove the battery to avoid damage from battery leakage and corrosion.
10. Don't to tear open machine adjust internal components parameters

FCC STATEMENT :

This device complies with Part 15 of the FCC Rules. Operation is subject to the following two conditions:

(1) This device may not cause harmful interference, and (2) This device must accept any interference received, including interference that may cause undesired operation.

Warning: Changes or modifications not expressly approved by the party responsible for compliance could void the user's authority to operate the equipment.

NOTE: This equipment has been tested and found to comply with the limits for a Class B digital device, pursuant to Part 15 of the FCC Rules. These limits are designed to provide reasonable protection against harmful interference in a residential installation. This equipment generates uses and can radiate radio frequency energy and, if not installed and used in accordance with the instructions, may cause harmful interference to radio communications. However, there is no guarantee that interference will not occur in a particular installation. If this equipment does cause harmful interference to radio or television reception, which can be determined by turning the equipment off and on, the user is encouraged to try to correct the interference by one or more of the following measures:

- Reorient or relocate the receiving antenna.

- Increase the separation between the equipment and receiver.

- Connect the equipment into an outlet on a circuit different from that to which the receiver is connected.

- Consult the dealer or an experienced radio/TV technician for help.

RF warning statement:

The device has been evaluated to meet general RF exposure requirement. The device can be used in portable exposure condition without restriction.