

PROPRIETARY NOTICE: This document contains proprietary information of AAT Inc. neither the document nor said proprietary information shall be published, reproduced, copied, disclosed or used for any purpose other than consideration of this document without the express written permission of a duly authorized representative of said Company.

REVISIONS			
SYM	DESCRIPTION	DATE	APPROVED
B	REVISE PER ECO 8285	07/02/08	

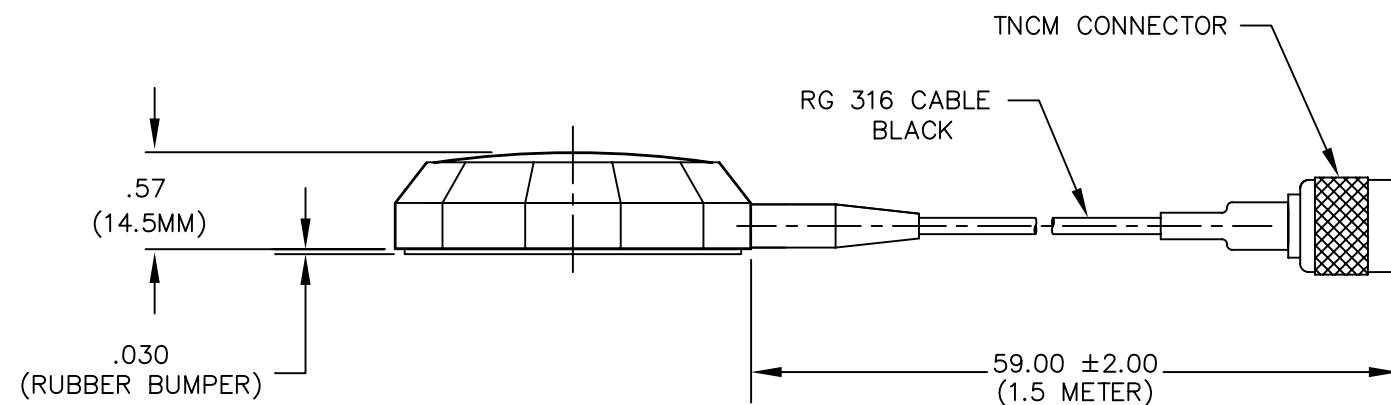
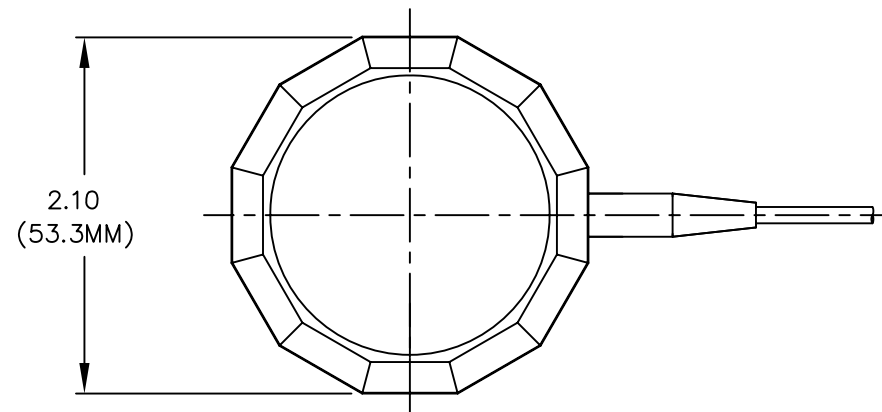
NOTES: UNLESS OTHERWISE SPECIFIED

- TOLERANCES: .XX = ±.03
.XXX = ±.010

LABEL SIZE, SHAPE AND CONTENTS SUBJECT TO CHANGE WITHOUT NOTICE.

SPECIFICATION:

FREQUENCY: 1616-1626 MHz
 POLARIZATION: RIGHT HAND CIRCULAR
 AXIAL RATIO: 3 dB MAX
 RADIATION COVERAGE: 4.0 dBic 0° = 0°
 0 dBic 0° < θ < 60°
 -4.0 dBic 60° ≤ θ ≤ 74°
 -7.5 dBic 74° < θ ≤ 82°
 IMPEDANCE: 50 OHMS
 VSWR: ≤2.0:1
 WEIGHT: 3.7 OUNCES
 MATERIAL: RADOME-XENYOY, HIGH IMPACT & TEMP.
 ALTITUDE: 20,000'
 OPERATING TEMP: -40°C TO +85°C



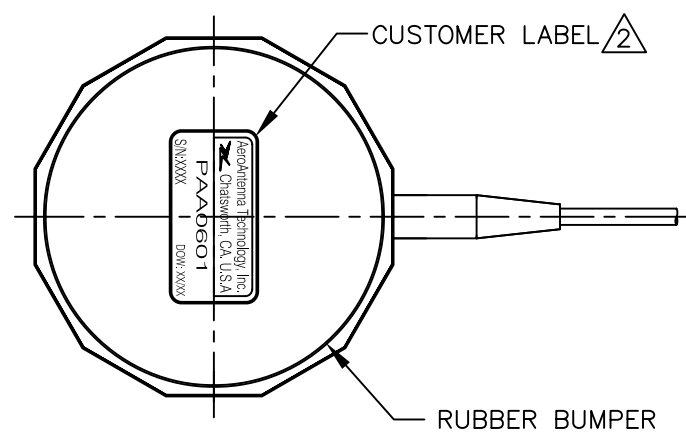
PART NO. DESIGNATION:

AT1621-7IB-TNCM-059-00-00-IM-R

CUSTOMER: I = IRIDIUM SATELLITE LLC
 COLOR: B = BLACK
 CONNECTOR: TNCM = TNC MALE
 CABLE LENGTH: 059 = IN INCHES

RoHS: R = RoHS COMPLIANT
 MAGNET: IM = INTERNAL
 GAIN (± 2 db): 00 = PASSIVE
 VOLTAGE: 00 = PASSIVE

STANDARD MODEL= AT1621-7IB-TNCM-059-00-00-IM-R



DO NOT SCALE THIS DRAWING		DRAWN	02/13/06	 AS9100 CERTIFIED CO.	
REMOVE BURRS AND BREAK SHARP EDGES:		A. DEVERA	03/07/06		
PART TO BE CLEAN AND OIL FREE		CHECKED	03/07/06	TITLE IRIDIUM ANTENNA, RoHS COMPLIANT	
ALL DIMENSIONS ARE IN INCHES		E. ZELAYA	03/02/06		
DIMENSIONING & TOLERANCING PER ASME Y14.5M-1994		ENGR	03/07/06	SIZE B	
TOLERANCES:		A. DEVERA	03/06/06		
.XX = ±.01 FRACT = ±1/32		MFG	03/07/06	CAGE CODE OUVG2	
.XXX = ±.005 ANG. = ±1/2°		Q.A.	03/02/06	DRAWING NO. AT1621-7I	
✓ SURFACE ROUGHNESS MACHINED PARTS V63 MOLDED PARTS V32		B. RUBENI	03/02/06	REV B	
HOLE DIA. TOLERANCE		APPROVED		SCALE NONE	
.0135 - .125 +.001/-001		G. SHAR		I: \CAD\AT1621\ -07I\AT1621-7I_B	
.126 - .250 +.005/-001		DRAWN IN	ACAD	SHEET 1 OF 1	
.251 - .500 +.006/-001					
.501 - .750 +.008/-001					

AT1621-7I