



Roomba

...smart
...simple
...clean

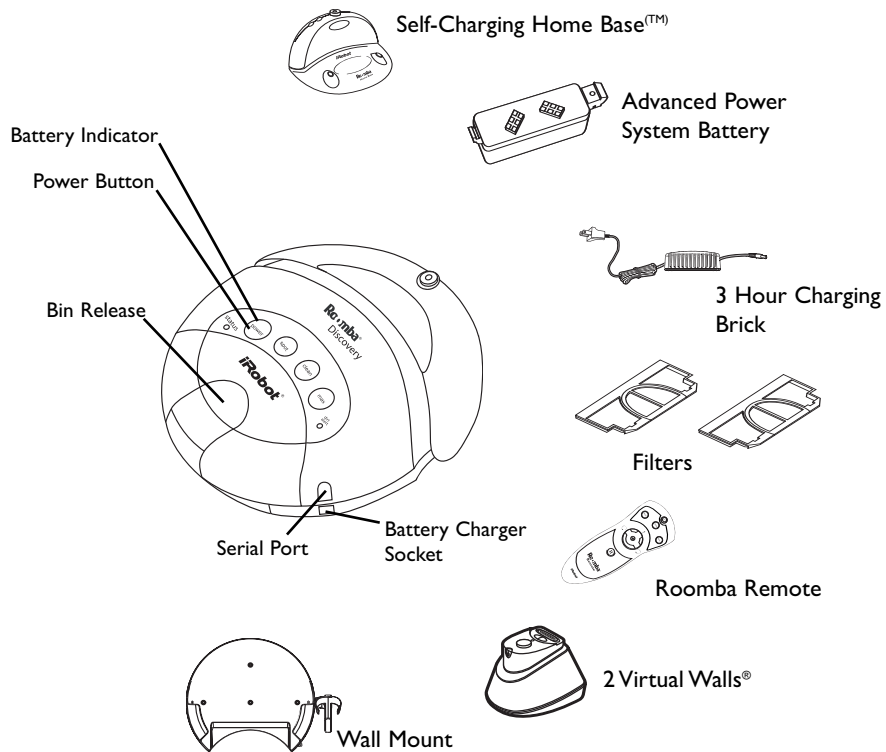


User Manual

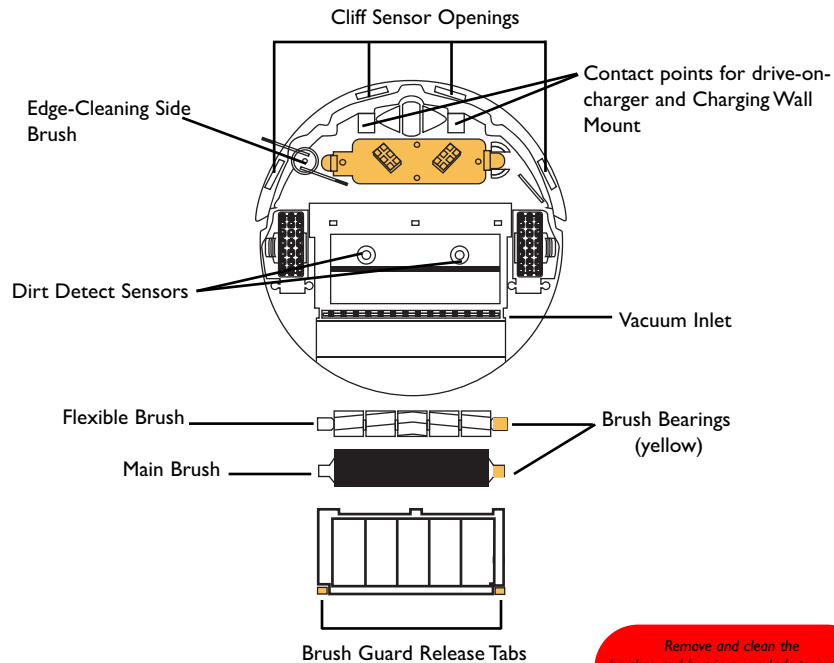
Table of Contents

Roomba Anatomy.....	page 2-3
Charging Roomba.....	page 4
Cleaning with Roomba.....	page 5
Roomba Features.....	page 6-7
Roomba Maintenance.....	page 8-9
Using Roomba Accessories.....	page 10-14
Frequently Asked Questions.....	page 15
Contact iRobot Corporation.....	page 16

Roomba Anatomy

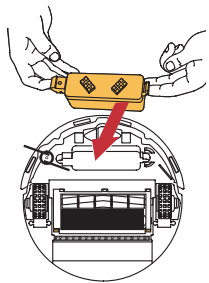


Roomba Anatomy



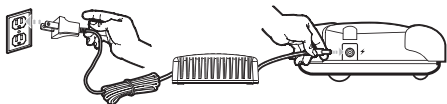
Remove and clean the brushes and bearings regularly to ensure optimal cleaning performance. See pg. 8

Charging Roomba



You need to charge Roomba before cleaning for the first time.

- 1 Place APS battery into Roomba Robotic Floorvac. Press down on both ends.



- 2 Plug the charger directly into Roomba or place Roomba on the Home Base while the Base is plugged in. (See page 12)

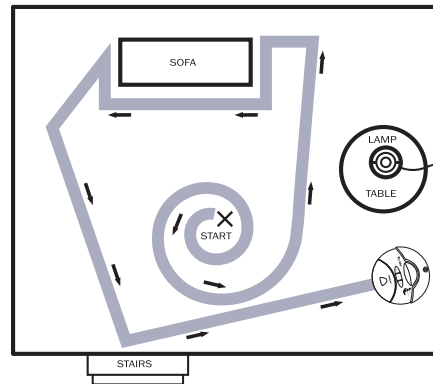
Color of Battery Indicator	Battery Status
Pulsing Amber	Charging
Green	Fully Charged
Amber	Partially Discharged
Red	Almost Fully Discharged
Flashing Red	Fully Discharged

- 3 Charge for 3 hours.
- 4 Power light will turn solid green to indicate a full charge.
- 5 Unplug the charger and press clean or just press clean if Roomba is on the Home Base.
- 6 Roomba will run for up to 120 minutes on hard floors. Run times may vary based on floor surface.

For best battery performance, always keep Roomba plugged in or on the Home Base when not in use.

Cleaning with Roomba

Cleaning Pattern



Before cleaning with Roomba, clear the floor of loose objects. If you don't vacuum over it, don't use Roomba over it (e.g., rug tassels, power and blind cords).

Roomba will clean based on the cleaning mode you select. Roomba has three cleaning modes:

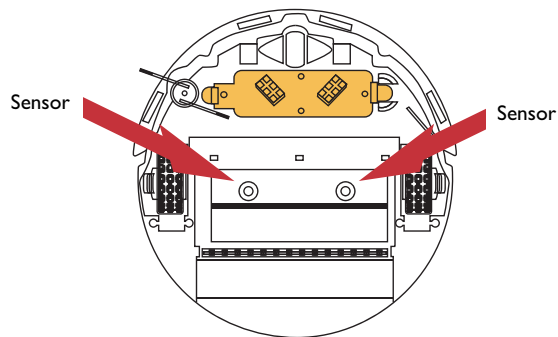
Clean mode - Roomba automatically calculates the room size and adjusts its cleaning time appropriately. Roomba may clean for up to 60 minutes.

Max mode - Roomba will run until its battery is nearly depleted, up to 120 minutes and will then return to the Home Base.

Spot mode - Roomba will spiral approximately 3 feet in diameter and then spiral back to where it started, intensely cleaning a localized area.

You can use a Virtual Wall to block off areas you don't want Roomba to enter. (See page 10)

Roomba Features



Dirt Detect Mode

Roomba features the ability to clean more intensely in dirty areas. When Roomba finds a particularly dirty area you will see the blue Dirt Detect light come on and Roomba will change its cleaning pattern.

Roomba uses two sensors to recognize the dirtiest areas. To ensure optimal performance, you may want to periodically wipe the sensors with a dry cloth. Roomba will sense heavy debris like pepper, sand, and rice. Roomba will not sense pet hair or dust, but will pick them up.

Roomba Features

Mission Status:

At the end of a cleaning mission, Roomba will tell you if it has successfully completed its mission.

Roomba Stops for 3 reasons

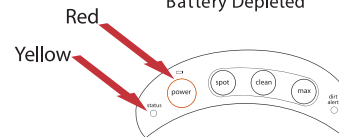
Mission Complete



Mission Abandoned



Battery Depleted

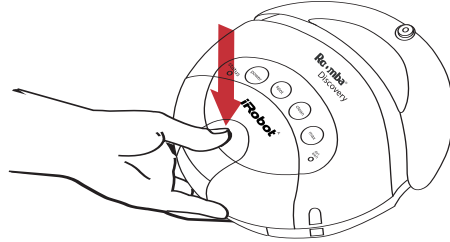


If Roomba's mission is abandoned, always make sure the brushes and bearings are clean.

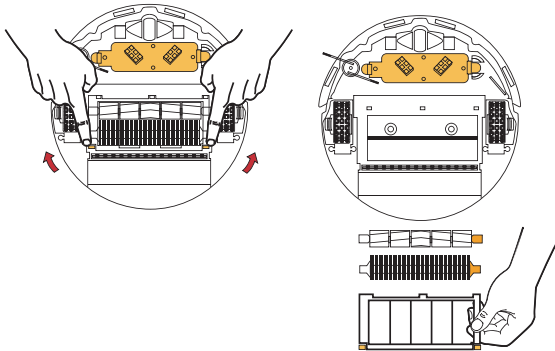
Roomba Maintenance

There are a few things you can do to keep Roomba running at peak performance.

- 1 Empty the bin over trash barrel after each use.



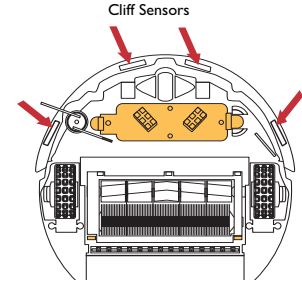
- 2 Remove and clean the brushes every 5 uses.



8

Roomba Maintenance

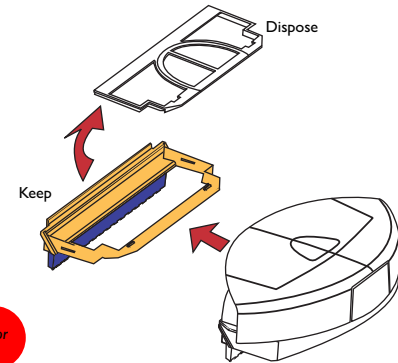
- 3 Empty the filter compartment after each use.



- 4 Inspect & clean sensors.
(when you clean brushes)

- 5 Inspect the vacuum inlet and clean debris as needed.

- 6 Periodically change Roomba's filter:

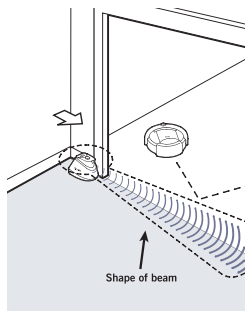


Periodically clean the sensors with cotton swabs or compressed air.

9

Roomba Accessories

Virtual Wall

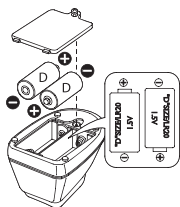


Virtual Walls create a keyhole shaped area that Roomba will not enter. Virtual Walls are great for keeping Roomba in or out of rooms, or away from cords and other spots you don't want Roomba to clean.

Virtual Walls will automatically shut off after approximately 130 minutes.

You can set Virtual Walls to block areas up to 13 feet wide. Remember, at 13 feet, the far end of the beam will be very wide.

Virtual Walls create an infrared signal similar to that of the Home Base and Roomba Remote. **DO NOT** set up Virtual Walls near the Home Base or Roomba will see multiple IR signals and will not dock.



Roomba Accessories

Roomba Wall Mount

You can store Roomba in your Wall Mount. Follow the instructions below to install.



Figure 1: Use a level when placing wall mount against surface



Figure 2: Mark the holes with a pencil/pen



Figure 3: Drill holes

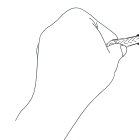


Figure 4: Insert plastic wall insert into pre-drilled holes



Figure 5: Screw in 1 1/2 screws into plastic wall inserts

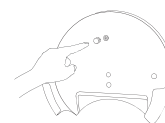


Figure 6: Cover with screw covers



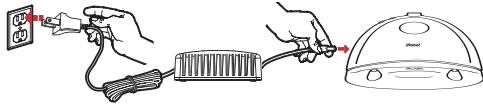
Figure 7: Install remote caddy

You can also charge Roomba while it is in the Wall Mount.



Roomba Accessories

Home Base



Roomba will return to the Home Base at the end of a cleaning cycle or when its battery is running low. Roomba needs to find the infrared signal of the Home Base in order to return.

Always keep the Home Base plugged in.

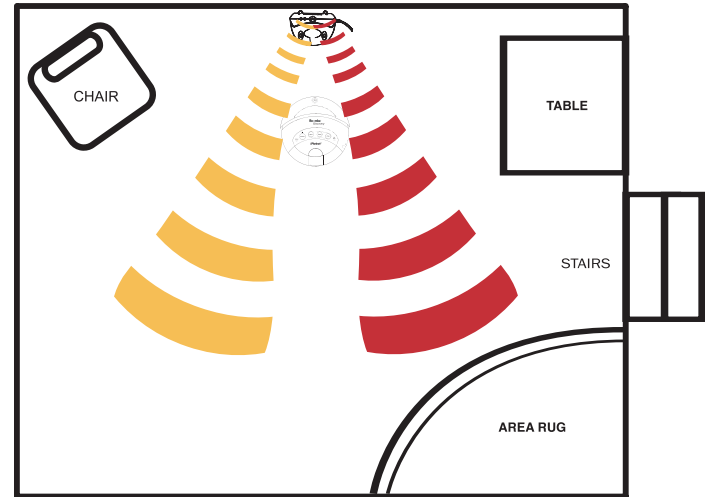
Be sure to keep your Home Base on a hard level surface and in an area where Roomba has a clear path to the dock so Roomba can return at the end of a cleaning cycle.

To manually dock Roomba, place it within 5 feet of the Home Base and press “Spot” and “Clean” simultaneously, or just drive Roomba near the Home Base with the remote, Roomba will dock automatically.

The Roomba Remote, Virtual Wall, and Home Base all operate using an invisible infra red technology. If they are all used in the same area, Roomba may see multiple infra red signals and not operate. Roomba WILL NOT dock if you have a Virtual Wall near the Home Base.

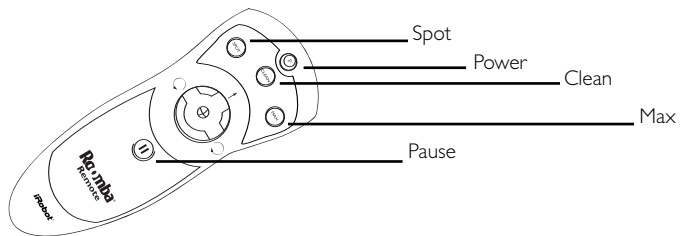
Roomba Accessories

Ideal Home Base setup



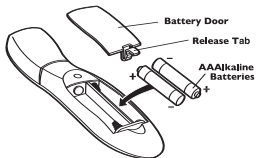
When placing Roomba on the Home Base, both green LED's on the base must be illuminated or Roomba will not charge.

Roomba Remote



The Roomba Remote lets you turn Roomba on and off and drive it around, all without bending down.

Remember to install batteries in your remote. To use the remote, you need to point it directly at Roomba.



Send Roomba to the Home Base with the Remote just by driving in the front of the Home Base. Roomba will see the Home Base and return automatically.

To drive forward press and hold the up button, to stop release the button. You can also use the pause button to stop Roomba. To restart, press pause again and Roomba will continue on its mission. To start a new mission, press CLEAN.

The Roomba Remote, Virtual Wall, and Home Base all operate using an invisible infra red beam. If they are all used in the same area, Roomba may see multiple infra red signals and will not operate. The Remote WILL NOT work near Virtual Walls.



When you push a button on the remote, you should see the green light come on to indicate that you are sending information to the robot.

Frequently Asked Questions

What can I do if Roomba's battery does not seem to be charging?

If Roomba's battery is not charging, you should first make sure it is properly seated in Roomba. When you insert the battery, you should hear two clicks. Then confirm that the green light on the charging "brick" is a solid green and that the power indicator light is pulsing. If Roomba is not charging on the Home Base, try charging Roomba by plugging the charger directly into the robot. If this does not work, call customer service at 877-855-8593.

What should I do if Roomba repeatedly starts and stops, or just spins in place?

If Roomba is repeatedly starting and stopping, or just spinning in place, you may have a blocked cliff sensor. Try cleaning the cliff sensors, located under the bumper; with a Q-tip or compressed air. You also should remove and clean Roomba's brushes and brush bearings.

What can I do if Roomba is cleaning longer than I'd like in a particular room?

Roomba automatically calculates room size and run time based on a number of factors. Roomba will clean for longer in rooms with more debris and furniture. Roomba also spends a little bit longer cleaning rugs than hard floors. In an empty 8x10 room with hard floors, Roomba will clean for approximately 20 minutes. Removing obstacles from a room will decrease the amount of time Roomba needs to spend in a room.

What can I do to help Roomba get back to the Home Base?

The Home Base creates an infrared "beam" that Roomba needs to find in order to return successfully. You should make sure that the Home Base is plugged in, the power light is on, and the base is on a flat, level surface. Do not use any Virtual Walls near the Home Base, the Virtual Walls use an infrared signal similar to that of the Home Base that may prevent Roomba from successfully docking. If you have a particularly large home, Roomba may have trouble finding the Home Base at the end of a cleaning cycle. If it does, try repositioning the Home Base.

For a complete list of Frequently Asked Questions, visit our website at www.irobot.com.

The Roomba Robotic Floorvac is easy to use,
but under the hood it's a complex robot. We're
Roboticians, your retailers are not. If you have
questions or comments, we're anxious to help,
please visit us at
www.irobot.com
or
call 877-855-8593