



# I-210+ NIC and Meter Labeling Product Requirements

Document Number 340-048002

VERSION	DATE	AUTHOR	REVISIONS
1.0	4/13/07	B. Gilbert	Initial version
1.1	5/14/07	B. Gilbert	Change incorporates EUI-64 addressing
1.2	8/4/2009	K. Thompson	Updated for SoC board and FCC IDs

# 1 Introduction

The I-210+ NIC is a FCC Part 15.247 compliant device that enables communication between Silver Spring Networks AMI network and the I-210+ family of meters. The NIC transmits in the 902 to 928 MHz, ISM band and transfers data from utility meter to Silver Spring Networks Relays and Gateways.



## 1.1 References

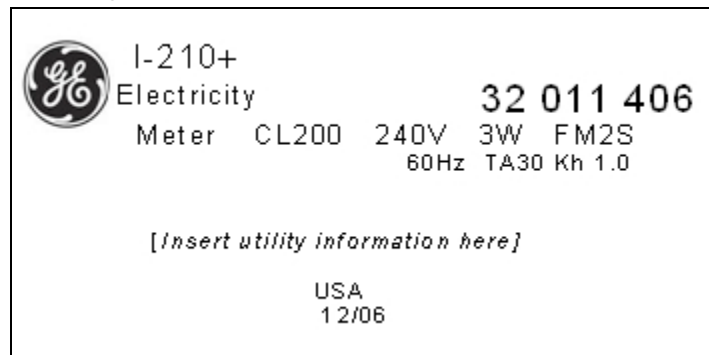
- Guidelines for use of a 64-bit Extended Unique Identifier (EUI-64), IEEE Publication.

# 2 Meter Labeling

## 2.1 Meter Nameplate

The meter nameplate shall not contain information pertaining to the Silver Spring Networks radio.

Figure 1 - Example of Meter Nameplate Label



## 2.2 Meter Auxiliary Label or NIC Address Label

For radio identification, the I-210+ meter shall have an auxiliary label containing the Silver Spring Networks NIC address presented in text (16 alphanumeric digits) and barcode formats.

- Bar Code Type = Code 3 of 9
- Bar Code Font Size = unknown
- Font Type = unknown
- Font Size = unknown
- Bar Code Label Dimensions = 1.50" x 0.25"
- Bar Code Material Type = Static Dissipative Polyimide

The following figure is an example of the NIC address label, which is consistent with FCC requirements set forth in section 4.1, and contain the Silver Spring Networks corporate name and NIC EUI-64 address.

Figure 2 - Example of NIC Address Label

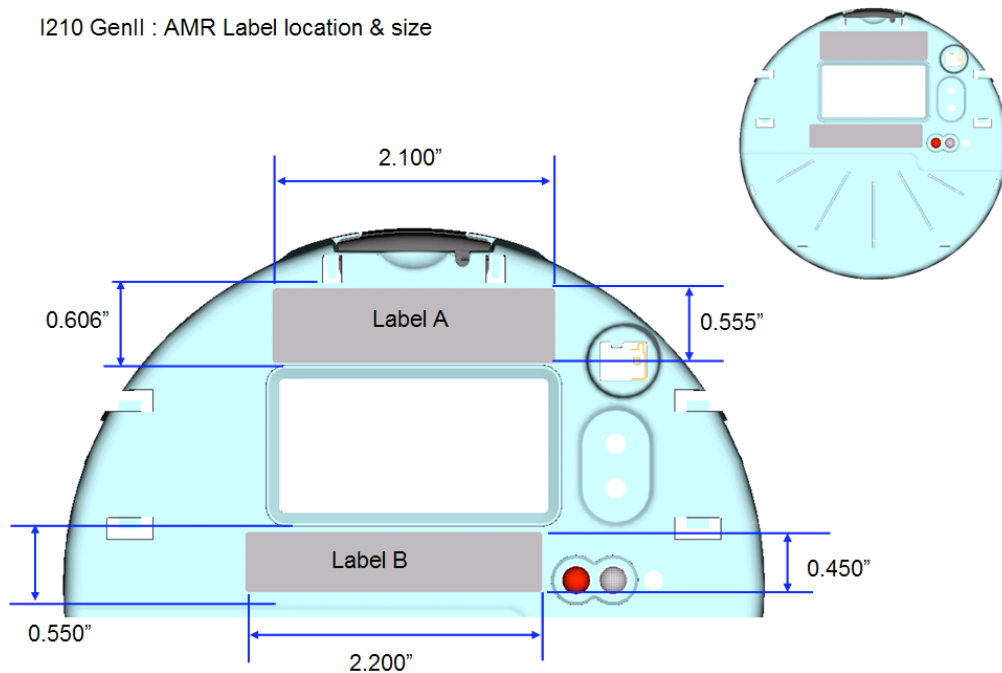


The NIC address label shall be placed on the meter nameplate in the location identified by "Label A" in the following figure.

NOTE: "Label B" location is not used.

Figure 3 - Nameplate NIC Address Locations

I210 GenII : AMR Label location & size



### 3 NIC Labeling

The SSN I-210+ NIC has two labels relevant to meter final assembly and RMA - the FCC & GE Part Number label and the SSN NIC Address label. Both labels are located on the top side of the NIC PCA. The barcode format is Code 3 of 9.

Figure 4 is an example of the FCC ID label that can be found in the location indicated in Figure 6. The size of the label is 1.5" x 1.0" inches. The barcode format is Code 3 of 9.

Figure 4 - FCC ID Label for NIC PCA

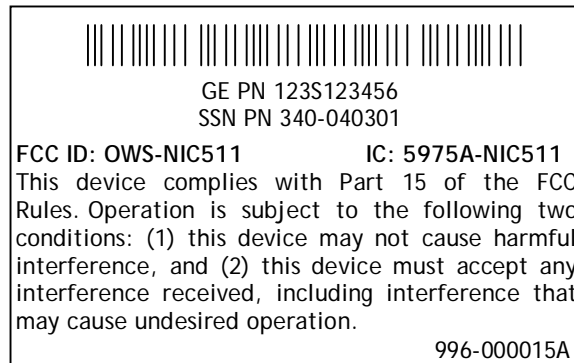


Figure 5 Figure 1 is an example of the NIC address label that can be found in the location indicated in Figure 6. The barcode format is Code 3 of 9.

Figure 5 - NIC Address Label for NIC PCA



I-210+ NIC and Meter Labeling  
Product Requirements

Figure 6 - Label Locations on Top Side of I-210+ NIC PCA

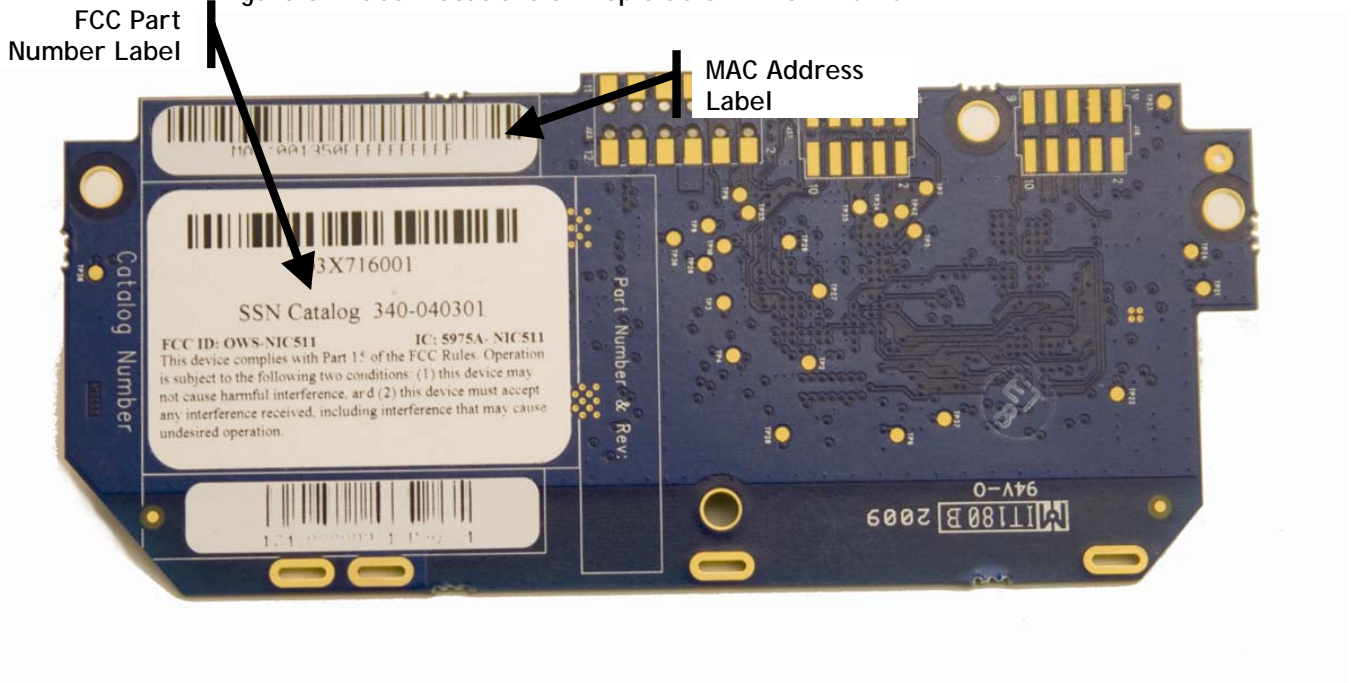
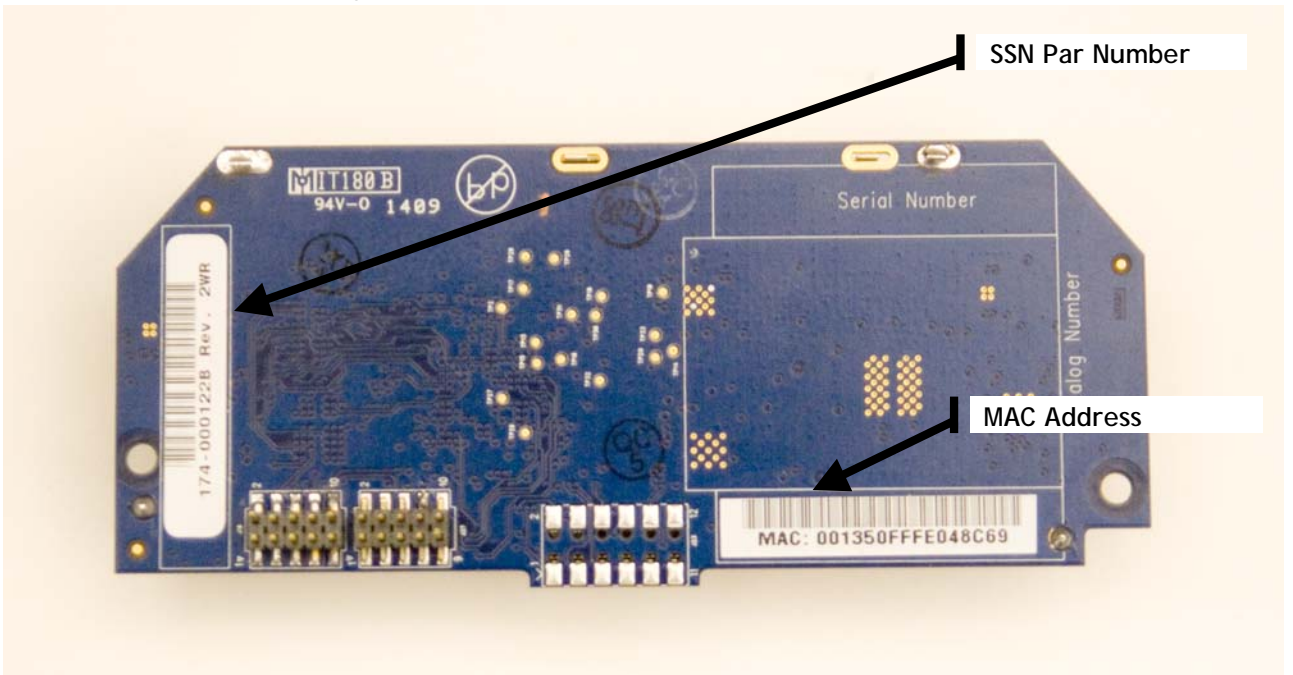


Figure 7 - Bottom Side of I-210+ NIC PCA



## 4 FCC and Government Guidelines

Silver Spring Networks NIC  
FCC ID: OWS-NIC507 IC: 5975A-NIC507

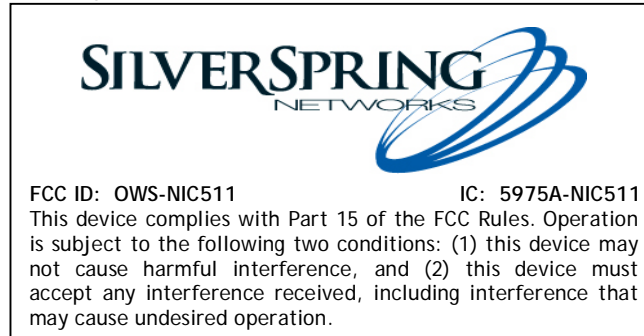
## I-210+ NIC and Meter Labeling Product Requirements

The I-210+ NIC is REQUIRED to be professionally installed by a properly trained technician. Improper installation could void the user's authority to operate the equipment.

The device complies with Part 15 of the FCC rules. Operation is subject to the following two conditions:

1. The device may not cause harmful interference.
2. The device must accept any interference received, including interference that may cause undesired operation.

Figure 8 - Sample FCC ID Label for NIC PCA



**NOTE: For FCC compliance, the following text MUST be included in I-210+ and I-210+c meter manuals and user's guides.**

The antenna of this transmitter must not be co-located or operating in conjunction with any other antenna or transmitter.

The device should be installed so that people will not come within 20 cm (8 in.) of the antenna.

This equipment has been tested and found to comply with Part 15 of the FCC Rules. This equipment generates, uses and can radiate radio frequency energy, and if not installed and used in accordance with the instructions, may cause harmful interference to radio communications. However, there is no guarantee that interference will not occur in a particular installation. If this equipment does cause harmful interference to radio or television reception, which can be determined by turning the equipment off and on, the user is encouraged to try to correct the interference by one or more of the following measures:

- Reorient or relocate the receiving antenna.
- Increase the separation between the equipment and receiver.
- Connect the equipment into an outlet on a circuit different from that to which the receiver is disconnected.
- Consult the dealer or an experienced Radio/TV technician for help.

*CAUTION: Changes or modifications not expressly approved by Silver Spring Networks could void the user's authority to operate the equipment.*

## 4.1 FCC Guidelines for Devices Containing a Transmitter Module

The following is an extract from FCC PART 15 UNLICENSED MODULAR TRANSMITTER APPROVAL, DA 00-1407, Released: June 26, 2000, Section 6 describing labeling requirements for devices containing a modular transmitter.

Section 6. The modular transmitter must be labeled with its own FCC ID number, and, if the FCC ID is not visible when the module is installed inside another device, then the outside of the device into which the module is installed must also display a label referring to the enclosed module. This exterior label can use wording such as the following: "Contains Transmitter Module FCC ID: XYZMODEL1" or "Contains FCC ID: XYZMODEL1." Any similar wording that expresses the same meaning may be used. The Grantee may either provide such a label, an example of which must be included in the application for equipment authorization, or, must provide adequate instructions along with the module which explain this requirement.

In the latter case, a copy of these instructions must be included in the application for equipment authorization."

Figure 9 - Sample FCC ID Label for Devices Containing a NIC



## 4.2 Safety Information

**WARNING!:** Severe shock and explosion hazard! Touching energized parts can result in massive equipment damage, and severe injury or death. Short-circuiting energized parts will result in blinding flash and explosion. Opening and closing electrical circuits can also produce dangerous and explosive arc flashes. Involuntary muscular reactions associated with electrical shock may result in other injuries. Observe the following safety guidelines.

Careful planning of every job is essential. Nothing should be taken for granted. Do not take chances!

- Read and follow all approved policies and procedures provided by your employer associated with the procedures in this manual.
- The procedures in this manual must only be performed by qualified workers in accordance with local utility safety practices, utility requirements, and applicable OSHA and NFPA standards.
- The information contained in this document is intended to aid qualified personnel, and is not a replacement for the proper training required to make a person qualified.
- Silver Spring Networks assumes no liability for the customer's failure to follow these safety guidelines.

## 4.3 General Electrical Safety

- Perform the procedures in this manual in accordance with applicable workplace standards established by the following agencies:
  - Occupational Safety and Health Act (OSHA).
  - The National Electrical Code published by the National Fire Protection Association (NFPA-70).
  - National Electrical Manufacturers Association (NEMA).
  - Electronics Industries Association (EIA).
  - Insulated Power Cable Engineers Association (IPCEA).
- American National Standards Institute (ANSI). Whenever possible, de-energize all circuits or equipment before working on them.
- Maintain a minimum clearance of 10 ft. between line potential and all unqualified persons at all times.
- Keep unauthorized people out of the work area. Be especially cautious of children, who tend to be drawn to work activity.
- Determining if a circuit is OFF can be difficult in some instances. Check for circuit voltage with an appropriate voltmeter before working on equipment presumed to have been de-energized. Tiebreakers, double throw disconnect switches, automatic transfer switches and emergency generators can supply power through an alternate circuit or from another source.
- 120V current can be just as lethal as higher voltages because current flow through a body depends upon the body's resistance.
- Do not trust insulation and/or weatherproofing on a wire as protection from shock.
- Use electrically insulated tools. Inspect portable electrical equipment or tools for defects and remove any defective devices from service immediately. All portable electrical equipment must have Ground Fault Circuit Interrupter (GFCI) protection.
- Select the right tool for the job. Use tools properly. Keep tools in good working order.
- Make sure the work area is free of any flammable material. Flammable vapors can be ignited by an arc flash.
- Keep the work area clean and dry. Cluttered work areas cause accidents and injuries.
- Provide good lighting in the work area. You cannot work safely if you cannot see what you are doing.
- Report unsafe conditions or defective equipment to your immediate supervisor.
- Handle material carefully. Lift and carry properly.

## 4.4 Personal Protective Equipment (PPE)

- Always wear Personal Protective Equipment (PPE), in accordance with OSHA and ANSI standards.
- Wear eye protection and electrically insulated gloves. Test gloves in accordance with ANSI standards before use. Do not use gloves that do not pass appropriate test procedures.
- Wear protective clothing such as long sleeve shirts and long pants made of flame resistant materials.
- Remove all jewelry.
- Do not pass any objects to or from other persons not protected by insulating platforms or tested, electrically insulated gloves.

## 4.5 Fall Protection

When performing work at any elevation:



## I-210+ NIC and Meter Labeling Product Requirements

- Always use a fall protection system, in accordance with OSHA standards, whenever performing work at any elevation.
- Never use conductors, guy wires, pins, or cross-arm braces, etc. to support your weight.
- Whenever using aerial lift devices such as hoists, man-lifts, vehicle-mounted work platforms and overhead lifts, read and follow the manufacturer's guidelines for safe and proper operation.
- Use ladders and scaffolding only in accordance with the manufacturer's guidelines and/or according to OSHA standards.
- Only use ladders made of non-metallic, non-conductive material. They should be the proper size and type for the work intended. Inspect ladders for wear and breakage. Remove any oil, grease, or other slippery materials.
- Do not set the ladder at too steep or too shallow of an angle. A rule of thumb is to stand erect with your toes against the bottom rails of the ladder, with your arms extended straight out. If you can set your palms on top of the rung that is at eye level, the ladder should be at the proper angle. If a ladder angle label is provided, follow its recommendations.
- If the ladder is to remain in place for an extended period, secure it at the top. The support point at the top of the ladder should be at least 24 inches (60 centimeters) wide to maintain support in the event of sideways movement. For jobs of short duration, have a fellow worker support the ladder at the base.
- Evaluate all tasks to be performed from a ladder for potential fall hazards, such as complex tasks or situations that require leaning from the side of the ladder.
- The use of scaffolding or a work platform should be considered as an alternative solution in such cases.

## 4.6 Shock Accident First Aid

- Do not touch the victim with your bare hands; use something non-conductive to separate the victim from the energy source.
- Call for emergency medical help immediately. Keep the victim lying down, warm, and comfortable until help arrives. Avoid moving the victim in case of injury to neck or back. Position an unconscious victim on a side to let fluids drain.
- Check the victim's breathing and heartbeat. If properly trained, apply mouth-to-mouth resuscitation and/or CPR if necessary.
- Remove constricting items from the victim, such as shoes, belts, jewelry, and tight collars; they could cut off circulation if the victim experiences swelling.
- Apply water or saline for a few minutes to any burns until the skin returns to normal temperature. Do not attempt to remove clothing that is stuck to a burn. If possible, elevate burned areas to reduce swelling.
- Make sure the victim receives professional medical attention, even if they feel fine. Electric shock can cause heart failure hours after the shock is received.