



OpenWay® Riva Routing Node ERT Gateway Installation Guide

Identification

OpenWay® Riva Routing Node-ERT Gateway Installation Guide

25 January 2018

TDC-1744-000

Copyright

© 2018 Itron, Inc. All rights reserved.

Confidentiality Notice

The information contained herein is proprietary and confidential and is being provided subject to the condition that (i) it be held in confidence except to the extent required otherwise by law and (ii) it will be used only for the purposes described herein. Any third party that is given access to this information shall be similarly bound in writing.

Trademark Notice

Itron is a registered trademark of Itron, Inc.

All other product names and logos in this documentation are used for identification purposes only and may be trademarks or registered trademarks of their respective companies.

Suggestions

For more information about Itron or Itron products, see www.itron.com.

If you have questions or comments about the software or hardware product, contact Itron Technical Support Services.

Contact

- Email: support@itron.com
- Internet: support.itron.com
- Telephone Itron Technical Support North America: 1-877-487-6602

For technical support contact information by region, go to www.itron.com and select your country and language.

Contents

- Chapter 1 Important Safety and Compliance Information..... 1**
 - USA, FCC Part 15 compliance..... 1
 - Canada, ISED compliance..... 2
 - RF Exposure (FCC/ISED)..... 2
 - Electromagnetic compatibility..... 2

- Chapter 2 Getting Started: OpenWay® Riva Routing Node-ERT Gateway.... 3**
 - ERT Gateway related documents..... 3
 - Installation location information..... 4
 - ERT Gateway components..... 4
 - ERT Gateway housing..... 5
 - ERT Gateway antennas..... 6

- Chapter 3 Planning an ERT Gateway Installation..... 7**
 - Installation profiles..... 7
 - Siting the ERT Gateway..... 7
 - Propagation study for the ERT Gateway installation site 8
 - AC power requirements..... 8
 - AC mains power..... 8
 - Mounting hardware requirements..... 9

- Chapter 4 Installing the ERT Gateway..... 10**
 - Installation overview..... 10
 - Mounting the ERT Gateway antennas..... 10
 - Attaching the standard 915MHz ERT antenna..... 10
 - Attaching the SNIC antenna..... 12
 - Mounting the ERT Gateway..... 12
 - Mounting hardware..... 13
 - Mounting the ERT Gateway on a pipe..... 14
 - Mounting the ERT Gateway on a pole..... 15
 - Mounting the ERT Gateway on a davit arm..... 16
 - Connecting the ground wire..... 17
 - Connecting the ERT Gateway power..... 17
 - Connecting the power cable..... 18
 - ERT Gateway wiring diagram..... 18

- Chapter 5 OpenWay Riva Routing Node Communications Software..... 20**

- Appendix A ERT Gateway Specifications..... 21**
 - Dimensions and weight..... 21
 - Antenna specifications..... 21
 - Environmental specifications..... 22
 - ERT Gateway power operating range..... 22

Chapter 1 Important Safety and Compliance Information

This section provides important information for your safety and product compliance.

USA, FCC Part 15 compliance

This device complies with Part 15 of the FCC Rules. These limits are designed to provide reasonable protection against harmful interference in a residential installation.

Operation is subject to the following two conditions:

- This device may not cause harmful interference.
- This device must accept any interference that may cause undesirable operation.

This device must be installed to provide a separation distance of at least 20 centimeters (7.9 inches) from all persons to be compliant with regulatory RF exposure.

USA, FCC Class B-Part 15

This equipment has been tested and found to comply with the limits for a Class B digital device, pursuant to Part 15 of the FCC Rules. These limits are designed to provide reasonable protection against harmful interference in a residential installation. This equipment generates, uses, and can radiate radio frequency energy and, if not installed and used in accordance with the instructions, may cause harmful interference to radio communications. However, there is no guarantee that interference will not occur in a particular installation. If this equipment does cause harmful interference to radio or television reception, which can be determined by turning the equipment off and on, the user is encouraged to try to correct the interference by one or more of the following measures:

- Reorient or relocate the receiving antenna.
- Increase the separation between the equipment and receiver.
- Connect the equipment into an outlet on a circuit different from that to which the receiver is connected.
- Consult the dealer or an experienced radio or TV technician for help.

Modifications and Repairs

To ensure system performance, this device and antenna shall not be changed or modified without the express approval of Itron. Per FCC rules, unapproved modifications or operation beyond or in conflict with these instructions for use could void the user's authority to operate the equipment.

Canada, ISED compliance

Compliance Statement Canada

This device complies with Innovation, Science and Economic Development Canada (ISED) license-exempt RSS standard(s). Operation is subject to the following two conditions: (1) this device may not cause interference, (2) this device must accept any interference, including interference that may cause undesired operation of the device.

Under Innovation, Science and Economic Development Canada (ISED) regulations, this radio transmitter may only operate using an antenna of a type and maximum (or lesser) gain approved for the transmitter by Industry Canada. To reduce potential radio interference to other users, the antenna type and its gain should be so chosen that the equivalent isotropically radiated power (e.i.r.p.) is not more than that necessary for successful communication.

Déclaration de Conformité

Le présent appareil est conforme aux CNR d'Industrie Canada applicables aux appareils radio exempts de licence. L'exploitation est autorisée aux deux conditions suivantes: (1) l'appareil ne doit pas produire de brouillage, (2) l'utilisateur de l'appareil doit accepter tout brouillage radioélectrique subi, même si le brouillage est susceptible d'en compromettre le fonctionnement.

Conformément à la réglementation d'Industrie Canada, le présent émetteur radio peut fonctionner avec une antenne d'un type et d'un gain maximal (ou inférieur) approuvé pour l'émetteur par Industrie Canada. Dans le but de réduire les risques de brouillage radioélectrique à l'intention des autres utilisateurs, il faut choisir le type d'antenne et son gain de sorte que la puissance isotrope rayonnée équivalente (p.i.r.e.) ne dépasse pas l'intensité nécessaire à l'établissement d'une communication satisfaisante.

RF Exposure (FCC/ISED)

This equipment complies with radiation exposure limits set forth for an uncontrolled environment. This equipment should be installed and operated with minimum distance 20 cm between the radiator and your body. This transmitter must not be co-located or operating in conjunction with any other antenna or transmitter.

Cet équipement est conforme aux limites d'exposition aux radiations dans un environnement non contrôlé. Cet équipement doit être installé et utilisé à distance minimum de 20 cm entre le radiateur et votre corps. Cet émetteur ne doit pas être co-localisées ou opérant en conjonction avec tout autre antenne ou transmetteur.

Electromagnetic compatibility



Caution: Use only approved accessories with this equipment. All cables must be high quality, shielded, and correctly terminated. Unapproved modifications or operation beyond or in conflict with these use instructions may void the authority's authorization to operate the equipment.

Chapter 2 Getting Started: OpenWay® Riva Routing Node-ERT Gateway

The OpenWay Riva Routing Node-ERT Gateway provides a unified means of reading Itron 100G series and 100W series devices over an IPv6 network. The OpenWay Riva Routing Node ERT Gateway can be deployed in one of two network configurations designated in the firmware. The ERT Gateway Star operates over a Star network to collect the Itron 100 Series gas and water ERT module reads.

Note: The ERT Gateway does not support 100W Series modules operating in Extended Range Mode (Geo Mode) or 100W+ and 100G DLS modules operating with enhanced security (ISM).

The ERT Gateway Mesh (future release) will operate over a Mesh network.

The network configuration is selected on the specification form at the time the system is ordered.

The ERT Gateway communicates directly with the Connected Grid Router (CGR). The gateway utilizes RF links with optimized modulation rates. The CGR then transmits the data to the OpenWay Operations Center (a part of the head-end system) over the utility's backhaul communication solution. The ERT Gateway's flexible design provides installation options for a variety of wall-mounted or pole-mounted locations. This flexibility provides optimal communication effectiveness and range and minimizes installation costs.

Important: Installation must be completed by professional installers to ensure trouble-free operation of the Itron OpenWay system. Follow these product installation instructions to ensure proper operation of your OpenWay Riva Routing Node ERT Gateway Star. Use the ERT Gateway shipping packaging to transport the ERT Gateway. The shipping materials protect the ERT Gateway from damage.



ERT Gateway related documents

The listed documents provide additional information for ordering and working with the OpenWay Riva Routing Node ERT Gateway Star.

| Document | Itron part number |
|--|-------------------|
| <i>OpenWay Riva Routing Node-ERT Gateway Ordering Guide</i> | PUB-1306-001 |
| <i>OpenWay Collection Manager Installation and Configuration Guide</i> | TDC-1675-XXX |

| Document | Itron part number |
|---|-------------------|
| <i>OpenWay® Operations Center Performance Manager Integration Guide</i> | TDC-1718-XXX |

Note: The -XXX refers to the revision level of the document. The revision level is subject to change without notice.

Installation location information

The ERT Gateway is designed for the listed installation locations:

- Wood, concrete, or metal utility pole
- Wall (indoor or outdoor)
- Pipe or mast (between 2 and 3.5" in diameter)
- Roof

Note: Roof installation requires a 3rd-party, non-penetrating mounting kit (for example, Tessco #461587)

- Other vertical structures

Integrated mounting and coupling brackets secure the device in high winds and under heavy ice loads. Consult a professional engineer with concerns about your ERT Gateway mounting location.

The ERT Gateway consists of several components in a single, weatherproof device. Electrical components are encased in a plastic enclosure that provides optimum safety for the installer.



Warning: In accordance with FCC rules, unapproved modifications or operation beyond or in conflict with these use instructions could void the user's authority to operate the equipment. Only authorized Itron personnel may open the ERT Gateway. Unauthorized access or modifications to the ERT Gateway will void the warranty.

ERT Gateway components

The ERT Gateway (Star) has three antennas. Two of the antennas are mounted directly on the gateway housing.

- SNIC antenna
- ERT antenna

The third antenna is the internal WiFi antenna.

Since the ERT Gateway can be installed in outdoor environments, each component of the gateway is weather-tight and able to withstand wind speeds in excess of 100 miles per hour.

Note: Review the *ERT Gateway Ordering Guide* (PUB-1306-001) for specific part numbers and component options to determine the ERT Gateway configuration.

ERT Gateway housing

The ERT Gateway housing contains the electronic components and radio boards. The radio antennas are included with the gateway and are directly mounted to the housing.

⚠ Caution: Only authorized Itron personnel may open this device. Unauthorized access or modifications to this product voids the warranty. Per FCC rules, unapproved modifications or operation beyond or in conflict with the installation instructions in this guide could void the user's authority to operate the equipment.



| Designator | Component | Description |
|------------|----------------------|---|
| 1 | ERT Gateway | The ERT Gateway processes data received through the antennas and relays it to the OpenWay Operations Center (OWOC). Only authorized Itron personnel may open this product housing. |
| 2 | ERT antenna | A 915MHz antenna that receives messages from the 100 series ERT modules in the network. The connection for this antenna is type N female. |
| 3 | ERT Gateway label | The label displays the identification number, model number, and other associated gateway information. |
| 4 | Power connector | The power connector supplies power to the ERT Gateway. A three-pin cable connects the ERT Gateway to the AC mains power supply. |
| 5 | SNIC antenna | A 915MHz antenna that provides a connection to the STAR or MESH network. The connection for this antenna is a type N female. |
| 6 | Ground lug | The ground lug is provided for utilities that require a separate earth ground. Note: When the ERT Gateway is powered from a photocell adapter cable, there is no ground connection in the cable. Use the ground lug in this configuration. |
| 7 | LED Status indicator | The status indicator displays the current operational status of the ERT Gateway. The LED indicator is located on the bottom of the housing. The list shows the LED's normal operation. <ul style="list-style-type: none"> • Unpowered (off) • Initializing (green blink) • Running (green) • Error (yellow) The LED is configurable for the following display modes: <ul style="list-style-type: none"> • None (no light) • Error only • Normal |

ERT Gateway antennas

The ERT Gateway utilizes three antennas.

- **ERT antenna** The ERT antenna is a standard, higher gain, vertically polarized antenna that mounts directly to the top of the ERT Gateway housing.



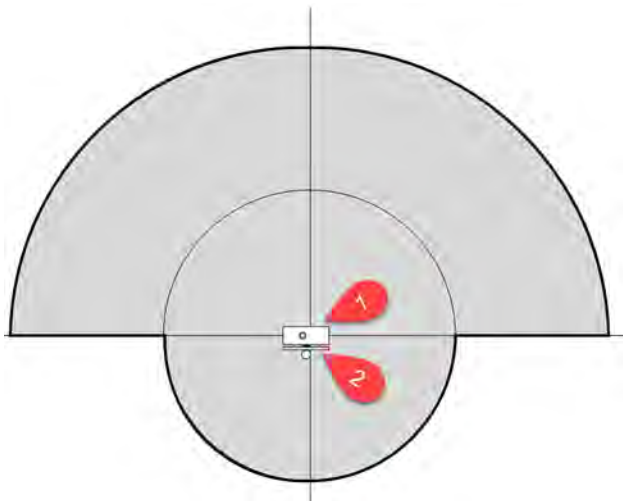
- **SNIC antenna** The SNIC antenna is a standard, lower gain, vertically polarized antenna that mounts directly to the bottom of the ERT Gateway housing to support the customer's backhaul data requirements.



Caution: This equipment has been designed and approved per FCC rules to operate with these ERT Gateway antennas. The required antenna impedance is 50 ohms. To reduce potential radio interference to other users, the antenna type and its gain were chosen so that the equivalent isotropically radiated power (EIRP) is not more than that permitted for successful communication. Antennas not approved by Itron are strictly prohibited for use with this device. Installing the OpenWay Riva Routing Node ERT Gateway with an unapproved antenna will void the product warranty and can void the user's authority to operate this equipment.

- **Internal Wi-Fi antenna**

The Wi-Fi antenna is used for local access to the device. The effective range is approximately 100 feet from the front (1) of the ERT Gateway and approximately 50 feet to the rear (2) of the device. The shown coverage area assumes the device is mounted at a height of 25 feet with a clear line-of-sight path between the ERT Gateway and the programming device. Positioning the ERT Gateway observing the coverage area guidelines ensures safe personnel positioning for device programming.



Chapter 3 Planning an ERT Gateway Installation

This chapter describes ERT Gateway installation preparation and planning.

Installation profiles

The ERT Gateway may be installed in a variety of configurations and locations (for more information, see [Installation location information](#) on page 4). Itron identified the following profiles for ERT Gateway installations.

| Location | Location description |
|-----------------------------|---|
| Utility pole | The ERT Gateway is installed on a utility pole. Mount the ERT Gateway at a minimum of 20 feet to a maximum height of 35 feet high on the utility pole for optimum reception. |
| Light pole/ street light | The ERT Gateway is installed on either a light pole or the davit arm of the street light. Mount the ERT Gateway at a minimum of 20 feet to a maximum height of 35 feet high on the light pole/street light for optimum reception. |
| Pipe or mast | The ERT Gateway is secured/installed to a pipe or fence railing (from 2 to 3.5 inches in diameter). Mount the ERT Gateway at a minimum of 20 feet to a maximum height of 35 feet high on the pipe or fence for optimum reception. |

Siting the ERT Gateway

ERT Gateways can be installed in the field on a variety of surfaces. The listed surfaces are examples of surfaces that support the ERT Gateway.

- Wooden or metal walls
- Metal pipes
- Fence railings
- Utility poles

In determining the ERT Gateway placement, observe the following primary considerations as placement best practices.

- For optimum RF reception.
- In a location where there is a power connection.
- On a structure on in a location that can physically support the weight of the ERT Gateway (and its mounting hardware).



Caution: Always get permission to install the ERT Gateway at the selected site prior to installation. If you have questions or need help, contact Itron Support.

Propagation study for the ERT Gateway installation site

Prior to the ERT Gateway field installation, contact Itron to perform a propagation study. Itron performs these tasks during the propagation study to determine the exact ERT Gateway installation location and the best mounting surface.

- Evaluate the quantity and types of network endpoints.
- Assess the environmental and geographical considerations for the ERT Gateway installation.
- Optimize the ERT Gateway placement within the network to get the best possible reception.
- Assess the physical and structural implications of the selected mounting surface.

This iterative process may be repeated as the final installation parameters are determined.

AC power requirements


The ERT Gateway requires an 85-264 VAC source defined as a 10 Amp, 15 Amp, or 20 Amp branch circuit that must be protected by a certified branch circuit breaker.

 **Warning:** Do not connect the ERT Gateway to a circuit protected by a GFCI breaker.

The wiring must be sized in accordance with the National Electrical Code, ANSI/NFPA 70 and, where applicable, the Canadian Electrical Code, Part I, CSA C22.1 or the prevailing local code.

AC mains power

The AC mains wiring to the ERT Gateway utilizes a three-conductor cable. Terminate the cable with either a NEMA L5-15 (125V, 15A), NEMA L6-15 (250V, 15A) locking plug, or by directly splicing to the secondary power to meet electrical codes.

 **Warning:** Verify the 85-264 VAC power source. Do not connect the ERT Gateway to the wrong voltage during installation. Supplying the wrong voltage could result in the ERT Gateway not functioning properly or damage to the device.

The ERT Gateway must be protected by a certified branch circuit breaker. Do not connect the ERT Gateway to a circuit protected by a GFCI breaker. Size the wiring in accordance with the National Electrical Code, ANSI/NFPA 70, and where applicable, the Canadian Electrical Code, Part 1 CSA C22.1 or the prevailing local code. Power wiring on the Itron-supplied power cable follows conventional color coding for AC wiring: green (ground), white (neutral), and black (hot).



Warning: Securely mount the ERT Gateway before connecting the dedicated AC mains power source. The ERT Gateway must be grounded using either the ground wire in the three-conductor cable or the grounding lug on the bottom of the ERT Gateway. For installations that use the photocell adapter, the grounding lug must be used to ground the ERT Gateway.

Mounting hardware requirements

Mounting hardware requirements are based on the installation location and your system configuration. The installer must supply the following mounting hardware to properly attach the ERT Gateway to the mounting surface.



Caution: Each installation is unique. You must ensure that the mounting hardware securely supports the ERT Gateway. Reference Appendix A: [Dimensions and weight](#) on page 21 for the dimensions and weight specifications of the ERT Gateway. Itron recommends that you consult a qualified engineer to verify load requirements and safety issues. Installers must comply with local codes when the ERT Gateway is installed.

| Profile | Mounting surface | Suggested hardware/sizing |
|--------------|------------------------------------|--|
| Utility pole | Wood or steel pole | High-strength stainless steel straps |
| Light pole | Steel light pole | High-strength stainless steel straps |
| Pipe | 2.5" to 5.5" galvanized steel pipe | Two pipe mount brackets for pipes up to 5.5" in diameter. Pipe mount brackets are available from Itron (part number FAB-0192-001). Two brackets are required for each ERT Gateway. |

Chapter 4 Installing the ERT Gateway



Caution: Do not move or transport the ERT Gateway without first disconnecting the power. Use the ERT Gateway shipping packaging to transport the device to protect the equipment.

This chapter provides the Itron-approved instructions to install an ERT Gateway in the field. The ERT Gateway can be installed in a variety of locations. This installation profile uses an AC mains power.

Note: Before the ERT Gateway installation, ensure that the selected location will support the weight of the gateway and its mounting hardware. Engage a registered engineer to conduct a structural analysis of the installation location prior to the installation. Itron is not responsible for improper installation or for installation at a site that cannot adequately support the ERT Gateway.

Installation overview

This ERT Gateway installation profile describes installation mounting the gateway to a 2-inch vertical pipe. The ERT Gateway power source is a 110V AC mains supply. During installation, the listed tasks are completed.

1. Attaching the 915MHz ERT module antenna.
2. Attaching the 915MHz SNIC antenna.
3. Attaching the ERT Gateway to the mounting surface.
4. Connecting the power cable.
5. Supplying power.

Mounting the ERT Gateway antennas

Attach the 915MHz antenna prior to mounting the ERT Gateway in a permanent location.

Attaching the standard 915MHz ERT antenna


1. Remove the antenna from the shipping package.



2. Slide the black rubber boot onto the base of the antenna with the widest portion of the boot oriented as shown in the illustration.



3. Thread the antenna onto the top of the ERT Gateway. Do not over-tighten.

 **Caution:** Do not cross-thread the connection.

4. Push the rubber boot down over the sleeve surrounding the connector (as close as possible to the top of the ERT Gateway).



5. Slide the antenna collar over the sleeve/boot assembly with the front of the antenna collar to the front of the ERT Gateway. The following illustration shows the correct positioning.



6. Secure the antenna collar to the top of the ERT Gateway using screws and washers. Tighten the screws to 5 to 6 inch-pounds.

Note: Ensure the rubber boot extrudes from the top of the collar as shown in the following illustration.



Attaching the SNIC antenna

This information provides the instructions to install the SNIC antenna.

1. Remove the SNIC antenna from the shipping box.



2. Remove the red connector protector.
3. Thread the antenna onto the N-connector (labeled WAN) on the bottom of the ERT Gateway.

Important: Do not over-tighten or cross-thread the SNIC antenna.



Mounting the ERT Gateway

The ERT Gateway can attach to a variety of locations. This chapter provides the instructions for the listed mounting types.

- Pipe mount
- Pole mount
- Davit arm mount

Mounting hardware

The mounting hardware for the ERT Gateway can be adapted to mount the gateway in many different locations.

Pole or pipe mount profiles require the listed mounting hardware.


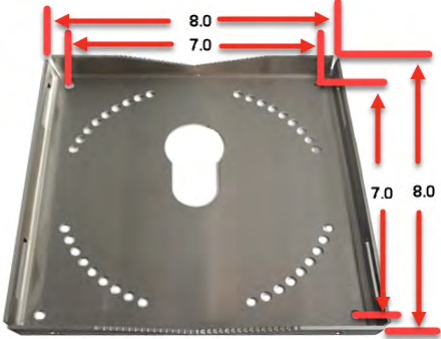

- The mounting plate
- Two mounting brackets
- Four bolts
- The set screw
- (optional) Metal bands (not provided by Itron)

Note: If the vertical pipe or pole exceeds 6.75" in diameter, you may use metal bands instead of the mounting brackets to secure the mounting plate to the pipe or pole. Two 1.5" long slots are included on the mounting plate to accommodate the metal bands.


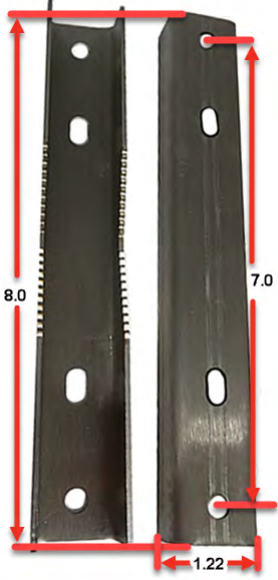


The following list describes the required hardware to complete the wall mount profile.

- Two metal mounting brackets
- Four mounting bolts
- Four mounting nuts
- Four lock washers

Table : Mounting Hardware

| Component | Image | Description |
|-------------------|---|---|
| Mounting plate |  | Mounting plate dimensions  |
| Mounting brackets |  | Brackets for wall-mounting |

Installing the ERT Gateway

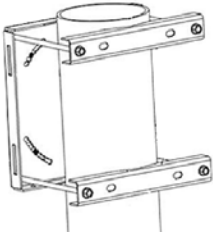
| Component | Image | Description |
|----------------|---|---|
| |  | <p>Brackets for pipe or pole mounting (bracket dimensions are shown)</p>  |
| Mounting bolts |  | Bracket mounting bolts |
| Miscellaneous |  | Mounting nuts, set screw, washers, split washers, and anti-seize lubricant |

The integrated mounting support on the back of the ERT Gateway housing slides into the slot in the center of the mounting bracket. A set screw locks the ERT Gateway to the mounting bracket. The housing orientation can be adjusted ± 16 degrees horizontal to compensate for different angles.

Mounting the ERT Gateway on a pipe

In these instructions, the mounting plate is attached to the vertical pipe with the mounting brackets. The ERT Gateway housing is secured to the mounting plate.

1. Use the two mounting brackets and four bolts with lock washers and flat washers to attach the mounting plate to the pipe.



2. Place the gateway on the mounting plate with the antenna in an upright position. Insert the mounting plate disc into the mounting plate's disc opening.



3. Secure the ERT Gateway to the mounting plate using the set screw and washers.



Caution: There are four possible locations for the set screw. Use one set screw with a lock washer and flat washer only. Using more than one set screw to secure the ERT Gateway could damage the ERT Gateway.

Mounting the ERT Gateway on a pole

1. Follow the pipe mounting procedure for securing the mounting plate to the ERT Gateway (see [Mounting the ERT Gateway on a pipe](#) on page 14). Ensure that the ERT Gateway antenna is in an upright position.
2. Attach the ERT Gateway/mounting bracket assembly to the pole using the mounting brackets or the optional metal straps.



Mounting the ERT Gateway on a davit arm

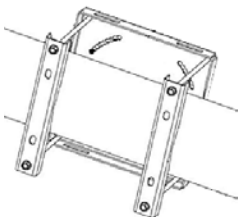
These instructions describe a typical utility or street light pole installation. The ERT Gateway is mounted on a davit or street light arm.



Power is supplied on a davit or street light arm installation using a photocell adapter cable. The cable plugs into the photocell sensor of the street light. If the ERT Gateway is mounted on a davit arm without a street light, the power cable must be connected according to the local electrical codes.

Important: If a photocell adapter cable supplies power to the ERT Gateway, the gateway must be grounded through the grounding lug on the bottom of the housing.

1. Use the two mounting brackets and four bolts with lock washers and flat washers to attach the mounting plate to the davit arm.



2. Insert the mounting disc into the mounting plate disc opening.



3. Using the set screw with a lock washer and flat washer, secure the gateway to the mounting plate with the antenna in an upright position.



Caution: There are four possible locations for the set screw. Use one set screw with a lock washer and flat washer only. Using more than one set screw to secure the ERT Gateway could damage the ERT Gateway.

Connecting the ground wire

Connect the ground wire to the grounding lug on the ERT Gateway.

Note: Due to variable requirements for cable length, cables are not provided by Itron.

Attach the grounding wire to earth ground. Follow local codes if earth ground is not provided through the AC power cable.

Connecting the ERT Gateway power

The final step of the ERT Gateway installation is to provide power. A three-pin (AC) cable is required.



Warning: Securely mount the ERT Gateway before the dedicated AC mains power source is connected. The ERT Gateway must be grounded by the ground wire in the three-wire AC mains cable or through the grounding lug on the bottom of the gateway. For installations connected to the photocell adapter, use the grounding lug to ground the gateway.

Connecting the power cable

1. Plug the power cable into the power connector on the bottom of the ERT Gateway.

Note: The connector is keyed so the cable connects in the proper orientation.



2. Secure the cable by tightening the retaining nut on the cable.



ERT Gateway wiring diagram

Power source and grounding connection are shown in the following illustration.



| Connection | Description |
|------------|-----------------|
| 1 | AC power source |
| 2 | Ground |

Chapter 5 OpenWay Riva Routing Node Communications Software

The OpenWay Riva Routing Node ERT Gateway Star communicates using the OpenWay Operations Center Collection Manager. The OpenWay Operations Center Collection Manager sends a request to the ERT Gateway Star requesting the data from the previous 8 hours. The ERT Gateway Star responds with the data that it stored over the past 8 hours. For more information, see the OpenWay Operations Center Collection Manager documentation ([ERT Gateway related documents](#) on page 3).

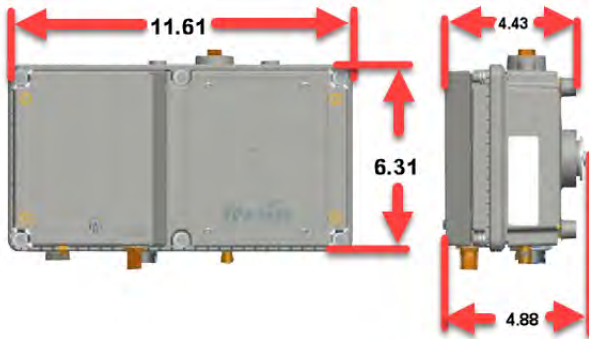
Appendix A ERT Gateway Specifications

This section provides OpenWay Riva Routing Node ERT Gateway product specifications.

Dimensions and weight

The ERT Gateway weight is listed in pounds. The dimensions are shown in inches.

| Component | Weight |
|-------------------|-------------------------|
| ERT Gateway | 5.5 lbs (with antennas) |
| Pole mounting kit | 3 lbs |
| Wall mounting kit | 2 lbs |



Antenna specifications

This section provides the specifications for the 915MHz and SNIC antennas. The ERT Gateway is designed to operate with the antennas listed here. Antennas not listed here are strictly prohibited for use with the ERT Gateway. The required antenna impedance is 50 ohms.

| Specification | 915 MHz ERT antenna | | 915 MHz SNIC antenna | |
|----------------------|---------------------|-----------------|----------------------|-----------------|
| | MSE-0330-001 | MSE-0453-001 | 514618-001 | MSE-0452-001 |
| Frequency range | 902-932 MHz | 902-928 MHz | 902-928 MHz | 902-928 MHz |
| Maximum gain | 5.15 dBi | 5.5 dBi | 1 dBi | 2.6 dBi |
| Horizontal beamwidth | Omnidirectional | Omnidirectional | Omnidirectional | Omnidirectional |
| Impedance | 50 ohms | 50 ohms | 50 ohms | 50 ohms |
| Termination | Type N male | Type N Male | Type N male | Type N male |
| Overall length | 18 in. | 18.8" | 5.6" | 8" |
| Radome diameter | 1" OD | 1" OD | 0.84" OD | 1" OD |

*See the *OpenWay Riva Routing Node Ordering Guide* (PUB-1306-001) for the full list of part numbers and availability or contact your Itron representative.

To reduce potential radio interference to other users, select an antenna type with gain such that the equivalent isotropically radiated power (e.i.r.p.) is not more than that permitted for successful communication.

Innovation, Science, and Economic Development Canada (ISED) Conformity

This radio transmitter (IC: 864A-ORRNA) has been approved by Innovation, Science and Economic Development Canada (ISED) to operate with the antenna types listed previously with the maximum permissible gain and required antenna impedance for each antenna type indicated. Antenna types not included in this list, having a gain greater than the maximum gain indicated for that type, are strictly prohibited for use with this device.

Le présent émetteur radio (IC: 864A-ORRNA) est conforme aux CNR d'Industrie Canada pour fonctionner avec les types d'antenne énumérés ci-dessus et ayant un gain admissible maximal et l'impédance requise pour chaque type d'antenne. Les types d'antenne non inclus dans cette liste, ou dont le gain est supérieur au gain maximal indiqué, sont strictement interdits pour l'exploitation de l'émetteur.

Environmental specifications

The ERT Gateway meets the listed environmental specifications.

| Specification | Value |
|-----------------------|-------------------------|
| Operating temperature | -40°C to 60°C |
| Storage temperature | -40°C to 85°C |
| Humidity | 0 to 90% non-condensing |

ERT Gateway power operating range

The ERT Gateway meets the listed power operating ranges.

| Specification | Value |
|---------------|-------------------|
| Voltage (AC) | 85 VAC to 264 VAC |
| Frequency | 47 to 63 Hz |
| Average power | 5 watts |