

IVES[®]

Architectural Hardware Products



IR Ingersoll Rand
Security Technologies

	page
Terms and Conditionsii-iii
Index by Product Descriptioniv
Index by Part Numberv
Finish Chartvi-vii
Packaging, Handlingviii
A - Hinges and Pivots	
Architectural HingesA2 - A11
Residential HingesA12
Continuous HingesA13 - A30
PivotsA31 - A49
Pocket Pivot/HingesA50
B - Pulls and Push Plates	
PullsB2 - B8
Push BarsB8 - B9
Vandal Resistant TrimB10 - B12
Protection PlatesB13 - B14
Mounting DetailB15 - B17
C - Flush Bolts & Coordinators	
Flush BoltsC2 - C11
CoordinatorsC12 - C16
D - Latches, Catches & Bolts	
Surface BoltsD2 - D6
Door GuardsD7
Roller LatchesD8 - D10
Angle StopsD11
Latches/CatchesD12 - D16
E - Stops	
Floor StopsE2 - E5
Floor Stops & HoldersE6 - E8
Wall Bumpers/StopsE9 - E14
Wall HoldersE15
Kick Down HoldersE16 - E17
Plunger Door HoldersE17
Roller BumpersE19
Residential Door StopsE20 - E21
Hinge Pin StopsE21 - E22
SilencersE23
F - Exterior Hardware	
Lock GuardsF2 - F4
Door ViewersF5 - F6
Door KnockersF7
Letter Box/PlatesF8
Door NumbersF9
Storm Door LatchF9
Screen Door PullF10
Crash StopsF10
G - Miscellaneous Hardware	
Hooks & BracketsG2 - G6
Window HardwareG6 - G8
Hobby HardwareG9 - G12
Cabinet/Closet HardwareG13 - G16

Hinges & Pivots
A

Pulls & Plates
B

Flush Bolts & Coordinators
C

Latches, Catches & Bolts
D

Stops
E

Exterior Hardware
F

Miscellaneous Hardware
G

INGERSOLL-RAND COMPANY, SECURITY TECHNOLOGIES SECTOR,
GENERAL TERMS AND CONDITIONS OF SALE AND SERVICE

1. GENERAL. (a) This Agreement contains the terms and conditions by which Company will quote and sell its Products and Services to Customer. (b) The terms "purchase order" or "order" for the purposes of this Agreement include the term "request for quotation," as appropriate. (c) This Agreement supersedes all pre-printed boilerplate terms and conditions set forth in any purchase order issued by Customer. (d) No reference herein to Customer's purchase order will in any way incorporate different or additional terms and conditions which are hereby objected to. (e) ANY ACCEPTANCE BY COMPANY OF CUSTOMER'S PURCHASE ORDER IS EXPRESSLY CONDITIONED ON THE CUSTOMER'S ASSENT TO AND ACCEPTANCE OF THE TERMS AND CONDITIONS CONTAINED IN THIS AGREEMENT. (f) In the event of a conflict between this Agreement and a purchase order issued by Customer, the terms of this Agreement will prevail. In the event of a conflict between this Agreement and any specific Product or Service terms and conditions, the specific Product or Service terms and conditions will prevail.

2. SCOPE OF PRODUCTS AND SERVICES AND ORDERS

(a) Scope of Products and Services The scope of the Products and Services (including, but not limited to location) are (i) attached to this Agreement, (ii) separately furnished by Company to Customer, or (iii) subject to Section 1 herein, contained in an order submitted by Customer. Non-standard finishes and special items may be available. Contact Company for such availability. All Products that come in "kits" cannot be sold as individual pieces. See the specific product terms and conditions for exceptions. (b) Orders All orders submitted by Customer must be in written form acceptable to Company. (c) Receipt of an Order Company will acknowledge receipt of each order issued in accordance with this Agreement and will notify Customer whether such order has been accepted or rejected, in whole or in part, by Company. If Company fails to acknowledge receipt of an order, within a reasonable time period, such failure to acknowledge receipt will be deemed a rejection of the entire order. (d) Changes to Orders or Cancellation of Orders Change order request and Cancellations can be by phone, fax, or email. Changes and Cancellations are allowed without penalty if made within 48 hours of order receipt if the order has not shipped. Some exceptions do apply - please consult the factory. After 48 hours, all changes or cancellations are subject to a charge of 25% of the net product or service value plus the cost of any fabrication or raw materials that have been purchased for the order. Unless otherwise specified by Company in writing, any changes to orders acknowledged by Company that affect the delivery date will be deemed a new order and will require acknowledgement by Company as provided in this Section 2.

3. PRICES AND PAYMENT. (a) Prices The prices specified by Company are subject to change, without notice, to Company's prices in effect at the time of each shipment of Products or performance of Services. Additional charges may be applied for product modification or engineering services. Oral prices specified by Company are null and void. (b) Invoices Company will submit invoices to Customer stating amounts due. (c) Payment Terms Payment terms are 2% cash discount 20 days, net 35 days from date of invoice. Payment will be made in United States dollars. (d) Credit Terms All orders are subject to Company's credit limit and terms of credit required by Company or contained in Company's credit application, which is subject to change by Company at any time either before or after delivery of any part of the order. Company reserves the right to request payment in advance of shipment or any order or to request adequate assurances for Customer's payment of an order and may withhold or stop shipment, without any liability to Company, until Customer submits payment or assurance of payment, as required by Company. (e) Default If Customer is in default in payment or otherwise with respect to any order for Products or Services or any other contract with Company, Company shall have the right, in addition to all other legal remedies and without prejudice to any of its right hereunder, to defer further shipments until such default is corrected and to declare all outstanding bills of Customer to be immediately due and payable. (f) Taxes Any taxes, charges, or duties imposed by any governmental authority on the sale of Products or Services will be paid by Customer, in addition to the selling price specified by Company. (g) Late Payment Charge A late payment charge of 1.5% per month equivalent to 18% per annum will be charged on past due balances owed Company. Provided however, that in the event that applicable governmental law sets a maximum rate for late payment fees which is less than 18% per annum, then the late payment charge assessed will be set at the maximum rate permitted by law.

4. INSPECTION, DELIVERY, SHIPPING, FREIGHT CHARGES, CLAIMS, PACKING. (a) Inspection Inspection of Products and Services will be done by Customer immediately after receipt of Products or completion of Services. Inspection of Products or Services by Customer at Company's facility is not permitted. (b) Delivery. Product delivery schedules are based upon current production capacities, material or component availability, and inventory, and may be changed by Company as conditions require. Service delivery schedules are based upon prompt receipt of, and prompt access to, Customer's equipment and all information necessary to complete the Services. In no event will Product or Service delivery dates be construed as falling within the meaning of "time is of the essence." Partial delivery shall be accepted by Customer and paid for at the price and on the terms stated herein. Any partial delivery of Products or Services, shall constitute a separate sale and payment shall be separately made when due. If any part of the Products or Services are not delivered by Company in accordance with Customer's order, this Agreement shall not be affected thereby. (c) Shipping Unless otherwise specified by Company, (i) where the Customer is located in the United States, all Products will be sold "Uniform Commercial Code, F.O.B. Origin, Company's factory"; and (ii) where the Customer is located outside of the United States, all Products will be sold "Ex-works, Company's factory (Incoterms 2000)." In either instance, title and risk of loss will pass to Customer upon delivery to the carrier at Company's factory. Provided

however, a security interest will remain in the Products, regardless of mode of attachment to realty or other property, until full payment has been made therefore, and Customer agrees, upon request, to do all things and acts necessary to protect Company's interest by adequately insuring the Products against loss from damage from any cause and to have Company named as an additional insured. Copies of all Certificates of Insurance will be provided to Company upon request. Customer will also assist Company in providing all necessary documents or signatures required to file any documents to perfect Company's interest in such Products.

(d) Freight Charges The full cost of freight, via a carrier of our choice, will be allowed (and prepaid) on shipments of the net dollar amount or more indicated in the chart below within the United States of America, excluding all territories.

Brand	Net Dollar Amount
Schlage Mechanical	\$7,000
Schlage Electronic Security (excluding Biometrics)	\$7,000
Schlage Biometrics	Refer to separate freight terms
Von Duprin	\$7,000
LCN	\$7,000
IR FASTRACK	\$7,000
Falcon Locks	\$5,000
Falcon Exits	\$5,000
Falcon Closers	\$5,000
Falcon FASTRACK	\$5,000
Ives & Glynn-Johnson	\$1,000
Steelcraft	Refer to separate freight terms

On shipments of the net dollar amount or more to all foreign countries and US territories, freight will be allowed (and prepaid) to the Port of Embarkation. Shipments under the net dollar amount will be prepaid by Ingersoll Rand and 3.0% of the net invoice amount or \$10, whichever is greater, will be added to the invoice. All expedited methods of shipment, such as 'next day air', will be prepaid by Ingersoll Rand but the entire shipping costs will be added to the invoice. Ingersoll Rand will ship as requested, freight collect, if the customer is willing to bear the entire expense and so indicates on the order. Once received by IR, a purchase order cannot be combined with another purchase order to qualify for freight allowed. In addition the customer may not combine any of the brands or product categories listed above on a single purchase order to qualify for freight allowed, except in the case of FASTRACK. IR FASTRACK may not be combined with Falcon FASTRACK to qualify for freight allowed. (e) Claims All claims for loss or damage to Products while in the care, custody, and/or control of a carrier will be the responsibility of Customer, who will submit any claims. (f) Packing Company will pack, mark, and ship the Products according to its standard procedures for shipment, unless the parties agree, in writing, that Company will comply with any special instructions provided by Customer. Compliance with special instructions may result in an increased price.

5. CLAIMS. Claims due to shortages, errors, omissions, damaged goods, or defective material must be submitted within 30 days from the date of the invoice.

6. PRODUCT CHANGES. Company reserves the right to change without notice the design of, or the process of manufacturing, the Products covered by this Agreement; provided that the foregoing will not be construed as relieving Company from its obligation to deliver Products which conform to the specifications which Company may have furnished to Customer.

7. PRODUCT RETURNS. Purchased material can only be returned to the factory by obtaining Return Material Authorization (RMA) and must be returned to Company within 90 days of issuance of the RMA. Returned material must be new, unused, non-obsolete, and non-specially manufactured and been in Customer's inventory no more than 180 days from the date of shipment by Company. The RMA number, the original invoice number, and the reason for the return must be included in the return. If the company approves the return, a credit will be issued to the Customer's account less freight and a handling charge of 35% of the net material on the original invoice. Handling charges may vary depending on the condition of the return. The amount of final credit will be determined upon receipt at the factory and analyzing the condition of the material. Factory retains the right to deny credit to anyone for any reason.

8. TECHNICAL INFORMATION AND ADVICE. (a) All designs, data, and specifications provided by Company are proprietary and will not be disclosed or reused by Customer without the prior written consent of Company. (b) Company assumes no obligation or liability for any advice given by Company, the results obtained, or damages incurred, and all such advice is given and accepted at Customer's risk.

9. LIMITED WARRANTY.

(a) Company's Standard Limited Warranty(ies) relating to *Products or Services* are applicable to this Agreement. The limited warranty(ies) are (i) attached to this Agreement; (ii) separately identified in the specific Product Price Book; or (iii) separately furnished by Company to Customer.

(b) (i) In the event that certain Product warranties are not attached to this Agreement or separately furnished, Company warrants only to Customer that Products will be free from defects in material and workmanship for a period of 12 months from the date of shipment of the Products. Company's sole obligation under this warranty is limited to repairing or replacing, at its option, the defective Products. (ii) The provisions of this limited Product warranty do not apply to Products: (A) used for the purposes for which they are not designed or intended; (B) which have been repaired or altered without Company's prior

A Hinges & Pivots
B Pulls & Plates
C Flush Bolts & Coordinators
D Latches, Catches & Bolts
E Stops
F Exterior Hardware
G Miscellaneous Hardware

written consent; (C) which have been subjected to misuse, abuse, negligence, or accident; (D) which have been improperly stored, installed, maintained, or operated; (E) which have been used in violation of written instructions provided by Company to Customer; (F) which have been subjected to improper temperature, humidity, or other environmental conditions; (G) which have been affected by normal wear and tear; or (H) which, based on Company's examination, do not disclose to Company's satisfaction nonconformance to the warranty.

(c) (i) In the event that certain Service warranties are not attached to this Agreement or separately furnished, Company warrants only to Customer that the Services will be free from defects in material and workmanship for a period of 6 months from the date of completion of the particular items of Service. Company's sole obligation under this warranty is limited to repairing or reperformance, at its option, of the Service; provided however, if repair or reperformance is either impractical or impossible, the Company will refund to Customer that portion of the price paid to the Company for the defective item of Service. This warranty only applies if the company is given written notice of the defect or nonconformance by the Customer within 30 days of discovery. (ii) The provisions of this limited Service warranty does not apply to any defects or issues with the design or performance of equipment or products not manufactured by Company, nor does it apply to any code compliance or permit requirements for the assembly, installation, erection, or construction of any goods.

(d) NO OTHER WARRANTIES, EXPRESS OR IMPLIED, ARE MADE WITH RESPECT TO THE PRODUCTS OR SERVICES INCLUDING, BUT NOT LIMITED TO, ANY IMPLIED WARRANTY OF MERCHANTABILITY OR FITNESS FOR A PARTICULAR PURPOSE.

(e) The following costs and expenses are not covered by the provisions of these limited warranties: (i) labor costs for the removal and reinstallation of Products or other manufacturer's products; (ii) shipping and freight expenses required to return Products to Company; (iii) normal maintenance; and (iv) economic losses. In addition, the provisions of this warranty are not applicable to anything other than defects in Company's material (products only) or workmanship.

10. CUSTOMER'S REMEDIES. THE CUSTOMER'S EXCLUSIVE AND SOLE REMEDY ON ACCOUNT OF, OR IN RESPECT OF, THE FURNISHING OF PRODUCTS OR SERVICES THAT DO NOT CONFORM TO THIS AGREEMENT WILL BE TO (A) SECURE REPAIR OR REPLACEMENT OF THE PRODUCTS; OR (B) SECURE REPAIR OR REPERFORMANCE OF THE SERVICES OR TO OBTAIN A REFUND OF THE PRICE PAID FOR THE DEFECTIVE SERVICE, ALL AT COMPANY'S OPTION. IN NO EVENT WILL THE COMPANY'S MAXIMUM LIABILITY EXCEED THE SELLING PRICE FOR THE PRODUCTS OR ITEM OF SERVICE.

11. LIMITATION OF LIABILITY. IN NO EVENT WILL COMPANY BE LIABLE FOR INCIDENTAL, CONSEQUENTIAL, INDIRECT, SPECIAL, OR PUNITIVE DAMAGES INCLUDING, BUT NOT LIMITED TO, LOSS OF USE OF THE PRODUCTS, SERVICE INTERRUPTION, LOSS OF PROFITS, LOSS OF REVENUE, INTEREST, LOST GOODWILL, WORK STOPPAGE, IMPAIRMENT OF OTHER GOODS, LOSS BY REASON OF SHUTDOWN OR NON-OPERATION, INCREASED EXPENSES OF OPERATION, OR CLAIMS OF CUSTOMER'S CUSTOMERS, WHETHER BASED ON CONTRACT, WARRANTY, TORT (INCLUDING, BUT NOT LIMITED TO, STRICT LIABILITY OR NEGLIGENCE), PATENT INFRINGEMENT, OR OTHERWISE, EVEN IF ADVISED OF THE POSSIBILITY OF SUCH DAMAGES.

12. STATUTE OF LIMITATIONS. NO ACTION ARISING OUT OF ANY CLAIMED BREACH OF THIS AGREEMENT BY COMPANY MAY BE BROUGHT BY CUSTOMER MORE THAN ONE (1) YEAR AFTER THE CAUSE OF ACTION HAS AROSEN.

13. CONSUMER PRODUCTS. With respect to "consumer products" as defined under the Magnuson-Moss Warranty Act ("MMWA"), the following statements are made. (a) Some states do not allow limitations on how long an implied warranty lasts, so the above limitation may not apply to you. IF ANY IMPLIED WARRANTY IS PROVIDED UNDER THE MMWA, IT IS LIMITED TO THE DURATION OF THE WARRANTY PROVIDED IN SECTION 9 ABOVE. (b) Some states do not allow the exclusion or limitation of incidental or consequential damages, so the above limitation or exclusion may not apply to you. (c) This warranty gives you specific legal rights and you may also have other rights which vary from state to state.

14. FORCE MAJEURE. Any delay or failure of Company to perform its obligations hereunder will be excused to the extent that it is caused by an event or occurrence beyond its control such as, by way of example and not by way of limitation, acts of God, actions by any governmental authority (whether valid or invalid), governmental laws and regulations not presently in effect, fires, floods, windstorms, explosions, riots, natural disasters, wars, sabotage, accidents, labor problems (including, but not limited to, lockouts, strikes, and slowdowns) at Company's facility, its source plant or their suppliers, inability to obtain power, material, labor equipment, or transportation, or court injunction or order. The delivery date will be extended for a time equal to that of the delay and the schedule for Company's performance will be deemed adjusted in the individual order(s) to that effect.

15. ENTIRE AGREEMENT AND AMENDMENT. This Agreement, together with any attachments or supplements specifically referenced in this Agreement, constitutes the entire agreement between the parties hereto and supersedes all previous communications, representations, or agreements, either oral or written, between the parties hereto with respect to the subject matter hereof. No agreement or understanding varying or expanding this Agreement will be binding upon either party hereto unless it is in writing and signed by a duly authorized representative thereof.

16. TERMINATION. (a) This Agreement may be terminated by either party by giving 30 days' written notice to the other party in the event of failure by such other party to fulfill any of its obligations hereunder. However, if during the period of such notice, such other party remedies such failure, this Agreement will continue with the same force and effect as if such notice had not been given. (b) This Agreement may be terminated upon the written mutual consent of the parties. (c) Either party may immediately terminate this Agreement by giving written notice to the other party in the event of the happening of any of the following or any other comparable event: (i) insolvency of the other party; (ii) filing of a petition in bankruptcy by or against the other party; (iii) appointment of a receiver or trustee for the other party; or (iv) execution of an assignment for the benefit of creditors by the other party, all of which will allow Company to demand reclamation of all affected orders. (d) Except as provided in this section 16, Customer may not terminate this Agreement, in whole or in part, unless Company's prior written consent is obtained and Customer agrees to pay all of Company's cancellation charges.

17. GOVERNING LAW; VENUE; AND EXPENSES. (a) This Agreement and any disputes or controversies arising hereunder will be governed by and construed according to the internal laws of the State of Indiana, United States of America, without regard to its conflict of law principles, and not including the United Nations Convention on Contracts for the International Sale of Goods. (b) Jurisdiction and venue with respect to any action, proceeding, or suit in connection with this Agreement will reside in the courts of the State of Indiana. (c) Customer agrees to pay for all expenses (including attorney's fees) incurred by Company in enforcing the obligations of Customer under this Agreement.

18. COMPLIANCE WITH LAWS, EXPORT CONTROLS, CERTIFICATIONS, AND NUCLEAR LIABILITY. (a) This Agreement is subject to, and Company and Customer will comply with, all laws and export controls, regulations, rules, orders, licenses, requirements, and governmental requests now or hereafter in effect in the United States of America that pertain to the Products or the initial sale of the Products or that pertain to Services. Provided however, Company is not responsible for obtaining or maintaining any permits for the performance of Services or the verification or compliance with any code requirements relative to the performance of Services. To the extent any sale of Products or Services pursuant to this Agreement may require approval of the U.S. Government, Company's obligations under this Agreement are conditioned upon the grant of such approval and upon compliance by Customer with any restrictions imposed by the U.S. Government in connection with such approval. (b) Certain Products are noted by Company as tested by independent laboratories for compliance with UL and/or ANSI standards. Any and all modifications or alterations to such Products will void such certification, and Company is not liable to Customer to certify any modified or altered Product. (c) In the event the Products are to be used in a nuclear facility, the Customer shall, prior to such use, arrange for insurance or governmental indemnity protecting Company against liability. The Customer hereby releases and agrees to indemnify Company and its suppliers for any nuclear damage including, but not limited to, loss of use, in any manner arising out of the nuclear incident, whether alleged to be due, in whole or in part by Company or its suppliers.

19. NO INDUCEMENTS. The parties hereto represent to each other and each agrees that, neither it nor any person acting on its behalf has, in contravention of any applicable law, given or offered to give, or will give or offer to give, any sum of money or other material consideration to any person, directly or indirectly, as an inducement to obtain business hereunder or to influence the granting of licenses or other governmental permissions to enter into this Agreement or perform obligations hereunder.

20. SEVERABILITY. If any provision of this Agreement is held to be invalid, illegal, or unenforceable under any statute, regulation, ordinance, executive order, or other rule of law, that provision will be deemed severed to the extent necessary to comply with such statute, regulation, ordinance, order, or rule. In the event such provision is deemed severed, the parties will negotiate in good faith to arrive at an alternative arrangement approximating the original business objective of the parties. The remaining terms and conditions of this Agreement will remain in effect.

21. NO IMPLIED WAIVER. The failure of either party at any time to require performance by the other party of any provision of this Agreement will in no way affect the right to require such performance at any time thereafter, nor will the waiver of either party of a breach of any provision of this Agreement constitute a waiver of any succeeding breach of the same or any other provision.

22. MISCELLANEOUS. (a) This Agreement does not constitute either party the agent or legal representative of the other party. Neither party is authorized to create any obligation on behalf of the other party including, but not limited to, the obligation for payment of any service or warranty obligation hereunder. (b) Neither this Agreement nor any right or obligation hereunder may be transferred or assigned by either party without the prior written approval of the other party, except that Company can transfer or assign this Agreement or any right or obligation (including, but not limited to the right to receive payments for any orders) to Ingersoll-Rand Company or an Ingersoll-Rand Company entity without first obtaining Customer's consent. (c) The rights and remedies herein reserved to Company will be cumulative and additional to any other or further rights and remedies provided at law or equity. (d) Customer does not have the right to setoff or to back charge against any amounts which become payable to Company under this Agreement or otherwise. (e) The official text of this Agreement is in the English language. If this Agreement is translated into another language, the English text will govern any question with respect to interpretation. (f) The headings in this Agreement are for convenience of reference only and do not affect the meaning of this Agreement in any manner.

23. DEFINITIONS. (a) *Agreement* means Ingersoll-Rand Company, Security Technologies Sector Terms and Conditions of Sale and Service. (b) *"Company"* means Ingersoll-Rand Company, Security Technologies Sector. (c) *Customer* means the Buyer. (d) *Buyer* means the purchaser of products or Services from Company.

A Hinges & Pivots
B Pulls & Plates
C Flush Bolts & Coordinators
D Latches, Catches & Bolts
E Stops
F Exterior Hardware
G Miscellaneous Hardware



A	Hinges & Pivots
B	Pulls & Plates
C	Flush Bolts & Coordinators
D	Latches, Catches & Bolts
E	Stops
F	Exterior Hardware
G	Miscellaneous Hardware

A	Angle StopD11	G	Gravity CoordinatorC14	Protection PlatesB13
	Automatic Flush BoltC2, C3, C4	H	Handrail BracketG2	Pull PlateB7, B8
	Automatic Wall HolderE15		HaspG10	Pull Plate (less pull)B6
	Auxiliary PusherD12		Hinge Pin StopE21, E22	Push BarB8
B	Ball CatchD13, D16		Hinge, 3 Knuckle,	Push Bar with PullB9
	Ball Catch, AdjustableD16		Full MortiseA5, A6	Push PlateB6
	Ball Catch, Dual AdjustableD16		Hinge, 5 Knuckle,	
	Bar CoordinatorC12		Full MortiseA6, A7, A8, A9	
	Bar Window LiftG7		Hinge, 5 Knuckle, Half SurfaceA10	
	BracketG12		Hinge, Continuous	
	Broad Butt HingeG9		Pin & Barrel Full MortiseA28	
C	Carry BarC14		Hinge, Continuous Geared	
	Casement AdjusterG8		Full SurfaceA19, A20	
	Casement FastenerG7, G8		Hinge, Continuous Geared	
	Ceiling HookG4		Half SurfaceA21, A22	
	Chain Door GuardD7		Hinge, Continuous Pin & Barrel	
	Chest HandleG12		Full Mortise, Full WrapA29, A30	
	Closet Pole SocketG6		Hinge, Continuous Pin & Barrel	
	Coat & Hat HookG3, G4		Swing ClearA29	
	Constant Latching Flush BoltC5		Hinge, ElectrifiesA11	
	Coordinator, BarC12		Hinge, PocketA52	
	Coordinator, Filler BarC12		Hinge, ResidentialA12	
	Coordinator, Mounting BracketC13		Hobbyist Barrel BoltG9	
	Crash StopF10		Holder, Kick DownE16, E17	
D	Decorative CornerG11		Hook and HaspG11	
	Decorative HaspG10		Hook and StapleG9	
	Decorative HingeG10	I	Invisible LatchD12	
	Door Base Stop, Residential E20, E21	K	Kick Down HolderE16, E17	
	Door Bolt, DutchD6		Knocker, DoorF7	
	Door Bolt, MortiseD6	L	Letter Box PlateF8	
	Door Guard, ChainD7		Letter Box SleeveF8	
	Door Guard, Solid BarD7		Lock GuardF2, F3, F4	
	Door KnockerF7	M	Magnetic CatchD14	
	Door NumbersF9		Manual Flush BoltC6, C7, C8, C9, C10	
	Door PullB2, B3, B4, B5		Manual Wall HolderE9, E14	
	Door Pull, OffsetB5		Middle Butt HingeG9	
	Door SilencerE23		Mortise Door BoltD6	
	Draw CatchG12		Mounting BracketsC13	
	Dust Proof StrikeC11	N	Numbers, DoorF9	
	Dutch Door BoltD6	P	Pivot, 1/2" OffsetA43, A44	
E	Elbow CatchG13		Pivot, 3/4" OffsetA36, A37, A38,	
F	Filler BarC12		A39, A40,	
	Finger PullG13		A41, A42	
	Flexible Door Stop, ResidentialE20, E21		Pivot, Center HungA45, A46,	
	Floor StopE2, E3, E4, E5		A47, A48	
	Floor Stop & Automatic HolderE6, E8		Pivot, IntermediateA49, A50	
	Floor Stop & Manual HolderE7		Pivot, Intermediate, ElectrifiedA51	
	Floor Stop & Semi-automatic HolderE6		Pivot, PocketA52	
	Flush Bolt, AutomaticC2, C3, C4		Pocket Sliding Door BoltG15	
	Flush Bolt, Constant LatchingC5			
	Flush Bolt, ManualC6, C7, C8, C9, C10			
	Flush PullG13, G14			
	Friction Lid SupportG11			

CB1	C14	WS45X	E15	FS448	E5	7226, 7226F	A37
DP1	C11	046HD	A19	WS449	E14	7227, 7227F	A38
LG1	F2	S48	D6	FS450	E7	7230F	A39
MB1	C13	FB51	C4	FS452	E15	7230F-7237F INT	A48
MB1F	C13	COR52	C12	SB453	D2	7237F	A40
MB1V	C13	FB52	C4	FS455	E15	7244F	A41
2	G13	053HD	A22	FB457	C9	7244F-7245F INT	A48
DP2	C11	FB53	C4	FB458	C10	7245F	A42
MB2	C13	054	D6	FB458	C10	7253	A43
MB2F	C13	054HD	A22	RB470	E19	7255	A44
MB2V	C13	59	G2	RB471	E19	7255J	A44
3CB1	A5	059	G2	RB472	E19	7256	A45
3CB1HW	A6	60	E20	481	D7	7259	A46
3PB1	A5	060	E20	482	D7	8102	B2
3SP1	A6	COR60	C12	FS495	E8	8103	B2
MB1F	C13	61	E20	FS496	E8	8103EZ	B3
MB3F	C13	061	E20	FS497	E8	8105	B3
MB3V	C13	FB61	C5	FS544	E17	8111-5	B4
5BB1	A7	FB62	C5	FS555	E17	8112-5	B4
5BB1HW	A8	63	E21	571	G3	8121	B5
5BB1SC	A10	64	E21	572	G3	8190	B5
5BB1SCHW	A10	SR64	E23	574	C4	8200	B6
5BB1WT	A8	SR65	E23	575	G4	8300	B6
5BB4	A9	WS65	E10	580	G4	8302	B7
5BB4HW	A9	66	G8	581	C5	8303	B7
5PB1	A7	066	G7	582	C5	8305	B7
07	G6	SR66	E23	585	C6	8311	B8
COR7G	C14	69	E21	586	C6	8400	B13
LB7	F2	70	E22	600, 700	A27	8402	B13
FS9	E6	71	G8	601	F8	9011	C9
COR9G	C14	72	E22	602, 702	A27	9031	C9
LG10	F2	COR72	C12	611, 711	A28	9041	C9
CL11	D12	73	E22	620	F8	9042	C9
LG11	F3	78	G9	STK685	D10	9070	G10
WS11	E9	86	G9	STK685L	D10	9071	G10
WS11X	E9	90	G7	U696	F5	9072	G10
CL12	D12	112HD	A21	698	F5	9100	B8
LG12	F3	CS115	F10	U698	F5	9103EZ	B9
FS13	E2	157HD	A21	700	A27	9110	G10
LG13	F4	159	G2	700	F6	9120	G10
CL14	D12	210HD	A22	U700	F6	9130	G11
LG14	F4	218	G13	701	F6	9190	B9
R14	E2	221	G14	U701	F6	9210	G11
FS17	E2	222	G14	702	A27	9212	G11
AS18	D11	223	G14	705	A28	9220	G11
FS18L	E3	224HD	A22	711	A28	9311	G11
FS18S	E3	227	G15	715	A29	9320	G12
FL20	C12	230	G15	VR810-DT	B10	9321	G12
WS20	E9	253	D5	VR810-NL	B10	9330	G12
WS20X	E9	261	C6	VR814-DT	B10	9340	G12
CL21	D13	262	C6	VR814-NL	B10	91105F	A50
CL21A	D13	265	C7	AS895	D11	91105F-PT	A50
22	G13	325	D14	VR900	B11		
CL22	D13	326	D14	VR900LLP	B11		
25	F10	327	D14	VR910-DT	B12		
026	G7	330	D15	VR910M-DT	B12		
026	G7	335	D15	VR910M-NL	B12		
2 30	F9	336	D15	VR910-NL	B12		
RL30	D8	345	D16	980	F9		
FB31	C2	347	D16	990	G16		
COR32	C12	349	D16	991	G16		
FB32	C2	FB358	C8	1010	A12		
FL32	C12	SB360	D2	1011	A12		
RL32	D8	WS401	E11	1012	A12		
FB33	C2	WS402	E11	1020	A12		
WS33	E10	WS404CVX	E11	1021	A12		
WS33X	E10	405	G3	RL1152	D10		
RL36	D10	WS406	E12	FS1153	E18		
RL38	D10	WS407	E12	FS1154	E18		
40	D4	411R	E13	SB1600	D3		
FS40	E6	430	E4	SB1601M1	D3		
WS40	E15	FS434	E3	SB1601M2	D3		
FB41	C3	R435	E4	02-3107	F8		
FS41	E6	FS436	E4	02/25	F7		
42	G15	R437	E4	7212	A34		
COR42	C12	FS438	E4	7212-7212V-7222 INT	A47		
FB42	C3	FS441	E5	7212V	A34		
FS42	E6	WS443	E14	7215, 7215F	A35		
FS43	E6	FS444	E5	7215-7226-7227 INT	A47		
FL44	C12	WS445	E14	7215F-7226F-7227F INT	A47		
045HD	A19	FS446	E7	7215PT-7226PT-7227PT	A49		
WS45	E15	WS447	E14	7222	A36		

Hinges & Pivots

A

Pulls & Plates

B

Flush Bolts & Coordinators

C

Latches, Catches & Bolts

D

Stops

E

Exterior Hardware

F

Miscellaneous Hardware

G

A	Hinges & Pivots
B	Pulls & Plates
C	Flush Bolts & Coordinators
D	Latches, Catches & Bolts
E	Stops
F	Exterior Hardware
G	Miscellaneous Hardware

BHMA	US	Description	Base Material
609	US5	Satin Brass Plated, Blackened, Satin Relieved, Clear Coated	Aluminum
628	US28	Satin Aluminum, Clear Coated	Aluminum
666	US3	Bright Brass Plated, Clear Coated	Aluminum
666	US3AL	Bright Brass Plated, Clear Coated	Aluminum
667	US4	Satin Brass Plated, Clear Coated	Aluminum
668	US10A	Satin Bronze Plated, Clear Coated	Aluminum
668	US10AL	Satin Bronze Plated, Clear Coated	Aluminum
669	US14	Bright Nickel Plated	Aluminum
670	US15	Satin Nickel Plate	Aluminum
673	US92	Aluminum, Clear Coated	Aluminum
689	US65	Aluminum Painted	Aluminum
702	US26D	Satin Chrome Plated	Aluminum
703	US10B	Oxidized Satin Bronze Plated, Oil Rubbed	Aluminum
710	313AN	Dark Bronze Anodized	Aluminum
711	315AN	Black Anodizes	Aluminum
713	US26D		Aluminum
716	A10B	Satin Bronze Plated, Clear Coated	Aluminum
	BLK	Black Epoxy Coated	Aluminum
	W	White Epoxy Coated	Aluminum
	T	Tan Epoxy Coated	Aluminum
	BRN	Brown Epoxy Coated	Aluminum
	CLR	Clear Epoxy Coated	Aluminum
	US5	Satin Brass Plated, Blackened, Satin Relieved, Clear Coated	Aluminum
	A5	Aluminum	Aluminum
	AP	Aluminum, Prime Paint	Aluminum
	R	Red Epoxy Coated	Aluminum
	US26D	Satin Chrome Plated	Aluminum
690	US69	Dark Bronze Painted	Any
605	US3	Bright Brass, Clear Coated	Brass
606	US4	Satin Brass, Clear Coated	Brass
689	SP28	Aluminum Painted	Brass
691	SP10	Light Bronze Painted	Brass
693	SPBLK	Black Painted	Brass
695	SP313	Dark Bronze Painted	Brass
706	SP4	Brass	Brass
716		Satin Bronze Plated, Clear Coated	Brass
P600	P600	Primed for Paint	Brass
	BRN	Brown	Brass
	GRY	Gray	Brass
	TAN	Tan	Brass
	White	White Rubber	Brass
618	US14	Bright Nickel Plated, Clear Coated	Brass, Bronze
619	US15	Satin Nickel Plated, Clear Coated	Brass, Bronze
620	US15A	Satin Nickel Plated, Blackened, Satin Relieved, Clear Coated	Brass, Bronze
622	US19	Flat Black Coated	Brass, Bronze
625	US26	Polished Chrome Plated	Brass, Bronze
626	US26D	Satin Chrome Plated	Brass, Bronze
612	US10	Satin Bronze, Clear Coated	Bronze

BHMA	US	Description	Base Material
613	US10B	Dark Oxidized Satin Bronze, Clear Coated	Bronze
	White	White	Plastic
	BLK	Black Plastic	Plastic
	BRN	Brown Plastic	Plastic
	CLR	Clear Plastic	Plastic
	P	Plastic	Plastic
	A3	Rubber	Rubber
	R	Rubber	Rubber
	Brown	Brown Rubber	Rubber
	Tan	Tan Rubber	Rubber
	Gray	Gray Rubber	Rubber
629	US32	Polished Stainless Steel	Stainless Steel 300
630	US32D	Satin Stainless Steel	Stainless Steel 300
600	USP	Primed for Paint - Steel	Steel
600	FP	Primed for Paint - Steel	Steel
603	2G	Zinc Plated	Steel
603	2C	Zinc Plated	Steel
604	2G	Zinc Plated/Dichromate Sealed	Steel
632	US3	Bright Brass Plated, Clear Coated	Steel
638	US5	Satin Brass Plated, Blackened, Satin Relieved, Clear Coated	Steel
639	US10	Satin Bronze Plated, Clear Coated	Steel
640	US10B	Dark Oxidized Satin Bronze, Clear Coated	Steel
645	US24	Bright Nickel Plated, Clear Coated	Steel
646	US15	Satin Nickel Plated, Clear Coated	Steel
652	US26D	Satin Chrome Plated	Steel
689	SP28	Aluminum Painted	Steel
693	SPBLK	Black Painted	Steel
695	SP313	Dark Bronze Painted	Steel
695	SP313	Dark Bronze Painted	Steel
706	SP4	Brass	Steel
716		Satin Bronze Plated, Clear Coated	Steel
716	F10B		Steel
	A5	Steel	Steel
406			Zinc/Brass

Antimicrobial Coating (AM) inhibits the growth of bacteria, available on many Ives Architectural Hardware Products.

Hinges & Pivots
A

Pulls & Plates
B

Flush Bolts & Coordinators
C

Latches, Catches & Bolts
D

Stops
E

Exterior Hardware
F

Miscellaneous Hardware
G

Packaging Key

Many Ives items are available in a variety of packaging forms designated by a prefix. The Ives Price Book contains the specific packaging options for each Ives product. Below is a description of these options.

Symbol	Description of Package
C	Carded
CGC	Commercial Grade Carded
SC	Schlage Branded Carded
SP	Slim-Pak
SPS	Schlage Branded Slim-Pak

Door Handing

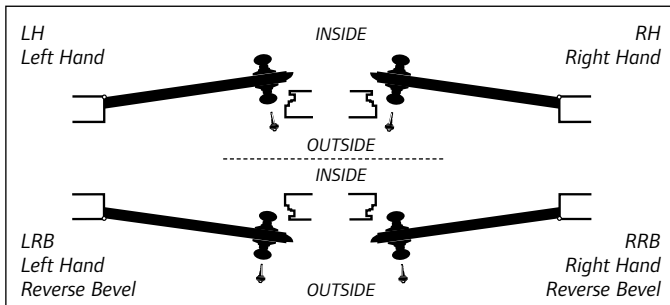


Table Of Contents

Architectural Hinges		page
General Hinge Information		A2
How to Order		A3
ANSI Hinge Identification Reference		A4
3PB1	3 Knuckle, Full Mortise	A5
3CB1	3 Knuckle, Full Mortise	A5
3CB1HW	3 Knuckle, Full Mortise	A6
3SP1	3 Knuckle, Full Mortise	A6
5PB1	5 Knuckle, Full Mortise	A7
5BB1	5 Knuckle, Full Mortise	A7
5BB1HW	5 Knuckle, Full Mortise	A8
5BB1WT	5 Knuckle, Full Mortise	A8
5BB4	5 Knuckle, Full Mortise	A9
5BB4HW	5 Knuckle, Full Mortise	A9
5BB1SC	5 Knuckle, Full Mortise	A10
5BB1SCHW	5 Knuckle, Full Mortise	A10
Electrified Hinge		A11
Residential Hinges		A12
Continuous Hinges		A13
Pivots		A31



General Hinge Information

SELECTION OF THE PROPER WEIGHT AND BEARING TYPE

- Standard Weight Plain Bearing
- Standard Weight Ball Bearing, Concealed Bearing
- Heavy Weight Ball Bearing, Concealed Bearing

CONSIDERATIONS TO DETERMINE WEIGHT AND BEARING TYPE:

- Weight of Door
 - Frequency of use
 - Frame
 - Door Hardware
- Always use ball bearing or concealed bearing hinges for doors with door closers and in all fire rated openings. Heavy weight doors and high frequency doors should use heavy weight ball bearing or concealed bearing hinges.

GUIDELINES FOR HINGE METAL

- Interior door or non-corrosive area use: Plated or painted Steel
- Interior labeled door use: Plated or Painted Steel, Stainless Steel
- Interior door in corrosive area use: Stainless Steel, Brass, Bronze
- Exterior doors use: Stainless Steel, Brass, Bronze

Standard pin material are Brass Hinge – Steel Pin,
Stainless Steel Hinge – Stainless Steel Pin, Steel Hinge – Steel Pin

GUIDELINES FOR FREQUENCY OF DOOR USAGE:

Build Type	Daily Usage	Hinge Type
High Frequency/ Heavy Weight Door		
Large Department Store Entrance	5,000	Heavy Weight
Hospital Corridor and Surgical Doors	5,000	Heavy Weight
Large Office Building Entrance	4,000	Heavy Weight
School Entrance	1,250	Heavy Weight
School Toilet Door	1,250	Heavy Weight
Office Stairwell	500	Heavy Weight
Office Building Toilet Door	400	Heavy Weight
Medium Frequency/ Medium Weight Door		
School Corridor Door	100	Standard Weight
Hospital Consultation Rooms	100	Standard Weight
Office Building Corridor Door	80	Standard Weight
Store Toilet Door	60	Standard Weight
Storage Room	50	Standard Weight
Low Frequency /Light Door		
Residential Entrance	30	Plain Bearing
Interior Residential	20	Plain Bearing

ANSI/BHMA GRADE/MINIMUM CYCLE REQUIREMENTS

Grade 1:	2,500,000	Heavy Weight Ball & Concealed Bearing
Grade 2:	1,500,000	Standard Weight Ball & Concealed Bearing
Grade 3:	350,000	Light Weight Plain Bearing

CONSIDERATIONS TO DETERMINE HINGE SIZE

- Door Width
- Door Thickness
- Weight
- Clearance

GUIDELINES FOR HINGE HEIGHT

DOOR THICKNESS IN INCHES	DOOR WIDTH IN INCHES	HINGE HEIGHT IN INCHES
1-3/8"	Up to 32"	3-1/2"
1-3/8"	32" to 37"	4"
1-3/4"	Up to 36"	4-1/2"
1-3/4"	36" to 48"	5"
1-3/4"	Over 48"	6"
2" - 2-1/2"	Up to 42"	5" heavy weight
2" - 2-1/2"	Over 42"	6" heavy weight

CLEARANCE REQUIREMENT*

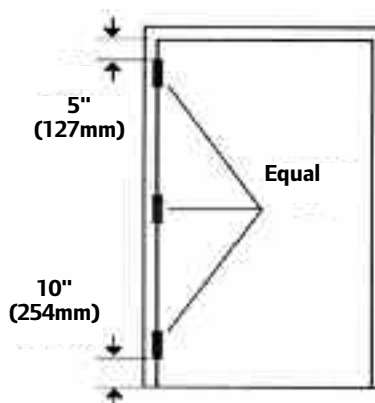
DOOR THICKNESS	CLEARANCE NEEDED	HINGE OPEN WIDTH
1-3/8"	3/4"	4"
1-3/4"	1"	4"
1-3/4"	1-1/2"	4-1/2"
1-3/4"	2"	5"
1-3/4"	3"	6"
2"	1"	4-1/2"
2"	1-1/2"	5"
2"	2-1/2"	6"
2-1/4"	1"	5"
2-1/4"	2"	6"
2-1/2"	3/4"	5"
2-1/2"	1-3/4"	6"
3"	3/4"	8"
3"	2-3/4"	8"

*Distance needed between wall and door at 180° to allow for any projections from wall; trim, decorative molding, etc.

GUIDELINES FOR NUMBER OF HINGES

- Doors under 7'6" 3 hinges
- Doors over 7'6" 4 hinges

LOCATION OF HINGES



Top hinge 5" from jamb rabbet to top of barrel

Bottom hinge 10" from bottom edge of barrel to finished floor

Third hinge centered between top and bottom hinges

Note: Some western states use a standard 7" from top and 11" from the bottom

Ives Hinge Number System

Please note: For availability of specific models, please refer to the item's catalog page or consult Customer Service.

How to Order:

	5	-	BB	-	1	-	HW	-	4.5x4.5	-	652	-	NRP
<p>Number of Knuckles: 3 - 3 Knuckle 5 - 5 Knuckle</p> <p>Function: PB Plain Bearing BB Ball Bearing CB Concealed Bearing SP Spring Hinge</p> <p>Type: 1 Full Mortise 2 Half Mortise 3 Full Surface 4 Half Surface</p> <p>Weight/Options: Blank Standard Weight HW Heavy Weight SC Swing Clear SH Security Stud WT Wide Throw HT Hospital Tip RC Round Corners, 1/4" or 5/8" Radius</p> <p>Size Examples: 3.5 x 3.5 4.5 x 5 5 x 6 <i>Larger sizes, up to 6 x 8 are available.</i> 4 x 4 4.5 x 6 5 x 7 <i>Consult factory.</i> 4.5 x 4 5 x 4.5 4.5 x 4.5 5 x 5</p> <p>Finish (Some models require extended lead times): 600 USP - Steel 605 US3 - Brass 606 US4 - Brass 612 US10 - Brass 613 US10B - Brass 619 US15 - Brass 625 US26 - Brass 626 US26D - Brass 630 US32D - Stainless 632 US3 - Steel 633 US4 - Steel 639 US10 - Steel 640 US10B - Steel 641 US10A - Steel 643 US11 - Steel 646 US15 - Steel 651 US26 - Steel 652 US26D - Steel</p> <p>Special Pins Applications: NRP Non-Removable Pin TW4 Four Wire TW8 Eight Wire MON Monitor TW4M Four Wire with Monitor TW8M Eight Wire with Monitor</p>													

A3	Hinges & Pivots
B	Pulls & Plates
C	Flush Bolts & Coordinators
D	Latches, Catches & Bolts
E	Stops
F	Exterior Hardware
G	Miscellaneous Hardware

ANSI Hinge Identification Reference

A = ANSI

First number indicates material

- 1 – Cast, forged or extruded brass or bronze
- 2 – Wrought brass or bronze
- 5 – Stainless steel
- 8 – Wrought or forged steel, or malleable iron

Second number indicates product type

- 1 – Full mortise
- 2 – Half mortise
- 3 – Full surface
- 4 – Half surface
- 5 – Anchor, pivot reinforced or thrust pivot unit or hinge sets
- 6 – Olive knuckle hinges
- 7 – Pivot hinge
- 8 – Rescue hardware

Third number indicates function

- 1 – Anti-friction bearing
- 2 – Anti-friction bearing, swing clear
- 3 – Plain bearing
- 4 – 4 to 0, special conditions

Fourth number indicates grade

- 1 – Grade 1, 4BB Extra Heavy Duty
- 2 – Grade 2, 2BB Standard Duty
- 3 – Grade 3, Plain Bearing

Example:

A8111 – Steel, Full Mortise, Anti-friction, Grade 1

A5112 – Stainless, Full Mortise, Anti Friction Bearing, Grade 2



Meets ANSI/BHMA A156.1
A8133 – Steel
A5133 – Stainless Steel
A2133 – Brass

3PB1 3 Knuckle, Plain Bearing Full Mortise Hinge

- For standard weight doors
- Low frequency usage
- Packed with wood and metal screws

Not for use with a door closer.

Options

- NRP, Non-Removable Pin
- SH, Security Stud
- HT, Hospital Tip
- RC, Round Corners - 1/4" or 5/8" Radius
- SEC, Security Fasteners - Pin-in-Socket

Dimensions

Size (Inches)	Size (mm)	Gauge
3.5 x 3.5	90 x 90	0.134
4 x 4	102 x 102	0.134
4.5 x 4	114 x 102	0.134
4.5 x 4.5	114 x 114	0.134
5 x 4.5	127 x 114	0.134



Meets ANSI/BHMA A156.1
A8112 – Steel
A5112 – Stainless Steel
A2112 – Brass

3CB1 3 Knuckle, Concealed Bearing Full Mortise Hinge

- For standard weight doors
- Medium frequency usage
- Packed with wood and metal screws

Options

- NRP, Non-Removable Pin
- SH, Security stud
- HT, Hospital Tip
- RC, Round Corners - 1/4" or 5/8" Radius
- SEC, Security Fasteners - Pin-in-Socket

Dimensions

Size (Inches)	Size (mm)	Gauge
3.5 x 3.5	90 x 90	0.134
4 x 4	102 x 102	0.134
4.5 x 4	114 x 102	0.134
4.5 x 4.5	114 x 114	0.134
5 x 4.5	127 x 114	0.134

Finishes *brass*

Ives Finish	US3	US4	US10	US10B	US10A	US11	US15	US26	US26D
BHMA	605	606	612	613	614	616	619	625	626

Finishes *steel*

Ives Finish	USP	US3	US4	US10	US10B	US10A	US11	US15	US26	US26D
BHMA	600	632	633	639	640	641	643	646	651	652

Finishes *stainless steel*

Ives Finish	US32	US32D
BHMA	629	630

Hinges & Pivots **A5**

Pulls & Plates **B**

Flush Bolts & Coordinators **C**

Latches, Catches & Bolts **D**

Stops **E**

Exterior Hardware **F**

Miscellaneous Hardware **G**



Meets ANSI/BHMA A156.1
 A8112 – Steel
 A5112 – Stainless Steel
 A2112 – Brass

3CB1HW 3 Knuckle, Concealed Bearing Full Mortise Hinge

- For heavy weight doors
- High frequency usage
- Packed with wood and metal screws

Options

- NRP, Non-Removable Pin
- SH, Security stud
- HT, Hospital Tip
- RC, Round Corners - 1/4" or 5/8" Radius
- SEC, Security Fastners - Pin-in-Socket

Dimensions

Size (Inches)	Size (mm)	Gauge
4.5 x 4	114 x 102	0.180
4.5 x 4.5	114 x 114	0.180
5 x 4.5	127 x 114	0.190
5 x 5	127 x 127	0.190



Meets ANSI/BHMA A156.7
 K81071F – Steel
 K51071F – Stainless Steel
 UL listed for use with fire rated doors

3SP1 3 Knuckle Spring Full Mortise Hinge

- For automatic closing of doors
- Packed with wood and metal screws

Options

- HT, Hospital Tip
- RC, Round Corners - 1/4" or 5/8" Radius
- SEC, Security Fastners - Pin-in-Socket

Dimensions

Size (Inches)	Size (mm)	Gauge
4 x 4	102 x 102	0.134
4.5 x 4	114 x 102	0.134
4.5 x 4.5	114 x 114	0.134

Finishes *brass*

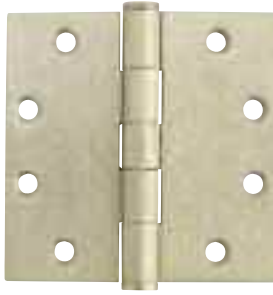
Ives Finish	US3	US4	US10	US10B	US10A	US11	US15	US26	US26D
BHMA	605	606	612	613	614	616	619	625	626

Finishes *steel*

Ives Finish	USP	US3	US4	US10	US10B	US10A	US11	US15	US26	US26D
BHMA	600	632	633	639	640	641	643	646	651	652

Finishes *stainless steel*

Ives Finish	US32	US32D
BHMA	629	630



Meets ANSI/BHMA A156.1
A8133 – Steel
A5133 – Stainless Steel
A2133 – Brass

5PB1 5 Knuckle, Plain Bearing Full Mortise Hinge

- For standard weight doors
- Low frequency usage
- Packed with wood and metal screws

Not for use with a door closer.

Options

- NRP, Non-Removable Pin
- SH, Security Stud
- HT, Hospital Tip
- RC, Round Corners - 1/4" or 5/8" Radius
- SEC, Security Fastners - Pin-in-Socket

Dimensions

Size (Inches)	Size (mm)	Gauge
3.5 x 3.5	89 x 89	0.123
4 x 4	102 x 102	0.134
4.5 x 4	114 x 102	0.134
4.5 x 4.5	114 x 114	0.134
5 x 4.5	127 x 114	0.134



Meets ANSI/BHMA A156.1
A8112 – Steel
A5112 – Stainless Steel
A2112 – Brass

5BB1 5 Knuckle, Ball Bearing Full Mortise Hinge

- For standard weight doors
- Medium frequency usage
- 2 ball bearing
- Packed with wood and metal screws

Options

- NRP, Non-Removable Pin
- SH, Security Stud
- HT, Hospital Tip
- RC, Round Corners - 1/4" or 5/8" Radius
- SEC, Security Fastners - Pin-in-Socket

Dimensions

Size (Inches)	Size (mm)	Gauge	Size (Inches)	Size (mm)	Gauge
3.5 x 3.5	80 x 102	0.130	5 x 4.5	127 x 114	0.146
4 x 4	102 x 102	0.130	5 x 5	127 x 127	0.146
4.5 x 4	114 x 102	0.134			
4.5 x 4.5	114 x 114	0.134			

Finishes *brass*

Ives Finish	US3	US4	US10	US10B	US10A	US11	US15	US26	US26D
BHMA	605	606	612	613	614	616	619	625	626

Finishes *steel*

Ives Finish	USP	US3	US4	US10	US10B	US10A	US11	US15	US26	US26D
BHMA	600	632	633	639	640	641	643	646	651	652

Finishes *stainless steel*

Ives Finish	US32	US32D
BHMA	629	630

Hinges & Pivots
A7

Pulls & Plates
B

Flush Bolts & Coordinators
C

Latches, Catches & Bolts
D

Stops
E

Exterior Hardware
F

Miscellaneous Hardware
G



Meets ANSI/BHMA A156.1
 A8111 – Steel
 A5111 – Stainless Steel
 A2111 – Brass

5BB1HW 5 Knuckle, Ball Bearing, Heavy Weight Full Mortise Hinge

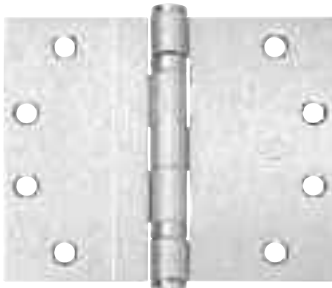
- For heavy weight doors
- High frequency usage
- 4 ball bearing
- Packed with wood and metal screws

Options

- NRP, Non-Removable Pin
- SH, Security Stud
- HT, Hospital Tip
- RC, Round Corners - 1/4" or 5/8" Radius
- SEC, Security Fastners - Pin-in-Socket

Dimensions

Size (Inches)	Size (mm)	Gauge	Size (Inches)	Size (mm)	Gauge
4.5 x 4	114 x 102	0.180	5 x 4.5	127 x 114	0.190
4.5 x 4.5	114 x 114	0.180	5 x 5	127 x 127	0.190



Meets ANSI/BHMA A156.1
 A8111 – Steel

5BB1WT 5 Knuckle, Ball Bearing, Wide Throw Full Mortise Hinge

- For medium weight doors
- Medium frequency usage
- 2 ball bearing
- Packed with wood and metal screws

Options

- NRP, Non-Removable Pin
- SH, Security Stud
- HT, Hospital Tip
- RC, Round Corners - 1/4" or 5/8" Radius
- SEC, Security Fastners - Pin-in-Socket

Dimensions

Size (Inches)	Size (mm)	Gauge
4.5 x 5	114 x 127	0.134
4.5 x 6	114 x 152	0.134
5 x 6	127 x 152	0.146
5 x 7	127 x 178	0.146
5 x 8	127 x 203	0.146

Finishes *brass*

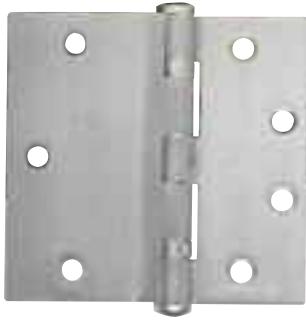
Ives Finish	US3	US4	US10	US10B	US10A	US11	US15	US26	US26D
BHMA	605	606	612	613	614	616	619	625	626

Finishes *steel*

Ives Finish	USP	US3	US4	US10	US10B	US10A	US11	US15	US26	US26D
BHMA	600	632	633	639	640	641	643	646	651	652

Finishes *stainless steel*

Ives Finish	US32	US32D
BHMA	629	630



Meets ANSI/BHMA A156.1
A8412 – Steel

5BB4 5 Knuckle, Ball Bearing, Half Surface Hinge

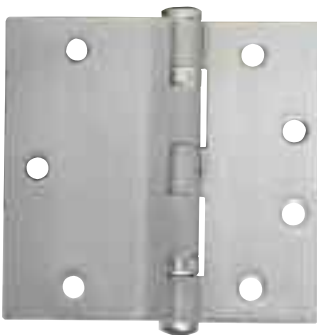
- For standard weight doors
- Medium frequency usage
- 2 ball bearing
- Packed with through bolts, grommets and sheet metal screws

Options

- NRP, Non-Removable Pin
- HT, Hospital Tip
- RC, Round Corners - 1/4" or 5/8" Radius
- SEC, Security Fastners - Pin-in-Socket

Dimensions

Size (Inches)	Size (mm)	Gauge
4.5	114	0.134



Meets ANSI/BHMA A156.1
A8411 – Steel

5BB4HW 5 Knuckle, Ball Bearing, Half Surface Heavy Weight Hinge

- For heavy weight doors
- High frequency usage
- 4 ball bearing
- Packed with through bolts, grommets and sheet metal screws

Options

- NRP, Non-Removable Pin
- HT, Hospital Tip
- RC, Round Corners - 1/4" or 5/8" Radius
- SEC, Security Fastners - Pin-in-Socket

Dimensions

Size (Inches)	Size (mm)	Gauge
4.5	114	0.180

Finishes *brass*

Ives Finish	US3	US4	US10	US10B	US10A	US11	US15	US26	US26D
BHMA	605	606	612	613	614	616	619	625	626

Finishes *steel*

Ives Finish	USP	US3	US4	US10	US10B	US10A	US11	US15	US26	US26D
BHMA	600	632	633	639	640	641	643	646	651	652

Finishes *stainless steel*

Ives Finish	US32	US32D
BHMA	629	630

Hinges & Pivots
A9

Pulls & Plates
B

Flush Bolts & Coordinators
C

Latches, Catches & Bolts
D

Stops
E

Exterior Hardware
F

Miscellaneous Hardware
G



Meets ANSI/BHMA A156.1
A8122 – Steel
A5122 – Stainless Steel
A2122 – Brass

5BB1SC 5 Knuckle, Ball Bearing, Swing Clear Full Mortise Hinge

- For standard weight doors
- Square edge standard
- Medium frequency usage
- 2 ball bearing
- Packed with flat head wood and metal screws

Designed to completely clear the opening when door is opened 92 degrees.

Options

- NRP, Non-Removable Pin
- B, beveled edge door
- HT, Hospital Tip
- RC, Round Corners - 1/4" or 5/8" Radius
- SEC, Security Fastners - Pin-in-Socket

Dimensions

Size (Inches)	Size (mm)	Gauge
4.5	114	0.134
5	127	0.134



Meets ANSI/BHMA A156.1
A8121 – Steel

5BB1SCHW 5 Knuckle, Ball Bearing, Swing Clear Heavy Weight Full Mortise Hinge

- For heavy weight doors
- Beveled edge standard
- High frequency usage
- 2 ball bearing
- Packed with flat head wood and metal screws

Designed to completely clear the opening when door is opened 92 degrees.

Options

- NRP, Non-Removable Pin
- B, beveled edge door
- HT, Hospital Tip
- RC, Round Corners - 1/4" or 5/8" Radius
- SEC, Security Fastners - Pin-in-Socket

Dimensions

Size (Inches)	Size (mm)	Gauge
4.5	114	0.180
5	127	0.190

Finishes *brass*

Ives Finish	US3	US4	US10	US10B	US10A	US11	US15	US26	US26D
BHMA	605	606	612	613	614	616	619	625	626

Finishes *steel*

Ives Finish	USP	US3	US4	US10	US10B	US10A	US11	US15	US26	US26D
BHMA	600	632	633	639	640	641	643	646	651	652

Finishes *stainless steel*

Ives Finish	US32	US32D
BHMA	629	630



UL Listed - UL634
 Meets ANSI/BHMA A156.1
 A8111 - Steel
 A5111 - Stainless Steel
 A2111 - Brass

Electrified Hinge

Available Options

- Through Wire - TW4 (4 wires) & TW8 (8 wires)
- Monitor - MON
- Through Wire with Monitor - TW4M & TW8M
- Available in 3 and 5 Knuckle
- One hinge per box, packed with wood and machine screws
- Hinge is NRP as a standard
- High quality brass ferrules and plastic tubing protect the wires
- Through-wire hinges cycle tested to ensure durability
- Ives warranty applies - 12 months from date of shipment

Through-Wire is rated for 50 volts AC/DC at 3.5 amp continuous and 16 amp pulse, maximum pulse 400 mili second.
 Monitor rated 30VDC at .5 amp

Finishes *brass*

Ives Finish	US3	US4	US10	US10B	US10A	US11	US15	US26	US26D
BHMA	605	606	612	613	614	616	619	625	626

Finishes *steel*

Ives Finish	USP	US3	US4	US10	US10B	US10A	US11	US15	US26	US26D
BHMA	600	632	633	639	640	641	643	646	651	652

Finishes *stainless steel*

Ives Finish	US32	US32D
BHMA	629	630

Hinges & Pivots
A11

Pulls & Plates
B

Flush Bolts & Coordinators
C

Latches, Catches & Bolts
D

Stops
E

Exterior Hardware
F

Miscellaneous Hardware
G

A12	Hinges & Pivots
B	Pulls & Plates
C	Flush Bolts & Coordinators
D	Latches, Catches & Bolts
E	Stops
F	Exterior Hardware
G	Miscellaneous Hardware



1010
Schlage Carded Only



1011



1012
Schlage Carded Only



1020
Schlage Carded Only



1021
Schlage Carded Only

1000 Series Residential Hinges

- Full mortise hinges in 2 sizes: 3-1/2" and 4".
- Two corner options: Square corners and 5/8" or 1/4" radius corners.
- Substrates include: Steel.

Model	Size	Corner
1010	3-1/2" x 3-1/2"	Square Corner
1011	3-1/2" x 3-1/2"	5/8" Radius Corner
1012	3-1/2" x 3-1/2"	1/4" Radius Corner
1020	4" x 4"	Square Corner
1021	4" x 4"	5/8" Radius Corner

Finishes *steel*

Ives Finish	F605E	F609E	F619E	F620E*	F625E**	F716E
BHMA	632		646		651	

* not available on 1012 hinge

* only available on 1011

Ives Continuous Hinges are designed to last the life of the building. The unique design distributes the weight of the door along the entire length of the frame, reducing the high amount of stress normally associated at top of door and frame on butt hinge applications. Not only does this reduce hinge failure, it also keeps your door in constant alignment, eliminating the chance of door sag. These characteristics make continuous hinges suitable for high use/high traffic doors.

The design of a continuous hinge eliminates the gap between the door and the frame. The absence of gap also helps prevent finger from being pinched, making it a safer device than traditional hinges. These benefits result in higher efficiency and less maintenance, maximizing the value of your opening investment.

Continuous hinges are available in two styles; aluminum geared and pin and barrel in steel or stainless steel.



Continuous Hinge Table Of Contents

	page
Continuous Hinge Types	A14
Cross Reference Guide	A15
Aluminum Geared Hinges	
General Information	A16
Electrified Options	A16
How to Order	A17
Door Sizing	A18
045HDHalf Surface A19
046HDHalf Surface A19
053HDHalf Surface A20
054HDHalf Surface A20
112HDFull Mortise A21
157HDFull Surface, Center Pivot A21
210HDFull Surface, Swing Clear A22
224HDFull Mortise, Edge Protector A22
Electrical Cutouts	A23
Pin and Barrel Hinges	
General Information	A24
Electrified Options	A24
How to Order	A25
Door Sizing	A26
600, 700Full Mortise A27
602, 702Full Surface A27
611, 711Swing Clear A28
705Full Mortise, Full Wrap A28
715Full Mortise, Full Wrap A29
Electrical Cutouts	A30

A14 Hinges & Pivots
B Pulls & Plates
C Flush Bolts & Coordinators
D Latches, Catches & Bolts
E Stops
F Exterior Hardware
G Miscellaneous Hardware

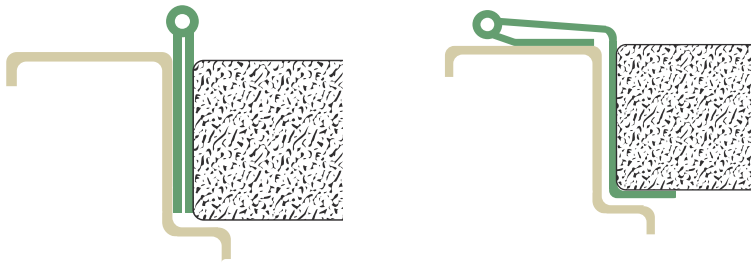
Aluminum Geared

Geared continuous hinges utilize a single gear section for the leaf and a separate gear section for the frame side of the door. The two are held in place together by a full length cover channel and rotate on a series of bearings.



Pin and Barrel

Pin and Barrel hinges share many of the same characteristics of a traditional hinge. Both have a center pin and rolled knuckles. However, a continuous Pin and Barrel hinge stretches along the entire length of the frame. Ives offers both stainless steel and primed steel to best match your specific application.



Lifetime Warranty Ives continuous hinges carry a limited lifetime warranty, ensuring your opening will function to your satisfaction every time.

Cross Reference Guide

Ives	Hager	Markar	McKinney	Pemko	Select	Stanley
Geared						
045HD	780-045HD					
046HD	780-046HD					
053HD	780-053HD					
054HD	780-054HD					
112HD	780-112HD		MCK-12HD	FMSLFHD	SL11HD	661HD
210HD	780-210HD		MCK-22HD	FSHD	SL21HD	665HD
224HD	780-224HD		MCK-25HD	FMHD	SL24HD	662HD
157HD	780-157HD		MCK-58HD	FSCPHD	SL57HD	664HD
Pin and Barrel						
600		FM200			SL200	
602		FS202				
611		N/A				
700	790-900	FM300			SL300	651
702		FS302			SL302	
705	790-905	HG305			SL305	652
711	790-911	HG311			SL311	656
715	790-915	HG315				653

A15
Hinges & Pivots

B
Pulls & Plates

C
Flush Bolts & Coordinators

D
Latches, Catches & Bolts

E
Stops

F
Exterior Hardware

G
Miscellaneous Hardware

Aluminum Geared Hinges

General Information

Material

6063-T6 Aluminum

Standard Lengths

83", 85", 95", 120"

Custom lengths are available up to 120", consult factory.

Finishes

CL - US28 (628) Clear Anodized

BR - 313AN (710) Dark Bronze

Hinge Duty

All Ives Aluminum Geared Hinges are Heavy Duty (HD).

Amount of bearings varies by size:

83" – 32 Bearings

85" – 32 Bearings

95" – 36 Bearings

120" – 47 Bearings

Door Weight

Each hinge can hold a door up to 450 lbs (Rivet nuts recommended) and a max door width of 4'0".

ANSI Certified

All Ives Aluminum Geared Hinges are certified to ANSI 156.26, Grade 1

UL Listed

All Ives Aluminum Geared Hinges are tested and approved UL 10C (90 minutes).

Field Modifications:

All Ives Aluminum Geared Continuous Hinges can be cut to length during installation. The unique mounting pattern allows to cut up to 6" from bottom while still having double row fasteners. If cut more than 13.5", other modifications may be necessary.

Electrification Options

Only available for the full mortise hinges

Electric Power Transfer (EPT)

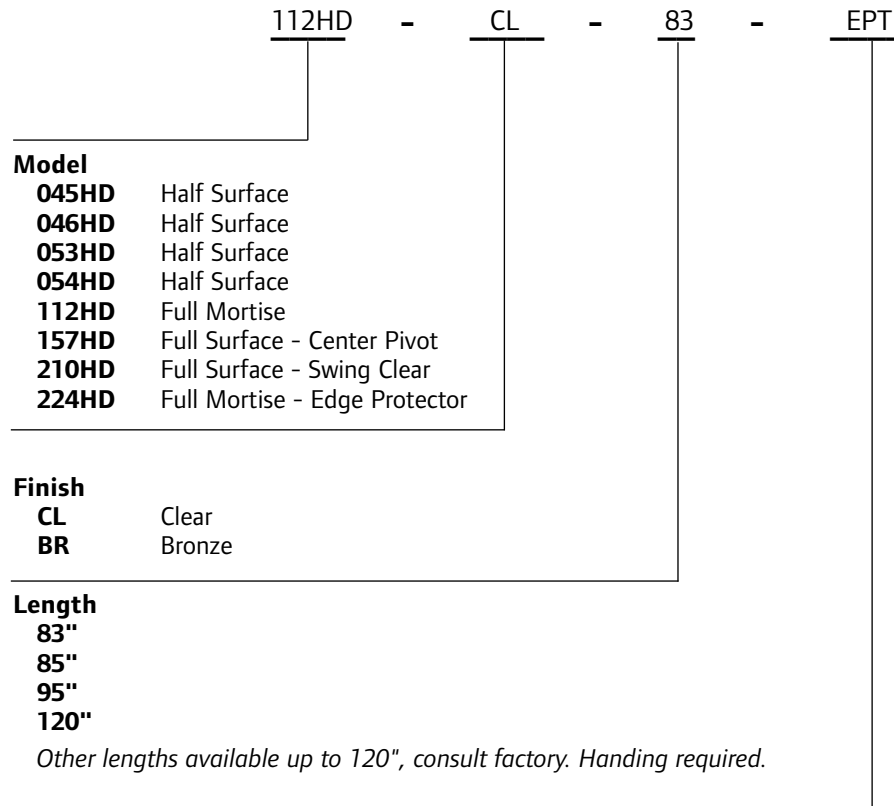
Electric power transfer provides a means of transferring power from the door frame to the edge of a swinging door. Ives Continuous Hinges provide standard cut outs to fit Von Duprin EPT-2, EPT-10 and PNT-1 devices. Consult factory for other electrical cut out options.

Electrical Through-Wire (TW)

Provides electric power transfer from the frame to the door in order to supply power to an electrified mortise or cylindrical locks, exit devices with electric latch retraction, and/or electric strikes (pairs of doors). Through-wire is rated 50 volts AC/DC at 3.5 amp continuous and 16 amp pulse. Maximum pulse 400 milliseconds. Ives thru-wire hinges are fully compatible with 4 wire and 8 wire installations.

Aluminum Geared Hinges

How to Order:

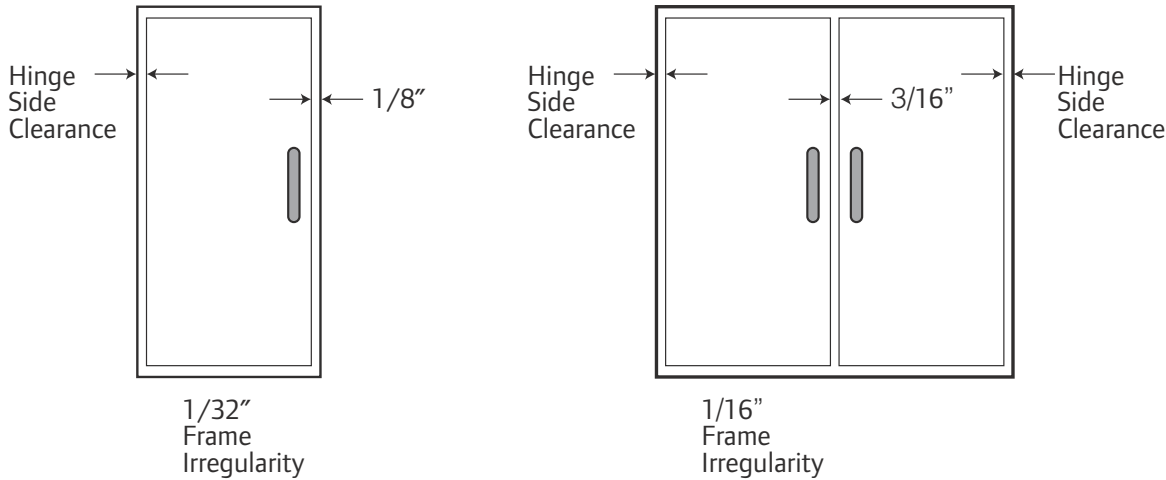


Options

- * **EPT** Electric Power Transfer Prep
- * **TW8** Electric Through Wire
- SEC** Security Fasteners - Pin-in-Socket
- WD** Wood Fasteners
- HM** Thread forming screws (pilot hole required)

* Full Mortise Models Only

Aluminum Geared Hinges - Clearance Requirements



SINGLE DOOR

Model	Hinge-Side Clearance	Lock-Side Clearance	Frame Irregularity	Beveled Door Clearance	Door Under-Sizing Square Edged	Door Under-Sizing Beveled Edged
045HD	5/32"	1/8"	1/32"	1/32"	5/16"	11/32"
046HD	5/32"	1/8"	1/32"	1/32"	5/16"	11/32"
053HD	5/32"	1/8"	1/32"	1/32"	5/16"	11/32"
054HD	5/32"	1/8"	1/32"	1/32"	5/16"	11/32"
112HD	5/16"	1/8"	1/32"	1/32"	15/32"	1/2"
224HD	5/16"	1/8"	1/32"	1/32"	15/32"	1/2"
210HD	1/16"	1/8"	1/32"	1/32"	7/32"	1/4"
157HD	1/16"	1/8"	1/32"	1/32"	7/32"	1/4"

PAIR OF DOORS

Model	Hinge-Side Clearance	Lock-Side Clearance	Frame Irregularity	Beveled Door Clearance	Square Edged Total	Square Edged Each Door	Beveled Edged Total	Beveled Edged Each Door
045HD	5/32"	3/16"	1/16"	1/16"	9/16"	9/32"	5/8"	5/16"
046HD	5/32"	3/16"	1/16"	1/16"	9/16"	9/32"	5/8"	5/16"
053HD	5/32"	3/16"	1/16"	1/16"	9/16"	9/32"	5/8"	5/16"
054HD	5/32"	3/16"	1/16"	1/16"	9/16"	9/32"	5/8"	5/16"
112HD	5/16"	3/16"	1/16"	1/16"	7/8"	7/16"	15/16"	15/32"
224HD	5/16"	3/16"	1/16"	1/16"	7/8"	7/16"	15/16"	15/32"
210HD	1/16"	3/16"	1/16"	1/16"	3/8"	3/16"	7/16"	7/32"
157HD	1/16"	3/16"	1/16"	1/16"	3/8"	3/16"	7/16"	7/32"

Templates and installation instructions available on line at ives.ingersollrand.com



045HD Half Surface Continuous Hinge

- Half surface for retrofit or new construction
- Non-handed
- Frame leaf depth 1-9/16"
- 9/32" door inset

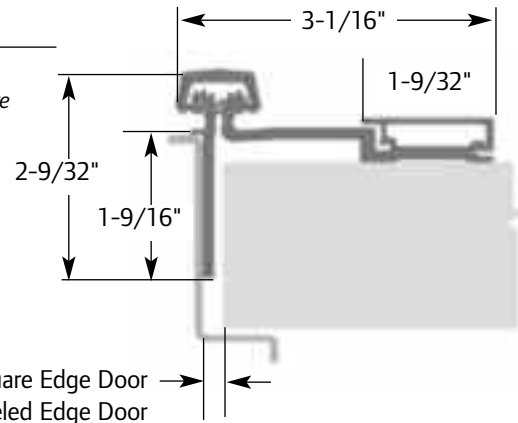
Standard lengths 83", 85", 95", 120"

Standard Mounting Hardware

- 12-24 x 1/2" steel self tapping screw
- 1/4-20 x 1-1/2" AL Sex Bolt
- 1/4-20 x 1" Steel Shoulder Bolt
- 12-24 x 3/4" Steel Self Drilling Shoulder Bolt
- Optional SEC-Security Fasteners available

Finishes

Clear (CL), Dark Bronze (DB)
Custom Anodizing and Painting are available, consult factory.



5/32" Clearance for Square Edge Door
3/16" Clearance For Beveled Edge Door



046HD Half Surface Continuous Hinge

- Half surface for retrofit or new construction
- Non-handed
- Frame leaf depth 1-15/16"
- 9/32" door inset

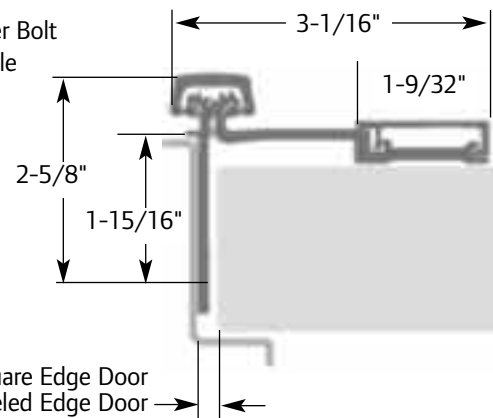
Standard lengths 83", 85", 95", 120"

Standard Mounting Hardware

- 12-24 x 1/2" steel self tapping screw
- 1/4-20 x 1-1/2" AL Sex Bolt
- 1/4-20 x 1" Steel Shoulder Bolt
- 12-24 x 3/4" Steel Self Drilling Shoulder Bolt
- Optional SEC-Security Fasteners available

Finishes

Clear (CL), Dark Bronze (DB)
Custom Anodizing and Painting are available, consult factory.



5/32" Clearance for Square Edge Door
3/16" Clearance For Beveled Edge Door

A20	Hinges & Pivots
B	Pulls & Plates
C	Flush Bolts & Coordinators
D	Latches, Catches & Bolts
E	Stops
F	Exterior Hardware
G	Miscellaneous Hardware



053HD Half Surface Continuous Hinge

- Half surface for retrofit or new construction
- Non-handed
- Frame leaf depth 1-9/16"
- 1/8" door inset

Standard lengths 83", 85", 95", 120"

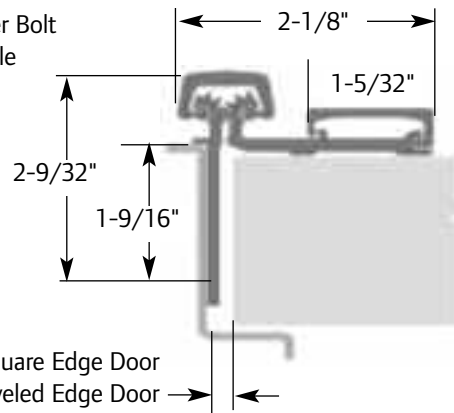
Standard Mounting Hardware

- 12-24 x 1/2" steel self tapping screw
- 1/4-20 x 1-1/2" AL Sex Bolt
- 1/4-20 x 1" Steel Shoulder Bolt
- 12-24 x 3/4" Steel Self Drilling Shoulder Bolt
- Optional SEC-Security Fasteners available

Finishes

Clear (CL), Dark Bronze (DB)

Custom Anodizing and Painting are available, consult factory.



5/32" Clearance for Square Edge Door

3/16" Clearance For Beveled Edge Door



054HD Half Surface Continuous Hinge

- Half surface for retrofit or new construction
- Non-handed
- Frame leaf depth 1-15/16"
- 1/8" door inset

Standard lengths 83", 85", 95", 120"

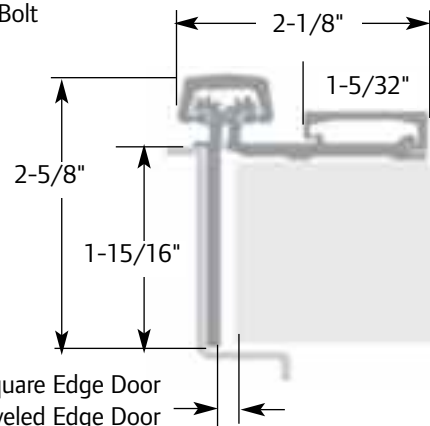
Standard Mounting Hardware

- 12-24 x 1/2" steel self tapping screw
- 1/4-20 x 1-1/2" AL Sex Bolt
- 1/4-20 x 1" Steel Shoulder Bolt
- 12-24 x 3/4" Steel Self Drilling Shoulder Bolt
- Optional SEC-Security Fasteners available

Finishes

Clear (CL), Dark Bronze (DB)

Custom Anodizing and Painting are available, consult factory.



5/32" Clearance for Square Edge Door

3/16" Clearance For Beveled Edge Door



112HD Full Moritse Aluminum Geared Continuous Hinge

- Non Handed
- Flush Mounted, No Inset
- 48" Maximum Door Width
- Beveled or Square Edge Doors

For Doors Weighing up to 450 pounds without reinforcing,
600 pounds with reinforcing

Standard lengths 83", 85", 95", 120"

Standard Mounting Hardware

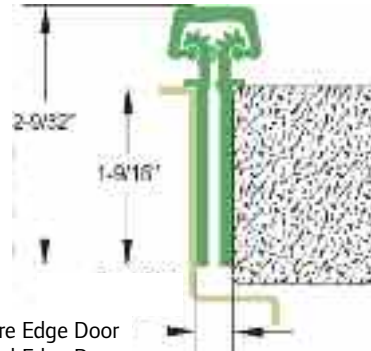
12-24 X 3/4" Steel Self Drilling, Self Tapping Screws

Optional WD - Wood Screws or SEC - Security Fasteners Available

Finishes

Clear (CL), Dark Bronze (DB)

Custom Anodizing and Painting are available, consult factory.



5/16" Clearance for Square Edge Door
1/32" Clearance For Beveled Edge Door



157HD Full Surface, Center Pivot Aluminum Geared Continuous Hinge

- Non Handed
- Narrow Frame
- 1/16" Door Inset
- 48" Maximum Door Width
- Beveled or Square Edge Doors

For Doors Weighing up to 600 pounds

Standard lengths 83", 85", 95", 120"

Standard Mounting Hardware

12-24 X 1/2" Steel Self Tapping Screws,

1/4-20 X 1-1/2" AL Sex Bolt, 1/4-20 X 1" Steel Shoulder Bolt,

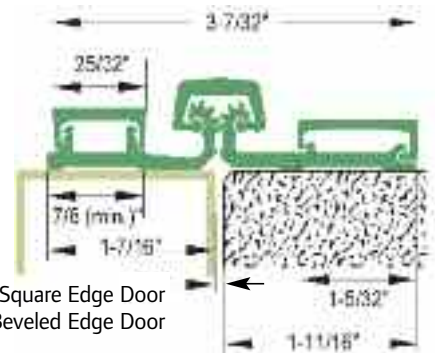
12-24 X 3/4" Steel Self Drilling,

Optional SEC - Security Fasteners Available

Finishes

Clear (CL), Dark Bronze (DB)

Custom Anodizing and Painting are available, consult factory.



1/16" Clearance for Square Edge Door
3/32" Clearance For Beveled Edge Door

Hinges & Pivots
A21

Pulls & Plates
B

Flush Bolts & Coordinators
C

Latches, Catches & Bolts
D

Stops
E

Exterior Hardware
F

Miscellaneous Hardware
G

A22	Hinges & Pivots
B	Pulls & Plates
C	Flush Bolts & Coordinators
D	Latches, Catches & Bolts
E	Stops
F	Exterior Hardware
G	Miscellaneous Hardware



210HD Full Surface, Swing Clear Aluminum Geared Continuous Hinge

- Non Handed
- 1/32" Door Inset
- 48" Maximum Door Width
- Beveled or Square Edge Doors

For Doors Weighing up to 600 pounds

Standard lengths 83", 85", 95", 120"

Standard Mounting Hardware

12-24 X 1/2" Steel Self Tapping Screws,

1/4-20 X 1-1/2" AL Sex Bolt

1/4-20 X 1" Steel

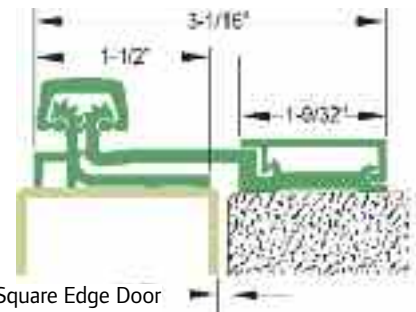
Shoulder Bolt, 12-24 X 3/4" Steel Self Drilling,

Optional *SEC - Security Fasteners Available*

Finishes

Clear (CL), Dark Bronze (DB)

Custom Anodizing and Painting are available, consult factory.



1/16" Clearance for Square Edge Door
3/32" Clearance For Beveled Edge Door



224HD Full Mortise Aluminum Geared Continuous Hinge

- Non Handed
- Door Edge Protector
- 48" Maximum Door Width
- 1/16" Door Inset
- Beveled or Square Edge Doors

For Doors Weighing up to 450 pounds without reinforcing,
600 pounds with reinforcing

Standard lengths 83", 85", 95", 120"

Standard Mounting Hardware

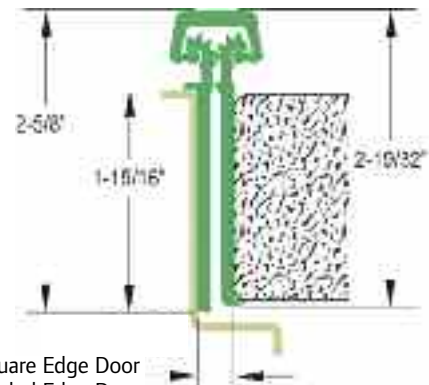
12-24 X 3/4" Steel Self Drilling, Self Tapping Screws

Optional *WD - Wood Screws or SEC - Security Fasteners Available*

Finishes

Clear (CL), Dark Bronze (DB)

Custom Anodizing and Painting are available, consult factory.



5/16" Clearance for Square Edge Door
1/32" Clearance For Beveled Edge Door

Electrical Cutouts

Ives Aluminum Geared Continuous Hinges are available with factory modified cutouts to accommodate most electrical frame to door requirements. Special templates are required.

When ordering indicate the following:

1. Opening size.
2. Handing. LH, RH, RHR or LHR.
3. Manufacturer and model number of the electrical product being used. Example; Von Duprin EPT2

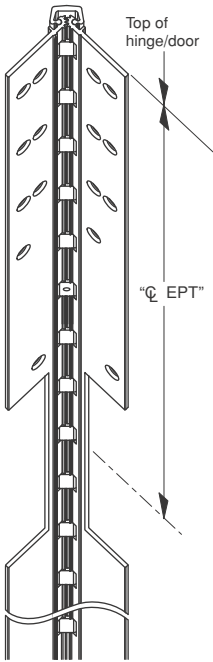
Because clearances may vary between door and frame manufacturer, and locations can be influenced by the door hardware it is always recommend contacting Ives Customer Technical for specific template information.

For your general information below are standard locations for Von Duprin EPT2 or EPT10, and monitor switch.

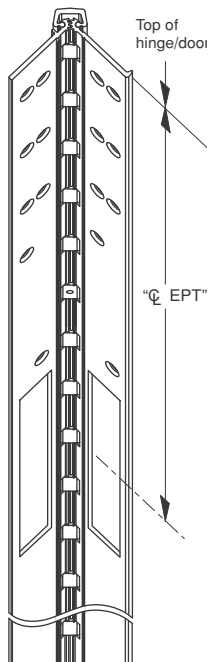
From Top Edge of Door to Center Line of Cut-Out

Standard Length	112HD EPT	224HD EPT	112HD/224HD TW
83"	30"	30"	41-1/2"
85"	32"	32"	42-1/2"
95"	42"	42"	57-3/4"
120"	67"	67"	81-25/32"

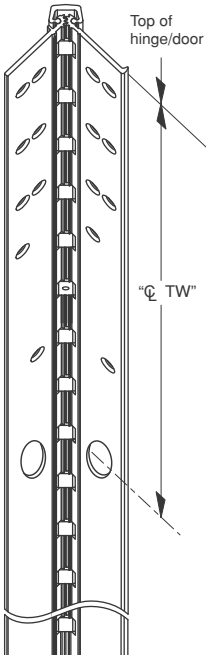
**EPT
112HD**



**EPT
224HD**



**TW
112HD
224HD**



Pin and Barrel Hinges

General Information

Standard Lengths

83", 85", 95", 120"

Custom lengths are available up to 120", consult factory.

Finishes

US32D (630) Satin Stainless Steel

USP (600) Steel, Primed for Paint

Barrel Type

Twin Self Lubricated Nylon Bearings with Stainless Steel Pin.

Door Weight

Each hinge can hold a door up to 600 lbs (Rivet nuts recommended) and a max door width of 4'0".

ANSI Certified

All Ives Pin and Barrel Hinges certified to ANSI 156.26, Grade 1.

UL Listed

All Ives Steel and Stainless Steel Pin and Barrel Hinges are tested and approved UL 10C (3 hr).

Field Modifications

All Ives Pin and Barrel Continuous Hinges can be cut to length during installation. If more than 6" from bottom of hinge, additional modifications may be necessary.

Electrification Options

Only available for the Full Mortise Hinges

Electric Power Transfer (EPT)

Electric power transfer provides a means of transferring power from the door frame to the edge of a swinging door. Ives Continuous Hinges provide cut outs to fit Von Duprin EPT-2, EPT-10 and PNT-1 devices. Consult factory for other EPT cut out options.

Electrical Through-Wire (TW)

Provides electric power transfer from the frame to the door in order to supply power to an electrified mortise or cylindrical locks, exit devices with electric latch retraction, and/or electric strikes (pairs of doors). Through-wire is rated for 3.5 amp continuous and 16 amp pulse. Ives thru-wire are fully compatible with 4 wire and 8 wire installations.

Pin and Barrel Hinges

How to Order:

700 - US32D - 83 - EPT

Model

Stainless Steel

- 700 Full Mortise
- 702 Full Surface - Center Pivot
- 705 Full Mortise - Full Wrap
- 711 Full Surface - Swing Clear
- 715 Full Mortise - Half Wrap

Steel

- 600 Full Mortise
- 602 Full Surface - Center Pivot
- 611 Full Surface - Swing Clear

Finish

Stainless Steel

US32D (630)

Steel

USP (600) Primed

Length

- 83"
- 85"
- 95"
- 120"

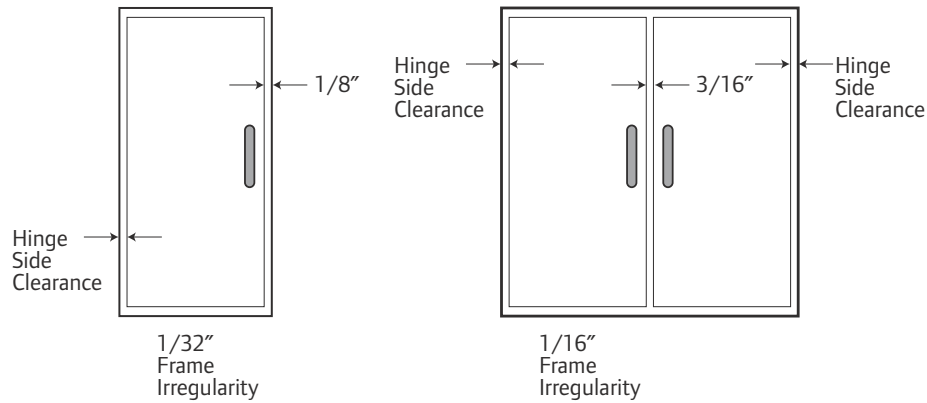
Other lengths available up to 120", consult factory. Handing is required.

Options

- * EPT Electric Power Transfer Prep
- * TW8 Electric Through Wire
- * TW4M, TW8M Electric Through Wire + Monitoring
- SF Security Fasteners - Torx
- WD Wood Fasteners

* Full Mortise Models Only

Pin and Barrel Hinges - Clearance Requirements



SINGLE DOOR

Model	Hinge-Side Clearance	Lock-Side Clearance	Frame Irregularity	Beveled Door Clearance	Door Under-Sizing	
					Square Edged	Beveled Edged
600	1/4"	1/8"	1/32"	1/32"	13/32"	7/16"
602	1/8"	1/8"	1/32"	1/32"	9/32"	5/16"
700	1/4"	1/8"	1/32"	1/32"	13/32"	7/16"
702	1/8"	1/8"	1/32"	1/32"	9/32"	5/16"
705	3/8"	1/8"	1/32"	1/32"	17/32"	9/16"
705*	1/2"	1/8"	1/32"	1/32"	21/32"	11/16"
711	7/32"	1/8"	1/32"	1/32"	3/8"	13/32"
715	1/4"	1/8"	1/32"	1/32"	13/32"	7/16"

* Use the Adjusta-Studs with 705

PAIR OF DOORS

Model	Hinge-Side Clearance	Lock-Side Clearance	Frame Irregularity	Beveled Door Clearance	Square Edged Total	Door Under-Sizing		
						Square Edged Each Door	Beveled Edged Total	Beveled Edged Each Door
600	1/4"	3/16"	1/16"	1/16"	3/4"	3/8"	13/16"	13/32"
602	1/8"	3/16"	1/16"	1/16"	1/2"	1/4"	9/16"	9/32"
700	1/4"	3/16"	1/16"	1/16"	3/4"	3/8"	13/16"	13/32"
702	1/8"	3/16"	1/16"	1/16"	1/2"	1/4"	9/16"	9/32"
705	3/8"	3/16"	1/16"	1/16"	1"	1/2"	1-1/16"	17/32"
705*	1/2"	3/16"	1/16"	1/16"	1-1/4"	5/8"	1-5/16"	21/32"
711	7/32"	3/16"	1/16"	1/16"	11/16"	11/32"	3/4"	3/8"
715	1/4"	3/16"	1/16"	1/16"	3/4"	3/8"	13/16"	13/32"

* Use the Adjusta-Studs with 705



600
700 **Full Mortise Pin and Barrel Continuous Hinge**

For Doors Weighing up to 600 pounds

- Non Handed
- 1/8" Inset
- 48" Maximum Door Width
- Non Handed
- Bevel or Square Edge Door

Standard lengths 83", 85", 95", 120"

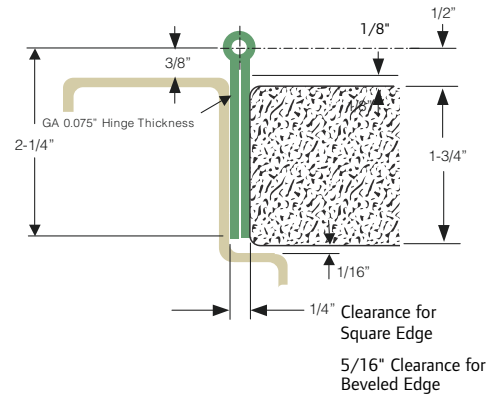
Standard Mounting Hardware

#10 X 1/2" Self Drilling Self Tapping Screws,
#10 X 1" Wood Screws

Optional SEC - Security Fasteners Available

Material

600- 1012 Cold-Rolled Steel
700- 14 Gauge Type 304 Stainless Steel
1/4" Diameter 304 Stainless Pin with
Nylon Split Bearing



Finishes	600	700
BHMA	600	630
US Numbers	USP	US32D

Custom Paint Available, on 600
consult factory.



602
702 **Full Surface Pin and Barrel Continuous Hinge**

For Doors Weighing up to 600 pounds

- Non Handed
- Flush Mounted, No Inset
- 48" Maximum Door Width
- Bevel or Square Edge Door

Standard lengths 83", 85", 95", 120"

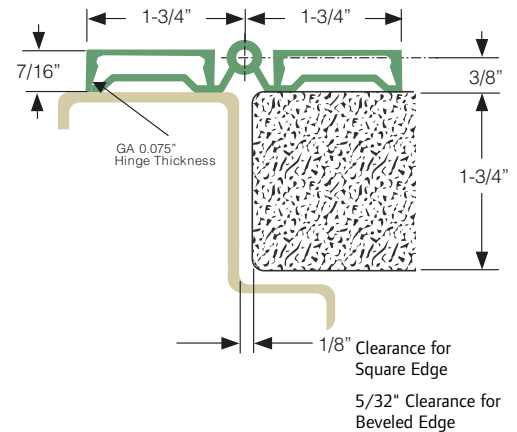
Standard Mounting Hardware

1/4"-20 x 3/4" Self Drilling Self Tapping Screws,
Cover Clips

Optional SEC - Security Fasteners Available

Material

602- 1012 Cold-Rolled Steel
702 - 14 Gauge Type 304 Stainless Steel
1/4" Diameter 304 Stainless Pin with
Nylon Split Bearing
Brushed Aluminum Leaf Covers



Finishes	602	702
BHMA	600	630
US Numbers	USP	US32D

Custom Paint Available, on 602
consult factory.



611 711 Swing Clear Pin and Barrel Continuous Hinge

For Doors Weighing up to 600 pounds

- Non Handed
- Edge Guard
- 48" Maximum Door Width
- Square Edge Door

Standard lengths 83", 85", 95", 120"

Standard Mounting Hardware

#10 X 1/2" Self Drilling Self Tapping Screws

#10 X 1" Wood Screws

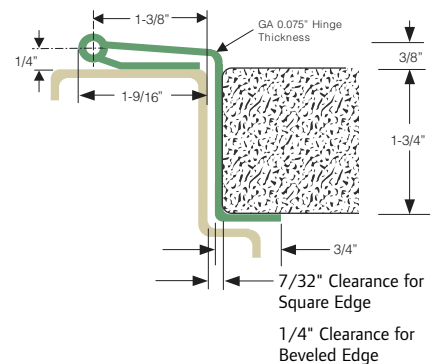
Optional SEC - Security Fasteners Available

Material

611- 1012 Cold-Rolled Steel

711- 14 Gauge Type 304 Stainless Steel

1/4" diameter 304 stainless pin with nylon split bearings



Finishes	611	711
BHMA	600	630
US Numbers	USP	US32D

Custom Paint Available, on 611 consult factory



705 Full Moritse, Full Wrap Pin and Barrel Continuous Hinge

For Doors Weighing up to 600 pounds

- Non Handed
- Flush Mounted, No Inset
- 48" Maximum Door Width
- Full Wrap Edge Guard
- Bevel or Square Edge Door

Standard lengths 83", 85", 95", 120"

Standard Mounting Hardware

#10 X 1/2" Self Drilling Self Tapping Screws, #10 X 1" Wood Screws

Adjusta-stud 1-3/8" with 10-32 internal thread

Optional SEC - Security Fasteners Available.

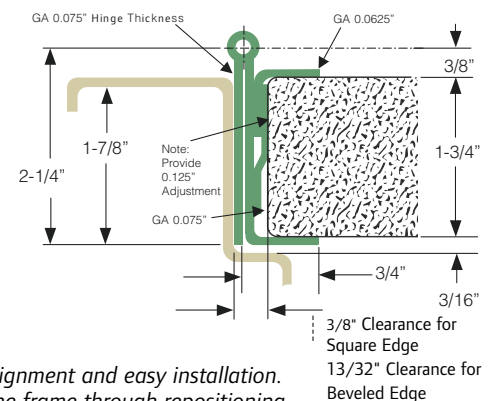
Material

14 Gauge Type 304 Stainless Steel

1/4" diameter 304 stainless pin with nylon split bearings

Finishes

BHMA	630
US Numbers	US32D



* **Adjusta-Stud** allows up to 3/8" width adjustment which ensures proper alignment and easy installation. Adjusta-Stud also makes it possible for future adjustments of the door on the frame through repositioning.



715 Full Mortise, Half Wrap Pin and Barrel Continuous Hinge

For Doors Weighing up to 600 pounds

- Non Handed
- Flush Mounted, No Inset
- Half Wrap Edge Guard
- 48" Maximum Door Width
- Square Edge Door

Standard lengths 83", 85", 95", 120"

Standard Mounting Hardware

#10 X 1/2" Self Drilling Tek Screws,
#10 X 1" Wood Screws

Optional SEC - Security Fasteners Available

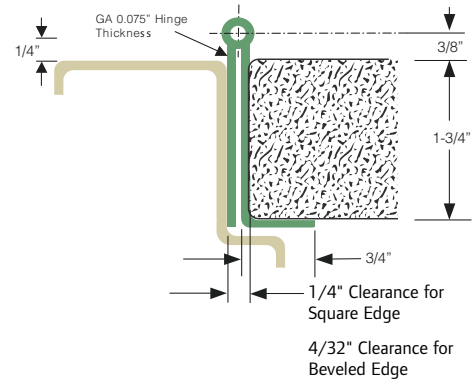
Material

14 Gauge Type 304 Stainless Steel
1/4" diameter 304 stainless pin with
nylon split bearings

Finishes

BHMA	630
US Numbers	US32D

*Custom Paint Available,
consult factory*



Hinges & Pivots
A29

Pulls & Plates
B

Flush Bolts & Coordinators
C

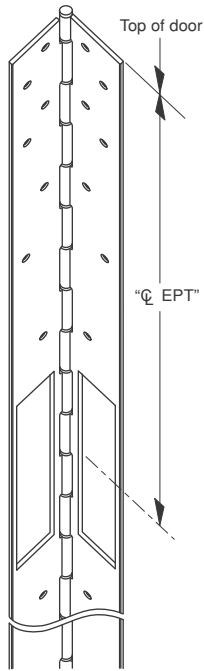
Latches, Catches & Bolts
D

Stops
E

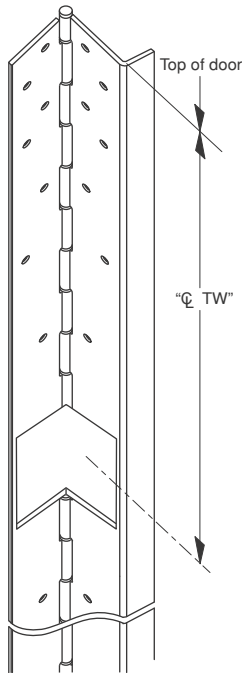
Exterior Hardware
F

Miscellaneous Hardware
G

EPT
600/700



TW
600/700



Electrical Cutouts

Ives Pin & Barrel Continuous Hinges are available with factory modified cutouts to accommodate most electrical frame to door requirements. Special templates are required.

When ordering indicate the following:

1. Opening size.
2. Handing. LH, RH, RHR or LHR.
3. Manufacturer and model number of the electrical product being used.

Example; Von Duprin EPT2

Because clearances may vary between door and frame manufacturer, and locations can be influenced by the door hardware it is always recommend contacting Ives Customer Technical for specific template information.

For your general information following are standard locations for Von Duprin EPT2 or EPT10, and TW (through wire)

Standard centerline cutout locations

From Top Edge o top of Door to Center Line of Cut-Out

Standard Length	EPT	TW
83"	30"	43-19/32"
85"	32"	45-17/32"
95"	42"	55-17/32"
120"	67"	80-17/32"

The door rests on the bottom pivot in this application. This reduces the stress on the frame by distributing the weight of the door throughout the floor and structure. By taking advantage of the strength of the structure, this makes a pivot the ideal solution for your heavy doors. Center and pocket pivots also provide an aesthetic option for your opening.

Pivots Table Of Contents

	page
General Information	A32
Selection Chart and Parts Reference	A32
How To Order	A33
7212 3/4" Offset	A34
7212V 3/4" Offset	A34
7215, 7215F 3/4" Offset	A35
7222 3/4" Offset	A36
7226, 7226F 3/4" Offset	A37
7227, 7227F 3/4" Offset	A38
7230F 3/4" Offset	A39
7237F 3/4" Offset	A40
7244F 1-1/2" Offset	A41
7245F 1-1/2" Offset	A42
7212-722V-7222 INT ... Intermediate	A43
7215-7226-7227 INT ... Intermediate	A43
7215F-7226F-7227F INT .Intermediate	A43
7230F-7237F INT Intermediate	A44
7244F-7245F INT Intermediate	A44
7215PT-7226PT-7227PT .Intermediate, Electrified	A45
7253 Center Hung	A46
7255 Center Hung	A47
7255J Center Hung	A47
7256 Center Hung	A48
7259 Center Hung	A49

Pocket Pivots

91105	A50
91105F	A50



7200 Series Pivots

General Information:

Complete line of 3/4" offset, 1-1/2" offset, center hung, intermediate and power transfer pivots with all exposed parts made of brass or stainless steel for maximum corrosion resistance.

High strength brass and stainless steel forgings, and castings for rated and non-rated doors combined with precision bearings for smooth operation.

Stainless steel machine screws and wood screws standard. Positive locking vertical adjustment mechanism allows the installer to precisely position the door and balance the load.

Last digit in pivot set number reflects the maximum door weight in hundreds of pound, e.g., 7215 = 500 pounds. For sets designated as "heavy duty", add 1,000 pounds, e.g., 7237F HD set = 1700 pounds. Pivots for lead lined doors are available, consult factory.

7200 series Pivot Selection Chart

Pivot Set	Pivot Type	Bottom Mounting Style	UL Listing	Max. Door Weight	Handing	When Ordering Separate Parts		
						Top	Bottom	Intermediate
7212	3/4" Offset	Jamb Mounted	none	200	LH or RH	7212-7215-7222-7226-7227 TOP	7212 BTM	7212-7212V-7222 INT
7212V	3/4" Offset	Jamb Mounted	none	200	LH or RH	7212V TOP	7212 BTM	7212-7212V-7222 INT
7215	3/4" Offset	Jamb Mounted	20 Minute	500	LH or RH	7212-7215-7222-7226-7227 TOP	7215 BTM	7215-7226-7227 INT
7215F	3/4" Offset	Jamb Mounted	3 Hour	500	LH or RH	7215F-7226F-7227F TOP	7215F BTM	7215F-7226F-7227F INT
7222	3/4" Offset	Floor Mounted	none	200	LH or RH	7212-7215-7222-7226-7227 TOP	7222 BTM	7212-7212V-7222 INT
7226	3/4" Offset	Floor Mounted	20 Minute	600	Non-Handed	7212-7215-7222-7226-7227 TOP	7226 BTM	7215-7226-7227 INT
7226F	3/4" Offset	Floor Mounted	3 Hour	600	Non-Handed	7215F-7226F-7227F TOP	7226F BTM	7215F-7226F-7227F INT
7227	3/4" Offset	Mortise Cement Case	20 Minute	700	Non-Handed	7212-7215-7222-7226-7227 TOP	7227 BTM	7215-7226-7227 INT
7227F	3/4" Offset	Mortise Cement Case	3 Hour	700	Non-Handed	7215F-7226F-7227F TOP	7227F BTM	7215-7226-7227 INT
7230F	3/4" Offset	Floor Mounted	3 Hour	1,000	Non-Handed	7230F-7237F TOP	7230F BTM	7215F-7226F-7227F INT
7237F	3/4" Offset	Mortise Cement Case	3 Hour	1,750	Non-Handed	7230F-7237F TOP	7237F BTM	7230F-7237F INT
7244F	1-1/2" Offset	Floor Mounted	3 Hour	400	Non-Handed	7244F-7245F TOP	7244F BTM	7230F-7237F INT
7245F	1-1/2" Offset	Mortise Cement Case	3 Hour	500	Non-Handed	7244F-7245F TOP	7245F BTM	7244F-7245F INT
7253	Center Hung	Floor Mounted	none	300	Non-Handed	7253-7255-7255J-7256 TOP	7253 BTM	7244F-7245F INT
7255	Center Hung	Floor Mounted	none	500	Non-Handed	7253-7255-7255J-7256 TOP	7255 BTM	none
7255J	Center Hung	Jamb Mounted	none	500	Non-Handed	7253-7255-7255J-7256 TOP	7255J BTM	none
7256	Center Hung	Mortise Cement Case	none	600	Non-Handed	7253-7255-7255J-7256 TOP	7256 BTM	none
7259	Center Hung	Mortise Cement Case	none	1,000	Non-Handed	7259 TOP	7259 BTM	none

How to Order:

7212 - - LH - US3

Pivot:

- 7212
- 7212V
- 7215
- 7215F
- 7222
- 7226
- 7226F
- 7227
- 7227F
- 7230F
- 7237F
- 7244F
- 7245F
- 7253
- 7255
- 7255J
- 7256
- 7259

Pivot Style:

- Blank** Top and bottom set
- TOP** Top pivot only
- BTM** Bottom pivot only
- INT** Intermediate pivot only
- PT INT** Power transfer intermediate pivot only

Hand:

- LH** Left hand door
- RH** Right hand door

Finish:

- US3
 - US4
 - US10
 - US10B
 - US26
 - US26D
 - SP4
 - SP10
 - SP28
 - SP313
 - SPBLK
 - USP
- optional finishes are available, consult factory*

A33
Hinges & Pivots

B
Pulls & Plates

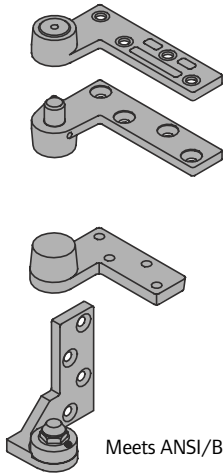
C
Flush Bolts & Coordinators

D
Latches, Catches & Bolts

E
Stops

F
Exterior Hardware

G
Miscellaneous Hardware

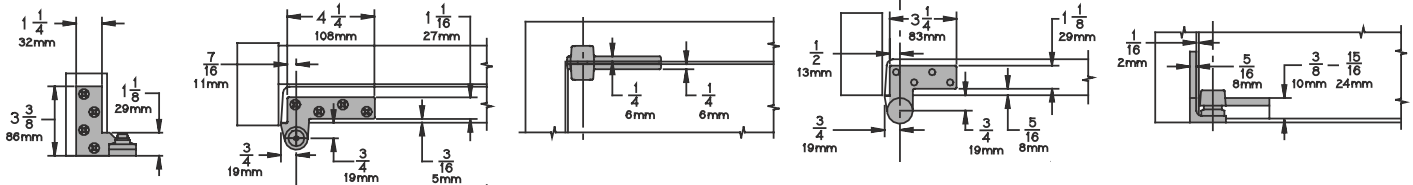


7212 3/4" Offset Pivot

- Handed
- Top, header mount
- Bottom, jamb mount
- Use with 1-3/4" minimum door thickness, with 1/8" bevel in 2"
- Maximum door load 200 pounds
- Vertical adjustment range 3/16", with positive locking

Optional 7212-7212V-7222 Intermediate Pivot (handed) for each additional 100 pounds or doors over 7'. See page A47.

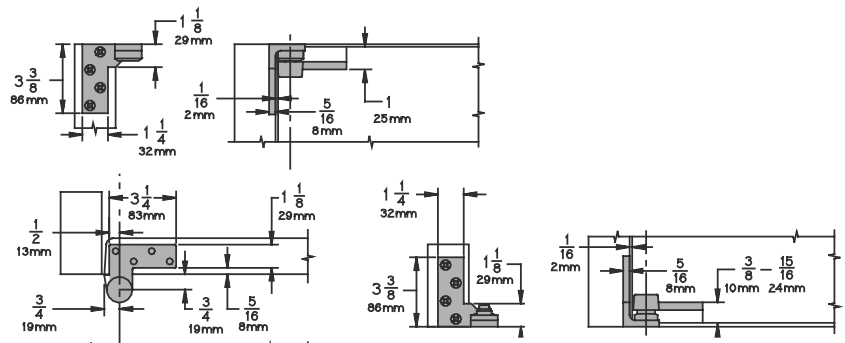
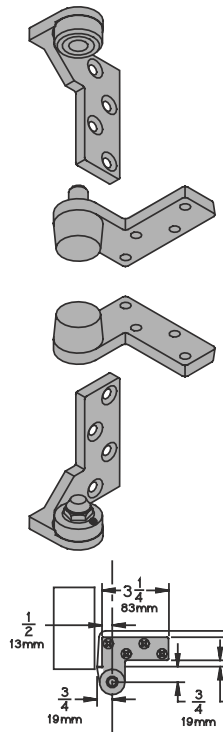
Meets ANSI/BHMA A156.4 C07131



7212V 3/4" Offset Pivot

- Handed
- Top, jamb mount
- Bottom, jamb mount
- Use with 1-3/4" minimum door thickness, with 1/8" bevel in 2"
- Maximum door load 200 pounds
- Vertical adjustment range 3/16", with positive locking

Optional 7212-7212V-7222 Intermediate Pivot (handed) for each additional 100 pounds or doors over 7'. See page A47.



Plated Finishes *brass*

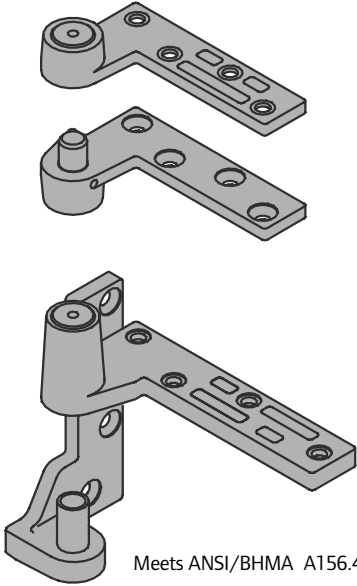
US Number	US3	US4	US10	US10B	US26	US26D
-----------	-----	-----	------	-------	------	-------

BHMA Number	605	606	612	613	625	626
-------------	-----	-----	-----	-----	-----	-----

Painted Finishes *brass*

US Number	SP4	SP10	SP28	SP313	SPBLK
-----------	-----	------	------	-------	-------

BHMA Number	706	691	689	695	622
-------------	-----	-----	-----	-----	-----



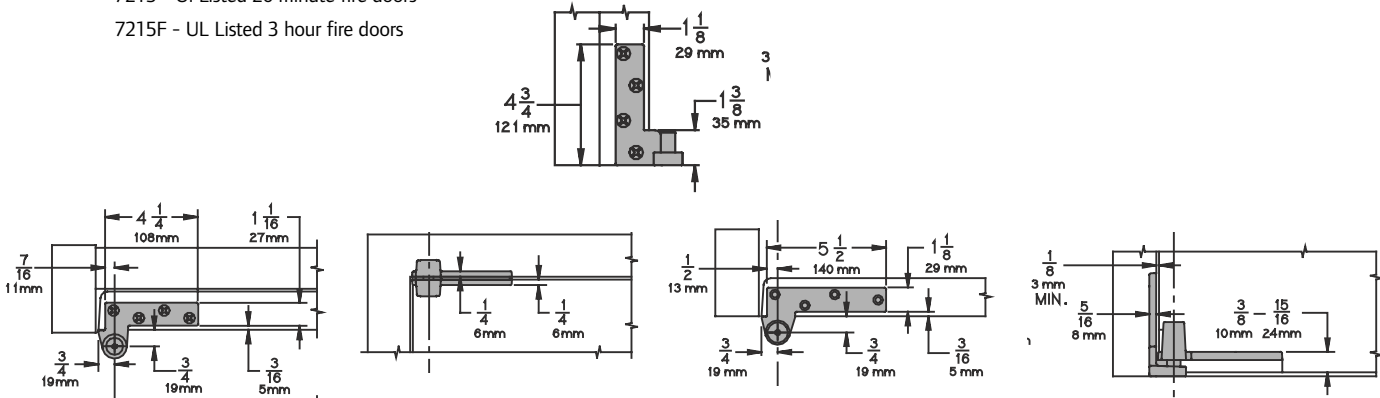
Meets ANSI/BHMA A156.4 C07131

7215
7215F 3/4" Offset Pivot

- Handed
- Top, header mount
- Bottom, jamb mount
- Use with 1-3/4" minimum door thickness, with 1/8" bevel in 2"
- Maximum door load 500 pounds
- Vertical adjustment range 3/16", with positive locking
- WP - optional weather resistant bottom pivot is modified for improved corrosion resistance. Available in US26D (626) or US32D (630) only.

Optional 7215-7226-7227 or 7215F-7226F-7227F Intermediate Pivot (handed) for each additional 100 pounds or doors over 7'. See page A47.
Optional 7215PT Power Transfer, non-load bearing. See page A49

7215 - UL Listed 20 minute fire doors
7215F - UL Listed 3 hour fire doors



7215

Plated Finishes *brass*

US Number	US3	US4	US10	US10B	US26	US26D
BHMA Number	605	606	612	613	625	626

Painted Finishes *brass*

US Number	SP4	SP10	SP28	SP313	SPBLK
BHMA Number	706	691	689	695	622

7215F

Plated Finishes *steel*

US Number	US3	US10	US32	US32D
BHMA Number	632	639	629	630

Painted Finishes *steel*

US Number	SP4	SP10	SP28	SP313	SPBLK
BHMA Number	706	691	689	695	622

A35
Hinges & Pivots

B
Pulls & Plates

C
Flush Bolts & Coordinators

D
Latches, Catches & Bolts

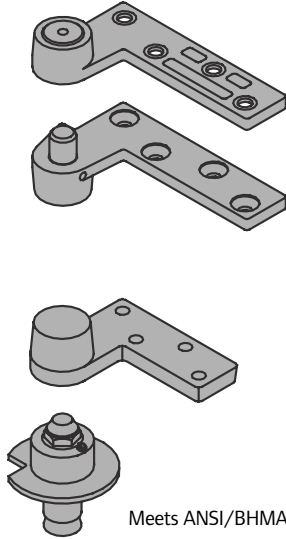
E
Stops

F
Exterior Hardware

G
Miscellaneous Hardware

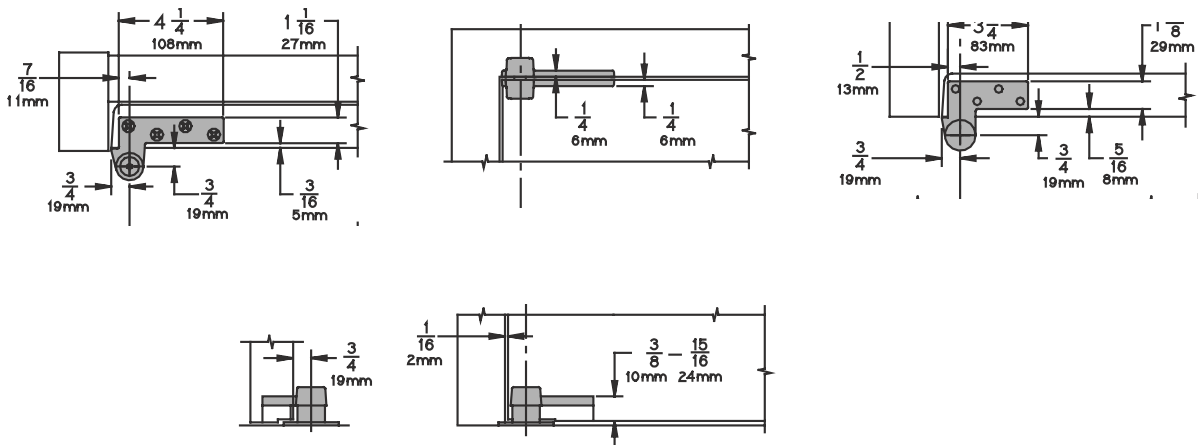
7222 3/4" Offset Pivot

- Handed
- Top, header mount
- Bottom, base plate mount
- Use with 1-3/4" minimum door thickness, with 1/8" bevel in 2"
- Maximum door load 200 pounds
- Vertical adjustment range 3/16", with positive locking



Meets ANSI/BHMA A156.4 C07162

Optional 7212-7212V-7222 Intermediate Pivot (handed) for each additional 100 pounds or doors over 7'. See page A47.

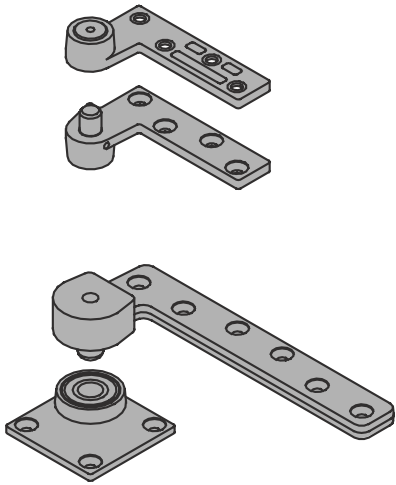


Plated Finishes *brass*

US Number	US3	US4	US10	US10B	US26	US26D
BHMA Number	605	606	612	613	625	626

Painted Finishes *brass*

US Number	SP4	SP10	SP28	SP313	SPBLK
BHMA Number	706	691	689	695	622



Meets ANSI/BHMA A156.4 C07162

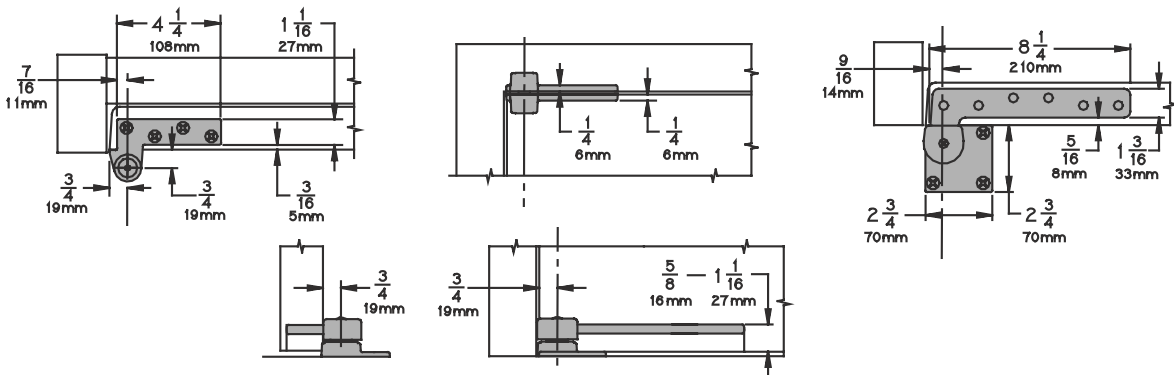
7226 - UL Listed 20 minute fire doors
 7226F - UL Listed 3 hour fire doors

7226
7226F 3/4" Offset Pivot

- Non-handed
- Top, header mount
- Bottom, base plate mount
- Use with 1-3/4" minimum door thickness, with 1/8" bevel in 2"
- Maximum door load 600 pounds
- Vertical adjustment range 3/16", with positive locking

Optional 7215-7226-7227 or 7226F-722 Intermediate Pivot (handed) for each additional 100 pounds or doors over 7'. See page A47.

Optional 7226PT Power Transfer (four wires), non-load bearing. See page A49



7226

Plated Finishes *brass*

US Number	US3	US4	US10	US10B	US26	US26D
BHMA Number	605	606	612	613	625	626

Painted Finishes *brass*

US Number	SP4	SP10	SP28	SP313	SPBLK
BHMA Number	706	691	689	695	622

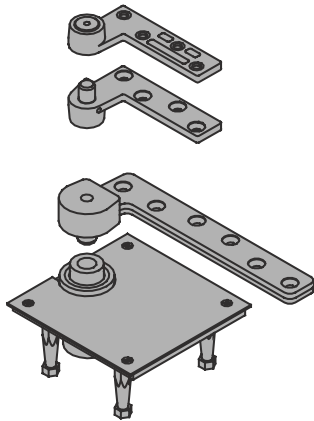
7226F

Plated Finishes *steel*

US Number	US3	US10	US32	US32D
BHMA Number	632	639	629	630

Painted Finishes *steel*

US Number	SP4	SP10	SP28	SP313	SPBLK
BHMA Number	706	691	689	695	622



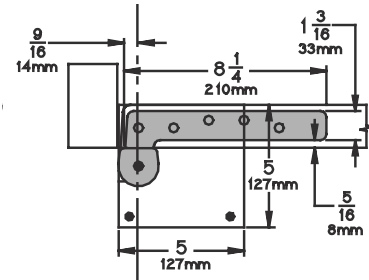
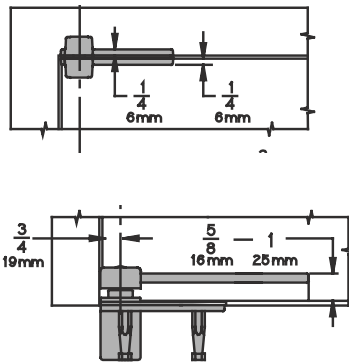
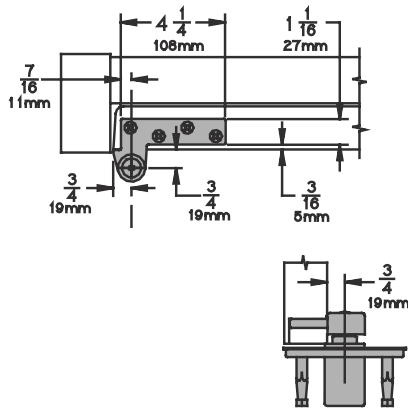
Meets ANSI/BHMA A156.4 C07121

7227 - UL Listed 20 minute fire doors
 7227F - UL Listed 3 hour fire doors

7227 7227F 3/4" Offset Pivot

- Non-handed
- Top, header mount
- Bottom, base plate mount
- Use with 1-3/4" minimum door thickness, with 1/8" bevel in 2"
- Maximum door load 700 pounds
- Vertical adjustment range 3/16", with positive locking

Optional 7215-7226-7227 or 7215F-7226F-7227F Intermediate Pivot (handed) for each additional 100 pounds or doors over 7'. See page A47.
 Optional 7227PT Power Transfer (four wires), non-load bearing. See page A49.



7227

Plated Finishes *brass*

US Number	US3	US4	US10	US10B	US26	US26D
BHMA Number	605	606	612	613	625	626

Painted Finishes *brass*

US Number	SP4	SP10	SP28	SP313	SPBLK
BHMA Number	706	691	689	695	622

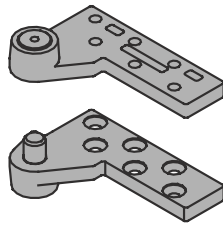
7227F

Plated Finishes *steel*

US Number	US3	US10	US32	US32D
BHMA Number	632	639	629	630

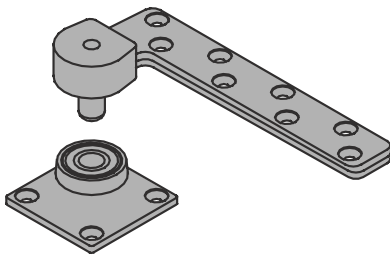
Painted Finishes *steel*

US Number	SP4	SP10	SP28	SP313	SPBLK
BHMA Number	706	691	689	695	622



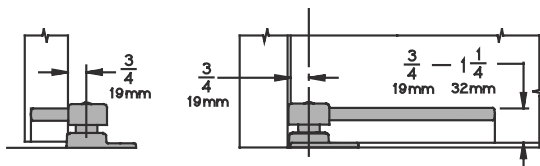
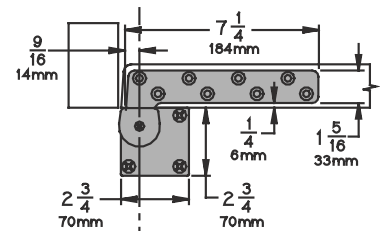
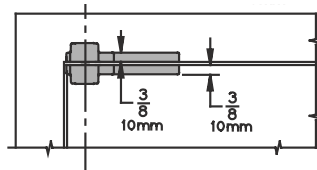
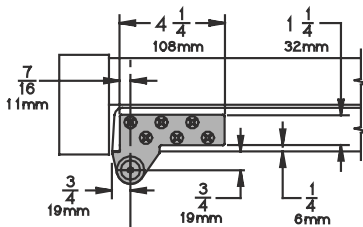
7230F 3/4" Offset Pivot - Heavy Duty

- Non-Handed
- Top, header mount
- Bottom, base plate mount
- Use with 1-3/4" minimum door thickness, with 1/8" bevel in 2"
- Maximum door load 1,000 pounds
- Vertical adjustment range 3/16", with positive locking



Optional 7230F-7237F Intermediate Pivot (handed) for each additional 100 pounds or doors over 7'. See page A48.

Meets ANSI/BHMA A156.4 C07162
UL Listed 3 Hour Fire Doors



Plated Finishes *steel*

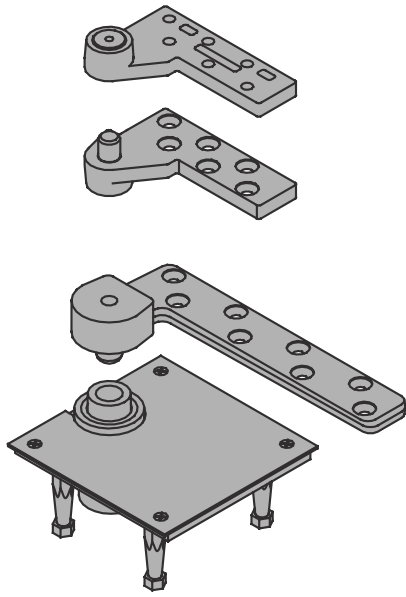
US Number	US3	US10	US32	US32D
-----------	-----	------	------	-------

BHMA Number	632	639	629	630
-------------	-----	-----	-----	-----

Painted Finishes *steel*

US Number	SP4	SP10	SP28	SP313	SPBLK
-----------	-----	------	------	-------	-------

BHMA Number	706	691	689	695	622
-------------	-----	-----	-----	-----	-----

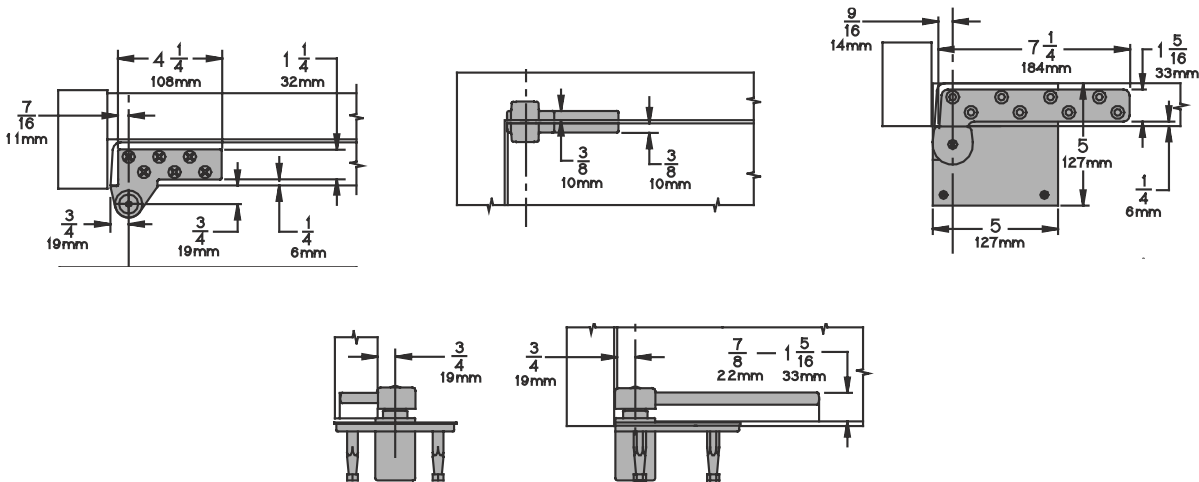


7237F 3/4" Offset Pivot - Heavy Duty

- Non-Handed
- Top, header mount
- Bottom, mortised cement case mount
- Use with 1-3/4" minimum door thickness, with 1/8" bevel in 2"
- Maximum door load 1,750 pounds
- Vertical adjustment range 3/16", with positive locking

Optional 7230F-7237F Intermediate Pivot (handed) for each additional 100 pounds or doors over 7'. See page A48.

Meets ANSI/BHMA A156.4 C07111
 UL Listed 3 Hour Fire Doors



Plated Finishes *steel*

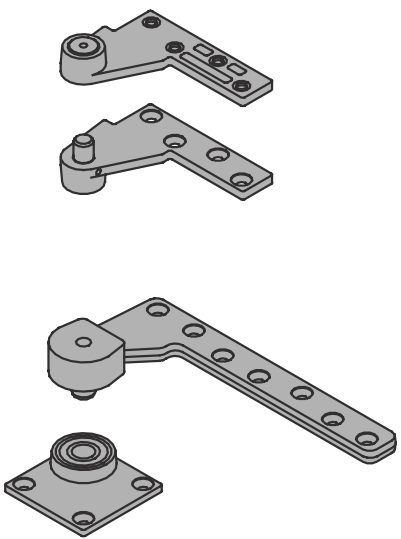
US Number	US3	US10	US32	US32D
-----------	-----	------	------	-------

BHMA Number	632	639	629	630
-------------	-----	-----	-----	-----

Painted Finishes *steel*

US Number	SP4	SP10	SP28	SP313	SPBLK
-----------	-----	------	------	-------	-------

BHMA Number	706	691	689	695	622
-------------	-----	-----	-----	-----	-----

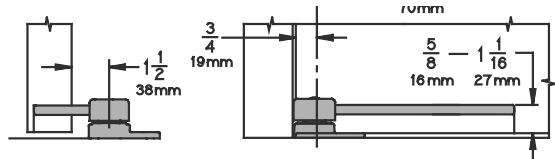
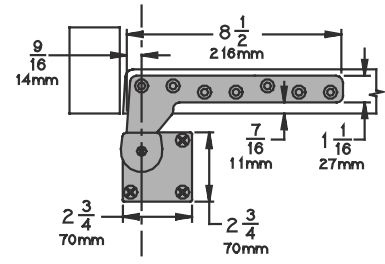
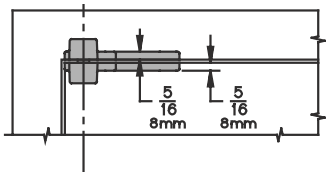
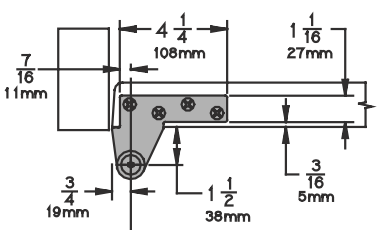


7244F 1-1/2" Offset Pivot - Heavy Duty

- Non-Handed
- Top, header mount
- Bottom, base mount
- Use with 1-3/4" minimum door thickness
- Maximum door load 400 pounds
- Vertical adjustment range 3/16", with positive locking

Optional 7244F-7245F Intermediate Pivot (handed) for each additional 100 pounds or doors over 7'. See page A48.

Meets ANSI/BHMA A156.4 C07162
UL Listed 3 Hour Fire Doors

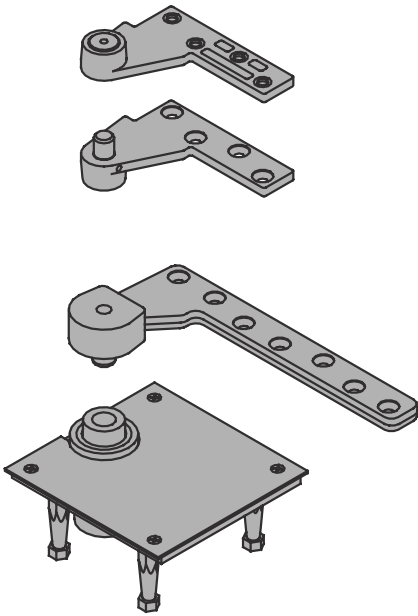


Plated Finishes *steel*

US Number	US3	US10	US32	US32D
BHMA Number	632	639	629	630

Painted Finishes *steel*

US Number	SP4	SP10	SP28	SP313	SPBLK
BHMA Number	706	691	689	695	622

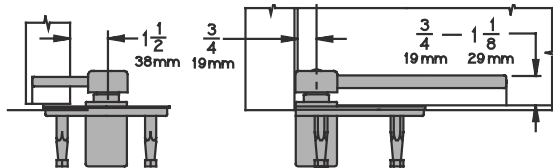
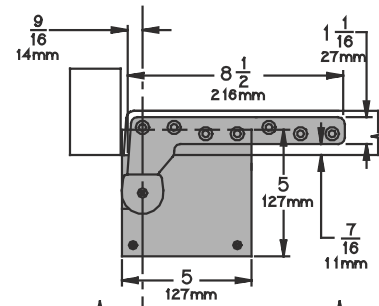
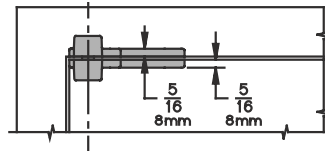
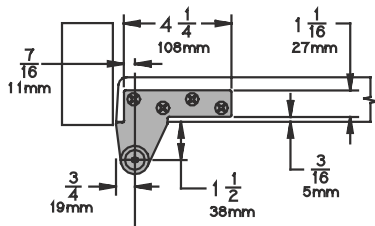


7245F 1-1/2" Offset Pivot - Heavy Duty

- Non-Handed
- Top, header mount
- Bottom, mortised cement case mount
- Use with 1-3/4" minimum door thickness, with 1/8" bevel in 2"
- Maximum door load 500 pounds
- Vertical adjustment range 3/16", with positive locking

Optional 7244F-7245F Intermediate Pivot (handed) for each additional 100 pounds or doors over 7'. See page A48.

Meets ANSI/BHMA A156.4 C07121
 UL Listed 3 Hour Fire Doors



Plated Finishes *steel*

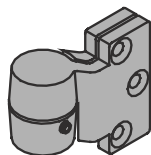
US Number	US3	US4	US10	US10B	US26	US26D
-----------	-----	-----	------	-------	------	-------

BHMA Number	632	639	612	613	625	626
-------------	-----	-----	-----	-----	-----	-----

Painted Finishes *steel*

US Number	SP4	SP10	SP28	SP313	SPBLK
BHMA Number	706	691	689	695	622

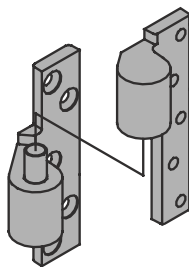
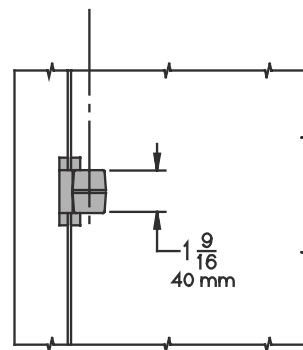
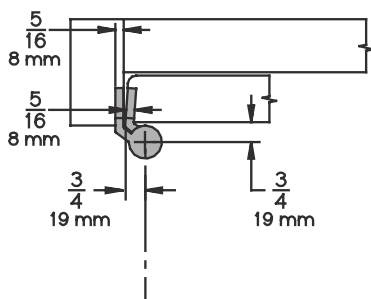
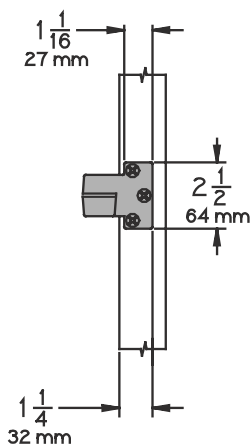
NFPA 80, Section 3-3.8 requires intermediate pivot on some fire door applications, consult factory. Use for door heights over 7'0" and one every 2'6" or . Use for door weight over the pivot set limit. One additional for every additional 100 pounds. Door thickness 1-3/4" minimum with 1/8" bevel in 2".



Meets ANSI/BHMA A156.4 C07382

7212-7212V-7222 INT

- Use with 7212, 7212V or 7222 3/4 Offset Pivot
- Handed
- Vertical adjustment 3/16", include positive locking.



7215-7226-7227 INT:
UL listed 20 minute fire doors
Meets ANSI/BHMA A156.4 C07321

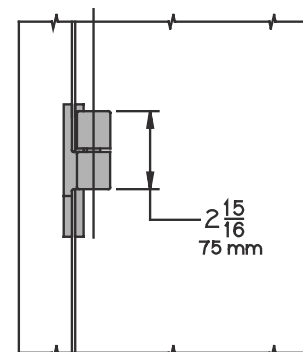
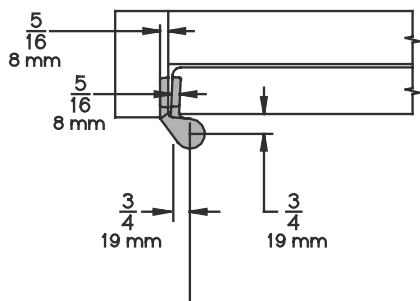
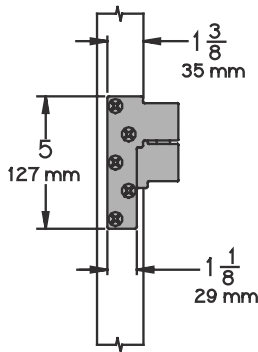
7215-7226-7227 INT

- Use with 7215, 7226 or 7227 3/4 Offset Pivot
- Handed
- Vertical adjustment 3/16", include positive locking.

7215F-7226F-7227F INT:
UL listed 3 hour fire doors
Meets ANSI/BHMA A156.4 C07371

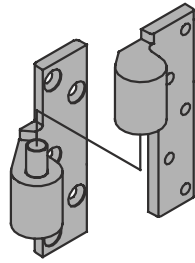
7215F-7226F-7227F INT

- Use with 7215F, 7226F or 7227F 3/4 Offset Pivot
- Handed
- Vertical adjustment 3/16", include positive locking.



A44

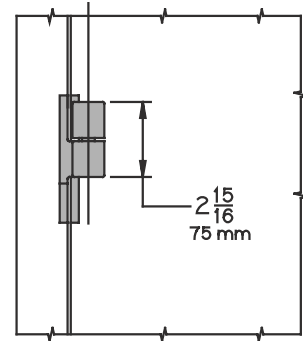
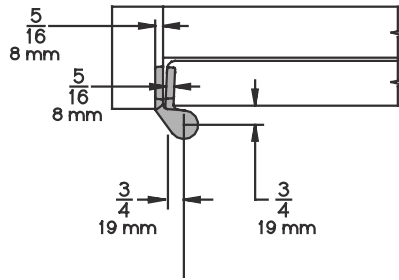
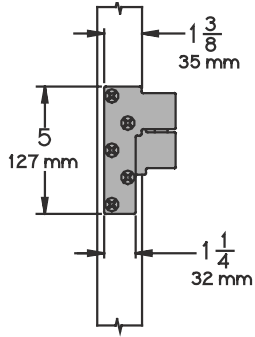
Hinges & Pivots



7230F-7237F INT

- Use with 7230F or 7237F 3/4 Offset Pivot
- Handed
- Vertical adjustment 3/16", include positive locking.

UL listed 3 hour fire doors
Meets ANSI/BHMA A156.4 C07311



B

Pulls & Plates

C

Flush Bolts & Coordinators

D

Latches, Catches & Bolts

E

Stops

F

Exterior Hardware

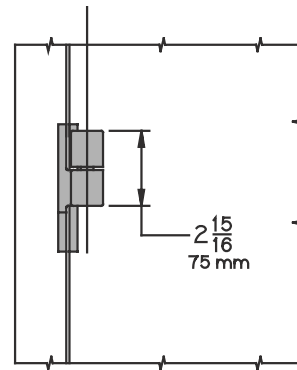
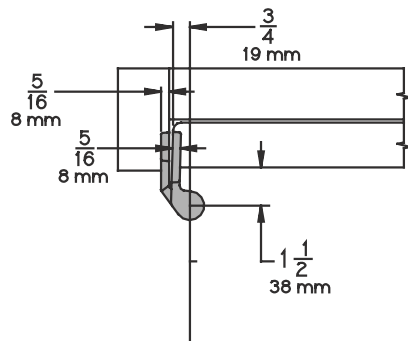
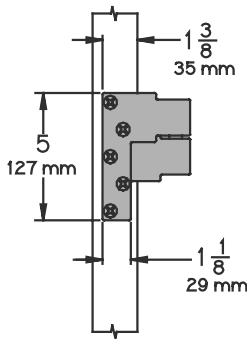
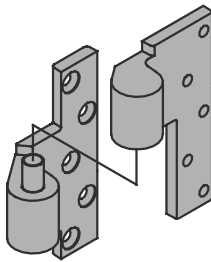
G

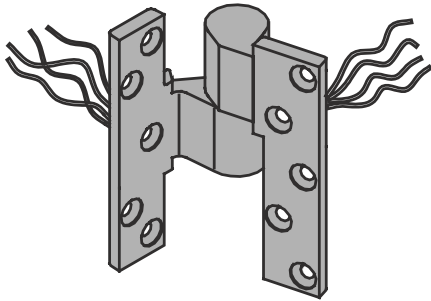
Miscellaneous Hardware

7244F-7245F

- Use with 7244F or 7245F 1-1/2" Offset Pivot
- Handed
- Vertical adjustment 3/16", include positive locking.

UL listed 3 hour fire doors
Meets ANSI/BHMA A156.4 C07371





7215PT-7226PT-7227PT Power Transfer Pivot

- Use with 7215, 7226 or 7227 3/4" Offset Pivots
- Four wires, 28 gauge
- Optional 8 wire available
- Rated 50 VDC or VAC @ 3.5 amps. Continuous or 16 amps pulse, maximum pulse 400 milliseconds.
- Non-load bearing
- Use with 1-3/4" thick door minimum, 1/8" bevel in 2".

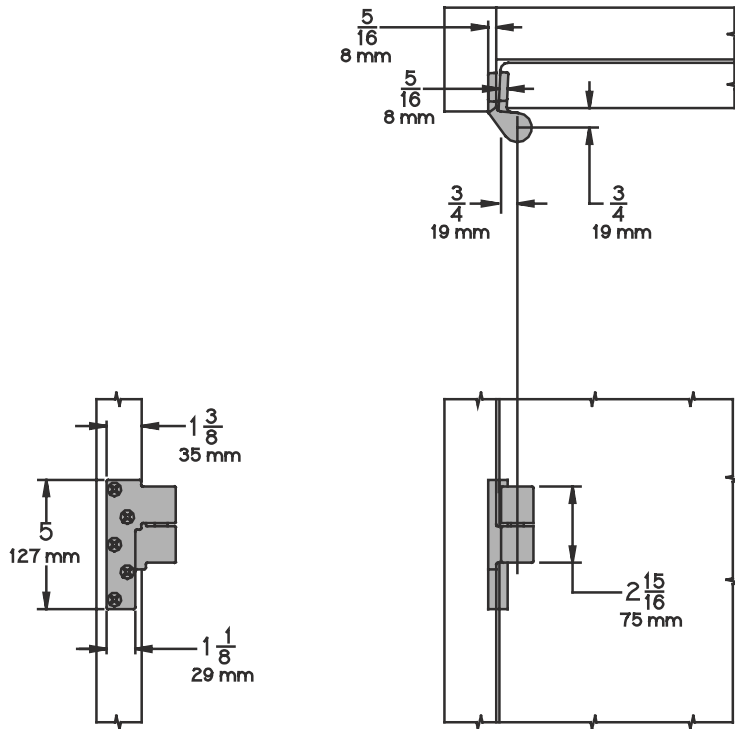


Plate Finishes *brass*

US Number	US3	US4	US10	US10B	US26	US26D
BHMA Number	605	606	612	613	625	626

Painted Finishes *brass*

US Number	SP4	SP10	SP28	SP313	SPBLK
BHMA Number	706	691	689	695	622

A45
Hinges & Pivots

B
Pulls & Plates

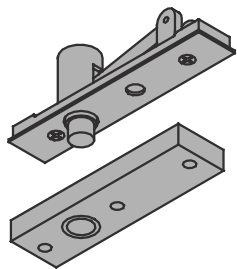
C
Flush Bolts & Coordinators

D
Latches, Catches & Bolts

E
Stops

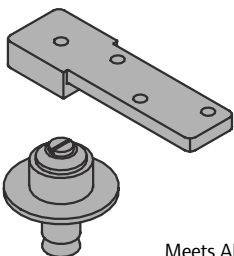
F
Exterior Hardware

G
Miscellaneous Hardware



7253 Center Hung Pivot

- Non-Handed
- Top, header mount
- Bottom, base plate mount
- Easy installation tilt on bearing and bearing pin.
- Use with 1-3/4" minimum door thickness.
- Adjustable floor to door clearance 3/16" to 3/4".
- Maximum door load 300 pounds
- Vertical adjustment range 3/16", with positive locking



Meets ANSI/BHMA A156.4 C07032

Plated Finishes *brass*

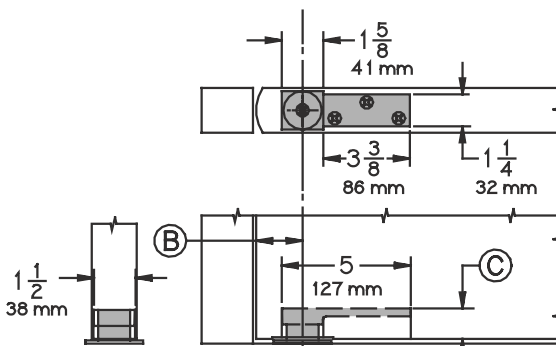
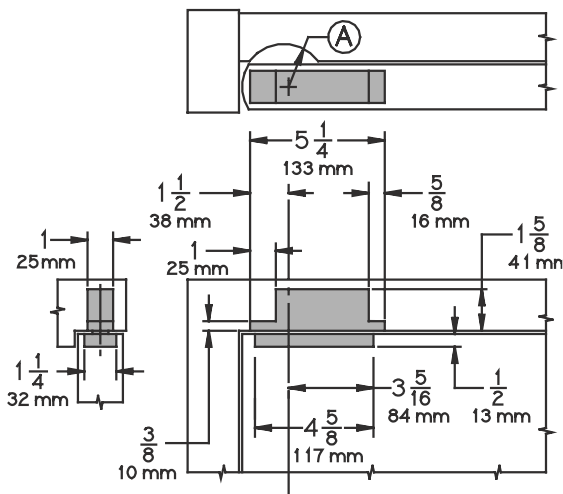
US Number	US3	US4	US10	US10B	US26	US26D
-----------	-----	-----	------	-------	------	-------

BHMA Number	605	606	612	613	625	626
-------------	-----	-----	-----	-----	-----	-----

Painted Finishes *brass*

US Number	SP4	SP10	SP28	SP313	SPBLK
-----------	-----	------	------	-------	-------

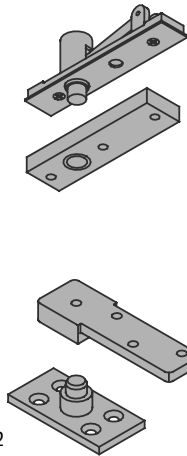
BHMA Number	706	691	689	695	622
-------------	-----	-----	-----	-----	-----



- Radius Stop (A) to clear heel of door edge.
- Pivot distance (B) 1-3/4" (44mm) minimum from jamb to centerline of pivot pin. Radius heel edge of door, 1-5/8" (41mm) minimum recommended.
- Clearance from bottom edge of door to floor mounting surface is adjustable from 3/16" (5mm) to 3/4" (19mm) by varying the depth of the mortise (C) in the bottom of the door, refer to Chart D. Consult factory when clearance is over 3/4" (19mm).

Table D

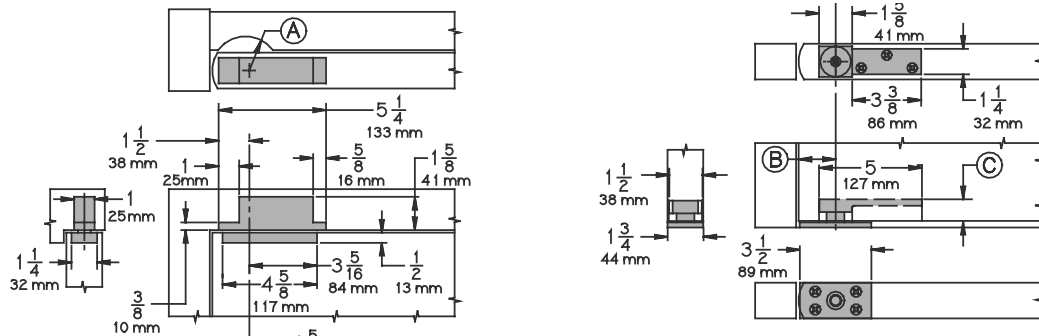
Clearance	Depth of Mortise
3/16" (5mm)	1-3/16" (30mm)
3/8" (10mm)	1" (25mm)
1/2" (13mm)	7/8" (22mm)
5/8" (16mm)	3/4" (19mm)
3/4" (19mm)	5/8" (16mm)



7255 Center Hung Pivot

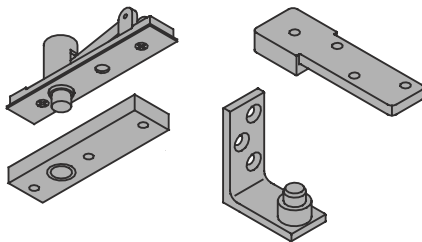
- Non-Handed
- Top, header mount
- Bottom, base plate mount
- Easy installation tilt on bearing and bearing pin.
- Use with 1-3/4" minimum door thickness.
- Adjustable floor to door clearance 3/16" to 3/4", consultant factory if greater than 3/4" ..
- Maximum door load 500 pounds
- Vertical adjustment range 3/16", with positive locking

Meets ANSI/BHMA A156.4 C07032



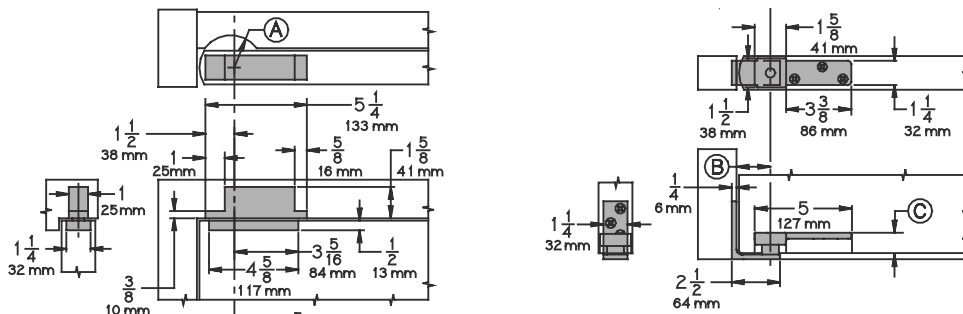
- Radius Stop (A) to clear heel of door edge.
- Pivot distance (B) 1-3/4" (44mm) minimum from jamb to centerline of pivot pin. Radius heel edge of door, 1-5/8" (41mm) minimum recommended.
- Clearance from bottom edge of door to floor mounting surface is adjustable from 3/16" (5mm) to 3/4" (19mm) by varying the depth of the mortise (C) in the bottom of the door, refer to Chart D. Consult factory when clearance is over 3/4" (19mm).

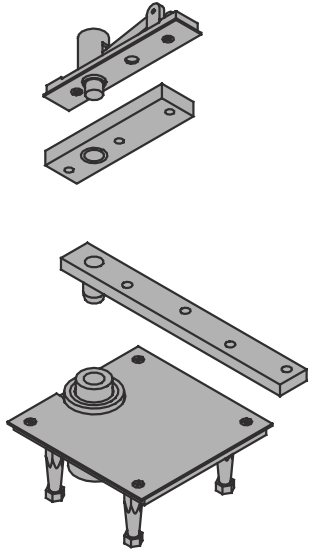
7255J Center Hung Pivot



Meets ANSI/BHMA A156.4 C07042

- Non-Handed
- Top, header mount
- Bottom, jamb mount
- Easy installation tilt on bearing and bearing pin.
- Use with 1-3/4" minimum door thickness.
- Adjustable floor to door clearance 3/16" to 3/4", consult factory if greater than 3/4".
- Maximum door load 500 pounds
- Vertical adjustment range 3/16", with positive locking

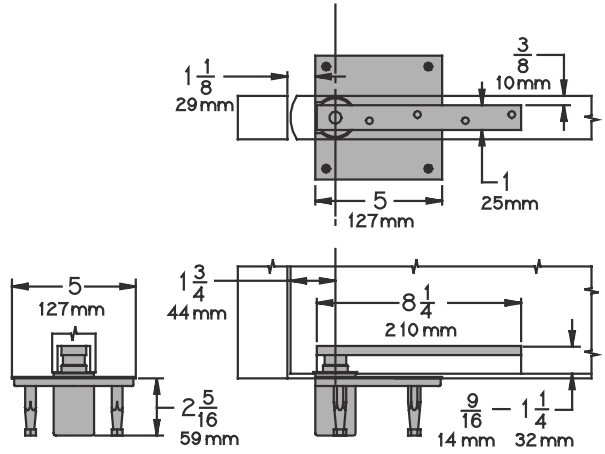
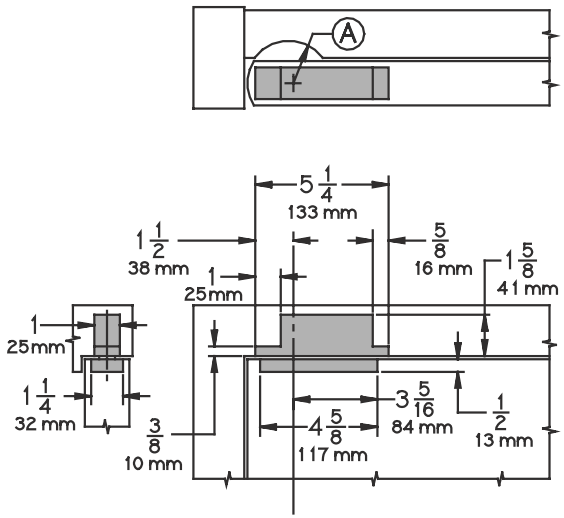




7256 Center Hung Pivot

- Non-Handed
- Top, header mount
- Bottom, base frame mount
- Easy installation tilt on bearing and bearing pin.
- Use with 1-3/4" minimum door thickness.
- Adjustable floor to door clearance 3/16" to 3/4", consult factory if greater than 3/4".
- Maximum door load 600 pounds
- Vertical adjustment range 3/16", with positive locking

Meets ANSI/BHMA A156.4 C07021



- Radius Stop (A) to clear heel of door edge.
- Pivot distance (B) 1-3/4" (44mm) minimum from jamb to centerline of pivot pin. Radius heel edge of door, 1-5/8" (41mm) minimum recommended.
- Clearance from bottom edge of door to floor mounting surface is adjustable from 3/16" (5mm) to 3/4" (19mm) by varying the depth of the mortise (C) in the bottom of the door, refer to Chart D. Consult factory when clearance is over 3/4" (19mm).

Table D

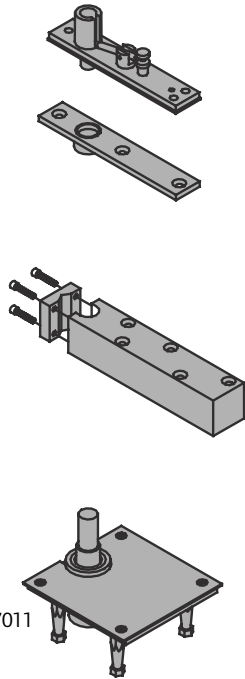
Clearance	Depth of Mortise
3/16" (5mm)	1-3/16" (30mm)
3/8" (10mm)	1" (25mm)
1/2" (13mm)	7/8" (22mm)
5/8" (16mm)	3/4" (19mm)
3/4" (19mm)	5/8" (16mm)

Plated Finishes *brass*

US Number	US3	US4	US10	US10B	US26	US26D
BHMA Number	605	606	612	613	625	626

Painted Finishes *brass*

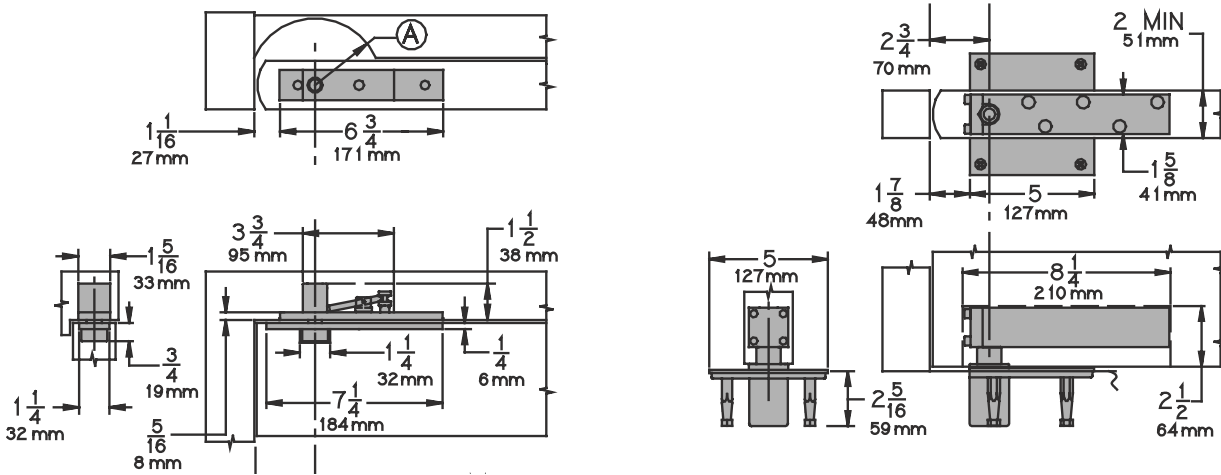
US Number	SP4	SP10	SP28	SP313	SPBLK
BHMA Number	706	691	689	695	622



7259 Center Hung Pivot

- Non-Handed
- Top, header mount
- Bottom, base frame mount
- Easy installation tilt on bearing and bearing pin.
- Use with 2" minimum door thickness.
- Adjustable floor to door clearance 3/16" to 3/4", consult factory if greater than 3/4".
- Maximum door load 1,000 pounds
- Vertical adjustment range 3/16", with positive locking

Meets ANSI/BHMA A156.4 C07011



- Radius Stop (A) to clear heel of door edge.
- Pivot distance (B) 1-3/4" (44mm) minimum from jamb to centerline of pivot pin. Radius heel edge of door, 1-5/8" (41mm) minimum recommended.
- Clearance from bottom edge of door to floor mounting surface is adjustable from 3/16" (5mm) to 3/4" (19mm) by varying the depth of the mortise (C) in the bottom of the door, refer to Chart D. Consult factory when clearance is over 3/4" (19mm).

Table D

Clearance	Depth of Mortise
3/16" (5mm)	1-3/16" (30mm)
3/8" (10mm)	1" (25mm)
1/2" (13mm)	7/8" (22mm)
5/8" (16mm)	3/4" (19mm)
3/4" (19mm)	5/8" (16mm)

Plated Finishes *brass*

US Number	US3	US4	US10	US10B	US26	US26D
-----------	-----	-----	------	-------	------	-------

BHMA Number	605	606	612	613	625	626
-------------	-----	-----	-----	-----	-----	-----

Painted Finishes *brass*

US Number	SP4	SP10	SP28	SP313	SPBLK
BHMA Number	706	691	689	695	622



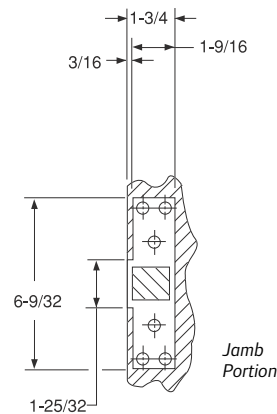
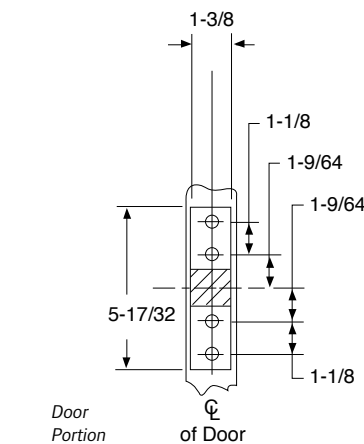
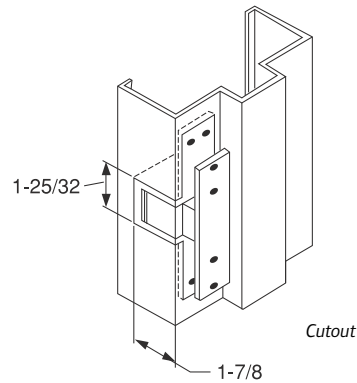
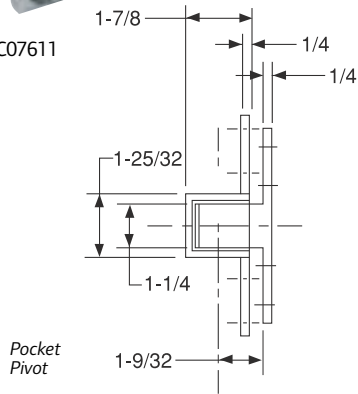
91105F, 91105F-PT Pocket Pivot/Hinge

- Non-handed
- All stainless steel construction.
- Allows door to open a full 90 (* degree mark)
- Full mortise
- 90 pound load bearing
- Use two for doors up to 7'0" and over 7'0" use three.
- PT, Power Transfer version has four 28 gauge wires. Rated 50 VOC or VAC @ 3.5 amps. Continuous or 16 amps pulse. Maximum pulse 400 milliseconds.

UL Listed 3 hour fire doors or 20 minute wood fire doors

Meets ANSI/BHMA A156.4 C07611

91105F Pocket Pivot



Plated Finishes *steel*

US Number	US3	US10	US10B
BHMA Number	632	639	640

Painted Finishes *steel*

US Number	USP	SP313
BHMA Number	600	695

Finishes *stainless steel*

US Number	US32	US32D
BHMA Number	629	630

Table Of Contents

Pulls, Plates and Trim

Pulls	page
8102 Door PullB2
8103 Door PullB2
8103EZ Door PullB3
8105 Door PullB3
8111-5 Door PullB4
8112-5 Door PullB4
8121 Door PullB5
8190 Offset Door PullB5

Push and Pull Plates

8200 Push PlateB6
8300 Pull Plate (less pull)B6
8302 Pull PlateB7
8303 Pull PlateB7
8305 Pull Plate (with 8105)B7
8311 Pull Plate (with 8111-5)B8

Push Bars

9100 PushbarB8
9103EZ Pushber & PullB9
9190 Pushbar & PullB9

Vandal Resistant Trim

VR810-DT, VR814DT Vandal Resistant TrimB10
VR810-NL, VR814-NL Vandal Resistant TrimB10
VR900, VR904 Vandual Resistant TrimB11
VR900LLP, VR904LLP Vandual Resistant TrimB11
VR910-DT, VR914-DT Vandual Resistant TrimB12
VR910-NL, VR914-NL Vandual Resistant TrimB12
VR910M-DT, VR914M-DT Vandual Resistant trimB12
VR910M-NL, VR914M-NL Vandual Resistant TrimB12

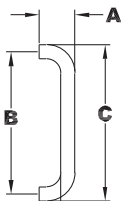
Protection Plates

8400 Protection PlateB13-14
8402 Protection Plate (UL)B13-14

Mounting Detail

Special Mounting DetailB15-17
-------------------------------	---------





8102 Door Pull - 3/4" Round

Available mounting – standard, F, H-I-L, or J see pages B15 and B16

Available Sizes

6", 8", 10"

Product No.	Projection "A"	Clearance	Center to Center "B"	Overall Length "C"
8102-6	2-1/4"	1-1/2"	6"	6-3/4"
8102-8	2-1/4"	1-1/2"	8"	8-3/4"
8102-0	2-1/4"	1-1/2"	10"	10-3/4"

Finishes brass

US Number	US3	US4	US10	US10B	US15	US26	US26D*
BHMA	605	606	612	613	619	625	626

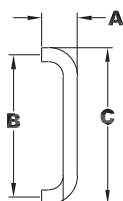
Finishes stainless steel

US Number	US32D*
BHMA	630

Finishes aluminum

US Number	US28
BHMA	628

* Available with Antimicrobial Coating, use suffix AM



8103 Door Pull - 1" Round

Available mounting – standard, F, H-I-L, or J see pages B15 and B16

Available Sizes

8", 10", 12"

Product No.	Projection "A"	Clearance	Center to Center "B"	Overall Length "C"
8103-8	2-1/2"	1-1/2"	8"	9"
8103-0	2-1/2"	1-1/2"	10"	11"
8103-2	2-1/2"	1-1/2"	12"	13"

Finishes brass

US Number	US3	US4	US10	US10B	US15	US26	US26D*
BHMA	605	606	612	613	619	625	626

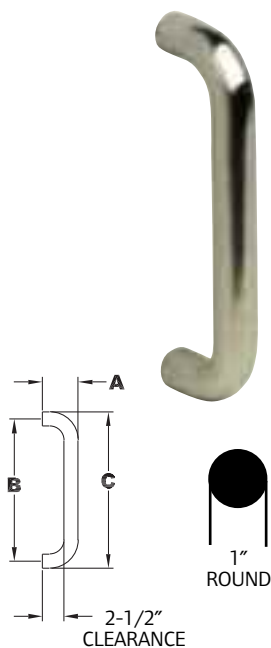
Finishes stainless steel

US Number	US32	US32D*
BHMA	629	630

Finishes aluminum

US Number	US28
BHMA	628

* Available with Antimicrobial Coating, use suffix AM



8103EZ Door Pull - 1" Round
Large 2-1/2" Clearance for the Accessibility Applications

Available mounting – standard, M, O, H-I-L, J see pages B15 and B17

Available Sizes

8", 10", 12"

Product No.	Projection "A"	Clearance	Center to Center "B"	Overall Length "C"
8103EZ	3-1/2"	2-1/2"	8"	9"
8103EZ	3-1/2"	2-1/2"	10"	11"
8103EZ	3-1/2"	2-1/2"	12"	13"

Finishes brass

US Number	US3	US4	US10	US10B	US15	US26	US26D*
BHMA	605	606	612	613	619	625	626

Finishes stainless steel

US Number	US32	US32D*
BHMA	629	630

Finishes aluminum

US Number	US28
BHMA	628

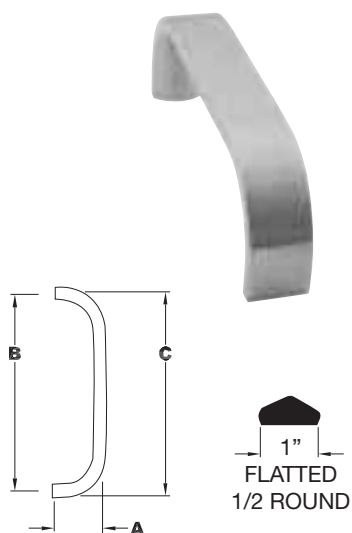
* Available with Antimicrobial Coating, use suffix AM

8105 Door Pull - 1" Flattened

Available mounting – standard or F see page B15

Available Sizes

6", 8", 10"



Product No.	Projection "A"	Center to Center "B"	Overall Length "C"
8105-6	2"	6"	6-1/2"
8105-8	2"	8"	8-1/2"
8105-0	2"	10"	10-1/2"

Finishes brass

US Number	US3	US4	US10	US10B	US15	US26	US26D*
BHMA	605	606	612	613	619	625	626

Finishes stainless steel

US Number	US32D*
BHMA	630

Finishes aluminum

US Number	US28
BHMA	628

* Available with Antimicrobial Coating, use suffix AM

A
Hinges & Pivots

B3
Pulls & Plates

C
Flush Bolts & Coordinators

D
Latches, Catches & Bolts

E
Stops

F
Exterior Hardware

G
Miscellaneous Hardware

A
Hinges & Pivots

B4
Pulls & Plates

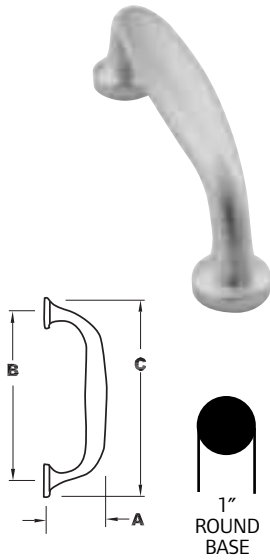
C
Flush Bolts & Coordinators

D
Latches, Catches & Bolts

E
Stops

F
Exterior Hardware

G
Miscellaneous Hardware



8111-5 Door Pull

Available mounting – standard see page B15

Size

5-1/4"

Product No.	Projection "A"	Center to Center "B"	Overall Length "C"
8111-5	1-13/16"	5-1/4"	6-1/4"

Finishes *brass*

US Number	US3	US4	US10	US10B	US15	US26	US26D*
BHMA	605	606	612	613	619	625	626

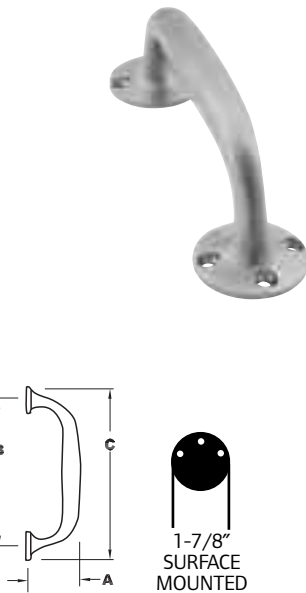
Finishes *stainless steel*

US Number	US32D*
BHMA	630

Finishes *aluminum*

US Number	US28
BHMA	628

* Available with Antimicrobial Coating, use suffix AM



8112-5 Door Pull

Standard sheet metal screws for surface mounting

Size

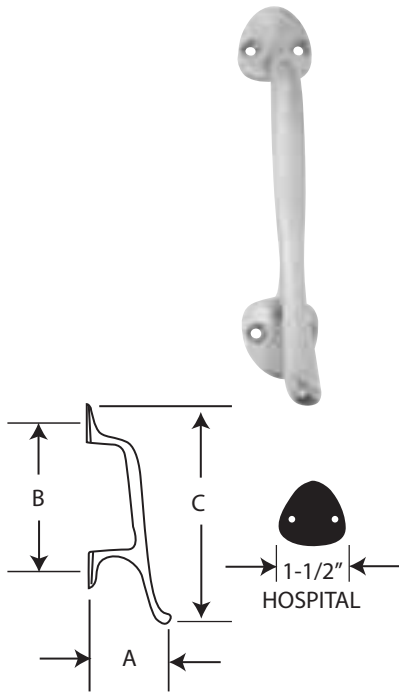
5-1/4"

Product No.	Projection "A"	Center to Center "B"	Overall Length "C"
8112-5	2-13/16"	5-5/8"	7-1/2"

Finishes *brass*

US Number	US26D*
BHMA	626

* Available with Antimicrobial Coating, use suffix AM



8121 Door Pull

Available mounting – K see page B16

Size

5-3/4"

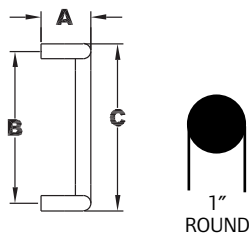
Product No.	Projection "A"	Center to Center "B"	Overall Length "C"
8121-5	3-1/2"	5-3/4"	8-3/4"

Finishes *brass*

US Number US26D*

BHMA 626

* Available with Antimicrobial Coating, use suffix AM



8190 90° Offset Door Pull

Available mounting – standard H-I-L, M, N or O see page B15 and B17

Available Sizes

8", 10", 12", 18"

Product No.	Projection "A"	Clearance	Center to Center "B"	Overall Length "C"
8190-8	3-1/4"	2-1/4"	8"	9"
8190-0	3-1/4"	2-1/4"	10"	11"
8190-2	3-1/4"	2-1/4"	12"	13"
8190-18	3-1/4"	2-1/4"	18"	19"

Finishes *brass*

US Number US3 US4 US10 US10B US15 US26 US26D*

BHMA 605 606 612 613 619 625 626

Finishes *stainless steel*

US Number US32 US32D*

BHMA 629 630

* Available with Antimicrobial Coating, use suffix AM

A
Hinges & Pivots

B5
Pulls & Plates

C
Flush Bolts & Coordinators

D
Latches, Catches & Bolts

E
Stops

F
Exterior Hardware

G
Miscellaneous Hardware



8200 Push Plate
8300 Pull Plate, Prep for Pull (less pull)

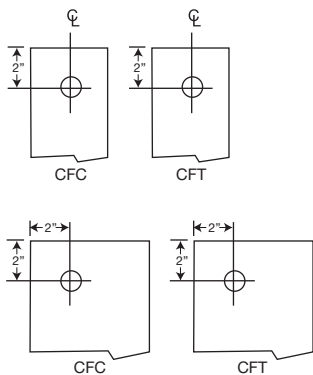
Available Sizes

- 3" x 12"
- 3.5" x 15"
- 4" x 16"
- 6" x 16"
- 8" x 16"

Special sizes are available. Consult factory.

Plates Cut for Cylinder or Thumbturns

Plates are available with cutout for cylinder or thumbturn; standard cutout is 2" from top and centered on plates up to 4" wide. For plates wider than 4" cutout is located 2" from outer edge, specify LH or RH. When pull location interferes with standard cutout location a detail drawing should be furnished with the order.



Standard cutout is 1-1/4" for cylinder and 3/8" for thumbturn.

Specify CFC for cutout for cylinder or CFT for cutout for thumbturn.

Finishes brass

US Number	US3	US4	US10	US10B	US15	US26	US26D*
BHMA	605	606	612	613	619	625	626

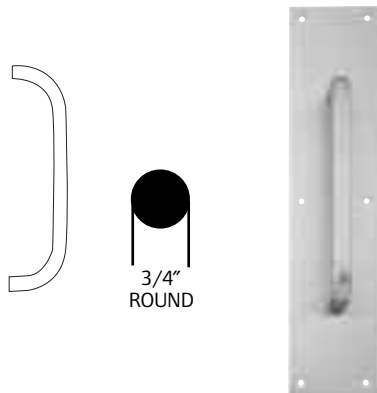
Finishes stainless steel

US Number	US32D*
BHMA	630

Finishes aluminum

US Number	US28
BHMA	628

* Available with Antimicrobial Coating, use suffix AM



8302 Pull plate

Available mounting – Standard, F, G, H-I-L, or J see pages B15 and B16

8300 Plate	8102 Pull
3-1/2" x 15"	6" centers
4" x 16"	8" centers
6" x 16"	10" centers

Finishes brass

US Number	US3	US4	US10	US10B	US26	US26D*
BHMA	605	606	612	613	625	626

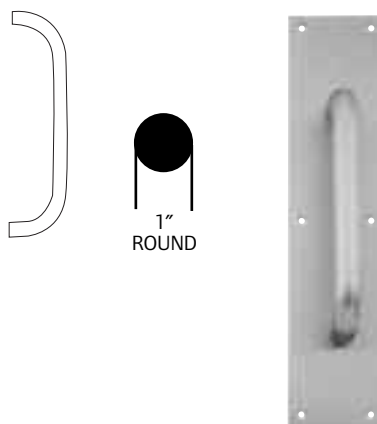
Finishes stainless steel

US Number	US32D*
BHMA	630

Finishes aluminum

US Number	US28
BHMA	628

* Available with Antimicrobial Coating, use suffix AM



8303 Pull plate

Available mounting – Standard, F, G, H-I-L, or J see pages B15 and B16

8300 Plate	8103 Pull
3-1/2" x 15"	8" centers
4" x 16"	10" centers
6" x 16"	7" centers

Finishes brass

US Number	US3	US4	US10	US10B	US26	US26D*
BHMA	605	606	612	613	625	626

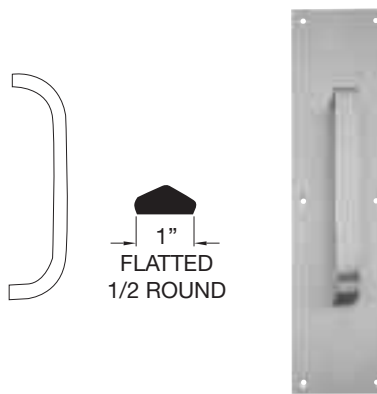
Finishes stainless steel

US Number	US32D*
BHMA	630

Finishes aluminum

US Number	US28
BHMA	628

* Available with Antimicrobial Coating, use suffix AM



8305 Pull plate

Available mounting – Standard or F see page B15

8300 Plate	8105 Pull
3-1/2" x 15"	6" centers
4" x 16"	8" centers
6" x 16"	10" centers

Finishes brass

US Number	US3	US4	US10	US10B	US26	US26D
BHMA	605	606	612	613	625	626

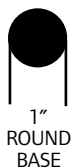
Finishes stainless steel

US Number	US32D
BHMA	630

Finishes aluminum

US Number	US28
BHMA	628

* Available with Antimicrobial Coating, use suffix AM



8311 Pull plate

Available mounting – Standard or F see page B15

8300 Plate
 3-1/2" x 15"
 4" x 16"
 6" x 16"

8111-5 Pull
 5-1/8" centers

Finishes brass

US Number	US3	US4	US10	US10B	US26	US26D*
BHMA	605	606	612	613	625	626

Finishes stainless steel

US Number	US32D*
BHMA	630

Finishes aluminum

US Number	US28
BHMA	628

* Available with Antimicrobial Coating, use suffix AM

9100 Series Door Push Bars and Pulls

- Available in brass, stainless steel or aluminum.
- Standard fasteners furnished for 1-3/4" thick doors. Specify door thick if other than standard.
- Special lengths are available, contact customer service.

See page B17 for special mounting requirements.

Caution – the length of the pushbar should not interfere with the door jamb or cause a pinch point.

9100 Push Bar

Available mounting – NO or NS see page B17



Product No.	Projection	Clearance	Center to Center	Overall Length
9100-28	2-1/2"	1-1/2"	28"	29"
9100-33	2-1/2"	1-1/2"	33"	34"

Special lengths available, consult factory

Finishes brass

US Number	US3	US4	US10	US10B	US15	US26	US26D*
BHMA	605	606	612	613	619	625	626

Finishes stainless steel

US Number	US32	US32D*
BHMA	629	630

* Available with Antimicrobial Coating, use suffix AM

9103EZ Straight Pull/Pushbar Combo (8103EZ Pull + 9100 Push)

Available mounting – NO or NS see page B17

Product No.	CTC Push	CTC Pull	Projection Push & Pull
9103EZ	28", 33"	8"	2-1/2" & 3-1/2"
9103EZ	28", 33"	10"	2-1/2" & 3-1/2"
9103EZ	28", 33"	12"	2-1/2" & 3-1/2"

Special lengths available, consult factory

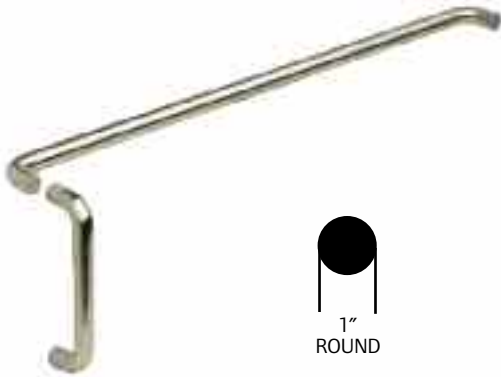
Finishes brass

US Number	US3	US4	US10	US10B	US15	US26	US26D*
BHMA	605	606	612	613	619	625	626

Finishes stainless steel

US Number	US32	US32D*
BHMA	629	630

* Available with Antimicrobial Coating, use suffix AM



9190 Offset Pull/Pushbar Combo (8190 pull + 9100 push)

Available mounting – NO or NS see page B17

Product No.	CTC Push	CTC Pull	Projection Push & Pull
9190	28", 33"	8"	2-1/2" & 3-1/4"
9190	28", 33"	10"	2-1/2" & 3-1/4"
9190	28", 33"	12"	2-1/2" & 3-1/4"
9190	28", 33"	18"	2-1/2" & 3-1/4"

Special lengths available, consult factory

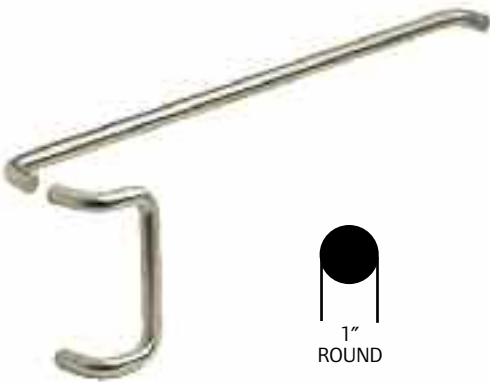
Finishes brass

US Number	US3	US4	US10	US10B	US15	US26	US26D*
BHMA	605	606	612	613	619	625	626

Finishes stainless steel

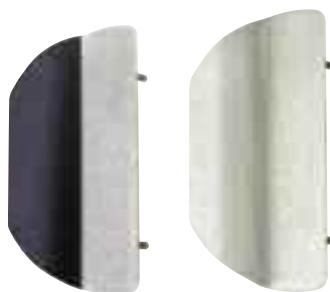
US Number	US32	US32D*
BHMA	629	630

* Available with Antimicrobial Coating, use suffix AM



Vandal Resistant Trim

All stainless steel, 11 gauge (0.120" thick), using stainless steel fasteners for door thickness of 1-3/4" to 2-1/4". Built-in lock protector prevents tampering on certain models. Protective cylinder collar spins to reduce damage from pipe wrench or other tools. Models are available with or without attractive black plastisol edge grip.



VR814

VR810

VR810-DT VR814-DT

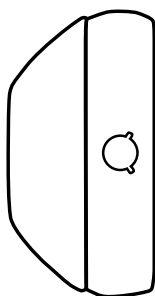
With black grip Without black grip

- For use with Monarch XX, 18 Series or 25 Series rim exit device
- Non-handed
- Thru-bolts direct to the exit device
- Pull operation only

Prod. No.	Width	Height	Thru-Bolt Pattern	Clearance Grip to Door	Projection
VR810DT	5-1/4"	11"	1-3/4" Wide x 7-3/4" High	1-1/2"	1-7/8"

Finishes

US Finish	US32D
BHMA	630



VR810-NL VR810-NL VR814-NL VR814-NL

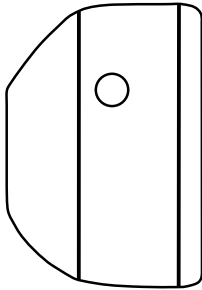
LHR With black grip RHR With black grip LHR Without black grip RHR Without black grip

- For use with Monarch XX-V, 18-V Series or 25-V Series vertical rod exit device
- Thru-bolts direct to the exit device
- Night latch operation (cylinder not furnished)

Prod. No.	Width	Height	Thru-Bolt Pattern	Clearance Grip to Door	Projection
VR810NL	5-1/4"	11"	1-3/4" Wide x 7-3/4" High	1-1/2"	1-7/8"

Finishes

US Finish	US32D
BHMA	630



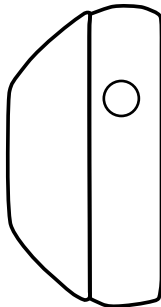
VR900 RHR With black grip
VR900 LHR With black grip
VR904 RHR Without black grip
VR904 LHR Without black grip

- For use with most mortise locks on outswinging doors including Schlage L9000 Series with interior L or N escutcheon, and rose trim.
- Includes built-in lock protector and cylinder cutout.
- Handed design allows trim to be positioned to coordinate with the centerline of inside hardware.

Width	Height	Thru-Bolt Pattern	Clearance Grip to Door	Projection
7-1/4"	11"	2" Wide x 10" High	1-1/2"	1-7/8"

Finishes

US Finish	US32D
BHMA	630



VR900LLP RH With black grip
VR900LLP LH With black grip
VR904LLP RH Without black grip
VR904LLP LH Without black grip

- For use with most mortise locks on outswinging doors including Schlage L9000 Series with interior L or N escutcheon, and rose trim.
- Includes built-in lock protector and cylinder cutout.
- Handed design allows trim to be positioned to coordinate with the centerline of inside hardware.

Width	Height	Thru-Bolt Pattern	Clearance Grip to Door	Projection
5-1/4"	11"	1-3/4" Wide x 10" High	1-1/2"	1-7/8"

Finishes

US Finish	US32D
BHMA	630

A
Hinges & Pivots

B11
Pulls & Plates

C
Flush Bolts & Coordinators

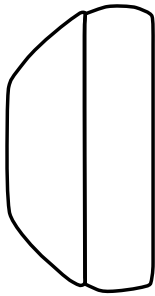
D
Latches, Catches & Bolts

E
Stops

F
Exterior Hardware

G
Miscellaneous Hardware

A	Hinges & Pivots
B12	Pulls & Plates
C	Flush Bolts & Coordinators
D	Latches, Catches & Bolts
E	Stops
F	Exterior Hardware
G	Miscellaneous Hardware



VR910-DT
VR914-DT

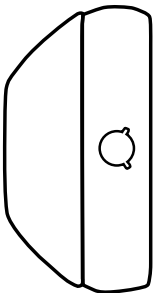
With black grip
Without black grip

- For use with Von Duprin 98/99 Series rim and vertical rod exit device
- Non-handed
- Thru-bolts direct to the exit device
- Pull operation only.

Width	Height	Thru-Bolt Pattern	Clearance Grip to Door	Projection
5-1/4"	11"	1-3/8" Wide x 7" High	1-1/2"	1-7/8"

Finishes

US Finish	US32D
BHMA	630



VR910-NL
VR914-NL

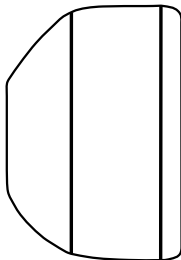
With black grip
Without black grip

- For use with Von Duprin 98/99 rim and vertical rod exit device
- Non-handed
- Thru-bolts direct to the exit device

Width	Height	Thru-Bolt Pattern	Clearance Grip to Door	Projection
5-1/4"	11"	1-3/8" Wide x 7" High	1-1/2"	1-7/8"

Finishes

US Finish	US32D
BHMA	630



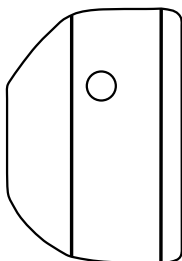
VR910M-DT **With black grip**
VR914M-DT **Without black grip**

- For use with Von Duprin 9875/9975 mortise lock exit device
- Non-handed
- Thru-bolts direct to the exit device

Width	Height	Thru-Bolt Pattern	Clearance Grip to Door	Projection
7-1/4"	11"	1-3/8" Wide x 7" High	1-1/2"	1-7/8"

Finishes

US Finish	US32D
BHMA	630



VR910M-NL RHR **With black grip**
VR910M-NL LHR **With black grip**
VR914M-NL RHR **Without black grip**
VR914M-NL LHR **Without black grip**

- For use with Von Duprin 9875/9975 Series mortise lock exit device
- Thru-bolts direct to the exit device
- Night latch operation (cylinder not furnished)

Width	Height	Thru-Bolt Pattern	Clearance Grip to Door	Projection
7-1/4"	11"	1-3/8" Wide x 7" High	1-1/2"	1-7/8"

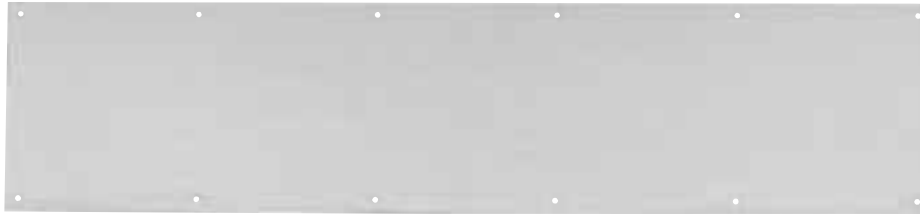
Finishes

US Finish	US32D
BHMA	630

8400 Series Protection Plates

- Door protection plates are available in .050" thick brass, stainless steel or aluminum; and 1/8" thick high impact polyethylene in clear or black.
- Bevel edge options; specify B4E for all four edges.
- Mounting screw pack furnished standard, 16 screws per pack. Optional screw packs are available for TEK or TORX screw heads. Refer to the following chart for ordering.
- Specify NMH for no mounting holes.
- Specify NMH-A for no mounting holes with adhesive.
- Specify CS for counter sunk mounting holes.
- Specify ERS prepped with extra row of screws.

Kickplate Gasket Tape Tape is recommended when using a brass plate on a metal door to reduce tarnishing from electrolytic oxidation. One tape pack will cover an the perimeters of a 8" x 34" kickplate. Order 8401 Gasket Tape.



8400 Protection Plate 8402 (UL)* Protection Plate

*UL mark appears in upper right corner.

Number of screw packs required by plate size (specify TEK Screws or TORX screws).

	22"-25"	26"-33"	34"-41"	42"-48"
4"-8"	1	1	1	1
9"-16"	1	1	1	1
17"-24"	1	1	1	2
25"-32"	1	1	2	2
33"-40"	1	2	2	2
41"-48"	2	2	2	2

Finishes *brass*

US Number	US3	US4	US10	US10B	US15	US26	US26D
BHMA	605	606	612	613	619	625	626

Finishes *stainless steel*

US Number	US32	US32D
BHMA	629	630

Finishes *aluminum*

US Number	US28
BHMA	628

Finishes *plastic*

Clear and Black

Residential Grade Kickplates available Carded only, finishes PA28, PA3, PA619, PA716, B3, B505, B619, B716

A
Hinges & Pivots

B13
Pulls & Plates

C
Flush Bolts & Coordinators

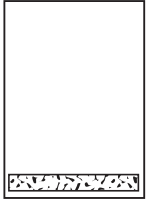
D
Latches, Catches & Bolts

E
Stops

F
Exterior Hardware

G
Miscellaneous Hardware

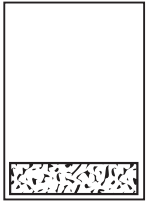
A
Hinges & Pivots



Mop Plates

- Protect the bottom of the pull side of door subject to cleaning and mopping procedures.
- Size Ranges: 4" to 6" high, 22" to 48" wide

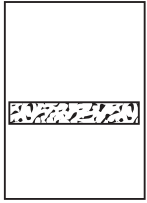
B14
Pulls & Plates



Kick Plates

- Protect the bottom of the push side of doors subject to scuffing from foot traffic.
- Recommended for all doors subject to normal use (especially doors using a closer).
- Size Ranges: 8" to 24" high, 22" to 48" wide

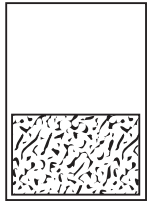
C
Flush Bolts & Coordinators



Stretcher Plates

- Protect doors at specific areas where consistent contact is made by stretchers, service carts or other equipment.
- Usually applied to push side of doors.
- Specify "B4E" Option for beveled edges.
- Size Ranges: 6" to 8" high, 22" to 48" wide

D
Latches, Catches & Bolts



Armor Plates

- Protect lower half of doors from abuse by hard carts, trucks and rough usage.
- Usually applied to push side of single doors and both sides of double acting doors.
- Size Ranges: 26" to 48" high, 22" to 48" wide

E
Stops

F
Exterior Hardware

G
Miscellaneous Hardware

Mounting

- All mounting hardware is for standard 1-3/4" door.
- Consult Customer Service if other than standard.

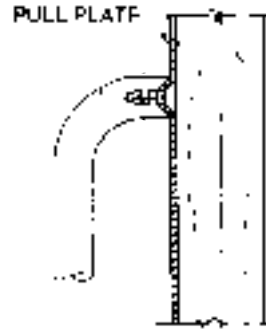
Standard Mount



Standard Mounting

- (2) 1/4-20 x 2-1/4" brass, oval head machine screws; plated to match.
- (2) No. 14 countersunk washers; plated to match

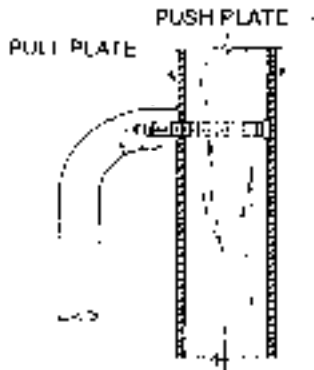
Type G Mount



Concealed Pull Plate Mounting

- Available only for 8302, 8303, 8311 Pull Plates.
- (2) 1/4-20 x 5/8" steel flat head machine screws; zinc plated.
- Pull mounts directly onto plate.
- Plate is attached to door by 6 screws.

Type F Mount

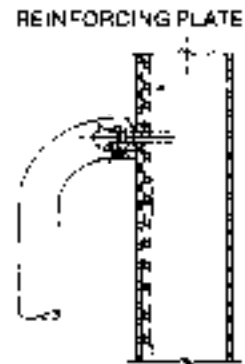


Wood Doors Concealed Pull Mounting With Push Plate

- (2) 1/4-20 x 2-1/4" steel flat head machine screws; zinc plated.

Available only for 8102, 8103, 8105, 8111, 8302, 8303, 8305 and 8311. Plate on opposite side of door must be ordered separately.

Type H-I-L Mount



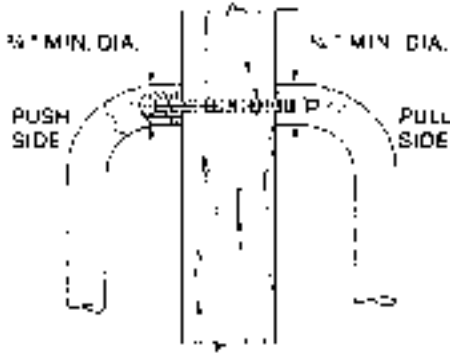
Reinforced Hollow Metal Door Concealed Pull Mounting

- Available only for 8102 8103, 8103EZ or wood door Pulls and 8302, 8303 pull plates.
- (2) Steel screw sleeves; zinc plated.
 - (2) 1/4-20 x 1-1/4" steel countersunk trim head machine screw; zinc plated for reinforced metal door.
 - (2) 1/4 x 1-1/2" steel countersunk trim head steel metal screw; zinc plated for wood doors.

Mounting

- All mounting hardware is for standard 1-3/4" door.
- Consult Customer Service if other than standard.

Type J Mount



Back to Back Pull Mounting

Available only for 8102, 8103, Pulls and 8302, 8303 Pull plates.

- (2) Steel screw sleeves; zinc plated.
 - (2) 1/4-20 x 2-3/4" steel countersunk trim head machine screws; zinc plated.
- Pulls furnished in pairs (PR) unless single (SGL) specified.

Type K Mount



Back to Back Pull Mounting

Available only for 8121-5 Pulls.

- (4) Steel screw sleeve nuts; steel zinc plated.
 - (8) No. 8-32 x 1" brass oval head machine screws; plated to match.
- Pulls furnished in pairs (PR).

A
Hinges & Pivots

B16
Pulls & Plates

C
Flush Bolts & Coordinators

D
Latches, Catches & Bolts

E
Stops

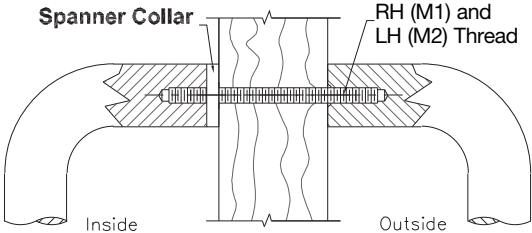
F
Exterior Hardware

G
Miscellaneous Hardware

Mounting for 8103EZ, 8190, 9100, 9103EZ and 9190

- All mounting hardware is for standard 1-3/4" door.
- Consult Customer Service if other than standard.

Type M Mount



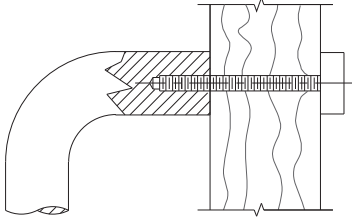
Back-to-Back with Spanner Collar

Wood or Metal Door

Available only for 8103EZ and 8190 Pulls.

- (2) 3/8-16 x 2-7/8" RH/LH bolts with finish matching spanner collars for tight, durable back-to-back mounting. Pulls furnished in pairs (PR) or Single (SGL) must specify M1 or RH thread or M2 for LH thread.

Type O Mount



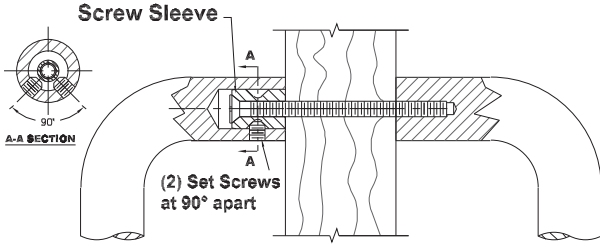
Decorative Blind Thru - Bolt

Wood or Metal Door

Available only for 8103EZ, 8190 and 9100 series Push/Pull Combinations.

- (2) 1/4-20 x 2-1/4" blind thru - bolts; plated to match.

Type N Mount



Back-to-Back "Two-Anchor"

Wood or Metal Door

Available only for 8103EZ, 8190 and 9100 series Push/Pull Combinations.

- (2) 1/4-20 x 2-3/4" steel countersunk trim head machine screws with (4) set screws for maximum anchoring force.
- (2) Steel screw sleeves; zinc plated.

Type NO Push/Pull Mounting

Type N & Type O

Pushbar to Pull

- (1) 1/4-20 X 3" steel countersunk trim head machine screws with (2) set screws.
- (1) steel screw sleeve, zinc plated.

Free End Pushbar & Pull

- (2) 1/4-20 X 2-1/4" blind thru-bolts; plated to match.

Type NS-Standard Push/Pull Mounting

Type N & Standard

Pushbar to Pull

- (1) 1/4-20 X 3" steel countersunk trim head machine screws with (2) set screws.
- (1) steel screw sleeve, zinc plated.

Free End Pushbar & Pull

- (2) 1/4-20 X 2-1/4" brass, oval head mach screws; plated to match.
- (2) No. 14 countersunk washers; plated to match.

A
Hinges & Pivots

B17
Pulls & Plates

C
Flush Bolts & Coordinators

D
Latches, Catches & Bolts

E
Stops

F
Exterior Hardware

G
Miscellaneous Hardware

A Hinges & Pivots
B18 Pulls & Plates
C Flush Bolts & Coordinators
D Latches, Catches & Bolts
E Stops
F Exterior Hardware
G Miscellaneous Hardware

Table Of Contents

Flush Bolts	page
FB31, FB32, FB33 Automatic Flush Bolt	C2
FB41, FB42 Automatic Flush Bolt	C3
FB51, FB52, FB53 Automatic Flush Bolt	C4
FB61, FB62 Constant Latching Flush Bolt	C5
261 Manual Flush Bolt	C6
262 Manual Flush Bolt	C6
265 Manual Flush Bolt	C7
FB358 Manual Flush Bolt	C8
FB457 Manual Flush Bolt	C9
FB458 Manual Flush Bolt	C10
DP1, DP2 Dust Proof Strike	C11
Coordinators	
COR Series Bar Coordinator	C12
FL Series Filler bar	C12
MB1, MB2 Mounting Brackets	C13
MB1F, MB2F, MB3F Mounting Brackets	C13
MB1V, MB2V, MB3V Mounting Brackets	C13
COR7G, CORG Gravity Coordinator	C14
CB1 Carry Bar	C14
How to order	C15
Special factory prep	C16



A
Hinges & Pivots

B
Pulls & Plates

C2
Flush Bolts & Coordinators

D
Latches, Catches & Bolts

E
Stops

F
Exterior Hardware

G
Miscellaneous Hardware



Meets ANSI A156.3 Type 25.
UL Listed 3 Hour Fire Doors 8'0" x 10'0"

FB31P Top and Bottom Bolts (Pair)

- Fully Automatic—inactive door is latched, bolts are extended when active door closes, door is unlatched, bolts retract when active door is opened.
- Low Actuation Forces—Top Bolt Has No Spring Tension.
- Fits standard ANSI A115.4 Door Frame Preparations.
- Non-handed.
- Bolt throw is 3/4" with a 7/8" vertical adjustment.
- Bolt backset is 3/4"
- Standard Rod Length is 12", which is measured from the center of the flush bolt body to the bolt tip. Optional rod lengths available for top bolt only on non-fire rated openings—18", 24", 36" and 48.

DP1 or DP2 optional dust proof strike available, see page C11.

FB31T Top Bolt Only FB31B Bottom Bolt Only

FB32 Top Bolt with Auxiliary Fire Latch

- FB32 Model with Auxiliary Fire Latch eliminates the bottom bolt and is UL Listed for Fire Doors.

FB33 Top Bolt with Auxiliary Fire Latch and Retrofit Plate

- FB33 Model with Auxiliary Fire Latch eliminates the bottom bolt and includes a retrofit plate to cover existing bottom bolt prep. UL Listed for Fire Doors.



Meets ANSI A156.3 Type 25.
UL Listed 3 Hour Fire Doors 8'0" x 10'0"

Dimensions

Body Size: 1" Wide x 6-3/4" Long x 2" Deep

Guide Size: 1" Wide x 1-27/32" Long x 27/32" High x 3/32" Thick

Strike Size: 15/16" Wide x 2-1/4" Long x 1/16" Thick

Rub Plate Size: 1-1/4" Wide x 1-11/16" Long x 3/64" Thick

Auxiliary Fire Latch Size: 1" Wide x 1-3/4" Long x 3-1/4" Deep

Retrofit Plate Size: 1" Wide x 6-3/4" Long x 3/32" Thick

Finishes

Ives Number	US3	US4	US10	US10B	US32	US32D
BHMA	605	606	612	613	629	630



Meets ANSI A156.3 Type 25.
UL Listed 90 Minute Fire Doors 8'0" x 8'0"

FB41P Top and Bottom Bolts (Pair)

- Fully Automatic—inactive door is latched, bolts are extended when active door closes, door is unlatched bolts retract when active door is opened.
- Low Actuation Forces—Top Bolt Has No Spring Tension.
- Non-handed.
- Bolt throw is 3/4" with a 7/8" vertical adjustment.
- Bolt backset is 3/4"

DP1 or DP2 optional dust proof strike available, see page C11.

FB41T Top Bolt Only
FB41B Bottom Bolt Only

FB42 Top Bolt with Auxiliary Fire Latch

- FB42 Model with Auxiliary Fire Latch eliminates the bottom bolt and is UL Listed for Fire Doors.



Meets ANSI A156.3 Type 25.
UL Listed 20 Minute Fire Doors 8'0" x 8'0"

Dimensions

Body Size: 1" Wide x 8-1/2" Long x 2" Deep

Guide Size: 1" Wide x 6" Long x 1/8" Thick

Strike Size: 15/16" Wide x 2-1/4" Long x 1/16" Thick

Rub Plate Size: 1-1/4" Wide x 1-11/16" Long x 3/64" Thick

Auxiliary Fire Latch Size: 1" Wide x 1-3/4" Long x 3-1/4" Deep

Finishes

Ives Number	US3	US4	US10	US10B	US32	US32D
BHMA	605	606	612	613	629	630

Hinges & Pivots
A

Pulls & Plates
B

Flush Bolts & Coordinators
C3

Latches, Catches & Bolts
D

Stops
E

Exterior Hardware
F

Miscellaneous Hardware
G

A
Hinges & Pivots

B
Pulls & Plates

C4
Flush Bolts & Coordinators

D
Latches, Catches & Bolts

E
Stops

F
Exterior Hardware

G
Miscellaneous Hardware



Meets ANSI A156.3 Type 27.
UL Listed 3 Hour Fire Doors 8'0" x 10'0"

FB51P Top and Bottom Bolts (Pair)

- Constant Latching—inactive door remains latched until the active door is opened, releasing the automatic bottom bolt and then the top bolt can be manually released. Inactive door will relatch automatically when closed.
- Low Actuation Forces.
- Fits standard ANSI A115.4 Door and Frame Preparations.
- Non-handed.
- 3/4" bolt throw with a 7/8" vertical adjustment.
- 3/4" backset
- Standard Rod Length is 12", which is measured from the center of the flush bolt body to the bolt tip. Optional rod lengths available for top bolt only on non-fire rated openings—18", 24", 36" and 48".

DP1 or DP2 optional dust proof strike available, see page C11.

FB51T Top Bolt Only

FB52 Top Bolt with Auxiliary Fire Latch

- FB52 Model with Auxiliary Fire Latch eliminates the bottom bolt and is UL Listed for Fire Doors.

FB53 Top Bolt with Auxiliary Fire Latch & Retrofit Plate

- FB53 Model with Auxiliary Fire Latch eliminates the bottom bolt and includes a retrofit plate to cover existing bottom bolt prep. UL Listed for Fire Doors.



Meets ANSI A156.3 Type 27.
UL Listed 3 Hour Fire Doors 8'0" x 10'0"

Dimensions

Body Size: 1" Wide x 6-3/4" Long x 2" Deep

Guide Size: 1" Wide x 1-27/32" Long x 11/16" High x 3/32" Thick

Strike Size: 15/16" Wide x 2-1/4" Long x 1/16" Thick

Rub Plate Size: 1-1/4" Wide x 1-11/16" Long x 3/64" Thick

Auxiliary Fire Latch Size: 1" Wide x 1-3/4" Long x 3-1/4" Deep

Retrofit Plate Size: 1" Wide x 6-3/4" Long x 3/32" Thick

Finishes

Ives Number	US3	US4	US10	US10B	US32	US32D
BHMA	605	606	612	613	629	630



Meets ANSI A156.3 Type 27.
UL Listed 90 Minute Fire Doors 8'0" x 8'0"

FB61P Top and Bottom Bolts (Pair)

- Constant Latching—inactive door remains latched until the active door is opened, releasing the automatic bottom bolt and then the top bolt can be manually released. Inactive door will relatch automatically when door closes.
- Low Actuation Forces.
- Non-handed.
- Bolt throw is 3/4" with a 7/8" vertical adjustment.
- Bolt backset is 3/4"

DP1 or DP2 optional dust proof strike available, see page C11.

FB61T Top Bolt Only

FB62 Top Bolt with Auxiliary Fire Latch

- FB62 Model with Auxiliary Fire Latch eliminates the bottom bolt and is UL Listed for Fire Doors..



Meets ANSI A156.3 Type 27.
UL Listed 20 Minute Fire Doors 8'0" x 8'0"

Dimensions

Body Size: 1" Wide x 8-1/2" Long x 2" Deep

Guide Size: 1" Wide x 6" Long x 1/8" Thick

Strike Size: 15/16" Wide x 2-1/4" Long x 1/16" Thick

Rub Plate Size: 1-1/4" Wide x 1-11/16" Long x 3/64" Thick

Auxiliary Fire Latch Size: 1" Wide x 1-3/4" Long x 3-1/4" Deep

Finishes

Ives Number	US3	US4	US10	US10B	US32	US32D
BHMA	605	606	612	613	629	630

A
Hinges & Pivots

B
Pulls & Plates

C5
Flush Bolts & Coordinators

D
Latches, Catches & Bolts

E
Stops

F
Exterior Hardware

G
Miscellaneous Hardware

A
Hinges & Pivots

B
Pulls & Plates

C6
Flush Bolts & Coordinators

D
Latches, Catches & Bolts

E
Stops

F
Exterior Hardware

G
Miscellaneous Hardware



Meets ANSI/BHMA A156.16, L04201.

261 Flush Bolt

- An exceptionally smooth working flush bolt with sharp, crisp lines.
- Double action spring design provides automatic holding of brass bolt in projected or retracted position, and assures ease of operation in conjunction with deep cup finger hole.
- Made from polished cast brass.
- Bolt tip is 5/16" Diameter
- Bolt throw is 3/4"
- Bolt backset is 15/32"

Dimensions

Body Size: 3/4" Wide x 4" Long x 1-1/8" Deep

Strike Size: 5/8" Wide x 1-1/2" Long

Finishes

Ives Number	B3	B5	B10B	B15	B26	B26D
BHMA	605	609	613	619	625	626



Meets ANSI/BHMA A156.16, L04201.

262 Flush Bolt

- An exceptionally smooth working flush bolt with sharp, crisp lines.
- Double action spring design provides automatic holding of brass bolt in projected or retracted position, and assures ease of operation in conjunction with deep cup finger hole.
- Made from polished cast brass.
- Bolt tip is 1/2" Diameter
- Bolt throw is 1"
- Bolt backset is 15/32"

Dimensions

Body Size: 3/4" W x 6" L x 1-11/32" D

Strike Size: 7/8" W x 1-3/4" L

Finishes

Ives Number	B3	B5	B10B	B15	B26	B26D
BHMA	605	609	613	619	625	626



Meets ANSI/BHMA A156.16, L04201.

265 Flush Bolt

- A flush bolt with radiused bottom faceplate designed specifically for simple one-step router installation.
- Double action spring design provides automatic holding of brass bolt in projected or retracted position, and assures ease of operation in conjunction with deep cup finger hole.
- Faceplate is polished solid brass; bolt is made from aluminum zinc alloy.
- Bolt tip is 1/2" Diameter
- Bolt throw is 1"
- Bolt backset is 1/2"

Dimensions

Body Size: 3/4" W x 6" L x 1-7/16" D

Strike Size: 7/8" W x 1-3/4" L

Finishes

Ives Number	B3	B5	B10B	B15	B26	B26D
BHMA	605	609	613	619	625	626

A
Hinges & Pivots

B
Pulls & Plates

C7
Flush Bolts & Coordinators

D
Latches, Catches & Bolts

E
Stops

F
Exterior Hardware

G
Miscellaneous Hardware



Meets ANSI/BHMA A156.16, L04261.
UL Listed 90 Minute Fire Doors 8'0" x 10'0"

FB358 Top or Bottom Bolts

- When the active door is opened, the lever can be moved to the 'up' position, retracting the bolt and allowing the inactive leaf to be opened. When the inactive leaf is closed, the lever can be moved to the 'down' position, projecting the bolt into the strike and securely locking the inactive leaf.
- Reduces installation costs; requires only simple router mortise at top and bottom corners of doors.
- Door strength and rigidity maintained by tying door faces to reinforcing extensions on guide with machine screws and bearing washers, not supplied.
- Non-handed.
- Bolt tip 1/2" diameter
- Bolt throw is 3/4" with a 7/8" vertical adjustment.
- Bolt backset is 3/4"
- Not available for rabbeted door installations.

DP1 or DP2 optional dust proof strike available, see page C 11.

Dimensions

Body Size: 1" Wide x 6-3/4" Long x 1-3/8" Deep

Guide Size: 1" Wide x 2-1/2" Long x 5/64" Thick

Strike Size: 15/16" Wide x 2-1/4" Long x 5/64" Thick

Finishes

Ives Number	US3	US4	US10	US10B	US15	US26	US26D
BHMA	605	606	612	613	619	625	626

A
Hinges & Pivots

B
Pulls & Plates

C8
Flush Bolts & Coordinators

D
Latches, Catches & Bolts

E
Stops

F
Exterior Hardware

G
Miscellaneous Hardware



Meets ANSI/BHMA A156.16, L04251.
UL Listed 3 Hour Fire Doors 8'0" x 10'0"

FB457 Top or Bottom Bolts

- When the active door is opened, the lever can be moved to the 'up' position, retracting the bolt and allowing the inactive leaf to be opened. When the inactive leaf is closed, the lever can be moved to the 'down' position, projecting the bolt into the strike and securely locking the inactive leaf.
- Simplified installation in metal frames. Round bolt head requires only a punched hole. Use of strike optional. Special design of guide and flat sided bolt tip to prevent bolt rotation.
- Non-handed.
- Bolt tip is 1/2" Diameter.
- Bolt throw is 3/4" with a 7/8" vertical adjustment.
- Bolt backset is 3/4"
- Standard Rod Length is 12", which is measured from the center of the flush bolt body to the bolt tip. Optional rod lengths available - 6", 9", 18" and 24" for fire rated doors. Optional rod lengths available - 6", 9", 18", 24", 30", 36" and 48" for non-fire rated doors.

DP1 or DP2 optional dust proof strike available, see page C11.

Dimensions

Body Size: 1-1/4" Wide x 6-3/4" Long x 1-1/8" Deep

Guide Size: 1" Wide x 2" Long x 5/64" Thick

Strike Size: 15/16" Wide x 2-1/4" Long x 5/64" Thick

Finishes

Ives Number	US3	US4	US10	US10B	US15	US26	US26D
BHMA	605	606	612	613	619	625	626

A
Hinges & Pivots

B
Pulls & Plates

C9
Flush Bolts & Coordinators

D
Latches, Catches & Bolts

E
Stops

F
Exterior Hardware

G
Miscellaneous Hardware

A
Hinges & Pivots

B
Pulls & Plates

C10
Flush Bolts & Coordinators

D
Latches, Catches & Bolts

E
Stops

F
Exterior Hardware

G
Miscellaneous Hardware



Meets ANSI/BHMA A156.16, L04251.
UL Listed 90 Minute Fire Doors 8'0" x 10'0"

FB458 Top or Bottom Bolts

- When the active door is opened, the lever can be moved to the 'up' position, retracting the bolt and allowing the inactive leaf to be opened. When the inactive leaf is closed, the lever can be moved to the 'down' position, projecting the bolt into the strike and securely locking the inactive leaf.
- Simplified installation in metal frames. Round bolt head requires only a punched hole. Use of strike optional. Special design of guide and flat sided bolt tip to prevent bolt rotation.
- Non-handed.
- Bolt tip is 1/2" diameter.
- Bolt throw is 3/4" with a 7/8" vertical adjustment.
- Bolt backset is 3/4"
- Standard Rod Length is 12", which is measured from the center of the flush bolt body to the bolt tip. Optional Rod Lengths available - 6", 9", 18" and 24" for fire rated Doors. Optional Rod lengths available - 6", 9", 18", 24", 30", 36" and 48" for non-fire rated doors.

DP1 or DP2 optional dust proof strike available, see page C11.

Dimensions

Body Size: 1" Wide x 6-3/4" Long x 1-1/8" Deep

Guide Size: 1" Wide x 2" Long x 5/64" Thick

Strike Size: 15/16" Wide x 2-1/4" Long x 5/64" Thick

Finishes

Ives Number	US3	US4	US5	US10	US10B	US15	US26	US26D
BHMA	605	606	609	612	613	619	625	626



DP1



DP2

Meets Meets ANSI/BHMA 156.16, L14011.

DP1 DP2 Dust Proof Strikes

- Designed for use with the bottom bolt of all flush bolts.
- Spring-loaded plunger returns to floor or threshold level anytime flush bolt is retracted, eliminating need to clean standard floor strikes.
- Strike hole is 3/4" Diameter and 1-1/8" Deep

Dimensions

DP1 Face Plate: 1-7/16" Diameter

DP2 Face Plate: 1-5/8" W x 3-1/2" L x 1/8" Thick

Body: 1-3/16" Diameter x 1-7/8" Deep

Finishes

Ives Number	US3	US4	US10	US10B	US26	US26D
BHMA	605	606	612	613	625	626

A
Hinges & Pivots

B
Pulls & Plates

C11
Flush Bolts & Coordinators

D
Latches, Catches & Bolts

E
Stops

F
Exterior Hardware

G
Miscellaneous Hardware

A
Hinges & Pivots



B
Pulls & Plates

Meets ANSI/BHMA A156.3, Type 21A.
UL Listed for installation on labeled frame.

COR Series Bar Coordinators

- The COR Series Coordinators are designed for use on pairs of doors when one door needs to close before the other.
- All COR units function easily. The active door lever, located nearest to the active stop, holds the active door open until the trigger mechanism is released by the closing of the inactive leaf.
- All COR units may not function correctly with swingclear hinges.
- All COR units are equipped with an adjustable override feature which allows the active door to close under extreme pressure.
- All COR units are compatible with Flush Bolts.
- The COR Series is available in five sizes for variable door opening widths.
- The COR Series does not cover the entire length of the stop, so a FL filler bar can be provided to maintain architecturally clean lines.
- COR Series Coordinator Channels and FL fillers are made of aluminum.
- Optional Filler Bars: FL20 - 20", FL32 - 32" and FL44 - 44", available to maintain clean line.
- Optional Mounting Brackets available: MB1, MB2, MB1F, MB2F, MB3F, MB1V, MB2V, and MB3V for other stop applied hardware.

C12
Flush Bolts & Coordinators

For Openings Where Doors Are Same Size

Coordinator Number	Length of Channel	For Opening Widths	Common Applications
COR32	32"	34" - 52"	Pair of 2'0" Doors
COR42	42"	52" - 72"	Pair of 2'6" Doors
COR52	52"	62" - 92"	Pair of 3'0" Doors
COR60	60"	70" - 108"	Pair of 3'6" Doors
COR72	72"	84" - 132"	Pair of 4'0" Doors

For Openings Where Doors Are Unequal Size

The coordinator length should equal the active door width plus approximately 1/2 the inactive door width. The coordinator must be 6" longer than the active door width and shorter than the overall frame opening between stops.

D
Latches, Catches & Bolts

Finishes

Ives Finish	US28	US26D	315AN
BHMA	628	713	711

E
Stops



FL Series Filler Bars

- The FL Filler Bars are available in three sizes for variable frame openings.
- FL Filler Bars are made of aluminum
- FL Filler Bars are field sized to frame opening.

F
Exterior Hardware

Filler Bar

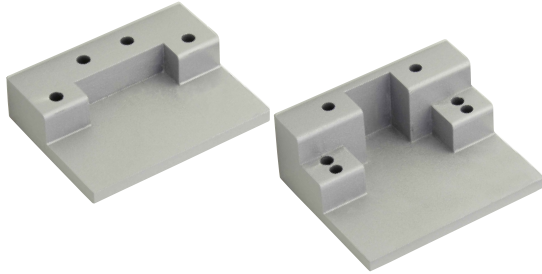
Filler Bar Number	Length	Dimensions
FL20	20"	1-5/8" W x 5/8" D x 20" L
FL32	32"	1-5/8" W x 5/8" D x 32" L
FL44	44"	1-5/8" W x 5/8" D x 44" L

Finishes

Ives Finish	US28	US26D	315AN
BHMA	628	713	711

G
Miscellaneous Hardware

MB1 and MB2 Mounting Brackets



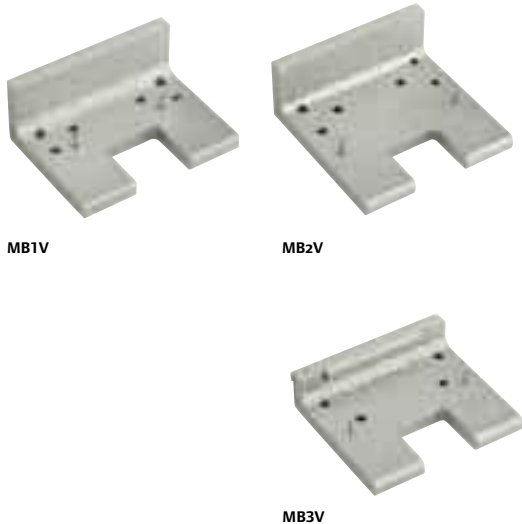
- Allows stop mounted hardware to be properly installed without damaging the COR coordinator, such as a parallel arm closer or a non-fire-rated surface vertical rod strike.
- Stop mounted hardware will need to be lowered to compensate for the height of the coordinator and mounting bracket.
- MB mounting brackets are made of aluminum

Product	Jamb Depth	Stop Width	Dimensions
MB1	4-3/4" Min.	Over 2-1/2"	4" W x 3" D x 15/16" T
MB2	4-3/4" Min.	Up to 2-1/2"	4" W x 3-1/4" D x 1-5/8" T

Finishes

IVES Finish	USP	SP28	SPBLK
BHMA	600	689	622

**MB1F, MB2F and MB3F
MB1V, MB2V and MB3V**



Fire Rated Mounting Brackets

- Allows for fire-rated stop mounted hardware to be properly installed without damaging the COR Coordinators, such as fire-rated surface vertical rod exit device strikes.
- Latch will need to be lowered to compensate for the height of the coordinator and mounting bracket.
- MB-V are designed for Von Duprin 8827-F soffit latch.
- Mounting brackets are made of steel.

Product	Jamb Depth	Stop Width	Dimensions
MB1F	5"	1-1/2" - 2-1/4"	4" W x 3" D x 1-5/8" T
MB1V	5"	1-1/2" - 2-1/4"	4" W x 3" D x 1-5/8" T
MB2F	5-7/8"	2-3/8" - 3-1/4"	4"W x 4" D x 1-5/8" T
MB2V	5-7/8"	2-3/8" - 3-1/4"	4"W x 4" D x 1-5/8" T
MB3F	6-7/8"	Over 3-3/8"	4"W x 3-1/2" D x 1" T
MB3V	6-7/8"	Over 3-3/8"	4"W x 3-1/2" D x 1" T

Finishes

IVES Finish	USP	SP28	SPBLK
BHMA	600	689	622

A
Hinges & Pivots

B
Pulls & Plates

C13
Flush Bolts & Coordinators

D
Latches, Catches & Bolts

E
Stops

F
Exterior Hardware

G
Miscellaneous Hardware

A
Hinges & Pivots

B
Pulls & Plates

C14
Flush Bolts & Coordinators

D
Latches, Catches & Bolts

E
Stops

F
Exterior Hardware

G
Miscellaneous Hardware

COR7G and COR9G



Meets ANSI/BHMA A156.3, Type 21.
UL Listed for Fire Doors.

Gravity Coordinators

- When active door is open, coordinator prevents active door from closing until inactive door bypasses. Closing of inactive door causes strike plate on top of door to contact cam and lift arm, allowing active door to close. As inactive door continues closing, roller rides over strike plate on to door bracket, holding arm above active door.
- Non-handed.
- Gravity action arm and door bracket are adjustable on the job for ease of installation. Rubber roller provides quiet and efficient operation, and helps protect the astragal and doors from damage.
- Nylon roller on short arm glides smoothly over door bracket and strike, ensuring silent operation.
- Made of forged brass.
- COR7G for use on pairs of doors with astragal on active door up to 4' or with astragal on inactive door up to 3'4" or with astragal on both doors up to 2'10"
- COR9G for use on pairs of doors with astragal on active over 4' or with astragal on inactive door over 3'4" or with astragal on both doors over 2'10"

Product	Projection
COR7G	7"
COR9G	9"

Finishes

Ives Finish	US3	US4	US10	US10B	US26	US26D
BHMA	605	606	612	613	625	626



Meets ANSI/BHMA A156.3, Type 21.

CB1 Carry Bar

- Used when it is possible for the inactive door to be opened before the active door.
- Prevents damage to the doors and other hardware.
- Nylon roller insures quiet and efficient operation.
- Non-handed.
- All-steel construction.
- Standard sex bolts for mounting.

Finishes

Ives Finish	US3	US4	US10	US10B	US26	US26D	SPBLK	USP
BHMA	605	606	612	613	625	626	622	600

How to Order COR and Accessories

COR 52 - US28 - FL20 - D - 36"

COR Size:

32, 42, 52, 60, 72

Finishes:

US28, US26D, 315AN

Filler Bar (if desired):

FL20, FL32, FL44

Vertical Rod Exit Device Cutout Type (if applicable):

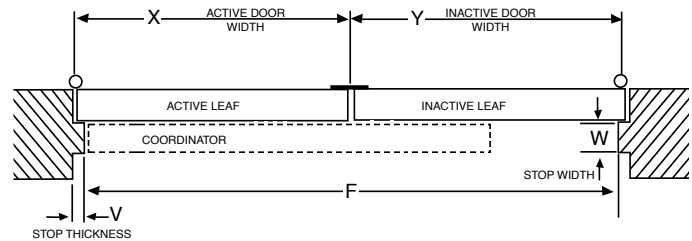
A, B, C, D, E, F, G

If other Vertical Rod Exit Device not listed on chart, from page C16, include information as shown on page C16.

Active Door Size – Required for ALL Vertical Rod Exit Device Applications

To determine the size COR you need:

1. Start with the active door width (X).
2. Next consider the overall frame opening between stops (F).
3. Preferably, the coordinator would equal the active door width (X) + approximately 1/2 inactive door width (Y).
The coordinator must be 6" longer than the active door width (X) and less than the overall frame opening between stop (F).



Examples:

- Pair of 30" Doors, 5/8" Stops
Active Door Size, X = 30"
Overall Frame Opening between Stops, F = 58-3/4"
Recommended Coordinator: COR42
- 36" Active Door, 18" Inactive door, 5/8" Stops
Active Door Size, X = 36"
Overall Frame Opening between Stops, F = 52-3/4"
Recommended Coordinator: COR42
- Pair of 36" Doors, 5/8" Stops
Active Door Size, X = 36"
Overall Frame Opening between Stops, F = 70-3/4"
Recommended Coordinator: COR52
- 48" Active Door, 24" Inactive Door, 5/8" Stops
Active Door Size, X = 48"
Overall Frame Opening between Stops, F = 94-3/4"
Recommended Coordinator: COR60

A
Hinges & Pivots

B
Pulls & Plates

C15
Flush Bolts & Coordinators

D
Latches, Catches & Bolts

E
Stops

F
Exterior Hardware

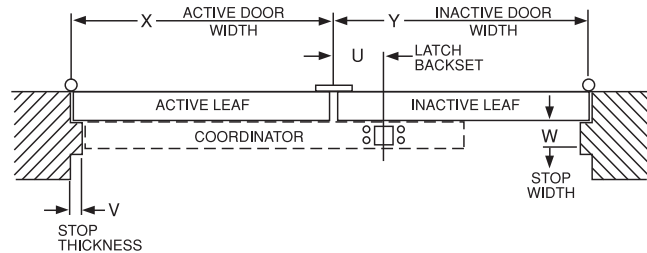
G
Miscellaneous Hardware

Special Factory Preparation for Use with Vertical Rod Exit Devices

Coordinators may need to be prepared at the factory for use with some surface or concealed vertical rod exit devices. (See Chart below)

If the exit device is not listed the following information is needed.

1. Exit Device Manufacturer and Model No.
2. Active Door Size, "X"
3. Inactive Door Size, "Y"
4. Exit Device Backset, "U"
5. Stop Width, "W"
6. Stop Thickness if other than 5/8", "V"



Exit Device Manufacturer	Exit Device Number	Device Backset	Maximum Active Door	Coordinator Size Needed	Coordinator Cutout Type	Mounting Bracket Needed
Von Duprin	5547-F	2-3/8"	33" 43" 51" 63"	42" 52" 60" 72"	Type A	None
Von Duprin	8827-F	2-3/4"	33" 43" 51" 63"	42" 52" 60" 72"	Type B	MB1V, MB2V or MB3V see page C3
Von Duprin	8847-F	2-3/8"	33" 43" 51" 63"	42" 52" 60" 72"	Type C	None
Von Duprin	33/3547 33/3547-F 98/9947 98/9947-F	2-3/4"	33" 43" 51" 64"	42" 52" 60" 72"	Type D	None
Von Duprin	33/3548 33/3548-F 98/9948 98/9948-F	2-3/4"	33" 43" 51" 64"	42" 52" 60" 72"	Type D	None
Von Duprin	33/3547WDC 33/3547WDC-F 98/9947WDC 98/9947WDC-F	1-5/16"	34" 44" 52" 65"	42" 52" 60" 72"	Type E	None
Monarch	17-C F-17-C 18-C F-18-C XX-C F-XX-C 24-C F-24-C 25-C F-25-C	2-3/4"	33" 43" 51" 63"	42" 52" 60" 72"	Type F	None
Monarch	17-C-WDC F-17-C-WDC 18-C-WDC F-18-C-WDC XX-C-WDC F-XX-C-WDC 24-C-WDC F-24-C-WDC 25-C-WDC F-25-C-WDC	2-13/16"	33" 43" 51" 63"	42" 52" 60" 72"	Type G	None

Table Of Contents

Surface Bolts	page
SB360 Surface Bolt	D2
SB453 Surface Bolt	D2
SB1600 Surface Bolt	D3
SB1601M1 Surface Bolt	D3
SB1601M2 Surface Bolt	D3
40 Surface Bolt, Decorative	D4
253 Surface Bolt, Decorative	D5
S48 Mortise Door Bolt	D6
054 Dutch Door Bolt	D6
 Door Guards	
481 Chain Door Guard	D7
482 Solid Bar Door Guard	D7
 Roller Latch	
RL30 Roller Latch	D8
RL32 Roller Latch	D8
RL36 Roller Latch	D9
RL38 Roller Latch	D9
RL1152 Roller Latch	D10
STK685 Strike Plate	D10
STK685L Strike Plate	D10
 Angle Stop	
AS18 Angle Stop	D11
AS895 Angle Stop	D11
 Latches/Catches	
CL11 Invisible Latch	D12
CL12 Invisible Latch	D12
CL14 Auxiliary Pusher	D12
CL21 Ball Catch	D13
CL21A Ball Catch	D13
CL22 Ball Catch	D13
325 Magnetic Catch	D14
326 Magnetic Catch, Heavy Duty	D14
327 Magnetic Catch, Heavy Duty	D14
330 Roller Catch	D15
335 Roller Catch	D15
336 Roller Catch	D15
345 Ball Catch, Adjustable	D16
347 Ball Catch, Dual Adjustable	D16
349 Ball Catch	D16



Hinges & Pivots	A
Pulls & Plates	B
Flush Bolts & Coordinators	C
Latches, Catches & Bolts	D1
Stops	E
Exterior Hardware	F
Miscellaneous Hardware	G

A
Hinges & Pivots

B
Pulls & Plates

C
Flush Bolts & Coordinators

D2
Latches, Catches & Bolts

E
Stops

F
Exterior Hardware

G
Miscellaneous Hardware



Meets ANSI/BHMA A 156.16
UL listed 3 hour fire door, up to 10'0"
Miami Dade County NOA Listed

SB360 Surface Bolt

- Surface Bolt has 1-1/4" throw for maximum security.
- Jimmy-resistant design, bolt locks automatically when thrown, can be released only by pressing knob toward door while retracting.
- Ideal for all types of doors.
- Available in 12" length
- Unit locks in both the up and down position.
- Accepts padlock (not furnished) with maximum 3/8" diameter shackle, minimum 1-3/4" shackle opening height.
- Units packed with one-way screws for added security. Standard screws also supplied.
- Units packed with both a universal top strike (US) and a mortise bottom strike (MS).
- Constructed of heavy duty steel.
- Optional Sex Bolts available.
- Optional Mortise Strike available.

Dimensions

Bar: 3/4" Wide x 3/4" Thick
Overall Width: 2-1/32"
Overall Projection: 2-1/16"
Top Strike: 1-1/2" Wide x 1-1/2" Long x 3/16" Thick
Optional Mortise Strike: 1-5/8" Wide x 3-1/2" Long x 1/8" Thick

Finishes

Ives Number	US2C
BHMA	603



Meets ANSI/BHMA A156.16 L84161
UL listed 3 hour fire door, up to 10'0"

SB453 Surface Bolt

- Surface Bolt has 1-3/16" throw for maximum security.
- Strong tension springs prevent creep.
- Ideal for all types of doors.
- Available 8" & 12" lengths.
- Units packed with standard screws for added security.
- Units packed with both a universal top strike (US) and a mortise bottom strike (MS).
- Constructed of heavy duty steel.
- Optional Sex Bolts available.
- Optional Thru Bolts available.

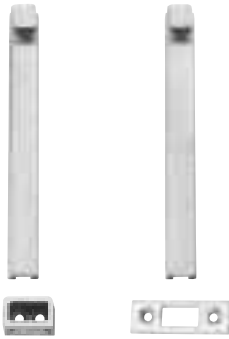
Dimensions

Bar: 3/4" Wide x 1/4" Thick
Overall Width: 2-1/32"
Overall Projection: 1-5/16"
Top Strike: 1-1/2" Wide x 1-1/2" Long x 3/16" Thick
Bottom Strike: 1-5/8" Wide x 3-1/2" Long x 1/8" Thick

Finishes

Ives Number	US2C	US3	US4*	US10	US10B	US26D
BHMA	603	632	633	639	640	652

* only available in 8" bolt length.



1630 meets ANSI/BHMA A156.16, L84161 and UL listed 3 hour fire doors up to 8'0" in height.

1640 meets ANSI/BHMA A156.16, L24161.

SB1600 Surface Bolt

- Standard Surface Bolt has 1" throw for maximum security.
- Ideal for all types of doors.
- Fully concealed mounting prevents vandalism.
- Available in locking version. Unit locks in both the up and down position. Locking Bolts are furnished with 2 keys in 4 keying variations.
- Units packed with wood and machine screws to meet most field conditions.
- Units available with either a universal top strike (T) or a flat bottom strike (B).
- 1630 Series is constructed of heavy duty steel.
- 1640 Series is constructed of brass.
- Optional sex bolts available

Dimensions

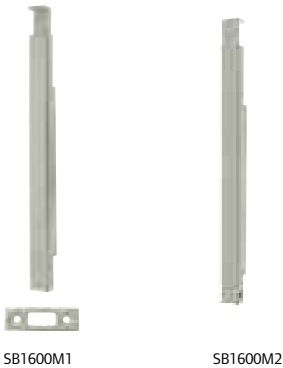
Body: 8" Long x 7/8" Wide x 3/4" Thick,
 Overall Knob or Lock Housing Projection: 1-1/2"
 Top Strike: 1-1/4" Wide x 7/8" Tall x 15/16" Deep
 Bottom Strike: 3" Long x 1" Wide x 1/8" Thick

SB1630 Finishes *steel*

Ives Number	US2G	US10B	US26D
BHMA	604	640	652

SB1640 Finishes *brass*

Ives Number	US3	US10B	US26D
BHMA	605	613	626



SB1600M1

SB1600M2

UL listed 3 hour fire doors up to 8'0" in height.

**SB1600M1
 SB1600M2 Surface Bolt**

- Standard Surface Bolt has 3-1/2" throw for maximum security and for doors with larger undercuts.
- Sleek handle design.
- Ideal for all types of doors.
- Fully concealed mounting prevents vandalism.
- Available in locking version. Unit locks in both the up and down position. Locking bolts are furnished with 2 keys in 4 keying variations.
- Units packed with wood and machine screws to meet most field conditions.
- Units available with either a universal top strike (T) or a flat bottom strike (B).
- Constructed of heavy duty steel.
- Optional sex bolts available

Dimensions

Bar: 11" Long x 3/4" Wide x 3/4" Thick, locking version 1-1/2" Thick
 Top Strike: 1-1/4" Wide x 7/8" Tall x 15/16" Deep
 Bottom Strike: 3" Long x 1" Wide x 1/8" Thick

Finishes

Ives Number	SP4	SP10	SP28	SP313	SPBLK
BHMA	706	691	689	695	622

A Hinges & Pivots

B Pulls & Plates

C Flush Bolts & Coordinators

D3 Latches, Catches & Bolts

E Stops

F Exterior Hardware

G Miscellaneous Hardware



Meets ANSI/BHMA A156.16

40 Decorative Surface Bolt

- Concealed screw design enhances appearance and security.
- Exceptional strength and durability provided by interlocking construction of heavy gauge track and rod.
- Permanent stop prevents rod disengagement from track.
- Tension spring holds bolt in desired position.
- Track assures smooth operation and interlocks with side edges of rod to eliminate marring.
- Decorative 5/8" diameter knob designed to facilitate bolt operation.
- Made from extruded brass or aluminum.
- Available in 3", 4" and 6" lengths.
- Packed with both Universal and Mortise Strikes. Optional Surface Strike available.

Dimensions

Throw: 15/16"
 Projection: 3/4"
 Width: 11/16"
 Length: 3", 4" or 6"

Finishes *brass*

Ives Number	B3	B5	B10B	B15	B26	B26D
BHMA	605	609	613	619	625	626

Finishes *aluminum*

Ives Number	A3*	A15*	PA28	A716*
BHMA	666	670	628	

* only available 3" bolt Schlage Carded.

A
Hinges & Pivots

B
Pulls & Plates

C
Flush Bolts & Coordinators

D4
Latches, Catches & Bolts

E
Stops

F
Exterior Hardware

G
Miscellaneous Hardware



Meets ANSI/BHMA A156.16

253 Decorative Surface Bolt

- Heavy duty, decorative bolt ideal where extra strength required
- Decorative 1-1/4" diameter knob fits well with any décor and designed to facilitate bolt operation.
- Made from solid brass.
- Available in 8" and 12" lengths.
- Packed Universal Strike (US) & Mortise Strike (MS).

Dimensions

Throw: 1-1/8"
 Projection: 1-5/16"
 Half Round Rod: 5/8"
 Overall Width: 1-5/8"
 Length: 8" or 12"

Finishes

Ives Number	B3	B10B	B26D
BHMA	605	613	626

A
Hinges & Pivots

B
Pulls & Plates

C
Flush Bolts & Coordinators

D5
Latches, Catches & Bolts

E
Stops

F
Exterior Hardware

G
Miscellaneous Hardware

A
Hinges & Pivots

B
Pulls & Plates

C
Flush Bolts & Coordinators

D6
Latches, Catches & Bolts

E
Stops

F
Exterior Hardware

G
Miscellaneous Hardware



Meets ANSI/BHMA A156.16.

054 Dutch Door Bolt

- Practical, rugged, attractive bolt for application on dutch doors as well as other areas.
- Chamfered rod end draws the two leaves of door tightly together.
- Sufficient tolerance provided in strike opening to allow for misalignment of door leaves and also prevents binding of bolt.
- Decorative 1" diameter knob designed to facilitate bolt operation.
- Made from solid brass.
- Packed with Standard Strike (SS), Mortise Strike (MS) and Universal Strike (US).

Dimensions

Throw: 5/8"
 Projection: 1-1/8"
 Half Round Rod: 5/8"
 Overall Width: 1-5/8"
 Rod Length: 4-1/4"
 Overall Length: Specify 4-3/8" (Including Knob)

Finishes

Ives Number	B3	B4	B10	B10B	B15	B26	B26D
BHMA	605	606	612	613	619	625	626



Meets ANSI/BHMA A156.16.

S48 Mortise Door Bolt

- Brass oval turn knob and escutcheon.
- Steel bolt for extra strength.
- Rack is milled for precision fit with pinion.

Dimensions

Backset: 1-3/4"
 Bolt Throw: 1/2"
 Bolt Diameter: 1/2"
 Case: 2-1/2" Long x 9/16" diameter
 Strike: 1-3/4" High x 7/8" Wide

Finishes *brass*

Ives Number	B3	B5	B10B	B15	B26	B26D
BHMA	605	609	613	619	625	626

481 Chain Door Guard



Meets ANSI/BHMA A156.16

- Permits the door to be slightly opened to allow viewing.
- Narrow chain holder maintains chain in stationary position when door guard is not in use, eliminating marring of door and frame caused by dangling chain.
- Welded twist link steel chain finished to match door plate and chain holder.
- Made from wrought brass or burnished wrought steel.
- Packed with sheet metal screws.

Dimensions

Door Plate: 3-3/8" Long x 1-7/16" Wide

Chain Holder: 1-10/16" High x 3/4" Wide

Chain Length: 4-3/4"

Finishes *brass*

Ives Number	B3	B26D
BHMA	605	626

Finishes *steel*

Ives Number	F3	F4	F5	F10	F15	F26	F26D	F716
BHMA	632	633	638	639	646	651	652	

482 Solid Bar Door Guard



Meets ANSI/BHMA A156.16

- For use on doors that are flush with frames.
- The solid bar, interlocking with the ball on the strike plate, permits the door to be slightly opened to allow viewing.
- The hinged bar allows the door guard to be positioned 180° away from the door when not in use.
- Edge guard only, furnished with cast brass door guards, minimizes the chance for marring the door or frame.
- Strike plate is designed to prevent the solid bar from marring the inside of the door when in use.
- Made from cast brass or cast aluminum.
- Packed with sheet metal screws.
- Shims available in US26D (626) only, 1/8" or 3/8".

Cast Brass Dimensions

Strike Plate: 2-5/8" High x 1-1/32" Wide

Holder: 1-3/4" High x 1-1/16" Wide

Arm Length: 4-3/4"

Edge Guard: 1-1/8" High x 1-1/32" Wide

Cast Aluminum Dimensions

Strike Plate: 2-1/2" High x 7/8" Wide

Holder: 2-1/2" High x 15/16" Wide

Arm Length: 3-13/16"

Finishes *brass*

Ives Number	B3	B4	B10	B10B	B15	B26	B26D
BHMA	605	606	612	613	619	625	626

Finishes *aluminum*

Ives Number	A3	A5	A26	A26D
BHMA	666		672	702



Meets ANSI/BHMA A156.16, E19091

RL30 Roller Latch

- Actuation is simple, closing of the door causes the roller to fall in the depression of the strike, thereby holding the door closed.
- The projection of the roller is easily adjusted using adjusting screws on the face of the unit.
- Maximum projection of the roller is 3/8" allowing for variance in the door clearance.
- Nylon Roller Standard.
- Forged Brass Construction.
- Optional Strike—A—ASA.
- Optional— F — Brass Roller, must be ordered separately.

Dimensions

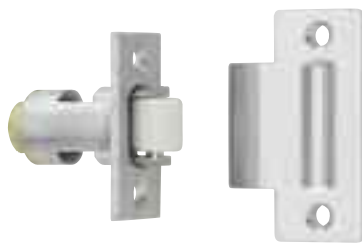
Body: 1" Wide x 3-3/8" High x 1-11/16" Deep

Strike: 1-11/16" Wide x 2-1/4" High x 5/32" Thick, Lip to Center- 1-5/16"

Optional ASA Strike: 1-1/4" Wide x 4-7/8" High x 3/32" Thick, Lip to Center- 1-1/4"

Finishes *brass*

Ives Number	US3	US4	US10	US10B	US26	US26D
BHMA	605	606	612	613	625	626



Meets ANSI/BHMA A156.16, E19091

RL32 Roller Latch

- Actuation is simple, closing of the door causes the roller to fall in the depression of the strike, thereby holding the door closed.
- The projection of the roller is easily adjusted by turning knurled knob on back of latch.
- Maximum projection of the roller is 1/2" allowing for variance in the door clearance.
- Fits heavy-duty cylindrical lock cutout.
- Nylon Roller Standard.
- Non-handed.
- Brass Construction.
- Optional Strike—A—ASA.

Dimensions

Body: 1-1/8" Wide x 2-1/4" High x 2-1/4" Deep

Strike: 1-1/8" Wide x 2-3/4" High x 3/32" Thick, Lip to Center- 1-1/4"

Optional ASA Strike: 1-1/4" Wide x 4-7/8" High x 3/32" Thick, Lip to Center- 1-1/4"

Finishes *brass*

Ives Number	US3	US4	US10	US10B	US26	US26D
BHMA	605	606	612	613	625	626



Meets ANSI/BHMA A156.16, L57082

RL36 Roller Latch

- Actuation is simple, closing of the door causes the roller to fall in the depression of the strike, thereby holding the door closed.
- The projection of the roller is easily adjusted by turning slotted screw on back of latch.
- Maximum projection of the roller is 5/16" allowing for variance in the door clearance.
- Fits cylindrical lock cutout.
- Nylon Roller.
- Non-handed.
- Stainless Steel Construction.
- Optional Strike—A—ASA.

Dimensions

Body: 1" Wide x 2-1/4" High x 2" Deep

Strike: 1-1/8" Wide x 2-3/4" High x 3/32" Thick, Lip to Center- 1-1/4"

Optional ASA Strike: 1-1/4" Wide x 4-7/8" High x 3/32" Thick, Lip to Center- 1-1/4"

Finishes *Stainless Steel*

Ives Number	US32D
-------------	-------

BHMA	630
------	-----



Meets ANSI/BHMA A156.16, L27092

RL38 Roller Latch

- Actuation is simple, closing of the door causes the roller to fall in the depression of the strike, thereby holding the door closed.
- The projection of the roller is easily adjusted by turning slotted screw.
- Maximum projection of the roller is 3/8" allowing for variance in the door clearance.
- Nylon Roller.
- Non-handed.
- Stainless Steel Construction.

Dimensions

Body: 1-3/8" Wide x 2" High x 7/8" Deep

Strike: 1" Wide x 2-1/8" High x 3/8" Deep

Finishes *Stainless Steel*

Ives Number	US32D
-------------	-------

BHMA	630
------	-----

A
Hinges & Pivots

B
Pulls & Plates

C
Flush Bolts & Coordinators

D9
Latches, Catches & Bolts

E
Stops

F
Exterior Hardware

G
Miscellaneous Hardware

A
Hinges & Pivots

B
Pulls & Plates

C
Flush Bolts & Coordinators

D10
Latches, Catches & Bolts

E
Stops

F
Exterior Hardware

G
Miscellaneous Hardware



Meets ANSI/BHMA A156.16, E19111

RL1152

Roller Latch

- Combination of RL30 Roller Latch and Angle Stop.
- Actuation is simple, closing of the door causes the roller to fall in the depression of the strike, thereby holding the door closed.
- The projection of the roller is easily adjustable using adjusting screws on the face of the unit.
- Maximum projection of the roller is 3/8" allowing for variance in the door clearance.
- Nylon Roller Standard.
- Forged Brass Construction.
- Optional — F — Brass Roller, must be ordered separately.

Dimensions

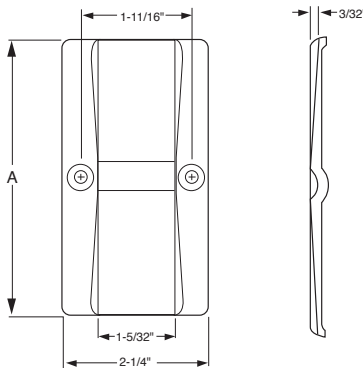
Body: 1-1/2" Wide x 4-1/2" High x 1-3/4" Deep with 3/4" Angle

Strike: 1-1/8" Wide x 2-1/4" High x 5/32" Thick

Finishes

Ives Number	US3	US4	US10	US10B	US26	US26D
BHMA	605	606	612	613	625	626

Optional Strike



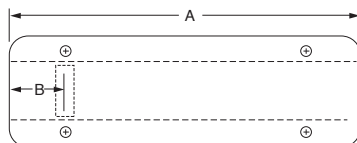
STK685

Strike

- Custom make strike for doors that swing both directions. For use with roller latches.
- Constructed of 3/32" brass.
- Dimple of strike centered on strike.
- Specify frame depth - A. Overall strike length will be A + 3/8" to accommodate 3/16" lip on each side

Finishes

Ives Number	US3	US4	US10	US10B	US26	US26D
BHMA	605	606	612	613	625	626



STK685L

Strike

- Custom make strike for doors that swing both directions. For use with roller latches.
- Constructed of 3/32" brass.
- Location of strike dimple is variable. Please specify frame depth - A and location of dimple from edge of frame - B. Dimple will be located B + 3/16" to accommodate lip.
- Specify frame depth - A. Overall strike length will be A + 3/8" to accommodate 3/16" lip on each side

Finishes

Ives Number	US3	US4	US10	US10B	US26	US26D
BHMA	605	606	612	613	625	626



AS895 Angle Stop

- Surface applied stop for single doors.
- Large rubber bumper to ensure quiet operation.
- Constructed of 1/8" Brass Angle.

Dimensions

1-1/2" Wide x 1" Angle x 2-1/2" Long

Finishes

Ives Number	US3	US4	US10	US10B	US26	US26D
BHMA	605	606	612	613	625	626



AS18 Angle Stop

- Surface applied stop for single and double doors.
- Includes SR64 door silencers to ensure quiet operation. SR64 silencers are replaceable.
- Constructed of 3/16" Brass Angle.

Dimensions

1-1/2" Wide x 3/4" Angle x 3-1/2" Long

Finishes

Ives Number	US3	US4	US10	US10B	US26	US26D
BHMA	605	606	612	613	625	626

Hinges & Pivots

A

Pulls & Plates

B

Flush Bolts & Coordinators

C

Latches, Catches & Bolts

D11

Stops

E

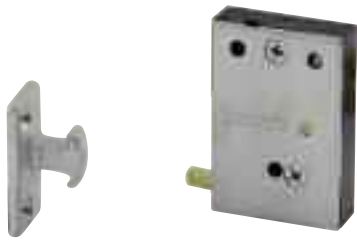
Exterior Hardware

F

Miscellaneous Hardware

G

A
Hinges & Pivots



Meets ANSI/BHMA 156.9, B03272

B
Pulls & Plates

C
Flush Bolts & Coordinators

D12
Latches, Catches & Bolts



Meets ANSI/BHMA A156.9, B03272

E
Stops

F
Exterior Hardware



Meets ANSI/BHMA A156.9, B13282

G
Miscellaneous Hardware

CL11 Invisible Latch

- Invisible latch is ideal for installations where no visible latch is desired.
- Unit can be installed at the top, bottom or side of the door.
- Can be mortised into the stop or surface mounted to the stop.
- Recommended for use on small panels, cabinet doors or light weight closet doors.
- Operation is simple, latching is accomplished by a slight push. To unlatch the door, a harder push releases the door and pushes the door out.
- Brass and plastic construction.
- Applies 13 pounds to open the door.

Dimensions

Body: 1-1/4" Wide x 1-7/8" High x 7/16" Thick

Strike: 9/16" Wide x 1-5/16" High x 9/16" High

Finishes

Ives Number	US3	US4	US10	US26D
BHMA	605	606	612	626

CL12 Invisible Latch

- Invisible latch is ideal for installations where no visible latch is desired.
- Unit can be installed at the top, bottom or side of the door.
- Can be mortised into the stop or surface mounted to the stop.
- Recommended for use on larger panels or regular size doors.
- Operation is simple, latching is accomplished by a slight push. To unlatch the door, a harder push releases the door and pushes the door out.
- Brass and plastic construction.
- Applies 27 pounds to open the door.

Dimensions

Body: 1-1/4" Wide x 2-1/4" High x 9/16" Thick

Strike: 5/8" Wide x 1-13/16" High x 9/16" Projection

Finishes

Ives Number	US3	US4	US10	US26D
BHMA	605	606	612	626

CL14 Auxiliary Pusher

- Aid in the operation of the CL11 and CL12 where hinges or surrounding conditions prevent smooth operation of doors.
- Provides 1-1/16" throw.
- Nylon pusher.
- Brass construction.
- Applies 10 pounds to open the door.

Dimensions

Body: 2-15/16" Long x 1-11/16" Wide x 5/8" Deep

Finishes

Ives Number	US3	US4	US10	US26D
BHMA	605	606	612	626



Meets ANSI/BHMA A156.9

CL21 Ball Catch

- Four-way catch with hexagon stud.
- Ideal for holding medium duty doors.
- The strike slides between two stainless steel balls that are under spring tension. As the strike engages, the door is held tightly shut.
- Strike can enter body from any direction.
- Spring tension is easily adjusted to suit field conditions.
- Body can be surface applied or mortised.
- Brass construction.

Dimensions

Body: 3/4" Wide x 3" High x 3/4" Deep

Strike: 3/4" Wide Hex x 1-1/2" High

Finishes *brass*

Ives Number US26D

BHMA 626



Meets ANSI/BHMA A156.9, B13292

CL21A Ball Catch

- Four-way catch with plate type strike.
- Ideal for closet doors, access doors, hinged openings and numerous other applications.
- The strike slides between two stainless steel balls that are under spring tension. As the strike engages, the door is held tightly shut.
- Strike can enter body from any direction.
- Spring tension is easily adjusted to suit field conditions.
- Body can be surface applied or mortised.
- Brass construction.

Dimensions

Body: 3/4" Wide x 3" High x 3/4" Deep

Strike: 7/16" Wide x 1-3/4" High x 7/8" Deep

Finishes *brass*

Ives Number	US3	US4	US10	US26	US26D
-------------	-----	-----	------	------	-------

BHMA	605	606	612	625	626
------	-----	-----	-----	-----	-----



Meets ANSI/BHMA 156.9, B13302.

CL22 Ball Catch

- Three-way catch with plate type strike.
- Ideal for smaller cabinet doors or panels.
- The strike slides between two stainless steel balls that are under spring tension. As the strike engages, the door is held tightly shut.
- Strike can enter body from either side or front.
- Spring tension is easily adjusted to suit field conditions.
- Body can be surface applied or mortised.
- Brass construction.

Dimensions

Body: 1/2" Wide x 2-3/16" High x 1/2" Deep

Strike: 3/8" Wide x 1-3/8" High x 5/8" Deep

Finishes *brass*

Ives Number	US3	US4	US10	US26	US26D
-------------	-----	-----	------	------	-------

BHMA	605	606	612	625	626
------	-----	-----	-----	-----	-----

A
Hinges & Pivots

B
Pulls & Plates

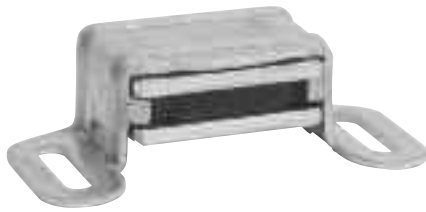
C
Flush Bolts & Coordinators

D13
Latches, Catches & Bolts

E
Stops

F
Exterior Hardware

G
Miscellaneous Hardware



Meets ANSI/BHMA A156.9 B43171.

325

Magnetic Catch

- Double pole.
- Self aligning magnet insures maximum pull.
- Case design allows easy magnet adjustment on cabinet or small door applications.
- Aluminum case.
- Packed with sheet metal screws.
- 5 lbs. Load Capacity

Dimensions

Case: 1-1/8" wide x 2-1/16" Long x 5/8" Thick

Finishes *aluminum*

Ives Number	A3	A92
BHMA	666	673



Meets ANSI/BHMA A156.9 B43161.

326

Mighty-Mite® Heavy Duty Magnetic Catch

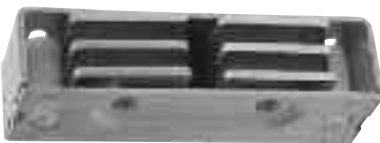
- Dual double pole.
- Self-aligning magnets insure maximum pull.
- Can be surface mounted or mortised.
- Aluminum case.
- Packed with sheet metal screws, 2 short strikes and 1 long strike.
- 9 lbs. Load Capacity

Dimensions

Case: 1" Wide x 3-1/8" Long x 9/16" Thick

Finishes *aluminum*

Ives Number	A3	A92
BHMA	666	673



Meets ANSI/BHMA A156.9 B43161.

327

Super-Mite® Heavy Duty Magnetic Catch

- Dual triple pole.
- Self-aligning magnets insure maximum pull.
- Can be surface mounted or mortised.
- Aluminum case.
- Packed with sheet metal screws, 2 short strikes and 1 long strike.
- 14 lbs. Load Capacity

Dimensions

Case: 1" Wide x 3-1/8" Long x 3/4" Thick

Finishes *aluminum*

Ives Number	A3	A92
BHMA	666	673

A
Hinges & Pivots

B
Pulls & Plates

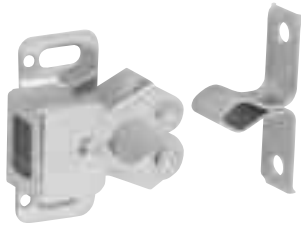
C
Flush Bolts & Coordinators

D14
Latches, Catches & Bolts

E
Stops

F
Exterior Hardware

G
Miscellaneous Hardware



Meets ANSI/BHMA A156.9 B83071.

330 Roller Catch

- Independent rollers allow positive action and self-alignment.
- Cushioned rollers absorb shock and noise, hold door away from cabinet.
- Application allows for easy adjustment.
- Made from wrought steel.
- Packed with screws and brads.

Dimensions

Case: 1-1/4" High x 11/16" Wide
 Strike: 1-1/4" High x 3/8" Wide

Finishes

Ives Number	F2C
BHMA	603



Meets ANSI/BHMA A156.16 L27081 for brass and L87081 for steel.

335 Roller Catch

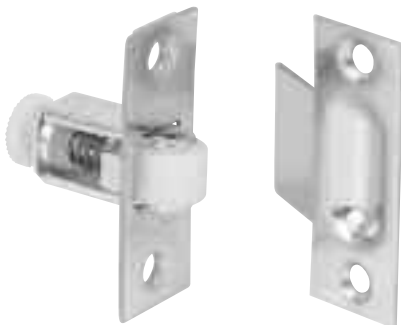
- Smooth, positive latching action insured by powerful conical spring.
- Durable nylon roller insures quiet operation.
- Adjustable tension. Adjustments can be varied from 4 to 17 lbs. of holding power making possible a wide range of door performance.
- Easily installed on thin doors.
- Full lip style strike designed for simplified mortising.
- Made from wrought brass or wrought steel.
- Packed with sheet metal screws.

Dimensions

Face Plate: 7/8" Wide x 2-1/4" High
 Bore: 1-3/4" Deep x 13/16" Diameter
 Strike: 1-5/8" Wide x 2-1/4" High, Lip to center- 1-3/16"

Finishes

Ives Number	B3	B5	B10	B10B	B15	B26	B26D
BHMA	605	609	612	613	619	625	626



Meets ANSI/BHMA A156.16 L27081 for brass and L87801 for steel.

336 Roller Catch

- Smooth, positive latching action insured by powerful conical spring.
- Durable nylon roller insures quiet operation.
- Adjustable tension. Adjustments can be varied from 4 to 17 lbs. of holding power making possible a wide range of door performance.
- Easily installed on thin doors.
- Standard box type strike designed for neat appearance.
- Made from wrought brass or wrought steel.
- Packed with sheet metal screws.

Dimensions

Face Plate: 7/8" Wide x 2-1/4" High
 Bore: 13/16" Diameter x 1-3/4" Deep
 Strike: 7/8" Wide x 2-1/4" High, Lip to center- 1-1/8"

Finishes

Ives Number	B3	B4	B5	B10	B10B	B15	B26	B26D
BHMA	605	606	609	612	613	619	625	626

A Hinges & Pivots

B Pulls & Plates

C Flush Bolts & Coordinators

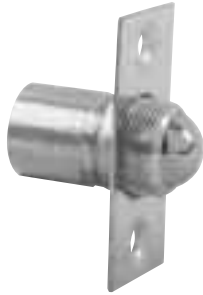
D15 Latches, Catches & Bolts

E Stops

F Exterior Hardware

G Miscellaneous Hardware

A
Hinges & Pivots

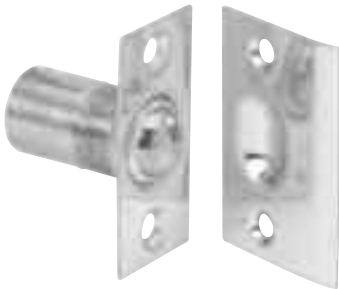


Meets ANSI/BHMA A156.9 B23013.

B
Pulls & Plates

C
Flush Bolts & Coordinators

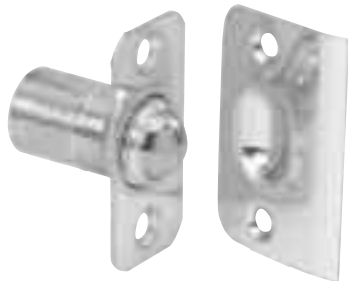
D16
Latches, Catches & Bolts



Meets ANSI/BHMA A156.9 B23013.

E
Stops

F
Exterior Hardware



Meets ANSI/BHMA A156.9 B23013.

G
Miscellaneous Hardware

345 Adjustable Ball Catch

- Ideal for cabinets and small interior doors.
- Free rolling ball insures smooth, positive and trouble-free action.
- Adjustable threaded barrel compensates for various door clearances.
- Adjustable spring tension.
- Made from wrought brass.

Dimensions

Face Plate: 3/4" Wide x 1-1/2" High
 Bore: 1" Deep x 9/16" Diameter
 Strike: 25/32" Wide x 1-1/2" High, Lip to center- 13/32"

Finishes *brass*

Ives Number	B3	B5	B10	B10B	B15	B26	B26D
BHMA	605	609	612	613	619	625	626

347 Dual Adjustable Ball Catch

- For catch in door installations.
- Dual adjustment for door clearance and holding strength.
- Lip strike is designed for use where strike is mounted in jamb.
- Free rolling ball insures smooth, positive and trouble-free action.
- Adjustable threaded barrel compensates for various door clearances.
- Adjustable spring tension.
- Made from wrought brass.

Dimensions

Face Plate: 1" Wide x 2-1/8" High
 Bore: 7/8" Diameter x 1-3/8" Deep
 Strike: 1-3/8" Wide x 2-1/8" High, Lip to center- 7/8"

Finishes *brass*

Ives Number	B3	B4	B5	B10	B10B	B15	B26	B26D
BHMA	605	606	609	612	613	619	625	626

349 Ball Catch

- For catch in door installations.
- Radiused corners allow easy installation with a router.
- Dual adjustment for door clearance and holding strength.
- Lip strike is designed for use where strike is mounted in jamb.
- Free rolling ball insures smooth, positive and trouble-free action.
- Adjustable threaded barrel compensates for various door clearances.
- Adjustable spring tension.
- Made from wrought brass.

Dimensions

Face Plate: 1" Wide x 2-1/8" High
 Bore: 7/8" Diameter x 1-3/8" Deep
 Strike: 1-3/8" Wide x 2-1/8" High, Lip to center- 7/8"

Finishes *brass*

Ives Number	B3	B4	B5	B10	B10B	B15	B26	B26D	B716
BHMA	605	606	609	612	613	619	625	626	

Table Of Contents

	page
Floor Stops	
FS13 Floor Stop	E2
R14 Riser	E2
FS17 Floor Stop	E2
FS18, FS18L Floor Stop	E3
FS436 Floor Stop	E4
FS438 Floor Stop	E4
R435 Riser	E4
R437 Riser	E4
430 Floor Stop	E4
FS441, FS441WS Floor Stop	E5
FS444, FS448 Floor Stop	E5
Floor Stop & Holder	
FS9 Floor Stop & Semi-automatic Holder	E6
FS40, FS41, FS42, FS43 Floor Stop & Automatic Holder	E6
FS446, FS450 Floor Stop & Manual Holder	E7
FS495, FS496, FS497 Floor Stop & Automatic Holder	E8
Wall Bumpers/Stops	
WS11, WS11X Wall Stop	E9
WS20, WS20X Manual Wall Holder	E9
WS33, WS33X Wall Stop	E10
WS65 Wall Stop	E10
WS401, WS402 Wall Bumper	E11
WS404 Wall Bumper	E11
WS406, WS407 Wall Bumper	E12
411R Wall Bumper	E13
WS443, WS447 Wall Stop	E14
WS445, WS449 Manual Wall Holder	E14
Wall Holders	
WS40 Automatic Wall Holder	E15
WS45, WS45X Automatic Wall Holder	E15
Kick Down Holder	
FS452 Kick Down Holder	E16
FS455 Kick Down Holder	E16
FS544, FS555 Kick Down Holder	E17
Plunger Door Holders	
FS1153	E18
FS1154	E18
Roller Bumpers	
RB470, RB471, RB472 Roller Bumper	E19
Residential Door stops	
060, 061 Flexible Door Stop	E20
60, 61 Door Base Stop	E20
63 Flexible Door Stop	E21
64 Door Base Stop	E21
Hinge Pin Stops	
69	E21
70	E22
72Z Residential Door Saver	E22
73Z Commercial Door Saver	E22
Silencers	
SR64, SR65, SR66 Door Silencer	E23



A Hinges & Pivots
 B Pulls & Plates
 C Flush Bolts & Coordinators
 D Latches, Catches & Bolts
E1 Stops
 F Exterior Hardware
 G Miscellaneous Hardware



Meets ANSI/BHMA 156.6, L12141.

FS13 Dome Stop

- Standard FS13 for use where no threshold is used.
- Heavy-Duty Cast Dome Stops constructed of brass.
- Unique riser design of R14 (below) allows easy conversion to threshold application.
- Units are packed with fasteners sufficient for mounting in all types of floor construction, including concrete.
- Replaceable grey rubber bumper.

Dimensions

Overall Height: 1"
 Base Height: 5/32"
 Base Diameter: 1-3/4"

Finishes

Ives Number	US3	US4	US10	US10B	US26	US26D
BHMA	605	606	612	613	625	626

R14 Dome Stop Rise

- Adapts the FS13 Dome Stop to threshold use.
- Brass Die Cast Construction.

Dimensions

Riser Height: 5/16"
 Base Diameter: 1-3/4" round

Finishes

Ives Number	US3	US4	US10	US10B	US26	US26D
BHMA	605	606	612	613	625	626



Meets ANSI/BHMA 156.6, L12161.

FS17 Dome Stop

- One piece dome stop for use with thresholds.
- Heavy-Duty Cast Dome Stops constructed of brass.
- Units are packed with fasteners sufficient for mounting in all types of floor construction, including concrete.
- Replaceable grey rubber bumper.

Dimensions

Overall Height: 1-11/32"
 Base Height: 1/2"
 Base Diameter: 1-3/4" round

Finishes

Ives Number	US3	US4	US10	US10B	US26	US26D
BHMA	605	606	612	613	625	626

A
Hinges & Pivots

B
Pulls & Plates

C
Flush Bolts & Coordinators

D
Latches, Catches & Bolts

E2
Stops

F
Exterior Hardware

G
Miscellaneous Hardware



FS436
Meets ANSI/BHMA 156.16, L12141 for brass or bronze and L32141 for aluminum.



FS438
Meets ANSI/BHMA 156.16, L12141 for brass or bronze and L32141 for aluminum.

FS436 Dome Stop
FS438 Dome Stop

- FS436 for doors without threshold.
 - FS438 for doors with threshold or undercut doors.
 - Heavy-Duty Cast Dome Stops constructed of brass, bronze or aluminum.
 - Packed with wood screw and plastic anchor.
- Replaceable gray, non-marring rubber bumper.

Dimensions

FS436

Overall Height: 1"
Base Height: 3/16"
Base Diameter: 1-3/4" x 2" Oval

FS438

Overall Height: 1-3/8"
Base Height: 9/16"
Base Diameter: 1-3/4" x 2" Oval

Finishes *brass*

Ives Number	US3	US4	US5	US10	US10B	US15	US620*	US26	US26D	B716
BHMA	605	606	609	612	613	619	620	625	626	

* only available for FS436 in slim pack of 15 per box.

Finishes *aluminum*

Ives Number	US28
BHMA	628

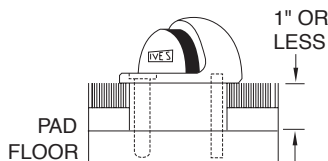
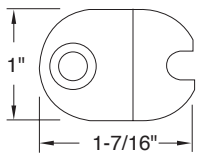


R435 Riser for FS436 Dome Stop
R437 Riser for FS438 Dome Stop

- Extruded aluminum, mill finish.
- R435 for conversion of FS436 Dome Stop to carpet installation.
- R437 For conversion of FS438 Dome Stop to carpet installation.
- Packed with wood screws, lead shield and stud. Specify Tampin (TPN) if required.

Dimensions

Available in 1/4", 3/8", 1/2", 5/8", 3/4" and 1" height.



A Hinges & Pivots
B Pulls & Plates
C Flush Bolts & Coordinators
D Latches, Catches & Bolts
E3 Stops
F Exterior Hardware
G Miscellaneous Hardware

A
Hinges & Pivots

B
Pulls & Plates

C
Flush Bolts & Coordinators

D
Latches, Catches & Bolts

E4
Stops

F
Exterior Hardware

G
Miscellaneous Hardware



FS18S FS18L Floor Stops

- Security Door Stops designed for use in high vandalism areas.
- Molded from black flame resistant, resilient material around a heavy-duty stud.
- Once grouted in concrete, leaves no exposed fasteners to be tampered with or removed.
- Ideal for jail or security cell areas where floor mounted stops are required.
- FS18L also ideal for concrete wall applications.

Dimensions

FS18S Height: 1-1/2"	FS18L Height: 3-1/2"
FS18S Diameter: 2"	FS18L Diameter: 2"
FS18S Stud Length: 2-1/2"	FS18L Stud Length: 2-1/2"

FS434 Floor Stop

- Burnished wrought steel.
- For undercut doors up to 1-1/2".
- Packed with screws and plastic anchors.
- Replaceable soft, resilient gray rubber.



Dimensions

Overall Height: 2-5/8"
Base Size: 1-1/2" W x 2-3/4" L

Finishes

Ives Number	USC
BHMA	604

430 Floor Door Stop

- Burnished wrought steel.
- For undercut doors up to 1-1/2".
- Packed with screws and plastic anchors.
- Replaceable soft, resilient gray rubber.



Dimensions

Overall Height: 1-5/16"
Base Diameter: 1-1/4"

Finishes *brass*

Ives Number	B3	B4	B5	B10B	B15	B26	B26D
BHMA	605	606	609	613	619	625	626

Finishes *aluminum*

Ives Number	A3*	A5	A14	A92
BHMA	666		669	673

* only available in Slim-Pak of 25



Meets ANSI/BHMA 156.16, L12131 for brass

FS441 Floor Stop

- Accommodates door undercut up to 1-1/2".
- Designed to blend well with all types of construction and provide a minimum of hindrance to cleaning efforts.
- Heavy-Duty cast brass or aluminum construction.
- Replaceable Non-marring rubber bumper.

FS441 packed with expansion shield and tampin for masonry type mounting, and wood screws for drywall mounting.

Dimensions

Overall Height: 2-1/8"
 Overall Length: 2-7/8"
 Base Depth: 1-5/8"

Finishes *brass*

Ives Number	US3	US4	US5	US10	US10B	US15	US26	US26D
BHMA	605	606	609	612	613	619	625	626



FS444
 Meets ANSI/BHMA 156.16, L12131 for brass

FS448
 Meets ANSI/BHMA 156.16,
 L12121 for brass and L32121 for aluminum

FS444 Floor Stop
FS448 Floor Stop

- Ideal for interior or exterior use.
- Cast brass construction.
- Accommodates door undercut up to 2-1/2".
- Replaceable Non-marring rubber tip.

FS444 is packed with expansion shield and lead shield, for masonry type mounting.
 FS448 is packed with wood screws, for drywall mounting.

Dimensions

Overall Height: 3"
 Base Diameter: 2-1/2"

Finishes *brass*

Ives Number	US3	US4	US5*	US10	US10B	US15	US26	US26D
BHMA	605	606	609	612	613	619	625	626

Finishes *aluminum*

Ives Number	US28*
BHMA	628

* not available on FS444

A
Hinges & Pivots

B
Pulls & Plates

C
Flush Bolts & Coordinators

D
Latches, Catches & Bolts

E5
Stops

F
Exterior Hardware

G
Miscellaneous Hardware

A
Hinges & Pivots



Meets ANSI/BHMA 156.16, L11241.

B
Pulls & Plates

C
Flush Bolts & Coordinators

D
Latches, Catches & Bolts



Meets ANSI/BHMA 156.16, L11301

E6
Stops

F
Exterior Hardware

G
Miscellaneous Hardware

FS9 Floor Stop & Semi-Automatic Holder

- Semi-automatic floor-mounted holders accommodates with door to floor clearance of 1-1/2" or less.
- Cast from heavy-duty brass.
- Activate holder by flipping the engagement tongue forward. When door is opened, the hook (mounted on door) engages the tongue. To release, push firmly on door to disengage tongue.
- Universal screw pack accommodates all types of floor and door construction.

Dimensions

Overall Height: 3-1/2"

Base Dimensions: 2" wide x 3-1/2" long

Finishes

Ives Number	US3	US4	US10	US10B	US26	US26D
BHMA	605	606	612	613	625	626

FS40 Floor Stop & Automatic Holder

FS41

FS42

FS43

- Automatic door holders ideal for heavy-traffic situations that require a simple, fool-proof, Hold-Open device.
- Forged from brass.
- Unit is activated automatically when door is opened. A firm pull on door releases the mechanism.
- Strikes accommodate different door to floor clearances.
- Model numbers are determined by strike/door-to-floor clearances.
- Holder position on door is adjustable.
- Universal screw pack allows for installation in all types of door construction.

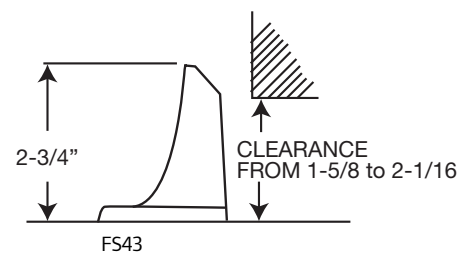
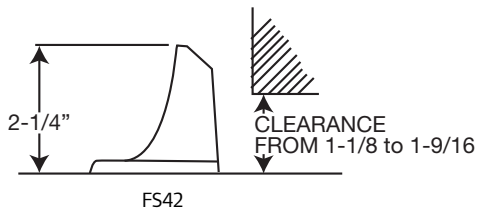
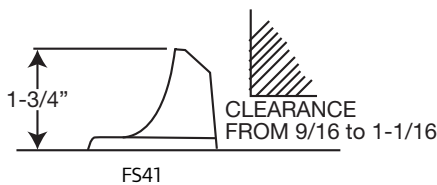
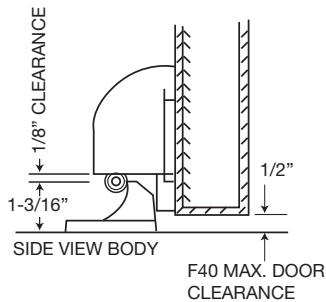
Dimensions

Door to Floor Clearance:	FS40	1/2" or less
	FS41	9/16" to 1-1/16"
	FS42	1-1/8" to 1-9/16"
	FS43	1-5/8" to 2-1/16"

Holder Dimensions: 3" Wide x 3-11/16" High

Finishes *brass*

Ives Number	US3	US4	US10	US10B	US26	US26D
BHMA	605	606	612	613	625	626





FS446
Meets ANSI/BHMA 156.16, L11371 for brass
and L31371 for aluminum.

FS450
Meets ANSI/BHMA 156.16, L11361 for brass
and L31371 for aluminum.

FS446 Floor Stop & Manual Door Holder
FS450 Floor Stop & Manual Door Holder

- Manual type floor holder ideal for interior or exterior use.
- Cast brass or aluminum construction.
- Accommodates door undercut up to 2-1/2".
- Replaceable non-marring rubber tip.
- Unit functions as a stop but serves as a Hold-Open device when hook is manually engaged in strike. Unit requires manual disengagement to release Hold-Open.

FS446 packed with expansion shield and lead shield, for masonry type mounting
FS450 packed with 3 wood screws, for drywall mounting.

Dimensions

Overall Height: 3-3/4"

Height from Floor to Stop Center Line: 2-5/8"

Stop Diameter: 1-1/16"

Base Diameter: 2-1/12"

Finishes *brass*

Ives Number	US3	US4	US10	US10B	US15	US26	US26D
BHMA	605	606	612	613	619	625	626

Finishes *aluminum*

Ives Number	US28
BHMA	628

A
Hinges & Pivots

B
Pulls & Plates

C
Flush Bolts & Coordinators

D
Latches, Catches & Bolts

E7
Stops

F
Exterior Hardware

G
Miscellaneous Hardware

A
Hinges & Pivots



FS495 shown

FS495 Meets ANSI/BHMA 156.16, L11291 for brass
 FS496 Meets ANSI/BHMA 156.16, L11301 for brass
 FS497 Meets ANSI/BHMA 156.16, L11301 for brass

B
Pulls & Plates

C
Flush Bolts & Coordinators

D
Latches, Catches & Bolts

E8
Stops

F
Exterior Hardware

G
Miscellaneous Hardware

FS495 Wall Stop & Automatic Holder
FS496 Floor Stop & Automatic Holder
FS497 Floor Stop & Automatic Holder

- Automatic door holders ideal for heavy-traffic situations that require a simple, Hold-Open device.
- Cast brass construction.
- Recommended installation is holder on door and strike on wall.
- Holder position on door is adjustable.
- Holder is tapered to prevent “child riding.”

Dimensions

- FS495 Holds door 3-3/4" from wall.
 FS496 Door to Floor Clearances 3/8" Maximum.
 FS497 Door to Floor Clearances 1" Maximum.

Finishes *brass*

Ives Number	US3	US4*	US10	US10B	US26	US26D
BHMA	605	606	612	613	625	626

* not available on FS496, FS497.



WS11
Meets ANSI/BHMA 156.16, L12011

WS11X
Meets ANSI/BHMA 156.16, L12021

**WS11
WS11X Wall Stops**

- Constructed in heavy duty cast brass.
- Hexagon section on unit aids in fastening unit when expansion shield is used.
- Replaceable rubber bumpers features off-set shoulder and threaded shank that screws into body of unit.

WS11 is furnished with wood screws for drywall mounting.
WS11X is furnished with a threaded stud and expansion shield for masonry type mounting.

Dimensions

Base Diameter: 2"

Overall Projection: 3-3/4"

Finishes *brass*

Ives Number	US3	US4	US10	US10B	US26	US26D
BHMA	605	606	612	613	625	626



WS20
Meets ANSI/BHMA 156.16, L11341 for brass
and L32341 for aluminum

WS20X
Meets ANSI/BHMA 156.16, L11351 for brass
and L31351 for aluminum

**WS20
WS20X Manual Wall Holders**

- Constructed in cast brass or aluminum.
- Replaceable rubber bumpers feature off-set shoulder and threaded shank that screws into body of holder.
- Hinged strike furnished matches body material and finish.

WS20 is furnished wood screws for drywall mounting.
WS20X is furnished with threaded stud and expansion shield for masonry type mounting.

Dimensions

Base Diameter: 2-3/8"

Overall Projection: 4"

Strike Height: 2"

Strike Width: 1"

Finishes *brass*

Ives Number	US3	US4	US10	US10B	US26	US26D
BHMA	605	606	612	613	625	626

Finishes *aluminum*

Ives Number	US28
BHMA	628

A
Hinges & Pivots

B
Pulls & Plates

C
Flush Bolts & Coordinators

D
Latches, Catches & Bolts

E9
Stops

F
Exterior Hardware

G
Miscellaneous Hardware

A
Hinges & Pivots



WS33
Meets ANSI/BHMA 156.16, L12011

WS33X
Meets ANSI/BHMA 156.16, L12021

B
Pulls & Plates

C
Flush Bolts & Coordinators

D
Latches, Catches & Bolts

E10
Stops

F
Exterior Hardware

G
Miscellaneous Hardware

WS33 WS33X Wall Stops

- Constructed in a durable cast brass.
- Replaceable rubber bumper with offset shoulder screws into cavity on body to prevent loss or theft.
- Sloping design discourages vandalism

WS33 is furnished with wood screws for drywall mounting.
WS33X is furnished with a threaded stud and expansion shield for masonry type mounting.

Dimensions

Base Diameter: 2-1/4" wide x 3" High

Overall Projection: 3-3/4"

Finishes *brass*

US Number	US26D
BHMA	626



WS65 Wall Stop

- Burnished cast aluminum.
- Replaceable non-marring white rubber bumper.
- Packed with sheet metal screws.

Dimensions

Base Diameter: 1-5/8"

Overall Projection: 3-3/4"

Finishes *aluminum*

Ives Number	US3	US10	US10B	US27
BHMA	666	668	703	673



WS401CCV & WS402CCV
Meets ANSI/BHMA 156.16 L12251 for brass

WS401CVX & WS402CVX
Meets ANSI/BHMA 156.16 L12101 for brass

WS401CVX Wall Bumpers
WS401CCV
WS402CVX
WS402CCV

- Constructed in heavy-duty cast brass.
- Special retainer cup makes rubber tamper resistant.

WS401CVX (401) – convex rubber bumper, packed with wood screw and plastic anchor.

WS401CCV (401-1/2) – concave rubber bumper which avoids damage to locks with projecting buttons, packed with wood screw and plastic anchor.

WS402CVX (402) – convex rubber bumper packed with screw and drywall anchor.

WS402CCV (402-1/2) – concave rubber bumper which avoids damage to locks with projecting buttons and is packed with screw and drywall anchor.

Dimensions

Base Diameter: 2-1/2"

Base Thickness: 3/8"

Overall Projection: 1"

Finishes

Ives Number	US3	US4	US10	US10B	US15	US26	US26D
BHMA	605	606	612	613	619	625	626



WS404CVX Wall Bumpers

- Compact size.
- Constructed in cast brass.
- Totally concealed mounting discourages vandalism or tampering.
- Unit furnished with grey convex rubber bumper.
- Packed with sheet metal screw, rawl plug and brad.

Dimensions

Base Diameter: 1"

Overall Projection: 17/32"

Finishes

Ives Number	US3	US4	US5	US10	US10B	US15	US26	US26D
BHMA	605	606	609	612	613	619	625	626

A
Hinges & Pivots

B
Pulls & Plates

C
Flush Bolts & Coordinators

D
Latches, Catches & Bolts

E11
Stops

F
Exterior Hardware

G
Miscellaneous Hardware



WS406CVX Wall Bumpers
WS406CCV
WS407CVX
WS407CCV

WS406CVX & WS407CVX
 Meets ANSI/BHMA 156.16 L22201 for brass,
 and L52101 for stainless steel.

WS406CCV & WS407CCV
 Meets ANSI/BHMA 156.16 L22251 for brass
 and L52251 for stainless steel.

- Constructed in sturdy yet economical wrought base of brass or stainless steel construction.
- Feature concealed tamper-proof mounting.
- Shipped factory preassembled backplate to reduce installation cost.
- Easy installation by inserting screwdriver through small hole in rubber.

WS406CVX (406) – convex rubber bumper, packed with wood screw and plastic anchor.

WS406CCV (406-1/2) – concave rubber bumper, which avoids damage to locks with projecting buttons, packed with wood screw and plastic anchor.

WS407CVX (407) – convex rubber bumper packed with screw and drywall anchor.

WS407CCV (407-1/2) – concave rubber bumper which avoids damage to locks with projecting buttons and is packed with screw and drywall anchor.

Dimensions

Base Diameter: 2-1/2"

Base Thickness: 3/8"

Overall Projection: 1"

Finishes brass

Ives Number	US3	US4	US5*	US10	US10B	US15	US15A**	US26	US26D	B716**
BHMA	605	606	609*	612	613	619	620	625	626	

Finishes stainless steel

Ives Number	US32D
BHMA	630

* only available on WS407CVX Slim-Pak of 15

** available on WS407CCV or WS407CVX Slim-Pak of 15

A
Hinges & Pivots

B
Pulls & Plates

C
Flush Bolts & Coordinators

D
Latches, Catches & Bolts

E12
Stops

F
Exterior Hardware

G
Miscellaneous Hardware



411R-W Wall Bumper

- Adhesive-backed wall door stop for use on clean, smooth, flat surfaces only.
- Non-marring white rubber.
- Concave design permits knob to strike stop without damaging or engaging lock mechanism.

Dimensions

Base Diameter: 1-7/8"

Base Thickness: 3/8"

Overall Projection: 1-1/16"

A
Hinges & Pivots

B
Pulls & Plates

C
Flush Bolts & Coordinators

D
Latches, Catches & Bolts

E13
Stops

F
Exterior Hardware

G
Miscellaneous Hardware

A
Hinges & Pivots



WS443
Meets ANSI/BHMA 156.16, L12021 for brass and L32021 for aluminum.

B
Pulls & Plates

C
Flush Bolts & Coordinators

D
Latches, Catches & Bolts

E14
Stops

F
Exterior Hardware

G
Miscellaneous Hardware

WS443

WS447 Wall Stop

- Constructed in brass.
- Ideal for interior or exterior use.
- Replaceable non-marring rubber tip.

WS443 is packed with expansion shield and lead shield for masonry type mounting.
WS447 is packed with wood screws for drywall mounting.

Dimensions

Base Diameter: 2-1/4"

Overall Projection: 3-11/16"

Finishes *brass*

Ives Number	US3	US4	US10	US10B	US15	US26	US26D
BHMA	605	606	612	613	619	625	626

WS445

WS449 Manual Wall Holder

- Constructed in cast of brass or aluminum.
- Unit functions as a stop but serves as a Hold-Open device when hook is manually engaged in strike.
- Unit requires manual disengagement to release Hold-Open.
- Replaceable resilient, non-marring rubber tip.

WS445 is packed with expansion shield and lead shield for masonry type mounting.
WS449 is packed with wood screws for drywall mounting.

Dimensions

Base Diameter: 2-1/4"

Base Projection: 3-11/16"

Engaged Projection: 5-3/4"

Strike Height: 1-1/2"

Strike Width: 13/16"

Strike Projection: 13/16"

Finishes *brass*

Ives Number	US3	US4	US10	US10B	US15	US26	US26D
BHMA	605	606	612	613	619	625	626

Finishes *aluminum*

Ives Number	US28*
BHMA	628

* only available on WS449



Meets ANSI/BHMA 156.16, L11291 for brass and L31291 for aluminum.

WS40 Automatic Wall Holder

- Constructed of sturdy cast brass, or aluminum.
- Holder is mounted on wall and strike is mounted on door.
- Roller on holder rides up seats itself on strike, with a heavy duty bumper pad deadening the sound and shock.
- Universal screw pack accommodates all types wall construction.

Dimensions

Base Height: 2"	Strike Height: 2-1/16"
Base Width: 2-1/2"	Strike Width: 3/4"
Base Projection: 2-1/4"	Strike Projection: 2"
Engaged Projection: 3-1/2"	

Finishes *brass*

Ives Number	US3	US4	US10	US10B	US26	US26D
BHMA	605	606	612	613	625	626

Finishes *aluminum*

Ives Number	US28
BHMA	628



WS45
Meets ANSI/BHMA 156.16, L11291 for brass and L31291 for aluminum.

WS45 WS45X Automatic Wall Holder

- Constructed of cast brass, bronze or aluminum.
- Spring loaded roller rides up the face of the strike, seating itself on the strike, holding the door firmly in the open position.
- A heavy rubber pad cushions the shock and absorbs the sound.
- With unit mounted on door and the strike on wall, vertical adjustment is available on body.
- The strike is adjustable 45 degrees left or right, both adjustments easily accomplished at time of installation or at a later date.

WS45 strike is furnished with wood screws for drywall mounting.

WS45X strike is furnished with a threaded stud and expansion shield for masonry type mounting.

Dimensions

Base Height: 3-11/16"	Strike Diameter: 2-3/8"
Base Width: 3"	Strike Projection: 3"
Base Projection: 2"	
Engaged Projection: 3-7/16"	

Finishes *brass*

Ives Number	US3	US4	US10	US10B	US26	US26D
BHMA	605	606	612	613	625	626

Finishes *aluminum*

Ives Number	US28
BHMA	628

Hinges & Pivots
A

Pulls & Plates
B

Flush Bolts & Coordinators
C

Latches, Catches & Bolts
D

E15
Stops

Exterior Hardware
F

Miscellaneous Hardware
G

A
Hinges & Pivots



B
Pulls & Plates

C
Flush Bolts & Coordinators

Meets ANSI/BHMA 156.16, L11383 for brass and L31383 for aluminum.

D
Latches, Catches & Bolts

E16
Stops



F
Exterior Hardware

Meets ANSI/BHMA 156.16, L11382 for brass and L31382 for aluminum.

G
Miscellaneous Hardware

FS452 Kick Down Holder

- Units provide simple hold and release, activated with a touch of the foot.
- Cast brass or aluminum construction.
- Stainless steel spring.
- Replaceable non-marring rubber shoes have corrugated bottoms to provide secure grip.
- Shoes are easily replaced when worn. Shoe held on with screw.
- Packed with sheet metal screws.

FS452-4 has a door-to-floor clearance of 2" or less.
FS452-5 has a door-to-floor clearance up to 3".

Dimensions

FS452-4 Door-to-Floor Clearance: 2" or less

FS452-5 Door-to-Floor Clearance: Up to 3"

FS452-4 Plate Height: 2-1/8"

FS452-5 Plate Height: 2-1/8"

FS452-4 Plate Width: 1"

FS452-5 Plate Width: 1"

Finishes *brass*

Ives Number	US3	US4	US10	US10B	US15	US26	US26D
BHMA	605	606	612	613	619	625	626

Finishes *aluminum*

Ives Number	US28*
BHMA	628

* available in 4" only

FS455 Kick Down Holder

- Units provide simple hold and release, activated with a touch of the foot.
- Cast brass or aluminum construction.
- Replaceable non-marring rubber shoes have corrugated bottoms to provide secure grip. When worn, shoes are easily replaced. Shoe held on with screws.
- Door-to-floor clearances of 2" or less.

Dimensions

Door-to-Floor Clearance: 2" or less

Plate Height: 1-3/4"

Plate Width: 1-3/4"

Finishes *brass*

Ives Number	US3	US4	US5	US10	US10B	US15	US26	US26D
BHMA	605	606	609	612	613	619	625	626

Finishes *aluminum*

Ives Number	US3AL	US5AL	US10AL	US27
BHMA	666	609	668	673



FS544
Meets ANSI/BHMA 156.16, L11381

FS555
Meets ANSI/BHMA 156.16, L11391

FS544 FS555 Kick Down Holder

- Units provide an economical method to hold open doors.
- Cast of durable iron.
- Non-marring rubber shoes have corrugated bottoms to provide secure grip. Rubber shoe is securely fastened with screw. When worn, shoes are easily replaced.

FS544 for door-to-floor clearances of 2" or less
FS555 for door-to-floor clearances up to 3".

Dimensions

FS544

Door-to-Floor Clearance: 2" or less
Plate Height: 2-1/4"
Plate Width: 1-7/16"

FS555

Door-to-Floor Clearance: Up to 3"
Plate Height: 2-1/4"
Plate Width: 1-7/16"

Finishes

Ives Number	SP4	SP10	SP28	SP313	SPBLK
BHMA	706	691	689	695	622

Hinges & Pivots
A

Pulls & Plates
B

Flush Bolts & Coordinators
C

Latches, Catches & Bolts
D

E17
Stops

Exterior Hardware
F

Miscellaneous Hardware
G

A
Hinges & Pivots



Meets ANSI/BHMA 156.16, L31401.

B
Pulls & Plates

C
Flush Bolts & Coordinators

D
Latches, Catches & Bolts

E18
Stops

F
Exterior Hardware

G
Miscellaneous Hardware

FS1153 Plunger Type Door Holder

- Provides a contemporary yet economical method of positive Hold-Open.
- Constructed in sturdy cast aluminum.
- Spring operated plunger activates with minimal pressure, releasing instantly with a light tap on the plat-form lever.
- Provides a 1-5/8" throw for all types of doors.
- Ribbed non-marring rubber shoe is securely fastened to unit with a screw and is easily replaced when worn.

Dimensions

Height: 6-1/4"

Width: 1-1/2"

Depth: 1-7/16"

Finishes

Ives Number	US28
-------------	------

BHMA	628
------	-----



Meets ANSI/BHMA 156.16, L11401.

FS1154 Plunger Type Door Holder

- Constructed from heavy-duty cast brass or bronze.
- Plunger and internal parts are plated steel and provides a 1-1/4" throw for all types of doors.
- Plunger is easily activated with minimal pressure, releasing instantly with a light tap on the platform lever.
- Round non-marring rubber shoe is securely fastened with a screw in flanged cup to prevent movement or loss. When worn, shoes are easily replaced.

Dimensions

Height: 5-1/2"

Width: 2"

Depth: 1-1/4"

Finishes

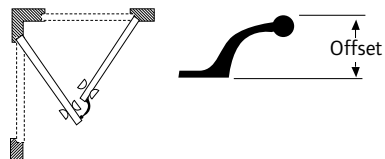
Ives Number	US3	US4	US10	US10B	US26	US26D
-------------	-----	-----	------	-------	------	-------

BHMA	605	606	612	613	625	626
------	-----	-----	-----	-----	-----	-----



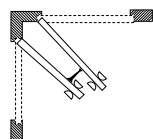
FS470

Meets ANSI/BHMA 156.16, L12212



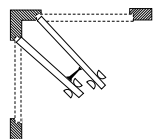
FS471

Meets ANSI/BHMA 156.16, L12192



FS472

Meets ANSI/BHMA 156.16, L12202



RB470 RB471 RB472 Roller Bumpers

- Constructed in heavy-duty cast brass.
- RB470 used where two doors open against each other to prevent damage to the doors or hardware.
- RB471 and RB472 are ideal for use in situations where doors meet each other at approximate right angles (back to back).
- Replaceable rubber roller available.

Dimensions

RB470 Base Size: 1-11/16" x 2-1/4"

RB470 Arm Offset: 2-3/4"

RB470 Length: 5"

RB471 Base Diameter: 2"

RB471 Length: 4-1/2"

RB472 Base Diameter: 2"

RB472 Length: 6"

Finishes

Ives Number	US3	US4**	US10*	US10B*	US15*	US26	US26D
BHMA	605	606**	612*	613*	619*	625	626

* only available on RB472

** only available on RB471 and RB472

A
Hinges & Pivots

B
Pulls & Plates

C
Flush Bolts & Coordinators

D
Latches, Catches & Bolts

E19
Stops

F
Exterior Hardware

G
Miscellaneous Hardware

A
Hinges & Pivots



Meets ANSI/BHMA A156.16

060 Flexible Door Stops

061

- Utilizes heavy gauge spring to maintain rigid protections
- Simple to install - only a screwdriver required
- Made from burnished wrought steel
- Packed disassembled for quick installation

Replaceable white rubber tip available

B
Pulls & Plates

Dimensions

Base Diameter: 1"
Tip Diameter: 19/16"
060 3" Projection
061 4" Projection

Finishes *steel*

Ives Finish	F3	F5	F10	F10B	F14	F15*	F26D	F-W**
BHMA	632	638	639	640	645	646	652	

* only available on 060

** only available on 061

C
Flush Bolts & Coordinators

D
Latches, Catches & Bolts



60 Base Door Stops

61

- Available in three sizes to accommodate varying areas of installation and door trim dimensions
- Made from solid brass or aluminum
- 61 also available in epoxy colored aluminum

Replaceable white rubber tip available

Dimensions

60 3-3/4" Projection, Base Diameter: 1"
61 3-1/8" Projection on brass units, 3-3/16" Projection on aluminum units, Base Diameter: 7/8"
Tip Diameter: 5/8"

Finishes *brass*

Ives Finish	B3	B4	B5	B10	B10B	B15	B15A*	B26	B26D	B716**
BHMA	605	606	609	612	613	619	620	625	626	

Finishes *aluminum*

Ives Finish	A3	A5*	A10*	A10B	A14	A15*	A19*	A92	A716*	A-BLK	A-W*
BHMA	666		668	703	669	670	A19	673			

Finishes *zinc*

Ives Finish	Z605*	Z619*	Z716*
BHMA			

* only available on 61

** only available on 61 Schlage Carded or slim package of 15

E20
Stops

F
Exterior Hardware

G
Miscellaneous Hardware



63 Flexible Door Stops

- Utilizes heavy gauge spring to maintain rigid protections
- Simple to install - only a screwdriver required
- Made from burnished wrought steel
- Packed disassembled for quick installation

Replaceable white rubber tip available

Dimensions

Base Diameter: 1"
Tip Diameter: 9/16"
Projection: 3"

Finishes *steel*

Ives Finish	F605E	F609E	F619E	F716	F-W
BHMA	632	638	646		



64 Base Door Stop

- Base Door Stop features deluxe one-piece styling
- Easily screws into base
- Designed with square head to accommodate wrench or pliers when installing
- Made from solid brass or aluminum

Replaceable white rubber tip available

Dimensions

Base Diameter: 1"
Tip Diameter: 9/16"
Projection: 3-1/4"

Finishes *brass*

Ives Finish	B3	B4	B5	B10	B10B	B15	B26	B26D
BHMA	605	606	609	612	613	619	625	626

Finishes *aluminum*

Ives Finish	A3	A10B	A92
BHMA	666	703	673

69 Hinge Pin Door Stops

- For use on hinged doors where the installation of a standard door stop is not desirable
- Positive slip proof adjustment
- Non-marring rubber tips
- Removable bushings accommodate 1/4" to 5/16" diameter hinge pins
- Easy installation—only a screwdriver required
- Made from burnished wrought steel

Replaceable white rubber tip available



Door Opening

70° to 100° Door Opening Adjustments

Finishes *steel*

Ives Finish	F3	F5	F10	F10B	F14	F15	F15A	F26	F26D
BHMA	632	638	639	640	645	646	647	651	652

A
Hinges & Pivots

B
Pulls & Plates

C
Flush Bolts & Coordinators

D
Latches, Catches & Bolts

E21
Stops

F
Exterior Hardware

G
Miscellaneous Hardware

A Hinges & Pivots
 B Pulls & Plates
 C Flush Bolts & Coordinators
 D Latches, Catches & Bolts
 E22 Stops
 F Exterior Hardware
 G Miscellaneous Hardware



70 Hinge Pin Door Stops

- For use on hinged doors where the installation of a standard door stop is not desirable
 - Designed for narrow trim installation
 - High quality rubber bumpers - shoulder on stud supports rubber through entire body for engineered cushioning
 - Removable bushings accommodate 1/4" to 5/16" diameter hinge pins
 - Easy installation
 - Made from solid brass, aluminum, or epoxy coated aluminum
- Replaceable white rubber tip available

Door Opening

85° to 125° Door Opening Adjustments

Finishes brass

Ives Finish	B3	B4	B5	B10	B10B	B15	B15A*	B19	B26	B26D	B716*
BHMA	605	606	609	612	613	619	620	622	625	626	

Finishes aluminum

Ives Finish	A3	A4	A5	A10	A10B	A14	A15	A92	A716	A-W	A-BLK
BHMA	666	667		668	716	669	670	673			

Finishes zinc

Ives Finish	Z605E	Z406E**	Z619E**	Z716E							
BHMA											

* only available in Schlage Carded or Slim-Pak of 25
 ** only available in Schlage Carded



Door Saver

72 Hinge Pin Door Stops

- For use on hinged doors where the installation of a standard door stop is not desirable
- Designed for narrow trim installation
- High quality rubber bumpers - shoulder on stud supports rubber through entire body for engineered cushioning
- Removable bushings accommodate 1/4" to 5/16" diameter hinge pins
- Easy installation
- Made from solid brass, aluminum, or epoxy coated aluminum

Door Opening

85° to 125° Door Opening Adjustments

Finishes zinc

Ives Finish	Z605E	Z609E	Z613E	Z619E	Z625E	Z-W
BHMA						



Door Saver

73 Hinge Pin Door Stops

- For use on hinged doors where the installation of a standard door stop is not desirable
- Designed for narrow trim installation
- High quality rubber bumpers - shoulder on stud supports rubber through entire body for engineered cushioning
- Removable bushings accommodate 1/4" to 5/16" diameter hinge pins
- Easy installation
- Made from solid brass, aluminum, or epoxy coated aluminum

Door Opening

85° to 125° Door Opening Adjustments

Finishes zinc

Ives Finish	Z605E	Z613E	Z619E	Z625E
BHMA				

Meets ANSI/BHMA 156.6, L12141 for brass or bronze and L32141 for aluminum.



Meets ANSI/BHMA 156.16, L03011.

SR64 Door Silencer

- For use on metal frames featuring pneumatic design that, once installed, forms an air pocket to absorb shock and reduce noise of door closing.
- Tamper-proof once installed on the frame.
- Proper installation also eliminates door rattle and provides constant tension for door latches or locks.

Packed in bags of 100.
 Grey Available in bulk pack of 2500.
 Each bag has an installation tool included.

Dimensions

Diameter: 1/2"
 Thickness: 1/8"

Finishes

GRY, TAN



Meets ANSI/BHMA 156.16, L03021

SR65 Door Silencer

- For use on wood frames, also feature pneumatic design to cushion shock and absorb noise.
- To prevent removal, a small brad should be driven into stop strip and through stem of silencer, as shown in the detail.

Packed in bags of 100.

Dimensions

Height: 3/4"
 Diameter: 3/8"
 Thickness: 1/8"

Finishes

GRY



SR66 Door Silencer

- Self Adhesive Rubber Silencers.
- Economical installation requires no drilling of frames.

Packed two sheets of 50 (100 minimum).

Dimensions

Diameter: 1/2"
 Thickness: 1/8"

Finishes

BRN, GRY, WHT

A
Hinges & Pivots

B
Pulls & Plates

C
Flush Bolts & Coordinators

D
Latches, Catches & Bolts

E23
Stops

F
Exterior Hardware

G
Miscellaneous Hardware

A Hinges & Pivots
B Pulls & Plates
C Flush Bolts & Coordinators
D Latches, Catches & Bolts
E24 Stops
F Exterior Hardware
G Miscellaneous Hardware

Table Of Contents

Lock Guards	page
LG1, LG7 Lock GuardF2
LG10 Lock GuardF2
LG11 Lock GuardF3
LG12 Lock GuardF3
LG13 Lock GuardF4
LG14 Lock GuardF4
Viewers	
U696 One-way ViewerF5
698, U698 One-way ViewerF5
700, U700 One-way ViewerF6
701, U701 One-way ViewerF6
Door Knockers	
3107 Door KnockerF7
3125 Door KnockerF7
Letter Box	
620 Letter Box PlateF8
601 Letter Box SleeveF8
Door Numbers	
02-30 Door NumbersF9
Storm and Screen Door	
980 Storm Door LatchF9
25 Screen Door PullF10
Crash Stop	
CS115 Crash StopF10



A	Hinges & Pivots
B	Pulls & Plates
C	Flush Bolts & Coordinators
D	Latches, Catches & Bolts
E	Stops
F2	Exterior Hardware
G	Miscellaneous Hardware



LG1 Lock Guard

- Units are non-handed and incorporate security frame pin to prevent separation of the door and frame. LG7 does not incorporate the security frame pin
- Unit covers the latch bolt area of the door and lock, thereby providing added protection from burglars, vandals or normal abuse.
- Ideal for use with mortise or cylindrical locks.
- Easy installation.
- Through bolted with carriage bolts and nuts.
- Available in a variety of materials, 13 gauge stainless steel, 12 gauge steel and brass material.

Dimensions

3" Wide x 11-1/2" High
 Bolt center to center: 10-1/2"

Finishes

Ives Number	USP*	US2G*	US4*	US10*	US32D	SP313*
BHMA	600	603	606	612	630	695

* not available on LP7



LG10 Lock Guard

- Ideally suited for use with rose or escutcheon 2-3/4" wide or less.
- For use with Type 86 Mortise and Type 161 Cylindrical Locks (ANSI 156.13 Series 1000 and ANSI 156.2 Series 4000).
- No exposed fasteners on face of unit.
- Unique design provides maximum security, virtually eliminating the opening between door and frame at the latch point.
- Available in 13 Gauge Stainless Steel or 12 Gauge Steel.

Dimensions

2-1/2" Wide x 9-1/2" High
 Stud center to center: 8-1/2"

Finishes

Ives Number	USP	US32D
BHMA	600	630



LG11 Lock Guard

- Designed for use on aluminum doors with latch-type locks or doors equipped with electric strikes.
- Unit is Handed - Specify left or right hand when ordering.
- No exposed fasteners on face of unit.
- Unique design provides maximum security, virtually eliminating the opening between door and frame at latch point.
- Available in 13 Gauge Stainless Steel or 12 Gauge Steel.

Dimensions

2-1/2" Wide x 9-1/2" High
 Stud center to center: 8-1/2"

Finishes

Ives Number	US32D	SP313
BHMA	630	695



LG12 Lock Guard

- Narrow design unit for use on rose or escutcheon 3-1/2" or less.
- For use with Type 86 Mortise and Type 161 Cylinder Locks (ANSI 156.13 Series 1000 and ANSI 156.2 Series 4000).
- No exposed fasteners on face of unit.
- Unique design provides maximum security, virtually eliminating the opening between door and frame at the latch point.
- Available in 13 Gauge Stainless Steel or 12 Gauge Steel

Dimensions

1-1/2" Wide x 9-1/2" High
 Stud center to center: 8-1/2"

Finishes

Ives Number	USP	US32D
BHMA	600	630

A
Hinges & Pivots

B
Pulls & Plates

C
Flush Bolts & Coordinators

D
Latches, Catches & Bolts

E
Stops

F3
Exterior Hardware

G
Miscellaneous Hardware

A	Hinges & Pivots
B	Pulls & Plates
C	Flush Bolts & Coordinators
D	Latches, Catches & Bolts
E	Stops
F4	Exterior Hardware
G	Miscellaneous Hardware



LG13 Lock Guard

- Designed for use on all Type 161 Cylindrical Locks (ANSI 156.2 Series 2000) Monolock and Unilock.
- No exposed fasteners on face of unit.
- Unique design provides maximum security, virtually eliminating the opening between door and frame at latch point.
- Available in 13 Gauge Stainless Steel or 12 Gauge Steel.

Dimensions

1-1/2" Wide x 7" High
 Stud center to center: 4-1/2"

Finishes

Ives Number	USP	US32D
BHMA	600	630



LG14 Lock Guard

- Narrow design unit for use on rose or escutcheon 3-1/2" or less.
- For use with Von Duprin 6210 and 6211 electric strike.
- No exposed fasteners on face of unit.
- Unique design provides maximum security.
- Available in 13 Gauge Stainless Steel

Dimensions

2-9/16" Wide x 9-1/2" High
 Stud center to center: 8-1/2"

Finishes

Ives Number	US32D
BHMA	630



Meets ANSI/BHMA A156.16 L23222
UL Listed 90 minute fire doors

U696 One-Way Viewer

- 150° Angle of View.
- For doors 1-3/8" to 2-1/16" thick.
- Secure, tamper-resistant.
- Solid brass body; glass lens.
- Simple installation — only a 1/2" hole required.
- Suggested installation height: 60" from floor.
- Trim washer available, 3/4" x .032" thick.

Finishes

Ives Number	B4	B10B	B26D
BHMA	606	613	626



698 meets ANSI/BHMA A156.16 L23172
U698 meets ANSI/BHMA A156.16 L23222
U698 is UL Listed 90 minute fire doors

698 U698 One-Way Wide Angle Viewer

- 190° Angle of View.
- Lens projects 1/4" from face of door.
- 4 optical glass lenses.
- For doors 1-3/8" to 2-1/8" thick.
- Solid brass body and barrel.
- Simple installation — only a 9/16" hole required.
- Suggested installation height: 60" from floor.

Finishes

Ives Number	B3	B15**	B26D	B716*
BHMA	605	619	626	

* not available on U698

** only available in Schlage Carded

A
Hinges & Pivots

B
Pulls & Plates

C
Flush Bolts & Coordinators

D
Latches, Catches & Bolts

E
Stops

F5
Exterior Hardware

G
Miscellaneous Hardware

A
Hinges & Pivots



700 meets ANSI/BHMA A156.16 L23173
U700 meets ANSI/BHMA A156.16 L23222
U700 is UL Listed 90 minute fire doors

B
Pulls & Plates

C
Flush Bolts & Coordinators

D
Latches, Catches & Bolts

E
Stops

F6
Exterior Hardware

G
Miscellaneous Hardware

700 U700 One-Way Viewer

- 120° Angle of View.
- For doors 1-3/8" to 2-1/16" thick.
- Secure, tamper-resistant.
- Solid brass body; glass lens.
- Simple installation—only a 1/2" hole required.
- Suggested installation height: 60" from floor.
- Trim washer available, 3/4" x .032" thick.

Finishes

Ives Number	B3**	B4	B10B*	B26D
BHMA	605	606	613	626

* not available on U700

** only available on 700 in Schlage Carded

701 U701 One-Way Viewer

- 120° Angle of View.
- For doors 2-1/8" to 2-5/8" thick.
- Secure, tamper-resistant.
- Solid brass body; glass lens.
- Simple installation—only a 1/2" hole required.
- Suggested installation height: 60" from floor.
- Trim washer available, 3/4" x .032" thick.

Finishes

Ives Number	B4	B10B	B26D
BHMA	606	613	626



Meets ANSI/BHMA A156.16 L23151

02-3107 Knocker Only

- Knocker made from forged brass.
- Only available in Schlage Carded pak

Dimensions

Length: 8-1/2"
 Width: 4-1/8"
 Projection: 1"
 Mounting Hole Center-to-Center: 5"

Finishes

Ives Number	B605	B19
BHMA	605	619



Meets ANSI/BHMA A156.16 L23161

02-3125 Knocker Only
02-31251U Knocker with U700 Viewer
02-31252U Knocker with U701 Viewer

- Knocker made from forged brass.
- 02-31251 and 02-31251U for door thickness 7/8" – 1-9/16"
- 02-31252 and 02-31252U for door thickness 1-5/8" – 2-1/8"

Dimensions

Length: 5-15/16"
 Width: 3"
 Projection: 1-1/16"
 Mounting Hole Center-to-Center: 3-15/16"

Finishes

Ives Number	B3	B5	B15	B15A*	B26	B26D	716
BHMA	605	609	619	620	625	626	

* not available on viewer, only available in Schlage Carded

Only B3, B15, B26D and 716 knockers are available with viewer. B3 is furnished with B4 (606) viewer, 716 is furnished with B10B viewer, B15 (619) is furnished with a 636 viewer.

A
Hinges & Pivots

B
Pulls & Plates

C
Flush Bolts & Coordinators

D
Latches, Catches & Bolts

E
Stops

F7
Exterior Hardware

G
Miscellaneous Hardware

A
Hinges & Pivots

B
Pulls & Plates

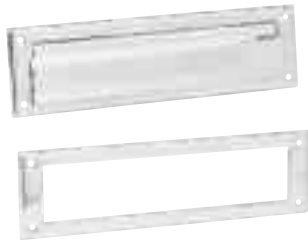
C
Flush Bolts & Coordinators

D
Latches, Catches & Bolts

E
Stops

F8
Exterior Hardware

G
Miscellaneous Hardware



Meets ANSI/BHMA A156.16 L26031

620 Magazine Size Letter Box Plate with Standard (Open) Back Plate

- Spring-loaded front plate
- Sex Bolt mounting available, order separately 09-355 – finish.

Dimensions

Overall Size: 13" Wide x 3-9/16" High

Plate Opening: 11" x 2" High

Finishes *brass*

Ives Number	B3	B5	B15	B15A*	B26	B26D	B716
BHMA	605	609	619	620	625	626	

Finishes *aluminum*

Ives Number	PA28
BHMA	628

* not available in U700 Schlage Carded



601 Sleeve for use with Letter Box Plate

- Made of stainless steel.
- For 1-3/4" hollow core doors.



SC2 - 30 X 6 Heritage House Number

- Made from solid brass.
- Schlage Carded*

0 - 3006	5 - 3056
1 - 3016	6 - 3066
2 - 3026	7 - 3076
3 - 3036	8 - 3086
4 - 3046	9 - 3096

Dimensions

Height: 4"

Finishes *brass*

Ives Number	B3	B15	B716
BHMA	605	619	

A
Hinges & Pivots

B
Pulls & Plates

C
Flush Bolts & Coordinators

D
Latches, Catches & Bolts

E
Stops

F9
Exterior Hardware

G
Miscellaneous Hardware



980 Storm Door Latch

- For wood storm doors 7/8" to 1-1/8" thick.
- Reversible: fits right or left hand, inswinging or outswinging doors.
- Security lock feature operates from inside rose.
- Solid brass safety strike assures latching and is designed to compensate for air pressure build-up between doors.
- Made from wrought brass.

Dimensions

Backset: 1-3/4"
 Rose Diameter: 1-7/8"
 Knob Diameter: 1-3/4"
 Knob Projection: 2"
 Lever Length: 1-3/4"
 Lever Projection: 1-7/8"

Finishes *brass*

Ives Number	B3	B5	B10B	B15	B19	B26	B26D
BHMA	605	609	613	619	622	625	626

A
Hinges & Pivots



Meets ANSI/BHMA A156.16, L12231,

B
Pulls & Plates

25 Screen Door Pull

- Cast aluminum or epoxy-coated aluminum
- Also used as a window lift, drawer or utility pull

Dimensions

Length 4-7/8"

Projection 1-5/32"

Mounting holes 4-1/8" center to center

Finishes

Ives Number	A3	A92	A-W	A-B
BHMA	666	673		

C
Flush Bolts & Coordinators

CS115 Crash Stop

- Specially designed for full-size exterior doors.
- Tear resistant, grey vinyl cover.
- Heavy duty compression spring assembled to both ends of chain and end brackets.
- Packed with sheet metal screws.
- Cast Brass brackets with solid, welded steel chain.
- Optional sex bolt mounting available in US26D (626) only.



Meets ANSI/BHMA A156.16, L12231,

D
Latches, Catches & Bolts

Dimensions

Bracket Size: 1-9/16" x 1-9/16"

Available Lengths:

20-1/2" — Recommended for 30" Door Width (Product No. CS115-20)

25-1/2" — Recommended for 36" Door Width (Product No. CS115-25)

30-1/2" — Recommended for 42" Door Width (Product No. CS115-30)

E
Stops

Finishes

Ives Number	US10B	US26D
BHMA	613	626

F10
Exterior Hardware

G
Miscellaneous Hardware

Table Of Contents

	page
Hooks & Brackets	
059 Handrail Bracket	G2
59 Handrail Bracket	G2
159 Handrail Bracket	G2
405 Coat & Hat Hook	G3
571 Coat & Hat Hook	G3
572 Coat & Hat Hook	G3
574 Coat & Hat Hook	G4
575 Coat & Hat Hook	G4
580 Ceiling Hook	G4
581 Wardrobe Hook	G5
582 Wardrobe Hook	G5
585 Closet Pole Socket	G6
586 Closet Pole Socket	G6
Window Hardware	
07 Window Lock	G6
90 Side Window Lock	G7
026 Bar Window Lift	G7
066 Casement Fastener	G7
66 Casement Fastener	G8
71 Casement Adjuster	G8
Hobby Hardware	
78 Hook and Staple	G9
86 Hobbyist Barrel Bolt	G9
9011, 9031 Middle Butt Hinge	G9
9041 Middle Butt Hinge	G9
9042 Broad Butt Hinge	G9
9070 Decorative Hinge	G10
9071, 9072 Decorative Hinge	G10
9110 Decorative Hasp	G10
9120 Hasp	G10
9130 Hook with Hasp	G11
9210 Support Hinge	G11
9220 Friction Lid Support	G11
9311, 9212 Decorative Corner	G11
9320 Bracket	G12
9321 Bracket	G12
9330 Draw Catch	G12
9340 Chest Handle	G12
Cabinet/Closet Hardware	
2 Elbow Catch	G13
22 Flush Pull	G13
218 Finger Pull	G13
221 Flush Pull	G14
222 Flush Pull	G14
223 Flush Pull	G14
227 Flush Pull	G15
230 Slide Door Edge Pull	G15
42 Pocket Sliding Door Bolt	G15
990 Sliding Door Pull	G16
991 Sliding Door Pull	G16



A Hinges & Pivots
 B Pulls & Plates
 C Flush Bolts & Coordinators
 D Latches, Catches & Bolts
 E Stops
 F Exterior Hardware
G1 Miscellaneous Hardware

A
Hinges & Pivots



Meets ANSI/BHMA A156.16 L13061 for brass and L33061 for aluminum

059 Hand Rail Bracket

- Made from solid brass, cast aluminum or epoxy-coated aluminum.
- Large faceplate for secure attachment to wall.
- Features solid construction for increased strength.

Dimensions

Base: 2-1/4" High x 1-3/8" Wide

Base to Center of Rail: 2-7/16"

Finishes *brass*

Ives Number	B3	B5	B10B	B15	B15A	B19	B26	B26D	B716
BHMA	605	609	613	619	620	622	625	626	

Finishes *aluminum*

Ives Number	A3	A5	A10	A10B	A14	A15	A92	A716	A-BLK	A-W
BHMA	666		668	703	669	670	673			

Finishes *zinc*

Ives Number	Z619E
-------------	-------

B
Pulls & Plates

C
Flush Bolts & Coordinators

D
Latches, Catches & Bolts

E
Stops

F
Exterior Hardware

G2
Miscellaneous Hardware



Meets ANSI/BHMA A156.16 L13061 for brass and L33061 for aluminum

59 Hand Rail Bracket

- Made from cast brass or cast aluminum.
- Large faceplate for secure attachment to wall.
- Features solid construction for increased strength.

Dimensions

Aluminum Base: 2-13/16" High x 1-1/2" Wide

Brass Base: 2-15/16" High x 1-1/2" Wide

Base to Center of Rail: 2-3/4"

Finishes *brass*

Ives Number	B3	B5	B15	B26	B26D	B716
BHMA	605	609	619	625	626	

Finishes *aluminum*

Ives Number	A3	A5	A10B	A14	A15	A92	A716
BHMA	666		703	669	670	673	



Meets ANSI/BHMA A156.16, L33081

159 Hand Rail Bracket

- For use on commercial applications.
- Exceeds OSHA and BHMA strength test requirements.
- Packed with square head iron lag screw, expansion shield and screws.
- Cast Aluminum construction.

Dimensions

Base Diameter: 3-1/8"

Base to Rail Center: 3-1/8"

Finishes *aluminum*

Ives Number	A3	A92
BHMA	666	673



Meets ANSI/BHMA A156.16 L33113

405 Coat & Hat Hook

- Wide body design is ideal for public buildings, schools, dormitories, etc., where hook must withstand unusual stress and strain.
- Made from cast aluminum.

Dimensions

Base: 1-1/2" High x 7/8" Wide
Projection: 2-1/2"

Finishes aluminum

Ives Number	A3	A4	A5	A10	A10B	A14	A92
BHMA	666	667		668	703	669	673

571 Coat & Hat Hook

- All-purpose hook in traditional design.
- Made from cast brass, cast aluminum, or epoxy-coated aluminum.

Dimensions

Base: 1-3/4" High x 1-1/4" Wide
Projection: 3"

Finishes brass

Ives Number	B3	B4	B5	B10B	B15	B15A*	B26	B26D	B716
BHMA	605	606	609	613	619	620	625	626	

Finishes aluminum

Ives Number	A3	A5	A10	A14	A15	A92	A716	A-W	A-BLK
-------------	----	----	-----	-----	-----	-----	------	-----	-------

BHMA	666	668	669	670	673
------	-----	-----	-----	-----	-----

Finishes zinc

Ives Number	Z619E
-------------	-------

BHMA

* only available in Schlage Carded or Slim-Pak of 25

572 Coat & Hat Hook

- Step-up decorative version of the traditional all-purpose hook.
- Ideal for locations where additional strength is required.
- Made from cast brass or cast aluminum.

Dimensions

Brass Base: 1-1/2" High x 1-5/16" Wide
Aluminum Base: 1-5/8" High x 1-5/16" Wide
Projection: 3"

Finishes brass

Ives Number	B3	B4	B5	B10	B10B	B15	B26	B26D
BHMA	605	606	609	612	613	619	625	626

Finishes aluminum

Ives Number	A3	A5	A10	A10B	A14	A15	A92
-------------	----	----	-----	------	-----	-----	-----

BHMA	666	668	703	669	670	673
------	-----	-----	-----	-----	-----	-----



Meets ANSI/BHMA A156.16 L13113 for brass and L33113 for aluminum.



A
Hinges & Pivots

B
Pulls & Plates

C
Flush Bolts & Coordinators

D
Latches, Catches & Bolts

E
Stops

F
Exterior Hardware

G3
Miscellaneous Hardware

A
Hinges & Pivots



Meets ANSI/BHMA A156.16 L13113 for brass and L33113 for aluminum

B
Pulls & Plates

C
Flush Bolts & Coordinators

D
Latches, Catches & Bolts

E
Stops

F
Exterior Hardware

G4
Miscellaneous Hardware

574 Coat & Hat Hook

- Decorative design is ideal for commercial and residential installations.
- Made from cast brass, cast aluminum or epoxy-coated aluminum.

Dimensions

Base: 1-5/8" High x 1-3/4" Wide
 Projection: 3-3/4"
 Overall Height, Brass: 4-3/4"
 Overall Height, Aluminum: 5"

Finishes *brass*

Ives Number	B3	B4	B10	B10B	B15	B26	B26D
BHMA	605	606	612	613	619	625	626

Finishes *aluminum*

Ives Number	A3	A26	A92
BHMA	666	672	673

575 Coat & Hat Hook

- Especially designed to accommodate large hats.
- Made from solid brass or cast aluminum.

Dimensions

Base: 2-1/4" High x 1-3/8" Wide
 Projection: 3-5/8"
 Overall Height: 5-3/4"

Finishes *aluminum*

Ives Number	A3	A10B	A92
BHMA	666	703	673

Meets ANSI/BHMA A156.16 L33121

580 Ceiling Hook

- Ideal for use in closets, attached to underside of shelves, or in storage lockers.
- Made from cast brass or cast aluminum.

Dimensions

Base: 1" High x 1-7/8" Wide
 Projection: 2-1/4"

Finishes

Ives Number	A3	A5	A10	A14	A15	A92	A716
BHMA	666		668	669	670	673	



581 Wardrobe Hook

- Compact hook is perfect where space is limited, such as behind doors where low profile is needed.
- Made from cast brass, cast aluminum or epoxy-coated aluminum.

Dimensions

Base, Brass/Aluminum: 1-1/4" High x 1-1/4" Wide
 Base, Zinc: 1-1/2" High x 3/4" Wide
 Projection, Brass: 1-11/16"
 Projection, Aluminum, Zinc: 1-5/8"

Finishes brass

Ives Number	B3	B4	B5	B10	B10B	B15	B15A*	B26	B26D	B716
BHMA	605	606	609	612	613	619	620	625	626	

* only available in Schlage Carded

Finishes aluminum

Ives Number	A3	A5	A14	A15	A92	A716	A-BLK	A-W
BHMA	666		669	670	673			

Finishes zinc (narrow base)

Ives Number	Z619E
BHMA	



582 Double Wardrobe Hook

- Compact double hook is perfect where space is limited, such as behind doors where low profile is needed.
- Made from cast brass, cast aluminum or epoxy-coated aluminum.

Dimensions

Base, Brass: 1-1/8" High x 1-1/4" Wide
 Base, Aluminum: 1-1/16" High x 1-3/16" Wide
 Base, Zinc: 1-5/8" High x 7/8" Wide
 Projection, Brass: 1"
 Projection, Aluminum, Zinc: 1-3/32"

Finishes brass

Ives Number	B3	B4	B5	B10	B10B	B15	B15A*	B26	B26D	B716
BHMA	605	606	609	612	613	619	620	625	626	

Finishes aluminum

Ives Number	A3	A5	A10	A14	A15	A92	A716	A-W	A-BLK
BHMA	666		668	669	670	673			

Finishes zinc (narrow base)

Ives Number	Z619E
BHMA	

* only available in Schlage Carded or Slim-Pak of 25

A
Hinges & Pivots

B
Pulls & Plates

C
Flush Bolts & Coordinators

D
Latches, Catches & Bolts

E
Stops

F
Exterior Hardware

G5
Miscellaneous Hardware

A
Hinges & Pivots

B
Pulls & Plates

C
Flush Bolts & Coordinators

D
Latches, Catches & Bolts

E
Stops

F
Exterior Hardware

G6
Miscellaneous Hardware

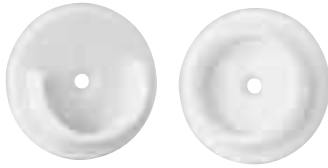


SP585 Closet Pole Sockets

- Flange design prevents accidental knock out of pole.
- Made from wrought steel.
- Accommodates pole or pipe with outside diameter of 1-3/8".
- Packed in pairs.

Finishes

Ives Number	F3
BHMA	632



SP586 Closet Pole Sockets

- Made from a heavy duty plastic for long life and extra strength.
- Single screw mounting.
- Accommodates pole or pipe with outside diameter of 1-3/8".
- Packed in pairs.

Finish

White Plastic



07 Window Lock

- Designed low to the sash for superior strength and greater resistance to breakage.
- Vertical and horizontal camming action for snug, non-rattling fit.
- Heavy gauge springs provide long-wearing action.
- Made from solid brass, aluminum, or epoxy coated aluminum.

Dimensions

Base: 15/16" x 2-9/16"

Strike: 5/8" x 2-9/16"

Meets ANSI/BHMA A156.16

Finishes *brass*

Ives Number	B3	B15	B15A*	B26	B26D	B716
BHMA	605	619	620	625	626	

Finishes *aluminum*

Ives Number	A3	A5*	A10B	A14	A15	A92	A-716	A-W	A-BLK
BHMA	666		703	669	670	673			

* only available in Schlage Carded or Slim-Pak of 25



Meets ANSI/BHMA A156.16

90 Side Window Lock

- May be used singularly for small windows or in pairs for large windows.
- Cam action eliminates rattles and holds window firmly in desired position.
- Made from aluminum.

Dimensions
1-3/4" High x 1-1/8" Wide

Finishes

Ives Number	A3
BHMA	666



Meets ANSI/BHMA A156.16

026 Bar Window Lift

- Facilitates opening of window in a safe manner.
- Can also be used as a drawer or utility pull.
- Made from solid brass, aluminum, or epoxy coated aluminum.

Dimensions
Base: 1-1/8" High x 4" Wide
Projection: 1-1/16"

Finishes brass

Ives Number	B3	B5	B15	B15A*	B26	B26D	B716
BHMA	605	609	619	620	625	626	

Finishes aluminum




Ives Number	A3	A5	A14	A15	A92	A716	A-W	A-BLK
-------------	----	----	-----	-----	-----	------	-----	-------

BHMA 666 669 670 673
*only available in Schlage Carded or Slim-Pak of 25



Meets ANSI/BHMA A156.16

066 Casement Fastener

- For use on windows to provide weather-tight fastening and security.
- Also ideal for securing louvered doors and small doors.
- Made from solid brass or aluminum.
- Specify: Surface, Strike (SS)  Rim, or Strike (RS)  Mortise Strike (MS) 

Dimensions
Base: 1-5/8" x 7/8"
Projection: 1-3/8"

Finishes brass

Ives Number	B3	B5	B15	B26	B26D
BHMA	605	609	619	625	626

Finishes aluminum

Ives Number	A3	A5	A10B	A14	A92
BHMA	666	668	703	673	

Hinges & Pivots **A**

Pulls & Plates **B**

Flush Bolts & Coordinators **C**

Latches, Catches & Bolts **D**

Stops **E**

Exterior Hardware **F**




Miscellaneous Hardware **G7**

A
Hinges & Pivots



Meets ANSI/BHMA A156.16

66 Casement Fastener

- For use on windows to provide weather-tight fastening and security.
- Also ideal for securing louvered doors and small doors.
- Made from solid brass or aluminum.
- Specify: Surface Strike (SS)  Rim Strike (RS)  Mortise Strike (MS) 

Dimensions

Base: 2-1/16" High x 1-1/16" Wide
Projection: 1-7/8"

Finishes *brass*

Ives Number	B3	B5	B15	B26	B26D	B716
BHMA	605	609	619	625	626	

Finishes *aluminum*

Ives Number	A3	A5	A14	A92
BHMA	666		669	673

B
Pulls & Plates

C
Flush Bolts & Coordinators

D
Latches, Catches & Bolts

E
Stops

F
Exterior Hardware

G8
Miscellaneous Hardware



Meets ANSI/BHMA A156.16

71 Casement Adjuster

- Securely holds casement window in any position.
- Can also be used to hold cabinet lids and drafting table tops in various positions.
- Made from burnished steel or solid brass.
- Available in 10" and 12" lengths.

Dimensions

Tube: 3/8" x 5/8"
Projection: 1"

Sash Plate:

Brass: 1-5/8" High x 5/8" Wide
Steel: 2 x 5/8" Wide

Sill Plate:

2-1/4" x 15/16" Wide

Finishes *brass*

Ives Number	B3	B26
BHMA	605	625



78 Hook and Staple
 • Made from solid brass.

Dimensions
 Hook: 1-1/2" Long
 Staple: 3/4" high x 15/16" wide

Finishes

Ives Number	B3
BHMA	605



86 Hobbyist Barrel Bolt
 • Made from solid brass.

Dimensions
 Bolt plate: 1-9/16" high x 1-11/16" wide
 Bolt guide: 1-9/16" high x 7/16" wide
 Strike plate: 1-9/16" high x 5/8" wide

Finishes

Ives Number	B3
BHMA	603



9011 Middle Butt Hinge
9031 Middle Butt Hinge
 • Made from solid brass.

Dimensions
 9011 Overall height x overall width: 3/4" x 11/16"
 9031 Overall height x overall width: 1-1/2" x 1"

Finishes

Ives Number	B3
BHMA	605

Schlage Carded - 9011 4 per, 5 cards per box. 9031 2 per, 5 cards per box.



9041 Middle Butt Hinge
 • Made from solid brass.

Dimensions
 Overall height x overall width: 2" x 1-1/4"

Finishes

Ives Number	B3
BHMA	605

Schlage Carded - 2 per, 5 cards per box.



9042 Broad Butt Hinge
 • Made from solid brass.

Dimensions
 Overall height x overall width: 2" x 1-3/8"

Finishes

Ives Number	B3	B5
BHMA	605	609

Schlage Carded - 2 per, 5 cards per box.

A
Hinges & Pivots

B
Pulls & Plates

C
Flush Bolts & Coordinators

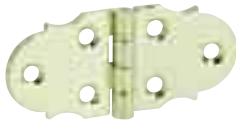
D
Latches, Catches & Bolts

E
Stops

F
Exterior Hardware

G9
Miscellaneous Hardware

A
Hinges & Pivots



9070 Decorative Hinge

- Made from steel.

Dimensions

Overall height x overall width: 1-5/16" x 2-7/8"

Finishes

Ives Number	F3
-------------	----

BHMA	632
------	-----

Schlage Carded - 2 per, 5 cards per box.

B
Pulls & Plates

C
Flush Bolts & Coordinators



9071 Decorative Hinge 9072 Decorative Hinge

- Made from solid brass.

Dimensions

9071 Overall height x overall width: 1-3/4" x 3"

9072 Overall height x overall width: 1-5/16" x 2-1/4"

Finishes

Ives Number	B3	B5
-------------	----	----

BHMA	605	609
------	-----	-----

Schlage Carded - 1 per card, 5 cards per box.

D
Latches, Catches & Bolts



9110 Decorative Hasp

- Made from solid brass.

Dimensions

Overall height x overall width: 5/8" x 1-7/8"

Finishes

Ives Number	B3	B5
-------------	----	----

BHMA	605	609
------	-----	-----

Schlage Carded - 2 per, 5 cards per box.

E
Stops

F
Exterior Hardware



9120 Hasp

- Made from solid brass.

Dimensions

Overall height x overall width: 3/4" x 2-3/4"

Finishes

Ives Number	B3	B5
-------------	----	----

BHMA	605	609
------	-----	-----

Schlage Carded - 1 per card, 5 cards per box.

G10
Miscellaneous Hardware



9130 Hook with Hasp

- Made from solid brass.

Dimensions

Overall height x overall width: 3/4" x 2-3/4"

Finishes

Ives Number B3

BHMA 605

Schlage Carded - 1 per, 5 cards per box.



9210 Support Hinge

- Made from steel.
- Handed. Specify Left Hand (LH) or Right Hand (RH)

Dimensions

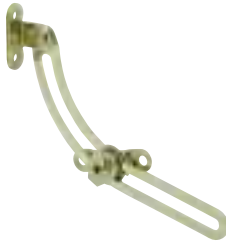
Extension: approx. 10-3/8"

Finishes

Ives Number F3

BHMA 632

Schlage Carded - 1 per, 5 cards per box.



9220 Friction Lid Support

- Made from steel.
- Handed. Specify Left Hand (LH) or Right Hand (RH)

Dimensions

Extension: approx. 5"

Finishes

Ives Number F3

BHMA 632

Schlage Carded - 1 per, 5 cards per box.



9311 Decorative Corner

- Made from solid brass.

Dimensions

9311 Side to corner: 1-3/4"

Finishes

Ives Number B3

BHMA 605

Schlage Carded - 4 per card, 5 cards per box.

A
Hinges & Pivots

B
Pulls & Plates

C
Flush Bolts & Coordinators

D
Latches, Catches & Bolts

E
Stops

F
Exterior Hardware

G11
Miscellaneous Hardware



9320 Bracket

- Made from solid brass.

Dimensions

Each leaf 1/2" x 1-1/8"

Finishes

Ives Number B3

BHMA 605

Schlage Carded - 4 per, 5 cards per box.



9321 Bracket

- Made from solid brass.

Dimensions

Each leaf 1/2" x 1-9/16"

Finishes

Ives Number B3

BHMA 605

Schlage Carded - 4 per, 5 cards per box.



9330 Draw Catch

- Made from steel.

Dimensions

Overall height: 1-1/2"

Overall width: 2-3/4"

Finishes

Ives Number F3

BHMA 632

Schlage Carded - 2 per, 5 cards per box.



9340 Chest Handle

- Made from steel.

Dimensions

Overall height: 1-1/2"

Overall width: 3-1/2"

Finishes

Ives Number F3

BHMA 632

Schlage Carded - 2 per, 5 cards per box.



Meets ANSI/BHMA A156.9 B33023

2 Elbow Catch

- Ideal for use on the inactive leaf of a pair of cabinet doors.
- Surface applied, making installation simple.
- Made from cast aluminum.

Dimensions

Plate: 1-3/8" High x 5/8" Wide
 Strike: 13/16" High x 5/8" Wide

Finishes *aluminum*

Ives Number	A3	A5	A14	A15	A92	A716
BHMA	666		669	670	673	



Meets ANSI/BHMA A156.9 B22201 and A156.14 D2781.

22 Flush Pull

- Low profile makes this pull ideal for louvered, bi-folding or wardrobe doors.
- Extra deep recess and reverse tapered grip provide for ease of pulling and gripping.
- Made from wrought brass.

Dimensions

1-5/16" High x 3-1/8" Wide x 7/16" Deep

Finishes *brass*

Ives Number	B3	B5	B10B	B15	B26	B26D
BHMA	605	609	613	619	625	626



Meets ANSI/BHMA A156.9 B22201 and A156.14 D2781.

218 Finger Pull

- Ideal for use on sliding doors.
- Easy installation.
- Made from wrought brass.

Dimensions

Inside Cup Diameter: 3/4"
 Overall Diameter: 1"
 Depth: 5/16"

Finishes *brass*

Ives Number	B3	B5	B10	B10B	B15	B26	B26D
BHMA	605	609	612	613	619	625	626

A
Hinges & Pivots

B
Pulls & Plates

C
Flush Bolts & Coordinators

D
Latches, Catches & Bolts

E
Stops

F
Exterior Hardware

G13
Miscellaneous Hardware

A
Hinges & Pivots

B
Pulls & Plates

C
Flush Bolts & Coordinators

D
Latches, Catches & Bolts

E
Stops

F
Exterior Hardware

G14
Miscellaneous Hardware



Meets ANSI/BHMA A156.9 B22201 and A156.14 D2781

221 Flush Pull

- Ideal for use on sliding doors.
- Built-in prong design eliminates the need for screws or brads and facilitates installation.
- Packed with two escutcheon pins for added holding power.
- Made from wrought brass.

Dimensions

Inside Cup Diameter: 2-1/8"
Overall Diameter: 2-7/16"
Depth: 7/16"

Finishes *brass*

Ives Number	B3	B4	B5	B10	B10B	B15	B15A*	B26	B26D	B716
BHMA	605	606	609	612	613	619	620	625	626	

* only available in Slim-Pak of 25



Meets ANSI/BHMA A156.9 B12201 and A156.14 D1781.

222 Flush Pull

- Low profile makes this pull ideal for louvered, bi-folding or wardrobe doors.
- Reverse tapered grip provide for ease of pulling.
- Made from cast brass.

Dimensions

3-1/8" High x 1-5/8" Wide x 7/16" Deep

Finishes *brass*

Ives Number	B3	B4	B5	B10	B10B	B15	B26	B26D
BHMA	605	606	609	612	613	619	625	626



Meets ANSI/BHMA A156.9 B22201 and A156.14 D2781.

223 Flush Pull

- Low profile makes this pull ideal for louvered, bi-folding or wardrobe doors.
- Made from wrought brass

Dimensions

3-9/16" High x 1-5/16" Wide x 1/2" Deep

Finishes *brass*

Ives Number	B3	B4	B10	B10B	B15	B26	B26D
BHMA	605	606	612	613	619	625	626



Meets ANSI/BHMA A156.9 B22201 and A156.14 D2781.

227 Flush Pull

- Contoured for ease of pulling.
- Extra deep well.
- Deluxe quality.
- Made from wrought brass.

Dimensions

3-5/8" High x 1-3/4" Wide x 9/16" Deep

Finishes

Ives Number	B3	B4	B5	B10	B10B	B15	B26	B26D
BHMA	605	606	609	612	613	619	625	626



Meets ANSI/BHMA A156.14 D2801.

230 Sliding Door Edge Pull

- 3/4" width allows installation on narrow as well as standard doors.
- Spring automatically returns lever flush with plate.
- Made from solid brass.

Dimensions

3-7/8" High x 3/4" Wide

Finishes

Ives Number	B3	B4	B5	B10	B10B	B15	B26	B26D
BHMA	605	606	609	612	613	619	625	626



42 Pocket Sliding Door Bolt

- Exclusive Ives design permits emergency release of bolt from outside the door.
- Spring activated design allows feather-touch action.
- Brass grommet supplied to cap release hole, protecting the door's finish.
- Made from wrought brass.

Dimensions

Overall Size Plate: 3-1/16" High x 1-5/32" Wide

Strike: 1" High x 3/4" Wide

Depth of Mortise: 5/8"

Finishes

Ives Number	B3	B4	B5	B10	B10B	B15	B26	B26D
BHMA	605	606	609	612	613	619	625	626

A
Hinges & Pivots

B
Pulls & Plates

C
Flush Bolts & Coordinators

D
Latches, Catches & Bolts

E
Stops

F
Exterior Hardware

G15
Miscellaneous Hardware

A
Hinges & Pivots

B
Pulls & Plates

C
Flush Bolts & Coordinators

D
Latches, Catches & Bolts

E
Stops

F
Exterior Hardware

G16
Miscellaneous Hardware



990 Sliding Door Pull

- Fits doors 1-3/8" to 1-1/2".
- Decorative coined edges.
- Pre-assembled for doors opening left to right. Plates are reversible.
- Body and strike made from solid brass.

Dimensions

1-3/4" D x 2-1/4" H

Finishes *brass*

Ives Number	B3	B5*	B10B	B15	B15A*	B26	B716
BHMA	605	609	613	619	620	625	

* only available in Schlage Carded

Finishes *aluminum*

Ives Number	A3	A5	A14	A15	A26D	A716
BHMA	666		669	670	702	



991 Sliding Door Pull

- Fits doors 1-3/8" to 1-1/2".
- Decorative coined edges.
- Pre-assembled for doors opening left to right. Plates are reversible.
- Body, turn knob and strike made from solid brass.

Dimensions

1-3/4" D x 2-1/4" H

Finishes *brass*

Ives Number	B3	B5*	B10B	B15	B15*	B26	B716
BHMA	605	609	613	619	620	625	

* only available in Schlage Carded

Finishes *aluminum*

Ives Number	A3	A5	A14	A15	A26D	A716
BHMA	666		669	670	702	



Ingersoll Rand's Security Technologies Sector is a leading global provider of products and services that make environments safe, secure and productive. The Sector's market-leading products include electronic and biometric access control systems; time and attendance and personnel scheduling systems; mechanical locks and portable security, door closers and exit devices, steel doors and frames, architectural hardware and technologies and services for global security markets.

Commercial Customer Service: 877.671.7011
Residential Customer Service: 800.766.1966

www.ives.ingersollrand.com