

# SERENE®

## USER'S MANUAL

# CentralAlert™

## Model CA-360

### Visual Alert System



Model  
**CA-360**

### Operating Guide

Thank you for purchasing this product, please read before use  
(Keep this manual for future reference)

# Content

# Table of Contents

1. <b>CentralAlert™</b> features.....	1
2. Important safety instructions.....	2
3. General.....	3
4. Package contents.....	4
5. Detailed controls.....	4-5
6. Installation and testing.....	6
7. Set clock.....	7
8. Set alarm time.....	7
9. Select 12/24 hour mode.....	8
10. Telephone function test.....	8
11. Doorbell and test.....	9
12. Replacing doorbell battery.....	10
13. SOS/Test (help) function.....	10
14. Direct connect to wireless NOAA (Weather Alert) radio or external alarm system.....	10
15. Direct connect to external lamp module, CA-LX.....	11
16. Adding an extra wireless doorbell.....	11
17. Technical specifications.....	12
18. Display messages.....	12
19. FAQ.....	13
20. Accessories for the <b>CentralAlert™</b> Master-Unit.....	15
21. FCC Information/warranty, etc.....	15

## **1. CentralAlert™ Features:**

1. 2.4 GHz Wireless Smart-Code Technology – 360° full coverage of your entire home.
2. Advanced Visual alert system alerts you to daily sounds:
  - Alarm clock
  - Phone/fax/cell/video call
  - Baby's crying
  - Weather alerts (external alarm)
  - Doorbell
  - Audio alarms
  - Motion sensor
  - SOS paging and more
3. Multiple alerting outputs:
  - Loud speaker
  - Visual icons
  - Bright flasher
  - Digital messages
  - Bed shakers
4. A bright 1.25" digital display with dual-alarm settings (12/24 hr format).
5. Auto clock-dimming for a softer display at night.
6. Dual bed shaker output jacks (one bed-shaker is included).
7. Wireless Smart-Code technology supports thousands of systems.
8. Internal antenna design for long range operation.
9. Two phone jacks for separate telephone/fax/video phone.
10. Output jack to control a 100 watt lamp module (module is optional).
11. Use 520 Hz square-wave technology for maximum audio alert output.\*
12. Built-in flashlight.
13. Input jack for direct NOAA (weather alert radio) or external alarm system interface.
14. 2-way SOS (help) paging.
15. Simple installation – just plug and use.
16. 48 hour full function battery back-up (batteries not included)
17. 110/240 VAC, 50/60 Hz operation.

### **Note:**

\*A June 2007 study by the Fire Protection Foundation found that a low frequency square wave signal (such as 520 Hz) is more effective in alerting a hard-of-hearing person.

## **2. Important Safety Instructions:**

When using a **CentralAlert™** Model CA-360, in order to reduce the risk of fire, electric shock or injury to persons, basic safety precautions should always be followed, including the following:

1. Read all instructions before using appliance.
2. Do not mount or place Master-Unit on a metal surface. Metal can reduce wireless signal transmission.
3. This product uses rechargeable batteries. Do not use non-rechargeable batteries as charging of this type can cause battery leakage.
4. Always disconnect phone cord from wall jack before changing/ installing batteries.
5. To reduce injury risk, close supervision is necessary when appliance is used near children.
6. Do not contact moving parts or exposed metal surfaces.
7. Only use attachments recommended/sold by the manufacturer.
8. Do not use outdoors. Do not use near water.
9. To disconnect, turn all controls to "Off" position, then remove plug from outlet.
10. Do not unplug the unit by pulling the cord - grasp plug, not cord.
11. Unplug unit from outlet when not in use/before servicing or cleaning.
12. Do not operate an appliance with a damaged cord or plug; do not operate any appliance after it malfunctions, is dropped or damaged in any manner. Return appliance to nearest authorized service facility for examination, repair, or electrical/mechanical adjustment.
13. Avoid using telephone products during electrical storms. There's an electric shock risk from lightning.
14. Don't use telephone to report a gas leak while in the vicinity of the leak.
15. Specifications of this product are subject to change without notice.

### **3. General:**

Model CA-360 is an advanced wireless visual alert system for the hard-of-hearing (HOH). It also serves as a dual-alarm clock with a 1.25" tall digital display (green in color). It uses an exclusive Smart-Code technology and operates in the 2.4 GHZ band. This technology offers a fast response and long range operation. It can support thousands of systems without the need for channel-setting switches.

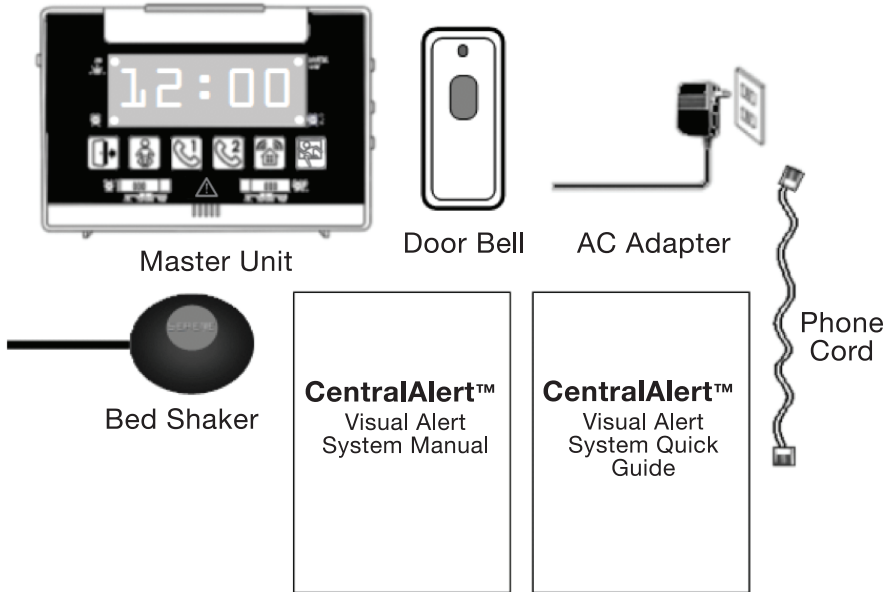
The system alerts users to ten (10) different household functions/events using five (5) alerting outputs: Speaker, flasher, bed-shaker, icons and digital messages. The digital display shows the name of an activated function. (Some functions require an optional accessory to be purchased.)

The standard system comes with: A Master-Unit, a wireless doorbell, a bed-shaker, an AC adapter, a phone cord, this manual and a Quick Guide. The wireless doorbell has already been registered to the Master-Unit. The entire system is ready for use.

Additional wireless sensors, bed-shakers, and remote receivers may be purchased to cover a larger home or office. New sensors must be registered to the Master-Unit before they can be recognized (See Adding an Extra Doorbell).

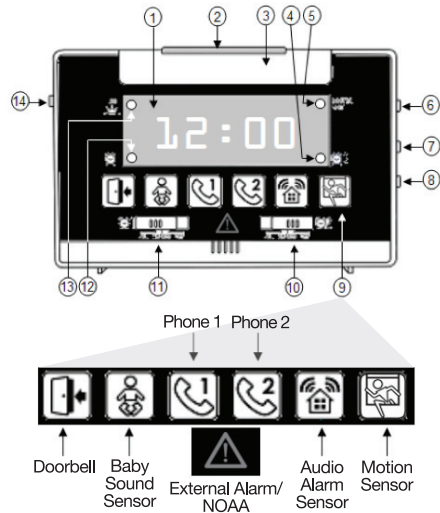
Four AA-size rechargeable NiMH batteries (not included) provide 48-hours of power outage backup. This backup duration is the longest in its class.

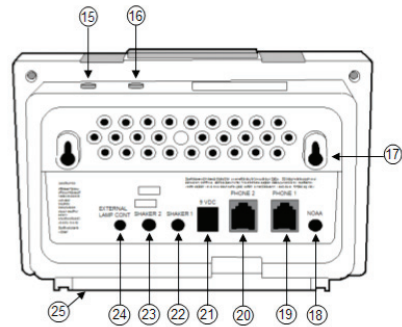
#### 4. Package Contents:



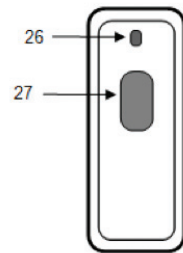
#### 5. Detailed Controls:

1. Clock display (1.25" tall)
2. Reset/Snooze button
3. Flasher
4. Alarm 2 "ON" indicator
5. Master-Unit indicator
6. Set switch
7. Hour
8. Minute
9. Accessory icons (7)
10. Alarm 2 wake-up option switch
11. Alarm 1 wake-up option switch
12. Alarm 1 "ON" indicator
13. A.M. indicator
14. Hi - Low - Off (speaker)





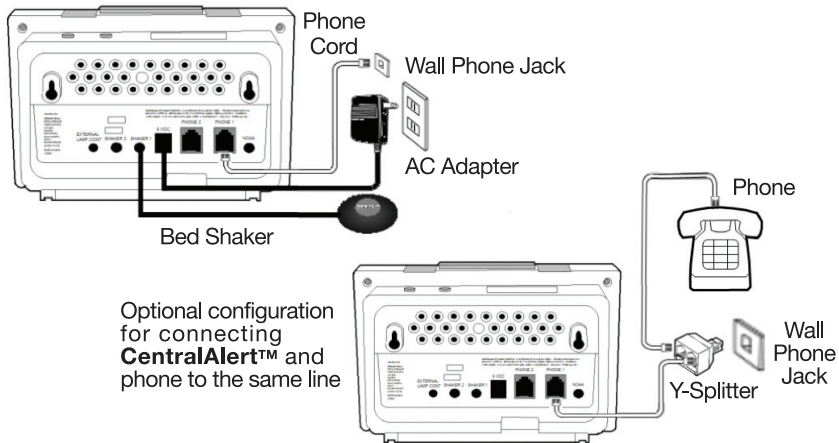
15. Motion sensor (**ON/OFF** button)
16. SOS /test button
17. Holes for wall mount
18. **Alarm/NOAA** input jack  
(for connection to weather alert radio and external alarm system)
19. Phone 1 jack
20. Phone 2 jack
21. AC Adapter jack (9vdc, 1000mn)
22. Shaker 1 jack
23. Shaker 2 jack
24. External lamp module connection jack (lamp module is optional accessory)
25. Battery compartment (underneath)



Wireless Doorbell




## 6. Master-Unit Installation and Testing



1. Install four AA size **rechargeable NiMH batteries** (user provided) in battery compartment at bottom of unit.

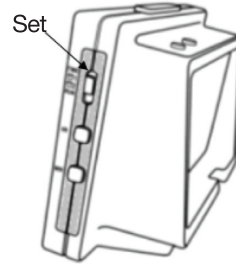
**Warning: Do not use regular batteries as charging of this type can cause battery leakage and damage to the CentralAlert™ Master-Unit.**

(The unit works without batteries; they may be inserted later against power outage)

2. Plug AC adapter into nearest electrical outlet and connect adapter plug to **CentralAlert™** Master-Unit as shown.
3. Connect bed shaker to **SHAKER-1** output jack.
4. Connect phone cord to **PHONE-1** outlet at the back of Master-Unit, then plug the other end into wall phone jack.
5. Set the **SPEAKER** (  - on left side of unit) to desired volume setting (**Hi-Lo-Off**).
6. Press **SOS/Test** button on top of unit to test. Verify that alert outputs (speaker, flasher, shaker, and display) last for 45 seconds, then stop. (Press **SNOOZE/RESET** button to stop early)
7. Verify that flasher can be toggled ON and OFF using **SNOOZE / RESET** button.
8. Verify “Master-Unit” indicator is always “**ON**.”

## 7. Set the Clock:

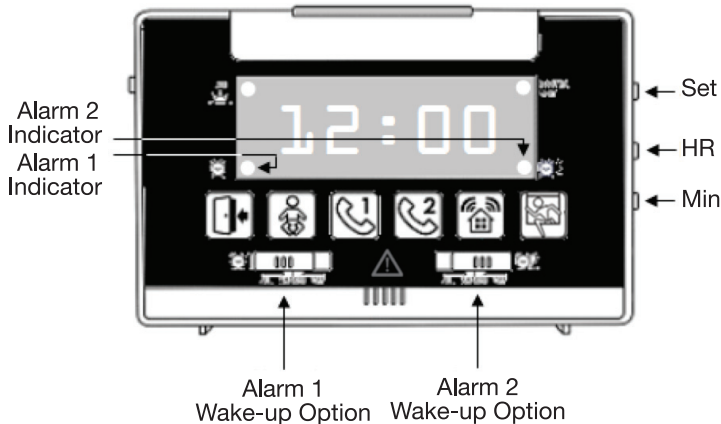
1. Slide **SET** switch (on right side of unit) to **TIME** position and push **HR & MIN** buttons to set time. Each press advances one count. Pressing and holding button advances count continuously.
2. After completing time setting, slide **SET** switch to **RUN** position or normal clock operation.



## 8. Set the Alarm Time:

1. Slide **SET** switch (on right side of unit) to **Alarm-1** (AL 1) position and set alarm time using **HR** and **MIN** buttons.
2. After completing the setting, slide **SET** switch to **RUN** position for normal clock operation.
3. Select the front panel **wake-up option** switch on **SHAKER** or **ALL** setting. **SHAKER** means to wake-up via the “bed-shaker and flasher only.” **ALL** means waking-up via “bed-shaker, flasher, and speaker.” The unit will read “**AL 1**” (or **AL 2**) when alarm goes off.

(Note: Alarm 1 & 2 indicators will stay on when **ALL** or **SHAKER** is selected.)



(Note: To activate both bed shaker outputs at the same alarm time, both **Alarm-1** and **Alarm-2** must be set to the same wake-up time.)

4. The alarm clock activates for 45-seconds at set time then stops for 5 minutes. This pattern will repeat for an entire hour.
5. While alarm clock is being activated, a quick press of **SNOOZE / RESET** button allows for a 5 minute snooze.
6. A long (2-second) press of the same button turns off alarm until the next day.(Display shows “**Stop**”)
7. Slide front panel wake-up option switch to **OFF** position to permanently turn off.

### **9. Select 12 / 24 Hour Mode:**

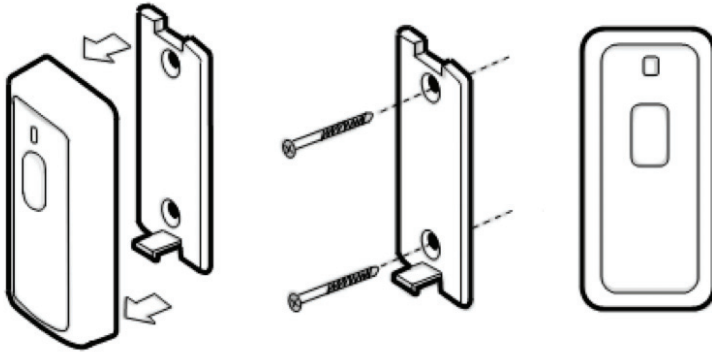
1. The clock may be set for either 12 or 24 hour mode (U.S. or Europe).
2. The factory default clock setting is on 12-hour mode.
3. To change the mode, move **SET** switch to **TIME** position and then press and hold **SOS/TEST** button for 5 seconds.
4. Repeat Step 3 to change setting back to 12-hour mode.
5. Slide **SET** switch to **RUN** position for normal clock operation.

### **10. Telephone Function Test:**

1. Place a call to the phone number corresponding to **PHONE -1**.
2. Verify that all alerting outputs respond correctly while phone is ringing.
3. Verify that by answering the call (from any phone), all alerting outputs stop immediately.
4. The **PHONE -2** jack is available for connection to a second phone-line. This second line can be a regular phone line, FAX line, or video-phone line.

## **11. Doorbell and Test:**

1. Activate doorbell button 50 ft from **CentralAlert™** Master-Unit. Confirm that all alerting outputs respond correctly and last for 45 seconds. Verify that display shows **dr - n**, where **n** is the doorbell number (If not, see “Adding an extra wireless doorbell to the system” on page 9)
2. Separate mounting plate from doorbell and install plate near door using two wood screws (user provided) as shown below.
3. Complete installation by snapping doorbell back onto mounting plate.



1. Press on latch to  
Separate door-bell  
from plate

2. Mount plate to  
door or wall-user  
provides 2 small  
screws

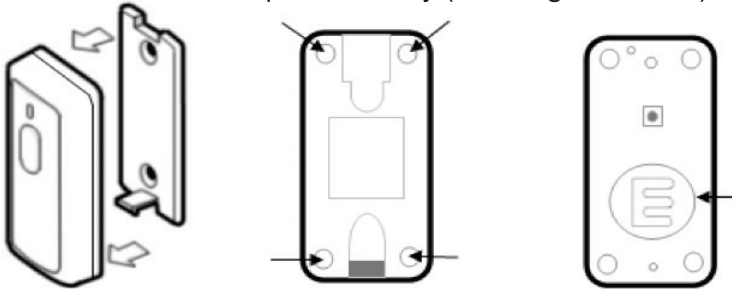
3. Snap door-bell  
Back on to the  
plate

**Note:** Do not mount the doorbell on a metal surface as this weakens wireless signal transmission.

## 12. Replacing doorbell battery:

The battery (CR2032, 3 volt lithium) in the doorbell normally lasts 8 to 12 months. This battery needs to be replaced if the doorbell does not operate consistently or if its transmit indicator becomes dim.

To replace battery (see diagram below):



1. Press on latch to Separate door-bell from plate
2. Unscrew screws from corners, separate center section from unit
3. Slide coin battery all the way into battery compartment; reassemble unit

**Note:** The battery is in the right position if the lettering on it is facing up.


## 13. SOS/TEST (Help) Function

Pressing the **SOS/Test** button, or a personal pendant (Model CA-SOS), sends a wireless signal to activate **SOS** alert outputs on all **CentralAlert™** units in your system.

## 14. Direct Connect to a NOAA (Weather Alert) Radio or to an external alarm system

\***CentralAlert™** is compatible with NOAA radios that offer a 3.5-mm alert output jack. (Midland Model WR-120; Radio Shack Model 12-382; First Alert Model WX-150; Sangean CL-100 may offer an alert jack feature).

Please note that setting up a NOAA radio for proper operation requires a good understanding of how a weather alert radio works. Please consult with the radio manufacturer for technical help. Neither Serene Innovations, Inc., nor its dealer is responsible for any consequence relating to the purchase or the use of these radios.

\* The “**Alarm/NOAA**” in jack is also compatible to an alarm system where a “**Normal Open**” relay contact is available. When properly connected, a momentary “**Close**” or “**Short**” on the relay contact activates  icon and all alerting outputs. Please consult with an alarm installer on alarm connection.

### **Installation:**

1. Connect one end of a 3.5-mm plug cable (user provided) to the **Alarm/NOAA** input jack on .
2. Connect the other end of the plug cable to a NOAA in radio alert output jack.
3. Verify that the alert output from the radio can trigger during a National Weather Service test alert broadcast. The National Weather Service (NWS) broadcasts a test alert every week, on Wednesdays between 11AM and 12PM (noon).

## **15. Direct Connect to an External Lamp Module, Model CA-LX**

**CentralAlert™** can control an external lamp via an optional external lamp module (Model CA-LX). A user can control the lamp **ON/OFF** using the **SNOOZE/RESET** button on **CentralAlert™**. The operation of this lamp is synchronized with the flasher.

## **16. Adding an extra wireless doorbell to the system**

1. A new wireless doorbell (or any other wireless sensor) must be learned (registered) by the Master-Unit before it can be recognized.
2. With **SET** switch in **RUN** position, press and hold the **SOS/Test** button for 5-seconds until it beeps. Its digital display flashes “**LEAr**” indicating the Master-Unit is ready to learn or register a new device.
3. While the Master-Unit is in the **LEARN** mode, press and hold the new doorbell button for about 5-seconds until the Master-Unit beeps, confirming registration is successful.
4. Press the **RESET/SNOOZE** button to end the Learn process
5. Test the new doorbell by pressing its button.

## **17. Technical Specifications**

1. Technology: 2.4 Ghz Smart-Code
2. Phone Ringing input: >40 vrms, 20 to 65 Hz
3. Phone jack type: RJ-11
4. Bed-shaker output jack: 9vdc, 150 ma
5. Alarm/NOAA input jack: Input impedance greater than 5.6K ohm, 15 vdc max input (active low)
6. External Lamp Control output jack: 9vdc, 150 ma
7. Back-up batteries: 4 AA size NiMH batteries (user provided); 48 hours backup
8. Doorbell battery: (CR2032 lithium) lasts 8-12 months
9. DC input: 9vdc, 1000 mADC
10. Operating temperature 10 to 30° C
11. Storage temperature -10 to 40° C

## **18. Display Messages:**

1. bOSS: Indicates **CentralAlert™** is a “Master-Unit.”
2. Sub: Indicates an accessory unit or a subordinate unit
3. dr-n: Indicates a doorbell unit number
4. AS-n: Indicates an audio sensor unit number
5. bAtt: Low battery warning for radio sensors
6. bS-n: Indicates a baby sound sensor unit number
7. CELL: Indicates a cell phone sensor
8. NOAA: Indicates a weather alert radio input or sensor
9. SOS: SOS signal input or activated
10. LEAr: Master-Unit is in Learn mode
11. AL 1: Alarm 1 setting
12. AL 2: Alarm 2 setting
13. ALL: Speaker, shaker and flasher are all selected
14. SHA: Shaker and flasher are selected
15. OFF: Alarm is switched to “**OFF**”
16. Stop: Stopped (for alarm clock or audio sensor low battery)

- 17. PH 1: Phone 1 ringing
- 18. PH 2: Phone 2 ringing
- 19. SEt: Set time
- 20. rUN: Normal clock **RUN** more
- 21. ON: Optional motion sensor input is **ON** or enabled
- 22. OFF: Optional motion sensor input is **OFF** or inactive
- 23. dEL: Delete or un-register all accessories learned

## **19. FAQ:**

1. Must I install batteries in **CentralAlert™**?  
**Ans:** Batteries are for power outage back-up. The unit works without any batteries but it is strongly recommended that you install batteries.
2. What type of batteries does it need?  
**Ans:** Please install rechargeable batteries only. Use of regular or non-rechargeable batteries will cause battery leakage, damage unit, and void the product warranty!
3. What is the battery back-up time?  
**Ans:** About 48 hours.
4. Is it alright to place **CentralAlert™** on a metal surface?  
**Ans:** No! Only place **CentralAlert™** on a non-metallic surface. A metal surface attenuates wireless signal transmission and reduces **CentralAlert™** operating distance.
5. Is the wireless doorbell water-resistant?  
**Ans:** Yes, it is water resistant because it is protected with a rubber gasket. However, do not submerge in water.
6. How long does the doorbell battery last?  
**Ans:** About 8 to 12 months. Replace battery when its transmit indicator becomes dim or if its operation becomes less consistent.
7. How many doorbell units can **CentralAlert™** support?  
**Ans:** It can support a total of 4 units in any combination of doorbell (Model CA-DB) and door knock sensor (Model CA-DX).



8. How about other accessories?

**Ans:** In addition to the doorbell, the system can support up to 10 Remote-Receivers (CA-RX), 10 Personal pagers (CA-PX), 10 audio sensors (CA-AX), 4 SOS pendants (CA-SOS), 3 Baby-Sound sensors (CA-BX), 1 Cell-phone sensor (CA-CX), and 1 NOAA sensor (CA-NOAA).

9. I just bought an extra doorbell for my **CentralAlert™** but it did not work. What do I need to do?

**Ans:** All new accessory devices must be registered or learned by a **CentralAlert™** Master-Unit before they can be recognized or worked. See page 10 in this manual for instructions as how to register an accessory device.

10. I bought four **CentralAlert™** systems for my home. Can I combine them into a single system?

**Ans:** Yes you can. You need to convert three of the **CentralAlert™** units from “Master-Unit” into a “Remote-Receiver” so they can be registered or learned by the remaining “Master-Unit.” This is a two step process:

The first step below **(A)** is to clear any previously learned accessory device. The second step **(B)** changes the unit into a “Remote-Receiver.” Please follow these steps or contact Serene’s Customer Service Department for help.

**A). Clear internal memory:**

1. Power up the unit and place **SET** switch on the **RUN** position.
2. Press and hold **SOS/Test** button on the unit for 6 seconds until display reads “**LEAR.**” Now press and release **SOS/Test** button 16 times in quick succession to clear its internal memory.

**B). Change into a Remote-Receiver:**

1. Now slide **SET** switch to **TIME** position, then press & hold **MOTION** button for 6 seconds until display reads “**SUB**” (subordinate) indicating it is now a “Remote-Receiver.” Verify that its “Master-Unit” indicator is now off.

2. A Remote-Receiver is an accessory device; it must be learned or registered by a “Master-Unit” before it can be recognized. See page 10 in this manual for instructions as how to register an accessory device.
3. When implemented correctly, this combined system will have one “Master-Unit,” three “Remote-Receivers,” and four doorbells.

## **20. Accessories For the CentralAlert™ Master unit:**

Model CA-AX:	A wireless audio alarm sound monitor
Model CA-BX:	A real-time wireless baby-crying sound monitor
Model CA-CX:	A wireless cell-phone ringing detector
Model CA-DB:	An wireless door-bell unit
Model CA-DX:	A wireless door knocking sensor
Model CA-LX:	An external lamp module allowing <b>CentralAlert™</b> to control a 100 watt desk lamp
Model CA-MX:	A wireless motion sensor to detect a person walking
Model CA-NOAA:	A wireless NOAA (weather alert) radio output monitor
Model CA-RX:	A compact personal receiver unit (with no clock display) that performs the same receiving and alerting functions as a <b>CentralAlert™</b> unit.
Model CA-SOS:	A wireless personal pendent for paging help.
Model BS-100:	An extra bed-shaker
Model 4AA-BATT:	A pack of four AA size NiMH rechargeable batteries

## **21. FCC Information for USA customers only**

This equipment complies with Part 68 of the FCC rules and the requirements adopted by the ACTA. On the bottom of this equipment is a label that contains, among other information, a product identifier of [US: XXXXXXXXX]. If requested, this number must be provided to the telephone company. If this equipment, Model CA-xx, causes harm to the telephone network, the telephone company will notify you in advance that temporary discontinuance of service may be required.

But if advanced notice isn't practical, the telephone company will notify the customer as soon as possible. Also, you will be advised of your right to file a complaint with the FCC if you believe it is necessary. The telephone company may make changes in this facility's equipment, operations or procedures that could affect the operation of the equipment. If this happens the telephone company will provide advanced notice in order for you to make the necessary modifications to maintain uninterrupted service. If you experience trouble with this equipment, disconnect it from the network until the problem has been corrected or until you are sure that the equipment is not malfunctioning. Please follow instructions for repair, if any (e.g., battery replacement section); otherwise do not alternate or repair any parts of device except as specified. Connection to party line service is subject to state tariffs. Contact the State Public Utility Commission, Public Service Commission or Corporation Commission for information. If the telephone company requests information on what equipment is connected to their lines, inform them:

- A. The telephone number that this unit is connected to,
- B. The ringer equivalence number [REN],
- C. The USOC jack required [RJ11C], and
- D. The FCC Registration Number [US: XXXXXXXXX].

Items (B) and (D) are indicated on the label. The ringer equivalence number (REN) is used to determine how many devices can be connected to your telephone line. In most areas, the sum of the RENs of all devices on any one line should not exceed five (5.0). If too many devices are attached, they may not ring properly.

## **1. Warranty service information**

Your **CentralAlert™** comes with one-year limited warranty. We warrant during this warranty period – from the date of purchase to the original consumer – the **CentralAlert™** is free from defects in materials and workmanship under intended home use. In the event that **CentralAlert™** fails to function properly within one year of the original purchase, due

to defects in materials or workmanship, return the unit (freight prepaid) with proof of purchase (sales receipt or packing slip, no exceptions) to Serene Innovations. Serene Innovations will either repair or replace the unit (with a refurbished unit or a unit of equal condition) and return it to you (using UPS/USPS ground shipping) at no cost to you, if the unit is returned within 30 days of purchase. If the unit is returned after 30 days of purchase, but within the warranty period, there will be a warranty handling charge of \$9.95 for each return.

**Incidental or Consequential Damages:** Neither Serene Innovations, Inc., nor the retailer, dealer, or selling distributor has any responsibility for any incidental or consequential damages, including, without limitation, commercial loss of profit, or for any incidental expense, loss of time, or inconvenience. Some states do not allow exclusion or limitation of incidental or consequential damage, so the above limitation or exclusion may not apply to you.

This warranty does not apply to any product that has been accidentally damaged, abused, misused or neglected, used on electrical frequency or voltage other than marked on product and/or described in manual. Defects or errors caused by unauthorized alterations, repairs, and/or tampering are also not covered by this warranty.

This Warranty gives you specific legal rights, and you may also have other legal rights that vary from state to state.

If a defect covered by this warranty should occur, promptly contact a Customer Care Representative by phone, or log onto [www.sereneinnovations.com](http://www.sereneinnovations.com) to obtain a Return Authorization Number (RAN) and shipping instructions before shipping the product to us. Any shipment without a RAN will not be accepted and will be returned to you at your expense. Any authorized returned product must be accompanied by a proof of purchase and a brief explanation of the problem.

For out-of-warranty repair and service, please contact our Customer Care Department for instructions.

## **2. This equipment complies with Part 68 of the FCC Rules.**

On the equipment is a label that contains, along with other information, the FCC Registration Number and Ringer Equivalence Number (REN) for this equipment. If requested, this information must be provided to your telephone company.

This equipment uses the following Universal Service Order Codes ("USOC") jacks: RJ-11. Connection to the telephone network should be made by using standard modular telephone jack type RJ11.

The REN is useful to determine the quantity of devices you may connect to your telephone line and still have all of those devices ring when your telephone number is called. In most, but not all areas, the sum of the RENs of all devices connected to one line should not exceed five (5.0). To be certain of the number of devices you may connect to your line, as determined by the REN, contact your local telephone company to determine the maximum REN for your calling area.

If your telephone equipment causes harm to the telephone network, the telephone company may discontinue your service temporarily. If possible, they will notify you in advance. But if advanced notice is not practical, you will be notified as soon as possible. You will be informed of your right to file a complaint with the FCC.

Your telephone company may make changes in its facilities, equipment, operations or procedures that could affect the proper functioning of your equipment. If they do, you will be notified in advance to give you an opportunity to maintain uninterrupted telephone service.

In the event this equipment should fail to operate properly, disconnect the unit from the telephone line. Try using another FCC approved telephone in the same telephone jack. If the trouble persists, call the telephone company repair service bureau.

If the trouble persists and appears to be with this unit, disconnect the unit from the telephone line and discontinue use of the unit until it is repaired. For repair or warranty information, please contact Serene Innovations, Inc. at 562- 407 5400. Please note that the telephone company may ask that you disconnect this equipment from the telephone network until the problem has been corrected or until you're sure that the equipment is not malfunctioning.

There are no user serviceable parts in this equipment.

This equipment may not be used on coin service provided by the telephone company. Connection to party lines is subject to state tariffs. Contact the state Public Utility Commission, Public Service Commission for information.

If your home has specially wired alarm equipment connected to the telephone line, ensure the installation of this equipment does not disable your alarm equipment. If you have questions about what will disable alarm equipment, consult your telephone company or a qualified installer.

### **Part 15 of FCC Rules Information**

This device complies with Part 15 of the FCC rules. Operation is subject to the following two conditions: (1) this device may not cause harmful interference, and (2) this device must accept any interference received, including interference that may cause undesired operation. This equipment has been tested and found to comply with the limits of a Class B digital device, pursuant to Part 15 of FCC rules. These limits are designed to provide reasonable protection against harmful interference in residential installation.

This equipment generates, uses, and can radiate radio frequency energy and, if not installed and used in accordance with the instructions, may cause harmful interference to radio communications. However, there is no guarantee that interference will not occur in a particular installation. If this equipment does cause harmful interference to radio or television reception, which can be determined by turning the equipment off and on, you may try one of the following methods to correct the interference:

1. Where it can be done safely, re-orient the receiving television or radio antenna.
2. To the extent possible, relocate the television, radio, or other receiver, with respect to the cordless phone.
3. Connect the cordless phone AC adapter into a different electrical outlet.
4. Consult the dealer or an experienced radio/TV technician for help. **Modification:** Any modification not expressly approved by the manufacturer of this device could void the user's authority to operate the device.

### **3. NOTICE: The Industry Canada label identifies certified equipment.**

This certification means that the equipment meets telecommunications network protective, operational, and safety requirements as prescribed in the appropriate Terminal Equipment Technical Requirements document(s). The Department does not guarantee the equipment will operate to the user's satisfaction.

Before installing this equipment, users should ensure that it is permissible to be connected to the facilities of the local telecommunications company. The equipment must also be installed using an acceptable method of connection. The customer should be aware that compliance with the above conditions may not prevent degradation of service in some situations.

Repairs to certified equipment should be coordinated by a representative designated by the supplier. Any repairs or alterations made by the user to this equipment, or equipment malfunctions, may give the telecommunications company cause to request that the user disconnect the equipment. Users should ensure, for their own protection, that the electrical ground connections of the power utility, telephone lines, and internal metallic water pipe system, if present, are connected together. This precaution may be particularly important in rural areas.

**Caution:** Users should not attempt to make such connections themselves, but should contact the appropriate electric inspections authority, or electrician, as appropriate. The REN for this amplified telephone is stated on the IC regulatory label located on the bottom of the product.

**NOTICE:** The Ringer Equivalence Number (REN) assigned to each terminal device provides an indication of the maximum number of terminals allowed to be connected to a telephone interface. The termination on an interface may consist of any combination of devices, subject only to the requirement that the sum of the Ringer Equivalence Numbers of all the devices does not exceed 5.

This Class B digital device complies with Canadian ICES-003.



SERENE®

Guide de l'utilisateur

CentralAlert™

Modèle CA-360

Système d'alertes visuelles



Modèle  
CA-360

## Operating Guide

Merci d'avoir acheté ce produit,  
veuillez lire avant utilisation

(Conserver ce manuel pour référence ultérieure)

# Content

# Table des matières

1. Caractéristiques de <b>CentralAlert™</b> .....	25
2. Instructions de sécurité importantes.....	26-27
3. Généralités.....	27-28
4. Contenu de l'emballage.....	28
5. Détail des contrôles.....	29
6. Installer et tester l'unité centrale.....	30
7. Ajuster l'heure.....	31
8. Ajuster l'alarme.....	31
9. Sélectionner le mode 12/24 heures.....	32
10. Tester les fonctions du téléphone.....	32
11. Sonnette et test.....	33
12. Changer les piles de la sonnette.....	34
13. Fonction SOS/Test (Aide) .....	34
14. Connexion directe à la radio NOAA (Alerte météo) ou un septém d'alacone externe.....	34-35
15. Connexion directe au module de lampe externe, CA-LX....	35
16. Ajouter une sonnette sans fil supplémentaire.....	36
17. Caractéristiques techniques.....	36
18. Messages de l'afficheur .....	37
19. FAQ.....	37-38
20. Accessoires pour l'unité centrale <b>CentralAlert™</b> .....	40
21. FCC Informations /garantie, etc.....	40-46

## **1. Caractéristiques de CentralAlert™ :**

1. Technologie Smart-Code 2.4 GHz sans fil – couverture à 360° de toute la maison.
2. Le système d'alertes visuelles avancé vous averti pour les sons quotidiens:
  - Réveil
  - Pleurs de bébé
  - Sonnette
  - Alarme sonores
  - Téléphone/fax/cell./appel vidéo
  - Alerte météo (Alarme externe)
  - Détecteur de mouvement
  - Téléavertisseur d'urgence et plus
3. Plusieurs sorties d'alerte:
  - Haut-parleur puissant
  - Icônes visuels
  - Clignotant lumineux
  - Messages numériques
  - Agitateurs de lit
4. Affichage numérique lumineux de 1.25" avec un réglage double alarme (format 12/24 h).
5. Horloge à gradation automatique pour un affichage plus doux la nuit.
6. Prises avec deux sorties pour agitateurs de lit (un agitateur de lit est inclus).
7. Technologie Smart-Code sans fil qui supporte des milliers de systèmes.
8. Conception d'une antenne interne pour une utilisation de longue portée.
9. Deux prises de téléphone pour des téléphones/fax/vidéo séparés.
10. Port de sortie pour contrôler un module de lampe de 100 Watt (module optionnel).
11. Utilise une technologie d'ondes carrées de 520 Hz pour une sortie d'alerte audio maximum.\*
12. Lampe de poche intégrée.
13. Port d'entrée pour une interface directe avec NOAA (radio d'alerte météo) ou l'entrée d'alarme externe.

14. Radio messagerie de secours (aide) 2 voies.
15. Installation simple – il suffit de brancher et d'utiliser.
16. Batteries de secours offrant 48 heures de fonctionnement complet (batteries non incluses)
17. Fonctionne 110/240 VAC, 50/60 Hz.

**Note:**

\*Selon une étude de la Fire Protection Foundation datant de juin 2007 les ondes carrées à basse fréquences (telles que 520 Hz) sont plus efficaces pour alerter les personnes malentendantes.

**2. Instructions de sécurité importantes:**

Pour éviter les risque de feu, de choc électrique ou les blessures en utilisant le modèle de **CentralAlert™** Modèle CA-360, des précautions de bases devraient être suivies, incluant les suivantes:

1. Lire toutes les instructions avant d'utiliser l'appareil.
2. Ne pas fixer ou placer l'unité centrale sur une surface métallique. Le métal peut réduire la transmission du signal sans fil.
3. Ce produit fonctionne avec des batteries rechargeables. Ne pas utiliser des piles non-rechargeables puisque ce type de charges peut faire couler les piles.
4. Toujours déconnecter le fil de téléphone de la prise avant de changer / d'installer les batteries.
5. Pour réduire le risque de blessure, une supervision étroite est nécessaire lorsque l'appareil est utilisé près des enfants.
6. Pas de contact avec les pièces mobiles ou les surfaces métalliques exposées.
7. Utiliser seulement les attaches recommandées / vendues par le manufacturier.
8. Ne pas utiliser à l'extérieur. Ne pas utiliser à proximité de l'eau.
9. Pour déconnecter, mettre tous les contrôle à «off», puis déconnecter la fiche de la prise.
10. Ne pas débrancher l'unité en tirant sur le cordon d'alimentation. Saisir la fiche, pas le cordon.

11. Débrancher l'appareil lorsque non utilisé et avant l'entretien ou le nettoyage.
12. Ne pas faire fonctionner un appareil dont le câble d'alimentation ou la fiche est endommagé; ne pas faire fonctionner un appareil suite à un dysfonctionnement, une chute ou un bris quelconque. Retourner l'appareil au centre de service autorisé le plus près pour examen, réparation ou ajustement électrique / mécanique.
13. Éviter d'utiliser un appareil téléphonique pendant un orage électrique. Il y a risque de choc électrique dû à la foudre.
14. Ne pas utiliser le téléphone pour signaler une fuite de gaz tandis que vous êtes encore à proximité de la fuite.
15. Les caractéristiques de ce produit sont sujettes à changement sans préavis.

### **3. Généralités:**

Le modèle CA-360 de **CentralAlert™** est un système d'alertes visuelles sans fil pour les malentendants. Il sert aussi d'horloge à deux alarmes avec un large affichage numérique de 1.25" (de couleur verte). Il utilise une technologie avancée exclusive Smart-Code et fonctionne dans une bande de 2.4 GHZ. Cette technologie offre une réponse rapide et opère sur une longue portée. Il peut supporter des milliers de systèmes sans avoir besoin d'interrupteurs de choix de canal.

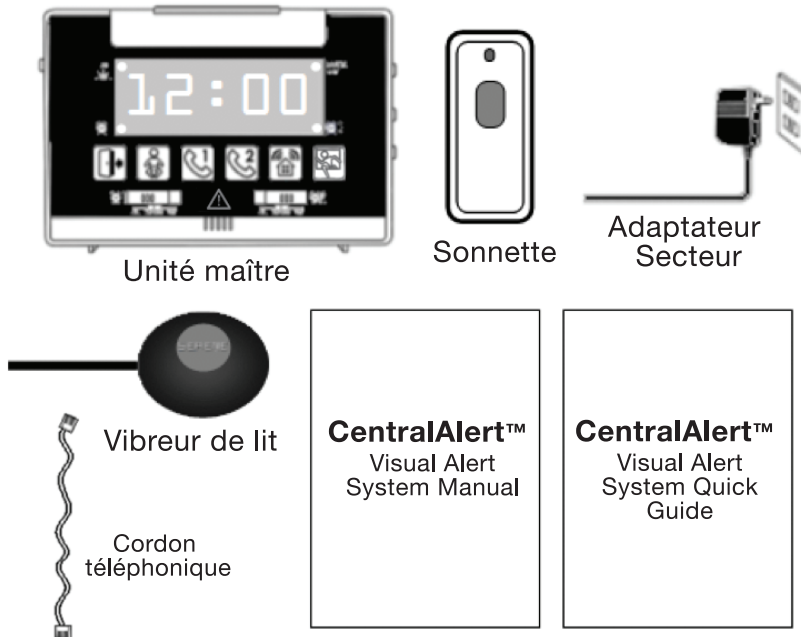
Le système alerte les usagers de dix (10) ménages des fonctions / événements en utilisant cinq (5) sorties d'alerte: haut-parleur, clignotant, agitateur de lit, icônes, messages numériques. L'affichage numérique indique le nom de la fonction activée. (Certaines fonctions requièrent l'achat d'un accessoire optionnel.)

Le système standard comprend : une unité centrale, une sonnette sans fil, un agitateur de lit, un adaptateur AC, un fil de téléphone, ce manuel et un guide rapide. La sonnette sans fil est déjà reconnue par l'unité centrale. Le système complet est prêt à être utilisé.

Des détecteurs sans fil additionnels, des agitateurs de lit et des récepteurs à distance peuvent être achetés pour couvrir une maison plus grande ou un bureau. Les nouveaux détecteurs doivent être enregistrés à l'unité centrale pour qu'ils soient reconnus (voir «Ajouter une sonnette sans fil supplémentaire»).

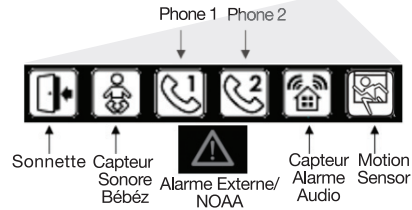
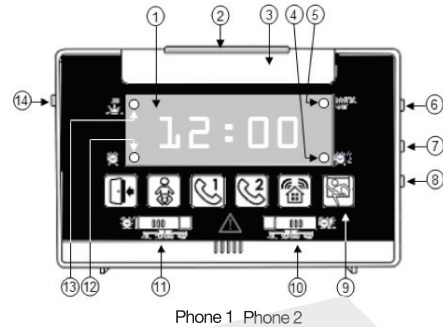
Quatre batteries rechargeables AA NiMH (non incluses) procurent 48 heures d'alimentation de secours.

#### 4. Contenu de l'emballage :

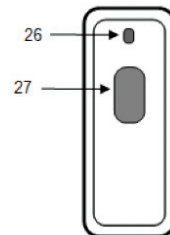
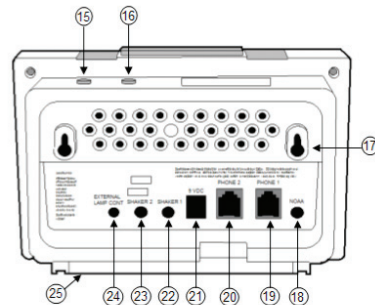


## 5. Détail des contrôles:

1. Affichage de l'horloge (1.25" de haut)
2. Bouton Reset/Snooze
3. Clignotant
4. Voyant "ON" de l'alarme 2
5. Voyant de l'unité centrale
6. Commutateur de réglage
7. Heure
8. Minute
9. Icônes des accessoires (7)
10. Interrupteur de l'option réveil de l'alarme 2
11. Interrupteur de l'option réveil de l'alarme 1
12. Voyant "ON" de l'alarme 1
13. Voyant lumineux A.M.
14. Hi – Low – Off (haut-parleurs)
15. Détecteur de mouvements (ON/OFF)



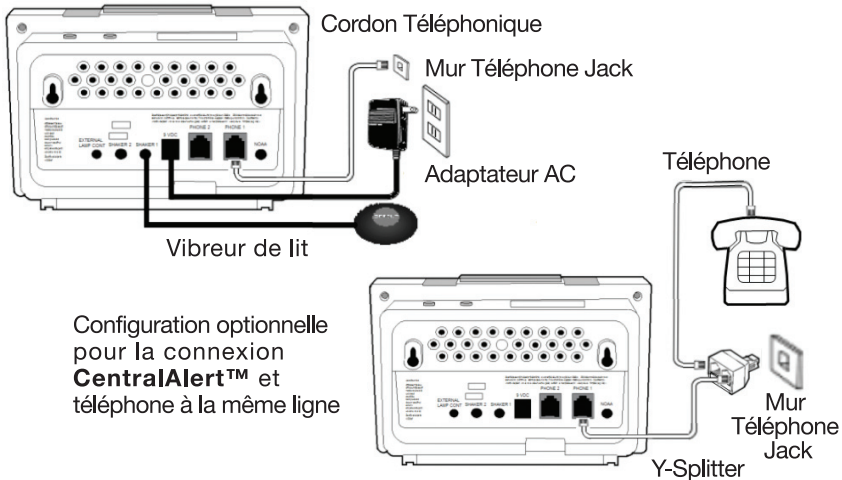
16. Bouton **SOS/Test**
17. Trous pour fixer au mur
18. Port d'entrée **Alarm/NOAA** (pour connecter à la radio d'alerte météo ou l'entrée d'alarme externe)
19. Prise du téléphone 1
20. Prise du téléphone 2
21. Port de l'adaptateur AC (9 vdc, 1000 ma)
22. Port de l'agitateur 1
23. Port de l'agitateur 2
24. Port pour le module de lampe externe (le module de lampe est un accessoire optionnel)
25. Compartiment pour batteries (en-dessous)
26. Voyant de transmission (sonnette)
27. Bouton de sonnette (sonnette)



Sonnette sans Fil



## 6. Installer et tester l'unité centrale:



Configuration optionnelle  
pour la connexion  
**CentralAlert™** et  
téléphone à la même ligne

1. Insérer quatre batteries **rechargeables NiMH AA** (non fournies) dans le compartiments à batteries sous l'unité.

*Avertissement: Ne pas utiliser de piles standards puisque ce type de charges peuvent faire couler les piles et endommager l'unité centrale **CentralAlert™**. (L'unité fonctionne sans batteries. Elles peuvent être insérer ultérieurement en prévention des les pannes de courant).*

2. Brancher l'adaptateur AC dans la prise électrique la plus près et le connecter à l'unité centrale **CentralAlert™** tel qu'illustré.
3. Connecter l'agitateur de lit au port de sortie **SHAKER-1**.
4. Connecter le fil de téléphone à la prise **PHONE-1** à l'arrière de l'unité centrale, puis brancher dans la prise téléphonique murale.
5. Régler les **SPEAKER** (🔊 sur le côté gauche de l'unité) au volume désiré (**Hi-Lo-Off**).
6. Appuyer sur le bouton **SOS/Test** sur le dessus de l'unité pour tester. Vérifier que les indicateurs d'alertes (haut-parleur, clignotants, agitateur et affichage) fonctionnent 45 secondes et arrêtent. (Appuyer sur le bouton **SNOOZE/RESET** pour arrêter avant.)

- Vérifier que le clignotant peut être activé et désactivé à l'aide du bouton **SNOOZE/RESET**.
- Vérifier que l'indicateur de l'unité centrale «Master-Unit» est encore à «ON».

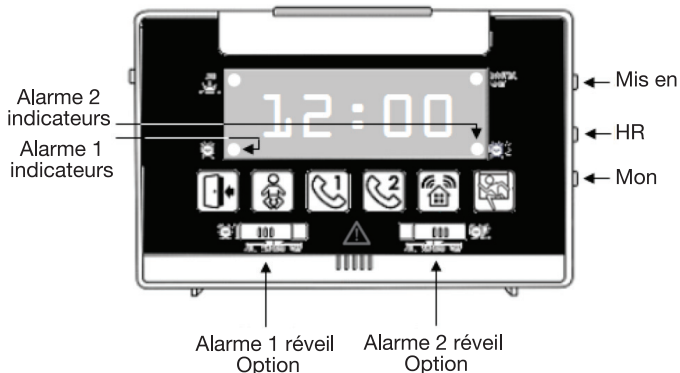
## 7. Ajuster l'heure:

- Glisser le commutateur **SET** (du côté droit de l'unité) en position **TIME** et appuyer sur les boutons **HR** et **MIN** pour ajuster l'heure. Chaque pression avance de un. En maintenant enfoncé, les chiffres avancent en continu.
- Une fois l'ajustement terminé, glisser le commutateur **SET** en position **RUN**.



## 8. Ajuster l'alarme:

- Glisser le commutateur **SET** (du côté droit de l'unité) en position **Alarm-1 (AL 1)** et ajuster l'heure de l'alarme en utilisant les boutons **HR** et **MIN**.
- Après avoir complété l'ajustement, glisser le commutateur **SET** en position **RUN** pour revenir au fonctionnement normal de l'horloge.
- Régler l'option de réveil à l'aide du commutateur sur le panneau avant à **SHAKER** ou **ALL**. L'option **SHAKER** réveille via «l'agitateur de lit et le clignotant seulement». L'option **ALL** réveille via «l'agitateur de lit, le clignotant et le haut-parleur». Lorsque l'alarme se déclenche, l'affichage indique «**AL 1**» (ou **AL 2**).



(**Note:** Les indicateurs d'alarme 1 & 2 resteront allumés quand **ALL** ou **SHAKER** est sélectionné.)

4. Au temps réglé, le réveil fonctionnera pour 45 secondes puis s'arrêtera pour 5 minutes. Cette séquence sera répétée pendant une heure.
5. Lorsque le réveil est activé, une courte pression du bouton **SNOOZE / RESET** permet un sursis de 5 minutes.
6. Une longue pression (2 secondes) de ce même bouton éteint l'alarme jusqu'au jour suivant. (L'affichage indique «**Stop**»)
7. Glisser le commutateur de réveil du panneau avant à la position **OFF** pour éteindre l'alarme définitivement.

### **9. Sélectionner le mode 12 / 24 heures:**

1. L'horloge peut être réglée en mode 12 ou 24 heures (U.S. ou Europe).
2. Par défaut, l'horloge est réglée en mode 12 heures.
3. Pour changer de mode, glisser l'interrupteur **SOS/Test** en position **TIME** et appuyer sur le bouton pendant 5 secondes.
4. Répéter l'étape 3 pour revenir au mode 12 heures.
5. Glisser l'interrupteur **SET** en position **RUN** le fonctionnement normal de l'horloge.

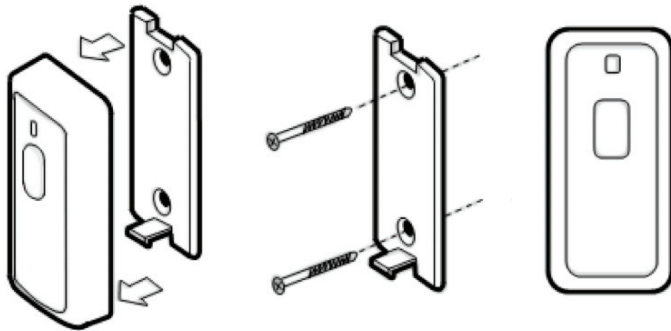
### **10. Tester les fonctions du téléphone:**

1. Faire un appel au numéro de téléphone qui correspond à **PHONE -1**.
2. Vérifier que toutes les alarmes répondent correctement lorsque le téléphone sonne.
3. Vérifier qu'en répondant à l'appel (à partir de n'importe quel téléphone), toutes les alarmes cessent immédiatement.

4. La prise **PHONE -2** est disponible pour connecter une deuxième ligne téléphonique. Cette deuxième ligne peut être une ligne téléphonique normale, une ligne de télécopieur ou une ligne de vidéo-conférence.

## **11. Sonnette et test:**

1. Activer le bouton de la sonnette à 50 pi de l'unité centrale **CentralAlert™**. Confirmer que toutes les alarmes réagissent correctement et durent pour 45 secondes. Vérifier que l'affichage indique dr – n, où n est le numéro de la sonnette (sinon, voir la section «Ajouter une sonnette sans fil supplémentaire au système» à la page 9)
2. Séparer les plaques de fixation de la sonnette et installer la plaque près de la porte en utilisant deux vis à bois (non fournies) tel qu'illustré ci-bas.
3. Terminer l'installation en repositionnant la sonnette sur la plaque de fixation.



1. Appuyer sur le loquet pour séparer la sonnette de la plaque

2. Fixer la plaque à la porte ou au mur à l'aide de deux petites vis

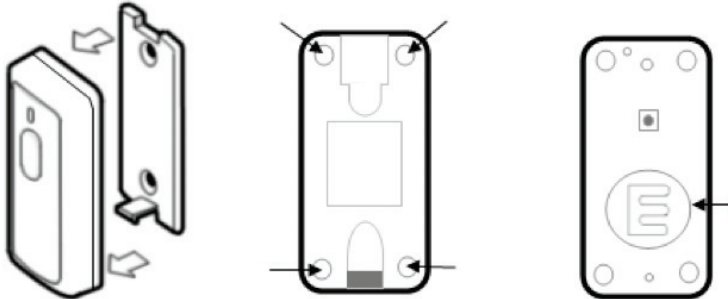
3. Repositionner la sonnette sur la plaque

**Note:** Ne pas fixer la sonnette sur une surface métallique puisque celle-ci diminue la transmission du signal sans fil.

## 12. Changer les piles de la sonnette:

Normalement, les piles (CR2032, 3 volt lithium) de la sonnette durent 8 à 12 mois. Cette pile doit être remplacée si la sonnette ne fonctionne pas toujours ou si l'indicateur de transmission s'atténue.

Pour changer la pile, voir le diagramme ci-bas:



1. Appuyer sur le loquet pour séparer la sonnette de la plaque

2. Dévisser les vis des coins, séparer la section centrale

3. Insérer la pile entièrement dans le compartiment à pile et réassembler

**Note:** La pile est dans la bonne position si les écritures sont vers le haut.

## 13. Fonction SOS/Test (aide)


En appuyant sur le bouton **SOS/Test**, ou sur un pendentif personnel (modèle CA-SOS), un signal sans fil est envoyé pour activer toutes les alarmes **SOS** sur toutes les unités

**CentralAlert™** du système.

## 14. Connexion directe à une radio NOAA (alerte météo) ou l'entrée d'alarme externe

\***CentralAlert™** est compatible avec les radios NOAA qui possèdent une prise de sortie de 3.5 mm. (*modèle WR-120 de Midland; modèle 12-382 de Radio Shack; First Alert modèle WX-150 de First Alert; CL-100 de Sangean peuvent avoir une prise d'alerte*)

S'il vous plaît, noter que la mise en place pour le bon fonctionnement d'une radio **NOAA** nécessite une bonne compréhension de la façon dont fonctionne une radio d'alerte météorologique. S'il-vous-plaît, consulter le manufacturier de la radio pour le support technique. *Ni Serene Innovations, Inc., ni ses distributeurs ne sont responsables des conséquences reliées à l'achat ou à l'utilisation de ces radios.*

\* L' "Alarm / NOAA" dans le cric est également compatible avec un système d'alarme où un "Normale Ouverte" contact de relais est available. Lorsqu'il est correctement connecté, une passagère "Fermer" ou "Court" sur le contact du relais active  icône et toutes les sorties d'alerte. S'il vous plaît consulter un installateur d'alarme sur la connexion d'alarme.

### **Installation:**

1. Connecter un bout d'un câble 3.5-mm (non fourni) au port d'entrée **NOAA** sur la **CentralAlert™**.
2. Connecter l'autre bout à la prise de sortie d'une radio d'alerte **NOAA**.
3. Vérifier que l'alerte de la radio déclenche **CentralAlert™** lors d'un test de prévision du Service de météorologie national. Le Service de météorologie national (NWS) diffuse une alerte de test chaque semaine, les mercredis entre 11 AM et 12 PM (midi).

## **15. Connexion directe à un module de lampe externe, modèle CA-LX**

**CentralAlert™** peut contrôler une lampe externe via le module optionnel de lampe externe (modèle CA-LX). L'utilisateur peut contrôler la lampe **ON/OFF** en utilisant le bouton **SNOOZE/RESET** sur la **CentralAlert™**. Le fonctionnement de cette lampe est synchronisé avec le clignotant.

## 16. Ajouter une sonnette sans fil supplémentaire au système

1. Une nouvelle sonnette sans fil (ou tout capteur sans fil) doit être identifiée (enregistrée) par l'unité centrale **CentralAlert™** avant d'être reconnue.
2. Avec le commutateur **SET** en position **RUN**, maintenir le bouton **SOS/Test** enfoncé pour 5 secondes, jusqu'à ce qu'il émette un bip. «**LEAR**» clignote sur l'affichage numérique indiquant que l'unité centrale est prête à identifier ou enregistrer un nouveau périphérique.
3. Quand l'unité centrale est en mode **LEARN**, maintenir le bouton de la nouvelle sonnette enfoncé pour environ 5 secondes jusqu'à ce que l'unité centrale émette un bip, confirmant que l'enregistrement est réussi.
4. Appuyer sur le bouton **RESET/SNOOZE** pour mettre fin au processus de reconnaissance.
5. Tester la nouvelle sonnette en appuyant sur son bouton.

## 17. Spécifications techniques

1. Technologie: Smart-Code 2.4 Ghz
2. Entrée sonnerie de téléphone: >40 vrms, 20 à 65 Hz
3. Type de prise téléphonique: RJ-11
4. Port de sortie de l'agitateur de lit: 9vdc, 150 ma
5. Port d'entrée **Alarm/NOAA**: Impédance d'entrée supérieure à 5.6K ohm, 15 vdc entrée maximum (bas actif)
6. Port de sortie du contrôle de la lampe externe: 9vdc, 150 ma
7. Batteries de secours: 4 batteries AA NiMH (non fournies); 48 heures de sauvegarde
8. Pile de la sonnette: (CR2032 lithium) dure 8 à 12 mois
9. Entrée DC: 9vdc, 1000 mADC
10. Température d'opération: 10 à 30° C
11. Température d'entreposage: -10 à 40° C

## 18. Messages de l'affichage:

1. bOSS: Indique que **CentralAlert™** est une unité centrale (Master-Unit)
2. Sub: Indique une unité accessoire ou subordonnée
3. dr-n: Indique le numéro d'une sonnette
4. AS-n: Indique le numéro d'un capteur audio
5. bAtt: Avertissement que la pile est faible pour le capteur radio
6. bS-n: Indique le numéro d'un détecteur de sons d'enfant
7. CELL: Indique le détecteur de téléphone portable
8. NOAA: Indique le capteur de radio d'alerte météo
9. SOS: Entrée d'un signal SOS ou activation du signal
10. LEAr: L'unité centrale est en mode de reconnaissance
11. AL 1: Réglage de l'alarme 1
12. AL 2: Réglage de l'alarme 2
13. ALL: Le haut-parleur, l'agitateur et le clignotant sont sélectionnés
14. SHA: L'agitateur et le clignotant sont sélectionnés
15. OFF: L'alarme est éteinte («**OFF**»)
16. Stop: Arrêt (pour le réveil ou la pile faible d'un capteur audio)
17. PH 1: Le téléphone 1 sonne
18. PH 2: Le téléphone 2 sonne
19. SEt: Réglage de l'heure
20. rUN: Mode de fonctionnement normale de l'horloge (**RUN**)
21. ON: Le détecteur de mouvement optionnel est activé (**ON**)
22. OFF: Le détecteur de mouvement optionnel est inactif (**OFF**)
23. dEL: Efface ou désenregistre tous les accessoires reliés

## 19. FAQ:

1. Dois-je mettre des batteries dans la **CentralAlert™**?  
**Rép.:** Les batteries servent en cas de panne de courant. L'unité fonctionne sans, mais il est fortement recommandé d'insérer des batteries.
2. Quel type de batterie est nécessaire?  
**Rép.:** Svp utiliser des **batteries rechargeables** uniquement. L'utilisation de piles standards ou non-rechargeables va causer des fuites de piles, endommager l'unité et annuler la garantie du produit!



3. Quel est la durée des batteries de secours?  
**Rép.:** Environ 48 heures.
4. Peut-on placer la **CentralAlert™** sur une surface métallique?  
**Rép.:** Non! Placer la **CentralAlert™** seulement sur une surface non-métallique. Une surface métallique atténue la transmission du signal sans fil et réduit la portée active de **CentralAlert's™**.
5. Est-ce que la sonnette sans fil est résistante à l'eau?  
**Rép.:** Oui, elle est résistante à l'eau puisqu'elle est protégée par un joint d'étanchéité en caoutchouc. Toutefois, ne pas immerger dans l'eau.
6. Combien de temps dure la pile de la sonnette?  
**Rép.:** Environ 8 à 12 mois. Remplacer la pile quand l'indicateur de transmission devient faible ou que le fonctionnement de la sonnette est moins constant.
7. Combien de sonnette **CentralAlert™** peut-elle supporter?  
**Rép.:** Elle peut supporter un total de 4 unités de n'importe quelle combinaison de sonnettes (modèle CA-DB) et capteur de heurtoir (modèle CA-DX).
8. Quoi dire des autres accessoires?  
**Rép.:** En plus des sonnettes, le système peut supporter jusqu'à 10 récepteurs à distance (CA-RX), 10 téléavertisseurs personnels (CA-PX), 10 capteurs audio (CA-AX), 4 pendentifs SOS (CA-SOS), 3 détecteurs de sons de bébé (CA-BX), 1 capteur de téléphone mobile (CA-CX), and 1 capteur NOAA (CA-NOAA).
9. Je viens tout juste d'acheter une sonnette supplémentaire pour ma CentralAlert™ mais elle ne marche pas. Que dois-je faire?  
**Rép.:** Tous les nouveaux périphériques doivent être enregistrés ou appris par l'unité centrale CentralAlert™ avant d'être reconnus ou fonctionnels. Voir la page 10 de ce manuel pour les instructions sur comment enregistrer un accessoire.
10. J'ai acheté quatre systèmes **CentralAlert™** pour ma maison. Puis-je les combiner en un seul système?

**Rép.:** Oui, vous pouvez. Vous devez convertir trois des unités **CentralAlert™** en récepteur à distance «Remote-Receiver» plutôt qu'unité centrale pour qu'elles.

puissent être enregistrées ou reconnues par l'unité centrale qu'il reste. C'est un processus en deux étapes:

La première étape ci-bas **(A)** consiste à effacer tout périphérique déjà relié à l'unité. La deuxième étape **(B)** est de convertir l'unité en une "Remote-Receiver." S'il-vous-plaît, suivez les étapes suivantes ou contactez le département de service à la clientèle de Serene pour de l'aide.

**A).** Effacer la mémoire interne:

1. Allumer l'unité et placer le commutateur **SET** en position **RUN**.
2. Maintenir le bouton **SOS/Test** enfoncé pendant 6 secondes jusqu'à ce que l'affichage indique "**LEAr.**" Maintenant, appuyer et relâcher le bouton **SOS/Test** 16 fois en successions rapides pour effacer sa mémoire interne.

**B).** Changer pour le mode récepteur à distance:

1. Maintenant, glisser le commutateur **SET** en position **TIME**, puis maintenir le bouton **MOTION** enfoncé pour 6 secondes jusqu'à ce que le moniteur affiche «**SUb**» (subordonné) indiquant que c'est maintenant un récepteur à distance. Vérifier que le voyant lumineux «unité centrale» (Master-Unit) est maintenant éteint.
2. Un récepteur à distance est un accessoire: il doit être relié ou enregistré à l'unité centrale avant d'être reconnu. Voir la page 10 de ce manuel pour les instructions sur comment enregistrer un périphérique.
3. Lorsque mis en oeuvre correctement, ce système combiné aura une unité centrale, trois récepteurs à distance et quatre sonnettes.

## 20. Accessoires pour l'unité centrale CentralAlert™:

- Modèle CA-AX: Un moniteur audio d'alarme sonore sans fil
- Modèle CA-BX: Un moniteur en temps réel de pleurs de bébé sans fil
- Modèle CA-CX: Un détecteur sans fil de sonnerie de téléphone mobile
- Modèle CA-DB: Une unité de sonnette sans fil
- Modèle CA-DX: Un capteur de heurtoir sans fil
- Modèle CA-LX: Un module de lampe externe permettant à **CentralAlert™** de contrôler une lampe de bureau de 100 watt
- Modèle CA-MX: Un capteur de mouvement sans fil qui détecte une personne qui marche
- Modèle CA-NOAA: Un moniteur de sortie radio NOAA (alerte météo) sans fil
- Modèle CA-RX: Un récepteur personnel compact (sans affichage de l'heure) qui effectue les mêmes fonctions de réception et d'alerte que **CentralAlert™**.
- Modèle CA-SOS: Un pendentif personnel sans fil pour demander de l'aide par téléavertisseur
- Modèle BS-100: Un agitateur de lit supplémentaire
- Modèle 4AA-BATT: Un paquet de quatre batteries rechargeables AA NiMH

## 21. Information de la FCC pour la clientèle états-unienne uniquement

1. Cet équipement est conforme à la partie 68 du règlement de la FCC et aux exigences adoptées par l'ACTA. Sur le fond de cet équipement, il y a une étiquette qui contient, entre autres informations, un identificateur de produit [US: XXXXXXXXX]. Si requis, ce numéro devra être fourni à la compagnie de téléphone.

2. Si cet équipement, Modèle CA-xxx, cause des dommages au réseau téléphonique, la compagnie téléphonique vous avertira à l'avance qu'une interruption temporaire du service peut être requise. Si l'avis à l'avance n'est pas possible, la compagnie téléphonique avertira le consommateur aussitôt que possible. En outre, vous serez informé(e) de votre droit de déposer une plainte à la FCC si vous le jugez nécessaire.
3. La compagnie de téléphone peut apporter des changements dans ses installations, son équipement, ses opérations ou ses procédures qui pourraient affecter le fonctionnement de l'équipement. Si cela arrive, la compagnie de téléphone vous préviendra à l'avance afin que vous fassiez les modifications nécessaires pour maintenir un service ininterrompu.
4. Si vous rencontrez des difficultés avec cet équipement, déconnectez-le du réseau jusqu'à ce que le problème soit réglé ou jusqu'à ce que vous soyez sûr(e) que l'équipement n'est pas défectueux.
5. Veuillez suivre les instructions de réparation lorsqu'il y en a (par exemple la section du remplacement des piles); autrement, ne changez pas ou ne réparez pas des pièces de l'appareil, sauf si spécifié.
6. La connexion à un service de ligne partagée est soumise aux tarifs locaux. Contactez la commission des services publics de l'état, la commission des fonctions publiques ou la commission d'entreprise pour de l'information.
7. Si la compagnie de téléphone demande de l'information sur l'équipement qui est connecté à ses lignes, informez-la sur :
  - A. Le numéro de téléphone auquel cet appareil est connecté,
  - B. Le numéro d'équivalence de la sonnerie [REN]
  - C. La prise USOC requise [RJ11C], et
  - D. Le numéro d'enregistrement de la FCC [US: XXXXXXXXX]

- E. Les articles (B) et (D) sont indiqués sur l'étiquette. Le numéro d'équivalence de la sonnerie (REN) est utilisé pour déterminer combien d'appareils peuvent être connectés à votre ligne téléphonique. Dans la plupart des régions, la somme des REN de tous les appareils d'une ligne ne doivent pas excéder cinq (5). Si trop d'appareils sont attachés, ils peuvent ne pas sonner correctement.

## **22. Information du service de garantie**

Cet équipement Modèle CA-xxx et fourni avec une garantie limitée de un an. Nous garantissons que durant cette période, à partir de la date d'achat, le propriétaire original du téléphone est protégé des défauts des pièces et mains d'œuvres, vous n'avez qu'à retourner l'appareil (frais de transport prépayés) avec une preuve d'achat (reçu de magasin ou reçu de colis) à Serene Innovations. Serene Innovations va soit remplacer ou réparer l'unité (avec des pièces neuves ou dans un état semblable) et vous le retourner (par UPS/Poste livraison par lien terrestre) sans frais si l'appareil est retourné dans un délai de 30 jours à partir de la date d'achat. Si l'appareil est retourné après les 30 jours, mais pendant la période de garantie, de frais de 9,95 \$ seront appliqués à chaque retour.

Cette garantie ne s'applique pas aux produits ayant été endommagés accidentellement, sur utilisés, mal utilisés ou utilisés de manière négligente, utilisés sur un voltage ou une fréquence électrique différente qu'indiqué sur le produit ou décrit dans le manuel. Les défauts et les erreurs causés par des modifications non autorisées, des réparations et/ou ouverture du boîtier ne sont également pas couverts par la garantie.

Cette Garantie vous donne des droits légaux spécifiques, et vous posséder également d'autres droits, dépendant de l'état dans lequel vous vivez.

Si une défectuosité couverte par cette garantie se produit, contactez rapidement un représentant de notre département de Service à la clientèle par téléphone ou visitez le [www.sereneinnovations.com](http://www.sereneinnovations.com) pour obtenir un numéro d'autorisation de retour (NAR) ainsi que les instructions d'envoi pour nous retourner le produit. Tous les envois sans numéro d'autorisation de retour ne seront pas acceptés et vous serez retournés à vos frais. Tous les produits autorisés pour un retour doivent être accompagnés par une preuve d'achat et une brève explication du problème. Pour plus de renseignement sur des réparations et services hors garantie, contactez notre département de Service à la clientèle.

Dans l'éventualité que cet appareil faillirait à son bon fonctionnement, déconnectez-le de votre ligne téléphonique. Utilisez un autre appareil approuvé par le FCC sur la même prise téléphonique. Si le problème persiste, veuillez contacter votre compagnie de téléphone.

Si le problème ne persiste pas et qu'il semble que votre appareil en était la cause, déconnectez l'unité de votre ligne téléphonique et ne l'utilisez plus jusqu'à ce qu'il soit réparé. Pour des informations sur les réparations ou la garantie, veuillez contacter Serene Innovations, Inc, au 562-407-5400. Veuillez noter que votre compagnie de téléphone peut vous demander de déconnecter votre appareil jusqu'à ce qu'il eut été réparé et que vous soyez certain que l'appareil ne soit pas défectueux.

Il n'y a aucune pièce de cet appareil qui peut être réparé par l'utilisateur.

Cet appareil ne doit pas être utilisé sur une ligne de téléphone public. La connexion sur une ligne partagée peut être sujette à des frais selon l'état. Veuillez contacter la commission des services publics de l'état ou la commission des services publics pour plus d'information.

Si vous possédez un système d'alarme connecté à votre ligne téléphonique, assurez-vous que cet appareil ne désactive pas votre système d'alarme. Si vous avez des questions à propos de ce qui pourrait désactiver votre système d'alarme, contactez votre compagnie de téléphone ou un technicien qualifié.

Cet appareil est compatible avec les appareils auditifs.

L'utilisation est sujette aux conditions suivantes :

**Cet appareil est conforme avec l'article 15 des règles du FCC.**

Environnement d'utilisation à la maison ou au bureau

1. Cet appareil ne peut causer d'interférence nuisible,
2. Cet appareil doit résister aux interférences, incluant celles qui pourraient causer un mal fonctionnement.

**Note :** Cet appareil a été testé et trouvé conforme avec les limites de la classe B des appareils numériques, en accord avec l'article 15 des règles du FCC. Ces limites sont pensées pour donner une protection raisonnable contre les interférences nuisibles dans les résidences.

Cet équipement génère, utilise et émet des fréquences radio, s'il n'est pas installé et utilisé selon les instructions fournies, pourrait créer des interférences radio dommageable. Cependant, il n'est pas garanti que des interférences n'auront pas lieu dans une installation particulière, et si cet appareil cause des interférences, ce qui peut être déterminé en alternant la marche/arrêt de l'appareil, l'utilisateur est encouragé à essayer de corriger les interférences par une ou plusieurs des moyens suivants :

- Réorientation ou déplacement de l'antenne.
- Augmentation de la distance entre l'appareil et le récepteur.
- Connexion de l'appareil sur un circuit différent de celui du récepteur.
- Consultation d'un détaillant ou d'un technicien radio/télé qualifié pour de l'aide.

**Modification :** Toute modification non expressément approuvée par le fabricant de cet appareil peut annuler la permission de l'utilisateur a utilisé cet appareil.

### **23. Note : Le logo d'Industrie Canada identifie les appareils qui ont été certifié.**

Cette certification signifie que l'appareil réponds aux demandes de sécurité, d'opération et de protection des réseaux de télécommunications, comme décrit dans les documents concernant les spécification techniques des équipements terminaux appropriés. Le département ne garantie pas que cet appareil va répondre aux attentes de l'utilisateur.

Avant d'installer cet appareil, les utilisateurs devraient s'assuré qu'ils ont la permission de se connecter au réseau de la compagnie de télécommunications. L'appareil doit aussi être installé et connecté selon des méthodes acceptables. Le client devrait être savoir qu'être conforme avec les conditions ci-dessus peut ne pas prévenir la détérioration du service dans certain cas.

Les réparations effectuées sur un appareil certifié devraient être effectué par un représentant désigné par le détaillant. Toutes réparations ou modifications fait par l'utilisateur sur cet appareil, ou mal fonctionnement de l'appareil peut donner à la compagnie de téléphone la nécessité de demander à l'utilisateur de débrancher l'appareil.



Les utilisateurs devraient s'assurer, pour leur propres protections, que les mises à terre des sources de courants, lignes téléphoniques et réseaux de plomberie métalliques interne, si présentes, soient toutes reliées entre elles. Cette précaution est particulièrement importante dans les régions rurales.

La class B des appareils numériques réponds à tous les exigences des règlements canadiens sur les appareils causant de l'interférence.

**Attention :** Les utilisateurs ne devraient pas tenter de faire des connections de mises à terre par eux-mêmes, mais devraient plutôt contacter un maître-électricien ou une autre autorité compétente approprié. Le REN pour ce téléphone amplifié, comme définie dans le logo IC situé sous le dessous d'appareil est REN #.

**Note :** L'indice de sonnerie équivalente (REN) donner a chaque terminal donne un nombre maximum de terminal permis de connexion a une interface téléphonique. Le nombre de terminal sur un ligne téléphonique peut consister de n'importe quel montant, sujette seulement à la limite REN maximum de 5.





**Serene Innovations, Inc.**

14731 Carmenita Road, Norwalk, CA. 90650

Toll Free: 866-376 9271, Fax: 560-483-2087

Website: [www.sereneinnovations.com](http://www.sereneinnovations.com)

Email: [Customercare@Sereneinnovations.com](mailto:Customercare@Sereneinnovations.com)