

Technical Manual

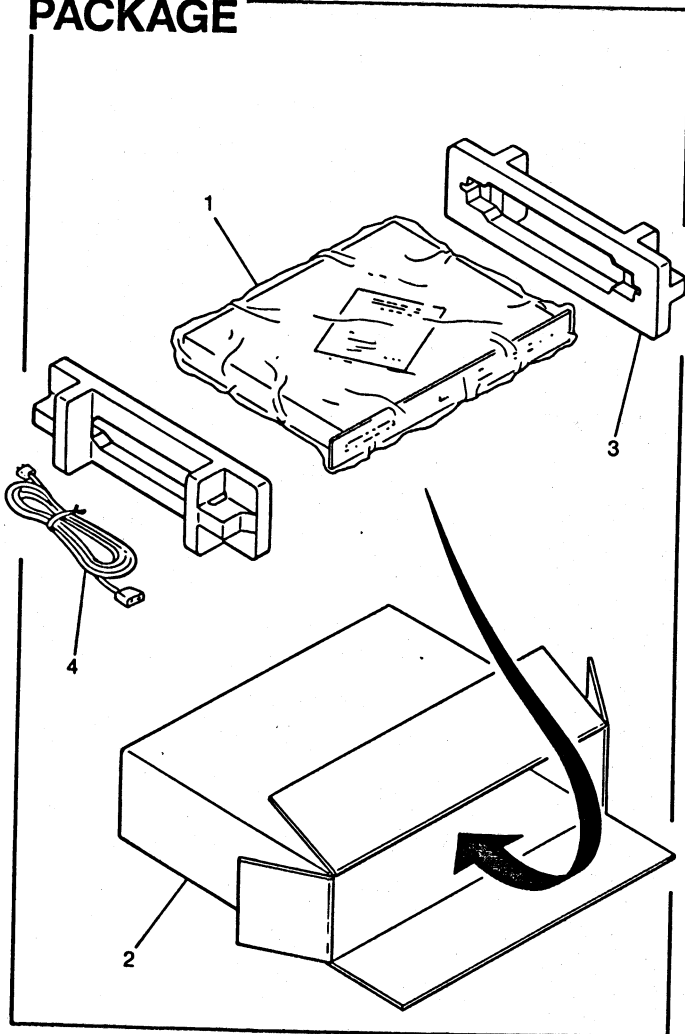


AUDIO DIGITAL ADD-2

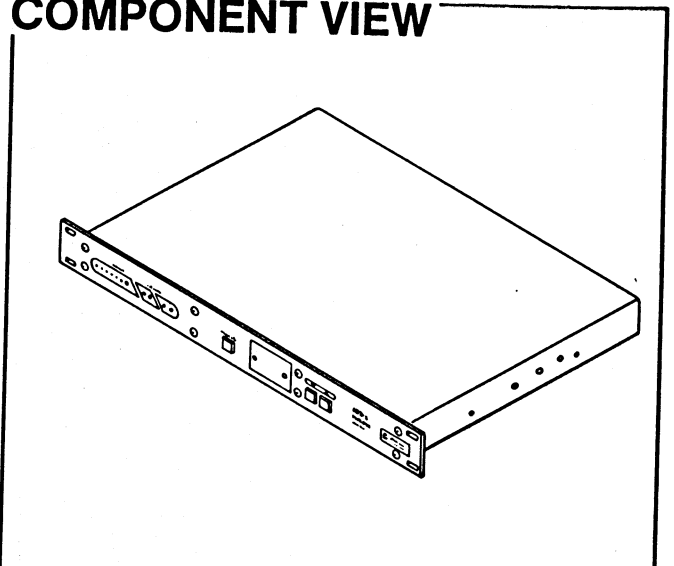
SPECIFICATIONS

- **Input:**
 - 10 K input impedance, electronically balanced
 - Gain control allows input levels from -5 dB to +22 dB
 - 3-pin XLR connector
- **Outputs:**
 - Electronically balanced, 600 ohm
 - Source impedance less than 60 ohm
 - Attenuation control adjusts from unity to -80 dB, output clip indicators to indicate output stage overdrive
 - 3-pin XLR connectors
- **Headroom Display:** Fast response 6-LED display with a -21 dB to 0 dB range (with at least 4 dB of headroom)
- **Frequency Response:** 20 Hz - 20kHz ± 5 dB (passband response is ± 5 dB, rolloff points are ± 3 dB) at all delays settings
- **Distortion (THD + Noise)—No Weighting:** Greater than .04 at 1 kHz, 0 dB out
- **Dynamic Range:** At least 92 dB at 1 kHz (un-weighted)
- **Delay Range:**
 - Microsecond Mode: 15 us steps to 9,900 us
 - Millisecond mode: 1 ms steps to 490 ms
- **Minimal Increment:** 15 us
- **Digital Conversion:** 16 bit linear PCM
- **Memory Retention:** Battery-backed non-volatile RAM retains all delay settings for at least 5 years
- **Power Requirements:** 90-140 VAC, 60 Hertz
198-250 VAC, 60 Hertz
- **Weight:** Shipping: 13 Lbs. (5.9 kg.)
Product: 11.8 lbs. (5.4 kg.)
- **Dimensions:** 44mm x 482mm x 309mm D (1.75 x 19.0 x 12.0 in. D)
- **Options:**
 - Jensen transformers in and out
 - Page mode for remote access of up to 12 presets. Model ADD-3PG-4 (4 pages) and model ADD-3PG-12 (12 pages)
 - Digitally-controlled attenuation of output gain
- **Warranty Information:** Refer to the Warranty Statement packed with each product

PACKAGE



COMPONENT VIEW



COMPONENT PARTS LIST

ITEM	PART NO.	QTY	DESCRIPTION
1	550-1824-03	1	POLY BAG, 16x24x.004
2	550-1000-00	1	SHIPPING CARTON, ADD SERIES
3	550-0002-00	2	SHIPPING INSERT, UNIV, POLYFOAM
4	450-6150-01	1	CORD SET, GRD PLUG TO APPL SKT
5			
6			
7			
8			

AUDIO DIGITAL ADD-2 REV B

AUDIO DIGITAL ADD-2

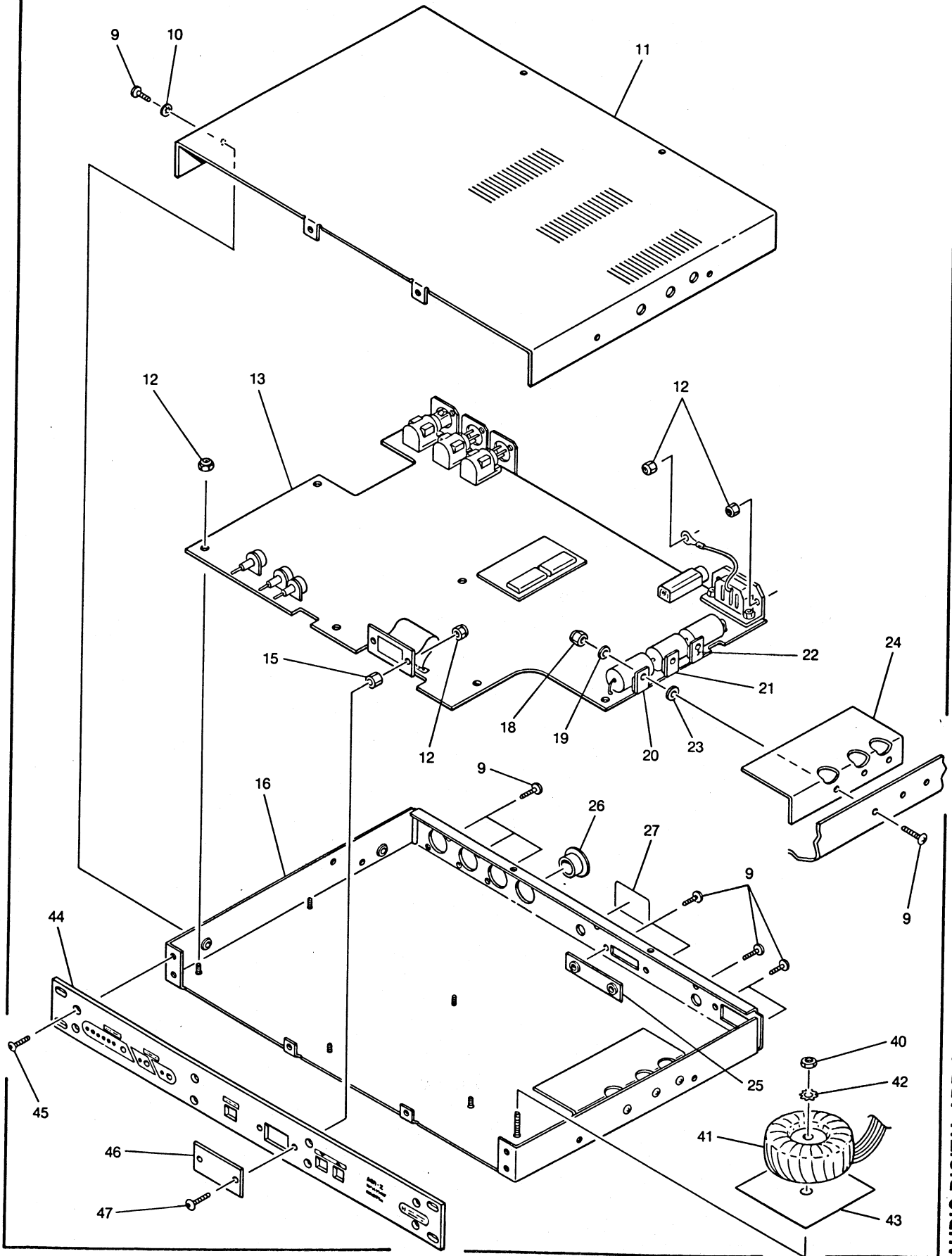
COMPONENT PARTS LIST

ITEM	PART NO.	QTY	DESCRIPTION
9	530-2440-31	22	4-40x3/8 PHILLIPS PH BLK OXIDE
10	540-0305-00	6	WASHER, #4, INT. TOOTH LCK, BLK OX.
11	510-0061-00	1	LID, ADD
12	535-1440-00	14	NUT, 4-40 HEX, SELF LOCK INSERT
13	650-3010-02	1	PCB, ADD MOTHER
14			
15	527-0187-25	2	SPACER, .187x1/4 HEX, 4-40, ALUM
16	505-0060-00	1	CHASSIS, ADD
17			
18			
19	540-0304-00	3	WASHER, #4 SHLDR, INSUL. FIBER
20	325-0350-00	1	VOLTAGE REG, ADJUSTABLE, TO220
21	325-0340-00	1	VOLTAGE REG, +15V, TO220
22	325-7915-00	1	VOLTAGE REG, -15V, TO220
23	540-0220-02	3	WASHER, TO-220, INSUL. MYLAR
24	525-0053-00	1	HEAT SINK, ADD
25	520-0070-00	1	HOLE COVER, ADD
26	590-0812-00	1	HOLE PLUG, .812 DIA, BLK PLASTIC
27	590-2345-00	1	SERIAL NUMBER PLATE, CUSTOM
28			
29			
30			
31			
32			
33			
34			
35			
36			
37			
38			
39			
40	535-1032-00	1	NUT, 10-32, HEX
41	610-2092-02	1	TRANSFORMER, AC LINE, TOROIDAL
42	540-0310-01	1	WASHER, #10, EXT TOOTH LOCK
43	595-0308-00	1	INSULATOR, 10 MIL RAG PAPER, 3x8
44	515-0062-00	1	FACEPLATE, ADD2
45	530-0632-37	8	SCREW, 6-32x.375, SKT FLT HD, BLK

ITEM	PART NO.	QTY	DESCRIPTION
46	590-0295-30	1	DISPLAY FILTER, 1.1x1.9
47	530-1440-50	2	SCREW, 4-40x.625, SOC BTN HD, BLK
48			
49			
50			
51			
52			
53	312-5286-01	5	DIODE, LED, GREEN, T1
54	130-1831-00	3	POT, 25K, LOG, 20%
55	325-0072-01	14	I.C., DUAL OP-AMP, HIGH SPEC
56	140-0502-02	2	POT, 5 K, TRIMMER, 10%
57	423-0306-00	1	CONNECTOR, 3 PLC, XLR FM, PC MNT
58	428-0307-00	2	CONNECTOR, 3 PIN, XLR M, PC MNT
59	370-6511-00	1	LSIC, MICROPROCESSOR
60	350-4802-00	1	I.C., RAM, NON VOLATILE
61	305-6155-00	1	CRYSTAL, 6.1555 MHz, SERIAL
62	445-3573-31	1	RECEPTACLE, FUSE HLDR, PC MNT
63	540-0104-00	1	SOLDER LUG, #4 STAR WASHER, BNT
64	640-0375-01	1	FUSE, AGC, 3/8A, 250V, SLO BLO
65	445-3573-32	1	FUSE CAP, SLOTTED TWIST-LOCK
66	445-4300-71	1	RECEPTACLE, AC, PC MOUNT
67	535-1440-01	2	NUT, 4-40 HEX, BRIGHT STEEL
68	210-0228-50	2	CAPACITOR, 2200 μ F, 50V, ELECTRO.
69	210-0478-35	1	CAPACITOR, 4700 μ F, 35V, ELECTRO.
70	310-5392-00	14	DIODE, POWER RECT, 1.5 AMP, 100V
71	520-0002-01	3	SWTCH, MOM, PSH BTN, SPST, PC MT
72	560-7982-00	3	SWITCH CAP, .450 SQ, MATTE GREY
73	315-2416-00	1	DISPLAY, LED, 4 CHAR. 16 SEGMENT
74	350-2732-00	3	LSIC, EPROM, 4K, 24LEG, BLANK
75	150-0222-00	2	RESISTOR NETWORK, SIP 9x2.2K
76	350-6525-60	2	I.C., RAM, 8x32K, STATIC
77	145-0103-00	1	TRIMMER POT, 10K, 10%, 2-TURN
78	210-0106-35	1	CAPACITOR, 10 μ F, 35V, ELECTRO.
79	426-0020-12	1	HEADER, 12-PIN FLEXIBLE
80	545-0232-25	1	SCREW, SELF-TAP, 2-32x1/4, CAD PH
81	312-5086-01	3	DIODE, LED, RED, T1
82			

AUDIO DIGITAL ADD-2

COMPONENT EXPLODED VIEW



AUDIO DIGITAL ADD-2

AUDIO DIGITAL ADD-2

CIRCUIT BOARD

