

Installation Instructions

This retrofit kit includes an LED lamp and Installation instructions. Please check these items when unpackaging.

The units covered in this report are intended to retrofit Type IC or Non-IC covered ceiling recessed luminaire with through-branch wiring marked "Max. 8 of 12 AWG conductors" with instructions to remove the existing trim and diffuser.

WARNING

Risk of fire or electric shock. LED Retrofit Kit installation requires knowledge of luminaires electrical systems. If not qualified, do not attempt installation. Contact a qualified electrician.

WARNING

Risk of fire or electric shock. Install this kit only in luminaires that have the construction features and dimensions shown in the photographs and/or drawings and where the input rating of the retrofit kit does not exceed the input rating of the luminaire.

WARNING

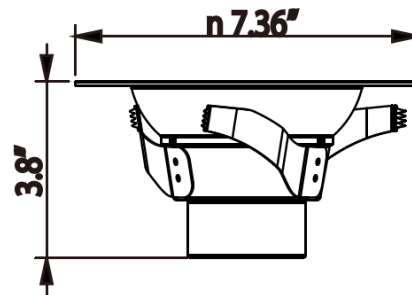
To prevent wiring damage or abrasion, do not expose wiring to edges of sheet metal or other sharp objects. Do not make or alter any open holes in an enclosure of wiring or electrical components during kit installation.

Electrical parameters:

Model No.	Input voltage, Vac	Input Current ,Ma	Input wattage ,W
SPK-DL6-RGBTW-WH	100-130V	210	13W

Product size:

Unit: inches



Dimension tolerance: ± 0.059 inches

INSTALLATIONS:

STEP1:

Turn off the power before installation, Remove the diffuser or existing bulb, if necessary and remove the existing trim. Attach the relamping label to the inside of recessed luminaire housing.

STEP2:

As shown in Figure 1 Twist the lamp base into the lamp holder.

STEP3:

As shown in Figure 2 Connected the lamp connector with lamp base connector.

STEP4:

As shown in Figure 4 Push the LED retrofit trim into the recessed light fixture, allowing the torsion springs to pull the LED trim up into the recessed light fixture. Continue to push the LED trim until its outer edge is flush against the ceiling

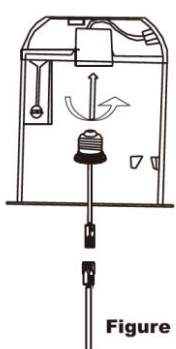


Figure 1

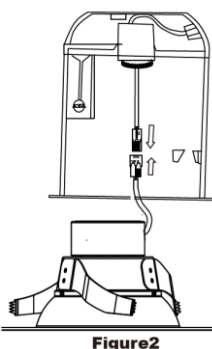


Figure 2

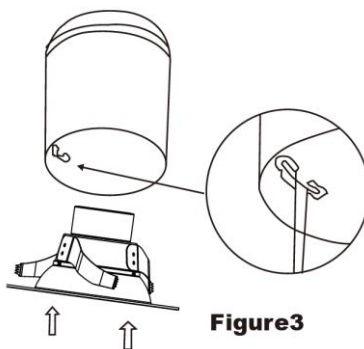


Figure 3

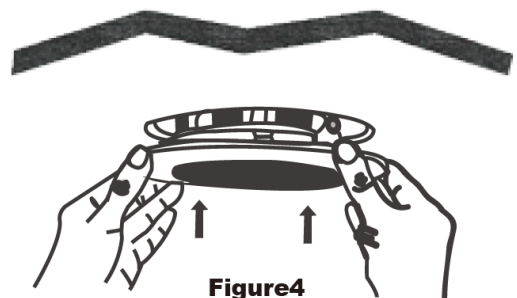


Figure 4

FCC statement

This device complies with Part 15 of the FCC Rules: Operation is subject to the following two conditions:

1. This device may not cause harmful interference and
2. This device must accept any interference that is received, including any interference that may cause undesired operation.

*RF warning for Portable device: The device has been evaluated to meet general

NOTE:

This equipment has been tested and found to comply with the limits for a Class B digital device, pursuant to part 15 of the FCC Rules. These limits are designed to provide reasonable protection against harmful interference in a residential installation. This equipment generates uses and can radiate radio frequency energy and, if not installed and used in accordance with the instructions, may cause harmful interference to radio communications. However, there is no guarantee that interference will not occur in a particular installation. If this equipment does cause harmful interference to radio or television reception, which can be determined by turning the equipment off and on, the user is encouraged to try to correct the interference by one or more of the following measures:

- Reorient or relocate the receiving antenna.
- Increase the separation between the equipment and receiver.
- Connect the equipment into an outlet on a circuit different from that to which the receiver is connected.
- Consult the dealer or an experienced radio/TV technician for help