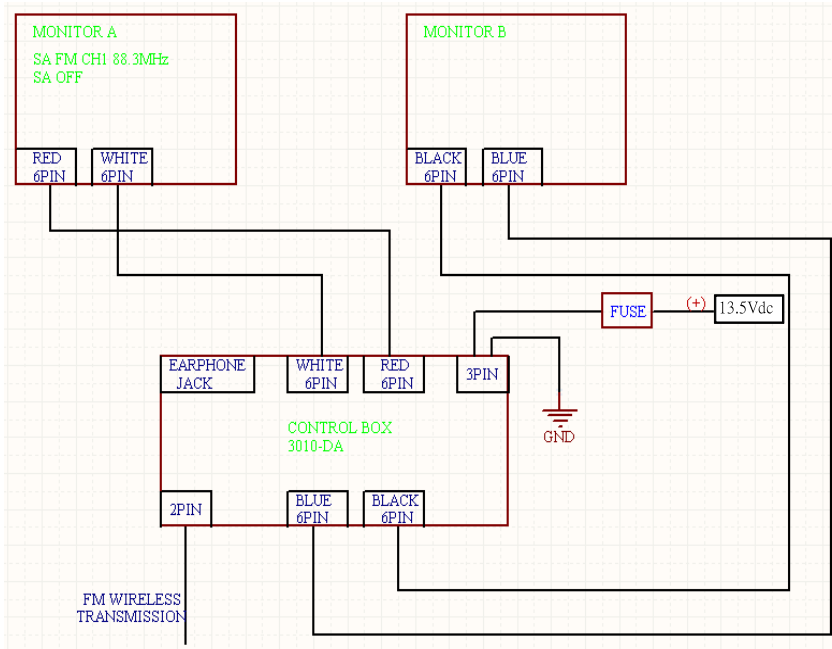


USER MANUAL

3010-DA

MODULE CONNECTION INSTRUCTIONAL DIAGRAM



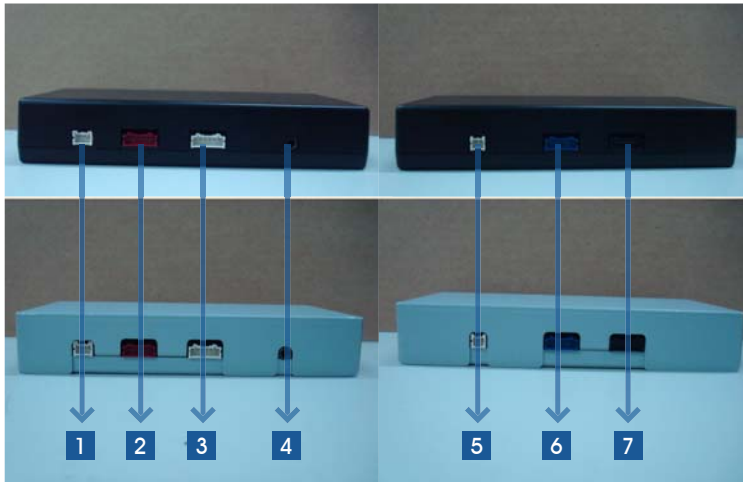
Monitor A



Monitor B



EXPLANATION & SPECIFICATION



- 1 To Power supply DCV : 10V~16V
- 2 To Monitor A Red Connector Power & AV Output
- 3 To Monitor A White Connector AV Input & I2C
- 4 To Ear phone Audio Aux Output
- 5 To FM Antenna Output 88.3 MHz ~107.7 MHz
- 6 To Monitor B Blue Connector AV Input & I2C
- 7 To Monitor B Black Connector Power & AV Output

This Class B digital apparatus complies with Canadian ICES-003.
Cet appareil numérique de la classe B conforme à la norme NMB-003 du Canada.

This device complies with Industry Canada license-exempt RSS standard(s). Operation is subject to the following two conditions: (1) this device may not cause interference, and (2) this device must accept any interference, including interference that may cause undesired operation of the device.

Le présent appareil est conforme aux CNR d'Industrie Canada applicables aux appareils radio exempts de licence. L'exploitation est autorisée aux deux conditions suivantes : (1) l'appareil ne doit pas produire de brouillage, et (2) l'utilisateur de l'appareil doit accepter tout brouillage radioélectrique subi, même si le brouillage est susceptible d'en compromettre le fonctionnement.

For product available in the USA/Canada market, only channel 1~11 can be operated. Selection of other channels is not possible.

This device and its antenna(s) must not be co-located or operation in conjunction with any other antenna or transmitter.

Under Industry Canada regulations, this radio transmitter may only operate using an antenna of a type and maximum (or lesser) gain approved for the transmitter by Industry Canada. To reduce potential radio interference to other users, the antenna type and its gain should be so chosen that the equivalent isotropically radiated power (e.i.r.p.) is not more than that necessary for successful communication.