



Instruction Manual

COOL-1

Bluetooth Speaker



Bluetooth®

Please read this manual carefully before using!

Safety Precautions



CAUTION: To reduce the risk of electric shock, do not remove the back panel. No user serviceable parts inside. Refer to qualified personnel.

WARNING: To reduce the risk of fire or electric shock, do not expose this appliance to rain or moisture. This device generates a fair amount of heat. Make sure nothing blocks the ventilation to the rear panel of the unit.



The lightning flash with arrowhead, within an equilateral triangle, is intended to alert the user to the presence of uninsulated “dangerous voltage” within the product’s enclosure that may be of sufficient magnitude to constitute a risk of electrical shock to persons.



The exclamation point within an equilateral triangle is intended to alert the user to the presence of important operating maintenance (servicing) instructions in the literature accompanying the appliance.

For Future Reference

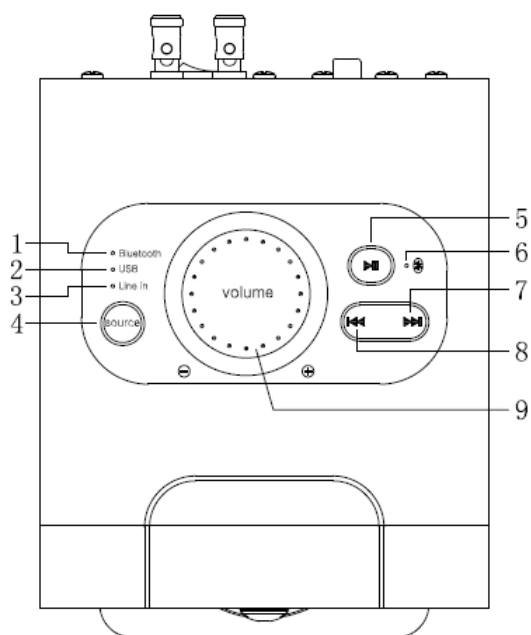
Record your serial numbers and date of purchase here:

Model Number _____
 Serial Number _____
 Date of Purchase _____

The serial number is found on the back panel

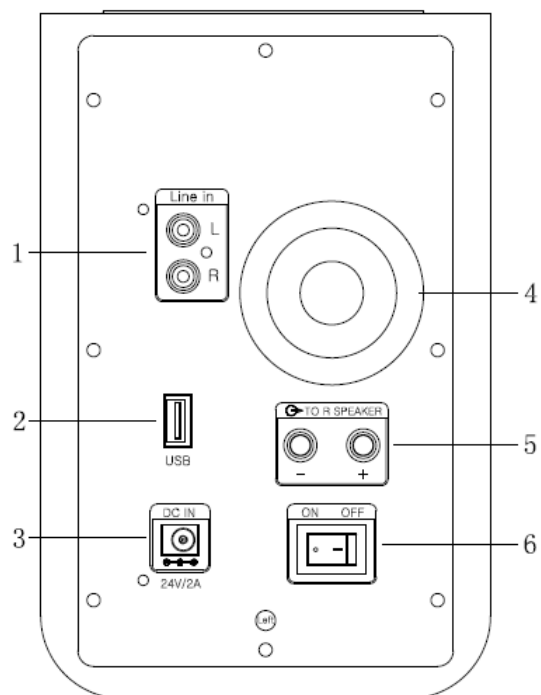
Model COOL-1 Specifications

Output Power:	20W × 2
Harmonic Distortion:	<0.5% 1W 1KHz
Noise Ratio:	≥ 75dB
Separate Ratio:	≥ 45dB
Tweeter:	1” × 2
Woofers:	4” × 2
Audio Input:	2RCA
Audio Output:	Push in Type Binding Post
Adaptor:	AC 100V-240V ~ 47-63Hz
Power Supply:	DC24V/2A



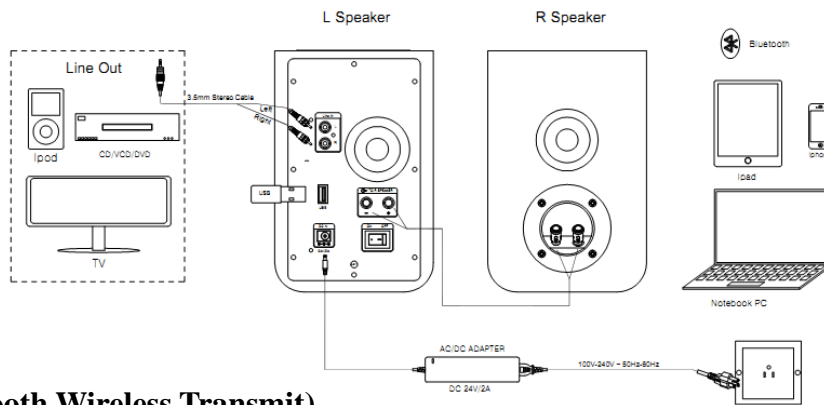
TOP VIEW

1. Bluetooth LED Indicator
2. USB LED Indicator
3. Line in LED Indicator
4. Mode Function Selector
5. Play/Pause
6. Skip Forward
7. Skip Backward
8. Volume



REAR VIEW

1. Line in for Cable
2. USB Plug
3. DC IN Jack
4. Port Tube
5. Push In Binding Post
6. Power Switch



Connecting (Bluetooth Wireless Transmit)

1. Plug into the AC inlet on the wall, turn on the power switch on the back panel (REMARK: The system will be automatically returned to the start statue).
2. Bluetooth function : Once Bluetooth LED turns on, The Bluetooth connecting LED(red and blue)continue flashing requesting for pair. It will not stop until the Bluetooth device is paired. Once in pair, Flashing stop and it goes to slow and steady with blue led only. If the second Bluetooth device is requested to be paired, Hold the Pause/Play for 5-6 seconds, The Red and blue LED starts quick flashing again and the system is ready for the second device to be paired.

	Bluetooth Mode	Bluetooth LED Indicator		Request to be paired once in quick flashing with red and blue LED when system in power
	USB Mode			
	Line in Mode			

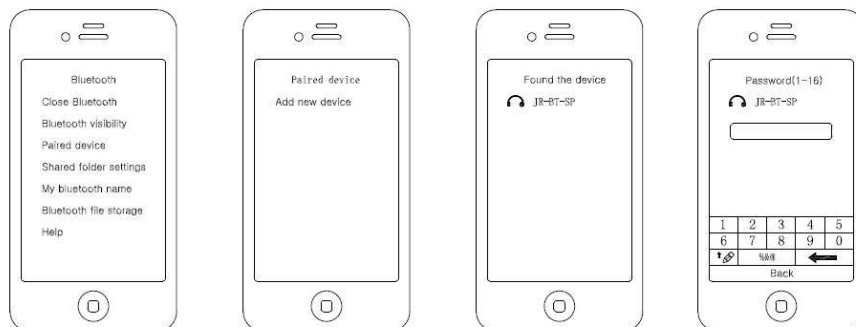
3. Once the speaker gets in paired with the Bluetooth device, the quick flashing with red and blue Led will be changed into blue LED with steady or flashing with blue LED within 6 seconds interval.

Android Phone

Set up Mode>wireless and network>start Bluetooth function>search>select” JR-BT-SP “sign to show up>enter pairing code with “0000”>confirm or connect.

Others

Refers to the instruction on the device(Paring code to enter, is“0000”)



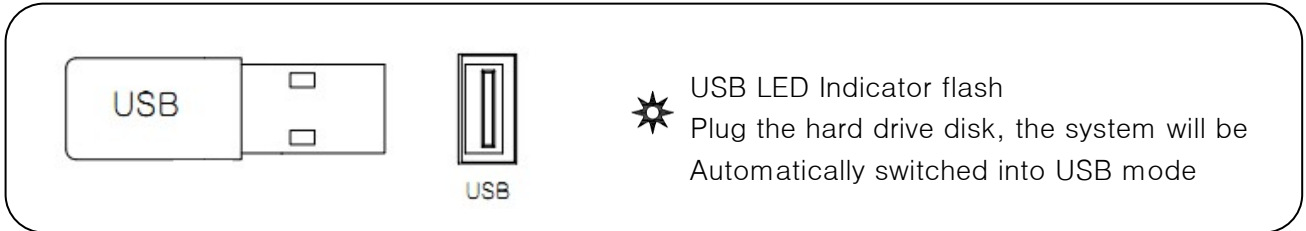
4. Switch to the next Bluetooth device : Turn off Bluetooth function on the current Bluetooth device, and push and hold the pause/play button on the top panel on the speaker for a few seconds till the red and blue LED is in quick flashing. The system is back to the start statue for requesting to be paired.

	Push and hold for seconds Pause and play button Hold for 5 or 6 seconds		Red and blue LED will be in quick flashing
--	---	--	--

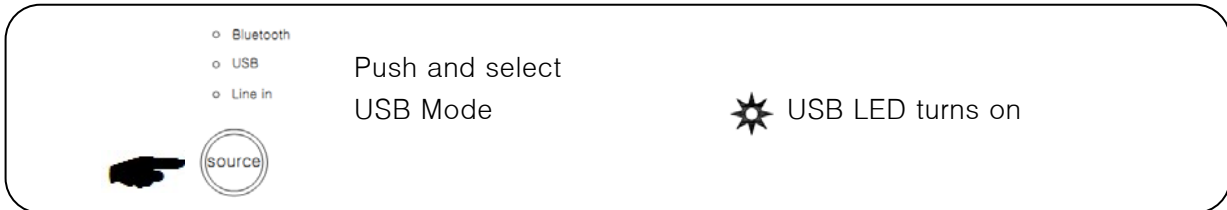
USB connecting

1. Connecting the main speaker with sub speaker by speaker cable and turn on the power switch then plug hard drive disk into USB slot, The system will be automatically back into the USB mode.

USB Mode supports MP3/ WMA audio format.

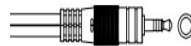


2. Push source button and select USB LED, USB indicator will be turned on. The system is in USB mode.



Connecting (cable connecting)

1. Use RCA cable connect the main speaker with audio equipment, use speaker cable connect the sub-speaker.

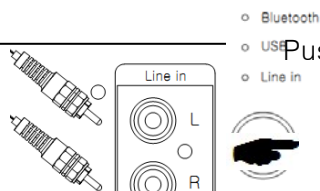


Connecting this plug to any

Use RCA cable connect RCA on the main speaker

3.5mm earphone jack on the device

2. Push Source Button to select line in Mode, Once the LED turned on, The system is on Line in Mode.



Push to select the line in mode

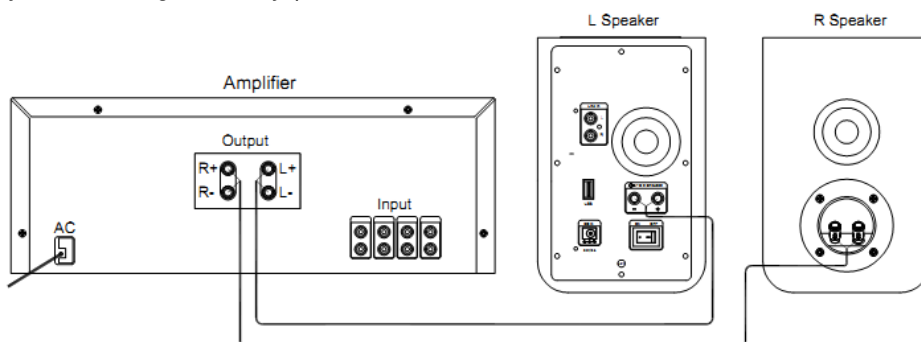
Line in LED turns on

Connecting (passive speaker)

1. Use other receiver equipment

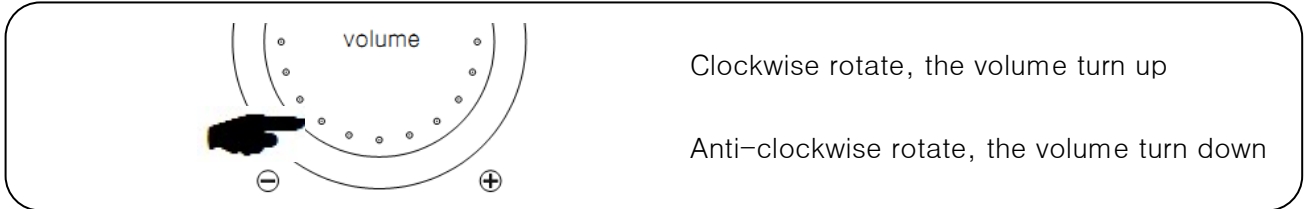
Turn off the power switch and make sure it is not connected with power inlet, use wires to connect the speakers to the amplifier.

(Receiver power can not be exceeded over 4 ohm /50watt, **WARNING: speaker power cable must be kept away from any connecting with any power inlet**)



Volume Control

1. Volume Control : Rotate the volume button clockwise or anti-clockwise to turn up or turn down the volume.



2. Volume Control on the device :When at the Bluetooth function, The volume control on Bluetooth device can remote the volume on the speaker.
3. Play/pause, skip button on the top panel : Control buttons only control the device which is supported by AVRCP on the Bluetooth device (support los4.1 and after version、 Android1.5、 Windows Mobile5.0 and after version) .

⊗ Parts List in the Package

. COOL-1 Main speaker	1 PCS
. COOL-1 Sub-speaker	1 PCS
. 3.5mm-2RCA Cable	1 PCS
. Speaker Cable	1 PCS
. Grills	5 SETS
. Instruction Manual	1 PCS
. Warranty card	1 PCS
.AC/DC Adaptor Cable	1 SET

TROUBLE SHOOTING	SOLUTION
Pair Failure	1. Check and make sure your Bluetooth device is within 50meter range from speaker; 2. Make sure the Bluetooth function on the previous device is shut down, Always remember Bluetooth can not be paired with two devices at the same time; 3. Pair can only be available when blue and red LED is in quick flashing on the top panel on the speaker ; 4. You can switch off the power and turn it on.
No Sound	1. Check and make sure the system is in power and well connected with wire; 2. Check to see if any short cut inside the wire; 3. Check to see the program is well set in the device.
Sound volume over loud or lower	Check to see the volume control button is correctly rotated.
No sound from any side of speaker	1. Check to see the terminal of each side is well connected or not; 2. Check to see if any short cut inside the wire.
The system Bluetooth work with play device	Any device is supported to work with the system , devices include: PC/notebook computer、 CD、 DVD and any play equipment with 3.5mm stereo jack.
Device to work with USB Mode	Work with USB、 MP3/ WMA AUDIO format.
Bad sound quality	1. Check to make sure any oxide rust shows on the terminal or if the terminal is tightly and well connected; 2. Check and examine the loudspeaker on the speaker is working and make sure if any loudspeaker is cooked ; 3. Check to see if any terminal and wire is connected according to the instruction.
The best set up place for the speaker	In order to achieve the best sound quality, Put speaker in parallel with some distance from speaker to another speaker and front side close to the front edge of the table, Do not put it close to any CRT.
If you can not get it work, read the maintenance card.	

FCC Statement

1. This device complies with Part 15 of the FCC Rules. Operation is subject to the following two conditions:

- (1) This device may not cause harmful interference, and
- (2) This device must accept any interference received, including interference that may cause undesired operation.

2. Changes or modifications not expressly approved by the party responsible for compliance could void the user's authority to operate the equipment.

Federal Communication Commission Interference Statement

This equipment has been tested and found to comply with the limits for a Class B digital device, pursuant to Part 15 of the FCC Rules. These limits are designed to provide reasonable protection against harmful interference in a residential installation. This equipment generates, uses and can radiate radio frequency energy and, if not installed and used in accordance with the instructions, may cause harmful interference to radio communications. However, there is no guarantee that interference will not occur in a particular installation. If this equipment does cause harmful interference to radio or television reception, which can be determined by turning the equipment off and on, the user is encouraged to try to correct the interference by one of the following measures:

- Reorient or relocate the receiving antenna.
- Increase the separation between the equipment and receiver.
- Connect the equipment into an outlet on a circuit different from that to which the receiver is connected.
- Consult the dealer or an experienced radio/TV technician for help.

Manufacturer: SHENZHEN JINRUN ACOUSTICS CO., LTD

**ADDRESS: BLDG NO 10, HUAIDE CUIHAI INDUSTRIAL PARK, FUYONG,
BAOAN, SHENZHEN, CHINA.**

TEL: 86-0755-27342058

FAX: 86-0755-27342057

E-MAIL: jinrun@public.szptt.net.cn