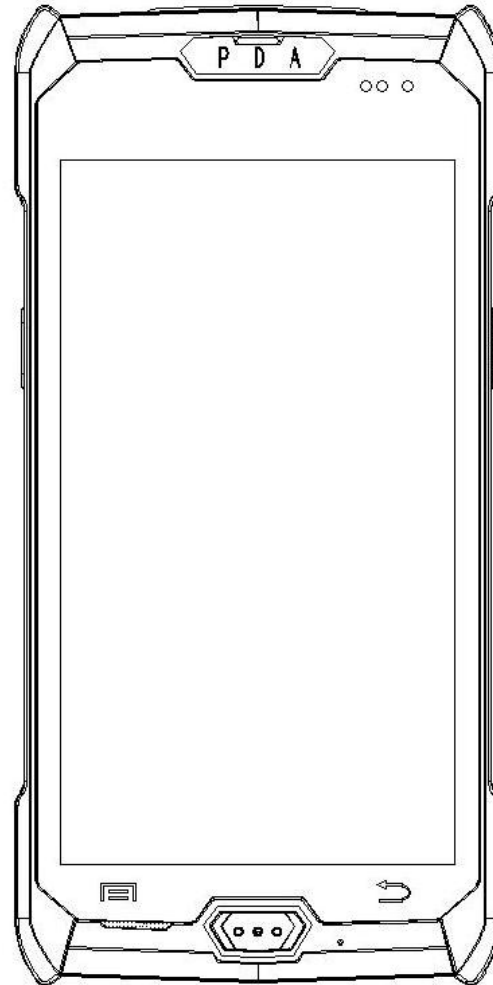
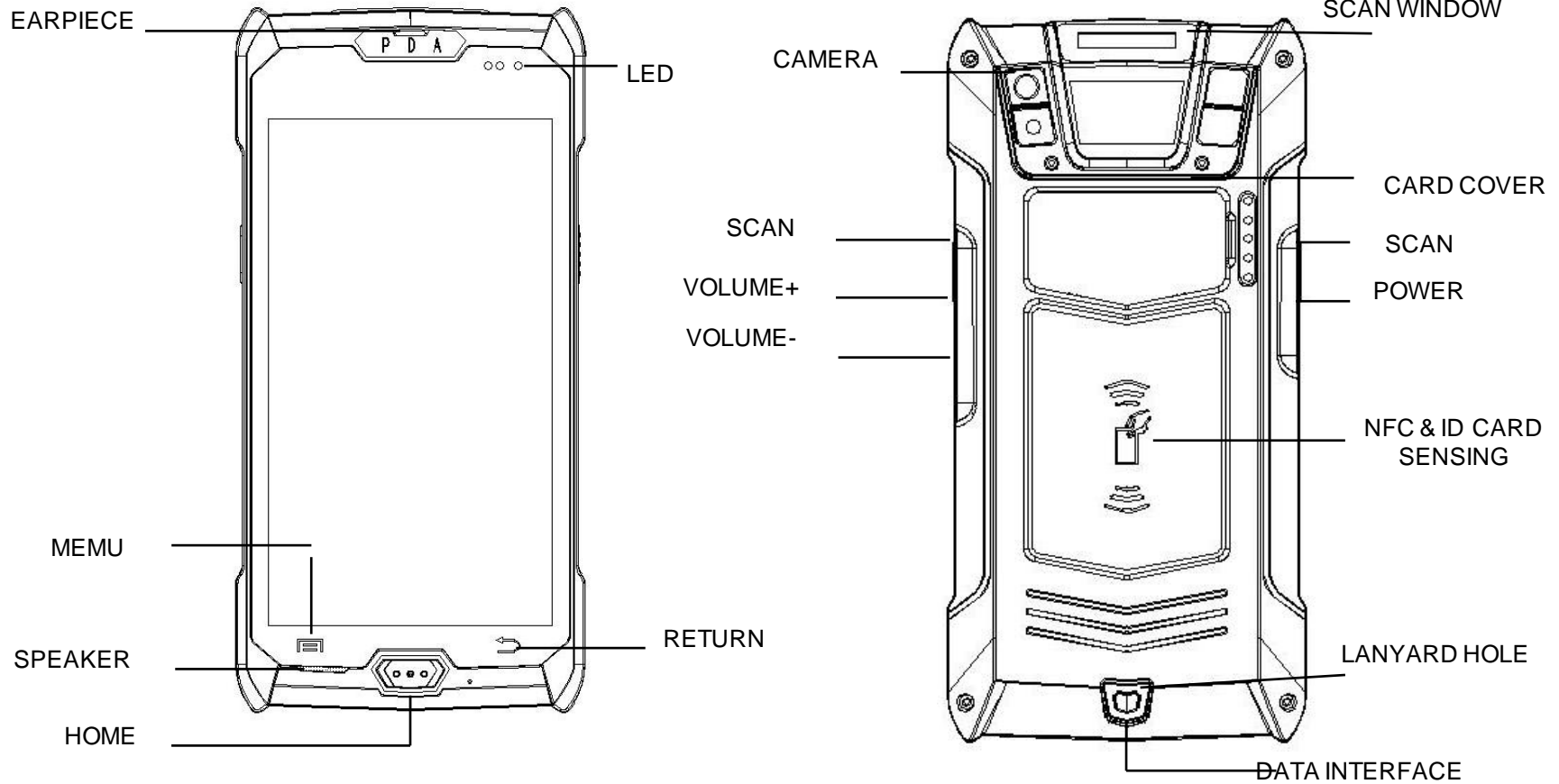


Mobile Data Collection Terminal



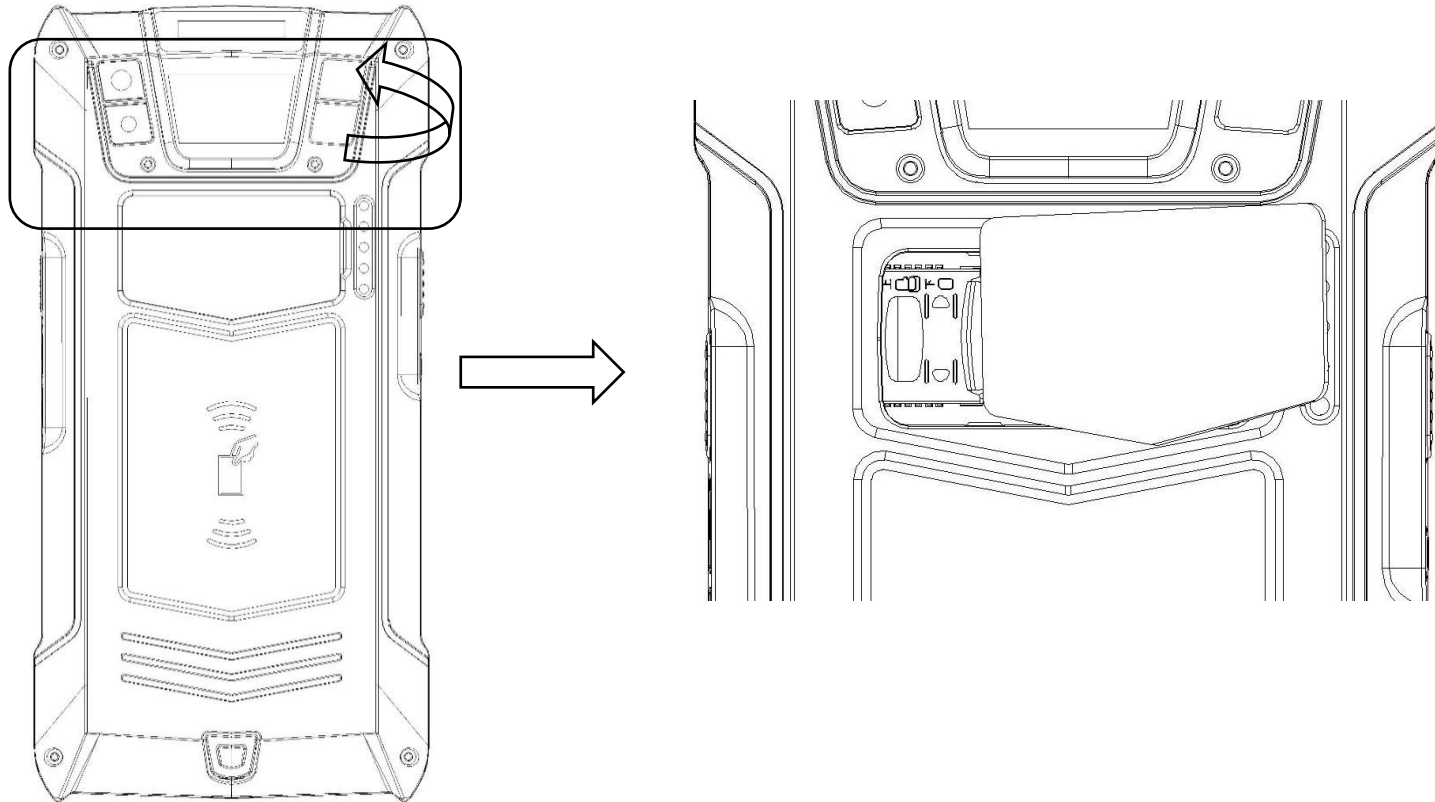
Quick Guide

Overview



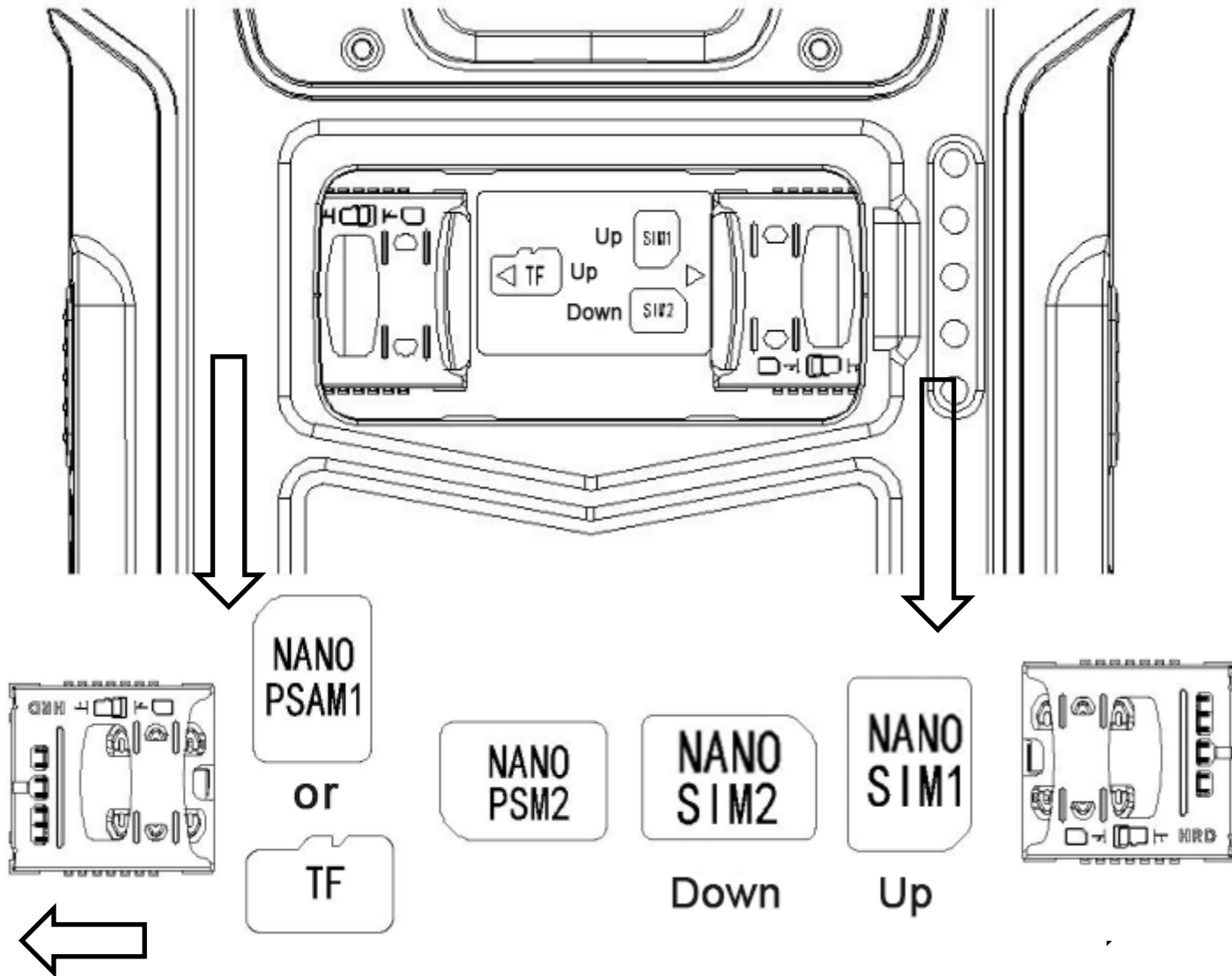
Install SIM card

Use the card cover and the bottom cover to release the cover, as shown below



Install SIM card

Please press the view to select the corresponding slot to insert the SIM card, as follows



Double Card Specification

Your device use the design“double SIM card double standby ” The two SIM cards unable to use voice and data service at the same time.

- If one SIM card is dialing then the other one unable to answer the phone. You may hear“the phone you call is out of service and please call later”
- If one SIM is using the data service then the other one unable to use it at the same time.

Your device support double SIM card double standby ,Please set one card to use 4G service when you inserted two Nano-SIM cards.

Setting – dual card management, Please select 4G card slot set function as you need and switch to 4G service.

- BLN-TL10 、 BLN-AL10 : mobile ,Unicom or telecom SIM cards to 4G service.
- BLN-TL00 : SIM set to 4G card

Connect to WLAN network

一、Connect to WLAN network



- 1.Slide down the status bar and open the notification panel.
- 2.Click on the switch page and press long to enter the WLAN setting interface.
- 3.Open WLAN switch, The device will show the detected the WLAN network on a list.
- 4.Click on the WLAN network you need. If you select an encrypted network, Please enter passport.

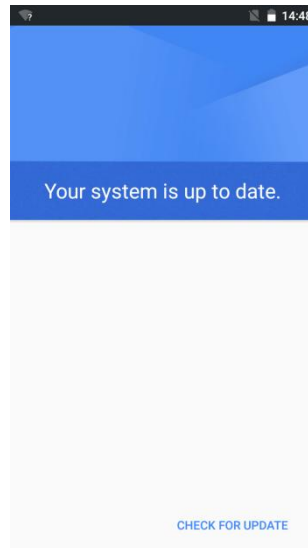
Instructions on the Bluetooth

1. Click on device Bluetooth setting, Select "open", Bluetooth support function is available.
2. Bluetooth headset, Press headset multifunction function more than 3 seconds until the indicator lights up (pay more attention the indicator light should be light up steady not blink or not bright. Or some of them set is for the red and blue flashing)
3. Open Bluetooth option on device and searching, the list with Bluetooth name and model will be show, Please click on and enter password (usually 0000) or no password. It is successfully once headset and indicator flashing quickly
4. Click on Bluetooth headset such as S10, open it and select binding. In this way device have been connected with headset. In this time you may heard "Dingdong" prompt. the same prompt can be heard when you closed the Bluetooth headset. The prompt can be used to judge the Bluetooth headset and phone has normal connection or not.

Online Upgrade

We have equipped you with an online upgrade function. You can get the latest and most stable system through online upgrade. The operation method is as follows:

1. Click main menu  and enter APP menu  interface
2. Click on the settings icon to enter the settings interface, click on the "About phone" option,
In the selection click on "system upgrade" as shown
3. System upgrade adopts OTA upgrade mode. When a new system is detected, it will automatically prompt whether to upgrade.



Barcode Scanning

If your device is equipped with a barcode scanning function, please follow the instructions

below to support 1D and 2D barcode scanning recognition

1. Click main menu  and enter APP menu interface.

2. Click JSCAN  enter scan function setting, see picture

3. JSCAN function description & feature:

3.0.1 open the scanner: Turn on or off the scan function.

3.0.2 Voice: After the bar code recognition is successful, the device will issue a voice prompt.

3.0.3 Vibration: After the barcode recognition is successful, the device vibrates.

3.0.4 Add enter: Barcode suffix adds carriage return character (line feed) after successful barcode recognition

3.0.5 Output focus: Scan the bar code at the cursor of the text box in any program interface, all can receive bar code data

3.0.6 Boot up: The operating system will automatically start the scanner after rebooting

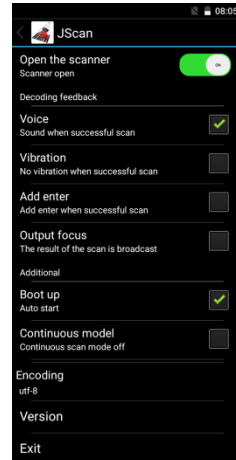
3.0.7 Continuous model: The program automatically triggers the scanning of the light to identify the bar code

3.0.8 Encoding: Received data conversion encoding (utf-8 or gbk)

3.0.9 Version: The version number of the program

3.1.0 Exit: Exit the program front interface, go to the background

3.1.1 JSCAN: The application of the scanning program for the system can facilitate the user to quickly and easily experience the scanning and save the secondary development time.

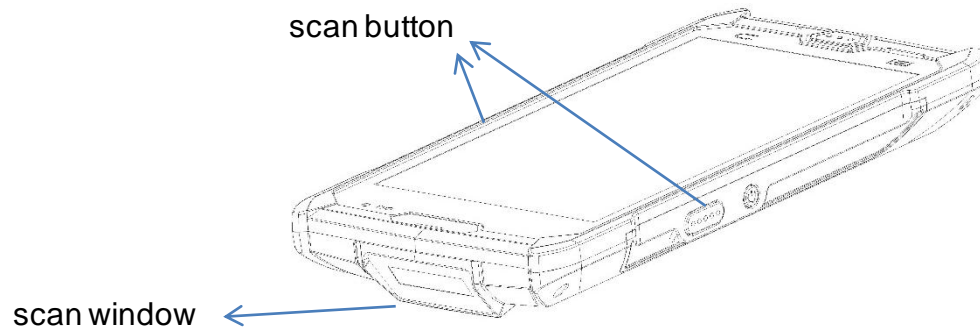


4. Device trigger scan, see photo:

4.0.1 The device scan side button is divided into two sides, can trigger the scan

4.0.2 According to the bar code different size specifications to determine the scanning distance, such as 18mm * 18mm specifications of the two-dimensional code, the best scanning distance 15-30cm

4.0.3 Scan angle: ± 72 , front and rear: ± 72 , swivel 360° scan



5. Recognizable type barcode, as shown:

UPC-A ,UPC-E ,EAN-13 ,EAN-8 , Code 39, Cross Code 25 , Matrix Code 25, Kudiba Code, Code 128 , UCC/EAN 128(GS1-128) , ISBT 128 , Code 93 , China Post Code ,China Finance Code ,GS1 DataBar , GS1 DataBar Truncated 3, GS1 DataBar Limited, GS1 DataBar Expanded, PDF417, QR, DataMatrix .

UPC-A



UPC-E



EAN-13



ISBN/ISSN



EAN-8



Code39



Interleaved 2 of 5



Matrix 2 of 5 Code



codabar



Code 128



UCC/EAN 128



ISBT 128



Code 93



China Postal Code



GS1 Databar (GS1 Databar Truncated)



GS1 Databar Limited



GS1 Databar Expanded



PDF417



QR code



1234567890ABCD-+()&*% ^#@#\$!XYZ


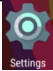

Data Matrix



123890abc-+&*% ^!m do

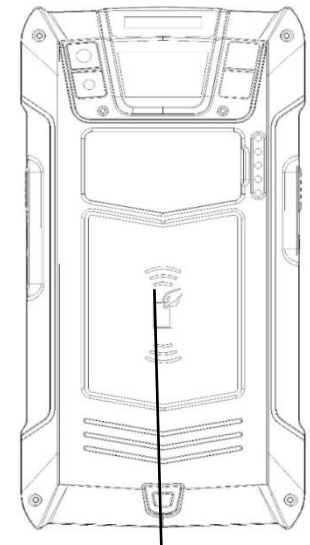
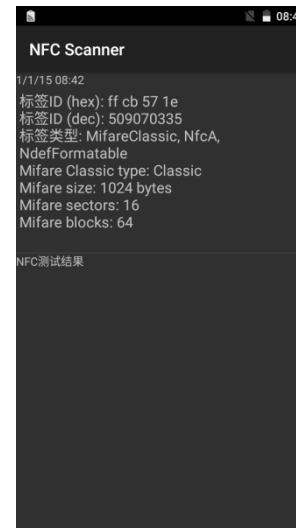
NFC Read Function

If your device is equipped with an NFC read function, follow the instructions below

1. Click the main menu button  to enter the APP menu interface
2. Click on the settings icon  to enter the settings interface, click on the "more" option, Then click to select "NFC" and finally click the button to turn on NFC 

3. When the device touches the NFC card, the NFC program will automatically display the NFC information, as shown in the figure.

4. Reading distance 3-5cm, using standard NFC protocol



NFC Sensing Area

(Remarks:NFC and ID reading functions are optional features. Please make sure that your device has this feature to operate)

FQA

1. What should I do if the device does not boot?

(1) When the power button is pressed for 3-4 seconds, the screen will start to display. Press the power button to release the power button when the screen is displayed.

(2) Next, check if the device has power and connect it to the USB cable of the device. If the battery charge icon is displayed on the screen, it indicates that the battery power is insufficient.

2. Can't connect the device to the computer?

If the device is plugged into the computer's USB port, there is no prompt, please replace a USB port and then test it, if you do not have any response please replace the computer and try again

3. The device is out, but the bar code is not scanned?

This situation is generally a scan setting problem, you need to enter the scan settings, first check the keyboard output options check, if you have checked please reset the scan engine, the scan switch to open a once off operation

4. How to use the battery correctly

The battery of the device is a polymer battery. Please charge the device in time after being discharged. Do not store it for a long time in the case of empty power or full power. The battery power should be stored in the case of 50% or so.

FCC Warning Statement

Changes or modifications not expressly approved by the party responsible for compliance could void the user's authority to operate the equipment. This equipment has been tested and found to comply with the limits for a Class B digital device, pursuant to Part 15 of the FCC Rules. These limits are designed to provide reasonable protection against harmful interference in a residential installation. This equipment generates uses and can radiate radio frequency energy and, if not installed and used in accordance with the instructions, may cause harmful interference to radio communications. However, there is no guarantee that interference will not occur in a particular installation. If this equipment does cause harmful interference to radio or television reception, which can be determined by turning the equipment off and on, the user is encouraged to try to correct the interference by one or more of the following measures:

- - Reorient or relocate the receiving antenna.
- - Increase the separation between the equipment and receiver.
- - Connect the equipment into an outlet on a circuit different from that to which the receiver is connected.
- - Consult the dealer or an experienced radio/TV technician for help.

This Bar code Hand Terminal meets the government's requirements for exposure to radio waves. The guidelines are based on standards that were developed by independent scientific organizations through periodic and thorough evaluation of scientific studies. The standards include a substantial safety margin designed to assure the safety of all persons regardless of age or health.

FCC RF Exposure Information and Statement

The SAR limit of USA (FCC) is 1.6 W/ averaged over one gram of tissue. Device types: Bar code Hand Terminal (FCC ID: 2AQP8-C50) has also been tested against this SAR limit. The highest SAR value reported under this standard during product certification is 0.91W when properly worn on the body. This device was tested for typical body-worn operations with the back of the Bar code Hand Terminal kept 10mm from the body.

To maintain compliance with FCC RF exposure requirements, use accessories that maintain a 00cm separation distance between the user's body and the back of the Tablet PC. The use of belt clips, holsters and similar accessories should not contain metallic components in its assembly. The use of accessories that do not satisfy these requirements may not comply with FCC RF exposure requirements, and should be avoided.