

# Navigator<sup>®</sup>

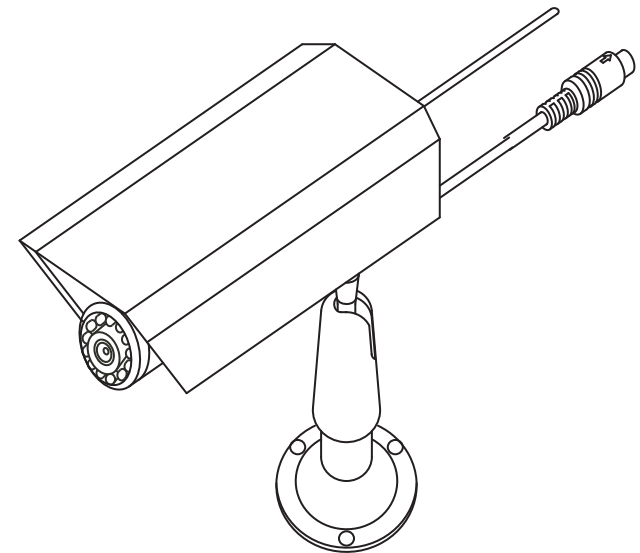
---

## User's Manual

**Model No.: CCD-325LWS**

---

**2.4 GHz Wireless Color Weather-proof  
IP44 Camera**



**PLEASE READ CAREFULLY AND SAVE**

This manual contains important information about this product's operation.  
If you are installing this product for use by others you must leave this  
manual -or a copy- with the end user.

---

## **Important!**

**Please read this booklet carefully before installing or using these units.**

**DANGER- HIGH VOLTAGE-** These units should **ONLY** be opened by an authorized technician if service is required.

### **Safety Precautions**

For correct and safe operation of this system, it is essential that installers, end-users and service technicians should follow all safety procedures outlined in this manual. Specific Warning and Caution statements (and/or symbols) are marked on the units where needed.

### **Warning and Caution Statements**

"WARNING" indicates a situation where failure to follow proper procedures can cause personal injury.

"CAUTION" indicates a situation where failure to follow proper procedures can cause damage to the equipment.

### **Federal Communication Commission Interference Statement**

This equipment has been tested and found to comply with the limits for a Class B digital device, pursuant to Part 15 of the FCC Rules. These limits are designed to provide reasonable protection against harmful interference in a residential installation.

This equipment generates, uses and can radiate radio frequency energy and, if not installed and used in accordance with the instructions, may cause harmful interference to radio communications. However, there is no guarantee that interference will not occur in a particular installation. If this equipment does cause harmful interference to radio or television reception, which can be determined by turning the equipment off and on, the user is encouraged to try to correct the interference by one of the following measures:

- Reorient or relocate the receiving antenna.
- Increase the separation between the equipment and receiver.
- Connect the equipment into an outlet on a circuit different from that to which the receiver is connected.
- Consult the dealer or an experienced radio/TV technician for help.

**FCC Caution :** To assure continued compliance, any changes or modifications not expressly approved by the party responsible for compliance could void the user's authority to operate this equipment. (Example - use only shielded interface cables when connecting to computer or peripheral devices).

This device complies with Part 15 of the FCC Rules.

Operation is subject to the following two conditions:

- (1) This device may not cause harmful interference, and
- (2) This device must accept any interference received, including interference that may cause undesired operation.

### **Canada (Industry Canada) :**

To prevent radio interference to the licensend service (i.e. co-channel Mobile satellite system) this device is intended to be operated indoors and away from windows to provide maximum shielding. Equipment (or its transmit antenna) that is installed outdoor is subject to licensing.

## **Contents**

<b>Important Safety Precautions .....</b>	<b>1</b>
<b>Specifications .....</b>	<b>2</b>
<b>Parts Included with This System .....</b>	<b>3</b>
<b>Parts of the System .....</b>	<b>3</b>
- Parts of the Camera .....	3
<b>Installing the Wireless Color Weather-proof IP44 Camera System .....</b>	<b>4</b>
<b>The Auto-Sequence Function .....</b>	<b>5</b>
<b>Connecting the Receiver to a TV or Monitor .....</b>	<b>5</b>
<b>Troubleshooting Guide .....</b>	<b>6</b>
<b>Warranty .....</b>	<b>6</b>

## Important Safety Precautions

### Please read before Installing

Congratulations on your purchase of the 2.4GHz Wireless Color Weather-proof Camera.

Please read these safety and operating instructions carefully before installing and using this system.

- Keep the camera AC/DC adapter cords out of reach of children.
- Do not place the camera AC/DC adapter cords in a crib or playpen.
- Locate the camera, receiver, AC/DC adapters where there is adequate ventilation. Do not locate the camera in direct sunlight.
- Do not locate the camera AC/DC adapters near heat sources such as heat registers, radiators, ovens, furnaces or other appliances with high operating temperatures.
- Do not use with extension cords. Use only the AC/DC adapters provided with this system.
- \*\*\*Note: Use of other adapters may damage the units and void your warranty.
- Only plug components into standard household voltage outlets (110V - 240V AC, 50Hz or 60 Hz).
- Do not place cords from the AC/DC adapters and camera where they can be pinched or stepped on. Protect the cords by keeping them out of the way of children, pets and routine household traffic. Do not place heavy objects on power cords or cover cords with rugs or carpet.
- When cleaning, use a DRY, lint-free cloth. Unplug the camera AC/DC adapters before cleaning. NEVER immerse any components in water and do not spray cleaners or solvents on the units. Doing so may damage the units or cause electrical shock.
- Unplug the AC/DC adapters from the wall outlet when the system is not in use.
- Mishandling, alterations or modifications not approved by the manufacturer will void the warranty.

#### CAUTION!

- ▲ Connect this unit ONLY to other compatible units. Do not connect it to any other type of alarm or auxiliary device. Connecting anything else to this unit may damage it or prevent it from operating properly.

#### CAUTION!

- ▲ Do not paint over the camera.

#### CAUTION!

- ▲ This system uses public airwaves for wireless operation. The sound and video may be broadcast to and picked up by other 2.4 GHz receiving devices. Conversations and images from other rooms near the camera may be broadcast and picked up. To protect your privacy.

#### IMPORTANT!

**ACCESSORIES:** Do not place weather-proof camera or equipment on an unstable cart, stand or table. The video monitor or equipment may fall causing serious injury to a child or adult, and serious damage to the equipment. Wall or shelf mounting should follow the manufacturer's instruction, and should use a mounting kit approved by the manufacturer.

**VENTILATION:** Slots and openings in the cabinet and the back or bottom are provided for ventilation and to ensure reliable operation of the weather-proof camera or equipment and to protect it from overheating. These openings must not be blocked or covered. The openings should never be blocked by placing the weather-proof camera on a bed, sofa, rug, or other similar surface. Weather-proof camera or equipment receiver should never be placed near or over a radiator or heat register. Weather-proof camera or equipment receiver should not be placed in a built-in installation such as a bookcase unless proper ventilation is provided.

## Troubleshooting Guide

If the Camera and/or Monitor...	You should...
No Power□	<ol style="list-style-type: none"> <li>1. Check that the power cord(s) for camera are properly connected.</li> <li>2. Check that the monitor is turned ON.</li> <li>3. Wrong AC/DC adapter used. Check if you are using the right AC/DC adapter.</li> </ol>
No sound or picture. Distorted sound or picture	<ol style="list-style-type: none"> <li>1. Check the channel switch settings on the both camera and receiver is in same channel.</li> <li>2. Signal interference from a microwave oven. Check if a micro-wave oven is in use or located in the path between the weather-proof camera. If so, turn it off or move it out of the path.</li> <li>3. Signal interference from other signal producing devices.               <ol style="list-style-type: none"> <li>(a) Identify and eliminate the source of the interference.</li> <li>(c) Relocate the weather-proof camera closer to each other.</li> </ol> </li> <li>4. Weather-proof Camera and receiver are too far apart.</li> </ol>

## 1 Year Limited Warranty:

JSW Pacific Corp., the maker of **Navigator** brand products, warrants that for a period of 1 year from the date of purchase, this product will be free from defects in material and workmanship. JSW, at its option, will repair or replace this product or any component of the product found to be defective during the warranty period. Replacement will be made with a new or remanufactured product or component. If the product is no longer available, replacement may be made with a similar product of equal or greater value. This is your exclusive warranty. This warranty is valid for the original purchaser from the date of initial purchase with JSW and is not transferable. This warranty does not cover normal wear of parts or damage resulting from any of the following: negligent use or misuse of the product, use on improper voltage or current, use contrary to the operating instructions, disassembly, repair or alteration by anyone other than JSW or an authorized service center. Further, the warranty does not cover acts of God, such as fire, flood, hurricanes and tornadoes or any batteries that are included with this unit. JSW shall not be liable for any incidental or consequential damages caused by the breach of any express or implied warranty.

## The Auto Sequence Feature

The Wireless Color Weather-proof Camera and Receiver System can be set up to monitor a series of rooms in a home or office. The receiver can connect up to four cameras on four different channels for Video reception, and display them in auto sequence. The system has dip-switches for 4 channels to allow various monitoring options.

When the channel dip-switches are set in the "ON" position, that channel is active on the receiver and can be seen on the TV or monitor. Channel dip-switches in the "OFF" position are inactive and will not be shown on the TV or monitor.

### The auto-sequence feature is activated

when more than one channel is switched ON. The channels switched ON will display on the monitor at five second intervals.

**For example**, if you have two cameras, one set to Channel 1 and the other set to channel 3, the dip-switch on the receiver must be set for both channels 1 and 3. Then camera one [CH1] and camera two [CH3] will start to display on the TV or monitor in sequence at five seconds intervals. This interval time is preset by the factory and cannot be adjusted by the user.

### To stop the auto-sequence function:

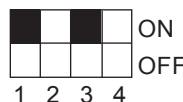
Slide the dip-switch of the channel(s) you do not want displayed to OFF on both that camera and the receiver. Channels in the OFF position will no longer be displayed.

### Camera



Channel Dip-Switch Diagram Channel 1 ON      Channel Dip-Switch Diagram Channel 3 ON

### Receiver



Channel Dip-Switch Diagram Channel 1 & 3 ON

### FCC/CE WARNING

This equipment generates and uses radio frequency energy and if not installed and used properly, that is, in strict accordance with the manufacture's instructions, may cause interference to radio and television reception. It has been tested and found to comply with limits for a Class B digital device in accordance with Part 15 of FCC Rules and CE I-ETS 300 440, which are designed to provide reasonable protection against such interference in a residential installation. However, there is no guarantee that interference will not occur in a particular installation. If this equipment does cause interference to radio or television reception, which can be determined by turning the equipment off and on, the user is encouraged to try to correct the interference by one or more of the following measures:

1. Reorient the TV/radio antenna.
2. Relocate the Receiver away from the TV/radio receiver.
3. Plug the Receiver into a different wall outlet so that the Receiver is on a different branch circuit.
4. If necessary, the user should consult the dealer or an experienced radio/television technician for additional suggestions.

The user may find the following booklet prepared by the Federal Communication Commission helpful: "How to Identify and Resolve TV Interference Problems." This booklet is available from the US Government Printing Office, Washington, D.C. 20402, Stock No. 004-000-00345-4.

### FCC/CE NOTICE

The user is cautioned that changes or modifications not expressly approved by the manufacturer could void the user's authority to operate the equipment. Linear radio controls provide a reliable communications link and fill an important need in portable wireless signaling. However, there are some limitations which must be observed.

The radios are required to comply with FCC Rules and Regulations as Part 15 devices and CE I-ETS 300 440. As such, they have limited transmitter power and therefore limited range. A receiver cannot respond to more than one transmitted signal at a time and may be blocked by radio signals that occur on or near their operating frequencies. Changes or modifications to the device may void FCC and CE compliance. Infrequently used radio links should be tested regularly to protect against undetected interference or fault.

## Specifications

### CAMERA:

IMAGE SENSOR	1/3" Color CMOS Image Sensor
RESOLUTION	330 Horizontal TV Lines
LENS	Board Lens F6mm / F2.0 (62°)
POWER CONSUMPTION	9V DC, 300mA
Illumination	< 0 Lux < 3 Lux with IR at F2.0 (5 meter), IR Activated Automatically
OPERATING TEMP.	14°F - 122°F -10°C - 50°C
DIMENSIONS	4" x 1.5" x 1.7" 100 x 38 x 40 mm (approx.)
WEIGHT	Approx. 140g

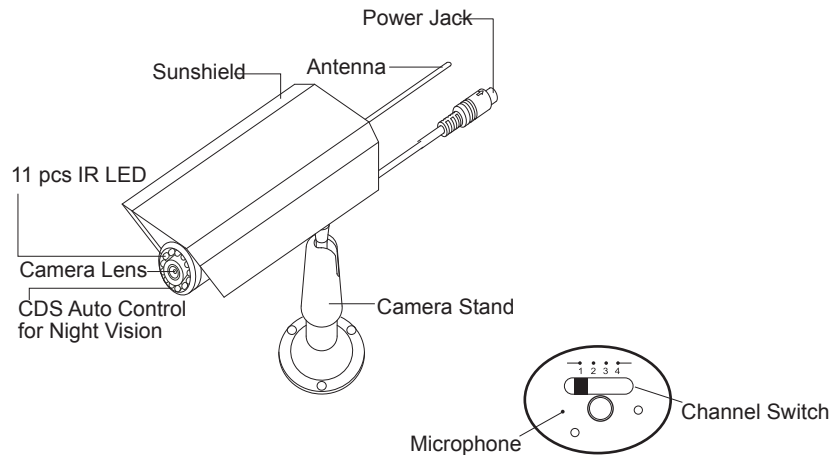
\*Design and specification are subject to change without notice.

## Parts Included with This System

- 2.4 GHz Wireless Color Weather-proof Camera
- Camera Stand
- 9V AC/DC adaptor for the Camera

## Parts of The System

### Parts of the Camera

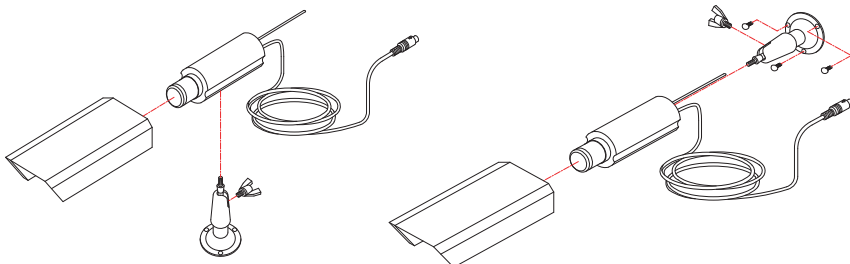


### Installation

Tools you will need: Pencil, Drill, drill Bits, Phillips-head Screwdriver, Hammer

### Installing Mounting Bracket (Camera Stand)

1. Select a mounting location. Use the mounting bracket as a guide and mark the screw holes with a pencil.
2. Drill 1/8" pilot holes over the center of each pencil mark. For mounting on drywall or sheet rock, use the wall anchors provided. Gently tap the anchors into the pilot holes with hammer until they are flush.
3. Align the bracket over the holes or wall anchors and tighten the screw to secure the bracket to the wall or ceiling



## Installing the Wireless Color Weather-proof Camera and Receiver System

To install the system, follow these steps:

### Weather-proof Camera:

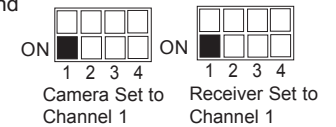
1. Plug the AC/DC adapter cord into the power input jack on the bottom of power cable.
2. Weather-proof camera power will auto on when you plug the AC/DC adaptor into a standard (110V-240V) AC outlet.

### System Setup:

1. Select the channel (Channel 1-4, as indicated on Channel Label) to be used on both the camera and receiver.
2. Set the selected channel by gently pushing the dip-switch for that channel to the ON position on both the camera and the receiver.

For example, to set both the camera and receiver on Channel 1:

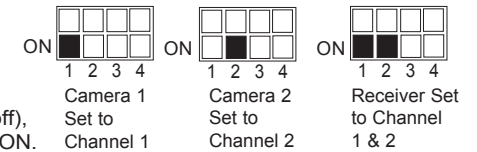
- (a) Push the Channel 1 dip-switch located on the camera and the receiver to the ON position.
- (b) Make sure the remaining dip-switches are in the OFF position. In this case, channels 2, 3 and 4 should be in the OFF position.



### If more than one camera is to be installed and operated at the same time:

Simply follow steps (a) and (b) and set the dip-switches for the other channels on the camera and receiver to ON.

For example, to operate two cameras: set Camera 1 to Channel 1 (other channels off), set Camera 2 to Channel 2 (other channels off), and on the receiver, set channels 1 and 2 to ON.



See "Camera and Receiver Setting Chart" below for more detailed instructions.

**Additional Notice-** When installing the camera, check the reception of the receiver before final installation. Have someone hold the camera in the area to be monitored and another person to check the reception with your TV or monitor. If interference or other problems occur, refer to the Troubleshooting Guide.

### Camera & Receiver Channel Setting Chart

1. This 2.4 GHz system can be connected with up to 4 channels. Set channels on the camera and receiver before starting the system.
2. Set camera and receiver channels by gently pushing the switches with an object such as a pen or pencil to the ON or OFF position. Use the illustrations shown on the right as a guide. The switches are inset into the camera and receiver housings to avoid accidentally changing the channel settings.
3. The Auto Sequential Scanning feature automatically activates when more than one switch is set to ON.

