

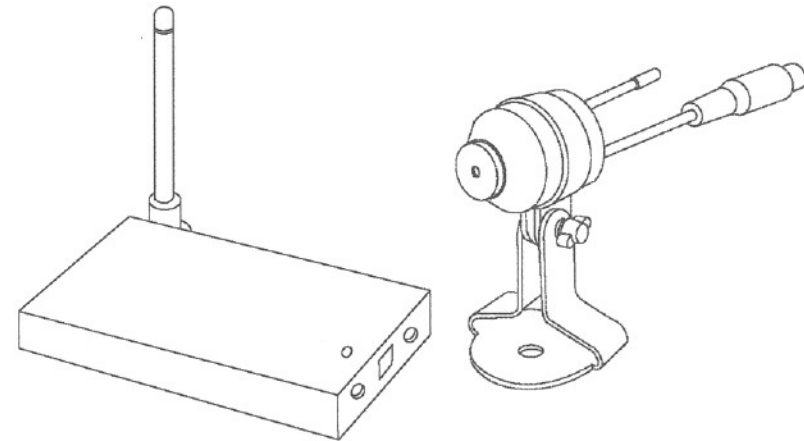
Navigator[®]

User's Manual

Model No.: CCD-405

2.4 GHz Wireless Color Micro Camera

- Receiver with Rod Antenna
- Pinhole Camera with Antenna
- Camera w/ Built-in Microphone



PLEASE READ CAREFULLY AND SAVE

This manual contains important information about this product's operation.
If you are installing this product for use by others you must leave this
manual -or a copy- with the end user.

Important!

Please read this booklet carefully before installing or using these units.

DANGER- HIGH VOLTAGE- These units should **ONLY** be opened by an authorized technician if service is required.

Safety Precautions

For correct and safe operation of this system, it is essential that installers, end-users and service technicians should follow all safety procedures outlined in this manual. Specific Warning and Caution statements (and/or symbols) are marked on the units where needed.

Warning and Caution Statements

"WARNING" indicates a situation where failure to follow proper procedures can cause personal injury.

"CAUTION" indicates a situation where failure to follow proper procedures can cause damage to the equipment.

Federal Communication Commission Interference Statement

This equipment has been tested and found to comply with the limits for a Class B digital device, pursuant to Part 15 of the FCC Rules. These limits are designed to provide reasonable protection against harmful interference in a residential installation.

This equipment generates, uses and can radiate radio frequency energy and, if not installed and used in accordance with the instructions, may cause harmful interference to radio communications. However, there is no guarantee that interference will not occur in a particular installation. If this equipment does cause harmful interference to radio or television reception, which can be determined by turning the equipment off and on, the user is encouraged to try to correct the interference by one of the following measures:

- . Reorient or relocate the receiving antenna.
- . Increase the separation between the equipment and receiver.
- . Connect the equipment into an outlet on a circuit different from that to which the receiver is connected.
- Consult the dealer or an experienced radio/TV technician for help.

FCC Caution :To assure continued compliance, any changes or modifications not expressly approved by the party responsible for compliance could void the user's authority to operate this equipment. (Example - use only shielded interface cables when connecting to computer or peripheral devices).

This device complies with Part 15 of the FCC Rules.

Operation is subject to the following two conditions:

- (1) This device may not cause harmful interference, and
- (2) This device must accept any interference received, including interference that may cause undesired operation.

Contents

Important Safety Precautions.....	
Specifications.....	
Parts Included with This System.....	
Parts of the Wireless Color Micro Camera	
-Parts of the Camera.....	
-Parts of the Monitor.....	
Installation.....	
-Installing the Wireless Color Micro Camera.....	
-Installing the Camera Tripod.....	
Troubleshooting Guide.....	

Important Safety Precautions

Please read before installing

Congratulations on your purchase of the 2.4GHz Wireless Color Micro Camera. Please read these safety and operating instructions carefully before installing and using this system.

- Keep the camera, receiver and AC/DC adapter cord out of reach of children.
- Do not place the camera, receiver or AC/DC adapter cord in a crib or playpen.
- Do not use the camera near water or damp and wet environments, such as a bathtub, laundry tub, kitchen sink, or wet basements.
- Locate the camera, receiver and AC/DC adapter where there is adequate ventilation. Do not locate the camera in direct sunlight.
- Do not locate the camera, receiver and AC/DC adapter near heat sources such as heat registers, radiators, ovens, furnaces or other appliances with high operating temperatures.
- Do not use with extension cords. Use only the AC/DC adapter provided with this system. Use of other adapters may damage the camera or receiver and void your warranty.
- Only plug components into standard household voltage outlets (110V - 240V AC, 50Hz or 60 Hz).
- Do not place cords from the AC/DC adapters, camera or receiver where they can be pinched or stepped on. Protect the cords by keeping them out of the way of children, pets and routine household traffic. Do not place heavy objects on power cords or cover cords with rugs or carpet.
- When cleaning, use a DRY, lint-free cloth. Unplug the camera, receiver and AC/DC adapter before cleaning. NEVER immerse any components in water and do not spray cleaners or solvents on the unit. Doing so may damage the unit or cause electrical shock.
- Unplug the AC/DC adapter from the wall outlet when the system is not in use.
- Mishandling, alterations or modifications not approved by the manufacturer will void the warranty.

⚠ CAUTION!

- Connect this unit ONLY to other compatible units. Do not connect it to any other type of alarm or auxiliary device. Connecting anything else to this unit may damage it or prevent it from operating properly.

⚠ CAUTION!

- Do not paint over the camera.

⚠ CAUTION!

- This system uses public airwaves for wireless operation. The sound and video may be broadcast to and picked up by other 2.4 GHz receiving devices. Conversations and images from other rooms near the camera may be broadcast and picked up. To protect your privacy, always turn the camera off when not in use.

Additional Notice- Do not place video monitor or equipment on an unstable cart, stand or table. The video monitor or equipment may fall causing serious injury to a child or adult.

Troubleshooting Guide

If the Camera and/or Receiver...	You should...
No Power	<ol style="list-style-type: none">1. Check that the power cord(s) is properly connected.2. Check that the receiver is turned ON.3. Wrong AC/DC adapter used. Check that the adapter labeled OUTPUT: 9V DC is connected to the camera, and adapter labeled OUTPUT: 12V DC is connected to the receiver.
No sound or picture. Distorted sound or picture	<ol style="list-style-type: none">1. Check the channel switch settings on the camera(s) and receiver. Make sure the channels match on both units.2. Signal interference from a microwave oven. Check if a microwave oven is in use or located in the path between the camera and receiver. If so, turn it off or move it out of the path.3. Signal interference from other signal producing devices.<ol style="list-style-type: none">(a) Change the channel setting on both camera and receiver.(b) Identify and eliminate the source of the interference.(c) Relocate the camera and/or receiver closer to each other.4. Camera and receiver are too far apart. Relocate the camera and/or receiver.

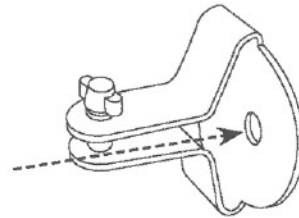
Installation

Tools you will need: Pencil, Drill, Drill Bits, Phillips-head Screwdriver, Hammer

Installing Mounting Brackets (Camera Stand)

1. Select a mounting location. Use the mounting bracket as a guide and mark the screw holes with a pencil.
2. Drill 1/8" pilot holes over the center of each pencil mark. For mounting on drywall or sheet rock, use the wall anchors provided. Gently tap the anchors into the pilot holes with hammer until they are flush.
3. Align the bracket over the holes or wall anchors and tighten the screws to secure the bracket to the wall or ceiling.

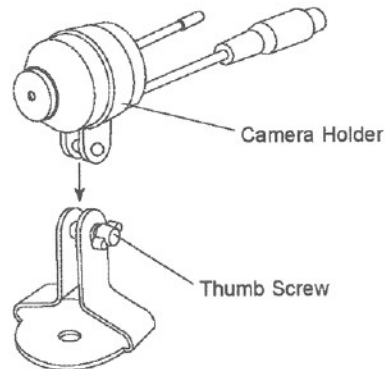
Attach Stand to
Mounting Surface



Camera Stand

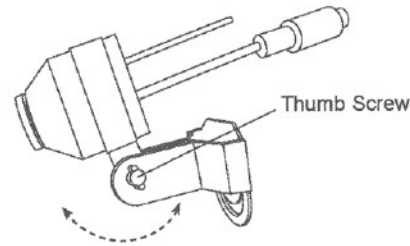
Installing and Aligning the Camera on the Mounting Bracket (Camera Stand)

1. Slide the camera into the camera holder.
2. Line up mounting holes of the camera holder and the bracket.
3. Insert thumb screw, adjust camera to desired angle and tighten screw.



Rotating the Camera

Loosen up the Thumb Screw and adjust the camera to desired angle, then tighten the screw.



180° rotation availability,
90° of aiming availability for the lens.

FCC/CE WARNING

This equipment generates and uses radio frequency energy and if not installed and used properly, that is, in strict accordance with the manufacture's instructions, may cause interference to radio and television reception. It has been tested and found to comply with limits for a Class B digital device in accordance with Part 15 of FCC Rules and CE I-ETS 300 440, which are designed to provide reasonable protection against such interference in a residential installation. However, there is no guarantee that interference will not occur in a particular installation. If this equipment does cause interference to radio or television reception, which can be determined by turning the equipment off and on, the user is encouraged to try to correct the interference by one or more of the following measures:

1. Reorient the TV/radio antenna.
2. Relocate the Receiver away from the TV/radio receiver.
3. Plug the Receiver into a different wall outlet so that the Receiver is on a different branch circuit
4. If necessary, the user should consult the dealer or an experienced radio/television technician for additional suggestions.

The user may find the following booklet prepared by the Federal Communication Commission helpful "How to Identify and Resolve TV Interference Problems." This booklet is available from the US Government Printing Office, Washington, D.C. 20402, Stock No. 004-000-00345-4.

FCC/CE NOTICE

The user is cautioned that changes or modifications not expressly approved by the manufacturer could void the user's authority to operate the equipment. Linear radio controls provide a reliable communications link and fill an important need in portable wireless signaling. However, there are some limitations which must be observed. The radios are required to comply with FCC Rules and Regulations as Part 15 devices and CE I-ET 300 440. As such, they have limited transmitter power and therefore limited range. A receiver cannot respond to more than one transmitted signal at a time and may be blocked by radio signals that occur on or near their operating frequencies. Changes or modifications to the device may void FCC and CE compliance. Infrequently used radio links should be tested regularly to protect against undetected interference or fault.

Specifications

RECEIVER:

RECEIVING DISTANCE Up to 300 Feet
(Clear Line of Sight)

VIDEO OUT 1 Vp-o 75 Ohm

AUDIO OUT 1 Vp-p 600 Ohm

POWER SUPPLY 12V DC, 200 mA

OPERATING TEMP. 32°F - 122°F
0°C - 50°C

DIMENSIONS Approx. 5.1" x 3.3" x 1.6"
1.1 x 8.1 x 4cm (LxWxH)

WEIGHT Approx. 0.3LB/160g

CAMERA:

IMAGE SENSOR 1/3" Color CMOS
Image Sensor

RESOLUTION 300 Horizontal TV Lines

LENS 6mm

POWER SUPPLY 9V DC, 200mA

OPERATING TEMP. 32°F - 122°F
0°C - 50°C

DIMENSIONS Approx. 1" x 1" x 1.1"
2.6 x 2.6 x 2.7cm (LxWxH)

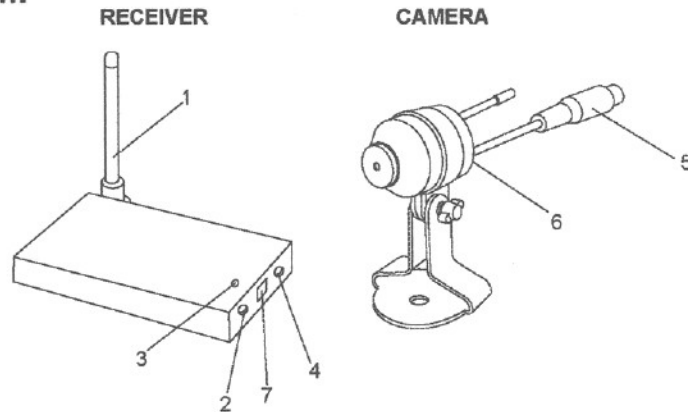
WEIGHT Approx. 0.2LB/40g

Accessory List:

- 2.4GHz Color Camera	1pcs
- 2.4GHz 4-channel A/V Receiver	1pcs
- DC Power for Receiver (DC 12V)	1pcs
- DC Power for Camera (DC 9V)	1pcs
- A/V Cable	1pcs

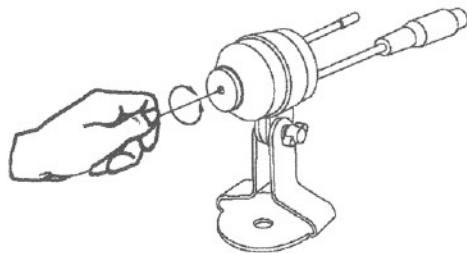
Parts of the System

1. Receiver Antenna
2. Receiver Power Socket
3. Receiver Indicator
4. Audio / Video Jack
5. Camera Power Jack
6. Microphone
7. Channel-switch



Operation Manual (refer to attached graph)

1. Plug the power jack into the power socket of the receiver, upon which the power indicator ③ turns on;
2. Connect one end of the A/V wire ④ to the receiver and the other to the monitor. Set the monitor on A/V mode.
3. Plug the power jack into the power socket of the camera
4. The receiver's channel is preset to a certain channel (Please refer to the channel sticker on camera). Dial receiver's channel switch ⑦ to corresponding channel of wireless camera until the monitor receives the image (usually already put in the corresponding channel).
5. Camera lens is adjustable by hand. Gently adjust lens either clockwise or counter clockwise until the image is focused. Caution: DO NOT touch the glass part of the lens.



Installing the Wireless Color Micro Camera

When installing the camera, check the reception of the receiver before final installation. Have someone to hold the camera in the area to be monitored. Have another person move the receiver to a variety of locations throughout the house to check reception. If interference or other problems occur, refer to the Troubleshooting Guide.

To install the system, follow these steps:

Camera:

1. Plug the 9V AC/DC adapter cord into the DC Input Jack on the back of the camera.
2. Plug the adapter into a standard (110V-240V) AC outlet.

Receiver:

1. Plug the AC/DC adapter cord into the DC input jack on the back of the receiver.
2. Plug the audio/video cord to the audio/video output jack of the receiver. Plug the other end of the cord to the audio/video input jacks on your TV or monitor.
3. Plug the 12V AC/DC adapter into a standard (110V-240V) outlet. The power indicator LED located on the top of the receiver should light.

System Installation:

1. Please refer to the Channel Sticker on the camera to know what channel to be used. Select the channel (Channel 1-4) to be used on the receiver.

NOTE: Make sure the camera and receiver are set to **the same channel** (1, 2, 3 or 4

2. Set the selected channel by gently pushing the dip-switch to the ON position on the receiver to be the same channel (1,2, 3 or 4) as camera and remain other channel to be OFF position.
For example, to set both the camera and receiver on Channel 1:
If the label on the camera shows CH1., simply push the Channel Selection Key on the receiver to select Channel.

3. Repeat the above procedure if other channel of the camera is used.

4. **The auto-sequence feature is activated** when more than one channel is switched ON. Receiving unit is equipped with 4 channels reception feature, you can connect and operate more than one camera with sequential scanning display feature with a 5 seconds interval. For example, the channel switch [1,2,3,4] on the receiver need to be selected to "ON" position in order to match the camera channel selected (Please refer to the channel sticker on the camera to know what channel to be used).