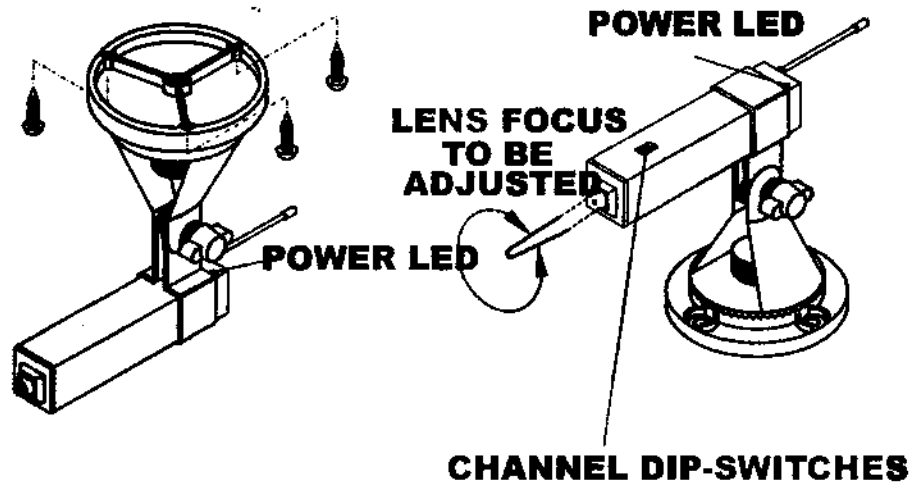


Navigator

MOUNTING BRACKET UNIT



USER'S MANUAL

Navigator Installation Instructions

2.4GHz Ultra High Frequency * Ultra Small Size

Dear Users,

We would like to thank you for your purchase of this "Super Mini" color wireless observation system. In order to obtain the best performance, please read this manual carefully, and follow the step-by-step instruction for installation and operation.

(1). Package Contents

- One wireless receiver with integrated paddle antenna.
- One "Super Mini" wireless camera contained 2 pcs built-in NI-MH rechargeable batteries and a separated antenna. Please insert the antenna to the position "ANT." on the camera rear panel and screw it tightly.
- One audio/video cable for connecting the receiver to your TV or monitor for audio and video display.
- One unique compact camera stand (wall mounting bracket).
- One DC 10V adaptor [for receiving unit use only]
- One DC 5V adaptor [for camera use only]

(2). Operate Instruction

- There are two pieces built-in NI-MH rechargeable batteries inside the transmitting unit, each full charge with adaptor provided will enable camera to be operated for more than 2 hours (please make sure you fully charge the batteries inside the camera for over 8 hours before the initial usage).
- Please always switch the camera power switch to "OFF" position while camera is charging or not using.
- Camera lens focus has been preset at the best condition at production, please adjust for a better focus by slightly wrench the lens with pincers only if necessary.
- Both receiver and camera are with 3 channels dip-switches, you can connect and operate more than one camera with sequential scanning display at the same time.
- The receiver's channel switch [1,2,3] needs to be selected to "ON" position in order to match the camera channel selected. For example, *if you want to use channel 1 & 2 for operation, simply push the channel 1 & 2 dip-switch of both receiver and camera to "ON" position, other dip-switches should remain in "OFF" position.*

Notice: The changes or modifications not expressly approved by

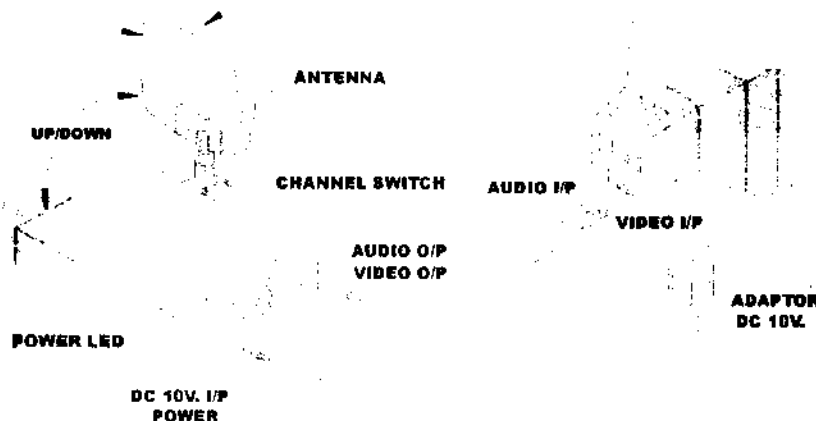
the party responsible for compliance could void the user's authority to operate the equipment.

Installation Diagram

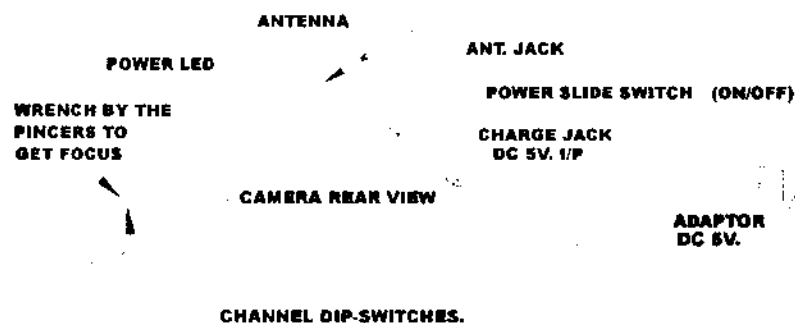
RECEIVING UNIT

CLOCKWISE/COUNTERCLOCKWISE 300

TV/MONITOR



TRANSMITTING UNIT



MINI V
WIRELESS STEALTH CAM CCTV