

## Important Safety Precautions

### Please read before Installing

Congratulations on your purchase of the 2.4GHz Wireless Monitoring System. Please read these safety and operating instructions carefully before installing and using this system.

- Keep the camera, monitor and AC/DC adapter cord out of reach of children.
- Do not place the camera, monitor or AC/DC adapter cord in a crib or playpen.
- Do not use the camera near water or damp and wet environments, such as a bathtub, laundry tub, kitchen sink, or wet basements.
- Locate the camera, monitor and AC/DC adapter where there is adequate ventilation. Do not locate the camera in direct sunlight.
- Do not locate the camera, monitor and AC/DC adapter near heat sources such as heat registers, radiators, ovens, furnaces or other appliances with high operating temperatures.
- Do not use with extension cords. Use only the AC/DC adapter provided with this system. Use of other adapters may damage the camera or monitor and void your warranty.
- Only plug components into standard household voltage outlets (110V - 240V AC, 50Hz or 60 Hz).
- Do not place cords from the AC/DC adapters, camera or monitor where they can be pinched or stepped on. Protect the cords by keeping them out of the way of children, pets and routine household traffic. Do not place heavy objects on power cords or cover cords with rugs or carpet.
- When cleaning, use a DRY, lint-free cloth. Unplug the camera, monitor and AC/DC adapter before cleaning. NEVER immerse any components in water and do not spray cleaners or solvents on the unit. Doing so may damage the unit or cause electrical shock.
- Unplug the AC/DC adapter from the wall outlet when the system is not in use.
- Mishandling, alterations or modifications not approved by the manufacturer will void the warranty.

#### ⚠ CAUTION!

- Connect this unit ONLY to other compatible units. Do not connect it to any other type of alarm or auxiliary device. Connecting anything else to this unit may damage it or prevent it from operating properly.

#### ⚠ CAUTION!

- Do not paint over the camera.

#### ⚠ CAUTION!

- This system uses public airwaves for wireless operation. The sound and video may be broadcast to and picked up by other 2.4 GHz receiving devices. Conversations and images from other rooms near the camera may be broadcast and picked up. To protect your privacy, always turn the camera off when not in use.

#### IMPORTANT!

**ACCESSORIES-** Do not place video monitor or equipment on an unstable cart, stand or table. The video monitor or equipment may fall causing serious injury to a child or adult, and serious damage to the equipment. Wall or shelf mounting should follow the manufacturer's instruction, and should use a mounting kit approved by the manufacturer.



- Video monitor equipment and cart combinations should be moved with care.
- Quick stops, excessive force, and uneven surfaces may cause the equipment and cart combination to overturn.

**VENTILATION-** Slots and openings in the cabinet and the back or bottom are provided for ventilation and to ensure reliable operation of the video monitor or equipment and to protect it from overheating. These openings must not be blocked or covered. The openings should never be blocked by placing the video monitor on a bed, sofa, rug, or other similar surface. Video monitor or equipment receiver should never be placed near or over a radiator or heat register. Video monitor or equipment receiver should not be placed in a built-in installation such as a bookcase unless proper ventilation is provided.

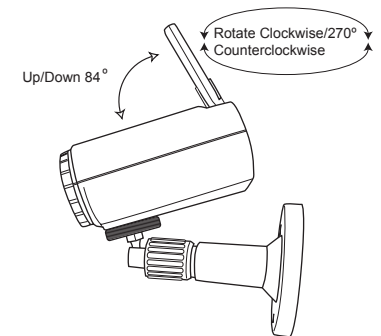
## Rotating the Antenna for Best Performance

This system broadcasts its high-quality audio and video using directional antenna. The antenna can rotate in either clockwise or counterclockwise directions to obtain the best signal and picture clarity.

#### IMPORTANT!

See the instructions shown below to rotate the antenna. **Rotating the antennas beyond the specified range will result in permanent damage to both antenna and the mechanical stop. The camera's antenna will NOT rotate 360 degrees.**

In most situations, the flat pitted face of the antenna on both the camera should be facing the monitor. Since all rooms are different, additional adjusting of the antenna may be necessary to get optimal performance. If the camera and monitor are less than 10 feet apart, leave the antenna in the closed (down) position. See the instructions shown on the right to rotate the antenna.



## Monitor to A/V Function

The monitor has audio/video outputs which can be used to transfer the picture and sound from the monitor screen to a TV screen. Connect the A/V outputs to the A/V input on a TV set for a large screen display, or connect the A/V outputs to the A/V inputs on a VCR to record transmissions from the camera.