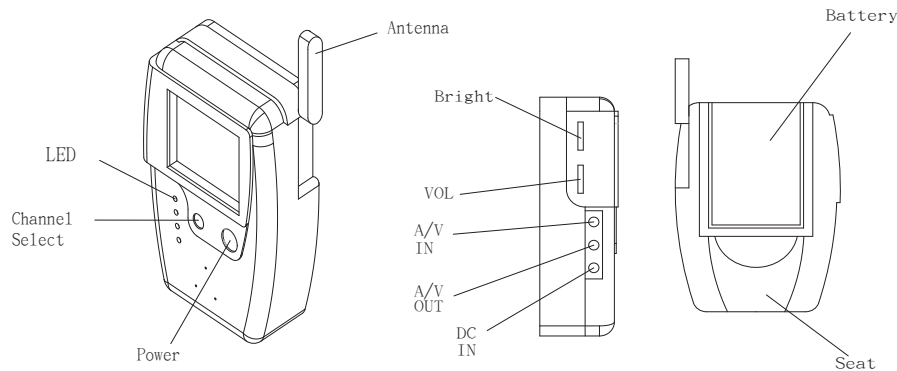
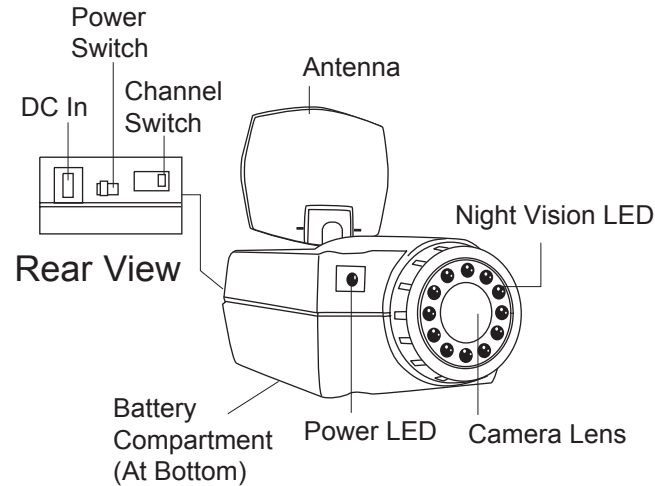


Parts Included with This System

- Camera with Built-In Transmitter □ □
- 5V AC/DC Adapter for the Monitor
- 2.5" Color TFT LCD Monitor with Built-In 2.4 GHz Receiver
- Camera Stand □ □ □ □
- 10V AC/DC Adapter for the Camera
- 1.5m A/V Cable

Parts of the Wireless Monitoring System

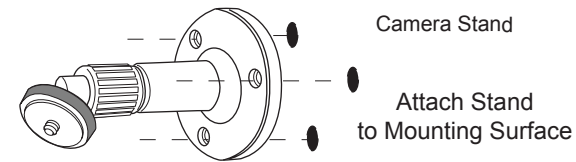


Installation

Tools you will need: Pencil, Drill, Drill Bits, Phillips-head Screwdriver, Hammer

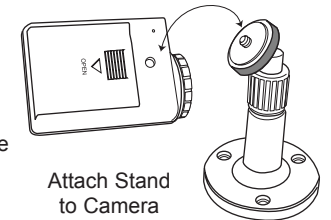
Installing Mounting Brackets for Camera

1. Select a mounting location. Use the mounting bracket as a guide and mark the screw holes with a pencil.
2. Drill 1/8" pilot holes over the center of each pencil mark. For mounting on drywall or sheet rock, use the wall anchors provided. Gently tap the anchors into the pilot holes with hammer until they are flush.
3. Align the bracket over the holes or wall anchors and tighten the screws to secure the bracket to the wall or ceiling.



Installing and Aligning the Camera on the Mounting Bracket (Camera Stand)

1. Remove camera platform and ball joint from the mounting bracket adjustment collar.
2. Secure the camera to the camera platform on the adjustment collar. Hand tighten the screw to the threaded insert located in the base of the camera.
3. For battery operation, insert batteries as detailed below.
4. Secure the camera, camera platform, and ball joint to the mounting bracket until tight.
5. Adjust the camera. Rotate the ball joint and/or collar slot while tightening to align the lens in the direction of preferred sight.
6. If the unit was shipped with a black lens cap, remove it.



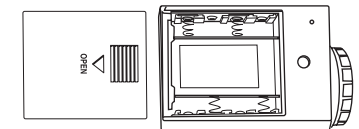
Installing or Replacing Batteries in the Camera

IMPORTANT! When installing or replacing batteries:

1. Do not mix old and new batteries. Replace all the batteries at the same time.
2. Do not mix alkaline, standard and rechargeable batteries. Use one type of battery.
3. When storing the units or during long periods of non use, remove the batteries.

Failure to remove the batteries may damage the unit. The camera uses 4 "AA" size (R6) batteries to operate on battery power. To install/replace batteries:

1. Remove the battery cover by pushing the lock area marked "OPEN".
2. Insert (or remove) 4 "AA" size batteries.



NOTE: Install batteries using the polarity markings (+ and -) in the battery compartment.