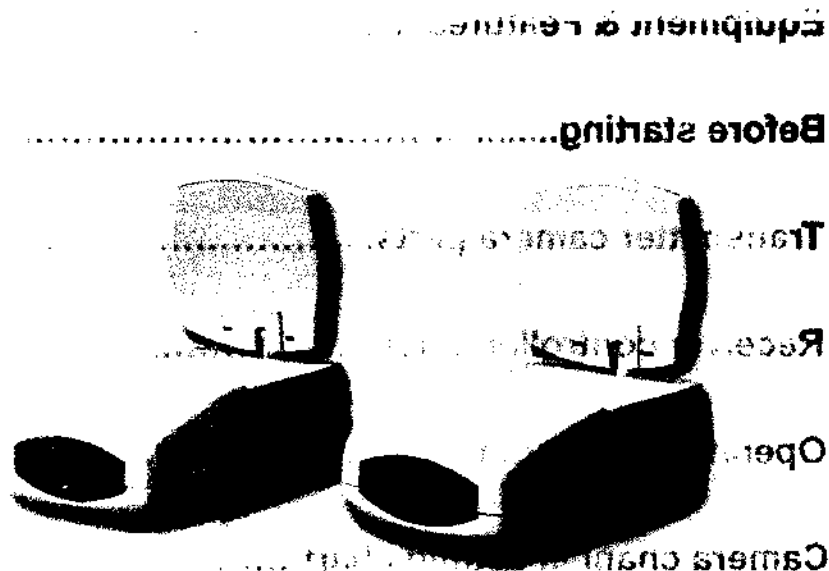


WIRELESS CCD CAMERA OBSERVATION SYSTEM



OPERATION
MANUAL

Page

Index.....1

Equipment & Features.....2

Before starting.....3

Transmitter camera parts.....4

Receiver controller parts.....5

Operating Procedure.....6

Camera channel setting chart.....8

Receiver installation and adjustment.....9

Note to user.....10

Equipment :

- Single receive controller
- Single transmitter camera
- Two DC 10 volts apators
- Single audio / video connecting cord
- Single set of camera mounting bracket

Features :

- Simultaneous video and audio transmission
- Ultra high frequency
- PLL anti-interference design
- Wireless, keep interior decoration free from damage of cable installation
- Mobile convenience, can be moved to other locations in 3 minutes
- D.I.Y. installation in 10 minutes, no need for expansive electricians
- Can be used with monitor, TV or VCR
- 1/3" pin-hole size camera lens for discreet location
- Wide angle lens with low light viewing
- Up to 3 channels for 2.4GHz model

MANUAL

Before starting :

- Avoid placing equipment under direct sun light
- Avoid placing at damp place or near moisture
- Avoid placing at place with frequent vibration
- Do not 1.2GHz model within 150 meters indoor, 300 meters outdoor
2.4GHz model 50 meters indoor, 150meters outdoor

Setup

Features :

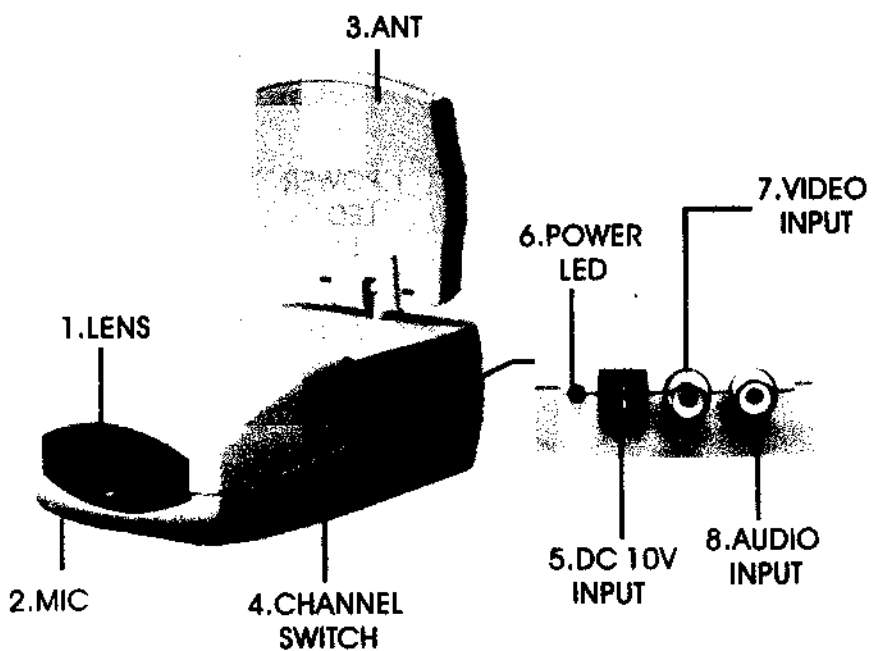
- Simultaneous video and audio
- Ultra high frequency
- PLL and interference design
- Wireless, keep interior decoration free from any cable
- Portable convenient, can be moved to other locations at will
- C.T.V. installation in 10 minutes, no need for special equipment
- Can be used with monitor, TV or VCR
- 17 pin-hole slots, can be used in any location
- Video signal lens with low light viewing
- 2 channels for S.A.T. and the

Transmitter camera parts :

1. Lens
2. Microphone
3. Antenna
4. Channel setting switch
5. Adaptor jack
6. Power indicator
7. Video output
8. Audio output

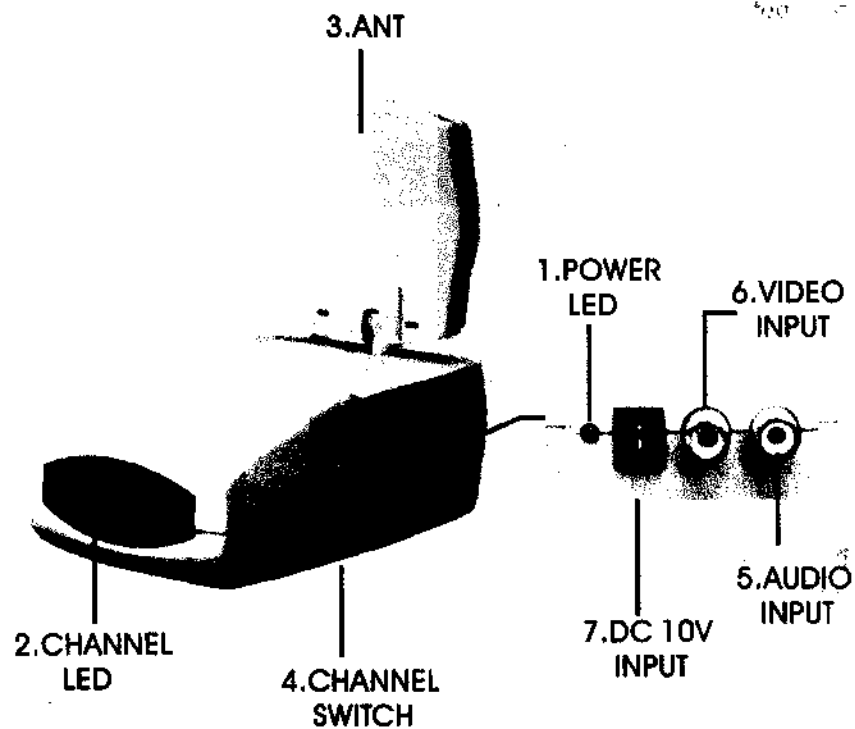
Receiver controller parts :

1. Power indicator LED
2. Channel display LED
3. Antenna slot
4. Channel setting switch
5. Audio output jack
6. Video output jack
7. Adaptor jack



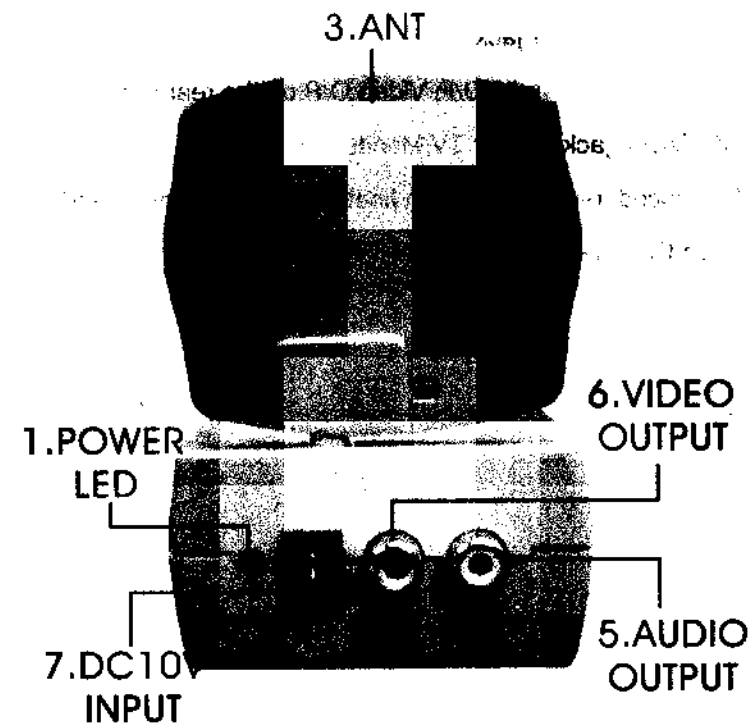
Receiver controller parts :

1. Power indication LED
2. Channel display LED
3. Antenna seat
4. Channel setting switch
5. Audio output jack
6. Video output jack
7. Adapter jack



Connecting the camera

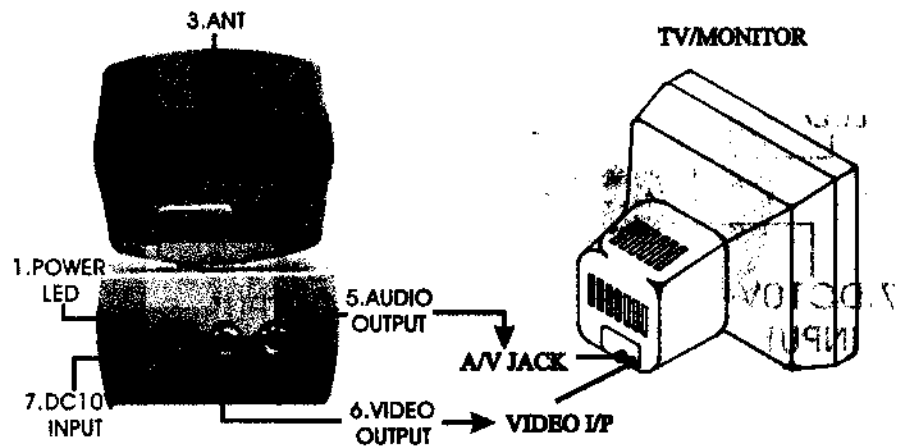
1. Connecting the adaptor to adaptor jack and the power LED will light.



Operating Procedure

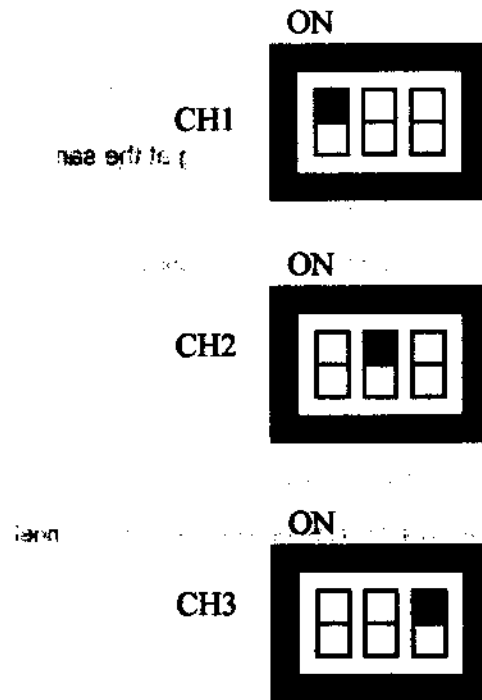
A: Connecting the receiver

1. Connect the adaptor to the adaptor jack. (DC IN)
2. Connect the audio/video cord to Audio O/P, Video O/P on the rear of the receiver and to Audio/Video jack of your TV/Monitor.
3. After completing 1-3 procedures, the power indication LED will light up and indicating channels on Channel display LED.



Camera channel setting chart :

- 1.CCD-730X (2.4GHz) can be extended for 3 channels. Please set camera channels before starting this system.
- 2.Set camera channels by lightly pushing the switches to on or off position according to the channel setting chart.
- 3.The witches are located inside the body of the camera to avoid accidental contact that might reset channel setting. Use firm object such as pen or pencil to toggle the switches when setting channels.



Receiver installation and adjustment

A. Channel Selection:

1. Setting the receiver channel according to the channel of the camera. That is if the camera is on CH 1, the receiver also has to be on CH 1.
2. Use the channel selection switch to select desired camera [Indicated by LED display]

B. Setting effective camera for channels scan function:

1. If you would like to use more than one camera monitoring at the same time, selection the channel switch simultaneously.
[1]. The receiver/controller will scan each preset channel 3 seconds.

Example of channel storage:

Intend to set No.1, No.2, No.3, for channel scan function:

- [1]. Switch the channel switch 1,2,3 all "ON" the receiver will scan each channel every 3 seconds.



Note to user :

The Navigator CCD-730X is fine-tuned wireless video/audio transmission device.

The multifunction and features will serve you in many different areas. The connection between the camera and base controller is based on one way radio frequency, it might be possible to be effected by strong electromagnetic field, high power radio frequency or appliance such as microwave oven. It is recommended to keep the source of these interference as far away as possible from the wireless CCD observation system.

If your wireless CCD camera observation system is not receiving good picture signals, check for the above sources and make appropriate adjustments if necessary.

1.Adjust antennas

2.Place transmitter and receiver away from strong magnetic field appliances such as microwave oven, computers or other similar wireless communication products.

3.Adjust TV or monitor picture resolution controls. The operating condition of the wireless CCD camera observation system is closely tied to the surrounding environment.

The less obstructions the better the reception between camera and base controller.

If it requires, please focus camera by slowly turning the lens to optimum clarity. Use a grip to assist if necessary.

As for FCC regulation channel space between each channel is 30MHz. When using two channels intended to use to avoid channel adjacent. For example: CH1&CH3.

When using more than two cameras monitoring, place each camera at appropriate position to avoid interference form other cameras.

Notice : The changes or modifications not expressly approved by the party responsible for compliance could void the user' s authority to operate the equipment.

