

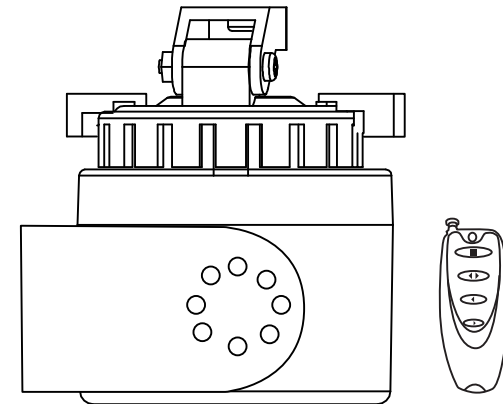
User Manual

Auto Pan Scan Platform with Remote Control

Model No.: MP-7012

Includes:

- (1) Rotating Camera Platform
- (1) Remote Control
- (1) 9V AC/DC Adaptor
- (1) Platform mounting bracket and hardware
- (1) Extra Camera Mounting Plate



PLEASE READ CAREFULLY AND SAVE

This manual contains important information about this product's operation. If you are installing this product for others, you must leave this manual -or a copy- with the end user

No.: MP-7012

Contents

Safety and Hazard Notices 3.

Major Operation Components 4.

Installation 4.

 Camera Mounting 5.

 Wall Mounting 5.

 Cable Connection 6.

Operating Procedures..... 6.

Panning Range Adjustment..... 8.

Technical Data 9.

Trouble Shooting 10.

Maintenance..... 10.

Parts Included in This System

- (1) Rotating Camera Platform
- (1) Remote Control
- (1) 9V AC/DC Adaptor
- (1) Platform mounting bracket and hardware
- (1) Extra Camera Mounting Plate

Troubleshooting



Observe the safety notices under all circumstances!

Error	Possible cause
Platform does not rotate at all	<ul style="list-style-type: none"> • Check if power cable plug-in correctly • Check if controller battery low. Change battery (screw open the back cover then change a new 12V battery, Energizer A27 or Duracell MN27 is recommended) • The distance between platform and controller is too far. Stand closer to control the platform. • Weight overload. The platform is designed for smaller camera under 7.0lb. • Cable jammed. Stretch cable(s) attached to camera, allowing platform to rotate.
Platform rotates, but not smooth	<ul style="list-style-type: none"> • The distance between platform and controller is too far. Stand closer to control the platform. • Weight overload. The platform is designed for smaller camera under 7.0lb. • Cable jammed. Stretch cable(s) attached to camera, allowing platform to rotate.



Other repairs as described above may only be performed by an authorized technician.

Maintenance

The devices are maintenance-free. Only clean the outside of the devices using a soft, dry cloth or a brush. Unplug prior to cleaning. Do not paint the camera or the receiver. Do not disassemble. Disassembly voids the warranty.



Do not use any carboxylic cleaning agents or petrol, alcohol or similar which will destroy the surfaces of the devices. Do not use any sharp edged tools, screw drivers, metal brushes or similar for cleaning.

Important!

Please read this Manual carefully before installing or using these units.

WARNING- These units should ONLY be disassembled by an authorized technician if service is required.

Safety Precautions

For correct and safe operation of this system, it is essential that installers, end-users and service technicians should follow all safety procedures outlined in this manual. Specific Warning and Caution statements (and/or symbols) are marked on the units where needed.

Warning and Caution Statements

"WARNING" indicates a situation where failure to follow proper procedures can cause personal injury.

"CAUTION" indicates a situation where failure to follow proper procedures can cause damage to the equipment.

Important Safety Precautions

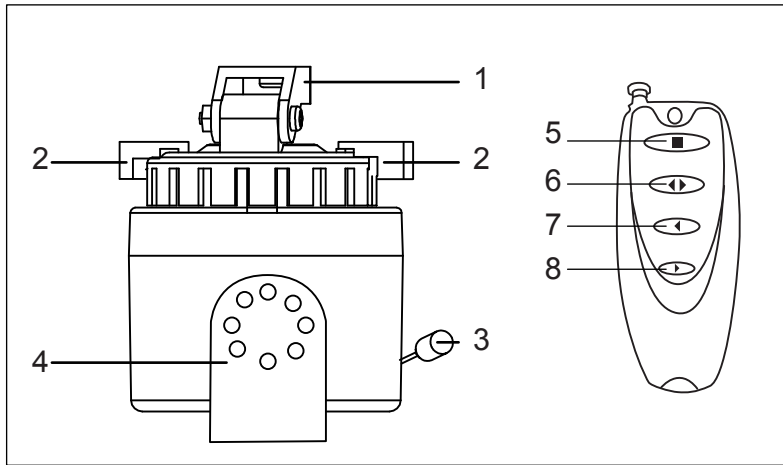
Please read before installing & using this product



Damages caused by non-compliance with this operating manual void the warranty! We will not assume any liability for damages to items or persons caused by improper handling or non-compliance with the safety notices! Any warranty claim will be null and void in such cases.

- Make sure that all electric connections and connection cables between the devices of the camera system as well as the devices to be connected meet the pertaining regulations and are in conformity with the operating instructions.
- In schools, training facilities, hobby and self-help workshops, qualified personnel needs to supervise the operation of electronic devices.
- Also observe the safety notices and operating instructions of the other appliances connected to the system.
- Please contact an expert in case you have any doubts about the mode of operation, the safety or connecting the appliances.
- Never plug-in or unplug the power supply with wet hands.
- Never tug on the power cords, use the plug to unplug it from the socket.
- Make sure that the power cables do not get crushed or damaged by sharp edges when installing the devices.
- Never replace damaged power cables yourself! Take the device to a qualified repair technician.

Major Operating Components



1. Camera Mounting plate
2. Pan Limit Stops
3. DC In for Platform Adaptor
4. Mounting Bracket

5. Stop Button
6. Auto Pan Button
7. Pan Left Button
8. Pan Right Button

Installation

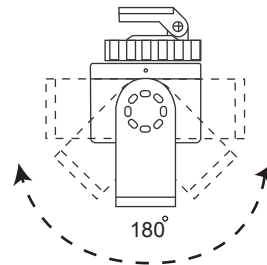


THIS UNIT IS DESIGNED FOR EITHER UPRIGHT OR HORIZONTAL INSTALLATIONS. THE UNIT MUST BE INSTALLED IN A WEATHERPROOF ENCLOSURE OR A PROTECTED AREA.

Follow the instructions provided with mounting bracket. Mount and mounting surface must be able to support the weight of the pan/ tilt, camera and enclosure (if used). The camera/ enclosure must be properly mounted and balanced on the mounting bracket.



CAUTION!
STRONGLY NOT RECOMMEND TO MOUNT THE PLATFORM INVERTED!!!
THE MAXIMUM LOAD FOR THE PLATFORM IS 6.6lb.



Technical Data

Rotating Camera Platform

Operating voltage	9V/500mA
Transmitting frequency	315MHz
Modulation	FM / ASK
Transmitting Range	approx. 300ft at free visibility or 150ft indoor
Operating temperature	14° F to 122° F
Maximum Load	6.6lb
Pan Angle	0° to Panorama View
Pan Speed	7° per second
Weight (w/o bracket)	0.216lb
Dimensions (w/o bracket)	3.74 x 2.91 x 2.91 in

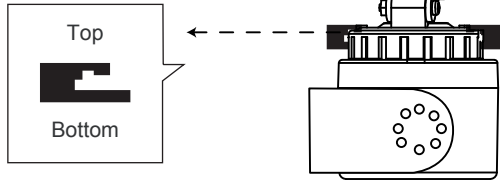
Remote Control

Batt. Type <input type="checkbox"/> <input type="checkbox"/>	<input type="checkbox"/> 12V Alkaline Battery
Transmitting Frequency <input type="checkbox"/> <input type="checkbox"/>	<input type="checkbox"/> 315 MHz
Modulation	FM / ASK
Transmitting Range <input type="checkbox"/>	<input type="checkbox"/> approx. 300ft at free visibility or 150ft indoor

Note: You can buy replacement battery from following brands and battery codes: CNB 27A, Duracell MN27, Energizer A27, Gold Peak GP27A, Golden Power A27, Motorola SNN4176A, RadioShack ALK27A, Varta V27GA, Vinnic L828

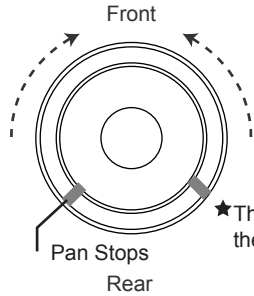
Panning Range Adjustment

Pan Limit Stops

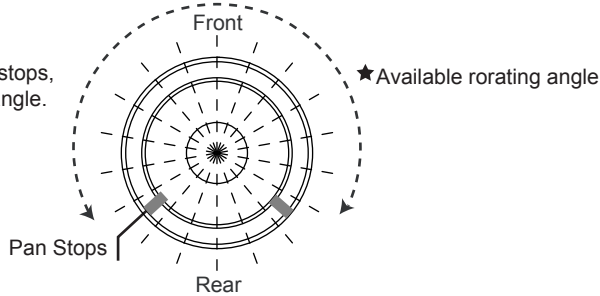


Pan Stops

(Top View of the platform)

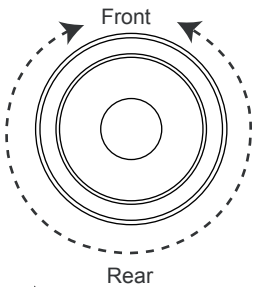


Locate the 2 limit stops on the camera base. The Pan stops are positioned on each side of pan switch lever. The pan stops may be repositioned or removed depending on the desired operation.



Auto-Pan Operation

(Pan Stops Removed)



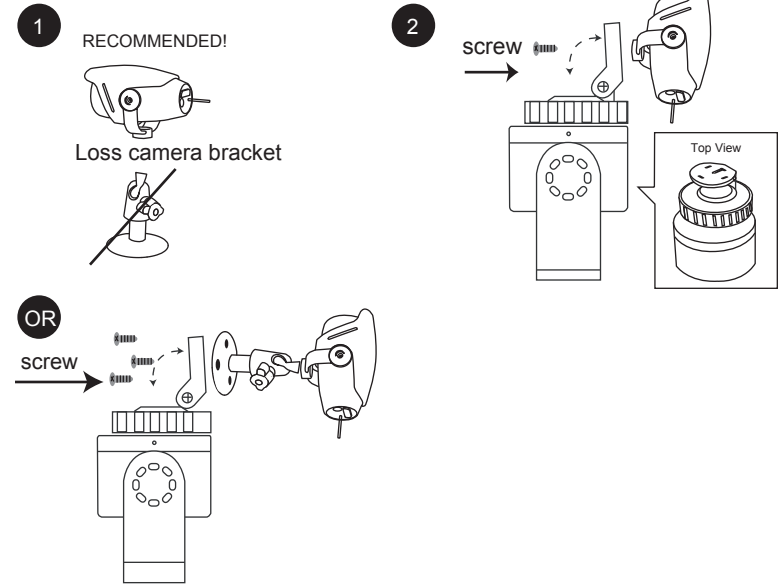
The auto-pan function is controlled by the remote control sensing changes in current flow through the pan motor. When a pan stop is removed, the unit panned continuously left or right for Panorama View.



CAUTION: THE PAN LIMIT STOPS SHOULD NOT BE ADJUSTED WHILE UNIT IS OPERATING

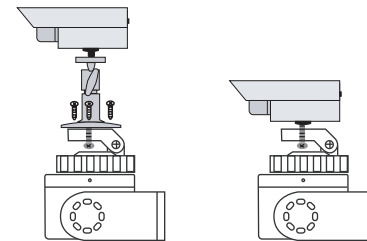
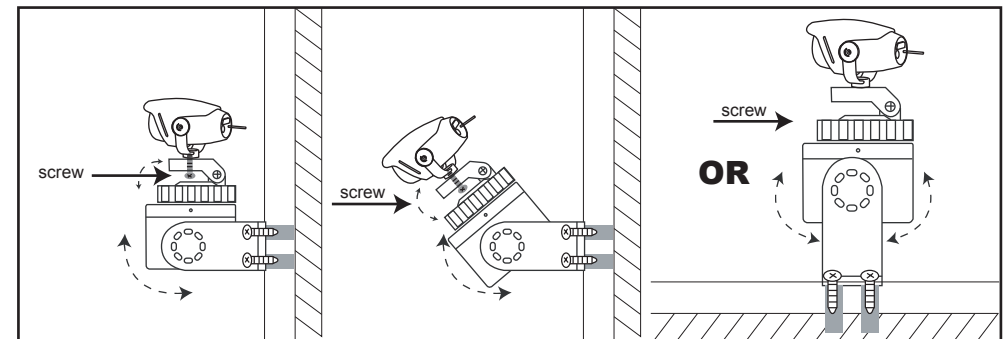
1. Camera Mounting

Mount the camera/ enclosure to the platform bracket as follows:



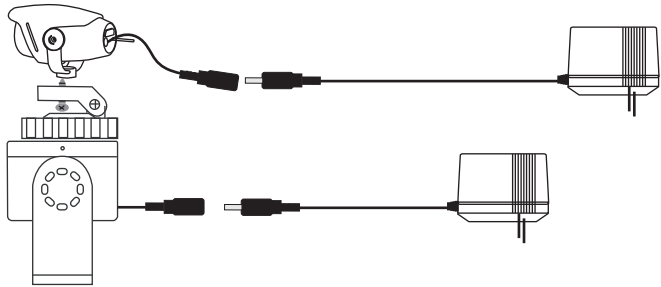
1. Wall Mounting

Balance the camera/ enclosure and adjust the unit to align with mounting holes. Fasten with the screws



If you are using your own camera, please loss camera stand then mount camera only onto the platform

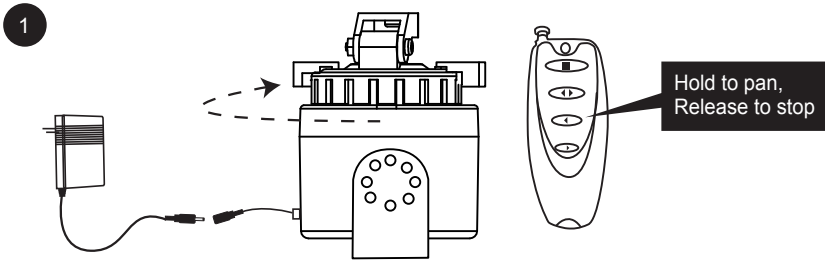
1. Cable Connection



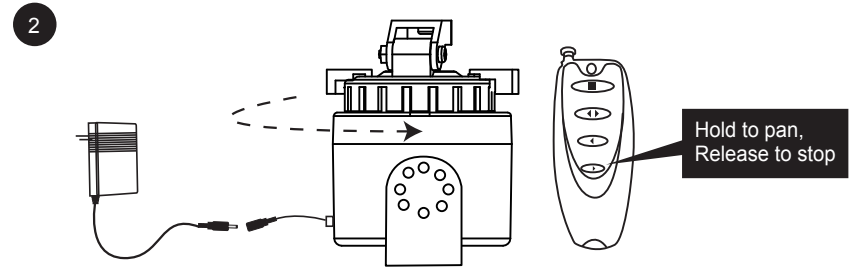
Make all electrical connections. Leave sufficient loops of cable between camera/ enclosure and platform to allow for panning.

Operating Procedures

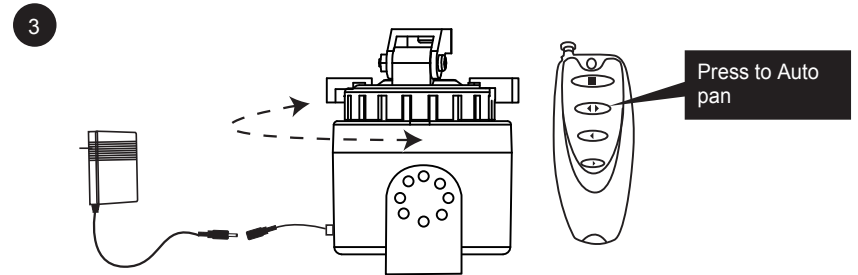
After the unit is installed and all wire connection are made. Operate the control unit to the desired position by using the Remote Control.



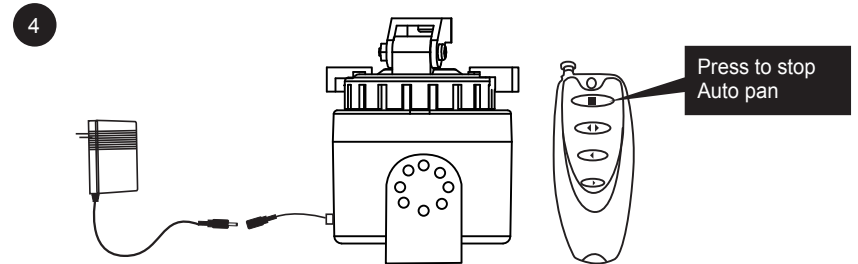
1. Hold the ◀ button to pan left. Release ◀ button to stop.



2. Hold the ▶ button to pan right. Release ▶ button to stop.



3. By press the ◀▶ button to pan left and right automatically



4. By press the ■ button to stop auto pan.

Federal Communication Commission Interference Statement

This equipment has been tested and found to comply with the limits for a Class B digital device, pursuant to Part 15 of the FCC Rules. These limits are designed to provide reasonable protection against harmful interference in a residential installation.

This equipment generates, uses and can radiate radio frequency energy and, if not installed and used in accordance with the instructions, may cause harmful interference to radio communications. However, there is no guarantee that interference will not occur in a particular installation. If this equipment does cause harmful interference to radio or television reception, which can be determined by turning the equipment off and on, the user is encouraged to try to correct the interference by one of the following measures:

- Reorient or relocate the receiving antenna.
- Increase the separation between the equipment and receiver.
- Connect the equipment into an outlet on a circuit different from that to which the receiver is connected.
- Consult the dealer or an experienced radio/TV technician for help.

FCC Caution :To assure continued compliance, any changes or modifications not expressly approved by the party responsible for compliance could void the user's authority to operate this equipment. (Example - use only shielded interface cables when connecting to computer or peripheral devices).

This device complies with Part 15 of the FCC Rules. Operation is subject to the following two conditions:

(1) This device may not cause harmful interference, and (2) This device must accept any interference received, including interference that may cause undesired operation.