

JVC KW-AVX900

Installation/Connection Manual

LVT1670-005A
[A]

0307MNMDWJEIN
EN

©2007 Victor Company of Japan, Limited

This unit is designed to operate on **12 V DC, NEGATIVE ground electrical systems**. If your vehicle does not have this system, a voltage inverter is required, which can be purchased at JVC car audio dealers.

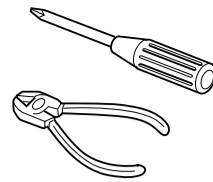
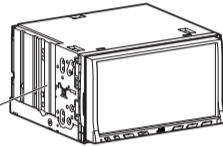
WARNINGS

- DO NOT install any unit and wire any cable in locations where;
 - it may obstruct the steering wheel and gearshift lever operations, as this may result in a traffic accident.
 - it may obstruct the operation of safety devices such as air bags, as this may result in a fatal accident.
 - it may obstruct visibility.
- DO NOT operate any unit while manipulating the steering wheel, as this may result in a traffic accident.
- The driver must not watch the monitor while driving. If the driver watches the monitor while driving, it may lead to carelessness and cause an accident.
- The driver must not put on the headphones while driving. It is dangerous to shut off the outside sounds while driving.
- If you need to operate the unit while driving, be sure to look around carefully or you may be involved in a traffic accident.
- If the parking brake is not engaged, "Parking Brake" flashes on the monitor, and no playback picture will be shown.
 - This warning appears only when the parking brake wire is connected to the parking brake system built in the car.

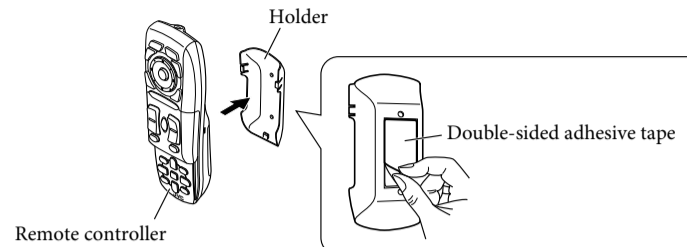
Notes on electrical connections:

- Replace the fuse with one of the specified rating. If the fuse blows frequently, consult your JVC car audio dealer.
- It is recommended to connect to the speakers with maximum power of more than 50 W (both at the rear and at the front, with an impedance of **4 Ω to 8 Ω**). If the maximum power is less than 50 W, change "Amplifier Gain" setting to prevent the speakers from being damaged (see page 60 of the INSTRUCTIONS).
- To prevent short-circuit, cover the terminals of the UNUSED leads with insulating tape.
- The heat sink becomes very hot after use. Be careful not to touch it when removing this unit.

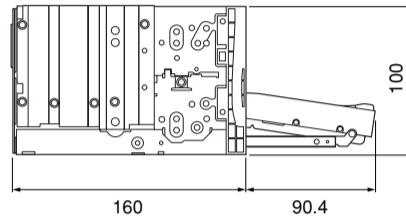
Heat sink



Installing the remote controller

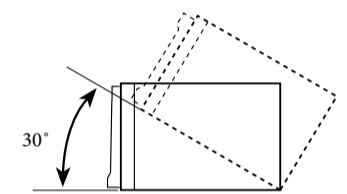


Required space for the monitor ejection



Unit: mm

Install the unit at an angle of less than 30°, taking it into account that the monitor would eject when in use.



INSTALLATION (IN-DASH MOUNTING)

The following illustration shows a typical installation. However, you should make adjustments corresponding to your specific car. If you have any questions or require information regarding installation kits, consult your JVC car audio dealer or a company supplying kits.

- If you are not sure how to install this unit correctly, have it installed by a qualified technician.

Before installing the unit

- When mounting the unit, be sure to use the screws provided, as instructed. If other screws are used, parts could become loose or damaged.
- When tightening screws or bolts, be careful not to pinch any connection cord.
- Make sure not to block the fan on the rear panel to maintain proper ventilation when installed.

1 Remove the audio system originally installed in the car, together with its mounting brackets.

Note: Be sure to keep all the screws and parts removed from your car for future use.

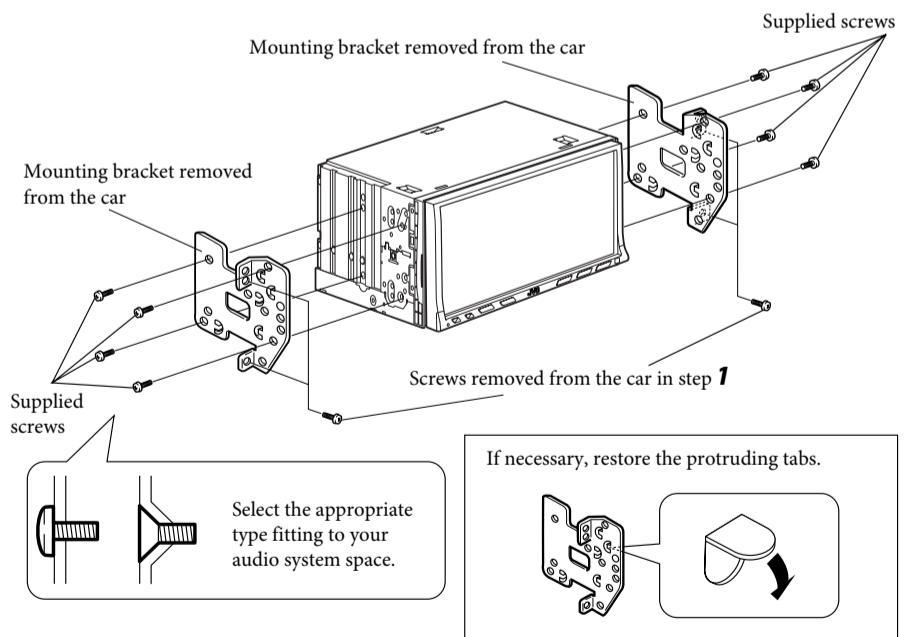
2 Attach the mounting brackets (removed from the car), to this unit (see below).

3 Connect the supplied cords.

- See page 2 for connecting the power cord.
- See page 3 for connecting the TV aerials, AV I/O cord and reverse gear signal extension cord.
- See page 4 for connecting the 5.1CH (LINE OUT) cord.

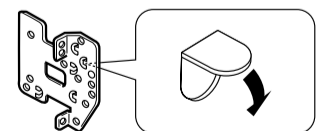
4 Install this unit using the screws removed in step **1**.

The following example is for installation in a Toyota car. For more details, consult your JVC car audio dealer.



Select the appropriate type fitting to your audio system space.

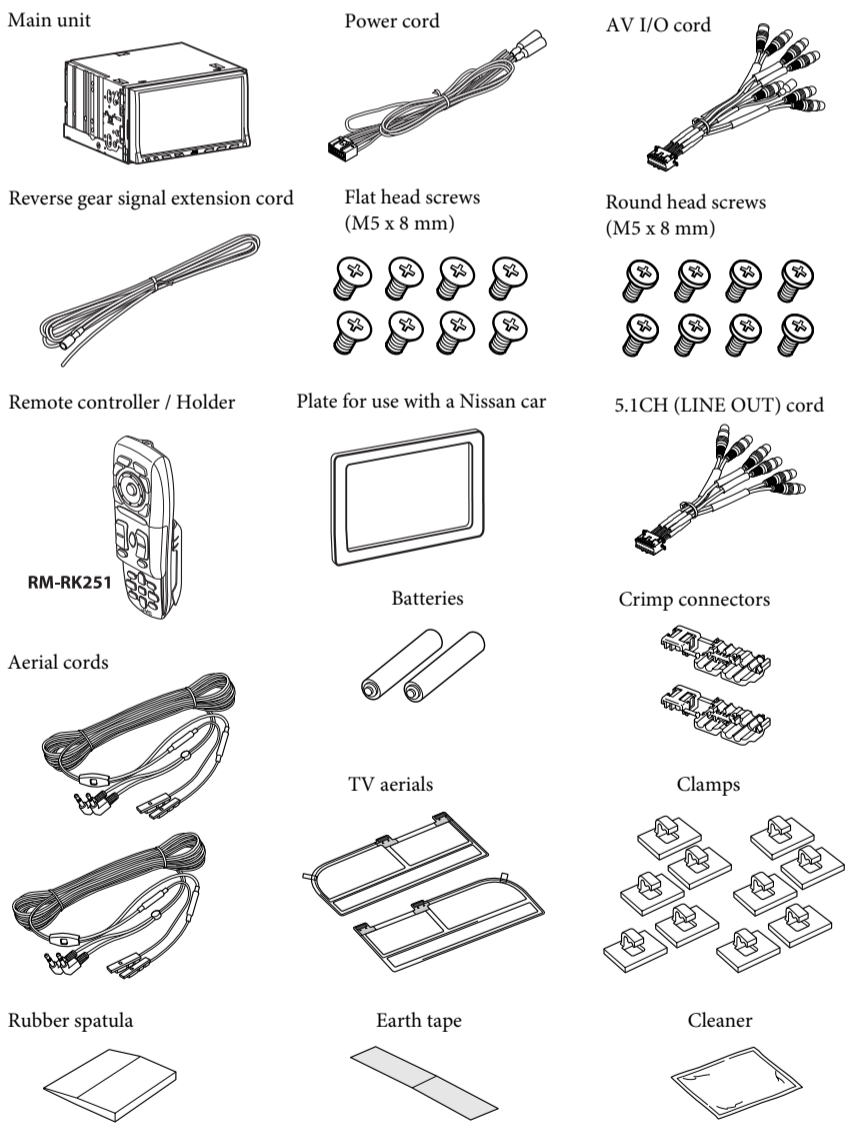
If necessary, restore the protruding tabs.



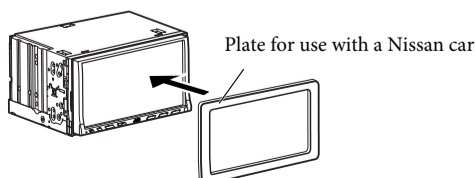
Note: When installing the unit on the mounting bracket, make sure to use the supplied screws (M5 x 8 mm). If longer screws are used, they could damage the unit.

Parts list for installation and connection

The following parts are provided for this unit.
If anything is missing, contact your dealer immediately.

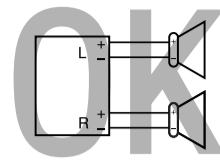
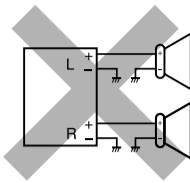
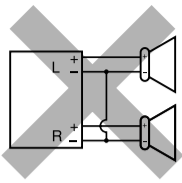


When installing the unit in a Nissan car



PRECAUTIONS on power supply and speaker connections:

- **DO NOT connect the speaker leads of the power cord to the car battery; otherwise, the unit will be seriously damaged.**
- **BEFORE** connecting the speaker leads of the power cord to the speakers, check the speaker wiring in your car.



ELECTRICAL CONNECTIONS

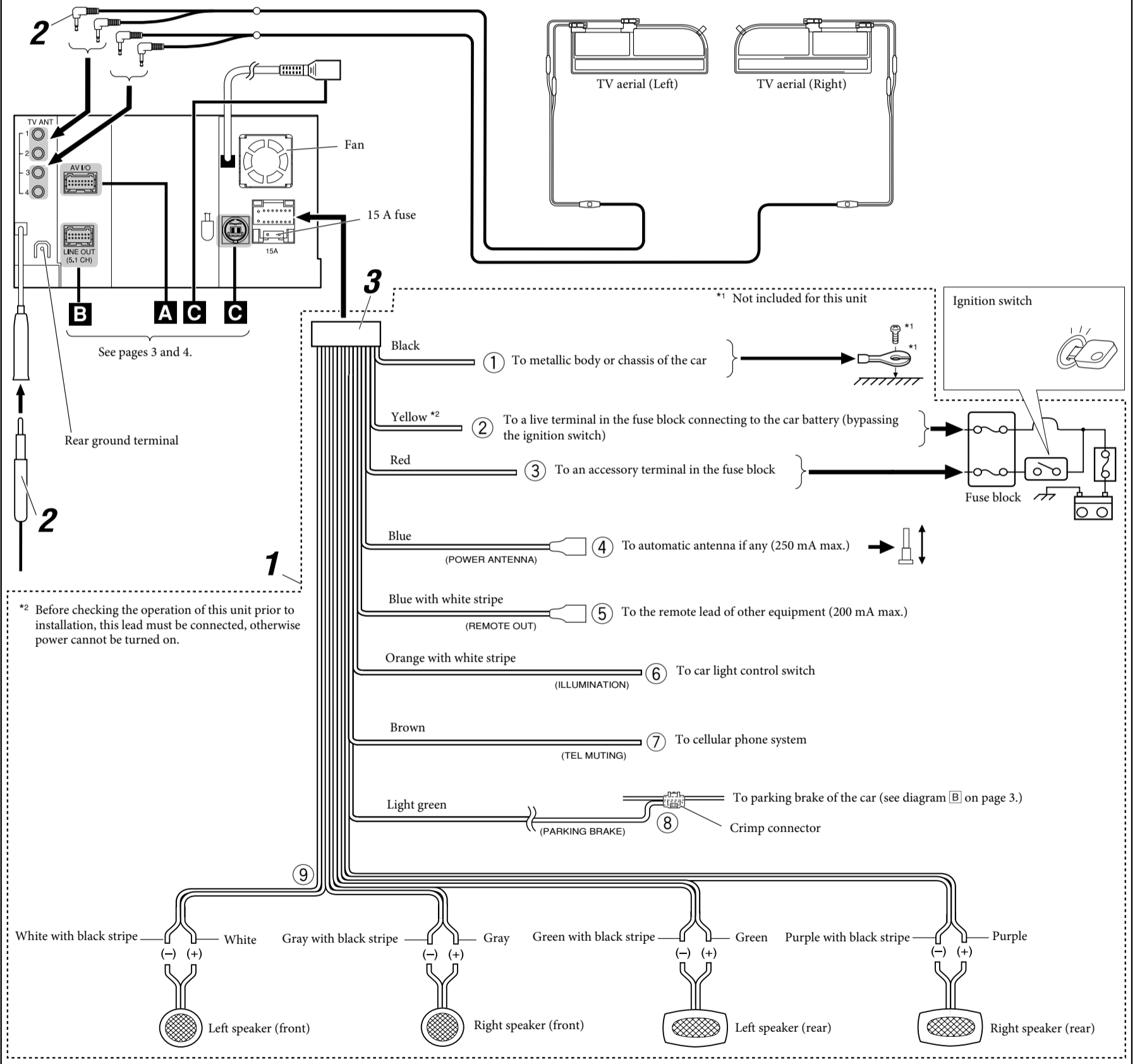
To prevent short circuits, we recommend that you disconnect the battery's negative terminal and make all electrical connections before installing the unit.

- **Be sure to ground this unit to the car's chassis again after installation.**

Before connecting: Check the wiring in the vehicle carefully. Incorrect connection may cause serious damage to this unit.

The leads of the power cord and those of the connector from the car body may be different in color.

- 1 Connect the colored leads of the power cord in the order specified in the illustration below.
- 2 Connect the aerial cord and TV aerials. (For installing and attaching the TV aerials, see diagram A on page 3.)
- 3 Finally connect the wiring harness to the unit.

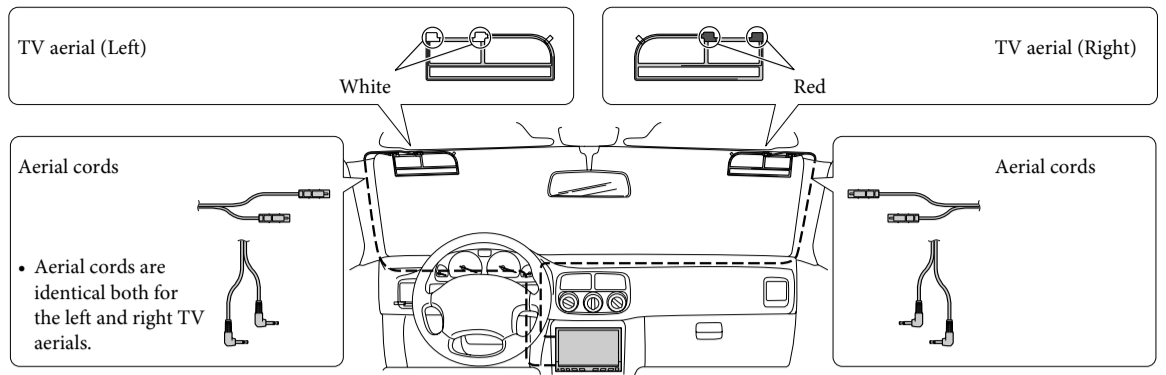


A

Installing the TV aerials

Before installing:

- Attach the aerials only to the inside of the front window glass (so as not to obstruct your visibility through the window).
- Do not rub the aerials or the aerials' cords with alcohol, benzene, thinner, gasoline or other volatile substances.
- Be sure to wipe the window surface where the aerials will be attached with the cleaner (supplied) to remove moisture, dirt, dust, wax, oil or other substances.
- The windows with windshield heating, wave insulated, or thermally insulated screen will interfere with signal reception. Consult your JVC car audio dealer.
- For connecting the TV aerials to the unit, see page 2.



Attaching the TV aerials

Before attaching:

- Identify the exact attachment location and confirm that the aerials will not interfere with other aerial receptions (at least 10 cm away from the other aerials). Once you attach the aerials, you can hardly remove them.

1 Attach the aerials on the front windshield.

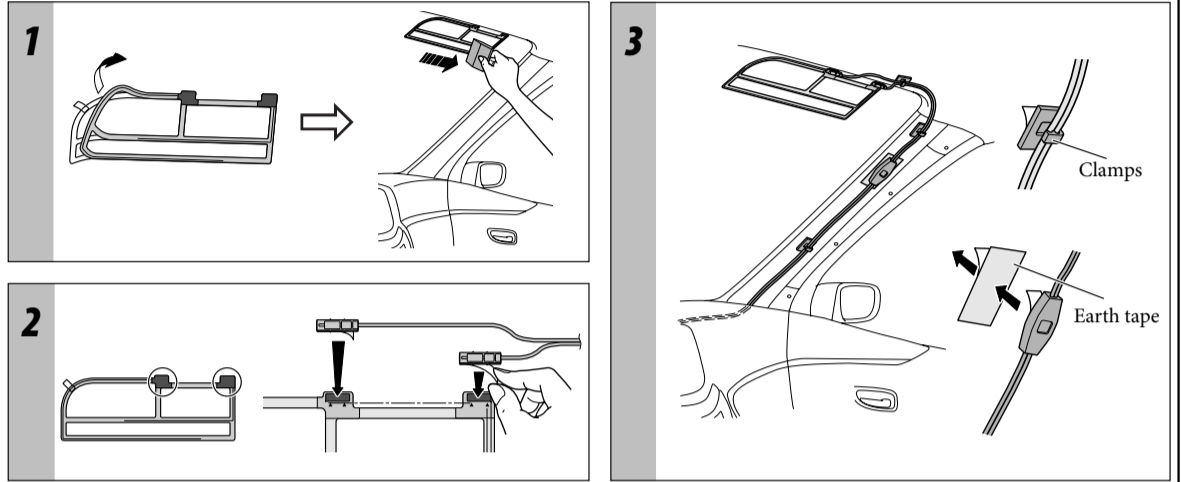
- Rub on the aerials with the rubber spatula (supplied) to firmly fix them on the glass.

2 Attach the aerial cords to the electrodes of the aerials.

3 Wire the cords along the pillars, and secure them using the cord clamps.

- Remove the pillar covers, and wire the cords so that the earth section of the cord can touch the metallic part of the car.

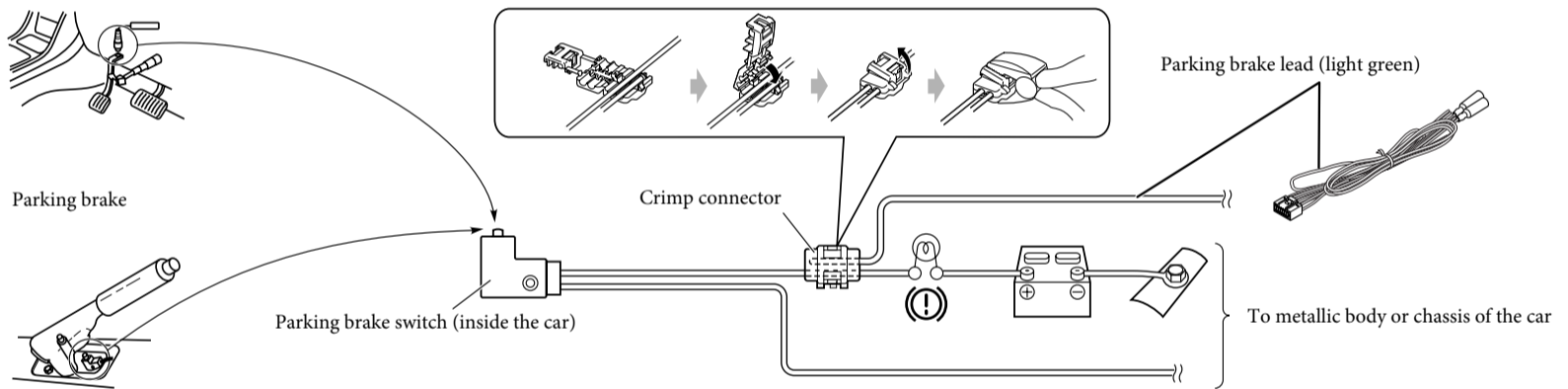
4 After wiring is done, attach the pillar covers.



B

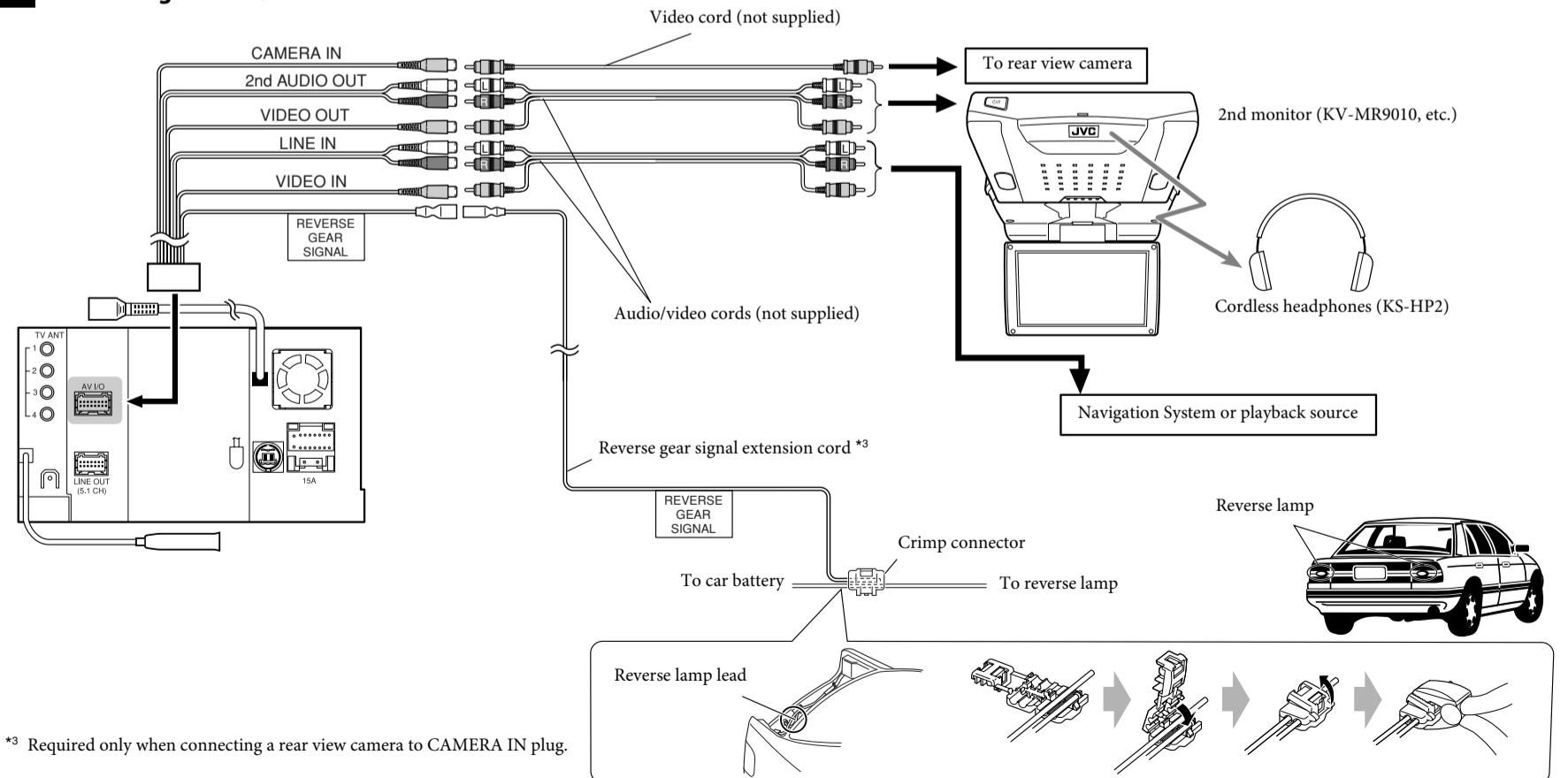
Connecting the parking brake lead

Connect the parking brake lead to the parking brake system built in the car.



A

Connecting the AV I/O cord

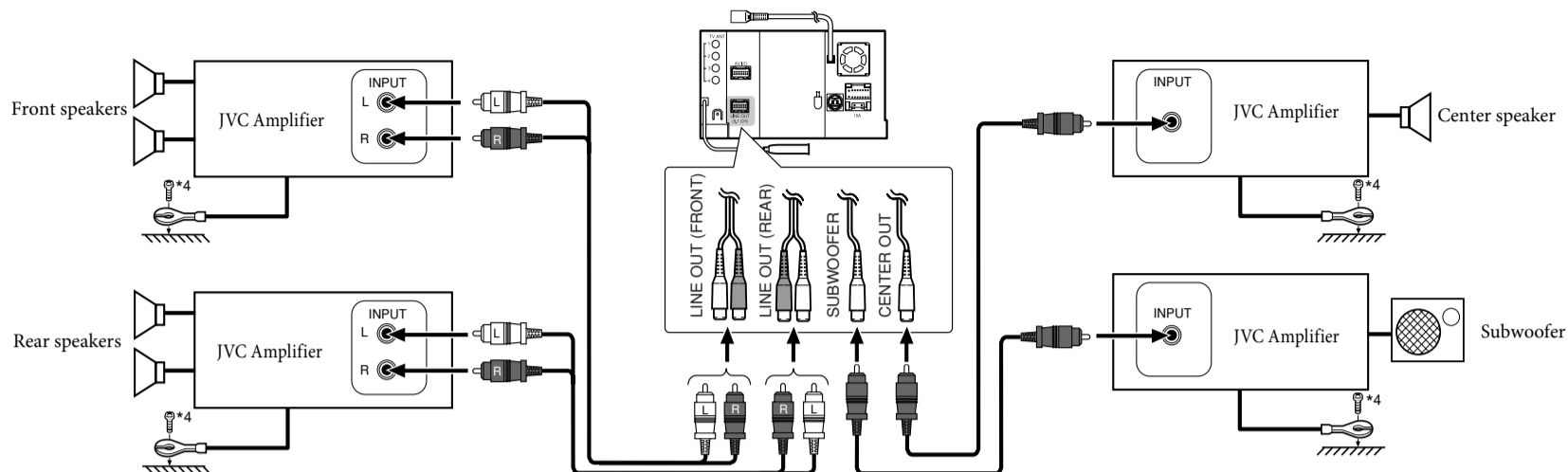


*3 Required only when connecting a rear view camera to CAMERA IN plug.

B Connecting the external amplifiers

You can connect amplifiers to upgrade surround system in the car compartment.

- Connect the amplifiers to 5.1-ch analog discrete output plugs to enjoy multi-channel source.
- **After you have connected the center speaker, make sure to activate the center speaker; otherwise, no sound comes out of the connected center speaker,** see page 57 of the INSTRUCTIONS.
- You can supply the power to the amplifiers by connecting the remote leads (blue with white stripe) of this unit and amplifiers. (To connect more than one amplifier using the remote leads, Y-connectors need to be separately purchased.)
- Disconnect the speakers from the unit, and connect them to the amplifier. Leave the speaker leads of the unit unused.



*4 Firmly attach the ground wire to the metallic body or to the chassis of the car—to the place uncoated with paint (if coated with paint, remove the paint before attaching the wire). Failure to do so may cause damage to the unit.

C Connecting external components

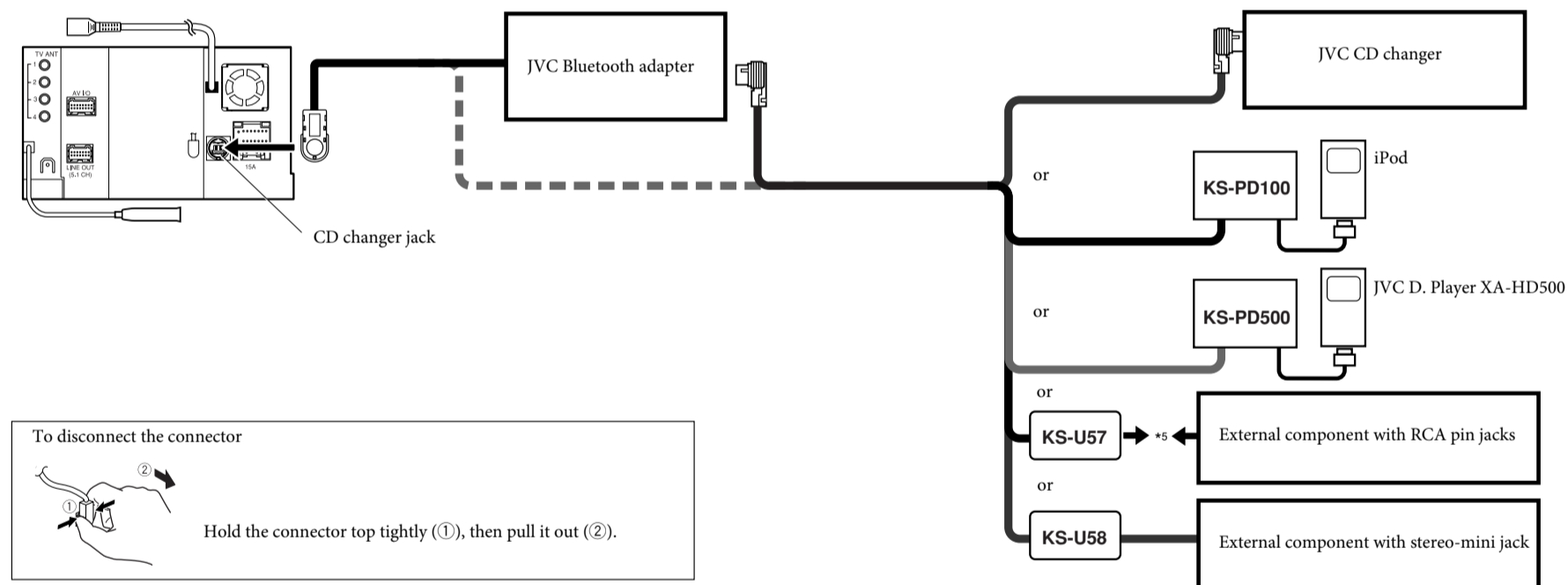
You can connect external components in series as shown in the diagram below.

- All the components, adapters or signal cords need to be purchased separately.

CAUTION:

Before connecting the external components, make sure that the unit is turned off.

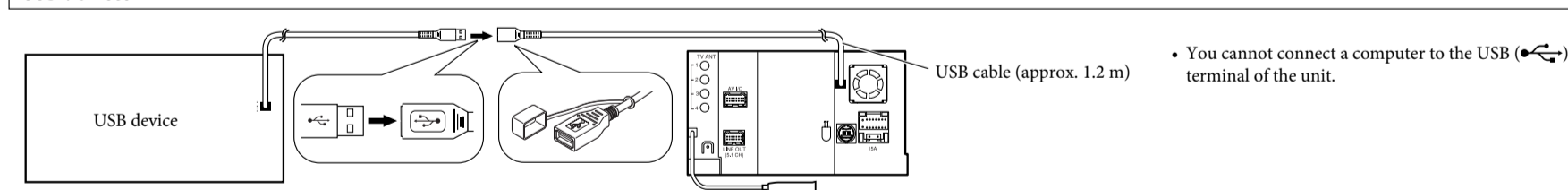
- To use JVC CD changer, Apple iPod or JVC D. player, set “External Input” to “Changer/iPod/D. Player” (see page 59 of the INSTRUCTIONS).
- To use other external components via KS-U57 or KS-U58, set “External Input” to “External” (see page 59 of the INSTRUCTIONS).



- iPod is a trademark of Apple Inc., registered in the U.S. and other countries.

*5 Audio cord (not supplied) is required.

USB devices



TROUBLESHOOTING

- **The fuse blows.**
 - * Are the red and black leads connected correctly?
- **Power cannot be turned on.**
 - * Is the yellow lead connected?
- **No sound from the speakers.**
 - * Is the speaker output lead short-circuited?
- **Sound is distorted.**
 - * Is the speaker output lead grounded?
 - * Are the “-” terminals of L and R speakers grounded in common?
- **Noise interfere with sounds.**
 - * Is the rear ground terminal connected to the car’s chassis using shorter and thicker cords?
- **Unit becomes hot.**
 - * Is the speaker output lead grounded?
 - * Are the “-” terminals of L and R speakers grounded in common?
- **This unit does not work at all.**
 - * Have you reset your unit?