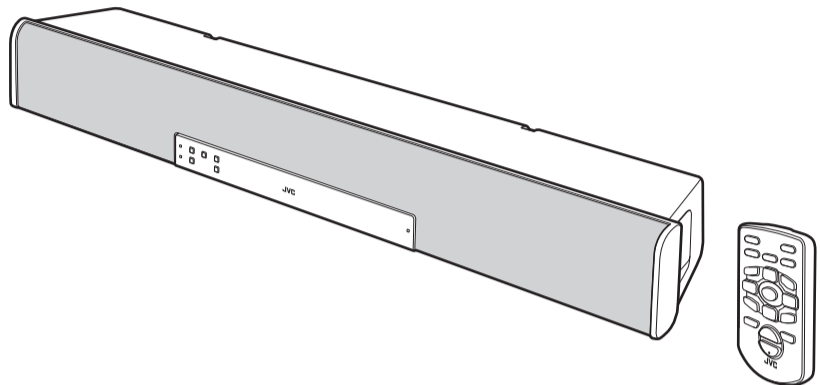


JVC

HOME THEATER SOUND SYSTEM

TH-BC1



SRS
StudioSound **HD**

Thank you for purchasing a JVC product. Before operation, please read the instructions carefully.

INSTRUCTIONS

GVT0326-003A[US]
0411WMKMDWJMM



© 2011 Victor Company of Japan, Limited

Introduction

Auto power save function

When no operation is done in certain situations for 29 minutes, the unit turns off automatically. This function is on at the initial setting. For details, refer to "Operations."

In this manual, the remote control buttons are used for explaining the operations unless mentioned otherwise. However, if the System has the same or similar button names, they can also be used for the operations.

Notes on handling

Important cautions

Installation of the System

- Select a place which is level, dry, and neither too hot nor too cold; between 5°C and 35°C.
- Leave sufficient distance between the System and the TV.
- Do not use the System in a location near heat sources, or in a place subject to direct sunlight, excessive dust, or vibration.
- Install the System in a location with adequate ventilation to prevent internal heat buildup.

Power cord

- Do not handle the power cord with wet hands.
- A small amount of power is always consumed while the power cord is connected to the wall outlet.
- Do not pull on the cord to unplug the power cord. When unplugging the power cord, always grasp and pull the plug so as not to damage the cord.

To prevent malfunctions of the System

- There are no user-serviceable parts inside. If anything goes wrong, unplug the power cord and consult your dealer.
- Do not insert any metallic objects or liquids into the System.

Safety precautions

Avoid moisture, water, and dust

Do not place the System in moist or dusty places.

Avoid high temperatures

Do not expose the System to direct sunlight and do not place it near any heating devices.

When you are away

When away on holiday or for other reasons for an extended period of time, disconnect the power cord from the wall outlet.

Do not block the vents

Blocking the vents may damage the System.

Care of the cabinet

- Stains on the System should be wiped off with a soft cloth. If the System is heavily stained, wipe it with a cloth soaked in water diluted neutral detergent and wrung well, then wipe clean with a dry cloth.
- Since the System may deteriorate in quality, become damaged or get its paint peeled off, be careful about the following:
 - DO NOT wipe it forcefully.
 - DO NOT wipe it with thinners, benzines or other organic solvents including disinfectants.
 - DO NOT apply any volatile substances such as insecticides to it.
 - DO NOT allow any rubber or plastic to remain in contact with it for a long time.

- Do not place anything on top of the System. Doing so may cause the System to fall, causing malfunctioning and/or injury.
- The manufacturer accepts absolutely no liability for any accidents or damage resulting from inadequate assembly or mounting, insufficient strength of attachment, misuse or abuse, or natural disasters.

If water gets inside the System

Turn the System off and disconnect the power cord from the wall outlet, then call the store where you purchased this System. Using the System in this condition may cause a fire or electrical shock.

Supplied accessories

Check to make sure you have all of the supplied accessories. If anything is missing, contact your dealer immediately.

- Remote control RM-STHBC1J (× 1)
- AC adaptor (AA-R1904) (× 1)
- AC power cord (× 1)
- Lithium coin battery CR2025 (× 1)
 - The battery has been installed in the remote control when shipped from the factory.
- Core filter (× 3)
- TV remote pass through cable (× 1)
- Double-sided adhesive tape (× 1)
- FM antenna (× 1)

Warnings, Cautions and Others

CAUTION

The button in any position does not disconnect the mains line. Disconnect the mains plug to shut the power off completely (the STANDBY lamp goes off). The MAINS plug or an appliance coupler is used as the disconnect device, the disconnect device shall remain readily operable.

- When the System is on standby, the STANDBY lamp lights red.
- When the System is turned on, the STANDBY lamp goes off. The power can be remote controlled.

CAUTION

To reduce the risk of electrical shocks, fire, etc.:

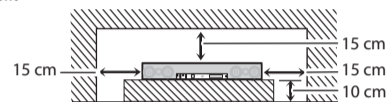
1. Do not remove screws, covers or cabinet.
2. Do not expose this appliance to rain or moisture.

CAUTION: Proper Ventilation

To avoid risk of electric shock and fire, and to prevent damage, locate the apparatus as follows:

1. Front: No obstructions and open spacing.
2. Sides/Top/Back: No obstructions should be placed in the areas indicated by the dimensions in the illustration.
3. Bottom: Place on the level surface. Maintain an adequate air path for ventilation by placing on a stand with a height of 10 cm or more.

Front



CAUTION

- Do not block the ventilation openings or holes. (If the ventilation openings or holes are blocked by a newspaper or cloth, etc., the heat may not be able to get out.)
- Do not place any naked flame sources, such as lighted candles, on the apparatus.
- When discarding batteries, environmental problems must be considered and local rules or laws governing the disposal of these batteries must be followed strictly.
- Do not expose this apparatus to rain, moisture, dripping or splashing and that no objects filled with liquids, such as vases, shall be placed on the apparatus.

CAUTION

Battery shall not be exposed to excessive heat such as sunshine, fire or the like.



[European Union only]

Troubleshooting

If you have a problem with this System, check this list for a possible solution before calling for service.

POWER

Power does not come on.

→ The power cord is not inserted securely. Plug it in securely.

The unit turns off suddenly.

→ Auto power save function is on. Refer to "Activating/deactivating APS (Auto Power Save)" in "Basic operation."

REMOTE CONTROL

The remote control does not work.

- Pull out the insulation sheet.
- Sunlight is shining directly on the remote sensor. Hide the remote sensor from direct sunlight.
- The path between the remote control and the remote sensor on the front panel is blocked.
- Point the remote control at the remote sensor on the front panel.
- Signals cannot reach the remote sensor. Move closer to the unit.
- The battery is exhausted. Replace the battery.

The remote control of the TV does not work.

→ If you install the unit near the TV, connect the TV remote pass through cable.

FM tuner

Hard to listen to broadcasts because of noise.

→ Electrostatic discharge from your body may cause noise. If this happens, turn off and on the unit again.

External components

No sound can be heard when DIGITAL 1 or DIGITAL 2 is selected as a source.

→ Check the output setting of the connected digital components. Set the output setting as the PCM signal is outputted.

Sound is turned off temporarily.

→ Press MUTING or VOLUME +/- to adjust the volume.

Specifications

| | |
|--------------------------------------|--|
| Output power | 60 W (30 W + 30 W) at 4 Ω (10% THD) |
| Audio section | |
| Analog Input | ANALOG: 1 V _{rms} /50 kΩ |
| Digital Input* | DIGITAL 1 (OPTICAL): –21 dBm to –15 dBm (660 nm ±30 nm) DIGITAL 2 (COAXIAL): 0.5 V _{p-p} /75 Ω |
| Speaker section | |
| Type: | Bass-Reflex Type |
| Speaker: | Woofer: 8 cm cone × 4 Tweeter: 2.5 cm balance dome × 2 |
| Power Handling Capacity: | 30 W |
| Impedance: | 4 Ω |
| Frequency Range: | 82 Hz to 25 kHz |
| Sound Pressure Level: | 88 dB/W·m |
| General | |
| Power Source (DC IN): | DC19 V $\overline{=}$ 3.37 A |
| AC adaptor (AA-R1904): | Input: AC 100 – 240 V \sim , 50/60 Hz, 1.5 A – 0.9 A Output: DC19 V $\overline{=}$ 3.37 A |
| Power Consumption (in Standby mode): | 0.50 W or less |
| Dimensions (W × H × D): | 900 mm × 98 mm × 107 mm |
| Mass: | 3.3 kg |
| Tuner | |
| FM tuning range: | 87.50 MHz – 108.00 MHz |

* Corresponding to Linear PCM only (with sampling frequency – 32 kHz, 44.1 kHz, 48 kHz)

Design and specifications are subject to change without notice.



- StudioSound **HD** is a trademark of SRS Labs, Inc.
- StudioSound HD technology is incorporated under license from SRS Labs, Inc.
- SURROUND: StudioSound HD by SRS Labs. SRS StudioSound HD™ provides an immersive and engaging surround sound experience, while maintaining steady volume and delivering rich bass and clear dialog.
- DRC: TruVolume by SRS Labs. TruVolume™ (designated as DRC) maintains a steady volume for an enjoyable viewing experience.

Getting started

DO NOT connect the power cord until all other connections have been made.

Preparing the remote control

When you use the remote control for the first time, pull out the insulation sheet. If the range or effectiveness of the remote control decreases, replace the battery.

To replace the battery in the remote control

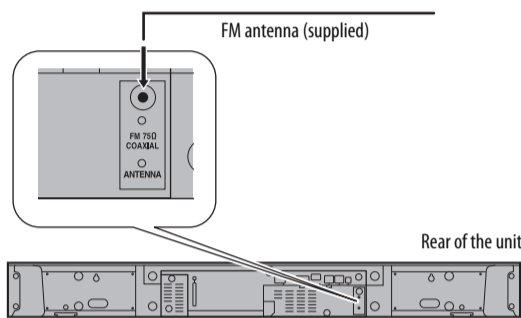
Insert the battery into the remote control by matching the polarities (+ and -) correctly.

NOTES

- Store the battery in a place where children cannot reach. If a child accidentally swallows the battery, consult a doctor immediately.
- To prevent the battery from overheating, cracking, or starting a fire:
 - Do not recharge, short, disassemble or heat the battery, or dispose of it in a fire.
 - Do not leave the battery with other metallic materials.
 - Wrap the battery with tape and insulate when throwing away or saving it.
 - Do not poke the battery with tweezers or similar tools.
- Dispose of the battery in the proper manner, according to federal, state, and local regulations.

CAUTION:
Danger of explosion if battery is incorrectly replaced.
Replace only with the same or equivalent type.

Connecting the FM antenna



Extend the FM antenna when connecting so that you can obtain the best reception.

NOTES

- Make sure the antenna conductors do not touch any other terminals, connecting cords or the power cord. Also, keep the antennas away from metallic parts of the main unit, connecting cords, and the AC power cord. Otherwise, it could cause poor reception.
- If you want to get a better reception, disconnect the supplied FM antenna, and connect to an outdoor FM antenna (not supplied) using a 75 Ω wire with coaxial type connector (IEC or DIN45325).

Installing the unit

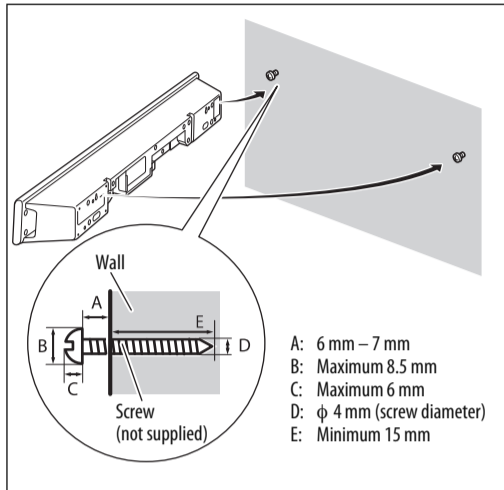
- Install the unit on a flat and level surface to ensure the best sound quality.
- The sound may be affected depending on the location in which you install it. To avoid such issues, change the location and orientation of the unit.
- For cathode-ray tube television (CRT):
 - If you install the unit near the TV, color distortion may occur. To prevent this, turn off the TV's main power or unplug it before installing the unit. Wait at least 30 minutes before turning on the TV's main power again.
 - If the TV is still affected, move the unit further away.

CAUTION

- Do not drag or push the unit on the floor or table. Otherwise, the foot spacers at the bottom may peel off or drop from the unit.

Installing on the wall

You can install the unit on the wall.



CAUTION

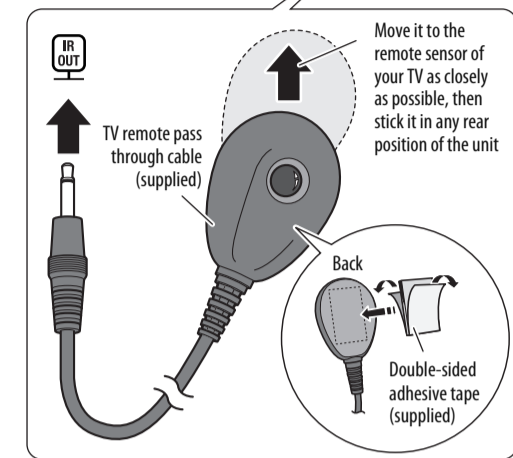
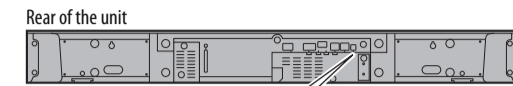
- The unit weighs approximately 3.3 kg. Sufficient care must be taken when installing it on the wall to prevent any accidents caused by its falling off.
- Use screws, which are compatible with the strength and material of the pillar or wall to prevent the unit from falling off.
- Do not install the unit onto a plywood or plasterboard wall; otherwise, it will fall and sustain damage.
- When installing the unit on the wall;
 - Be sure to have it installed on the wall by qualified personnel.
 - Care must be taken when selecting a location for installation on the wall. Injury to personnel or damage to equipment may result if the installed unit interferes with daily activities.
 - AC adaptor should not be hanging/placed above any other items. Place the AC adaptor on the flat floor only.

Connecting the TV remote pass through cable

If you install the unit near the TV, the unit may block the remote control signal of the TV, and it may not be transmitted to the TV unit. Connect the TV remote pass through cable (supplied) to the unit for smooth signal transmission. As illustrated below, connect the TV remote pass through cable to the IR OUT terminal. Move the cable to the remote sensor of your TV as closely as possible.

CAUTION

- Even if you connect the TV remote pass through cable to the unit, some TVs may not receive the remote control signal of the TV, because some TVs use different carrier frequency for the remote control.

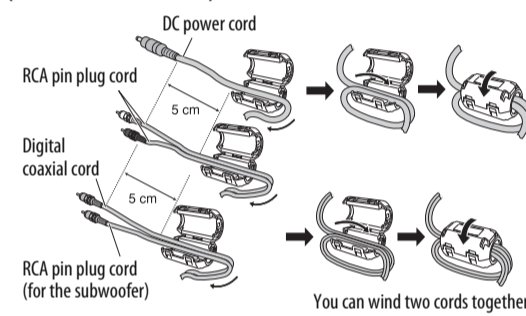


Using the core filter

To reduce interference, be sure to attach the provided core filters to the power cord and the external component cord.

Run the cable through the core filter, and wind it firmly once inside. Close the core filter until it clicks shut.

(To the terminal of the unit)



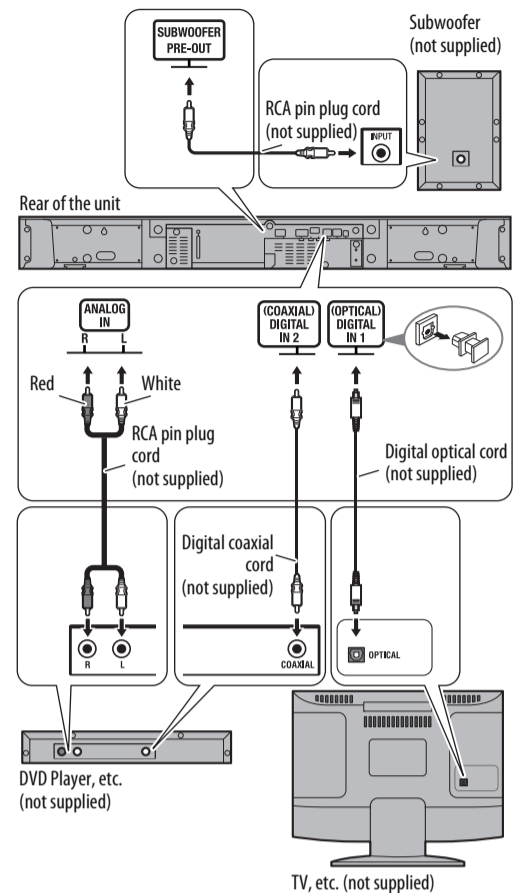
CAUTION

- Do not damage the cord by applying expressive force when winding.

Connecting external components

You can connect an analog component to the ANALOG IN terminal and digital components to the (OPTICAL) DIGITAL IN 1 and (COAXIAL) DIGITAL IN 2 terminals.

You can also connect a subwoofer to the SUBWOOFER PRE-OUT terminal.



Connecting the power cord

Connect the supplied AC adaptor to the DC IN jack on the unit. Then connect the supplied AC power cord to the AC adaptor, and plug it in a wall outlet.

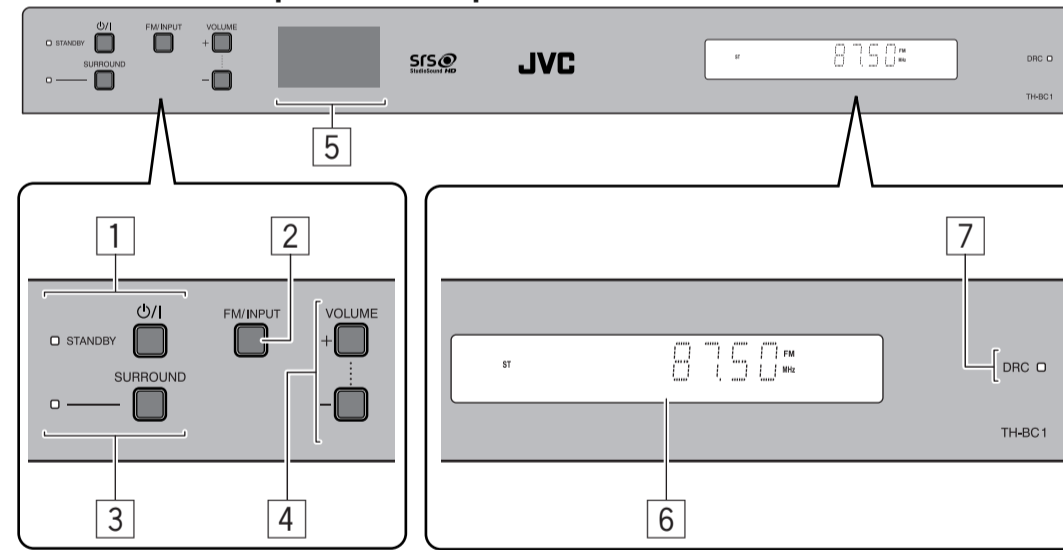
CAUTION

- Disconnect the power cord before cleaning or moving the unit.
- To avoid the risk of fire and to prevent damage,
 - Do not use any AC adaptors other than the one supplied.
 - Do not use the supplied AC adaptor for other equipment.

Operations



Buttons and lamps on the front panel



- ⏻/I (power) button and STANDBY indicator lamp
 - STANDBY indicator lamp lights up while the power is turned off.
- FM/INPUT button
 - Press the button repeatedly to select the input source (DIGITAL 1, DIGITAL 2, ANALOG and FM).
- SURROUND button and SURROUND indicator lamps
 - The indicator lamp lights up if a surround mode is on.
- VOLUME +/- buttons
 - Adjusts the volume within the range of 0 (VOL MIN) to 40 (VOL MAX).
- Remote sensor
 - Receives the signal from the remote control.
- Display
 - Shows the volume level, the FM station's frequency that the unit is receiving, the current source and the settings.
- DRC indicator lamp
 - DRC indicator lamp lights up if DRC is on.

Basic operation

Turning on/off the power

Press ⏻/I.

NOTE

- A small amount of power is consumed even when the power is turned off (standby mode). During standby mode, the STANDBY indicator lamp on the front panel lights up. Unplug the power cord from the AC outlet to turn the power off completely.
- You can also turn on the power by pressing one of the input buttons (DIGITAL 1, DIGITAL 2 or ANALOG) or FM.

Activating/deactivating APS (Auto Power Save)

The System automatically turns off to save the power.

Press and hold APS.

Each time you press and hold the button, the indicator changes as follows: APS ON (on) ↔ APS OFF (off)

- The System automatically turns off to save the power when one of the following situations continues for 29 minutes:

For all sources:

- The volume is set to 0
- Muting is activated

For DIGITAL 1/DIGITAL 2:

- When the optical cord or coaxial cord is not connected, or there is no signal. When one of the situations above occurs... The APS indicator is shown for 2 seconds every 1 minute and starts flashing 30 seconds before the System turns off.

Selecting the input source

Press one of the input buttons: DIGITAL 1 (for the optical connection), DIGITAL 2 (for the coaxial connection), ANALOG or FM. DIGITAL 1, DIGITAL 2, ANALOG or FM appears on the display.

Adjusting the volume

Press VOLUME +/-.

CAUTION

- Set the volume to the minimum level before starting any source. If the volume is set to a high level, the sudden blast of sound may damage your hearing and blow out the speakers.

Turning off the sound temporarily

Press MUTING.

- To restore the sound, press the button again or adjust the volume.

Changing the display brightness

Press DIMMER.

Each time you press the button, the display brightness changes as follows: DIM OFF (normal) → DIM 1 (darker) → DIM 2 (darkest)

Making sound clearer

You can enjoy sounds recorded at low level—Dynamic Range Compression (DRC).

Press DRC.

Each time you press the button, the indicator and effect change as follows: DRC OFF (off) ↔ DRC ON (on)

Adjusting the sound level

You can adjust the bass and treble sound level within the range of -3 to +3.

1 Press BASS/TREBLE repeatedly to select the sound you want to adjust.

- BASS: Adjusts the bass sound level.
- TREBLE: Adjusts the treble sound level.

2 Press UP or DOWN to adjust the level.

NOTE

- The change in the bass and treble sound level of the speakers differ depending on the incoming signal of the input source.

Using the surround mode

You can listen to a more realistic sound than stereo sound using surround.

Press SURROUND.

Each time you press the button, the indicator and effect change as follows: SURR OFF (off) ↔ SURR ON (on)

Listening to FM radio

Selecting the station

1 Press FM.

2 Press UP or DOWN to select the station.

- Press and hold ◀▶ for 2 seconds, then release it to change the frequency automatically until a station of sufficient signal strength is tuned in.

Presetting stations

You can preset up to 30 stations.

Auto preset

Press and hold A.PRESET for 2 seconds

Stations are presetted automatically.

Manual preset

- If you want to preset stations manually, press MEMORY while tuning in to a station you want to preset. Then press UP/DOWN to select a preset number. Store the station by pressing MEMORY.

Improving the FM reception

When an FM stereo (FM) broadcast is hard to receive or noisy, select the monaural reception (MONO) mode.

Press FM MODE.

- To restore stereo reception, press FM MODE again.

* Stereo reception is only available, if there is enough signal strength.