



An allusion is a “hint,” a “reference.” The Allusion® Salon™ Spa bath is a true glimpse of the good life. With clean, contemporary, minimalist lines, the Allusion® family of products makes a striking statement — one that speaks to more than a hint of style.

FEATURES:

- Multi-speed motor
- 4 fully adjustable TheraPro™ jets
- 6 fully adjustable AccuPro™ jets
- 800 watt variable speed heated air blower
- Bottom air channels for maximum massage
- 256 color Chromatherapy lighting system
- Optional Illumatherapy
- Drain-assist purge system
- Water-level sensor
- RapidHeat™ inline heater
- ProO₃™ Ozone Sanitation System standard

**Allusion® 7242
SALON™ SPA with
CHROMATHERAPY**

MODEL NUMBER:
BK10

EXTERIOR DIMENSIONS:
72" long x 42" wide x
26" high

OF JETS/TYPE OF JETS:
4 TheraPro™ Jets
6 AccuPro™ Jets

OPERATING GALLONS:
87 gallons

**Allusion® 7242
SALON™ SPA with
ILLUMATHERAPY™**

MODEL NUMBER:
BT60

EXTERIOR DIMENSIONS:
72" long x 42" wide x
26" high

OF JETS/TYPE OF JETS:
4 TheraPro™ Jets
6 AccuPro™ Jets

OPERATING GALLONS:
87 gallons





Allusion® 7242 SALON™ SPA BATH

BK10	Allusion® 7242 Salon™ Spa Right Hand with Chromatherapy lighting
BT60	Allusion® 7242 Salon™ Spa Right Hand with Illumatherapy™ jet lighting

- Center Drain Location
- Accessories / Hardware:
HTC Jet Trim Kit: #D095

INSTALLATION NOTES

Refer to installation instructions included with fixture before beginning installation. Please confirm product availability and specifications before commencing with any installation work.

PRODUCT SPECIFICATIONS AND AVAILABILITY ARE SUBJECT TO CHANGE WITHOUT NOTICE.

Technical Specifications

DIMENSIONS

72" L x 42" W x 26" H
(1829 mm) L x (1067 mm) W x (660 mm) H

DRAIN/OVERFLOW

A: 17-3/8" (441 mm) B: 11-15/16" (210 mm)

CUTOUT

Template Provided Part Number: BY20000

TOTAL WEIGHT

1246 lb (565 kg) / 59 lb/sq. ft. (290 kg/m²)

OPERATING GALLONAGE

87 U.S. Gal. (329 Liters)
Min. 75 U.S. Gal. (284 Liters)
Max. 99 U.S. Gal. (375 Liters)

PRODUCT WEIGHT

240 lb (109 kg)

SKIRT MOUNTING

Not Available

ELECTRICAL SPECIFICATIONS

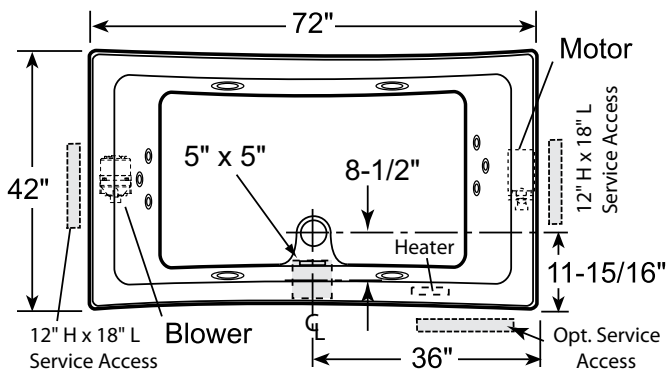
All require a dedicated GFCI protected separate circuit(s).

Blower: 120VAC, 20AMP, 60 Hz.

Motor/Pump and RapidHeat™: 240VAC, 20AMP, 60 Hz.

HEATER (STANDARD)

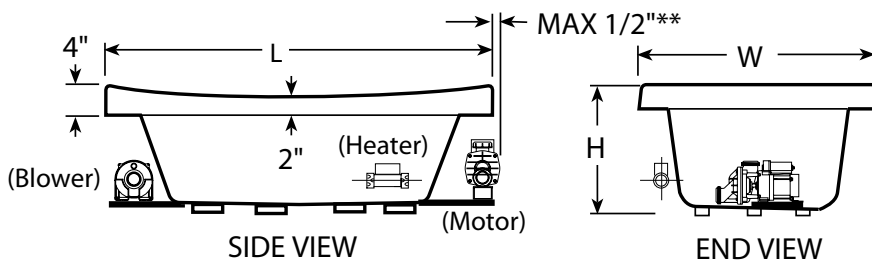
RapidHeat™: P/N BN60000



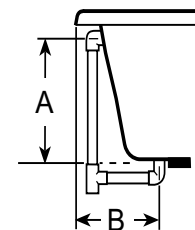
Product Shown: Allusion® 7242 Salon™ Spa Right Hand (BK10) Shown.

* Measurements inside unit represent cutout in floor to allow for drain/overflow.

Minimum Service Access dimensions given.



ALLUSION SIDE END



DRAIN/OVERFLOW

** See Install manual for installations instructions.