



SEDONA™

Steam & Shower Base

INSTALLATION/OPERATING INSTRUCTIONS



IMPORTANT SAFETY INFORMATION

READ ALL INSTALLATION INSTRUCTIONS

Jacuzzi Whirlpool Bath does not recommend prolonged periods of use of the steamer. Prolonged use of the steam system can raise excessively the internal human body temperature and impair the body's ability to regulate its internal temperature (hyperthermia). Consult your physician about your safety and comfort before using the steam system. Limit your use of steam to 10–15 minutes until you are certain of your body's reaction. A cooling shower spray can be used simultaneously with the steam to assist in regulating your body temperature.

Alcohol and certain drugs or medications, such as tranquilizers, affect a person's ability to withstand high temperatures and may produce dangerous side effects. Don't use alcohol or drugs when using steam.

The elderly, the infirm, and children should not use the steamer unattended. Pregnant women and people with heart conditions should consult their physicians before using the steamer.

The wet surfaces of steam enclosures can be slippery. Use care when entering and exiting.

Do not place or use electrically connected devices, such as television, radio, or stereo speakers, lights, hair dryers, or telephones, within 1.5 m (5 feet) of a steam enclosure, shower, or bath.

Read and follow manufacturer's safety information with all optional equipment.

The steam head is hot. Do not touch the steam head or the steam within one foot distance of the head or surfaces surrounding the steam head.

Do not block or obstruct the steam head in any manner.

Do not store or use flammable liquids near the steam generator.

Note: This is a professional grade product. A good knowledge of construction techniques, plumbing and electrical installation according to codes are required for proper installation and user satisfaction. We recommend that a licensed contractor perform the installation of all Jacuzzi Whirlpool Bath products. Our warranty does not cover improper installation related problems.

Optional Accessories

- Steam Enclosure (U194865 Chrome Finish with Clear Glass, U194866 Brass Finish with Clear Glass, U195865 Chrome Finish with Frosted Glass, U195866 Brass Finish with Frosted Glass)
- Dome (U192000)
- Digital Controller with Timer and Temperature Sensor (S063829 Bright Brass). Chrome Standard with Unit.
- Automatic Drain Down Valve (S066000)
- Steam Nozzle (E203829 Brass). Chrome standard and installed on unit.
- Wall Mount Shower Set (C994959 White, C994829 Bright Brass, C994827 Chrome)
- Optica™ 100 Single Handle Mixer (C997959 White, C997829 Bright Brass, C997827 Chrome)
- Large Tear Drop Handle for Optica 100 (C998959 White, C998829 Bright Brass, C998827 Chrome)
- Bright Brass Strainer (A175829)

CONTENTS

Specifications _____	2
Roughing-in Reference _____	2
Framing and Support _____	3
Steam Enclosure _____	4
SteamPro™ Drain Down Configurations _____	4
Digital Control & Temperature Sensor Rough-in _____	5
Drain Information _____	6
Plumbing and Water Supply _____	6
Electrical Connections _____	6
Digital Controller Mounting _____	7
Temperature Sensor Mounting _____	8
Flange Mounting _____	8
Finish Materials _____	8-9
Service Access _____	9
Operation _____	10
Maintenance _____	10
Troubleshooting _____	11-12
SteamPro™ Wiring Diagram _____	13
SteamPro™ Warranty _____	15-16
Base Warranty _____	17-18

Save These Instructions for Future Use.

Owner's Record

Date Purchased _____

Purchased From _____

Installed By _____

Serial Number (Base) _____

Serial Number (Steam Generator) _____

Model _____

Important: Read complete instructions before beginning installation.

Each shower base is shipped with a drain and stainless steel strainer

Remove the shower base from the carton. **Do not destroy the shipping carton until after satisfactory inspection of the product.**

Immediately upon receipt, inspect the base before installing. Should inspection reveal any damage or defect in the finish, do not install the base. Damage or defect to the finish claimed after the base is installed is excluded from the warranty. Jacuzzi Whirlpool Bath's responsibility for shipping damage ceases upon delivery of the products in good order to the carrier. Refer any claims for damage to the carrier. For definitions of warranty coverage and limitations, refer to the published warranty information packaged with the product. Jacuzzi Whirlpool Bath is not responsible for any defect that could have been discovered, repaired, or avoided by following this inspection and testing procedure.

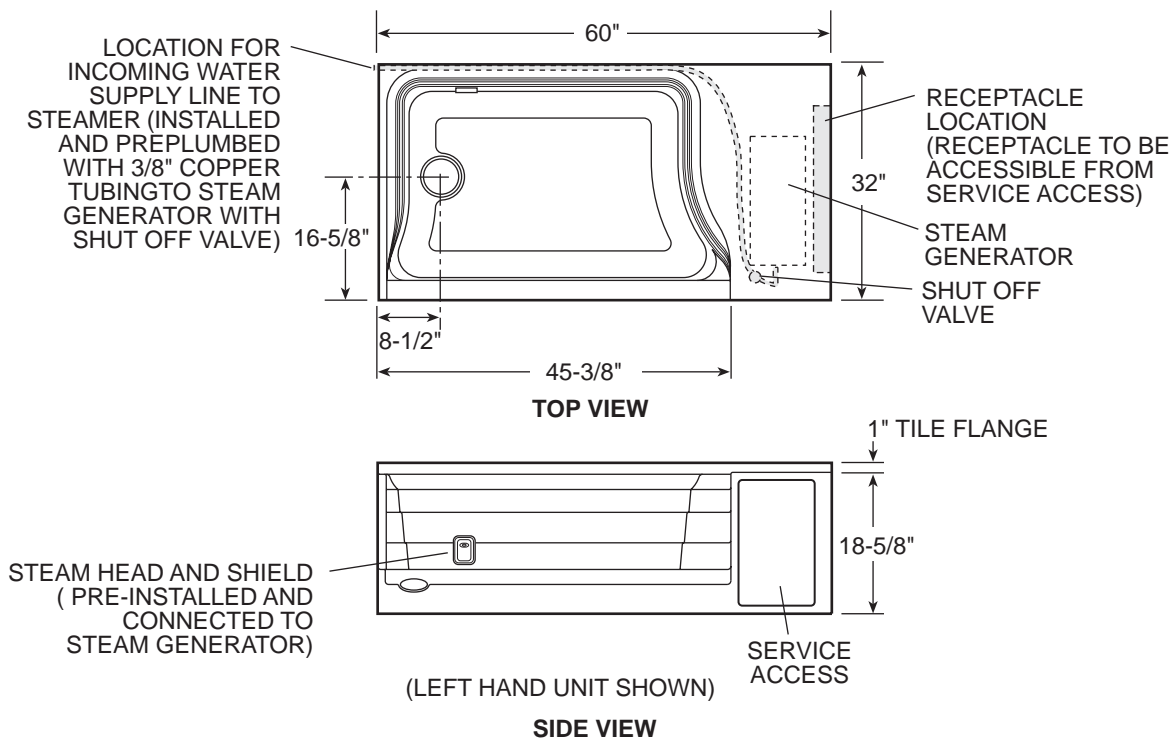
Plan the installation in relation to the finished wall surfaces. Take into account the dimensions of both the shower base and the shower door enclosure to be used with it.

NOTE: Damage or defects which could have been discovered and repaired prior to installation and which are claimed after final installation of the product are excluded from our warranty.

SPECIFICATIONS

DIMENSIONS	TOTAL WEIGHT/ FLOOR LOADING	PRODUCT WEIGHT	ELECTRICAL
60" (1524 mm) L 32" (813 mm) W 18-5/8" (473 mm) H	310 lbs (141 kg) /23 lb/sq. ft. (112 kg/sq. m)	110 lb (50 kg)	*230 VAC, 60 Hz. 40 AMP, 3 Wire Requires a Dedicated Separate Circuit.

*SteamPro supplied with NEMA 6-50P plug. NEMA 6-50R receptacle required.
Product specifications are subject to change without notice.



Framing and Support

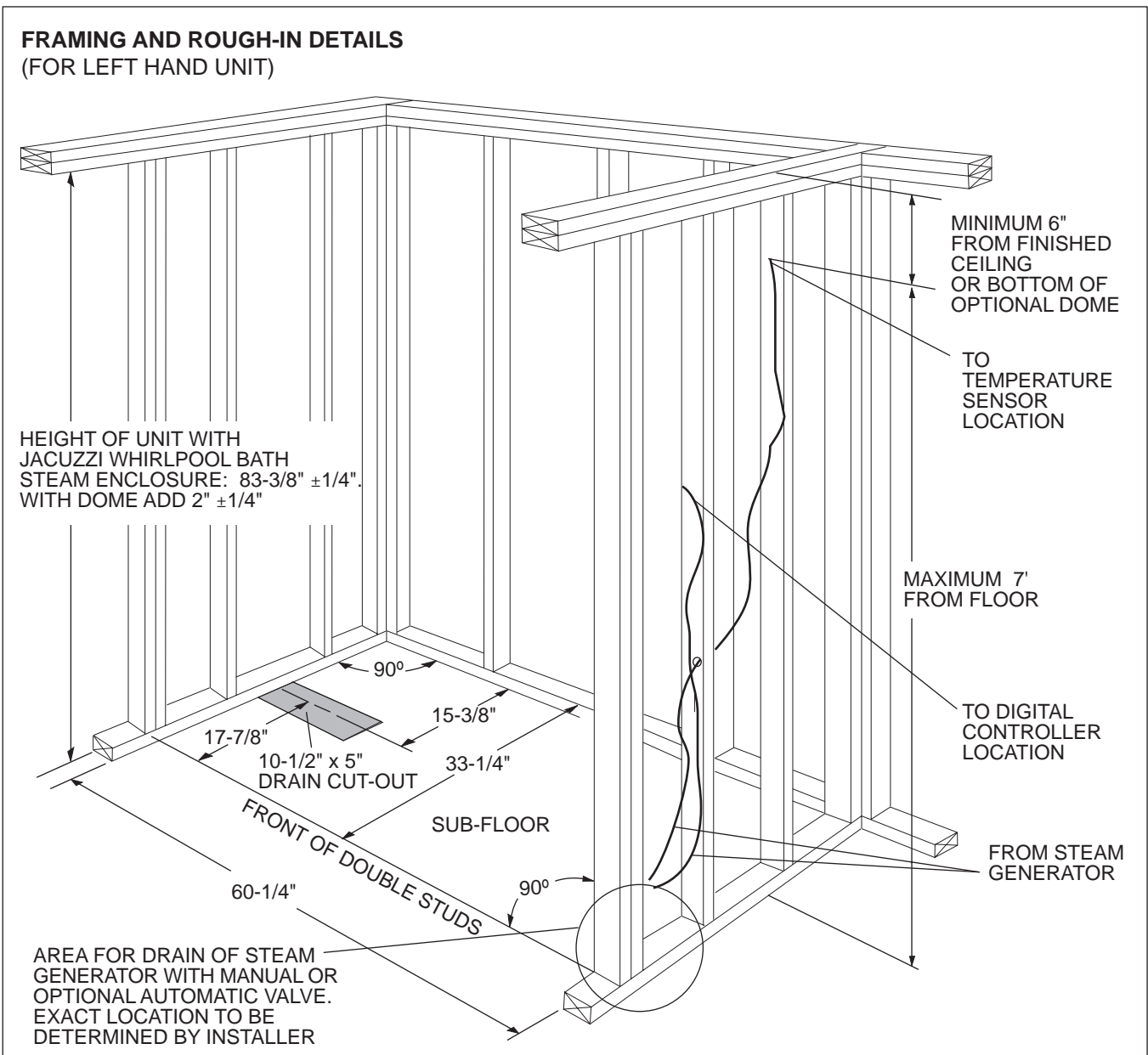
The drain extends below the bottom of the base. Note that this requires a cutout in the floor.

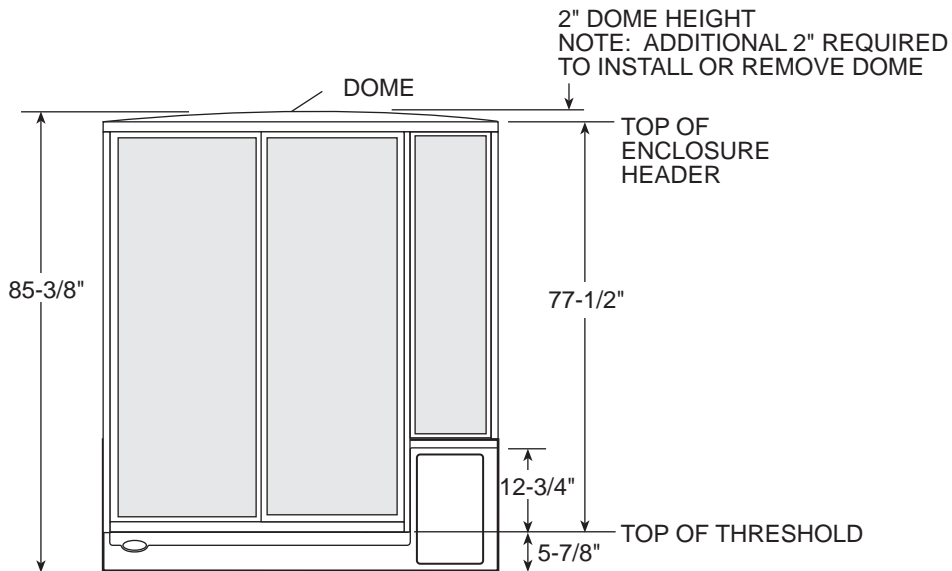
The floor structure beneath the base must be able to support a total weight of base, and bather. The unit must be supported from the bottom of the base and **not** from the tile flange. If the subfloor is level, no other preparation is necessary. You can proceed to install the base. If the subfloor is not level, you **MUST** level the entire surface prior to installing the base. The use of materials that shim or provide a level installation are allowed provided the method used will ensure a level base that is supported from the bottom. Materials that may be used are a floor leveling compound, mortar, plaster or minimal expansion structural foam having a minimum density of 5 lbs/cubic ft.; however the base must remain level in order for it to drain properly and the foam feet must make full contact with the leveling material. Both sides of a joint or splice of subfloor should be level to each other. **When attaching the base flanges to stud wall, use shims to fill any gaps between the tile flange and studs.**

The shower base should be installed after construction of the studwall and after rough plumbing is in place using the self drilling screws provided with your unit.

It is important that the framed pocket be plumb and square and that the framing members be located as detailed in the framing illustration.

The protective film liner inside the base is used to prevent damage to the finish from shoes, tools, etc. during installation. Before installation, remove liner to inspect for any defects, reapply and do not remove until final cleanup.





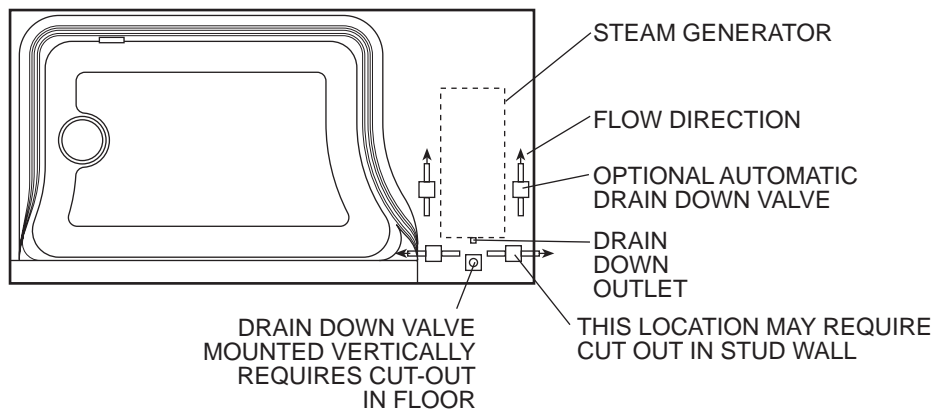
UNIT WITH JACUZZI WHIRLPOOL BATH OPTIONAL STEAM ENCLOSURE

Drain Down Locations

There are several locations (left hand unit shown) where the optional automatic valve may be located when connecting to a drain line as shown in illustration. Right hand unit is mirror image. Exact location to be determined by installer.

The manual drain valve can be moved from its current position when connecting to a drain line.

To allow steam generator removal for maintenance or service, use a straight union.



Control and Temperature Sensor Cable Rough-in

A rough-in wiring kit is provided with unit to allow installer to locate and run wires to the temperature sensor and digital controller before finish walls are installed.

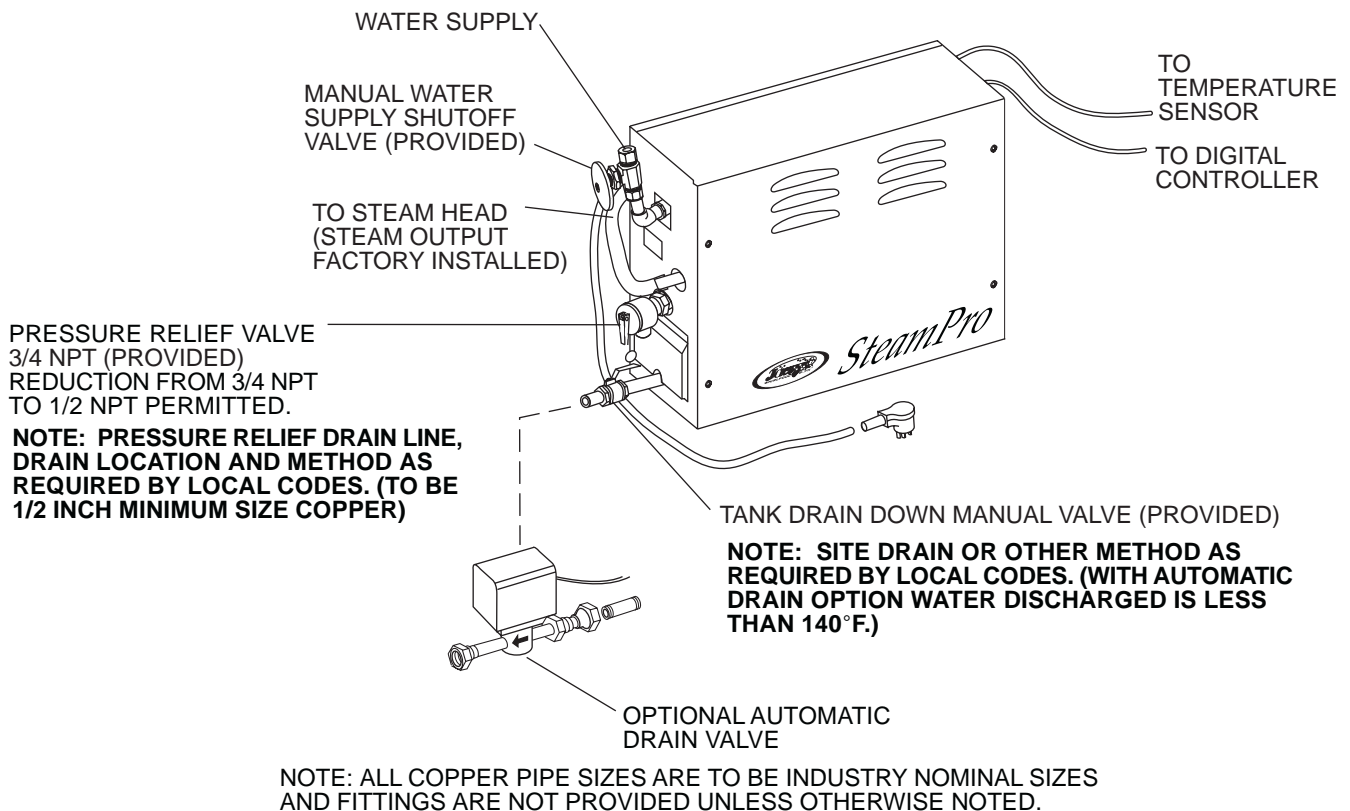
Control Cable Rough-in

The low voltage control can be mounted **up to 25 feet** from the generator either inside or outside the steam room. String the 25' cable from the generator through 1/2" holes in the wall studs or ceiling joists to the controller location. Note: Do not staple through or damage cable. An option for tile rooms is to use the 1 gang rough-in box (provided) and install at the desired control mounting location. A mounting plate with proper 2" diameter hole is included with the control kit. Tile up to the 2" hole in the mounting plate.

Temperature Sensor Rough-in

It is recommended that the sensor be mounted in the steam room 6" from the ceiling or below bottom of dome, but not directly over the steam dispersion head or more than 7 feet above the floor. String the sensor cable from the sensor location through 1/2" holes in the wall studs or ceiling joists to the generator location. Leave 12" of slack at the sensor location. Note: Do not staple through or damage cable.

Leave a couple of feet of sensor and control cable free behind the steam generator to allow for removal through access panel for maintenance or servicing if necessary.



Minerals in the water or poor water quality can shorten the life of the steam generator or cause erratic operation if the tank is not drained regularly. Drain the tank frequently. Jacuzzi Whirlpool Bath also strongly recommends purchasing and installing the optional automatic drain down valve. The tank will be drained automatically after each use after the water temperature lowers. Water filters and other conditioners are strongly recommended if the water is of poor quality.

The Automatic Tank Drain Valve must be installed where the steam generator may be exposed to freezing temperatures, e.g., in seasonal-use homes. (Water supply lines and water solenoid valve must not be allowed to freeze.) This option prevents standing water from remaining in the tank. The tank will be automatically drained through this valve when the water has cooled.

Read all warranty provisions before selecting a manual drain valve or the automatic drain down option.

Base Drain

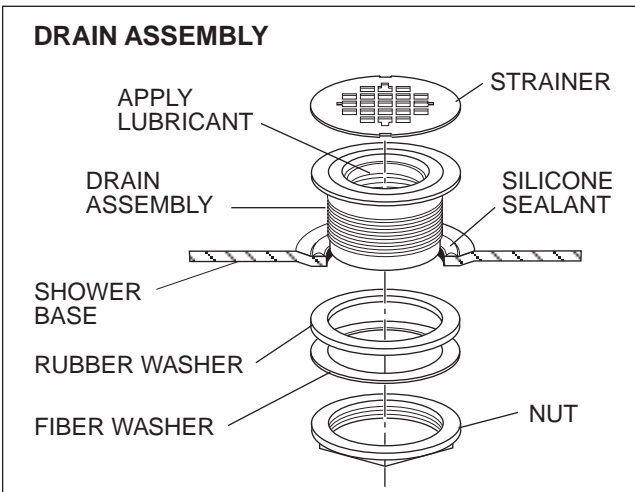
Remove the stainless steel strainer from the drain assembly. Disassemble the locknut and two gaskets from the back of the drain assembly. Apply a 1/4" bead of caulking (silicone) to the drain hole and insert the drain assembly. Replace the rubber washer, fiber washer, and lock nut in that order. Hand tighten the locknut. Remove excess sealant from finished side.

Apply a lubricant (common household liquid soap works well) to the inside of the rubber seal of the drain assembly.

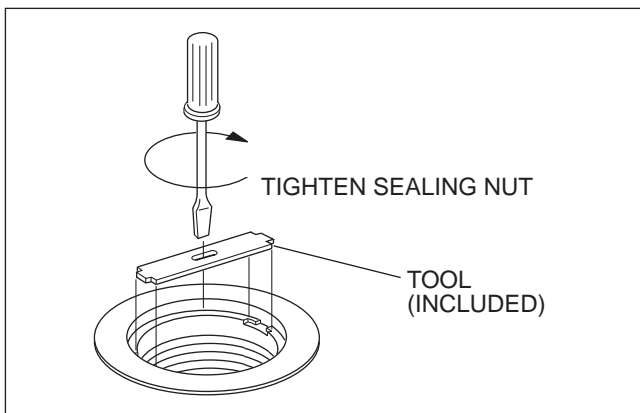
NOTE: Watertight installation of the drain is the installer's responsibility. Drain leakage is excluded from the Jacuzzi Whirlpool Bath warranty of this product.

Slide the shower base into the framed opening and attach the shower base flange to the stud wall and blocking with screws provided.

NOTE: If there is any gap between base flange and stud or blocking, shims MUST be used to prevent distortion or cracking of the flange.



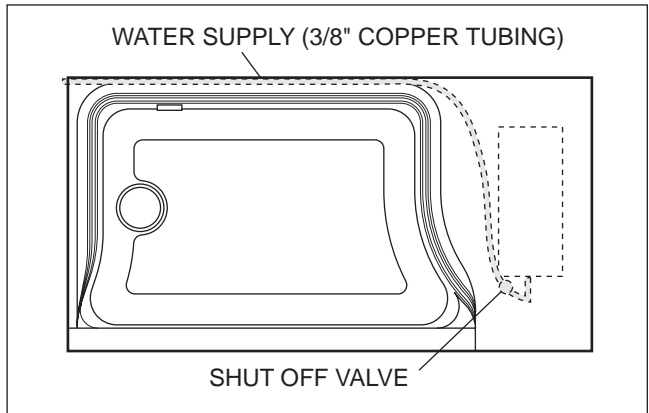
With a large screwdriver and the tool included with the drain, tighten the inside compression nut to seal the drain pipe connection. After drain is fully installed, test for proper drainage. If the shower base does not drain properly, rectify this condition before proceeding with the installation. **Jacuzzi Whirlpool Bath is not responsible for removal and/or reinstallation costs.**



Water Supply

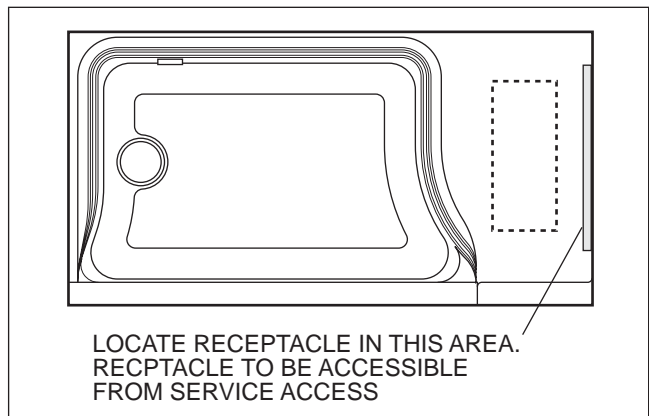
Consult local authorities for plumbing code requirements in your area. Connect house cold water supply to steam generator supply tubing.

IMPORTANT: Jacuzzi Whirlpool Bath does not warrant connections of water supply fittings and piping or drain systems. Nor is it responsible for damage to the shower base which occurs during any installation procedure.



Electrical Connections

A separate circuit is required. Install a NEMA 6-50R receptacle to the studwall at least 4 inches above the floor. The receptacle is not provided.

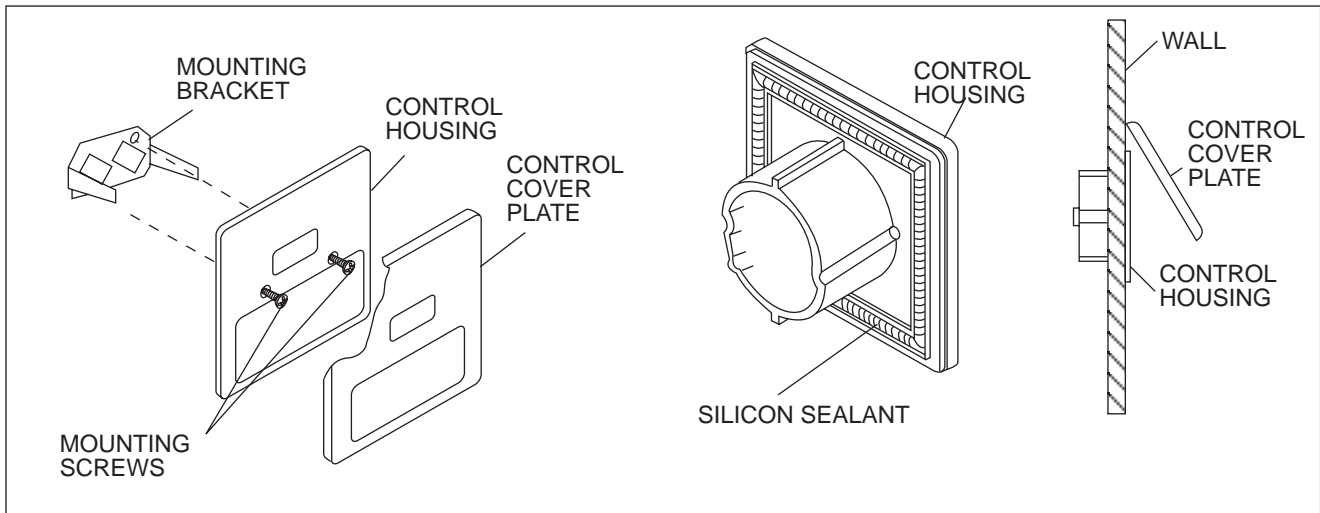


Controller Mounting

Finished Wall Mounting

The low voltage control can be mounted directly to a finished wall either inside or outside the steam room. Using a 2" hole saw, drill a hole in the finished wall where the control is to be mounted (the control cable should already be roughed-in to this location). Locate the control cable, pull it out through the 2" hole and plug it into the connector on the back of the control housing. With the decorative cover removed, screw the two 3" control housing mounting screws 1/4" into the mounting bracket. See diagram. Run a bead of 100% silicon caulk in between the 2 ridges around the perimeter on the back of the control housing. See diagram. Insert the mounting bracket into the wall cavity by first pushing with the control housing and then with a hard flat surface on the control housing mounting screws which extend out through the control face. Once the mounting bracket has been inserted into the finished wall, center the control and tighten the mounting screws to draw the control housing securely against the finished wall. Do not over tighten the mounting screws. Install the decorative cover plate by sliding the top of the cover plate over the tab on the top of the control housing and pushing on the bottom of the cover plate to complete the snap fit.

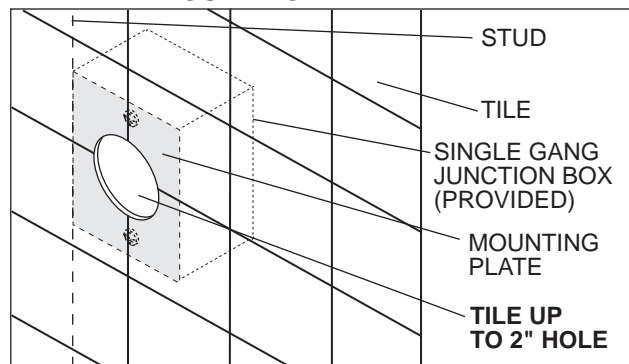
CONTROLLER MOUNTING IN FINISHED WALL



Tile Wall Mounting

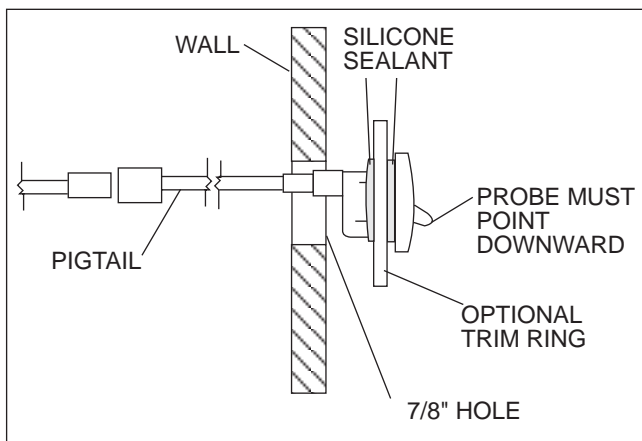
String the 25' cable from the control location through 1/2" holes in wall studs to the generator. Do not staple through or damage the cable. Use supplied cable only. A one gang junction box (provided) must be installed at the desired location. A mounting plate with a 2" hole is included. Tile up to the 2" hole in the mounting plate. To mount the control apply silicon sealant between the 2 ridges around the perimeter on the back of the control housing and press control against tile. Clean up any excess sealant. Connect the cable from the back of the steam generator to the digital controller.

TILE WALL MOUNTING



Temperature Sensor Mounting

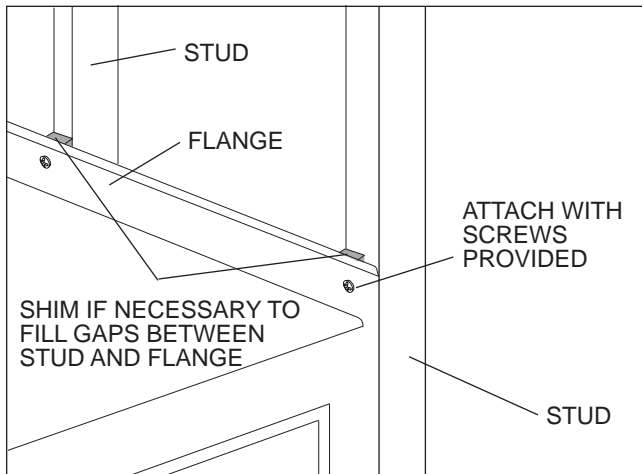
The temperature sensor should be mounted 6" below the ceiling or dome, inside the steam room, but not directly over the steam dispersion head or more than 7 feet above the floor. Using a 7/8" hole saw, drill a hole in the finished wall where the sensor is to be mounted (the sensor cable should already be roughed-in to this location). Locate the sensor cable, pull it out through the hole and plug it into the temperature sensor. It is best to tape the sensor and cable connection together to avoid disconnection inside the wall. Apply silicon caulk as shown in diagram and insert the sensor in the hole. An optional trim ring is included with the sensor. If the 7/8" hole is jagged or is cut too large the trim ring may be used to cover the exposed edges. Make sure that the sensor probe is pointing down once installed. Tape the sensor in place while the silicone hardens.



Flange Mounting

After base is in position secure flange to studs with screws provided. If there is a gap between flange and stud shims **MUST** be used.

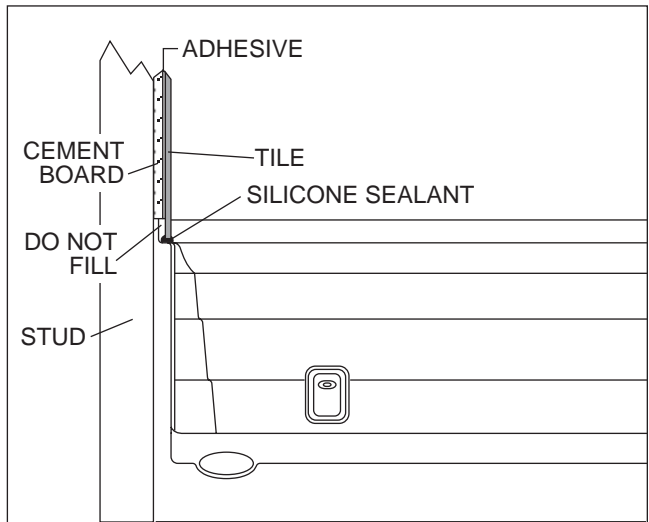
TYPICAL FLANGE MOUNTING DETAIL



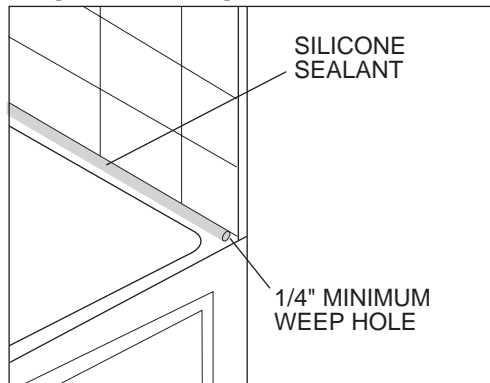
Finish Materials

Apply tile (or other finishing material) leaving a 1/8" gap between the finishing material and the base flange lip. Seal this gap with silicone sealant. Leave a minimum 1/4" weep hole at the back and front corners of the base. The weep holes are necessary to allow drainage from leakage through unsealed tiled grout.

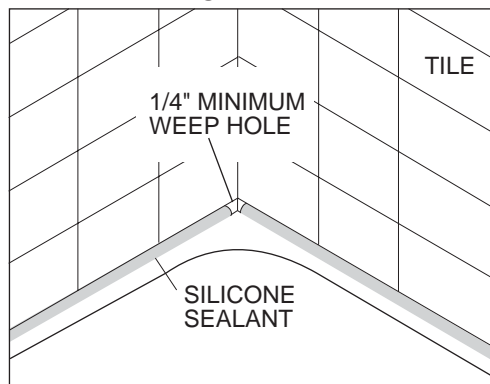
Filling the area marked **DO NOT FILL** will prevent moisture from draining back into the base through the weep holes. This moisture is due to leakage through the tile grout. Sealing the tile grout will prevent this leakage.



FRONT WEEP HOLE

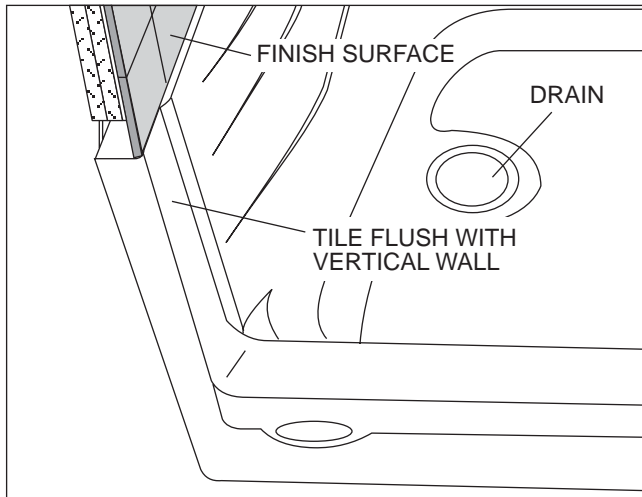


REAR WEEP HOLE

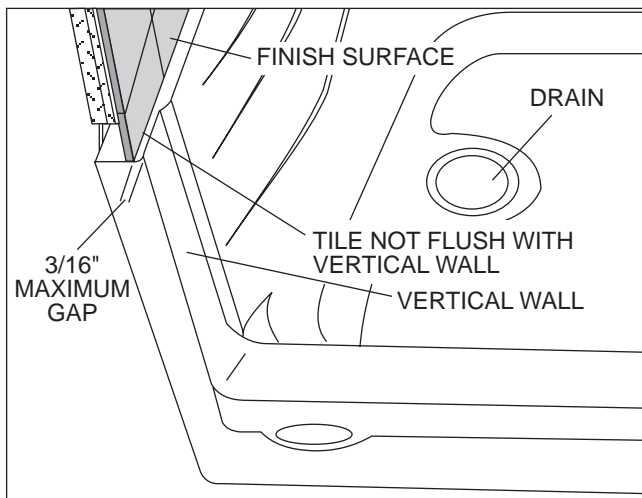


Note: The combined thickness of the tile (or other finish material), adhesive and cement board must not exceed the edge of the vertical wall on the drain side.

This condition will not allow the wall jamb of the steam enclosure to sit flat against the vertical wall.

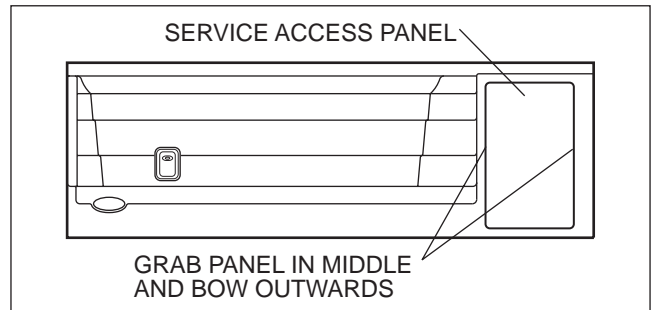


If there is a gap between the finish surface and the vertical wall, a filler piece (included with steam enclosure) may be required. Gap must not exceed 3/16". Silicone sealant will also be necessary to eliminate any additional gaps that may be present.

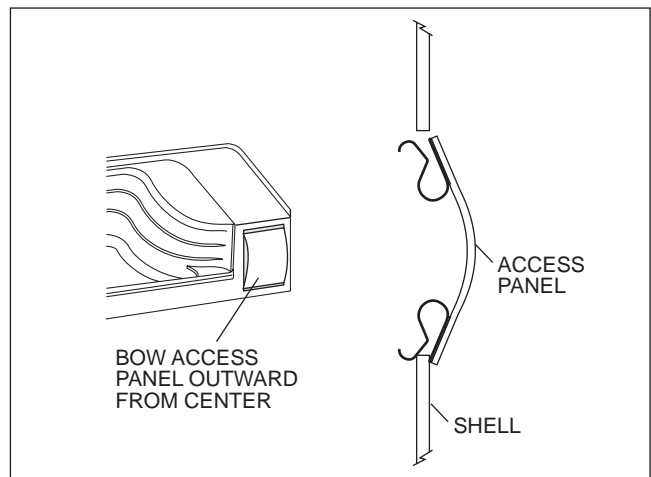


Service Access

Service access is through the removable panel. To remove panel, grab the middle of the panel and bow outwards till clips disengage.



To reinstall the panel hold at an angle to the skirt and insert clip under edge of skirt opening. Bow the panel outward and insert clip on other side.



Clean-Up After Installation

To avoid dulling and scratching the surface of the shower base, never use abrasive cleaners. A mild liquid detergent and warm water will clean soiled surfaces.

Remove spilled plaster with a wood or plastic edge. Metal tools will scratch the surface. Spots left by plaster or grout can be removed if lightly rubbed with detergent on a damp cloth or sponge.

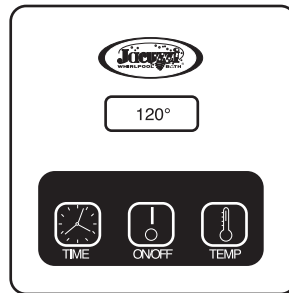
Paint, tar, or other difficult stains can be removed with paint thinner, turpentine, or isopropyl alcohol (rubbing alcohol).

Minor scratches which do not penetrate the color finish can be removed by lightly sanding with 600-grit wet/dry sandpaper. You can restore the glossy finish to the acrylic surface of the shower base with a special compound, Meguiar's #10 Mirror Glaze. If that is not available, use automotive rubbing compound followed by an application of automotive paste wax.

Major scratches and gouges which penetrate the acrylic surface will require refinishing. Ask your Jacuzzi Whirlpool Bath dealer for special instructions.

Operation

The digital control features an adjustable 60 minute time and temperature control with digital display. The actual room temperature and time remaining are alternately displayed every 5 seconds. The temperature can be adjusted in a range between 100 degrees and 125 degrees Fahrenheit with an initial default of 120 degrees. Once the set temperature is reached the "soft steam" feature automatically engages cutting steam production back to a single element. If the steam room temperature drops more than 5 degrees both elements will automatically engage.



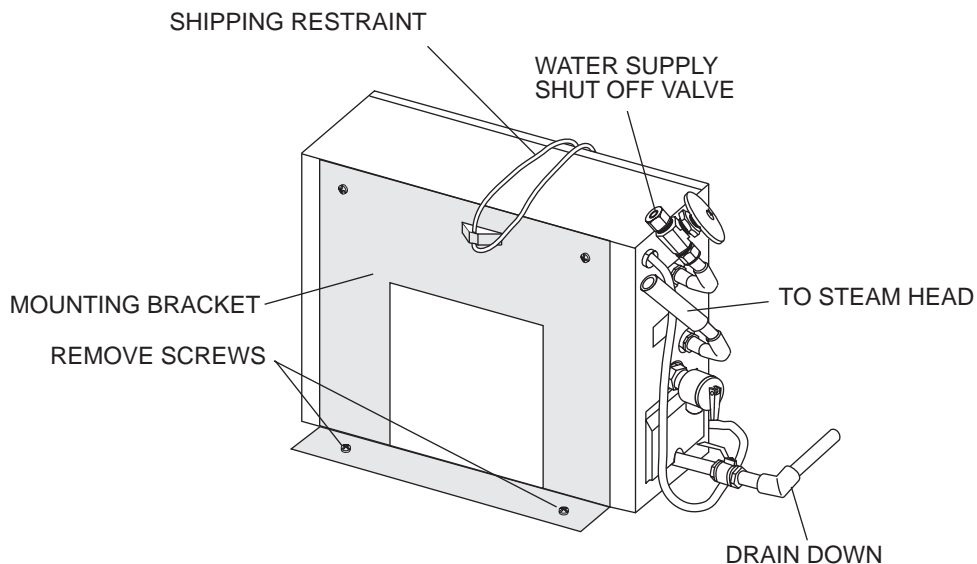
Operation of Your Digital Time and Temperature Control

1. Be sure the power circuit and water supply to the generator are on.
2. Press the ON/OFF button on the control until the temperature is displayed.
3. The generator should produce steam in 5 to 10 minutes and will turn off automatically in 60 minutes or less depending on the set time. The control will alternately display time remaining and the actual temperature at the sensor in your steam room every 5 seconds.
4. To change the time setting press and hold the TIME button on the control. Continuing to hold the button will cause the time to increase in 5 minute increments from the prior setting. At 60 minutes the time setting will scroll backwards to 5 minutes. To shut down the generator press the ON/OFF button.
5. To change the preset temperature setting press and hold the TEMP button on the control. While continuing to hold the button, the temperature display will increase in 1 degree increments from the prior setting to 125 degrees Fahrenheit. At 125 degrees Fahrenheit the temperature setting will decrease in 1 degree increment to the lowest setting, 100 degrees Fahrenheit.
6. The TIME and TEMP set points are remembered for your next bath unless power to the steam generator is lost.

Maintenance of the SteamPro Unit

Maintenance of the SteamPro includes flushing and visually inspecting for water leaks.

To remove the unit remove the access panel. Turn off power to the unit and disengage the power cord. Turn the water supply off at the shut off valve and drain the tank (if necessary). Disconnect all plumbing. Cut and discard shipping restraint. Remove 2 screws holding mounting bracket to wood plank. Slide unit toward front of base and remove. The reinstallation is the reverse of the removal procedure. It is not necessary to replace the shipping restraint.



Troubleshooting

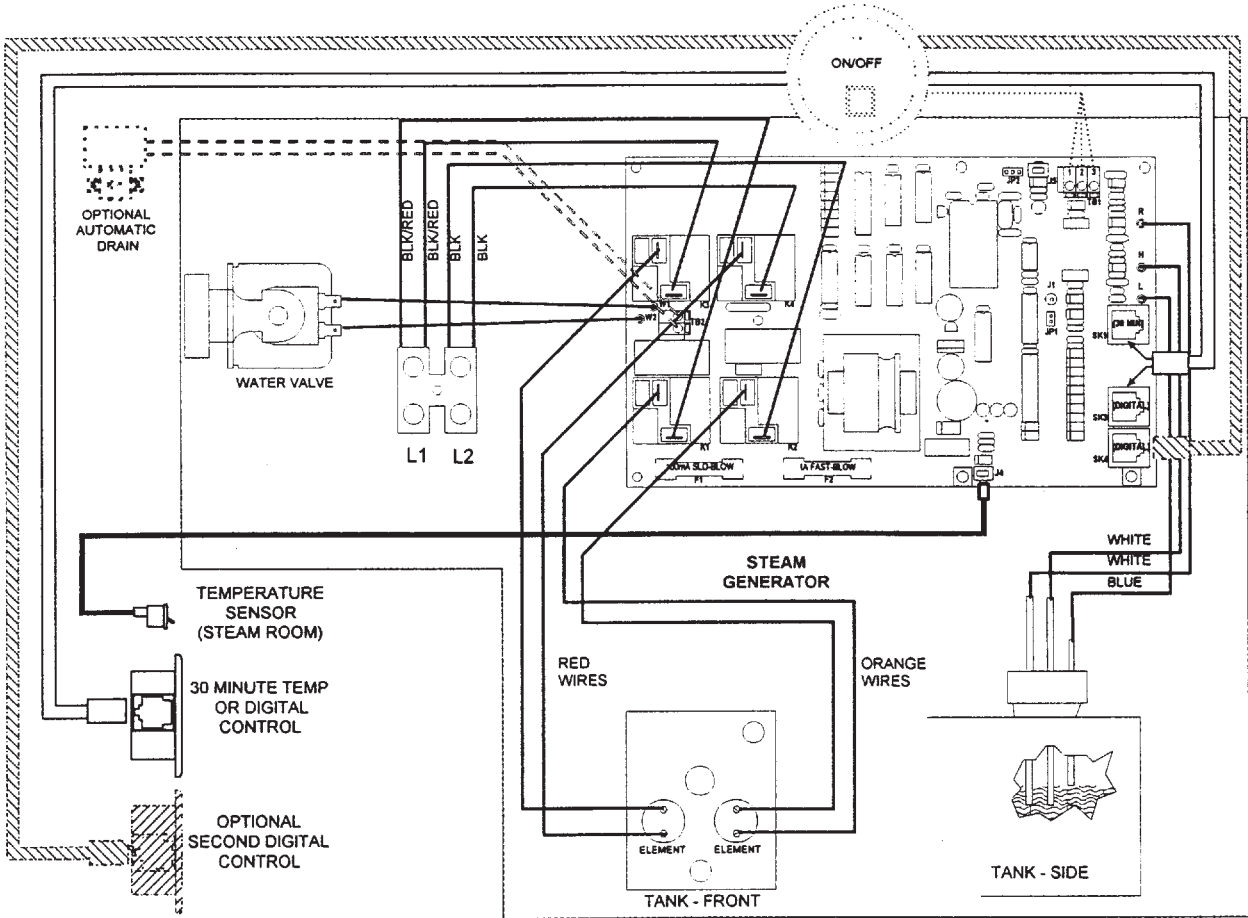
There are no user serviceable parts in the Generator. All repair should be performed by a qualified service person. For additional assistance or the factory authorized service person nearest you call the Service Department at 1-800-363-0251 (This number is only for service for the steam generator.). The Trouble Shooting Guide below is meant as a general aid only. Follow ACTION TO BE TAKEN in order until the problem is resolved.

SYMPTOMS	PROBABLE CAUSES	ACTION TO BE TAKEN
Control won't turn "ON" (Control light off).	Improper power supplied (no power). Control improperly connected. "PCA" printed circuit assembly is faulty. Control cable is faulty. Control is faulty.	<ol style="list-style-type: none"> 1. a. Make sure circuit breaker is "ON". b. Using a voltmeter, check the voltage across the two fuses on the "PCA" printed circuit assembly. Voltage should be 208V / 240V. c. Check fuses on the PCA. If fuse(s) are blown, replace with Buss# MDL 15/100 or equivalent fuse. If the fuse blows again - call Service Department. 2. Check control(s) installed per Section 6-5. 3. Replace PCA printed circuit assembly - call Service Department. 4. Replace control cable - call Service Department. 5. Replace the control - call Service Department.
Control "OFF". (Control light off) Water won't shut off and runs out of the steam head.	Water solenoid valve is stuck open. "PCA" printed circuit assembly is faulty.	<ol style="list-style-type: none"> 1. Turn off power to the generator. If the water stops, go to step 3. 2. a. Remove the water solenoid valve, disassemble, clean, re-assemble, and check for proper operation. b. Replace valve - call Service Department. 3. Replace the "PCA" printed circuit assembly - call Service Department.
Control "ON". (Control light on) Water won't shut off and runs out of the steam head.	"PCA" printed circuit assembly is faulty. Connection between the blue wire and the water level probe is faulty. Unit improperly grounded.	<ol style="list-style-type: none"> 1. Check that the blue wire is properly attached to the water level probe. 2. Check that the generator is properly grounded. 3. Check the green ground wires to the "PCA" printed circuit assembly. 4. Replace the "PCA" printed circuit assembly - Service Department.
Control "ON" (Control light on), Tank drained. Unit won't fill.	No water supplied (turned off?) Plugged water solenoid valve. Water solenoid valve is faulty. "PCA" printed circuit assembly is faulty. Level probe is faulty.	<ol style="list-style-type: none"> 1. Check for proper water supply (Supply valve "on"). Check for closed drain valve. 2. Remove the blue wire from the level probe. If the unit fills, clean or replace the level probe. 3. Reconnect the shortest wire to the level probe. At the water valve solenoid, slide back the blue connector enough to get the voltmeter probes on the solenoid terminals. Measure the voltage across the solenoid terminals. If it is not 208V / 240V replace the printed circuit assembly. If 208V / 240V is found proceed with steps 4 & 5. 4. Remove water solenoid valve; disassemble, clean, reassemble, and check for proper operation. 5. Replace the water solenoid valve - call Service Department.
(Auto Drain Only Installations) Control turned "OFF" tank does not drain after 25 minutes and motorized drain valve stays closed.	"PCA" printed circuit assembly is faulty. Drain valve may be clogged with calcium.	<ol style="list-style-type: none"> 1. a. Make sure 25 minutes has elapsed. b. Disconnect drain valve wires. If drain valve opens replace "PCA". 2. a. Disassemble drain valve and clean. b. Clean tank using defiming solution

Troubleshooting

SYMPTOMS	PROBABLE CAUSES	ACTION TO BE TAKEN
Control "ON". (Control light on) Unit won't steam. Note: Steam lit steadily or Time/Temp properly displayed on Digital Display	Unit has not filled completely. Heating elements burnt out. Level probe faulty. "PCA" printed circuit assembly is faulty.	<ol style="list-style-type: none"> 1. a. Push the control "OFF". b. Open the drain valve allowing tank to drain completely. c. Close the drain valve. d. Push the control "ON". e. Unit will begin filling, listen for a click noise. Within 20 seconds after click noise is heard, the water fill will shut off. This will indicate the tank is full. Go to step 3, if the tank does not fill - See SYMPTOMS: "Unit won't fill up". 2. If the tank filled but the relay click was not heard, temporarily ground the two long probes. If the click is heard as each probe is grounded, replace the level probe. If the click is not heard replace the "PCA" printed circuit assembly. 3. After it has been determined that the tank has filled and the click noise was heard, remove the heating element access panel. Using a voltmeter, check the voltage between the two wires on each heating element - the voltage should be 208V/240V. If proper voltage is found call the factory for replacement heating elements. If no voltage is found - check wiring diagram - call Service Department.
Control "ON". Digital Control displays "E001"	Temperature sensor not connected.	<ol style="list-style-type: none"> 1. Check that the sensor cable is connected to J4 on the "PCA" printed circuit assembly. 2. Check the cable connection to the temperature sensor. 3. Replace sensor and/or cable - call Service Department.
Control "ON". Digital Control displays "E002"	Temperature sensor or cable shorted.	<ol style="list-style-type: none"> 1. Check sensor cable for damage from nail/staple puncture. 2. Check sensor cable ends for frayed/exposed wire strands. 3. Replace sensor and/or cable - call Service Department.
Control "ON". Digital Control displays "E003"	Control improperly connected.	<ol style="list-style-type: none"> 1. Check that the control cable is properly plugged in at the control and at the generator. Digital Control to primary SK3 connector on the PCA. Turn off power supply, wait one (1) minute then turn back on. Check for proper operation. If "E003" is still displayed turn off power supply, remove control cable and plug into secondary SK4 connector. Turn on power supply and check for proper operation. If "E003" is still displayed turn off power and call Service Department.
Control "ON". Digital Control displays ">>>°"	Steambath temperature over 132°. Sensor/cable faulty.	<ol style="list-style-type: none"> 1. If bath is too hot, shut off circuit breaker and call Service Department. 2. Treat as "E002" fault above.
Control "ON". "STEAM" LED light blinking	Control improperly connected. Sensor/cable faulty. Control faulty.	<ol style="list-style-type: none"> 1. Check that the control cable is properly plugged in at the control and at the generator. Connect Control to primary SK1 connector on the PCA. Turn off power supply, wait one (1) minute then turn back on. Check for proper operation. If "STEAM" is still "blinking", turn off power supply and call Service Department. 2. Check sensor/cable as with Digital "E001" and "E002" 3. Replace Control - call Service Department.
Control won't turn "OFF" (Control light off).	Control is faulty.	<ol style="list-style-type: none"> 1. Replace the control - call Service Department.
Control "OFF" Unit won't shut off.	"PCA" printed circuit assembly is faulty.	<ol style="list-style-type: none"> 1. Turn off the power to the generator, replace printed circuit assembly - call Service Department.
Water continually sputters out of steam head.	Foaming contaminants in the water.	<ol style="list-style-type: none"> 1. Flush tank 3 times. See section 8, flushing procedure. 2. Call Service Department.
Unable to adjust Time or Temp setting with Digital Control	Control faulty. "PCA" printed circuit assembly is faulty.	<ol style="list-style-type: none"> 1. Replace control - call Service Department. 2. Replace PCA - call Service Department.

Wiring Diagram



**PRODUCT SPECIFICATIONS ARE SUBJECT TO CHANGE WITHOUT NOTICE.
USE INSTALLATION INSTRUCTIONS SUPPLIED WITH PRODUCT.**

Jacuzzi Whirlpool Shower base has obtained applicable code (standards) listings generally available on a national basis for products of this type. It is the responsibility of the installer/owner to determine specific local code compliance prior to installation of the product. Jacuzzi Whirlpool Shower base makes no representation or warranty regarding, and will not be responsible for any code compliance.

JACUZZI WHIRLPOOL BATH

Jacuzzi Whirlpool Bath National Headquarters
P.O. Drawer J, Walnut Creek, CA 94596 (925) 938-7070
Service Support: Call (800) 288-4002

©2002 Jacuzzi Whirlpool Bath T87100B 2/04



Printed on Recycled Paper

Printed in the U.S.A.

Jacuzzi Whirlpool Bath Limited Warranty Steam Generator Products

Jacuzzi Whirlpool Bath, warrants that its Steam Generators (warranted products) are free of manufacturing defects both as to workmanship and material for 5 years and it will replace or repair defective parts or equipment for the period of time and in accordance with the conditions set forth below. The terms of the warranty will be administered by Saunatec Inc. dba, AMEREC.

1. Applicability. This warranty applies when the warranted product (a) is installed in accordance with installation instructions provided, (b) is properly and reasonably maintained, and (c) has not been subjected to damage, misuse, or abuse.

2. Registration. This warranty becomes valid only after the Limited Warranty Registration form, provided with this warranty, is completely filled in and signed by the original purchaser and mailed to AMEREC within sixty (60) days from the date of original installation. This warranty is nontransferable and shall extend only to the original purchaser.

3. Duration of Warranty. AMEREC or its authorized representative will provide parts to replace those with manufacturing or workmanship defects for a period of five (5) years from the date of original installation, except when the warranted product is installed in commercial locations such as clubs, condominiums, apartments, spas or military facilities. In commercial locations, AMEREC or its authorized representative will provide parts to replace those with manufacturing or workmanship defects for a period of one (1) year from the date of original installation. Additionally, for noncommercial locations in the United States AMEREC or its authorized representative will provide reasonable labor to replace defective parts for a period of two (2) years from the date of original installation and three (3) additional years if the product is returned to the factory.

4. Warranty Work. All warranty work must be (a) authorized by AMEREC before it is performed; and (b) performed only by authorized AMEREC representatives. This warranty shall not apply to any charges for parts or labor incurred before receiving approval by AMEREC.

5. Return Authorization Number. A return authorization number assigned by an AMEREC representative must accompany all returned parts. Parts which are returned without a return authorization number may not be repaired or replaced.



Jacuzzi Whirlpool Bath
C/O AMEREC
P.O. Box 2258
Woodinville WA, 98072

6. Procedure. Requests for repair or replacement, a return authorization number, or warranty information should be directed to AMEREC by calling toll-free 1-800-363-0251 or by writing to AMEREC, 17683 128th Place N.E., Woodinville, WA 98072. Defective product or parts returned for repair or replacement must be shipped prepaid to AMEREC at the above address. Shipping costs for return of replacement product or parts to the purchaser will be at the expense of the purchaser.

7. Limitations, Exclusions, and Remedies. There are no warranties which extend beyond the descriptions on the face hereof. This limited warranty is in lieu of all warranties, expressed or implied, and of all other obligations or liabilities on the part of Jacuzzi Whirlpool Bath. There shall be no implied warranty of merchantability. Jacuzzi Whirlpool Bath neither assumes nor authorizes any person to assume for it any other obligation or liability in connection with the sale of its products. Damages for breach of this warranty shall not exceed the lesser of the cost of repair or replacement. Repair or replacement shall be the exclusive remedy available to the purchaser.

Under no circumstances shall Jacuzzi Whirlpool Bath be liable by virtue of this warranty or otherwise for any special, indirect, secondary, incidental, or consequential damage of any nature to any person or property arising directly or indirectly out of the use or inability to use a warranted product.

Some States do not allow limitations on how long an implied warranty lasts, or the exclusion or limitation of incidental or consequential damages, so the above limitations and exclusions may not apply to you.

8. Disputes. Any lawsuit alleging breach of this limited warranty shall be commenced within one year from the date of breach. In addition, any such lawsuit may be commenced only in King County, Washington.

This warranty gives you specific legal rights, and you may also have other rights which vary from State to State.



LIMITED WARRANTY REGISTRATION FORM
Please fill out and return within 60 days of installation to:
AMEREC, P.O. Box 2258, Woodinville WA 98072

The undersigned hereby acknowledges the receipt of Jacuzzi Whirlpool Bath Limited Warranty and affirms that the date of installation was _____20____, further that installation of the equipment has been completed according to the Jacuzzi Whirlpool Bath installation instructions furnished with the equipment and that I have read, understand and agree to the conditions and terms of the Jacuzzi Whirlpool Bath Limited Warranty in its entirety.

Name of Purchaser _____

Address _____ City _____ St. _____ Zip _____

Phone _____

Purchaser's Signature _____

Model No. & Serial No. _____

Jacuzzi Whirlpool Bath Limited Warranty

Builder Group Bath Product

WARRANTY COVERAGE

Jacuzzi Whirlpool Bath (the "Company") offers the following express limited warranty to the original purchaser of any Jacuzzi Whirlpool Bath Builder Group Bath Product ("unit") who purchases the product for personal or single family use ("user"). The Company will repair or replace, at its option, the unit or its equipment in accordance with the following terms and conditions.

ONE YEAR LIMITED WARRANTY ON BATHS

Our warranty on Builder Group Bath products is for one (1) year. Our warranty covers the unit and factory-installed components (e.g., pump, motor) against defects in material or workmanship. Warranty coverage begins on the date the unit was originally purchased by the user.

NINETY DAY (PARTS ONLY) LIMITED WARRANTY ON OPTIONS AND ACCESSORIES

Our warranty on options and accessories manufactured by the Company is for ninety (90) days for parts only. Our warranty covers options and accessories manufactured by the Company (e.g., fill spout kits, trim kits, skirts) against defects of material or workmanship. Warranty coverage begins on the date the option or accessory was originally purchased by the user.

WARRANTY LIMITATIONS

Our warranty does not cover defects, damage, or failure caused by the common carrier, installer, user, or other person, or resulting from, without limitation, any of the following: careless handling (lifting unit by plumbing, abrading finish, etc.) including its own negligence; modification of any type for any reason (including modification to meet local codes); improper installation (including installation not in accordance with instructions and specifications provided with the unit); connections supplied by the installer of the equipment; improper voltage supply or unauthorized electrical modification; misuse; incorrect operation, or lack of proper routine maintenance; operation of the unit without specified minimum amount of water or at inappropriate water temperature; use of abrasive or improper cleaners; or acts of God, such as lightning, floods, earthquakes, etc.

In addition, THE COMPANY WILL NOT BE RESPONSIBLE FOR INCIDENTAL OR CONSEQUENTIAL DAMAGES or losses arising from any cause (e.g., water damage to carpet, ceiling, loss of use, etc.) including its own negligence; damages to, respecting, or resulting from: plated parts when pool and/or spa chemicals are used in the unit; optional bath equipment not manufactured by the Company, supplied by Dealer, installer or the Company; the unit's prior usage as an operational display; or defects that should have been discovered before installation. This limited warranty does not include: labor, transportation, or other costs incurred in the removal and/or reinstallation of the original unit and/or installation of a replacement unit; any costs relating to obtaining access for repair; or loss of use damage, including loss of sales, profit or business advantage of any kind under any circumstances. Bath units in commercial use are excluded from any warranty coverage if any addition, deletion, or modification of any kind whatsoever has been made to the unit (or to any component).

Warranty coverage is provided in the United States of America and Canada.

IMPLIED WARRANTIES

Implied warranties of merchantability and fitness for a particular purpose are disclaimed altogether or to the full extent allowed by law.

NOTICE: This warranty gives you specific legal rights, and you may also have other rights which vary from state to state. There are no warranties applicable to Jacuzzi Whirlpool Bath products except as expressly stated herein or as implied by applicable state and federal laws. The Company will not be responsible for any statements or representations made in any form that go beyond, are broader than or are inconsistent with any authorized literature or specifications furnished by the Company.

Some states do not allow limitations on how long an implied warranty lasts, or the exclusion or limitation of incidental or consequential damages, so the above limitations and exclusions may not apply to you.

RETURN OF WARRANTY CARD

The attached Warranty Registration Card MUST be filled out by the purchaser within thirty (30) days from purchase and mailed to Jacuzzi Whirlpool Bath in order for this warranty to become effective.



Jacuzzi Whirlpool Bath
P.O. Drawer J
Walnut Creek, CA 94596-9885

RESPONSIBILITIES OF OTHERS

Inspecting the unit prior to installation is the responsibility of the installer or building contractor who acts on behalf of the user. They are responsible for ensuring the unit is free of defect or damage. Notices are placed on and in the unit and on the shipping carton advising the installer of this responsibility. In the event of a problem, the unit must not be installed. The Company is not responsible for failures or damage that could have been discovered, repaired, or avoided by proper inspection and testing prior to installation.

Damage occurring in transit is the responsibility of the carrier. The user or installer **MUST** open the crate and inspect the unit for damage when it is delivered. If damage is discovered, it must be reported immediately to the seller and the carrier in writing, and an inspection requested. Failure of the carrier to respond should be reported to the seller and the carrier. Your freight claims should be filed promptly thereafter.

It is the responsibility of the installer, building contractor, or user to provide access for service. The Company is not responsible for any costs relating to obtaining access for repair. The user shall bear such costs and, if appropriate, must seek recovery from the installer.

Damage occurring to the unit during installation is the responsibility of the installer and/or building contractor and damage occurring thereafter is the responsibility of the user.

Failure of any optional equipment is the sole responsibility of the equipment manufacturer. (Options and accessories manufactured by the Company are warranted for ninety (90) days from the original date of purchase for parts only.)

The Distributor or Dealer is responsible for knowing local code requirements and notifying the installing contractor and/or user of these requirements at the time of purchase. The Company is not responsible for costs to modify any product to obtain any code approval, such as city, county, or state building codes in U.S.A. or municipal or provincial codes in Canada.

WARRANTY SERVICE

For the customer's benefit, the Company maintains a list of independent service personnel to perform required warranty service repairs. Such firms are not agents or representatives of the Company and cannot bind the Company by words or conduct.

The Company will provide the warranty service described above when the following conditions have been met: the failure is of the nature or type covered by the warranty; the user has informed an Authorized Jacuzzi Whirlpool Bath Service Agent or Warranty Service Department Representative of the nature of the problem during the warranty period; conclusive evidence (e.g., proof of purchase or installation) is provided to the foregoing by the user proving that the failure occurred or was discovered within the warranty period; an authorized independent service person or Company representative has been permitted to inspect the unit during regular business hours within a reasonable time after the problem was reported by the user.

In order to obtain warranty service, consult your local telephone book for the location of the nearest Jacuzzi Whirlpool Bath Authorized Service Agent. Describe the problem and the Authorized Service Agent will inspect the unit and provide the required warranty service.

If you are unable to contact a Jacuzzi Whirlpool Bath Authorized Service Agent, call or write:

Jacuzzi Whirlpool Bath
Warranty Service Department
P.O. Drawer J
Walnut Creek, California 94596
Call: (800) 288-4002

To obtain warranty replacement for factory-installed components for Company supplied options and accessories manufactured and supplied by the Company, call or write the above. Provide a description of the problem and proof of purchase. You will be instructed how to obtain replacements and where to return, at your expense, the failed component(s), option(s), or accessory(ies).

All replacement parts, equipment, and repairs shall assume the remaining warranty period of the part(s) replaced.

The Company's warranty obligation shall be discharged upon tender of replacement or repair. The customer's refusal to accept the tender terminates the Company's warranty obligation.

©2002 Jacuzzi Whirlpool Bath T871000B 2/04

Ninety-Day
Parts Only
Limited Warranty
On
Accessory(ies)



Warranty Registration Card

This card must be filled out and returned to the address printed on the other side within thirty (30) days from date of purchase in order for this warranty to be come effective.

Purchaser's Name _____ Purchaser's Address _____

City _____ State _____ Zip _____

Date of Purchase _____

Serial Number _____

Dealer's Name _____

Dealer's Address _____

1. How did you first hear about this Jacuzzi® product?
 - Advertisement Article in Magazine/Newspaper
 - Visited Dealer/Plumbing Supplier Yellow Pages
 - Builder/Plumber/Remodeler Decorator/Architect
 - Visited Retailer/Home Center Store
 - Word of Mouth... Friend/Relative/Acquaintance
 - Other (Please Describe) _____
2. Who first gave you specific information about this product (specifications, prices, etc.)?
 - Dealer/Plumbing Supplier Builder Remodeler
 - Plumbing Contractor Retailer/Home Center Store
 - Decorator/Architect Already Installed
3. What was the main reason for purchase?
 - Styling Warranty Service Product Features
 - Brand Name Price Hydrotherapy
 - Home Resale
 - Other _____
4. Who finally decided which product you would buy?
 - Self Spouse Self and Spouse Together
 - Other Family Member Designer/Architect
 - Builder/Plumber/Remodeler Already Installed
5. Who installed?
 - Contractor/Plumber when remodeling
 - Self/Spouse when remodeling
 - Other _____
6. What is the current market value of this property?

Please estimate \$ _____ years
7. What is the age of the head of the household? _____ years
8. What other manufacturers did you consider?
 - Eijler Lasco Price Plister Aqua Glass
 - Kohler American Standard Sterling
 - Other (Specify) _____
9. How long did you shop before purchasing unit?
 - 1 day 2 months-6 months
 - 2-7 days 6 months-1 year
 - 1 week-2 weeks 1 year-2 years
 - 2 weeks-4 weeks +2 years
 - 1 month-2 months
10. Approximately how long have you lived in this home? _____ household
11. Please indicate, approximately, the total annual income of your household
 - Up to \$24,999 \$50,000 to \$74,999
 - \$25,000 to \$29,999 \$75,000 to \$99,999
 - \$30,000 to \$39,999 \$100,000 to \$149,999
 - \$40,000 to \$49,999 \$150,000 and Above
12. Was your purchase process?
 - Very easy Easy Difficult Very Difficult

Ninety-Day
Parts Only
Limited Warranty
On
Accessory(ies)

JACUZZI WHIRLPOOL BATH

T871000B