



*SmartSet<sup>®</sup> Triple Display, Dual Alarm  
Clock Radio with Indoor and Outdoor  
Temperature Sensors.*

(U.S. Patent No. 6,567,344)

**OWNER'S MANUAL**



**CKS9005**

**CKS9005BK**

Visit our web site at [www.emersonradio.com](http://www.emersonradio.com)

# WARNING

TO PREVENT FIRE OR SHOCK HAZARD, DO NOT USE THIS PLUG WITH AN EXTENSION CORD, RECEPTACLE OR OTHER OUTLET UNLESS THE BLADES CAN BE FULLY INSERTED TO PREVENT BLADE EXPOSURE. TO PREVENT FIRE OR SHOCK HAZARD, DO NOT EXPOSE THIS APPLIANCE TO RAIN OR MOISTURE.

 <p>The lightning flash with arrowhead symbol, within an equilateral triangle is intended to alert the user to the presence of uninsulated 'dangerous voltage' within the product's enclosure that may be of sufficient magnitude to constitute a risk of electric shock to persons.</p>	<p><b>CAUTION</b></p> <p><b>RISK OF ELECTRIC SHOCK</b> <b>DO NOT OPEN</b></p> <p>WARNING: TO REDUCE THE RISK OF ELECTRIC SHOCK, DO NOT REMOVE COVER (OR BACK), NO USER SERVICEABLE PARTS INSIDE REFER SERVICING TO QUALIFIED SERVICE PERSONNEL.</p>	 <p>The exclamation point within an equilateral triangle is intended to alert the user to the presence of important operating and maintenance (servicing) instructions in the literature accompanying the appliance.</p>
---	---	---

**CAUTION:** Use of controls or adjustments, performance of procedures other than those specified may result in hazardous radiation exposure.

The Caution Marking is located at the bottom of the apparatus.

Les précautions d'emploi sont inscrites en bas de l'appareil.

## IMPORTANT SAFETY INSTRUCTIONS

- 1.) Read these instructions. Keep these instructions. Follow these instructions. Heed all warnings.
- 2.) Do not use this apparatus near water.
- 3.) Clean only with dry cloth.
- 4.) Do not block any ventilation openings. Install in accordance with the manufacturer's instructions.
- 5.) Do not install near any heat sources such as radiators, heat registers, stoves, or other apparatus (including amplifiers) that produce heat.
- 6.) Do not defeat the safety purpose of the polarized or grounding-type plug. A polarized plug has two blades with one wider than the other. A grounding type plug has two blades and a third grounding prong. The wide blade or the third prong is provided for your safety. If the provided plug does not fit into your outlet, consult an electrician for replacement of the obsolete outlet.
- 7.) Protect the power cord from being walked on or pinched particularly at plugs, convenience receptacles, and the point where they exit from the apparatus.
- 8.) Only use attachments/ accessories specified by manufacturer.
- 9.) Unplug this apparatus during lightning storms or when unused for long periods of time.
- 10.) Refer all servicing to qualified service personal. Servicing is required when the apparatus have been damaged in any way, such as power-supply cord or plug is damaged, liquid has been spilled or objects have fallen into the apparatus, the apparatus has been exposed to rain or moisture, does not operate normally, or has been dropped.
- 11.) Use only with the cart, stand, tripod, bracket, or table specified by the manufacturer, or sold with the apparatus combination to avoid injury from tip-over.
- 12.) The apparatus shall not be exposed to dripping or splashing and that no objects filled with liquids, such as vases, shall be placed on apparatus.



L'appareil ne doit pas être exposé aux écoulements ou éclaboussures et aucun objet ne contenant de liquide, tel qu'un vase, ne doit être placé sur l'objet.

13.) Main plug is used as disconnect device and it should remain readily operable during intended use. In order to disconnect the apparatus from the main outlet completely, the main plug should be disconnected from the main outlet completely.

La prise du secteur ne doit pas être obstruée ou doit être facilement accessible pendant son utilisation. Pour être complètement déconnecté de l'alimentation d'entrée, la prise doit être débranchée du secteur.

14.) Battery shall not be exposed to excessive heat such as sunshine, fire or the like.

Les piles ne doivent pas être exposées à de forte chaleur, tel qu'à la lumière du soleil, au feu ou autres choses de semblable.

15.) The marking information is located at the bottom of apparatus.

Les marquages sont inscrits en bas de l'appareil.

#### NOTE:

- Minimum distance 10cm around the apparatus for sufficient ventilations.

10cm de distance minimale autour de l'appareil pour une ventilation suffisante.

- The ventilation should not be impeded by covering the ventilation opening with items such as Newspaper, table-clothes, curtain etc.

Ne pas recouvrir les entrées d'aérations avec des objets tel qu'un journal, une nappe, un rideau etc.

- No naked flame sources such as lighted candles should be placed on the apparatus.

Aucune source de flamme nue, tel qu'une bougie, ne doit être placée sur l'appareil.

- Attention should be drawn to the environmental aspects of battery disposal.

Les piles usagées doivent être jetées en respectant l'environnement.

- The use of apparatus in moderate climates.

L'utilisation de l'appareil dans un climat tropical et/ou modéré.

#### Before We Begin

Thank you for purchasing the SmartSet<sup>®</sup> Clock Radio from Emerson.

This clock radio uses Emerson's patented SmartSet<sup>®</sup> Automatic Time Setting System. The first time you connect this clock radio to your AC outlet, and after every power interruption, within seconds the clock will automatically set itself to the correct Year, Month, Date, Day, and Time. In addition all changes from Standard Time to Daylight Saving Time, and back to Standard Time, are made automatically.

There are dual alarms that can be set and used independently, and both of the alarms can be programmed for everyday operation, weekdays only, or weekends only.

There is a long life lithium battery installed in this clock radio when you buy it. This clock radio is equipped with AUX IN Jack to enjoy your iPod<sup>®</sup>, MP3 player or other audio source.

This clock radio can measure the indoor and outdoor temperature.

We have taken every precaution to make sure this radio was in perfect working order when it left our factory. If you encounter any problems with the set up or operation of this item, please call the Emerson Consumer Products Corp., Customer Service Hotline, toll free, at **1-800-898-9020**.

## IMPORTANT NOTES

- Avoid installing this unit in places exposed to direct sunlight or close to heat radiating appliances such as electric heaters, on top of other stereo equipment that radiates too much heat, places lacking ventilation or dusty areas, places subject to constant vibration and/or humid or moist areas.
- Operate controls and switches as described in the manual.
- Before turning on the power, make certain that the AC power cord is properly installed.
- When moving the set, be sure to first disconnect the AC power cord.

---

### FCC Information

This equipment has been tested and found to comply with the limits for a Class B digital device, pursuant to Part 15 of the FCC Rules. These limits are designed to provide reasonable protection against harmful interference in a residential installation. This equipment generates, uses, and can radiate radio frequency energy and, if not installed and used in accordance with the instructions, may cause harmful interference to radio communications. However, there is no guarantee that interference will not occur in a particular installation. If this equipment does cause harmful interference to radio or television reception, which can be determined by turning the equipment off and on, the user is encouraged to try to correct the interference by one or more of the following measures:

- Reorient or relocate the receiving antenna.
- Increase the separation between the equipment and receiver.
- Connect the equipment into an outlet on a circuit different from that to which the receiver is connected.
- Consult the dealer or an experienced radio/ TV technician for help.

This device complies with Part 15 of the FCC Rules. Operation is subject to the following two conditions:

1. This device may not cause harmful interference, and
2. This device must accept any interference received, including interference that may cause undesired operation.

**Warning:** Changes or modifications to this unit not expressly approved by the party responsible for compliance could void the user's authority to operate the equipment.

## PREPARATION FOR USE

### Unpacking and set up

- Remove the radio from the carton and remove all packing material from the radio. We suggest that you save the packing material, if possible, in the unlikely event that your radio ever needs to be returned for service. The original carton and packing material is the only safe way to pack your radio to protect it from damage in transit.
- Remove any descriptive labels or stickers on the front or top of the cabinet. Do not remove any labels or stickers from the back or bottom of the cabinet.
- Note the serial number on the bottom of your radio and write this number in the space provided on the Warranty page of this manual.
- Place your radio on a level surface such as a table, desk or shelf, convenient to an AC outlet, out of direct sunlight, and away from sources of excess heat, dirt, dust, moisture, humidity, or vibration.
- Unwind the AC power cord and extend it to its full length. The FM antenna is built in to this cord. It must be fully extended to provide the best FM reception.

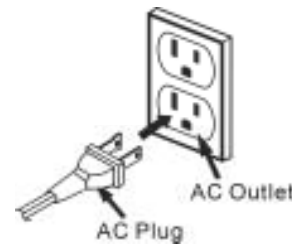
## Protect Your Furniture

This model is equipped with non-skid rubber 'feet' to prevent the product from moving when you operate the controls. These 'feet' are made from non-migrating rubber material specially formulated to avoid leaving any marks or stains on your furniture. However certain types of oil based furniture polishes, wood preservatives, or cleaning sprays may cause the rubber 'feet' to soften, and leave marks or a rubber residue on the furniture. To prevent any damage to your furniture we strongly recommend that you purchase small self-adhesive felt pads, available at hardware store and home improvement centers everywhere, and apply these pads to the bottom of the rubber 'feet' before you place the product on fine wooden furniture.

## Power Source

This radio is designed to operate on normal 120V 60Hz AC power only. Do not attempt to operate the radio on any other power source. You could cause damage to the radio that is not covered by your warranty.

This radio should be connected to an AC outlet that is always 'live'. Do not connect it to an outlet that is controlled by a wall switch. When the power to the radio is interrupted, the built in lithium battery takes over to maintain the time and alarm settings.



NOTE: This system is equipped with a polarized AC power plug having one blade wider than the other. This is a safety feature. If this plug does not fit into your existing AC outlet, do not try to defeat this safety feature by filing the wide blade to make it fit into your outlet.

## SureAlarm™ Battery Back-Up System

This SmartSet® Clock Radio includes SureAlarm™ battery back-up circuit that can wake you up even if the power is 'off' at the selected wake up time. If your power is 'off' at the selected wake up time the clock display will be off and the radio will not operate, but a separate mini-buzzer will turn 'on' automatically to wake you up, even if the "Wake to Radio" option was selected.

The Sure Alarm will sound for 30 seconds and then shut off automatically.

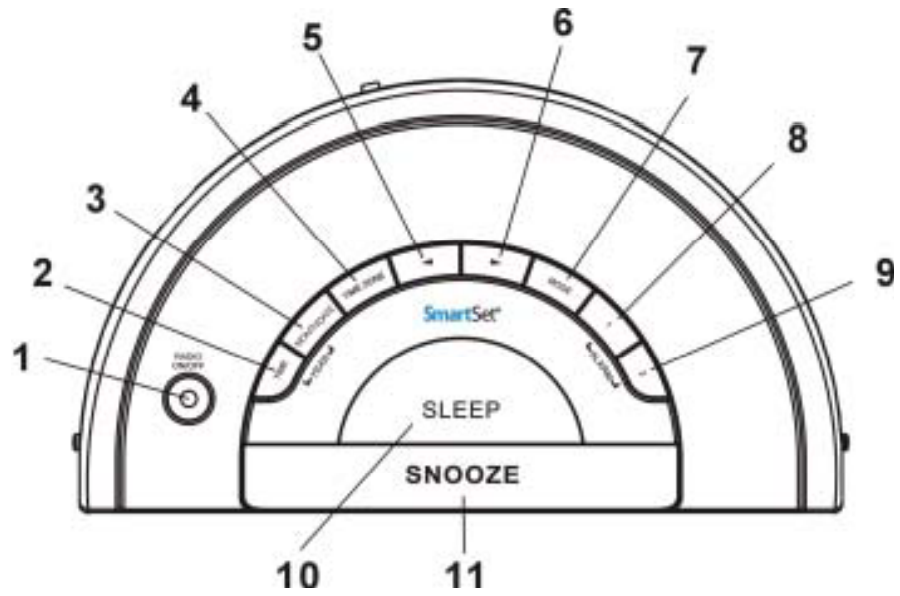
To stop the Sure Alarm buzzer immediately, press the **RADIO ON/OFF** button.

Pressing the **SNOOZE** button has no effect during SureAlarm™ operation.

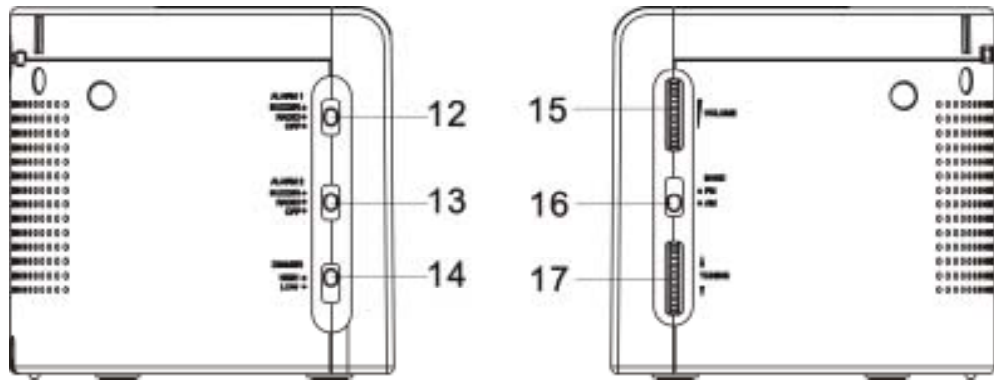
NOTE: In order to maximize the life of the built in lithium battery, please be sure to set the ALARM 1 and ALARM 2 switches to the 'OFF' position if the radio will be disconnected from the AC outlet for more than a few hours. This will prevent the Sure Alarm from turning 'On' unnecessarily.

# LOCATION OF CONTROLS AND INDICATORS

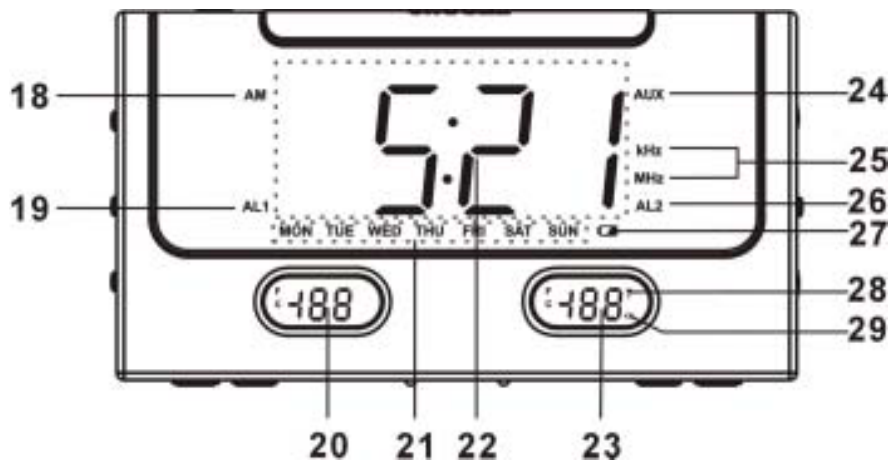
## Top Panel



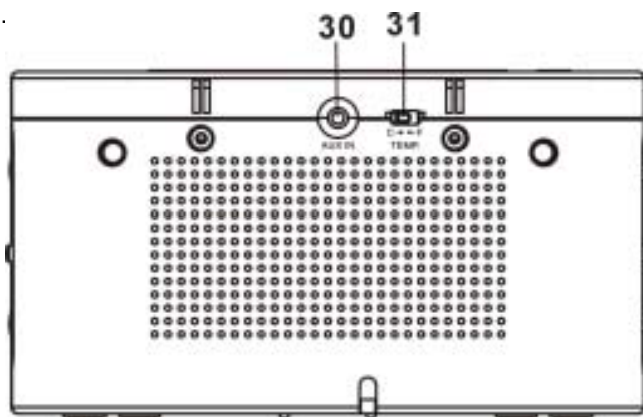
## Side Panel



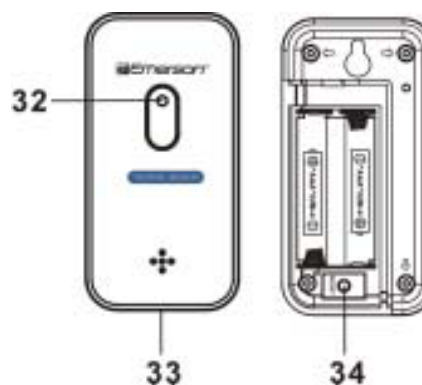
## Front Panel



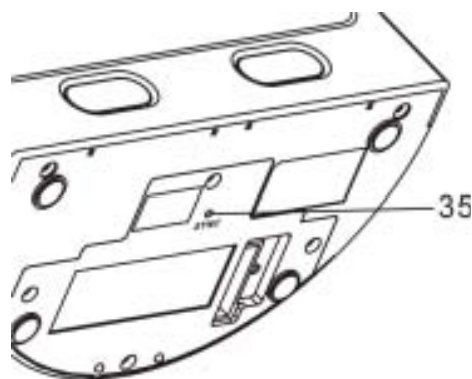
## Back Panel



## Wireless Thermo Sensor



## Bottom Panel



- |  |  |
|--|--|
| <ol style="list-style-type: none"> <li>1) <b>RADIO ON/OFF</b> Button</li> <li>2) <b>TIME</b> Setting Button</li> <li>3) <b>MONTH/DATE</b> Setting Button</li> <li>4) <b>TIME ZONE</b> Button</li> <li>5) <b>SET</b> ◀ Button</li> <li>6) <b>SET</b> ▶ Button</li> <li>7) <b>MODE</b> Button</li> <li>8) <b>ALARM 1</b> setting button</li> <li>9) <b>ALARM 2</b> setting button</li> <li>10) <b>SLEEP</b> Button (Sleep To Music Timer)</li> <li>11) <b>SNOOZE</b> Button</li> <li>12) <b>ALARM 1</b> (BUZZER/RADIO/OFF) Selector Switch</li> <li>13) <b>ALARM 2</b> (BUZZER/RADIO/OFF) Selector Switch</li> <li>14) <b>DIMMER</b> (HIGH/LOW) Selector Switch</li> <li>15) <b>VOLUME</b> Control</li> <li>16) <b>BAND</b> (FM/AM) Selector Switch</li> <li>17) <b>TUNING</b> Control</li> <li>18) <b>AM</b> Time Indicator</li> <li>19) <b>AL1</b> (Alarm1'On') Indicator</li> </ol> | <ol style="list-style-type: none"> <li>20) <b>INDOOR TEMPERATURE</b> Display</li> <li>21) <b>DAY OF WEEK</b> Indicators (MON, TUE, WED, THU, FRI, SAT, SUN)</li> <li>22) <b>TIME/DATE</b> Display</li> <li>23) <b>OUTDOOR TEMPERATURE</b> Display</li> <li>24) <b>AUX</b> Indicator</li> <li>25) <b>Frequency</b> Indicator</li> <li>26) <b>AL 2</b> (Alarm 2 'On') Indicator</li> <li>27) <b>LOW BATT.</b> Indicator (Main Display)</li> <li>28) Receiving Indicator</li> <li>29) <b>Low Battery</b> Indicator (Outdoor temperature display)</li> <li>30) <b>AUX IN</b> Jack</li> <li>31) <b>TEMP.</b> (Centigrade/ Fahrenheit) Selector Switch</li> <li>32) Transmitting Indicator</li> <li>33) <b>Temperature Sensor</b> (At the bottom of Thermo Sensor)</li> <li>34) <b>RESET</b> Button</li> <li>35) <b>SYNC</b> Button</li> </ol> |
|--|--|



# OPERATING INSTRUCTIONS

## Setting The Time, The First Time

**IMPORTANT:** The first time you connect your new SmartSet® clock radio to the AC outlet the internal computer will automatically set the time correctly for the **Eastern Time Zone**, which is the initial default setting. The display will scan for a few seconds and then show the correct Time, Day and Year in the Eastern zone. If you live in the Eastern Time zone, there is nothing else to do. Your clock is set correctly and running. If you do not live in the Eastern Time zone you must change the default zone display to your own zone. You only do this one time and the SmartSet® will remember the new default zone setting and will always return to that setting after a power interruption.

There are 7 time zones programmed into your SmartSet® clock radio as follows:

ZONE 1 -- Atlantic Time	ZONE 5 – Pacific Time
ZONE 2 – Eastern Time (Default setting)	ZONE 6 – Yukon Time
ZONE 3 -- Central Time	ZONE 7 – Hawaiian Time
ZONE 4 – Mountain Time	

To change the default time zone display, press the **TIME ZONE** button. The number “2” will appear on the display indicating that the default zone is ZONE 2, Eastern Time.



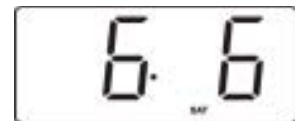
Hold the **TIME ZONE** button and then press either the **SET** ◀ or ▶ button until your own time zone appears on the display, then release these buttons. The clock display will change to the correct time in the time zone you selected. The clock will always return to the correct time in the zone you selected after every power interruption.

If you move to a different time zone, simply change the default zone display to the new zone and the SmartSet® will remember that setting for you.

## Date Display

To see the correct date at any time, press the **MONTH/DATE** button. The display changes from time to Month and Date (MM/DD).

For example, JUN 6<sup>th</sup> will appear as “6. 6”, and the day of week will appear in the display at the same time. When you release the **MONTH/DATE** button, the display return to the correct time.



## Year Display

To see the correct year, press the **MONTH/DATE** and **TIME** buttons together. The display changes from time to year.

When you release the **MONTH/DATE** and **TIME** buttons the display returns to the correct time.

## Daylight Savings and Leap Year Adjustments

All Daylight Savings and Leap Year adjustments are made automatically by the SmartSet® internal computer as follows:

- **Start of Daylight Saving Time:**  
At “2:00 AM” on the 2nd Sunday in March, the clock will automatically advance to “3:00 AM”.
- **End of Daylight Saving Time:**  
At “3:00AM” on the 1st Sunday in November, the clock will automatically reset to “2:00 AM”.
- **Leap Year:**  
At “12:00 Midnight” on February 28th, the calendar display will change to “2.29”.



## Manual Time Adjustments

Some people like to set their clocks 5 to 10 minutes fast to make sure that they will always be on time. Even though the SmartSet® sets the time by itself, you still have the option of adjusting the time manually if you wish.

To manually adjust the time display press and hold the **TIME** button, and press either the **SET** ◀ or ▶ button to adjust the time display ahead or back as desired.

Each press of the **SET** ◀ or ▶ button will change the display by one minute. If you hold the **SET** ◀ button the display will continue to change. The display will change slowly at first, one minute at a time. If you continue holding the **SET** ◀ or ▶ buttons the display will change rapidly.

**NOTE:** If you manually adjust the time, your new setting is entered into the SmartSet® memory. If the power is interrupted, the display will return to your new setting, not the original setting, when the power is restored.

## Adjusting The Wake Up Times

Your SmartSet® clock radio has two separate alarms that can be set and used independently. You may use the alarms to wake two people at different times, or you may use one alarm for weekdays and the other for weekend wake up times. The procedure for adjusting the wake up time is the same for both Alarm 1 and Alarm 2.

1. Press and hold either the **ALARM 1** or **ALARM 2** setting button.  
The display will change from the correct time to the Alarm 1 or Alarm 2 wake up time.
2. While holding the **ALARM 1** or **ALARM 2** setting button, press either the **SET** ◀ or ▶ button to move the display ahead or back to your desired wake up time.
3. When the desired wake up time appears on the display, release the **SET** ◀ or ▶ button.  
**NOTE:** Be sure that you have set the wake up time correctly by observing the AM indicator. If the **AM** indicator is 'On' the wake up time is "AM". If the AM indicator is 'off', the wake up time is "PM".
4. When the desired wake up time (AM or PM) appears on the display, release the **ALARM 1** or **ALARM 2** setting button.

## Selecting The Alarm Mode

Your SmartSet® clock radio allows you to select from among three different alarm operation modes for either alarm. The alarm modes are:

- **Everyday** – the alarm will turn on all 7 days.
- **Weekdays only** – the alarm will only turn on Monday through Friday;
- **Weekends only** – the alarm will only turn on Saturday and Sunday;

To check the Alarm Mode setting for Alarm 1, press the **ALARM 1** setting button. The display will show the Alarm 1 wake up time and the **DAY OF WEEK** indicators will show you the alarm mode which is selected.

- If all 7 indicators are 'On', the Everyday mode is selected.
- If only the **MON** (Monday) through **FRI** (Friday) indicators are 'On', the Weekdays only mode is selected.
- If only the **SAT** (Saturday) and **SUN** (Sunday) indicators are 'On', the Weekends only mode is selected.



To change the Alarm Mode setting for Alarm 1, hold the **ALARM 1** setting button and press the **MODE** button until the **DAY OF WEEK** indicators show the desired mode setting, Weekdays only, Weekends only, or Everyday operation.

Release the **MODE** and **ALARM 1** setting buttons, the display will return to the correct time.

Follow the same procedure to select the desired Alarm Mode for Alarm 2 if necessary.

### Checking The Wake Up Times And Alarm Mode

Whenever you want to check the wake up time or the alarm mode settings, simply press either the **ALARM 1** or **ALARM 2** setting button. The display will change from correct time to wake up time and the **DAY OF WEEK** indicators will show you the alarm mode which is currently selected.

Release the **ALARM 1** or **ALARM 2** setting button to return to correct time.

### Listening To The Radio

1. Set the **Band** selector to the desired band, **AM** (530 -1710 kHz) or **FM** (88 – 108 MHz).
2. Set the **VOLUME** control to a low setting.
3. Press the **RADIO ON/OFF** button to turn the radio 'On'. Radio frequency will be shown on display for 5 seconds.
4. Select your desired station with the **TUNING** control.
5. Adjust the **VOLUME** control to the desired setting.
6. When you are finished listening, press the **RADIO ON/OFF** button to turn the radio " Off ”.

### Antenna Information

**AM** – The AM bar antenna is inside the cabinet. If AM reception is weak, change the position of cabinet until the internal antenna picks up the strongest signal.



**AM**



**FM**

**FM** – The FM antenna is built into the AC power cord. If FM reception is weak try varying the position and direction of the AC power cord until you find the strongest signal.

## Wake To The RADIO

1. Turn the radio 'On' and select the band, station, and volume level that you wish to hear when the alarm comes 'On', then turn the radio 'Off' again.
2. Reconfirm the wake up time and alarm mode settings for the alarm you are using, Alarm 1, Alarm 2, or both alarms.
3. Set the **ALARM** selector switch for one or both alarms to the "RADIO" position. The appropriate **AL1** and/or **AL 2** indicators will light up to confirm that the alarms are set.
4. At the selected wake up time, the radio will turn 'On'. It will play for one hour and then shut off automatically.
5. To stop the radio sooner, press either the appropriate **ALARM 1** or **ALARM 2** button, or press the **RADIO ON/OFF** button. The radio will stop but the alarm remains set and will turn the radio on again at the same time on the following day (depending on the Alarm Mode setting).
6. If you do not want the alarm to turn the radio on the following day, set the appropriate **ALARM** selector switch to the "OFF" position.

## Wake To Buzzer (Crescendo Alarm)

**NOTE:** Alarm 1 and Alarm 2 have different buzzer sounds.

- Alarm 1 is a "Single beep" sound.
- Alarm 2 is a "Double beep" sound.

You will be able to tell which alarm is going off by the sound that it makes.

- 1.) Reconfirm the wake up time and alarm mode settings for the alarm you are using, Alarm 1, Alarm 2, or both alarms.
- 2.) Set the **ALARM** selector switch for one or both alarms to the **BUZZER** position. The appropriate **AL1** and/or **AL 2** indicator will light up to confirm that the alarms are set.
- 3.) At the selected wake up time the buzzer will sound. It will begin softly and gradually increase in volume to wake you up. It will continue for one hour and then shut off automatically.
- 4.) To stop the buzzer sooner, press either the appropriate **ALARM 1** or **ALARM 2** button. The buzzer will stop but the alarm remains set and will turn the buzzer on again at the same time on the following day (depending on the Alarm Mode setting).

To stop the buzzer and turn on the radio immediately, press the **RADIO ON/OFF** button twice instead of the **ALARM 1** or **ALARM 2** button.

- 5.) If you do not want the alarm to turn the buzzer on the following day, set the appropriate **ALARM** selector to the "OFF" position.

## Radio And Buzzer Operation

You may also set one alarm for wake to **Radio** and the other for wake to **BUZZER**. Just set the **ALARM 1** and **ALARM 2** selector switches to the desired position.

## Snooze/Repeat Alarm

After the alarm turns 'On' in the morning you can press the **SNOOZE** button on the top cabinet for a few extra minutes sleep.

The corresponding **AL** indicator will flash.

The alarm will stop for approximately 9 minutes and repeats.



The Snooze operation may be repeated several times if desired but after one hour the alarm will not come on again.

## Sleep To The Radio or Music Timer

You can program the sleep timer to play the Radio or AUX IN for up to 90 minutes and then shut 'Off' automatically.

1. Press the **SLEEP** button.

The display will briefly show "10" and the Radio or AUX IN will begin to play.

After 10 minutes the Radio or AUX IN will shut off automatically. Each time you press the **SLEEP** button, the sleep timer will start at 10 minutes. This is the sleep timer default setting.

2. To increase or decrease the amount of the time that the Radio or AUX will play before shutting off, hold the **SLEEP** button and press the **SET** ◀ or ▶ button to change the display to the desired sleep time, up to a maximum of "90" minutes or a minimum of "2" minutes.

**NOTE:** When you change the sleep time from the 10 minutes default setting to a different setting, the new setting becomes the default setting. Whenever you activate the sleep timer it will begin with your new default setting and count down to zero from that point.

3. The Sleep operation may be repeated several times if desired but after one hour it will not repeat.
4. To cancel the sleep timer before it counts down to "00" and shut the radio "Off" immediately, press the **RADIO ON/OFF** Button.


**IMPORTANT:** Remember that the station and volume settings you choose for the Sleep To Music operation are the same settings you will hear if you set the alarm for wake to radio the following morning.

## DIMMER Control

The **DIMMER** control was set to the High position as the factory default setting. If you find the clock display is too bright in a darkened room, set the DIMMER control to the LO (Low) position.

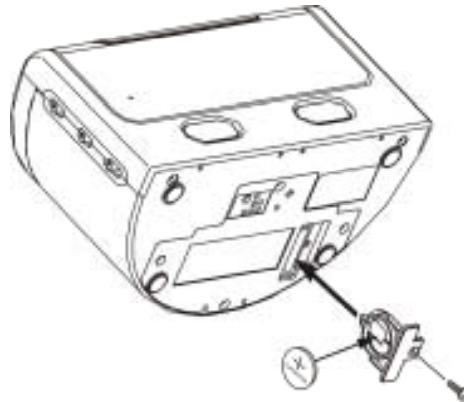
## Changing The Lithium Battery


Like all batteries, eventually the built in lithium battery will need to be replaced. A number of factors, such as, the length of time between the date the radio was manufactured and the date you plugged it in for the first time determine the amount of time before replacement. During this initial storage period, the lithium battery is supplying power to the SmartSet<sup>®</sup> computer memory. Once you plug the radio in, your household outlet supplied the power, and the battery is not being used. A fresh lithium battery can supply power to the SmartSet<sup>®</sup> computer for at least 2 years even if it is never connected to an AC power supply. If your clock radio was connected to your AC supply within a few months after it was manufactured, and you experience only the normal, nuisance type, short duration power interruptions, your battery may last for up to 5 years or even longer.

When the battery power drops below a certain level, the  LOW BATT indicator (Main display) will 'flash'. When you see this indicator, you should change the battery as soon as it is convenient for you to do so. To change the battery proceed as follows:

1. Purchase a replacement 3V lithium battery wherever batteries are sold. The battery type is **CR2032** or equivalent.
2. Remove the battery from its package so it is ready to install.  
**IMPORTANT:** Leave the radio AC power cord connected to your AC outlet. This will provide power to the SmartSet<sup>®</sup> computer memory while the original lithium battery is removed.
3. Turn the radio face up and use a small screwdriver to remove the screw securing the battery holder to the cabinet.

**BE CAREFUL NOT TO LOSE THIS SMALL SCREW!**



4. Remove the original battery from the holder and insert the new battery into the holder the same way, observing the positive (+) direction. Slide the holder with the new battery back into the slot in the cabinet.
5. Replace the screw that secures the battery holder in the cabinet.
6. Turn the radio right side up and confirm that the  LOW BATT. Indicator (Main Display) is 'Off'.
7. Save these instructions.


**CAUTION: DANGER OF EXPLOSION IF BATTERY IS INCORRECTLY REPLACED. REPLACE ONLY WITH THE SAME OR EQUIVALENT TYPE.**

**Precaution: Danger d'explosion si les piles sont remplacees de facon incorrect. Remplacer les piles seulement par le meme type de pile ou l'equivalent.**

### **Lithium Battery Precautions**

- Dispose of the old battery properly. Do not leave it lying around where a young child or pet could play with or swallow it. If the battery is swallowed, contact a physician immediately.
- Battery may explode if mistreated. Do not attempt to recharge it or disassemble it. Do not dispose of the old battery in a fire.

## Resetting The Clock After A Total Memory Loss

If you do not change the built in lithium battery within a reasonable period of time after you see the  (main display) warning indicator, the lithium battery may become exhausted and will no longer be able to supply back up power to the SmartSet® internal computer. If the unit is disconnected from the AC outlet in main display after the battery is exhausted, or if a power interruption occurs, the SmartSet® memory will be lost and the clock will need to be reset the clock, otherwise the clock will need to be reset each time the power is interrupted.

If the lithium battery is exhausted and you experience an interruption in the AC power supply, the clock will reset itself to it initial default setting when the power is restored.

The initial default setting is “**12:00AM, TUESDAY, January 1<sup>st</sup> (1.1), 2008**”.

If you notice that the time on your SmartSet® clock radio is completely incorrect, and the **DAY OF WEEK** indicator is also wrong, press the **MONTH/DATE** button to see the date.

If the date display is showing “1.1” (January 1<sup>st</sup>), you probably experienced a total memory loss.

To reset the clock after a total memory loss, proceed as follows:

1. Follow the instructions on “Changing the lithium battery’ item and install a new **CR2032** lithium battery in the battery compartment.
2. Connect the radio to your AC outlet and let the clock set itself.
3. Press the **MONTH/DATE** and **TIME** buttons together. The display will change from ‘Time’ to ‘Year’.

While holding the **MONTH/DATE** and **TIME** buttons, press the **SET ►** button to set the display to the correct year, and then release the buttons.

4. Press the **MONTH/DATE** button. The display will change from ‘Time’ to ‘**MONTH/DATE**’ (MM/DD).

While holding the **MONTH/DATE** button, press the **SET ►** button to set the display to the correct Month and Date. The **DAY OF WEEK** indicator will change automatically as you adjust the Month/Date settings. When the correct Month and Date appear on the display, release the buttons.

5. Press the **TIME** button and the **SET ►** button to set the display to the correct Time. Be sure to confirm that you have set the time correctly to ‘AM’ or ‘PM’ by observing the **AM** indicator.
6. After you set the Time, reconfirm that the **Day**, and **MONTH/DATE** displays are still correct. Make final adjustments if necessary.

The SmartSet® clock memory is now reset.

**IMPORTANT NOTE:** After resetting the clock, don’t forget to reset your wake up times, and alarm mode settings, and sleep timer settings as well.

## Using AUX IN Jack to enjoy your iPod, MP3 or other audio source

This clock radio is equipped with AUX IN Jack to enjoy your iPod, MP3 player music or other audio source.

1. Turn on the clock radio by pressing the **RADIO ON/OFF** button.
2. Connect your iPod, MP3 player or other audio source from its earphone jack to the clock radio **AUX IN** jack with a cable with 2 ends 3.5mm stereo plug. (cable not included)
3. "**AUX**" indicator will light on the display while the **AUX IN** jack is plugged in, and the radio will change to AUX function.
4. Start to play iPod, MP3 or other audio player, and set the player volume to maximum.
5. Adjust the main unit volume to your desired level.
6. Stop the main unit and your iPod, MP3 or other audio player when finished listening, and disconnect the cable from the **AUX IN** jack.

### NOTE:

1. Once **AUX IN** jack is plugged in, the alarm will default to Wake to buzzer, if the alarm function is activated.
2. When the alarm time is reached, the music will be muted, and the Buzzer will sound. Press the **RADIO ON/OFF** button twice to play the music again.

## TEMPERATURE OPERATION

### Set-up The Wireless Thermo Sensor Transmitter:


Slide open battery door. Install two "AAA" size batteries (not included), matching the polarity (+/-) in the battery compartment.



### Outdoor Temperature Display



### Note:

If the battery power drops below a certain level, the  low battery symbol will flash on the outdoor temperature display. The batteries should be changed.

USE only a well known brand of alkaline batteries for longest life and best performance.

### Operating Range of Batteries

Extended periods of cold temperatures (below 14°F / -10°C) can cause alkaline batteries to function improperly. This will cause the outdoor wireless sensor to stop transmitting temperature reading. Use lithium batteries in these low temperature conditions to ensure continued operation for wireless sensors placed outdoors.

### Battery Precautions

- Replacement of batteries must be done by an adult.
- Do not mix old and new batteries.
- Do not mix alkaline, standard (carbon-zinc) or rechargeable (nickel-cadmium) batteries.
- The supply terminals are not to be short-circuited.
- Non-rechargeable batteries are not to be recharged.
- Exhausted batteries are to be removed.
- Only batteries of the equivalent type are to be used.
- Batteries are to be inserted with the correct polarity.
- Dispose of batteries properly. Do not dispose of batteries in fire. The batteries may explode or leak.



When replacing the batteries or during an interruption with the transmitter, the main unit can not display the correct temperature, please refer to the section “ TO SYNCHRONIZE OUTDOOR TEMPERATURE” procedure, step 4 - 6.

### To Synchronize Outdoor Temperature:

1. Before the main unit receives the temperature data from the Wireless Thermo Sensor. You have to complete the code synchronizing communication between the wireless Thermo Sensor and main unit.
2. Insert the plug of main unit into the AC outlet, the main unit will show the indoor temperature on the indoor temperature display.

3. The outdoor temperature display will appear “F - -” or “C - -”. (Fahrenheit or Centigrade).
4. Use a pointed non-metallic object, such as pencil tip to press the “SYNC” button which is located at the bottom of the main unit to initiate the wireless Thermo Sensor code synchronization.
5. The receiving indicator “Y” will blink on the outdoor temperature display.

**NOTE:** The receiving indicator “Y” will blink for 3 minutes until receiving the wireless Thermo Sensor code, it will stop blinking once the code is received. The temperature will then be displayed. If the receiving indicator “Y” disappears, it means that the connection was lost, press the “SYNC” button again to restart the process.

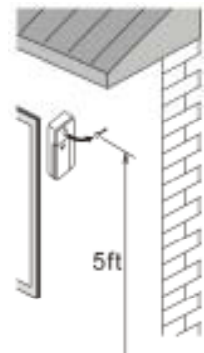
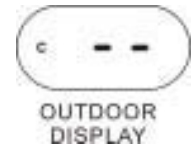
6. Press the “RESET” button on the Wireless Thermo Sensor once, this will transmit the code and temperature data approximately every 10 seconds to the main unit. It will transmit the code and temperature data continuously for 5 minutes, after 5 minutes the code synchronization will stop and only the temperature data will transmit. If the synchronization is not completed within 5 minutes you will have to repeat steps 4 -6 again.

Once the code synchronization is successful, the outdoor temperature will show on the display and the receiving indicator will stop blinking.

7. Place the wireless Thermo Sensor outside. The outdoor temperature display temperature display will show the outdoor temperature.

### Placing The Wireless Thermo Sensor At Outdoor

1. The Thermo Sensor should be located in an area protected from the sunlight and rain. Mount the sensor under a covered location like a roof overhang, this will ensure an accurate temperature reading.
2. The main unit should not be placed close to any electrical appliances such as a computer, TV, monitor etc.
3. The MAX distance between the main unit and Thermo Sensor must be an open area within 80 feet. If there are any obstructions between the main unit and sensor, the distance will need to be shorter than 80 feet. Once the outdoor temperature appears on the display, the distance between the two is good.
4. If the temperature reading is lower than  $-15^{\circ}\text{C}$  /  $5^{\circ}\text{F}$ , the display indicates “LL”; If the temperature is higher than  $55^{\circ}\text{C}$  /  $131^{\circ}\text{F}$ , the display indicates “HH”.



**IMPORTANT:**

Select the desired **location** for the “Wireless Thermo Sensor” and main unit, if the “Outdoor Temperature Display” shows **a flashing digit**, that means the outdoor “Wireless Thermo Sensor” is too far away from the main unit, please re-locate either the “Wireless Thermo Sensor” or main unit until the “Outdoor Temperature Display” shows the temperature reading and the receiving indicator “**Y**” lights on.



**Outdoor Display**

If you find the display temperature read out is not correct, please re-do the code synchronization procedure, follow steps 4-6 in “To synchronize outdoor temperature”.

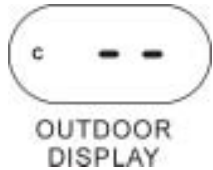

**Warning**

The main unit is an AC power operated unit. It is intended for indoor use only. It is prohibited to put the Main unit into a wet chamber, refrigerator or hot chamber to measure the temperature. It will cause a hazardous shock.

**Change the temperature mode:**

Set TEMP. (Centigrade/ Fahrenheit) selector to the desired temperature mode. When the Centigrade (Fahrenheit) temperature appears in the display, set the TEMP. to the “F” (“C”) position, the temperature will change into the Fahrenheit (Centigrade) mode.

# TROUBLE SHOOTING GUIDE

Symptom	Possibility causing/suggestion
Indoor or outdoor temperature display shows up “LL”.	If the indoor or outdoor temperature is below $-15^{\circ}\text{C} / 5^{\circ}\text{F}$ , “LL” shows. This is not an error.
Indoor or outdoor temperature display shows up “HH”.	If the indoor or outdoor temperature is over $55^{\circ}\text{C} / 131^{\circ}\text{F}$ , “HH” shows. This is not an error.
Outdoor temperature display shows up “- -”.  	The code synchronization has been interrupted and needs to be redone. Please follow “To Synchronize Outdoor Temperature” steps 4 - 6.
Outdoor temperature display shows flashing temperature.  	The Thermo Sensor is <b>too</b> far away from the main unit; move it closer to the main unit until the temperature reading stops flashing.  NOTES: 1. Placing the main unit near any electrical appliance, i.e. Computer, TV, monitor, etc, may cause a signal interference. Please re-locate the main unit. Once the main unit has been relocated, it needs to be resynced to the sensor. Please follow steps 4 – 6 in the “To Synchronize Outdoor Temperature” section of the manual.  2. Extra low temperature might cause the Wireless Thermo Sensor stop data transmitting working improperly or battery dead. In such case, you have to wait for the temperature return to $-10^{\circ}\text{C}$ , and redone the resynced to the sensor. Please follow steps 4 – 6 in the “To Synchronize Outdoor Temperature” section of the manual.
This “- -T” indicator is flashing on the outdoor temperature display.	Main unit has started the code synchronization with the Thermo Sensor, please move the Thermo Sensor closer to main unit until the outdoor temperature display shows the temperature.
Transmitting indicator LED of Wireless Thermo Sensor does not flash every 10 seconds after installing the battery <b>or press “RESET” button.</b>	Check to see if the batteries have been inserted correctly. Please follow the battery polarity (pg.14) to install battery.  If the battery is inserted correctly and the LED is still not flashing, replace the battery.

## **RECOMMENDED OPERATING TEMPERATURE**

Temperature transmitter -10°C to +52°C  
Main Unit 0°C to +45°C

## **SPECIFICATION**

Transmitting frequency 433.92MHz  
Transmission distance Max. 80 feet in open area  
Temperature resolution:  
a. Indoor unit 1°C  
b. Outdoor unit 1°C

FOR ADDITIONAL SET-UP OR OPERATING ASSISTANCE  
PLEASE CALL:  
1-800-898-9020 OR  
1-800-695-0098 OR  
EMAIL TO: [internet@emersonradio.com](mailto:internet@emersonradio.com)

## **CARE AND MAINTENANCE**

### **Care Of Cabinets**

If the cabinet becomes dusty, wipe it with a soft cloth. If the cabinet becomes smudged or dirty, clean it with a soft, slightly dampened cloth. Never allow water or any liquid to get inside the cabinet. Never use any abrasive cleaners or cleaning pads as these will damage the finish of your radio.

## **LIMITED WARRANTY**

Emerson Radio Corp. warrants manufacturing defects in original material, including original parts and workmanship, under normal use and conditions, for a period of ninety (90) days from the date of original purchase in the U.S. With your dated proof of purchase, we will provide repair service at no charge for labor and parts or replace the product at our discretion. For repair or replacement, pack your unit in a padded box, enclose your check or money order payable to Emerson Radio Corp. in the amount of \$9.00 to cover shipping and handling costs, and enclose a copy of your proof of purchase.

Send your unit to:

**Emerson Returns Facility  
11500 Philadelphia St.  
Mira Loma, CA 91752  
ATTN: Returns Department.**

This warranty does not cover damage from negligence, misuse, abuse, accident, failure to follow operating instructions, commercial use, rental, repairs by an unauthorized facility, or product purchased, used, serviced or damaged outside of the United States.

**THIS WARRANTY GIVES YOU SPECIFIC LEGAL RIGHTS, AND YOU MAY ALSO HAVE OTHER RIGHTS WHICH VARY FROM STATE TO STATE.**

**AU898N**

The Serial Number of this unit is located on a label on the bottom of the cabinet. Please take a moment now to write this Serial Number in the space provided below. You may be asked for this number when calling for service assistance.

**Model No: CKS9005**

**Serial No:** \_\_\_\_\_

