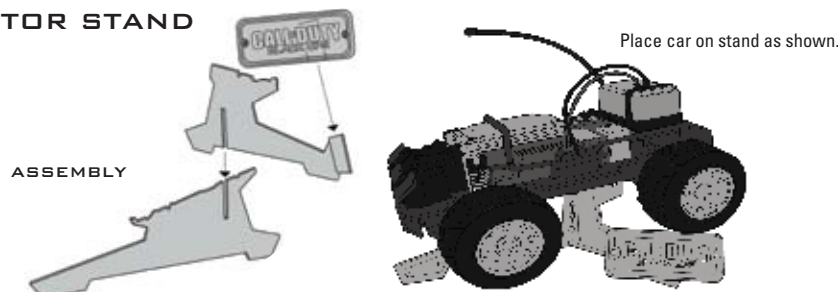


Product Line: <b>Activision RC Car</b>		Minimum Packaging Spec:-
Studio: <b>In-house</b>		
Customer:	Vendor: <b>Early Light</b>	
Item No.: <b>28692/29431</b>	Version: <b>US</b>	Revision: <b>01</b>
Description: <b>Rumble Car - Instruction</b>		
Color(s): <b>Black ONLY</b>	Coating: <b>x</b>	
Dimension (Width x Height x Depth): <b>11"(W) x 8.5"(H) - with one folding</b>		
Primary Display Panel (PDP) Size: <b>13"(W) x 22"(H)</b>		

## COLLECTOR STAND



## IMPORTANT SAFETY INFORMATION / BATTERY WARNINGS AND PROPER USE

**⚠ WARNING:** Battery acid leakage can cause personal injury and cause damage to the product and surrounding property. If battery leakage occurs, thoroughly wash any affected skin, making sure to keep battery acid away from eyes, ears, nose and mouth. Immediately wash any clothing or other surface that comes in contact with leaked battery acid. Leaking batteries may make "popping" sounds. Dispose according to local, state and federal laws.

### TO AVOID BATTERY PROBLEMS:

- NEVER mix old and new batteries or different brands of batteries.
- NEVER mix alkaline, standard (carbon-zinc), or rechargeable (nickel-cadmium) batteries.
- NEVER dispose of batteries in fire, as they may leak and explode.
- NEVER disassemble, modify, or attempt to short circuit the battery compartment.
- NEVER leave batteries in the product for long periods (a week or more) of non-use.
- NEVER leave the product on after the batteries have lost their charge.
- NEVER put batteries in backwards by placing the negative (-) battery pole into the positive (+) receptor slot.
- ALWAYS have an adult install and change the batteries.
- ALWAYS remove exhausted batteries from toy.
- ALWAYS have an adult install batteries consistent with installation instructions.
- ALWAYS use batteries according to the instructions.
- Non-rechargeable batteries are not to be recharged.
- Batteries are to be inserted with the correct polarity.
- Exhausted batteries are to be removed from the toy.
- The supply terminals are not to be short-circuited.
- Only batteries of the same or equivalent type as recommended are to be used.

This device complies with Part 15 of the FCC Rules. Operation is subject to the following two conditions :

- (1) this device may not cause harmful interference, and
- (2) this device must accept any interference received, including interference that may cause undesired operation.

Warning: Changes or modifications to this unit not expressly approved by the party responsible for compliance could void the user's authority to operate the equipment.

This equipment has been tested and found to comply with the limits for a Class B digital device, pursuant to Part 15 of the FCC Rules. These limits are designed to provide reasonable protection against harmful interference in a residential installation. This equipment generates, uses, and can radiate radio frequency energy and, if not installed and used in accordance with the instructions, may cause harmful interference to radio communications. However, there is no guarantee that interference will not occur in a particular installation. If this equipment does cause harmful interference to radio or television reception, which can be determined by turning the equipment off and on, the user is encouraged to try to correct the interference by one or more of the following measures:

- Reorient or relocate the receiving antenna.
  - Increase the separation between the equipment and receiver.
  - Connect the equipment into an outlet on a circuit different from that to which the receiver is connected.
  - Consult the dealer or an experienced radio / TV technician for help.
- Shielded cables must be used with this unit to ensure compliance with the Class B FCC limits.

### 90 DAY LIMITED WARRANTY

**IMPORTANT NOTICE TO CONSUMER:** This 90 DAY LIMITED WARRANTY applies to the original product purchaser, provided the product: 1) was purchased from an authorized ACTIVISION distributor/dealer/retailer, and 2) is returned at your expense, postage pre-paid and insured, along with the original dated sales receipt to the address noted below. Please save a copy of your original sales receipt, as the original receipt will not be returned to you. If you return the product to us without the original dated sales receipt, this warranty coverage will not apply. If the product is determined by JAKKS™ to be defective and returned to JAKKS™ within the 90 day warranty period, we will (at our option) repair or replace it. Return shipment to you may take up to 6 weeks, depending upon your location. If your product is repaired or replaced, it will be warranted for the longer of the original warranty or for 30 days after warranty service.

**SCOPE OF LIMITED WARRANTY:** The product is warranted to be: a) tested and inspected before shipment, and b) free of defects in material and workmanship for 90 days from date of purchase. If a covered defect occurs within the warranty period, then at our sole option, we will repair or replace the product or provide you with another product of equal value.

**WHAT IS NOT COVERED BY LIMITED WARRANTY:** THIS WARRANTY IS VOID IF THE PRODUCT HAS BEEN MODIFIED OR REPAIRED BY USER OR OTHERS OR IF IT HAS BEEN DAMAGED AS A RESULT OF ACCIDENT, IMMERSION IN WATER, NEGLIGENCE, ABUSE, MISUSE, BATTERY LEAKAGE, IMPROPER BATTERY INSTALLATION, UNAUTHORIZED SERVICE, LOSS OF PARTS, WEATHER, ACTS OF GOD, ANY ACTION OR OMISSION WHICH CONSTITUTES A DEVIATION FROM THE OPERATING INSTRUCTIONS, OR ANY OTHER CAUSES NOT ARISING OUT OF DEFECTS IN WORKMANSHIP OR MATERIALS. EXCLUSIONS FROM LIMITED WARRANTY: THIS WARRANTY IS EXCLUSIVE OF AND IN LIEU OF ALL OTHER EXPRESS OR IMPLIED WARRANTIES RELATED TO THIS PRODUCT, INCLUDING ANY IMPLIED WARRANTIES OF MERCHANTABILITY OR FITNESS FOR A PARTICULAR PURPOSE. SPECIAL, INCIDENTAL AND CONSEQUENTIAL DAMAGES ARISING FROM POSSESSION, USE, OR MALFUNCTION OF THIS PRODUCT ARE EXCLUDED BOTH FOR PROPERTY DAMAGE AND PERSONAL INJURY TO THE EXTENT LEGALLY PERMITTED.

**ADDITIONAL LEGAL RIGHTS:** This warranty provides specific legal rights. You may have other or different rights in your state or country.

**QUESTIONS OR COMMENTS:** If you experience product difficulties or have questions or comments, you may contact our Consumer Relations department as follows:

Phone: 877-875-2557 (toll-free, North America only) or 909-594-7771 x560 (Mon-Fri, 7:30AM-4:30PM Pacific/GMT -8).  
Mail: JAKKS Consumer Relations, 21749 Baker Parkway, Walnut, California USA 91789. Email: consumers@jakks.com

**WHEN WRITING TO US:** Please include: 1) product name; 2) item number; 3) purchase date; 4) description of the problem being experienced; and 5) your name, address and phone number. Additionally, if eligible under the warranty and so advised by JAKKS Consumer Relations, also include the defective product and the ORIGINAL dated sales receipt evidencing product purchase. Please retain a copy of your receipt.

© 2010 Activision Publishing, Inc. Call of Duty and Activision are registered trademarks of Activision Publishing, Inc. INCLUDES: 1 CALL OF DUTY®: BLACK OPS GAME DISC, 1 RC-XD VIDEO SURVEILLANCE VEHICLE, 1 TRANSMITTER and 1 COLLECTOR STAND

Contents may vary in style, color, shape and decoration from images shown.

**WARNING:** To avoid danger of suffocation, keep this bag away from babies and children. Do not use in cribs, beds, carriages or playpens. This bag is not a toy. Discard bag and any other packing materials immediately after removing product. Do not re-use this bag.

# RC-XD VIDEO SURVEILLANCE VEHICLE MANUAL

12 AA's Required

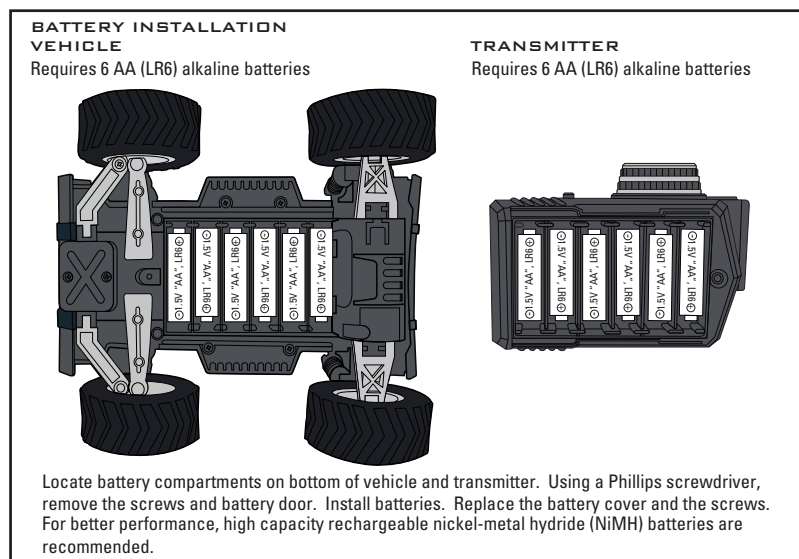
(Not Included)

Ages 8+

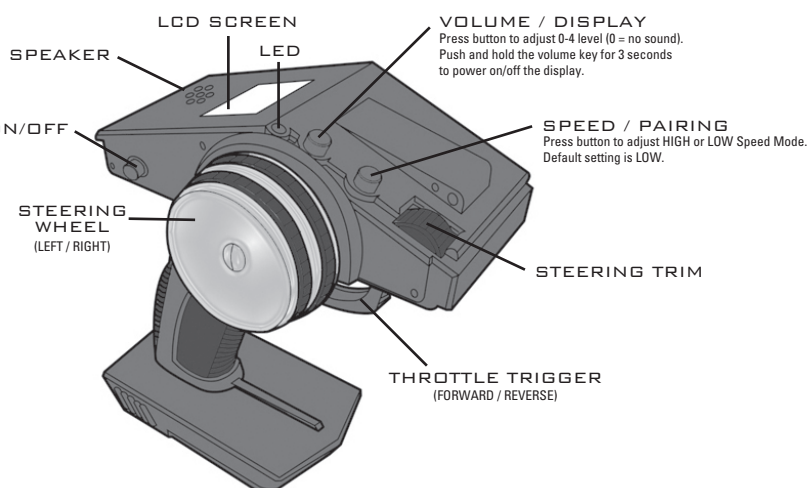
Back Cover

Front Cover

## INSTRUCTIONS

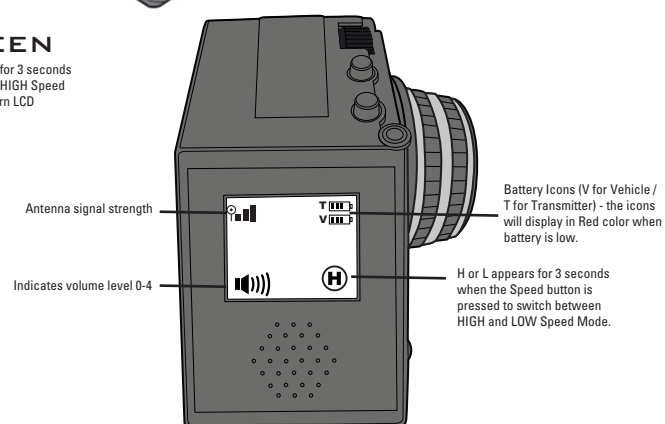


## TRANSMITTER



## LCD SCREEN

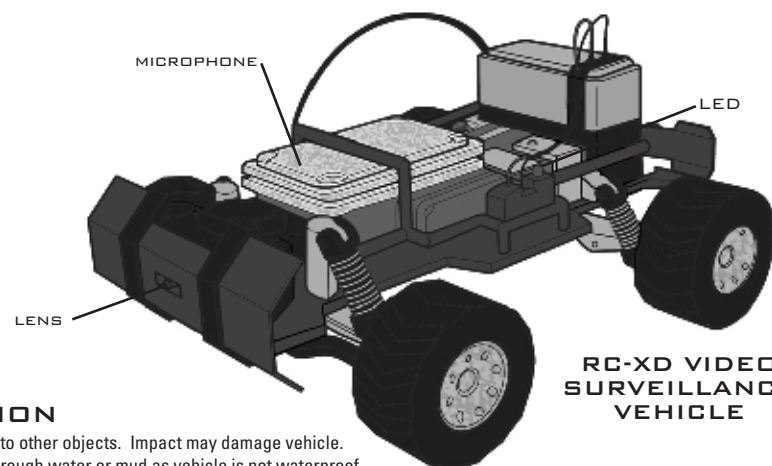
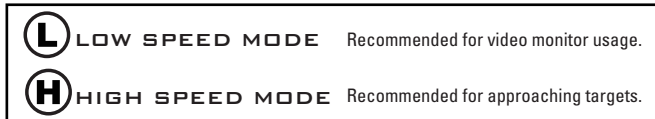
Push and hold the volume key for 3 seconds to power on/off the display. In HIGH Speed mode, it is recommended to turn LCD screen off.



## VEHICLE OPERATION

1. Turn on the power for both the vehicle and the transmitter.
2. Test the transmitter and vehicle by turning the transmitter steering wheel and watching to see if the vehicle's wheels turn as well. If not, see PAIRING information in troubleshooting section below.
3. Apply gentle pressure to the throttle by pulling the trigger back to move the vehicle forward. Apply more pressure to the throttle to increase speed. Slow or reverse the vehicle by reversing the direction of pressure on the throttle trigger. The default speed setting is LOW. NOTE: If the vehicle does not drive straight when no steering input is given, adjust the front wheel angle using the steering trim.
4. Steer the vehicle by turning the steering wheel on the transmitter in the direction you wish the vehicle to go. Slight changes to the wheel will result in gentle turns, while sharp twists of the steering will result in sharp turns.

Note: If you reverse vehicle direction abruptly, the motor will pause momentarily (for ~ 1 second) to prevent damage.



## CAUTION

1. Never steer into other objects. Impact may damage vehicle.
2. Never drive through water or mud as vehicle is not waterproof.
3. Never drive vehicle in parking lots, near roads, pets or cars.
4. Never touch the rear wheels or pick up the vehicle while it is in motion.
5. Always keep fingers, hair, and eyes away from the wheels while the vehicle is in the "ON" position.
6. Always store vehicle in a cool, dry place. Never store near heat or direct sunlight.

## TROUBLESHOOTING

■ **PAIRING** - Press and hold the Speed/Pairing button until the LED flashes on the transmitter. Then, using a small point (such as a paper clip), press the Pairing button on the bottom of the vehicle to complete the pairing process. The pairing information will be stored in the vehicle's memory automatically and will remain even after it is turned off.

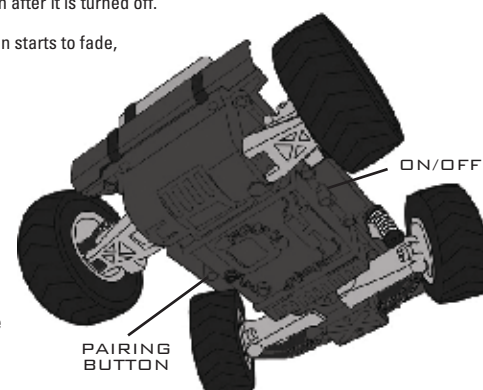
■ If the vehicle will not operate or slows down, or the video screen starts to fade, batteries may need to be replaced.

■ If the vehicle is not traveling in a straight line, adjust the front wheel alignment using the steering trim.

■ If the vehicle moves erratically without the transmitter, or the LCD screen begins to flicker, there may be interference with the signal, the vehicle is out of range, or the batteries are running low. To fix this, try: 1) moving to a new location, 2) holding the transmitter higher above the ground, 3) moving closer to the vehicle, or 4) replacing the batteries.

■ Direct sunlight into the vehicle's camera may cause the transmitter's LCD screen to turn white. Move the camera's angle away from the sun to restore the LCD screen.

■ If the LCD screen is flickering a lot, move to a new location.



2

3

Inside

Inside