

BATTERY SAFETY INFORMATION

⚠ WARNING! Battery acid leakage can cause personal injury and cause damage to the product and surrounding property. If battery leakage occurs, thoroughly wash any affected skin, making sure to keep battery acid away from eyes, ears, nose and mouth. Immediately wash any clothing or other surface that comes in contact with leaked battery acid. Leaking batteries may make "popping" sounds. Dispose according to Local, State or Federal Battery Laws.

TO AVOID BATTERY PROBLEMS:

- NEVER mix old and new batteries or different brands of batteries.
- NEVER mix alkaline, standard (carbon-zinc), rechargeable batteries with this product.
- NEVER dispose of batteries in fire, as they may leak and explode.
- ALWAYS remove exhausted batteries from toy.
- ALWAYS have an adult install batteries consistent with installation instructions.
- ONLY use batteries specified by manufacturer.
- Batteries are to be inserted with the correct Polarity.
- The supply terminals are not to be short-circuited.
- Non-rechargeable batteries are not to be recharged.
- Rechargeable batteries are to be removed from the toy before being charged.
- Rechargeable batteries are only to be charged under adult supervision.

This device complies with Part 15 of the FCC Rules. Operation is subject to the following two conditions: (1) this device may not cause harmful interference, and (2) this device must accept any interference received, including interference that may cause undesired operation.

WARNING: Changes or modifications to this unit not expressly approved by the party responsible for compliance could void the user's authority to operate the equipment.

NOTE: This equipment has been tested and found to comply with the limits for Class B digital device, pursuant to Part 15 of the FCC Rules. These limits are designed to provide reasonable protection against harmful interference in a residential installation. This equipment generates, uses and can radiate radio frequency energy and, if not installed and used in accordance with the instructions, may cause harmful interference to radio communications. However, there is no guarantee that interference will not occur in a particular installation. If this equipment does cause harmful interference to radio or television reception, which can be determined by turning the equipment off and on, the user is encouraged to try to correct the interference by one or more of the following measures:

- Reorient or relocate the receiving antenna.
- Increase the separation between the equipment and receiver.
- Connect the equipment into an outlet on a circuit different from that to which the receiver is connected.
- Consult the dealer or an experienced radio/TV technician for help.

This device complies with Industry Canada license-exempt RSS standard(s). Operation is subject to the following two conditions: (1) this device may not cause interference, and (2) this device must accept any interference including interference that may cause undesired operation of the device.

Cet appareil est conforme à la section 15 des règlements de la FCC. Son fonctionnement est sujet aux deux conditions suivantes : (1) cet appareil ne peut causer d'interférence nuisible et (2) cet appareil doit accepter toutes les interférences, y compris celles pouvant provoquer un fonctionnement indésirable.

ATTENTION: Toute modification ou altération apportée à cet appareil sans autorisation expresse de la partie responsable de sa conformité peut révoquer le droit de l'utilisateur à l'utiliser.

REMARQUE: Cet appareil a fait l'objet de tests et a été jugé conforme aux limites d'appareils numériques de classe B, selon la section 15 des règlements de la FCC. Ces limites ont été établies afin de fournir une protection raisonnable contre les brouillages préjudiciables dans le cadre d'une configuration à usage privé. Cet appareil génère, utilise et peut irradier de l'énergie de fréquences radioélectriques. S'il n'est pas utilisé selon les directives d'emploi, il peut causer un brouillage nuisible aux communications radioélectriques. Néanmoins, il n'est fait aucune garantie que ces perturbations ne surviendront pas dans une situation particulière. Si cet appareil cause des perturbations radio électriques nuisibles dans la réception de la télévision ou de la radio, ce qui peut être déterminé en allumant et éteignant à nouveau l'appareil, il est recommandé que l'utilisateur essaye de corriger le brouillage en suivant une ou plusieurs de ces mesures :

- Réorienter ou déplacer l'antenne de réception.
- Accroître l'écart entre l'appareil et le récepteur.
- Brancher l'appareil dans une prise de circuit différent de celui sur lequel le récepteur est branché.
- Consulter le revendeur ou un technicien agréé radio/télévision.

Cet appareil satisfait aux normes RSS de matériel radio exempté de licence par le Gouvernement du Canada.

Son fonctionnement est sujet aux deux conditions suivantes: (1) Il ne doit pas causer de brouillage préjudiciable et (2) doit accepter tout brouillage reçu, y compris tout brouillage qui pourrait nuire à son fonctionnement.



8+

SPY NET® VIBRASONIC WALKIE TALKIES



**REQUIRES 4 AAA (LR03)
ALKALINE BATTERIES
(NOT INCLUDED)**

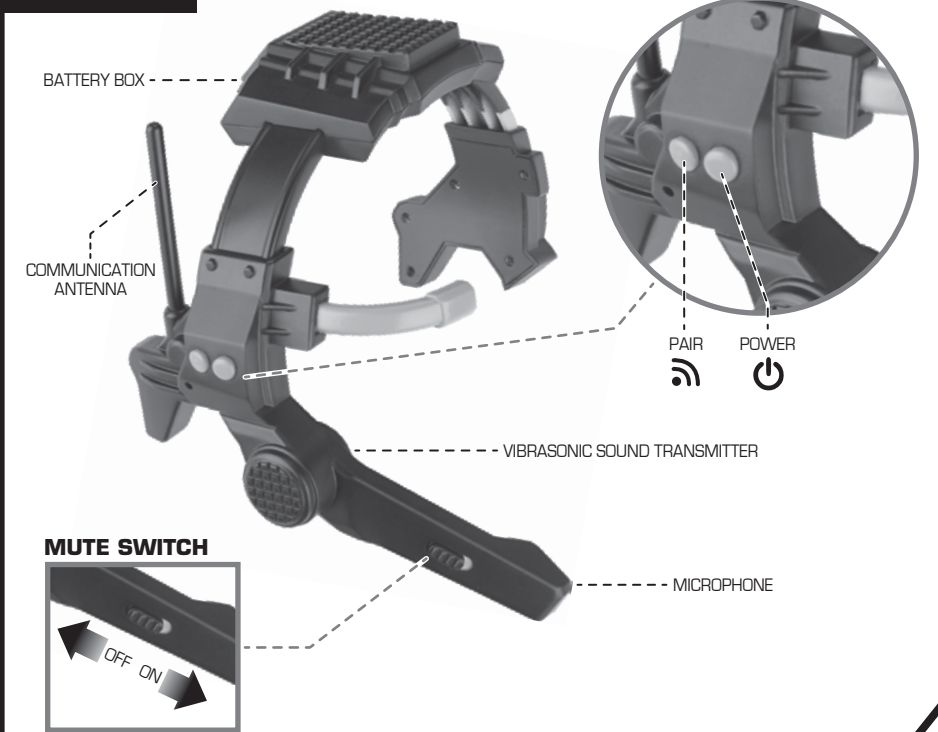
©2018 and manufactured for / fabriqué pour JAKKS PACIFIC, INC., 2951 28TH ST., SANTA MONICA, CA 90405 USA.
® and/™ designate U.S. trademarks of / désignent les marques déposées de JAKKS Pacific. Other trademarks used under license / Autres marques déposées utilisées sous licence. MADE IN CHINA. FABRIQUÉ EN CHINE.
Imported into / Importé dans EU by JAKKS Pacific (UK) Ltd., 1 Arlington Square, Downshire Way, Bracknell, Berkshire RG12 1WA, GB and JAKKS Pacific Germany GmbH, Lindenstraße 26a, D-91126 Schwabach, DE.
www.jakks.com www.jakks.com/warranty consumers@jakks.com
North America / Amérique du Nord: 1.877.875.2557 or 1.909.594.7771
United Kingdom / Royaume-Uni: 00.44 (0)1344.638909

Colors & decoration may vary. Retain packaging/instructions for reference.
Les couleurs et le décor peuvent varier par rapport aux illustrations.
Conserver l'emballage/instructions pour toute référence.
Remove all packaging before giving toy to child.
Enlever le jouet de l'emballage avant de le donner à un enfant.
WARNING! Small Parts. Choking Hazard.
ATTENTION ! Petits éléments. Danger d'étouffement.
78441KT



Minimum Packaging Qty:		5	
Product Line:	Spylit	Version:	11-2
Manufacturer:	Spylit	Revision:	00
Item No.:	78441	Description:	SPYNET Vibrasonic Walkie Talkies
Color(s):	Black	Dimension (Width x Height x Depth):	8" x 11" x 2"
Primary Display Panel (PDP) Size:			

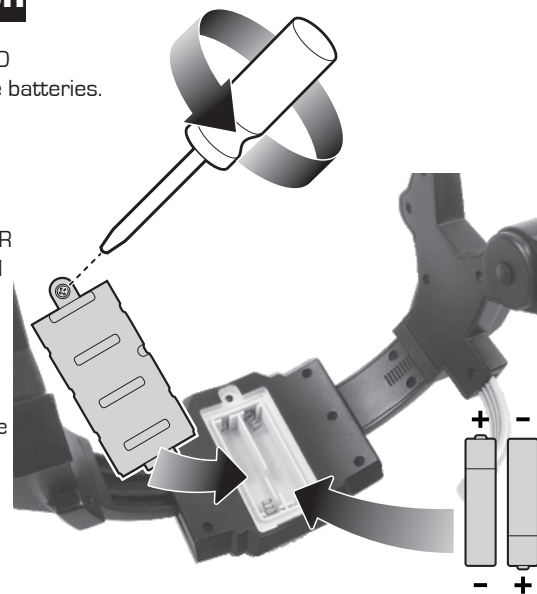
Controls



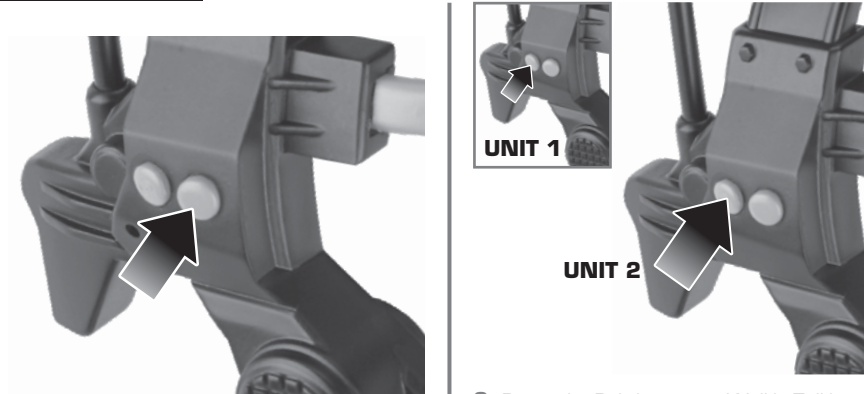
Battery Installation

ADULT INSTALLATION REQUIRED
Requires 4 "AAA" (LR03) alkaline batteries.
Batteries not included.
When performance diminishes, replace with fresh batteries.

1. Locate and open BATTERY COVER as shown. Use a Phillips/ cross head screwdriver (not included) to loosen screw. Screw remains attached to cover.
2. Install 2 - 1.5V AAA (LR03) ALKALINE BATTERIES in each Walkie Talkie in the orientation shown.
3. Replace BATTERY COVER and tighten screw.



Operation



1. Press power buttons on both Vibrasonic Walkie Talkies.
2. Press the Pair button on Walkie Talkies one by one to pair the units. LED will be solid on when the pairing is completed.



3. Put on the Vibrasonic Walkie Talkies, and adjust headset to fit on your head.
- Pressing Vibrasonic sound transmitter against your cheekbone enhances hearing performance.

Tips for Best Performance

- The Vibrasonic Walkie Talkies may malfunction if subject to electrical discharges. If this occurs, use the power switch to restart both devices.
- Working distance of Vibrasonic Walkie Talkies is up to approximately 100 feet / 30 meters, depending on environmental conditions and any obstructions. Outdoor usage suggested.
- Make sure your Vibrasonic Walkie Talkies have fresh batteries inside both units.



JAKKS PACIFIC (H.K.) LIMITED

EC Declaration of Conformity (#78441)

1. **Radion Equipment :78441KT**
2. **Name and address of the manufacturer:**
JAKKS Pacific Inc
2951 28 th Street, Santa Monica, CA, 90405 U.S.A.
3. **This declaration of conformity is issued under the sole responsibility of**
JAKKS Pacific(HK) Ltd
4. **Object of the declaration:**
Product Description:
COVERT OPS VIBRASONIC WALKIE TALKIE
5. **The object of the declaration described in 4 is in conformity with the relevant Community harmonization legislation listed below:**
2014/53/EU
6. **Relevant harmonized standards used are listed below:**
EN 300 440 V2.1.1 (2017-03)
Draft ETSI EN 301 489-1 V2.2.0 (2017-03)
Final Draft ETSI EN 301 489-3 V2.1.1 (2017-03)
EN 62479: 2010
EN 62115: 2005 + A2: 2011 + A11: 2012 + A12: 2015
7. **The notified body _Siemic Global Testing & Certifications(Notified Body # NB2200) performed Conformity Assessment_____ and issued the certificate with certificate #**
8. **Additional information:**
N/A

Product color and image:



For and on behalf of JAKKS Pacific (H.K.) Limited
 Place of issue: 12/F., Wharf T&T Centre, 7 Canton Road, Tsim Sha Tsui, Kowloon, Hong Kong.
 Date of issue: 06/06/2018

For and on behalf of
JAKKS PACIFIC (H.K.) LIMITED
 傑克仕太平洋(香港)有限公司



Authorized Signature(s)

Dick Au / Assistant Director, Product Integrity

Frequency Range: 2410-2473 MHz
 Maximum transmission power: -8.96dbm