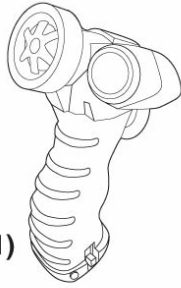
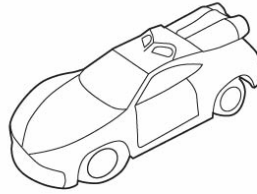


CONTENTS

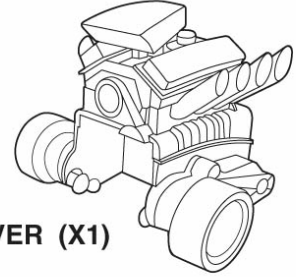
CONTROLLER (X1)



VEHICLE (X1)



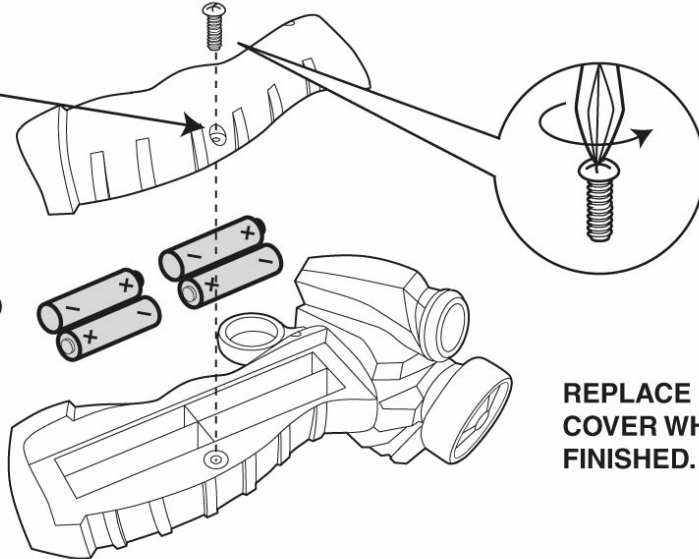
RECEIVER (X1)



BATTERY INSTALLATION

HAVE AN ADULT REMOVE BATTERY COVERS WITH SCREWDRIVER (NOT INCLUDED)

4- AAA (R-03) BATTERIES



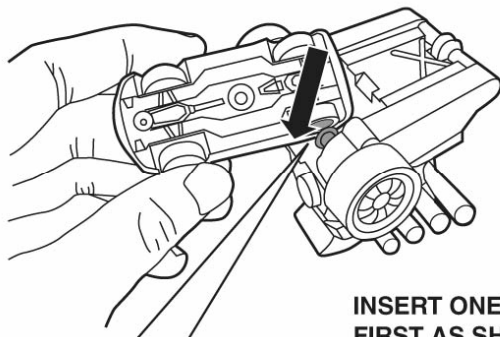
REPLACE BATTERY COVER WHEN FINISHED.

VEHICLE INSTALLATION

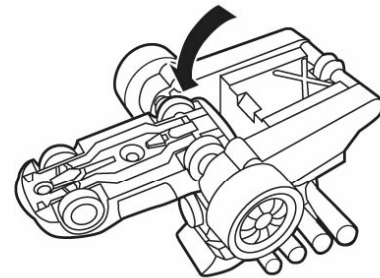
ALTHOUGH THE POWER BOOSTER™ RECEIVER IS DESIGNED TO FIT NUMEROUS 1:64 SCALE DIECAST VEHICLES, SOME VEHICLES MAY BE TOO LARGE TO FIT. IF VEHICLE DOES NOT FIT, DO NOT FORCE IT TO FIT AS THIS MAY CAUSE THE RECEIVER TO BREAK.

1. INSTALL VEHICLE BY LOCATING THE REAR WHEELS BETWEEN THE TWO SPRING LOADED PINS ON THE RECEIVER.

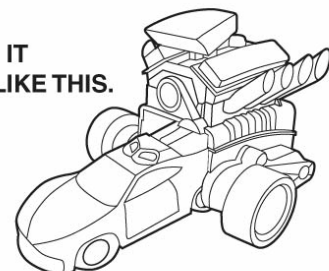
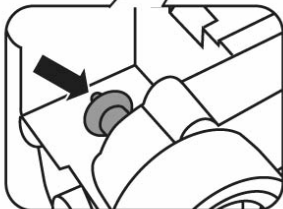
2. INSERT OTHER SIDE AS SHOWN.



INSERT ONE SIDE FIRST AS SHOWN.

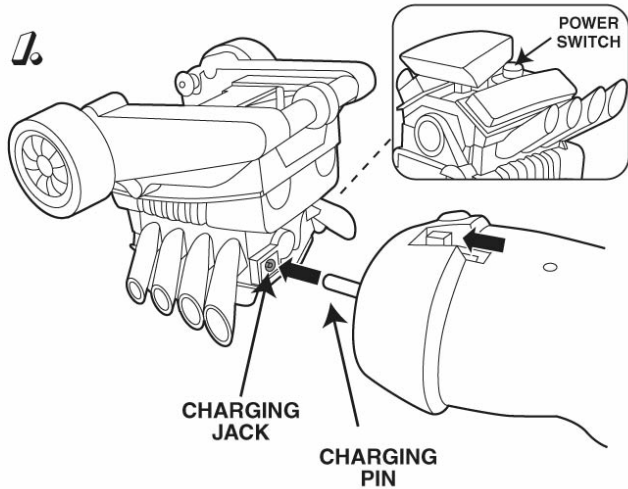


WHEN FINISHED IT SHOULD LOOK LIKE THIS.

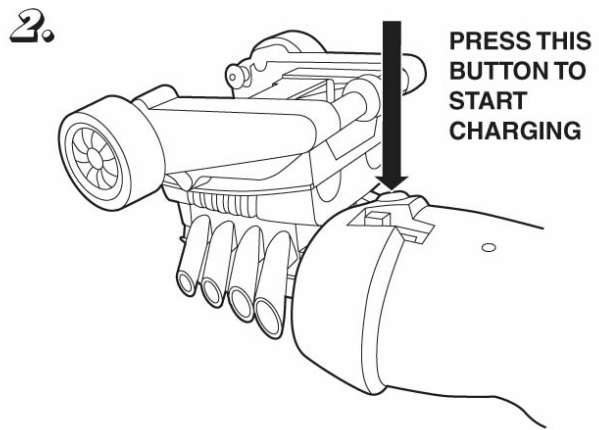


BE SURE PINS ARE CENTERED ON WHEELS. PINS ARE DESIGNED TO LOCATE IN MIDDLE OF WHEELS.

CHARGING RECEIVER



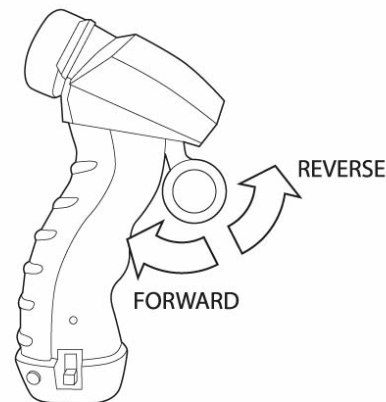
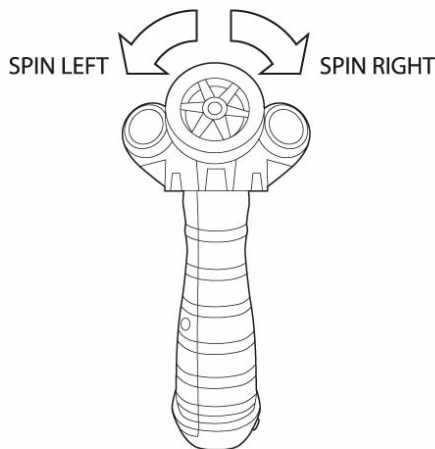
FIRST SLIDE CHARGING PIN OUT OF CONTROLLER AS SHOWN ABOVE. THEN INSERT PIN INTO CHARGING JACK AS SHOWN ABOVE. BE SURE CHARGING PIN IS FULLY INSERTED INTO CHARGING JACK.



PRESS BUTTON TO START CHARGING PROCESS. LED LIGHT WILL ILLUMINATE DURING CHARGING AND WILL SHUT OFF WHEN CHARGE IS COMPLETE. RELEASE CHARGING PIN FROM CHARGING JACK AFTERWARDS AND SLIDE CHARGING PIN BACK INSIDE CONTROLLER WHEN FINISHED.

OPERATION

THIS RC POWER BOOSTER™ UNIT IS POWERED BY TWO SEPARATE MOTORS WHICH ALLOWS PRECISE CONTROL DURING USE. USE CONTROLS AS SHOWN BELOW TO OPERATE VEHICLE.



COMBINE AND VARY THE CONTROLS FOR ADDITIONAL FUN!

This device complies with Part 15 of the FCC Rules. Operation is subject to the following two conditions : (1) this device may not cause harmful interference, and (2) this device must accept any interference received, including interference that may cause undesired operation.

Warning: Changes or modifications to this unit not expressly approved by the party responsible for compliance could void the user's authority to operate the equipment.

NOTE: This equipment has been tested and found to comply with the limits for a Class B digital device, pursuant to Part 15 of the FCC Rules. These limits are designed to provide reasonable protection against harmful interference in a residential installation. This equipment generates, uses and can radiate radio frequency energy and, if not installed and used in accordance with the instructions, may cause harmful interference to radio communications.

However, there is no guarantee that interference will not occur in a particular installation. If this equipment does cause harmful interference to radio or television reception, which can be determined by turning the equipment off and on, the user is encouraged to try to correct the interference by one or more of the following measures:

- Reorient or relocate the receiving antenna.
- Increase the separation between the equipment and receiver.
- Connect the equipment into an outlet on a circuit different from that to which the receiver is connected.
- Consult the dealer or an experienced radio/TV technician for help.

FOR BEST RESULTS:

1. Be aware of Radio frequencies. Avoid operating within range of another unit using the same frequency. Radio frequency is indicated on the Package and Controller.
2. Use fresh Alkaline Batteries. Do not mix old and new batteries. If malfunction occurs, replace Batteries.
3. Keep ON/OFF switch in "OFF" position when toy is not in use.
4. Remove Batteries when toy is not in use for extended periods of time.
5. Operate Controller within 45 feet of vehicle.
6. Keep contacts clean from rust and dust.
7. To prevent the vehicle from overheating, a protective circuit will disable the vehicle **MOMENTARILY** if any function is run continuously for a prolonged period of time.

BATTERY REQUIREMENTS



27.145 MHz TX Field strength 67.8 dBµv/m at 3m
 49.860 MHz. TX Field strength 71.0 dBµv/m at 3m
 This radio communication device complies with all the requirements of Industry Canada Standard RSS-310.

If you experience poor performance or limited reception, batteries may need to be changed.

Only adults should install and change the batteries.

- Never mix old and new batteries or different brands of batteries.
- Never mix alkaline, standard (carbon-zinc) and rechargeable (nickel-cadmium) batteries.
- Remove exhausted batteries from the toy.
- Never attempt to recharge non-chargeable batteries.
- Never use rechargeable batteries with this product.
- Do not dispose of batteries in fire. Batteries may leak and explode.
- Changes or modifications to this unit void the user's warranty and authority to operate equipment.

Recommended age: 5+

TM & © 2006 JAKKS Pacific, Inc., Malibu, CA 90265 U.S.A.

US & Int'l Pats Pending

All Rights Reserved

Printed in China.

Content may vary in style, color, shape and decoration from images shown. Questions or comments? www.jakksacific.com, consumers@jakks.net or 1-877-875-2557 in North America.