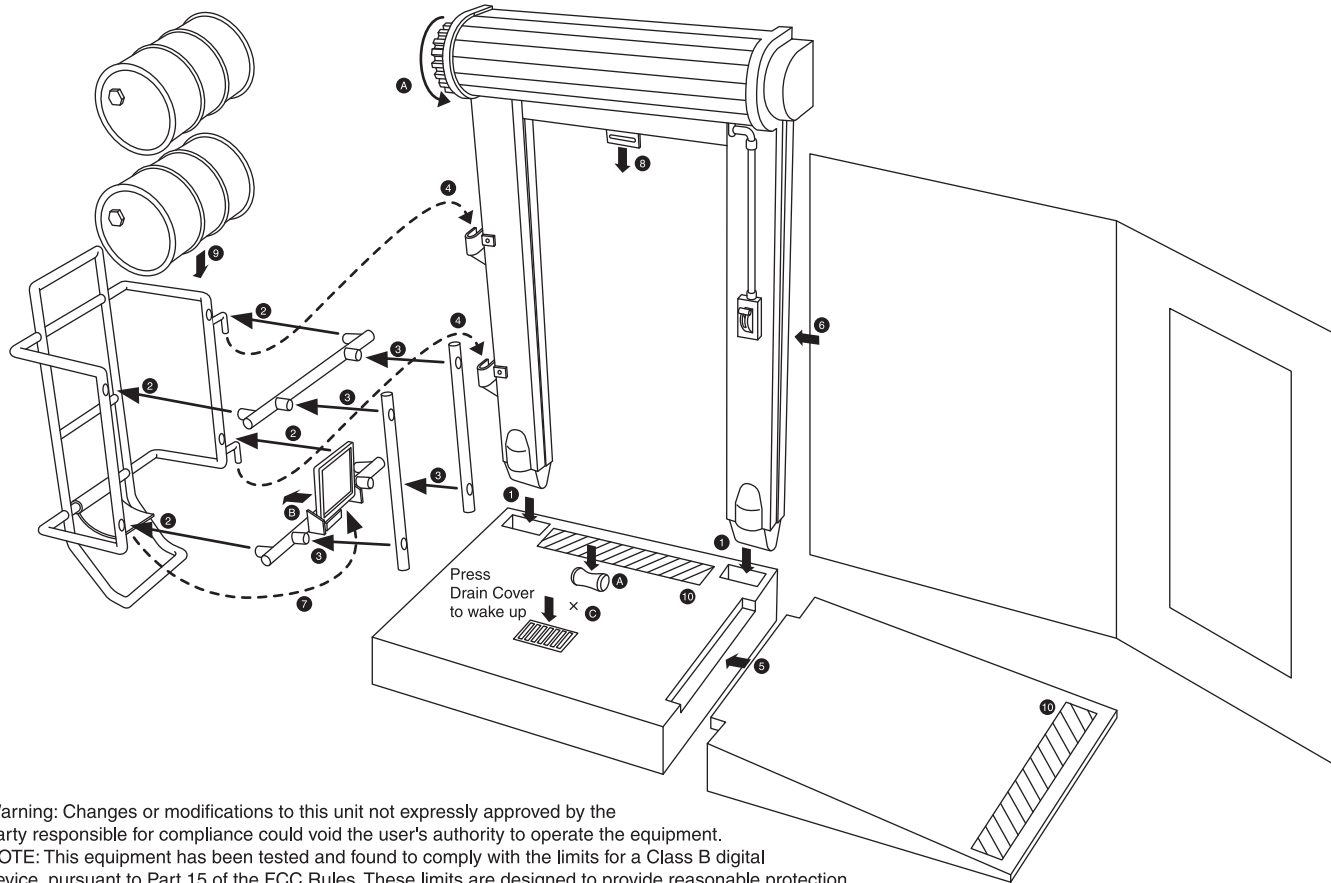


## DEMOLITION DOCK

### ASSEMBLY INSTRUCTION

1. Insert Roll Door Frame onto Loading Dock (see illustration 1)
2. Insert Horizontal Roll Bars onto Roll Cage (see illustration 2)
3. Insert Vertical Roll Bars onto Roll Cage (see illustration 3)
4. Insert Roll Cage onto Roll Door Frame hinges (see illustration 4). Roll Cage can be turned 90 degree away from position shown on picture.
5. Place Ramp Panel onto Loading Dock (see illustration 5)
6. Insert Wall Panel left end into Roll Doll Frame (see illustration 6)
7. Click Roll Barrel Supporting Plate onto Roll Cage Trigger (see illustration 7)
8. Pull Roll Door Down until Roll Door End Strip click into locating slot on Loading Dock (see illustration 8)
9. Insert Roll Barrels into Roll Cage (see illustration 9)
10. Apply labels onto Loading Dock & Ramp Panel (see illustration 10)



Warning: Changes or modifications to this unit not expressly approved by the party responsible for compliance could void the user's authority to operate the equipment.  
 NOTE: This equipment has been tested and found to comply with the limits for a Class B digital device, pursuant to Part 15 of the FCC Rules. These limits are designed to provide reasonable protection against harmful interference in a residential installation. This equipment generates, uses and can radiate radio frequency energy and, if not installed and used in accordance with the instruction, may cause harmful interference to radio communications.

However, there is no guarantee that interference will not occur in a particular installation. If this equipment does cause harmful interference to radio or television reception, which can be determined by turning the equipment off and on, the user is encouraged to try to correct the interference by one more of the following measures:

- Reorient or relocate the receiving antenna.
- Increase the separation between the equipment and receiver.
- Connect the equipment into an outlet on a circuit different from that to which the receiver is needed.
- Consult the dealer or an experienced radio/TV technician for help.

### TO PLAY WITH THE PLAYSET

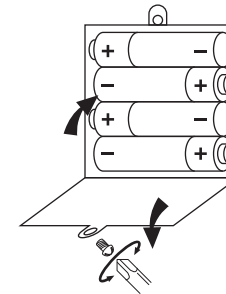
1. Press Soda Can button once to allow Roll Door fly up automatically. In the event Roll Door does not completely fly up, manually rotate Door Knob on Roll Door Frame upper left to make roll door complete fly up (see illustration A)
2. Press Roll Cage Trigger once to release Roll Barrels (see illustration B)
3. Make sure battery is inserted and ON/OFF switch is at "ON" position, press Drain Cover once to wake up playset. Hear that figure phrase when figure incorporating real reaction technology is placed onto Loading Dock "X" area (see illustration C)

### Remark:

1. Playset issue an alert sound after 25 seconds of inactivity, and go to sleep mode after 5 second of alert sound. If playset go to sleep, press Drain Cover to wake up playset again.
2. Figure incorporating real reaction technology sold separately.

### BATTERY REPLACEMENT INSTRUCTION

- Locate battery compartment
- Open "battery door", and insert 4 "AA" batteries.



DO NOT mix old and new batteries.  
 DO NOT mix alkaline, standard (carbon-zinc) or rechargeable (nickel-cadmium) batteries.  
 DO NOT DISPOSE OF BATTERIES IN FIRE; BATTERIES MAY EXPLODE OR LEAD.

- non-rechargeable batteries are not to be recharged;
- rechargeable batteries are to be removed from the toy before being charged;
- rechargeable batteries are only to be charged under adult supervision;
- only batteries of the same or equivalent type as recommend are to be used;
- batteries are to be inserted with the correct polarity;
- exhausted batteries are to be removed from the toy;
- the supply terminals are not to be short-circuited.