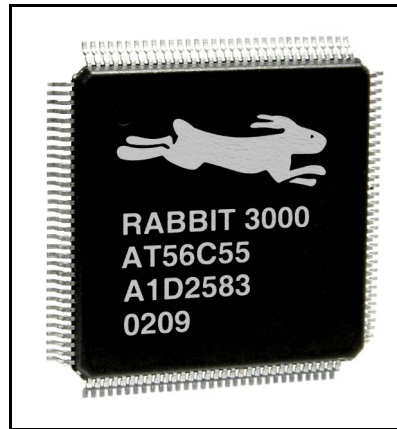


Distributed by:



www.Jameco.com ♦ 1-800-831-4242

The content and copyrights of the attached material are the property of its owner.



Rabbit 3000[®] Microprocessor

User's Manual

019-0108 • 040731-O

Rabbit 3000 Microprocessor User's Manual

Part Number 019-0108 • 040731-O • Printed in U.S.A.

©2002–2004 Rabbit Semiconductor • All rights reserved.

Rabbit Semiconductor reserves the right to make changes and improvements to its products without providing notice.

Trademarks

Rabbit and Rabbit 3000 are registered trademarks of Rabbit Semiconductor.

Dynamic C is a registered trademark of Z-World, Inc.

Rabbit Semiconductor

2932 Spafford Street
Davis, California 95616-6800
USA

Telephone: (530) 757-8400
Fax: (530) 757-8402

www.rabbitsemiconductor.com

TABLE OF CONTENTS

Chapter 1. Introduction	1
1.1 Features and Specifications Rabbit 3000.....	2
1.2 Summary of Rabbit 3000 Advantages	6
1.3 Differences Rabbit 3000 vs. Rabbit 2000.....	7
Chapter 2. Rabbit 3000 Design Features	9
2.1 The Rabbit 8-bit Processor vs. Other Processors.....	10
2.2 Overview of On-Chip Peripherals and Features	11
2.2.1 5 V Tolerant Inputs	11
2.2.2 Serial Ports	11
2.2.3 System Clock	12
2.2.4 32.768 kHz Oscillator Input	12
2.2.5 Parallel I/O	13
2.2.6 Slave Port	14
2.2.7 Auxiliary I/O Bus	15
2.2.8 Timers	15
2.2.9 Input Capture Channels	16
2.2.10 Quadrature Encoder Inputs	17
2.2.11 Pulse Width Modulation Outputs	17
2.2.12 Spread Spectrum Clock	18
2.2.13 Separate Core and I/O Power Pins	18
2.3 Design Standards	18
2.3.1 Programming Port	18
2.3.2 Standard BIOS	19
2.4 Dynamic C Support for the Rabbit	19
Chapter 3. Details on Rabbit Microprocessor Features	21
3.1 Processor Registers	21
3.2 Memory Mapping	23
3.2.1 Extended Code Space	26
3.2.2 Separate I and D Space - Extending Data Memory	27
3.2.3 Using the Stack Segment for Data Storage	29
3.2.4 Practical Memory Considerations	30
3.3 Instruction Set Outline	32
3.3.1 Load Immediate Data to a Register	33
3.3.2 Load or Store Data from or to a Constant Address	33
3.3.3 Load or Store Data Using an Index Register	34
3.3.4 Register-to-Register Move	35
3.3.5 Register Exchanges	35
3.3.6 Push and Pop Instructions	36
3.3.7 16-bit Arithmetic and Logical Ops	36
3.3.8 Input/Output Instructions	39
3.4 How to Do It in Assembly Language—Tips and Tricks	40
3.4.1 Zero HL in 4 Clocks	40
3.4.2 Exchanges Not Directly Implemented	40
3.4.3 Manipulation of Boolean Variables	40
3.4.4 Comparisons of Integers	41
3.4.5 Atomic Moves from Memory to I/O Space	43

3.5	Interrupt Structure	44
3.5.1	Interrupt Priority	44
3.5.2	Multiple External Interrupting Devices	46
3.5.3	Privileged Instructions, Critical Sections and Semaphores	46
3.5.4	Critical Sections	47
3.5.5	Semaphores Using Bit B,(HL)	47
3.5.6	Computed Long Calls and Jumps	48
Chapter 4.	Rabbit Capabilities	49
4.1	Precisely Timed Output Pulses	49
4.1.1	Pulse Width Modulation to Reduce Relay Power	50
4.2	Open-Drain Outputs Used for Key Scan.....	51
4.3	Cold Boot	52
4.4	The Slave Port.....	53
4.4.1	Slave Rabbit As A Protocol UART	54
Chapter 5.	Pin Assignments and Functions	55
5.1	LQFP Package.....	56
5.1.1	Pinout	56
5.1.2	Mechanical Dimensions and Land Pattern	57
5.2	Ball Grid Array Package	59
5.2.1	Pinout	59
5.2.2	Mechanical Dimensions and Land Pattern	60
5.3	Rabbit Pin Descriptions.....	62
5.4	Bus Timing.....	64
5.5	Description of Pins with Alternate Functions	65
5.6	DC Characteristics.....	68
5.7	I/O Buffer Sourcing and Sinking Limit.....	69
Chapter 6.	Rabbit Internal I/O Registers	71
6.1	Default Values for all the Peripheral Control Registers.....	73
Chapter 7.	Miscellaneous Functions	79
7.1	Processor Identification.....	79
7.2	Rabbit Oscillators and Clocks	80
7.3	Clock Doubler	83
7.4	Clock Spectrum Spreader.....	86
7.5	Chip Select Options for Low Power	87
7.6	Output Pins CLK, STATUS, /WDTOUT, /BUFEN	90
7.7	Time/Date Clock (Real-Time Clock).....	91
7.8	Watchdog Timer.....	93
7.9	System Reset	95
7.10	Rabbit Interrupt Structure.....	97
7.10.1	External Interrupts	99
7.10.2	Interrupt Vectors: INT0 - EIR,0x00/INT1 - EIR,0x08	100
7.11	Bootstrap Operation	101
7.12	Pulse Width Modulator	103
7.13	Input Capture.....	105
7.14	Quadrature Decoder	110
Chapter 8.	Memory Interface and Mapping	115
8.1	Interface for Static Memory Chips.....	115
8.2	Memory Mapping Overview	117
8.3	Memory-Mapping Unit	117
8.4	Memory Interface Unit.....	119

8.5 Memory Bank Control Registers	120
8.5.1 Optional A16, A19 Inversions by Segment (/CS1 Enable)	121
8.6 Allocation of Extended Code and Data	123
8.7 Instruction and Data Space Support.....	124
8.8 How the Compiler Compiles to Memory	127
Chapter 9. Parallel Ports	129
9.1 Parallel Port A.....	130
9.2 Parallel Port B	131
9.3 Parallel Port C	132
9.4 Parallel Port D.....	133
9.5 Parallel Port E	137
9.6 Parallel Port F	140
9.6.1 Using Parallel Port A and Parallel Port F	141
9.7 Parallel Port G.....	143
Chapter 10. I/O Bank Control Registers	145
Chapter 11. Timers	149
11.1 Timer A.....	150
11.1.1 Timer A I/O Registers	151
11.1.2 Practical Use of Timer A	155
11.2 Timer B.....	156
11.2.1 Using Timer B	159
Chapter 12. Rabbit Serial Ports	161
12.1 Serial Port Register Layout.....	164
12.2 Serial Port Registers.....	166
12.3 Serial Port Interrupt	179
12.4 Transmit Serial Data Timing	180
12.5 Receive Serial Data Timing.....	181
12.6 Clocked Serial Ports.....	182
12.7 Clocked Serial Timing	185
12.7.1 Clocked Serial Timing With Internal Clock	185
12.7.2 Clocked Serial Timing with External Clock	185
12.8 Synchronous Communications on Ports E and F.....	187
12.9 Serial Port Software Suggestions.....	192
12.9.1 Controlling an RS-485 Driver and Receiver	193
12.9.2 Transmitting Dummy Characters	193
12.9.3 Transmitting and Detecting a Break	194
12.9.4 Using A Serial Port to Generate a Periodic Interrupt	194
12.9.5 Extra Stop Bits, Sending Parity, 9th Bit Communication Schemes	194
12.9.6 Parity, Extra Stop Bits with 7-Data-Bit Characters	195
12.9.7 Parity, Extra Stop Bits with 8-Data-Bit Characters	195
12.9.8 Supporting 9th Bit Communication Protocols	196
12.9.9 Rabbit-Only Master/Slave Protocol	196
12.9.10 Data Framing/Modbus	196
Chapter 13. Rabbit Slave Port	199
13.1 Hardware Design of Slave Port Interconnection	204
13.2 Slave Port Registers	204
13.3 Applications and Communications Protocols for Slaves.....	206
13.3.1 Slave Applications	206
13.3.2 Master-Slave Messaging Protocol	207

Chapter 14. Rabbit 3000 Clocks	209
14.1 Low-Power Design.....	210
Chapter 15. EMI Control	211
15.1 Power Supply Connections and Board Layout	212
15.2 Using the Clock Spectrum Spreader	212
Chapter 16. AC Timing Specifications	215
16.1 Memory Access Time	215
16.2 I/O Access Time.....	223
16.3 Further Discussion of Bus and Clock Timing.....	225
16.4 Maximum Clock Speeds	227
16.5 Power and Current Consumption	229
16.6 Current Consumption Mechanisms.....	232
16.7 Sleepy Mode Current Consumption.....	233
16.8 Memory Current Consumption	234
16.9 Battery-Backed Clock Current Consumption	235
16.10 Reduced-Power External Main Oscillator.....	236
Chapter 17. Rabbit BIOS and Virtual Driver	237
17.1 The BIOS.....	237
17.1.1 BIOS Services	237
17.1.2 BIOS Assumptions	238
17.2 Virtual Driver	238
17.2.1 Periodic Interrupt	238
17.2.2 Watchdog Timer Support	238
Chapter 18. Other Rabbit Software	241
18.1 Power Management Support	241
18.2 Reading and Writing I/O Registers	242
18.2.1 Using Assembly Language	242
18.2.2 Using Library Functions	242
18.3 Shadow Registers.....	243
18.3.1 Updating Shadow Registers	243
18.3.2 Interrupt While Updating Registers	243
18.3.3 Write-only Registers Without Shadow Registers	244
18.4 Timer and Clock Usage.....	244
Chapter 19. Rabbit Instructions	247
19.1 Load Immediate Data	250
19.2 Load & Store to Immediate Address.....	250
19.3 8-bit Indexed Load and Store	250
19.4 16-bit Indexed Loads and Stores.....	250
19.5 16-bit Load and Store 20-bit Address	251
19.6 Register to Register Moves	251
19.7 Exchange Instructions	252
19.8 Stack Manipulation Instructions.....	252
19.9 16-bit Arithmetic and Logical Ops.....	252
19.10 8-bit Arithmetic and Logical Ops.....	253
19.11 8-bit Bit Set, Reset and Test.....	254
19.12 8-bit Increment and Decrement.....	254
19.13 8-bit Fast A Register Operations	255
19.14 8-bit Shifts and Rotates	255
19.15 Instruction Prefixes	256

19.16	Block Move Instructions	256
19.17	Control Instructions - Jumps and Calls	257
19.18	Miscellaneous Instructions	257
19.19	Privileged Instructions	258
Chapter 20. Differences Rabbit vs. Z80/Z180 Instructions		259
Chapter 21. Instructions in Alphabetical Order With Binary Encoding		261
Appendix A. The Rabbit Programming Port		269
A.1	Use of the Programming Port as a Diagnostic/Setup Port	270
A.2	Alternate Programming Port	270
A.3	Suggested Rabbit Crystal Frequencies.....	271
Appendix B. Rabbit 3000 Revisions		273
B.1	Discussion of Fixes and Improvements	276
B.1.1	Rabbit Internal I/O Registers	277
B.1.2	Peripheral and ISR Address	280
B.1.3	Revision-Level ID Register	282
B.1.4	System/User Mode	283
B.1.5	Memory Protection	284
B.1.6	Stack Protection	289
B.1.7	RAM Segment Relocation	291
B.1.8	Secondary Watchdog Timer	292
B.1.9	New Opcodes	293
B.1.10	Expanded I/O Memory Addressing	295
B.1.11	External I/O Improvements	296
B.1.12	Short Chip Select Timing for Writes	297
B.1.13	Pulse Width Modulator Improvements	311
B.1.14	Quadrature Decoder Improvements	314
B.2	Pins with Alternate Functions	316
Appendix C. System/User Mode		317
C.1	System/User Mode Opcodes	318
C.2	System/User Mode Registers	319
C.3	Interrupts	321
C.3.1	Peripheral Interrupt Prioritization	322
C.4	Using the System/User Mode.....	324
C.4.1	Memory Protection Only	324
C.4.2	Mixed System/User Mode Operation	325
C.4.3	Complete Operating System	326
Appendix D. Rabbit 3000A Internal I/O Registers		327
Notice to Users		335
Index		337



1. INTRODUCTION

Rabbit Semiconductor was formed expressly to design a better microprocessor for use in small and medium-scale controllers. The first microprocessor was the *Rabbit 2000*. The second microprocessor, now available, is the *Rabbit 3000*. Rabbit microprocessor designers have had years of experience using Z80, Z180, and HD64180 microprocessors in small controllers. The Rabbit shares a similar architecture and a high degree of compatibility with these microprocessors, but it is a vast improvement.

The Rabbit 3000 has been designed in close cooperation with Z-World, Inc., a long-time manufacturer of low-cost single-board computers. Z-World's products are supported by an innovative C-language development system (Dynamic C). Z-World is providing the software development tools for the Rabbit 3000.

The Rabbit 3000 is easy to use. Hardware and software interfaces are as uncluttered and are as foolproof as possible. The Rabbit has outstanding computation speed for a microprocessor with an 8-bit bus. This is because the Z80-derived instruction set is very compact, and the timing of the memory interface allows higher clock speeds for a given memory speed.

Microprocessor hardware and software development is easy for Rabbit users. In-circuit emulators are not needed and will not be missed by the Rabbit developer. Software development is accomplished by connecting a simple interface cable from a PC serial port to the Rabbit-based target system or by performing software development and debugging over a network or the Internet using interfaces and tools provided by Rabbit Semiconductor.

1.1 Features and Specifications Rabbit 3000

- 128-pin LQFP package. Operating voltage 1.8 V to 3.6 V. Clock speed to 54+ MHz. All specifications are given for both industrial and commercial temperature and voltage ranges. Rabbit microprocessors are low-cost.
- Industrial specifications are for 3.3 V \pm 10% and a temperature range from -40°C to +85°C. Modified commercial specifications are for a voltage variation of 5% and a temperature range from -40°C to 70°C.
- 1-megabyte code-data space allows C programs with 50,000+ lines of code. The extended Z80-style instruction set is C-friendly, with short and fast opcodes for the most important C operations.
- Four levels of interrupt priority make a fast interrupt response practical for critical applications. The maximum time to the first instruction of an interrupt routine is about 0.5 μ s at a clock speed of 50 MHz.
- Access to I/O devices is accomplished by using memory access instructions with an I/O prefix. Access to I/O devices is thus faster and easier compared to processors with a distinct and narrow I/O instruction set. As an option the auxiliary I/O bus can be enabled to use separate pins for address and data, allowing the I/O bus to have a greater physical extent with less EMI and less conflict with the requirements of the fast memory bus.(Further described below.)
- Hardware design is simple. Up to six static memory chips (such as RAM and flash memory) connect directly to the microprocessor with no glue logic. A memory-access time of 55 ns suffices to support up to a 30 MHz clock with no wait states; with a 30 ns memory-access time, a clock speed of up to 50 MHz is possible with no wait states. Most I/O devices may be connected without glue logic.

The memory read cycle is two clocks long. The write cycle is 3 clocks long. A clean memory and I/O cycle completely avoid the possibility of bus fights. Peripheral I/O devices can usually be interfaced in a glueless fashion using the common /IORD and /IOWR strobes in addition to the user-configurable IO strobes on Parallel Port E. The Parallel Port E pins can be configured as I/O read, write, read/write, or chip select when they are used as I/O strobes.

- EMI reduction features reduce EMI levels by as much as 25 dB compared to other similar microprocessors. Separate power pins for the on-chip I/O buffers prevent high-frequency noise generated in the processor core from propagating to the signal output pins. A built-in clock spectrum spreader reduces electromagnetic interference and facilitates passing EMI tests to prove compliance with government regulatory requirements. As a consequence, the designer of a Rabbit-3000-based system can be assured of passing FCC or CE EMI tests as long as minimal design precautions are followed.
- The Rabbit may be cold-booted via a serial port or the parallel access slave port. This means that flash program memory may be soldered in unprogrammed, and can be reprogrammed at any time without any assumption of an existing program or BIOS.

A Rabbit that is slaved to a master processor can operate entirely with volatile RAM, depending on the master for a cold program boot.

- There are 56 parallel I/O lines (shared with serial ports). Some I/O lines are timer synchronized, which permits precisely timed edges and pulses to be generated under combined hardware and software control. Pulse-width modulation outputs are implemented in addition to the timer-synchronization feature (see below).
- Four pulse width modulated (PWM) outputs are implemented by special hardware. The repetition frequency and the duty cycle can be varied over a wide range. The resolution of the duty cycle is 1 part in 1024.
- There are six serial ports. All six serial ports can operate asynchronously in a variety of commonly used operating modes. Four of the six ports (designated A, B, C, D) support clocked serial communications suitable for interfacing with “SPI” devices and various similar devices such as A/D converters and memories that use a clocked serial protocol. Two of the ports, E and F, support HDLC/SDLC synchronous communication. These ports have a 4-byte FIFO and can operate at a high data rate. Ports E and F also have a digital phase-locked loop for clock recovery, and support popular data-encoding methods. High data rates are supported by all six serial ports. The asynchronous ports also support the 9th bit network scheme as well as infrared transmission using the IRDA protocol. The IRDA protocol is also supported in SDLC format by the two ports that support SDLC.
- A slave port allows the Rabbit to be used as an intelligent peripheral device slaved to a master processor. The 8-bit slave port has six 8-bit registers, 3 for each direction of communication. Independent strobes and interrupts are used to control the slave port in both directions. Only a Rabbit and a RAM chip are needed to construct a complete slave system, if the clock and reset control are shared with the master processor
- There is an option to enable an auxiliary I/O bus that is separate from the memory bus. The auxiliary I/O bus toggles only on I/O instructions. It reduces EMI and speeds the operation of the memory bus, which only has to connect to memory chips when the auxiliary I/O bus is used to connect I/O devices. This important feature makes memory design easy and allows a more relaxed approach to interfacing I/O devices.
- The built-in battery-backable time/date clock uses an external 32.768 kHz crystal oscillator. The suggested model circuit for the external oscillator utilizes a single “tiny logic” active component. The time/date clock can be used to provide periodic interrupts every 488 μ s. Typical battery current consumption is about 3 μ A.
- Numerous timers and counters can be used to generate interrupts, baud rate clocks, and timing for pulse generation.
- Two input-capture channels can be used to measure the width of pulses or to record the times at which a series of events take place. Each capture channel has a 16-bit counter and can take input from one or two pins selected from any of 16 pins.
- Two quadrature decoder units accept input from incremental optical shaft encoders. These units can be used to track the motion of a rotating shaft or similar device.

- A built-in clock doubler allows ½-frequency crystals to be used.
- The built-in main clock oscillator uses an external crystal or a ceramic resonator. Typical crystal or resonator frequencies are in the range of 1.8 MHz to 30 MHz. Since precision timing is available from the separate 32.768 kHz oscillator, a low-cost ceramic resonator with ½ percent error is generally satisfactory. The clock can be doubled or divided down to modify speed and power dynamically. The I/O clock, which clocks the serial ports, is divided separately so as not to affect baud rates and timers when the processor clock is divided or multiplied. For ultra low power operation, the processor clock can be driven from the separate 32.768 kHz oscillator and the main oscillator can be powered down. This allows the processor to operate at approximately between 20 and 100 μA and still execute instructions at the rate of up to 10,000 instructions per second. The 32.768 kHz clock can also be divided by 2, 4, 8 or 16 to reduce power. This “sleepy mode” is a powerful alternative to sleep modes of operation used by other processors.
- Processor current requirement is approximately 65 mA at 30 MHz and 3.3 V. The current is proportional to voltage and clock speed—at 1.8 V and 3.84 MHz the current would be about 5 mA, and at 1 MHz the current is reduced to about 1 mA.
- To allow extreme low power operation there are options to reduce the duty cycle of memories when running at low clock speeds by only enabling the chip select for a brief period, long enough to complete a read. This greatly reduces the power used by flash memory when operating at low clock speeds.
- The excellent floating-point performance is due to a tightly coded library and powerful processing capability. For example, a 50 MHz clock takes 7 μs for a floating add, 7 μs for a multiply, and 20 μs for a square root. In comparison, a 386EX processor running with an 8-bit bus at 25 MHz and using Borland C is about 20 times slower.
- There is a built-in watchdog timer.
- The standard 10-pin programming port eliminates the need for in-circuit emulators. A very simple 10-pin connector can be used to download and debug software using Z-World’s Dynamic C and a simple connection to a PC serial port. The incremental cost of the programming port is extremely small.

Figure 1-1 shows a block diagram of the Rabbit.

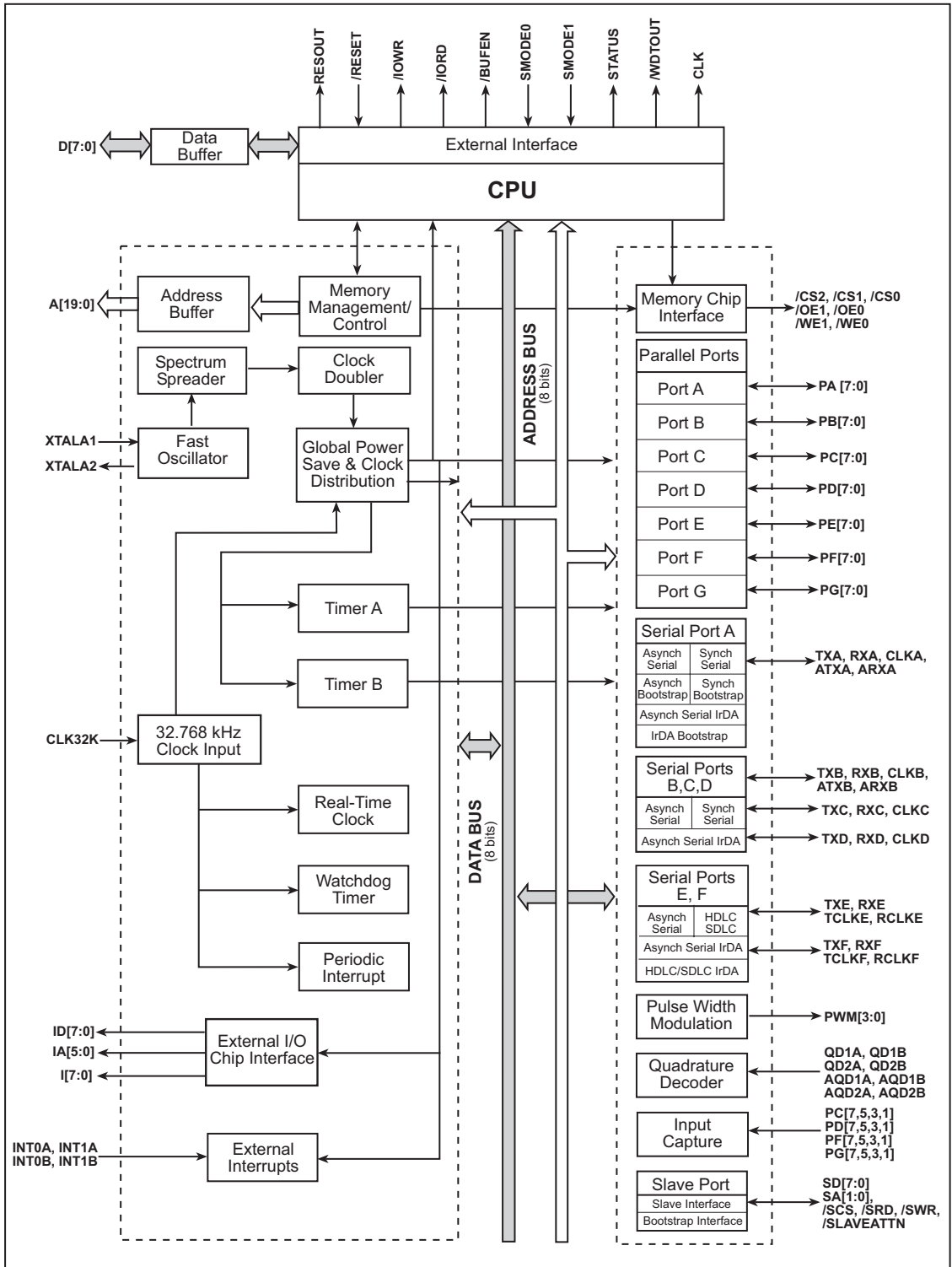


Figure 1-1. Rabbit 3000 Block Diagram

1.2 Summary of Rabbit 3000 Advantages

- The glueless architecture makes it is easy to design the hardware system.
- There are a lot of serial ports and they can communicate very fast.
- Precision pulse and edge generation is a standard feature.
- EMI is at extremely low levels.
- Interrupts can have multiple priorities.
- Processor speed and power consumption are under program control.
- The ultra low power mode can perform computations and execute logical tests since the processor continues to execute, albeit at 32 kHz or even as slow as 2 kHz.
- The Rabbit may be used to create an intelligent peripheral or a slave processor. For example, protocol stacks can be off loaded to a Rabbit slave. The master can be any processor.
- The Rabbit can be cold-booted so unprogrammed flash memory can be soldered in place.
- You can write serious software, be it 1,000 or 50,000 lines of C code. The tools are there and they are low in cost.
- If you know the Z80 or Z180, you know most of the Rabbit.
- A simple 10-pin programming interface replaces in-circuit emulators and PROM programmers.
- The battery-backable time/date clock is included.
- The standard Rabbit chip is made to industrial temperature and voltage specifications.
- The Rabbit 3000 is backed by extensive software development tools and libraries, especially in the area of networking and embedded Internet.

1.3 Differences Rabbit 3000 vs. Rabbit 2000

For the benefit of readers who are familiar with the Rabbit 2000 microprocessor the Rabbit 3000 is contrasted with the Rabbit 2000 in the table below.

Feature	Rabbit 3000	Rabbit 2000
Maximum clock speed	54 MHz	30 MHz
Maximum crystal frequency main oscillator (may be doubled internally)	30 MHz	32 MHz
32.768 kHz crystal oscillator	External	Internal
Maximum operating voltage	3.6 V	5.5 V
Maximum I/O input voltage	5.5 V	5.5 V
Current consumption	2 mA/MHz @ 3.3 V	4 mA/MHz @5 V
Number of package pins	128	100
Size of package	16 × 16 × 1.5 mm LQFP 10 × 10 × 1.2 mm TFBGA	24 × 18 × 3 mm PQFP
Spacing between package pins	0.4 mm (16 mils) LQFP 0.8 mm TFBGA	0.65 mm (26 mils) PQFP
Separate power and ground for I/O buffers (EMI reduction)	Yes	No
Clock Spectrum Spreader (EMI reduction)	Yes	Rabbit 2000B and Rabbit 2000C versions.
Clock Modes	1x, 2x, /2, /3, /4, /6, /8	1x, 2x, /4, /8
Power Down Modes	Sleepy (32 kHz) Ultra-Sleepy (16, 8, 2 kHz)	Sleepy (32 kHz)
Low Power Memory Control (Chip Select)	Short CS (CLK /4 /6 /8) Self Timed (32,16,8,2 kHz)	None
Extended memory timing for high freq. operation	Yes	No
Number of 8-bit I/O ports	7	5
Auxiliary I/O Data/Address bus	Yes	None
Number of serial ports	6	4
Serial ports capable of SPI/clocked serial	4 (A, B, C, D)	2 (A, B)
Serial ports capable of SDLC/HDLC	2 (E, F)	None
Asynch serial ports with support for IrDA communications	6	None

Feature	Rabbit 3000	Rabbit 2000
Serial ports with support for SDLC/HDLC IrDA communications	2	None
Maximum asynchronous baud rate	clock speed/8	clock speed/32
Input capture unit	2	None

2. RABBIT 3000 DESIGN FEATURES

The Rabbit 3000 is an evolutionary design. The processor and instruction set are nearly identical to the immediate predecessor processor, the Rabbit 2000. Both the Rabbit 3000 and the Rabbit 2000 follow in broad outline the instruction set and the register layout of the Z80 and Z180. Compared to the Z180 the instruction set has been augmented by a substantial number of new instructions. Some obsolete or redundant Z180 instructions have been dropped to make available efficient 1-byte opcodes for important new instructions. (see Chapter 20, “Differences Rabbit vs. Z80/Z180 Instructions,”.) The advantage of this evolutionary approach is that users familiar with the Z80 or Z180 can immediately understand Rabbit assembly language. Existing Z80 or Z180 source code can be assembled or compiled for the Rabbit with minimal changes.

Changing technology has made some features of the Z80/Z180 family obsolete, and these features have been dropped in the Rabbit. For example, the Rabbit has no special support for dynamic RAM but it has extensive support for static memory. This is because the price of static memory has decreased to the point that it has become the preferred choice for medium-scale embedded systems. The Rabbit has no support for DMA (direct memory access) because most of the uses for which DMA is traditionally used do not apply to embedded systems, or they can be accomplished better in other ways, such as fast interrupt routines, external state machines or slave processors.

Our experience in writing C compilers has revealed the shortcomings of the Z80 instruction set for executing the C language. The main problem is the lack of instructions for handling 16-bit words and for accessing data at a computed address, especially when the stack contains that data. New instructions correct these problems.

Another problem with many 8-bit processors is their slow execution and a lack of number-crunching ability. Good floating-point arithmetic is an important productivity feature in smaller systems. It is easy to solve many programming problems if an adequate floating-point capability is available. The Rabbit’s improved instruction set provides fast floating-point and fast integer math capabilities.

The Rabbit supports four levels of interrupt priorities. This is an important feature that allows the effective use of fast interrupt routines for real-time tasks.

2.1 The Rabbit 8-bit Processor vs. Other Processors

The Rabbit 3000 processor has been designed with the objective of creating practical systems to solve real world problems in an economical fashion. A cursory comparison of the Rabbit 3000 compared to other processors with similar capabilities may miss certain Rabbit strong points.

- The Rabbit is a processor that can be used to build a system in which EMI is nearly absent, even at clock frequencies in excess of 40 MHz. This is due to the split power supply, the clock doubler, the clock spectrum spreader and the PC board layout advice (or processor core modules) that we provide. Low EMI is a huge timesaver for the designer pressed to meet schedules and pass government EMI tests of the final product.
- Execution speed with the Rabbit is usually a pleasant surprise compared to other processors. This is due to the well-chosen and compact instruction set partnered with an excellent compiler and library. We have many benchmarks, comparing the Rabbit to 186, 386, 8051, Z180 and ez80 families of processors that prove the point.
- The Rabbit memory bus is an exceptionally efficient and very clean design. No external logic is required to support static memory chips. Battery-backed external memory is supported by built-in functionality. During reduced-power slow-clock operation the memory duty cycle can be correspondingly reduced using built-in hardware, resulting in low power consumption by the memories.

The Rabbit external bus uses 2 clocks for read cycles and 3 clocks for write cycles. This has many advantages compared to a single-clock design, and on closer examination the advantages of the single-clock system turn out to be mostly chimerical. The advantages include: easy design to avoid bus fights, clean write cycles with solid data and address hold times, flexibility to have memory output enable access times greater than $\frac{1}{2}$ of the bus cycle, and the ability to use an asymmetric clock generated by a clock doubler. The supposed advantage that single-clock systems have of double-speed bus operation is not possible with real-world memories unless the memory is backed with fast-cache RAM.

- The Rabbit 3000 operates at 3.6 V or less, but it has 5 V tolerant inputs and has a second complete bus for I/O operations that is separate from the memory bus. This second auxiliary bus can be enabled by the application as a designer option. These features make it easy to design systems that mix 3 V and 5 V components, and avoid the loading problems and the EMI problems that result if the memory bus is extended to connect with many I/O devices.
- The Rabbit may be remotely programmed, including complete cold-boot, via a serial link, Ethernet, or even via a network or the Internet using built-in capabilities and/or the RabbitLink ethernet network accessory device. These capabilities proven and inexpensive to implement.
- The Rabbit 3000 on-chip peripheral complement is huge compared to competitive processors.

The Rabbit is an 8-bit processor with an 8-bit external data bus and an 8-bit internal data bus. Because the Rabbit makes the most of its external 8-bit bus and because it has a compact instruction set, its performance is as good as many 16-bit processors.

We hesitate to compare the Rabbit to 32-bit processors, but there are undoubtedly occasions where the user can use a Rabbit instead of a 32-bit processor and save a vast amount of money. Many Rabbit instructions are 1 byte long. In contrast, the minimum instruction length on most 32-bit RISC processors is 32 bits.

2.2 Overview of On-Chip Peripherals and Features

The on-chip peripherals were chosen based on our experience as to what types of peripheral devices are most useful in small embedded systems. The major on-chip peripherals are the serial ports, system clock, time/date oscillator, parallel I/O, slave port, motion encoders, pulse width modulators, pulse measurement, and timers. These and other features are described below.

2.2.1 5 V Tolerant Inputs

The Rabbit 3000 operates on a voltage in the range of 1.8 V to 3.6 V, but most Rabbit 3000 input pins are 5 V tolerant. The exceptions are the power supply pins, and the oscillator buffer pins. When a 5 V signal is applied to 5 V tolerant pins, they present a high impedance even if the Rabbit power is off. The 5 V tolerant feature allows 5 V devices that have a suitable switching threshold to be directly connected to the Rabbit. This includes HCT family parts operated at 5 V that have an input threshold between 0.8 and 2 V.

NOTE: CMOS devices operated at 5 V that have a threshold at 2.5 V are not suitable for direct connection because the Rabbit outputs do not rise above VDD, which cannot exceed 3.6 V, and is often specified as 3.3 V. Although a CMOS input with a 2.5 V threshold may switch at 3.3 V, it will consume excessive current and switch slowly.

In order to translate between 5 V and 3.3 V, HCT family parts powered from 5 V can be used, and are often the best solution. There is also the “LVT” family of parts that operate from 2.0 V to 3.3 V, but that have 5 V tolerant inputs and are available from many suppliers. True level-translating parts are available with separate 3.3 V and 5 V supply pins, but these parts are not usually needed, and have design traps involving power sequencing. Many charge pump chips that perform DC to DC voltage conversion at low cost have been introduced in recent years. These are convenient for systems with dual voltage requirements.

2.2.2 Serial Ports

There are six serial ports designated ports A, B, C, D, E, and F. All six serial ports can operate in an asynchronous mode up to a baud rate equal to the system clock divided by 8. The asynchronous ports use 7-bit or 8-bit data formats, with or without parity. A 9th bit address scheme, where an additional bit is set or cleared to mark the first byte of a message, is also supported.

The serial port software driver can tell when the last byte of a message has finished transmitting from the output shift register - correcting an important defect of the Z180. This is

important for RS-485 communication because a half duplex line driver cannot have the direction of transmission reversed until the last data bit has been sent. In many UARTs, including those on the Z180, it is difficult to generate an interrupt after the last bit is sent. A so called address bit can be transmitted as either high or low after the last data bit. The address bit, if used, is followed by a high stop bit. This facility can be used to transmit 2 stop bits or a parity bit if desired. The ability to directly transmit a high voltage level address bit was not included in the original revision of the Rabbit 2000 processor.

Serial ports A, B, C and D can be operated in the clocked serial mode. In this mode, a clock line synchronously clocks the data in or out. Either the Rabbit serial port or the remote device can supply the clock. When the Rabbit provides the clock, the baud rate can be up to 1/2 of the system clock frequency. When the clock is provided by another device the maximum data rate is system clock divided by 6 due to the need to synchronize the externally supplied clock with the internal clock. The clocked serial mode may be used to support “SPI” bus devices.

Serial Port A has special features. It can be used to cold-boot the system after reset. Serial Port A is the normal port that is used for software development under Dynamic C.

All the serial ports have a special timing mode that supports infrared data communications standards.

2.2.3 System Clock

The main oscillator uses an external crystal with a frequency typically in the range from 1.8 MHz to 26 MHz. The processor clock is derived from the oscillator output by either doubling the frequency, using the frequency directly, or dividing the frequency by 2, 4, 6 or by 8. The processor clock can also be driven by the 32.768 kHz real-time clock oscillator for very low power operation, in which case the main oscillator can be shut down under software control.

2.2.4 32.768 kHz Oscillator Input

The 32.768 kHz oscillator input is designed to accept a 32.768 kHz clock. A suggested low-power clock circuit using “tiny logic” parts is documented and low in cost. The 32.768 kHz clock is used to drive a battery-backable (there is a separate power pin) internal 48-bit counter that serves as a real-time clock (RTC). The counter can be set and read by software and is intended for keeping the date and time. There are enough bits to keep the date for more than 100 years. The 32.768 kHz oscillator input is also used to drive the watchdog timer and to generate the baud clock for Serial Port A during the cold-boot sequence.

2.2.5 Parallel I/O

There are 56 parallel input/output lines divided among seven 8-bit ports designated A through G. Most of the port lines have alternate functions, such as serial data or chip select strobes. Parallel Ports D, E, F, and G have the capability of timer-synchronized outputs. The output registers are cascaded as shown in Figure 2-1.

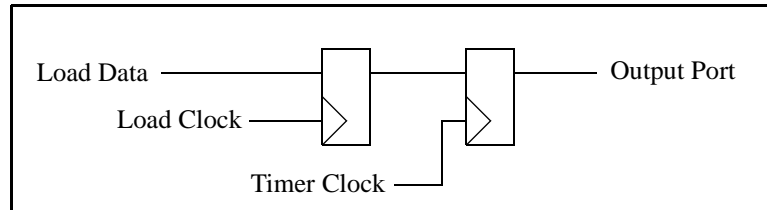


Figure 2-1. Cascaded Output Registers for Parallel Ports D and E

Stores to the port are loaded in the first-level register. That register in turn is transferred to the output register on a selected timer clock. The clock can be selected to be the output of Timer A1, B1, B2 or the peripheral clock (divided by 2?). The timer signal can also cause an interrupt that can be used to set up the next bit to be output on the next timer pulse. This feature can be used to generate precisely controlled pulses whose edges are positioned with high accuracy in time. Applications include communications signaling, pulse width modulation and driving stepper motors. (A separate pulse width modulation facility is also included in the Rabbit 3000.)

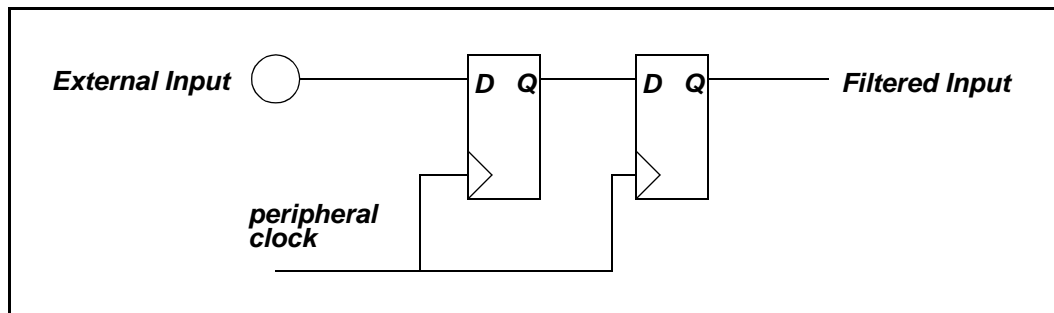


Figure 2-2. Digital Filtering Input Pins

Input pins to the parallel ports are filtered by cascaded D flip flops as shown in Figure 2-2. This prevents pulses shorter than the peripheral clock from being recognized, synchronizes external pulses to the internal clock, and avoids problems with meta stability (temporarily indeterminate logical conditions due to marginal set up time with respect to the clock).

2.2.6 Slave Port

The slave port is designed to allow the Rabbit to be a slave to another processor, which could be another Rabbit. The port is shared with Parallel Port A and is a bidirectional data port. The master can read any of three registers selected via two select lines that form the register address and a read strobe that causes the register contents to be output by the port. These same registers can be written as I/O registers by the Rabbit slave. Three additional registers transmit data in the opposite direction. They are written by the master by means of the two select lines and a write strobe.

Figure 2-3 shows the data paths in the slave port.

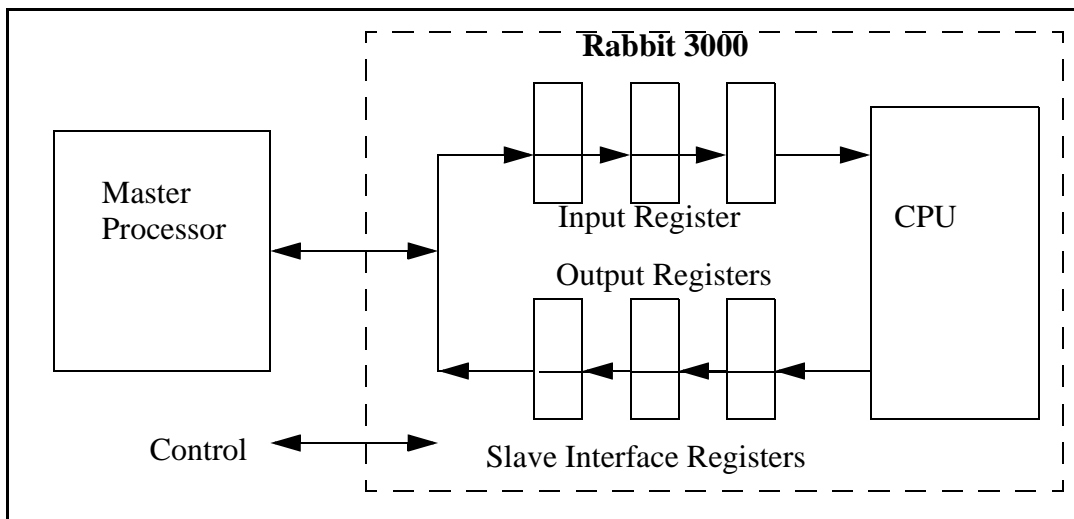


Figure 2-3. Slave-Port Data Paths

The slave Rabbit can read the same registers as I/O registers. When incoming data bits are written into one of the registers, status bits indicate which registers have been written, and an optional interrupt can be programmed to take place when the write occurs. When the slave writes to one of the registers carrying data bits outward, an attention line is enabled so that the master can detect the data change and be interrupted if desired. One line tells the master that the slave has read all the incoming data. Another line tells the master that new outgoing data bits are available and have not yet been read by the master. The slave port can be used to signal the master to perform tasks using a variety of communication protocols over the slave port.

2.2.7 Auxiliary I/O Bus

The Rabbit 3000 instruction set supports memory access and I/O access. Memory access takes place in a 1 megabyte memory space. I/O access takes place in a 64K I/O space. In a traditional microprocessor design the same address and data lines are used for both memory and I/O spaces. Sharing address and data lines in this manner often forces compromises or makes design more complicated. Generally the memory bus has more critical timing and less tolerant of additional capacitive loading imposed by sharing it with an I/O bus.

With the Rabbit 3000, the designer has the option of enabling completely separate buses for I/O and memory. The auxiliary I/O bus uses many of the same pins used by the slave port, so its operation is mutually exclusive from operation of the slave port. Parallel Port A is used to provide 8 bidirectional data lines. Parallel Port B bits 2:7 provide 6 address lines, the least significant 6 lines of the 16 lines that define the full I/O space. The auxiliary bus is only active on I/O bus cycles. The address lines remain in the same state assumed at the end of the previous I/O cycle until another I/O cycle takes place. I/O chip selects as well as read and write strobes are available at various other pins so that the 64 byte space defined by the 6 address lines may be easily expanded. I/O cycles also execute in parallel on the main (memory) bus when they take place on the auxiliary bus, so additional address lines can be buffered and provided if needed.

By connecting I/O devices to the auxiliary bus, the fast memory bus is relieved of the capacitive load that would otherwise slow the memory. For core modules based on the Rabbit 3000, fewer pins are required to exit the core module since the slave port and the I/O bus can share the same pins and the memory bus no longer needs to exit the module to provide I/O capability. Because the I/O bus has less activity and is slower than the memory bus, it can be run further physically without EMI and ground bounce problems. 5 V signals can appear on the I/O bus since the Rabbit 3000 inputs are 5 V tolerant. 5 V signals could easily cause problems on the main bus if non 5 V tolerant 3.3 V memories are connected.

2.2.8 Timers

The Rabbit has several timer systems. The periodic interrupt is driven by the 32.768 kHz oscillator divided by 16, giving an interrupt every 488 μ s if enabled. This is intended to be used as a general-purpose clock interrupt. Timer A consists of ten 8-bit countdown and reload registers that can be cascaded up to two levels deep. Each countdown register can be set to divide by any number between 1 and 256. The output of six of the timers is used to provide baud clocks for the serial ports. Any of these registers can also cause interrupts and clock the timer-synchronized parallel output ports. Timer B consists of a 10-bit counter that can be read but not written. There are two 10-bit match registers and comparators. If the match register matches the counter, a pulse is output. Thus the timer can be programmed to output a pulse at a predetermined count in the future. This pulse can be used to clock the timer-synchronized parallel-port output registers as well as cause an interrupt. Timer B is convenient for creating an event at a precise time in the future under program control.

Figure 2-4 illustrates the Rabbit timers.

and stop condition, for example a rising edge could be the start condition and a falling edge the stop condition. However, optionally, the start and stop condition can be input from separate pins.

The input capture channels can be used to measure the width of fast pulses. This is done by starting the counter on the first edge of the pulse and capturing the counter value on the second edge of the pulse. In this case the maximum error in the measurement is approximately 2 periods of the clock used to count the counter. If there is sufficient time between events for an interrupt to take place the unit can be set up to capture the counter value on either start or stop conditions or both and cause an interrupt each time the count is captured. In this case the start and stop conditions lose the connection with starting or stopping the counter and simply become capture conditions that may be specified for 2 independent edge detectors. The counter can also be cleared and started under software control and then have its value captured in response to an input.

If desired the capture counter can be synchronized with Timer B outputs used to synchronously load parallel port output registers. This makes it possible to generate an output signal precisely synchronized with an input signal. Usually it will be desired to synchronize one of the input capture counters with the Timer B counter. The count offset can be measured by outputting a pulse at a precise time using Timer B to set the output time and capturing the same pulse. Once the phase relationship is known between the counters it is then possible to output pulses a precise time delay after an input pulse is captured, provided that the time delay is great enough for the interrupt routine to process the capture event and set up the output pulse synchronized by Timer B. The minimum time delay needed is probably less than 10 microseconds if the software is done carefully the clock speed is reasonably high.

2.2.10 Quadrature Encoder Inputs

A quadrature encoder is a common electromechanical device used to track the rotation of a shaft, or in some cases to track the motion of a linear follower. These devices are usually implemented by the use of a disk or a strip with alternate opaque and transparent bands that excite dual optical detectors. The output signals are square waves 90 degrees out of phase also called being in quadrature with each other. By having quadrature signals, the direction of rotation can be detected by noting which signal leads the other signal.

The Rabbit 3000 has 2 quadrature encoder units. Each unit has 2 inputs, one being the normal input and the other the 90 degree or quadrature input. An 8 bit up down counter counts encoder steps in the forward and backward direction. The count can be extended beyond 8 bits by an interrupt that takes place each time the count overflows or underflows. The external signals are synchronized with an internal clock provided by the output of Timer A10.

2.2.11 Pulse Width Modulation Outputs

The pulse width modulated output generates a train of pulses periodic on a 1024 pulse frame with a duty cycle that varies from 1/1024 to 1024/1024. There are 4 independent PWM units. The units are driven by the output of Timer A9 which may be used to vary the

length of the pulses. When the duty cycle is greater than $1/1024$ the pulses are spread into groups distributed 256 counts apart in the 1024 frame. The pulse width modulation outputs can be passed through a filter and used as a 10-bit D/A converter. The outputs can also be used to directly drive devices that have intrinsic filtering such as motors or solenoids.

2.2.12 Spread Spectrum Clock

The main system clock, which is generated by the crystal oscillator or input from an external oscillator, can be modified by a clock spectrum spreader internal to the Rabbit 3000 chip. When the spectrum spreader is engaged, the clock is alternately speeded up and slowed down, thus spreading the spectrum of the clock harmonics in the frequency domain. This reduces EMI and improves the results of official radiated-emissions tests typically by 15–20 dB at critical frequencies. The spectrum spreader has 3 modes of operation: off, normal, and strong. Slightly faster memory access time is required when the spectrum spreader is used: 2–3 ns for the normal setting when the clock doubler is enabled, and 6–9 ns for the strong setting when the clock doubler is used. The spreader slightly influences baud rates and other timings because it introduces clock jitter, but the effect is usually small enough to be negligible.

2.2.13 Separate Core and I/O Power Pins

The silicon die that constitutes the Rabbit 3000 processor is divided into the core logic and the I/O ring. The I/O ring located on the 4 edges of the die holds the bonding pads and the large transistors used to create the I/O buffers that drive signals to the external world. The core section, inside the I/O ring contains the main processor and peripheral logic. The clock and clock edges in the core are very fast with large transient currents that create a lot of noise that is communicated to the outside of the package via the power pins. The I/O buffers have slower switching times and mostly operate at much lower frequencies than the core logic. The Rabbit has separate power and ground pins for the core and I/O ring. This allows the designer to feed clean power to the I/O ring filtered to be free of the noise generated by the core switching. This minimizes high frequency noise that would otherwise appear on output pins driven by buffers in the I/O ring. The result is lower EMI.

2.3 Design Standards

The same functionality can often be accomplished in more than one way with the Rabbit 3000. By publishing design standards, or standard ways to accomplish common objectives, software and hardware support become easier.

Refer to the *Rabbit 3000 Microprocessor Designer's Handbook* for additional information.

2.3.1 Programming Port

Rabbit Semiconductor publishes a specification for a standard programming port (see Appendix A, “The Rabbit Programming Port”) and provides a converter cable that may be used to connect a PC serial port to the standard programming interface. The interface is implemented using a 10-pin connector with two rows of pins on 2 mm centers. The port is connected to Rabbit Serial Port A, to the startup mode pins on the Rabbit, to the Rabbit

reset pin, and to a programmable output pin that is used to signal the PC that attention is needed. With proper precautions in design and software, it is possible to use Serial Port A as both a programming port and as a user-defined serial port, although this will not be necessary in most cases.

Rabbit Semiconductor supports the use of the standard programming port and the standard programming cable as a diagnostic and setup port to diagnosis problems or set up systems in the field.

2.3.2 Standard BIOS

Rabbit Semiconductor provides a standard BIOS for the Rabbit. The BIOS is a software program that manages startup and shutdown, and provides basic services for software running on the Rabbit.

2.4 Dynamic C Support for the Rabbit

Dynamic C is Z-World's interactive C language development system. Dynamic C runs on a PC under Windows 32-bit operating systems. Dynamic C provides a combined compiler, editor, and debugger. The usual method for debugging a target system based on the Rabbit is to implement the 10-pin programming connector that connects to the PC serial port via a standard converter cable. Dynamic C libraries contain highly perfected software to control the Rabbit. These includes drivers, utility and math routines and the debugging BIOS for Dynamic C.

In addition, the internationally known real-time operating system, uC/OS-II, has been ported to the Rabbit, and is available with Dynamic C on a license-free, royalty-free basis for use in Rabbit-based products..

3. DETAILS ON RABBIT MICROPROCESSOR FEATURES

3.1 Processor Registers

The Rabbit's registers are nearly identical to those of the Z180 or the Z80. The figure below shows the register layout. The XPC and IP registers are new. The EIR register is the same as the Z80 I register, and is used to point to a table of interrupt vectors for the externally generated interrupts. The IIR register occupies the same logical position in the instruction set as the Z80 R register, but its function is to point to an interrupt vector table for internally generated interrupts.

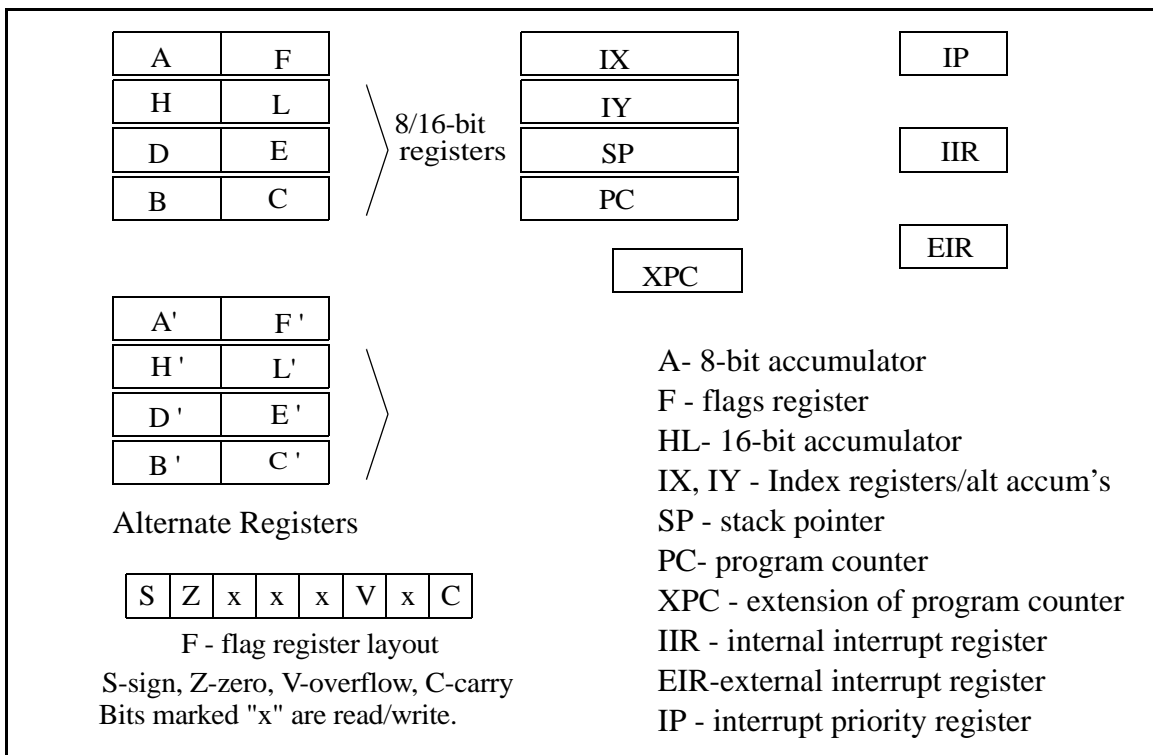


Figure 3-1. Rabbit Registers

The Rabbit (and the Z80/Z180) processor has two accumulators—the A register serves as an 8-bit accumulator for 8-bit operations such as **ADD** or **AND**. The 16-bit register HL register serves as an accumulator for 16-bit operations such as **ADD HL, DE**, which adds the 16-bit register DE to the 16-bit accumulator HL. For many operations IX or IY can substitute for HL as accumulators.

The register marked F is the flags register or status register. It holds a number of flags that provide information about the last operation performed. The flag register cannot be accessed directly except by using the **POP AF** and **PUSH AF** instructions. Normally the flags are tested by conditional jump instructions. The flags are set to mark the results of arithmetic and logic operations according to rules that are specified for each instruction. There are four unused read/write bits in the flag register that are available to the user via the **PUSH AF** and **POP AF** instructions. These bits should be used with caution since new-generation Rabbit processors could use these bits for new purposes.

The registers IX, IY and HL can also serve as index registers. They point to memory addresses from which data bits are fetched or stored. Although the Rabbit can address a megabyte or more of memory, the index registers can only directly address 64K of memory (except for certain extended addressing **LDP** instructions). The addressing range is expanded by means of the memory mapping hardware (see “Memory Mapping” on page 23) and by special instructions. For most embedded applications, 64K of *data* memory (as opposed to *code* memory) is sufficient. The Rabbit can efficiently handle a megabyte of program space.

The register SP points to the stack that is used for subroutine and interrupt linkage as well as general-purpose storage.

A feature of the Rabbit (and the Z80/Z180) is the *alternate register set*. Two special instructions swap the alternate registers with the regular registers. The instruction **EX AF, AF'** exchanges the contents of AF with AF'. The instruction **EXX** exchanges HL, DE, and BC with HL', DE', and BC'. Communication between the regular and alternate register set in the original Z80 architecture was difficult because the exchange instructions provided the only means of communication between the regular and alternate register sets. The Rabbit has new instructions that greatly improve communication between the regular and alternate register set. This effectively doubles the number of registers that are easily available for the programmer's use. It is not intended that the alternate register set be used to provide a separate set of registers for an interrupt routine, and Dynamic C does not support this usage because it uses both registers sets freely.

The IP register is the interrupt priority register. It contains four 2-bit fields that hold a history of the processor's interrupt priority. The Rabbit supports four levels of processor priority, something that exists only in a very restricted form in the Z80 or Z180.

3.2 Memory Mapping

Although the Rabbit memory mapping scheme is fairly complex, the user rarely needs to worry about it because the details are handled by the Dynamic C development system.

Except for a handful of special instructions (see Section 19.5, “16-bit Load and Store 20-bit Address”), the Rabbit instructions directly address a 64K data memory space. This means that the address fields in the instructions are 16 bits long and that the registers that may be used as pointers to memory addresses (index registers (IX, IY), program counter and stack pointer (**SP**)) are also 16 bits long.

Because Rabbit instructions use 16-bit addresses, the instructions are shorter and can execute much faster than if, for example, 32-bit addresses were used. The executable code is very compact.

The Rabbit memory-mapping unit is similar to, but more powerful than, the Z180 memory-mapping unit. Figure 3-2 illustrates the relationship among the major components related to addressing memory.

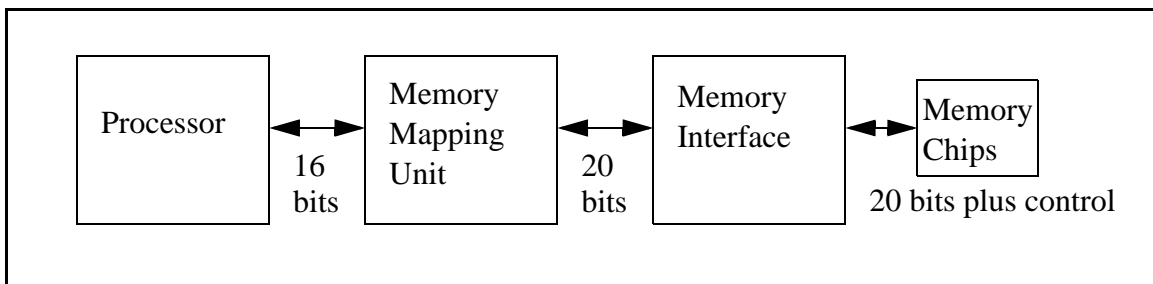


Figure 3-2. Addressing Memory Components

The memory-mapping unit receives 16-bit addresses as input and outputs 20-bit addresses. The processor (except for certain **LDP** instructions) sees only a 16-bit address space. That is, it sees 65536 distinctly addressable bytes that its instructions can manipulate. Three segment registers are used to map this 16-bit space into a 1-megabyte space. The 16-bit space is divided into four separate zones. Each zone, except the first or root zone, has a segment register that is added to the 16-bit address within the zone to create a 20-bit address. The segment register has eight bits and those eight bits are added to the upper four bits of the 16-bit address, creating a 20-bit address. Thus, each separate zone in the 16-bit memory becomes a window to a segment of memory in the 20-bit address space. The relative size of the four segments in the 16-bit space is controlled by the **SEGSIZE** register. This is an 8-bit register that contains two 4-bit registers. This controls the boundary between the first and the second segment and the boundary between the second and the third segment. The location of the two movable segment boundaries is determined by a 4-bit value that specifies the upper four bits of the address where the boundary is located. These relationships are illustrated in Figure 3-3.

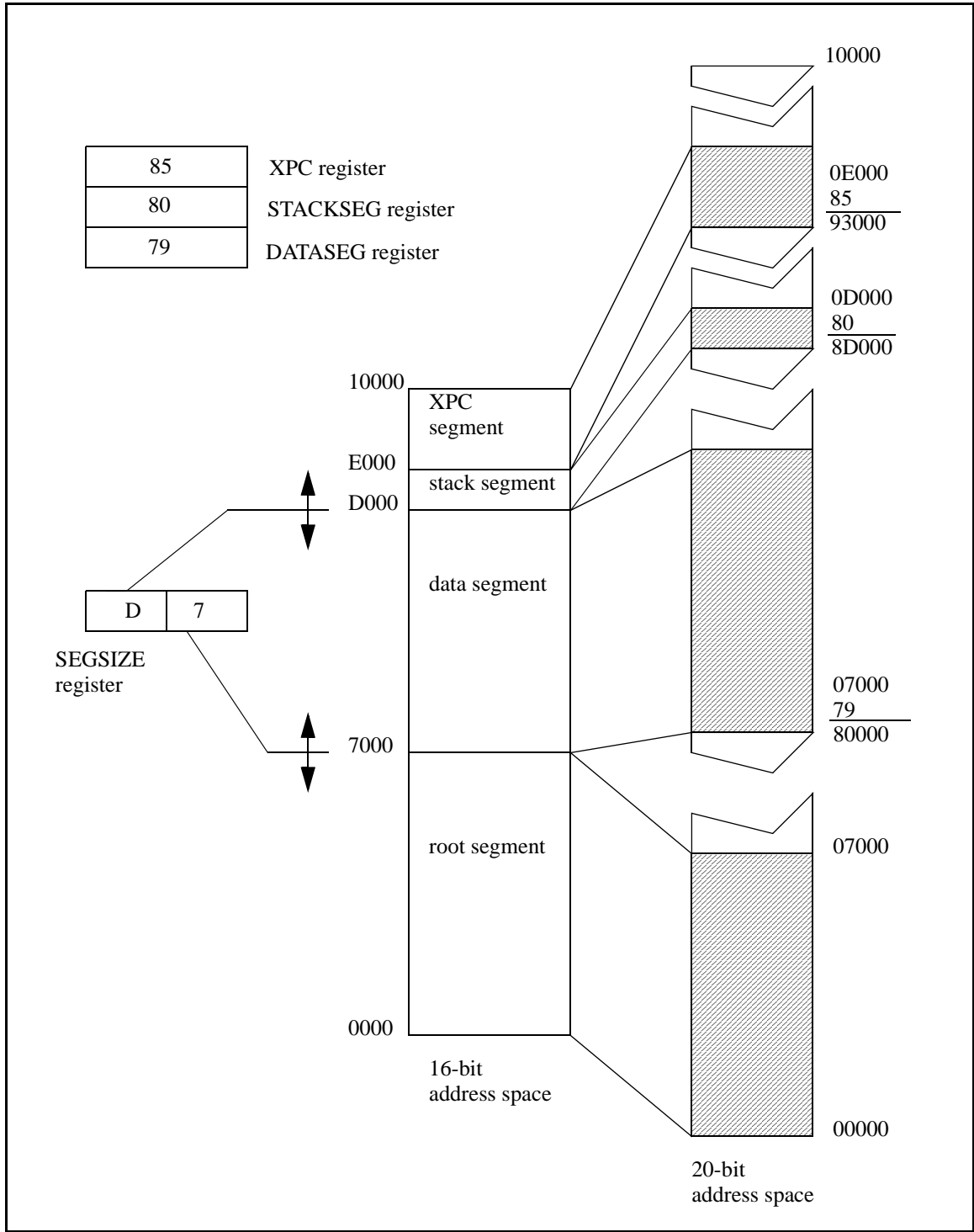


Figure 3-3. Example of Memory Mapping Operation

The names given to the segments in the figure are evocative of the common uses for each segment. The *root segment* is mapped to the base of flash memory and contains the startup code as well as other code that may happen to be stored there. The *data segment* usage varies depending on the overall strategy for setting up memory. It may be an extension of

the root segment or it may contain data variables. The *stack segment* is normally 4K long and it holds the system stack. The *XPC segment* is normally used to execute code that is not stored in the root segment or the data segment. Special instructions support executing code that is visible in the XPC segment.

The memory interface unit receives the 20-bit addresses generated by the memory-mapping unit. The memory interface unit conditionally modifies address lines A16, A18 and A19. The other address lines of the 20-bit address are passed unconditionally. The memory interface unit provides control signals for external memory chips. These interface signals are chip selects ($/CS0$, $/CS1$, $/CS2$), output enables ($/OE0$, $/OE1$), and write enables ($/WE0$, $/WE1$). These signals correspond to the normal control lines found on static memory chips (chip select or $/CS$, output enable or $/OE$, and write enable or $/WE$). In order to generate these memory control signals, the 20-bit address space is divided into four quadrants of 256K each. A *bank control register* for each quadrant determines which of the chip selects and which pair of output enables, and write enables (if any) is enabled when a memory read or write to that quadrant takes place. For example, if a 512K x 8 flash memory is to be accessed in the first 512K of the 20-bit address space, then $/CS0$, $/WE0$, $/OE0$ could be enabled in both quadrants.

Figure 3-4 shows a memory interface unit.

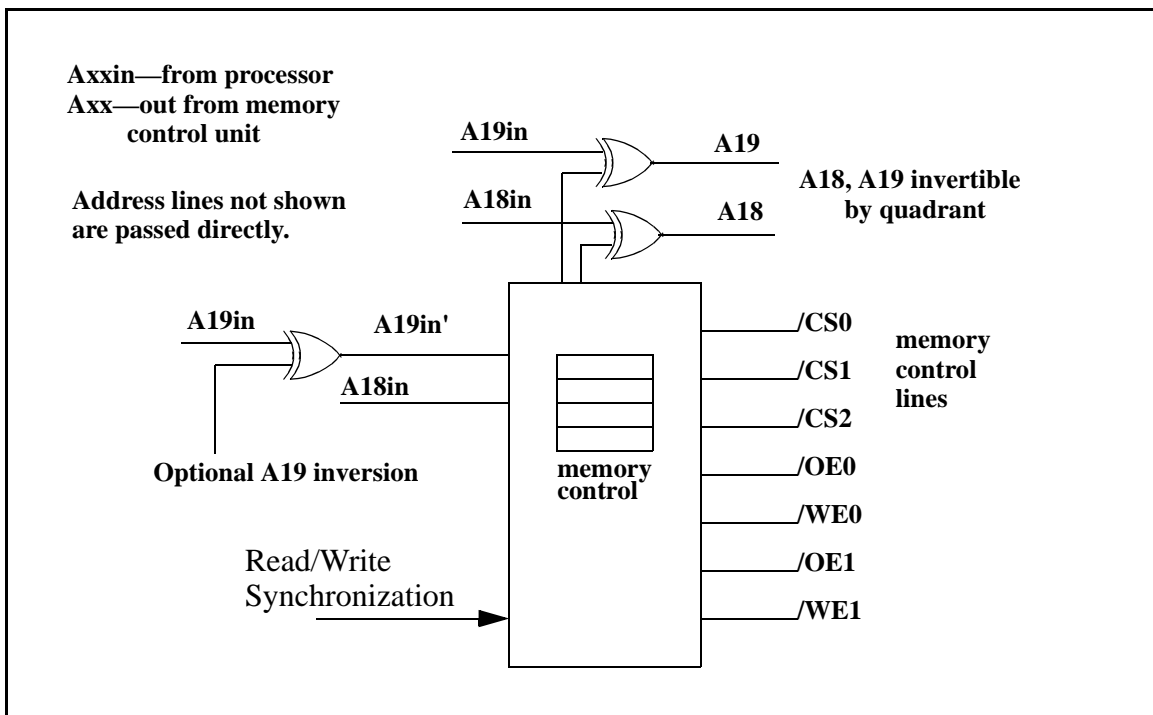


Figure 3-4. Memory Interface Unit

3.2.1 Extended Code Space

A crucial element of the Rabbit memory mapping scheme is the ability to execute programs containing up to a megabyte of code in an efficient manner. This ability is absent in a pure 16-bit address processor, and it is poorly supported by the Z180 through its memory mapping unit. On paged processors, such as the 8086, this capability is provided by paging the code space so that the code is stored in many separate pages. On the 8086 the page size is 64K, so all the code within a given page is accessible using 16-bit addressing for jumps, calls and returns. When paging is used, a separate register (CS on the 8086) is used to determine where the active page currently resides in the total memory space. Special instructions make it possible to jump, call or return from one page to another. These special instructions are called long calls, long jumps and long returns to distinguish them from the same operations that only operate on 16-bit variables.

The Rabbit also uses a paging scheme to expand the code space beyond the reach of a 16-bit address. The Rabbit paging scheme uses the concept of a sliding page, which is 8K long. This is the XPC segment. The 8-bit XPC register serves as a page register to specify the part of memory where the window points. When a program is executed in the XPC segment, normal 16-bit jumps, calls and returns are used for most jumps within the window. Normal 16-bit jumps, calls and returns may also be used to access code in the other three segments in the 16-bit address space. If a transfer of control to code outside the window is required, then a long jump, long call or long return is used. These instructions modify both the program counter (PC) and the XPC register, causing the XPC window to point to a different part of memory where the target of the long jump, call or return is located. The XPC segment is always 8K long. The granularity with which the XPC segment can be positioned in memory is 4K. Because the window can be slid by one-half of its size, it is possible to compile continuously without unused gaps in memory.

As the compiler generates code resident in the XPC window, the window is slid down by 4K when the code goes beyond F000. This is accomplished by a long jump that repositions the window 4K lower. This is illustrated by Figure 3-5. The compiler is not presented with a sharp boundary at the end of the page because the window does not run out of space when code passes F000 unless 4K more of code is added before the window is slid down. All code compiled for the XPC window has a 24-bit address consisting of the 8-bit XPC and the 16-bit address. Short jumps and calls can be used, provided that the source and target instructions both have the same XPC address. Generally this means that each instruction belongs to a window that is approximately 4K long and has a 16-bit address between $E000+n$ and $F000+m$, where n and m are on the order of a few dozen bytes, but can be up to 4096 bytes in length. Since the window is limited to no more than 8K, the compiler is unable to compile a single expression that requires more than 8K or so of code space. This is not a practical consideration since expressions longer than a few hundred bytes are in the nature of stunts rather than practical programs.

Program code can reside in the root segment or the XPC segment. Program code may also be resident in the data segment. Code can be executed in the stack segment, but this is usually restricted to special situations. Code in the root, meaning any of the segments other

than the XPC segment, can call other code in the root using short jumps and calls. Code in the XPC segment can also call code in the root using short jumps and calls. However, a long call must be used when code in the XPC segment is called. Functions located in the root have an efficiency advantage because a long call and a long return require 32 clocks to execute, but a short call and a short return require only 20 clocks to execute. The difference is small, but significant for short subroutines.

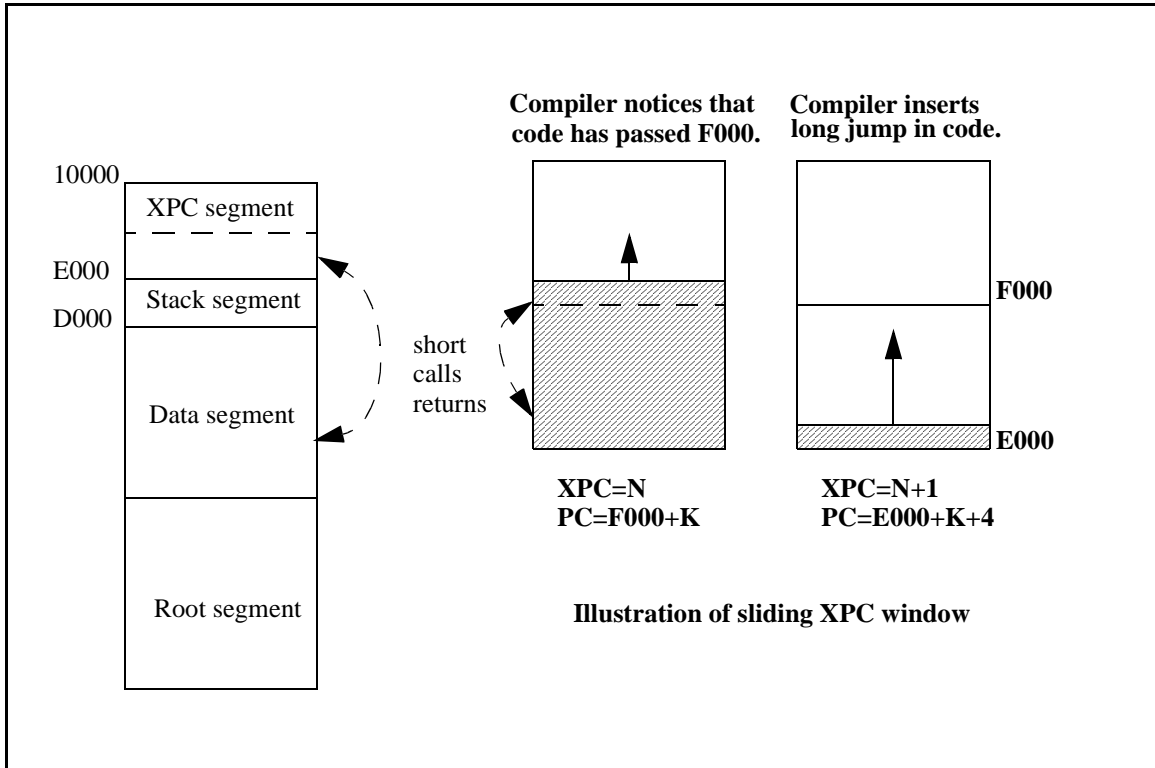


Figure 3-5. Use of XPC Segment

3.2.2 Separate I and D Space - Extending Data Memory

In the normal memory model, the data space must share a 64K space with root code, the stack, and the XPC window. Typically, this leaves a potential data space of 40K or less. The XPC requires 8K, the stack requires 4K, and most systems will require at least 12K of root code. This amount of data space is sufficient for many embedded applications.

One approach to getting more data space is to place data in RAM or in flash memory that is not mapped into the 64K space, and then access this data using function calls or in assembly language using the **LDP** instructions that can access memory using a 20-bit address. This greatly expands the data space, but the instructions are less efficient than instructions that access the 64k space using 16 bit addresses.

The Rabbit 3000 supports separate I and D or Instruction and Data spaces. When separate I and D space is enabled it applies only to addresses in the root segment or data segment. Separate I and D spaces mean that instruction execution makes a distinction between

fetching an instruction from memory and fetching or storing data in memory. When enabled separate I and D space make available the combined root and data segment, typically 52k bytes for root code in the I space. In the D space, the root code segment part of the D space is typically used for constant data mapped to flash memory while the data segment part of the D space is used for variable data mapped to RAM. Separate I and D space increases the amount of both root code and root data because they no longer have to share the same memory, even though they share the same addresses.

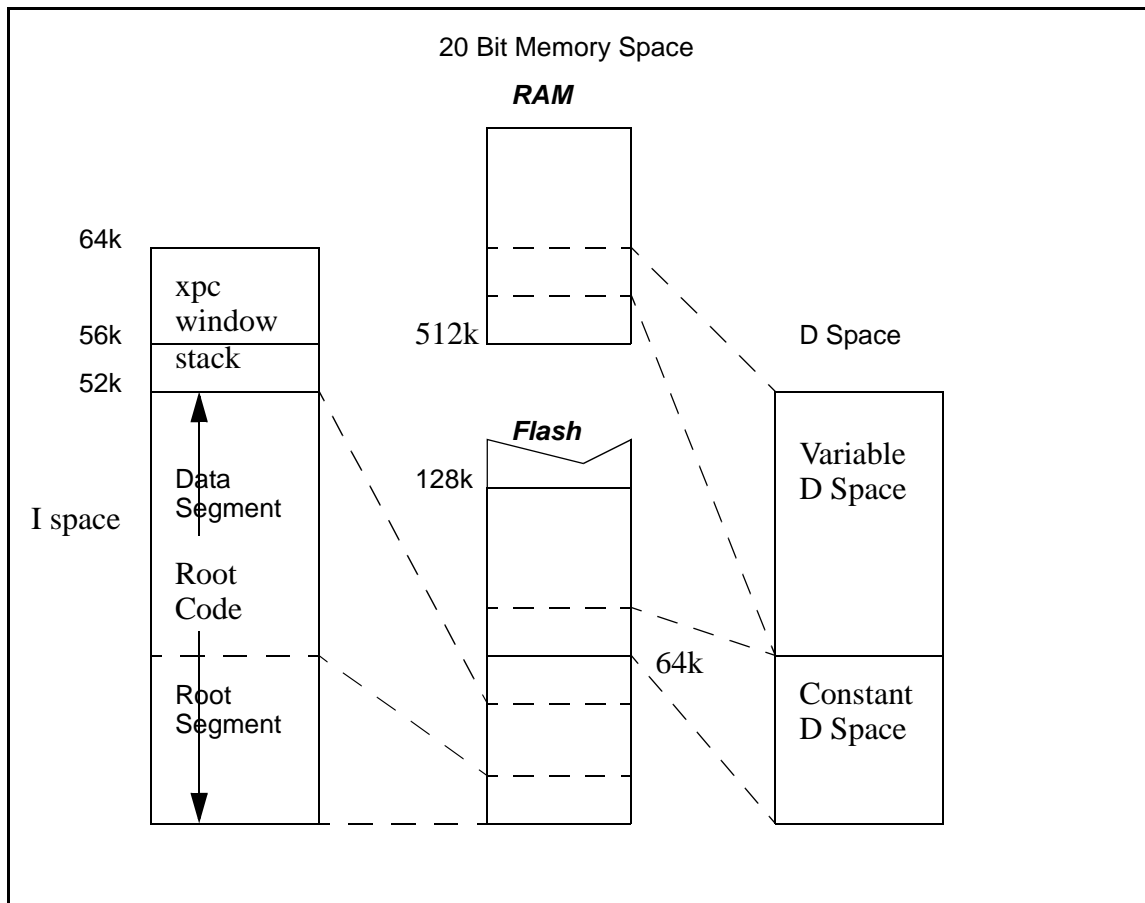


Figure 3-6. Separate I and D Space

Normally separate I and D space is implemented as shown in Figure 3-6. In the I space the root segment and the data segment are combined into a single root code segment. In the D space the segments are separately mapped to flash and RAM to provide storage for constant data and variable data. The hardware method to achieve separate 20 bit addresses for the D space is to invert either A16 or A19 for data accesses. The inversion may be specified separately for the root segment and the data segment. Normally A16 is inverted for data accesses in the root segment. This causes data accesses to the root segment to be moved 64k higher to a section of flash starting at 20 bit address 64k that is reserved for constant data. A19 is normally inverted for data accesses to the data segment, causing the data accesses in the data segment to be moved to an address 512k higher in the 20 bit space, an address normally mapped to RAM. The stack segment and the XPC segment do

not have split I and D space and memory accesses to these segments do not distinguish between I and D space.

The advantage of having more root code space is that root code executes faster because short calls using a 16 bit address are used to call it. This compares to long calls that have a 20 bit address for extended code. Data located in the root can be more conveniently accessed due to the comparatively limited instructions available for accessing data in the full 20 bit space and the greater overhead involve in manipulating 20 bit addresses in a processor that has 8 and 16 bit registers.

3.2.3 Using the Stack Segment for Data Storage

Another approach to extending data memory is to use the stack segment to access data, placing the stack in the data segment so as to free up the stack segment. This approach works well for a software system that uses data groupings that are self-contained and are accessed one at a time rather than randomly between all the groupings. An example would be the software structures associated with a TCP/IP communication protocol connection where the same code accesses the data structures associated with each connection in a pattern determined by the traffic on each connection.

The advantage of this approach is that normal C data access techniques, such as 16-bit pointers, may be used. The stack segment register has to be modified to bring the data structure into view in the stack segment before operations are performed on a particular data structure. Since the stack has to be moved into the data area, it is important that the number of stacks required be kept to a minimum when using the stack segment to view data. Of course, tasks that don't need to see the data structures can have their stack located in the stack segment. Another possibility is to have a data structure and a stack located together in the stack segment, and to use a different stack segment for different tasks, each task having its own data area and stack bound to it.

These approaches are shown in Figure 3-7 below.

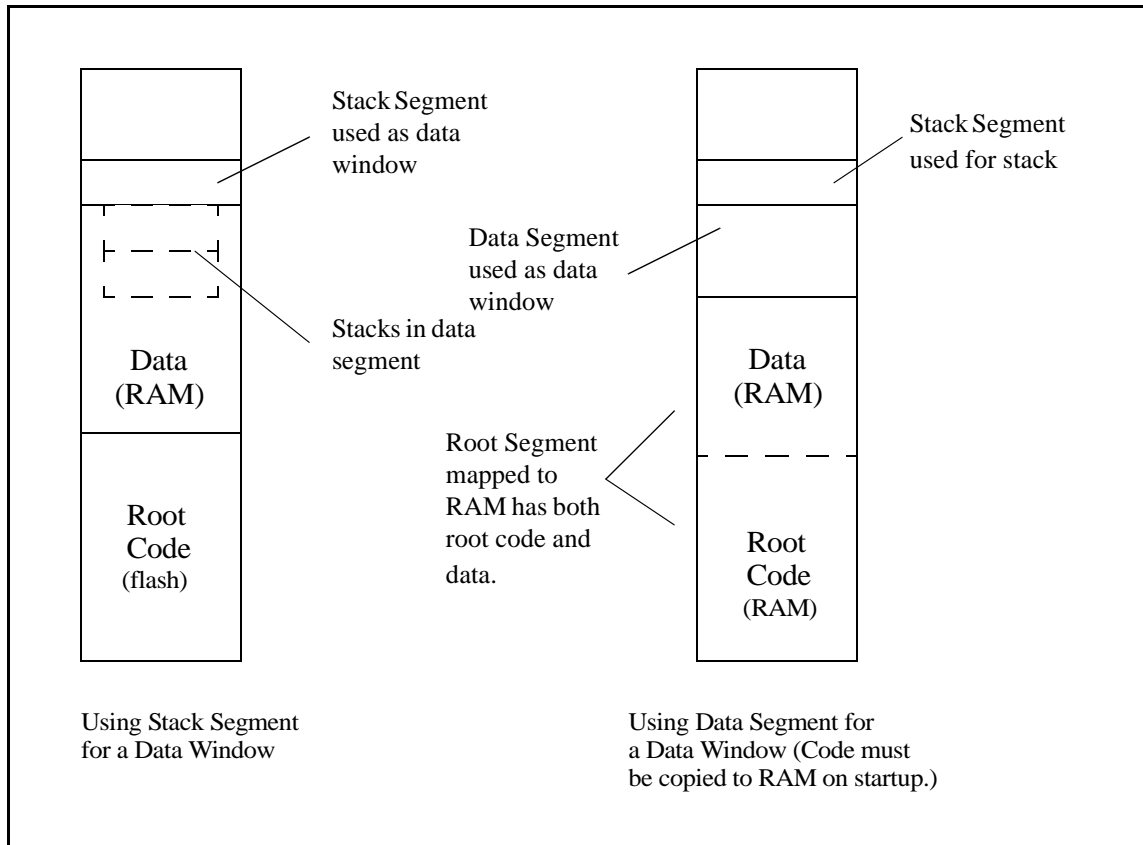


Figure 3-7. Schemes for Data Memory Windows

A third approach is to place the data and root code in RAM in the root segment, freeing the data segment to be a window to extended memory. This requires copying the root code to RAM at startup time. Copying root code to RAM is not necessarily that burdensome since the amount of RAM required can be quite small, say 12K for example.

The XPC segment at the top of the memory can also be used as a data segment by programs that are compiled into root memory. This is handy for small programs that need to access a lot of data.

3.2.4 Practical Memory Considerations

The simplest Rabbit configurations have one flash memory chip interfaced using /CS0 and one RAM memory chip interfaced using /CS1. Typical Rabbit-based systems use 256K of flash and 128 K of RAM, but smaller or larger memories may be used.

Although the Rabbit can support code size approaching a megabyte, it is anticipated that the majority of applications will use less than 250K of code, equivalent to approximately 10,000–20,000 C statements. This reflects both the compact nature of Rabbit code and the typical size of embedded applications.

Directly accessible C variables are limited to approximately 44K of memory, split between data stored in flash and RAM. This will be more than adequate for many embed-

ded applications. Some applications may require large data arrays or tables that will require additional data memory. For this purpose Dynamic C supports a type of extended data memory that allows the use of additional data memory, even extending far beyond a megabyte.

Requirements for stack memory depend on the type of application and particularly whether preemptive multitasking is used. If preemptive multitasking is used, then each task requires its own stack. Since the stack has its own segment in 16-bit address space, it is easy to use available RAM memory to support a large number of stacks. When a preemptive change of context takes place, the STACKSEG register can be changed to map the stack segment to the portion of RAM memory that contains the stack associated with the new task that is to be run. Normally the stack segment is 4K, which is typically large enough to provide space for several (typically four) stacks. It is possible to enlarge the stack segment if stacks larger than 4K are needed. If only one stack is needed, then it is possible to eliminate the stack segment entirely and place the single stack in the data segment. This option is attractive for systems with only 32K of RAM that don't need multiple stacks.

3.3 Instruction Set Outline

“Load Immediate Data to a Register” on page 33

“Load or Store Data from or to a Constant Address” on page 33

“Load or Store Data Using an Index Register” on page 34

“Register-to-Register Move” on page 35

“Register Exchanges” on page 35

“Push and Pop Instructions” on page 36

“16-bit Arithmetic and Logical Ops” on page 36

“Input/Output Instructions” on page 39—these include a fix for a bug that manifests itself if an I/O instruction (prefix **IOI** or **IOE**) is followed by one of 12 single-byte op codes that use HL as an index register.

In the discussion that follows, we give a few example instructions in each general category and contrast the Z80/Z180 with the Rabbit. For a detailed description of every instruction, see Chapter 19, “Rabbit Instructions”

The Rabbit executes instructions in fewer clocks than the Z80 or Z180. The Z180 usually requires a minimum of four clocks for 1-byte opcodes or three clocks for each byte for multi-byte op codes. In addition, three clocks are required for each data byte read or written. Many instructions in the Z180 require a substantial number of additional clocks. The Rabbit usually requires two clocks for each byte of the op code and for each data byte read. Three clocks are needed for each data byte written. One additional clock is required if a memory address needs to be computed or an index register is used for addressing. Only a few instructions don't follow this pattern. An example is *mul*, a 16 x 16 bit signed two's complement multiply. *mul* is a 1-byte op code, but requires 12 clocks to execute. Compared to the Z180, not only does the Rabbit require fewer clocks, but in a typical situation it has a higher clock speed and its instructions are more powerful.

The most important instruction set improvements in the Rabbit over the Z180 are in the following areas.

- Fetching and storing data, especially 16-bit words, relative to the stack pointer or the index registers IX, IY, and HL.
- 16-bit arithmetic and logical operations, including 16-bit and's, or's, shifts and 16-bit multiply.
- Communication between the regular and alternate registers and between the index registers and the regular registers is greatly facilitated by new instructions. In the Z180 the alternate register set is difficult to use, while in the Rabbit it is well integrated with the regular register set.
- Long calls, long returns and long jumps facilitate the use of 1M of code space. This removes the need in the Z180 to utilize inefficient memory banking schemes for larger programs that exceed 64K of code.

- Input/output instructions are now accomplished by normal memory access instructions prefixed by an op code byte to indicate access to an I/O space. There are two I/O spaces, internal peripherals and external I/O devices.

Some Z80 and Z180 instructions have been deleted and are not supported by the Rabbit (see Chapter 20, “Differences Rabbit vs. Z80/Z180 Instructions”). Most of the deleted instructions are obsolete or are little-used instructions that can be emulated by several Rabbit instructions. It was necessary to remove some instructions to free up 1-byte op codes needed to implement new instructions efficiently. The instructions were not re-implemented as 2-byte op codes so as not to waste on-chip resources on unimportant instructions. Except for the instruction **EX (SP), HL**, the original Z180 binary encoding of op codes is retained for all Z180 instructions that are retained.

3.3.1 Load Immediate Data to a Register

A constant that follows the op code in the instruction stream can generally be loaded to any register, except PC, IP, and F. (Load to the PC is a jump instruction.) This includes the alternate registers on the Rabbit, but not on the Z180. Some example instructions appear below.

```
LD A,3
LD HL,456
LD BC',3567 ; not possible on Z180
LD H',0x4A ; not possible on Z180
LD IX,1234
LD C,54
```

Byte loads require four clocks, word loads require six clocks. Loads to IX, IY or the alternate registers generally require two extra clocks because the op code has a 1-byte prefix.

3.3.2 Load or Store Data from or to a Constant Address

```
LD A,(mn) ; loads 8 bits from address mn
LD A',(mn) ; not possible on Z180
LD (mn),A
LD HL,(mn) ; load 16 bits from the address specified by mn
LD HL',(mn) ; to alternate register, not possible Z180
LD (mn),HL
```

Similar 16-bit loads and stores exist for DE, BC, SP, IX and IY.

It is possible to load data to the alternate registers, but it is not possible to store the data in the alternate register directly to memory.

```
LD A',(mn) ; allowed
** LD (mn),D' ; **** not a legal instruction!
** LD (mn),DE' ; **** not a legal instruction!
```

3.3.3 Load or Store Data Using an Index Register

An index register is a 16-bit register, usually IX, IY, SP or HL, that is used for the address of a byte or word to be fetched from or stored to memory. Sometimes an 8-bit offset is added to the address either as a signed or unsigned number. The 8-bit offset is a byte in the instruction word. BC and DE can serve as index registers only for the special cases below.

```
LD A, (BC)
LD A', (BC)
LD (BC), A
LD A, (DE)
LD A', (DE)
LD (DE), A
```

Other 8-bit loads and stores are the following.

```
LD r, (HL)      ; r is any of 7 registers A, B, C, D, E, H, L
LD r', (HL)     ; same but alternate register destination
LD (HL), r      ; r is any of the 7 registers above
                 ; or an immediate data byte
** LD (HL), r'  ; **** not a legal instruction!
LD r, (IX+d)    ; r is any of 7 registers, d is -128 to +127 offset
LD r', (IX+d)   ; same but alternate destination
LD (IX+d), r    ; r is any of 7 registers or an immediate data byte
LD (IY+d), r    ; IX or IY can have offset d
```

The following are 16-bit indexed loads and stores. None of these instructions exists on the Z180 or Z80. The only source for a store is HL. The only destination for a load is HL or HL'.

```
LD HL, (SP+d)   ; d is an offset from 0 to 255.
                 ; 16-bits are fetched to HL or HL'
LD (SP+d), HL   ; corresponding store
LD HL, (HL+d)   ; d is an offset from -128 to +127,
                 ; uses original HL value for addressing
                 ; l=(HL+d), h=(HL+d+1)
LD HL', (HL+d)
LD (HL+d), HL
LD (IX+d), HL   ; store HL at address pointed to
                 ; by IX plus -128 to +127 offset
LD HL, (IX+d)
LD HL', (IX+d)
LD (IY+d), HL   ; store HL at address pointed to
                 ; by IY plus -128 to +127 offset
LD HL, (IY+d)
LD HL', (IY+d)
```

3.3.4 Register-to-Register Move

Any of the 8-bit registers, A, B, C, D, E, H, and L, can be moved to any other 8-bit register, for example:

```
LD A,c
LD d,b
LD e,l
```

The alternate 8-bit registers can be a destination, for example:

```
LD a',c
LD d',b
```

These instructions are unique to the Rabbit and require 2 bytes and four clocks because of the required prefix byte. Instructions such as `LD A,d'` or `LD d',e'` are not allowed.

Several 16-bit register-to-register move instructions are available. Except as noted, these instructions all require 2 bytes and four clocks. The instructions are listed below.

```
LD dd',BC ; where dd' is any of HL', DE', BC' (2 bytes, 4 clocks)
LD dd',DE
LD IX,HL
LD IY,HL
LD HL,IY
LD HL,IX
LD SP,HL ; 1-byte, 2 clocks
LD SP,IX
LD SP,IY
```

Other 16-bit register moves can be constructed by using 2-byte moves.

3.3.5 Register Exchanges

Exchange instructions are very powerful because two (or more) moves are accomplished with one instruction. The following register exchange instructions are implemented.

```
EX af,af' ; exchange af with af'
EXX ; exchange HL, DE, BC with HL', DE', BC'
EX DE,HL ; exchange DE and HL
```

The following instructions are unique to the Rabbit.

```
EX DE',HL ; 1 byte, 2 clocks
EX DE, HL' ; 2 bytes, 4 clocks
EX DE', HL' ; 2 bytes, 4 clocks
```

The following special instructions (Rabbit and Z180/Z80) exchange the 16-bit word on the top of the stack with the HL register. These three instructions are each 2 bytes and 15 clocks.

```
EX (SP),HL
EX (SP),IX
EX (SP),IY
```

3.3.6 Push and Pop Instructions

There are instructions to push and pop the 16-bit registers AF, HL, DC, BC, IX, and IY. The registers AF', HL', DE', and BC' can be popped. Popping the alternate registers is exclusive to the Rabbit, and is not allowed on the Z80 / Z180.

Examples

```
POP HL
PUSH BC
PUSH IX
PUSH af
POP DE
POP DE'
POP HL'
```

3.3.7 16-bit Arithmetic and Logical Ops

The HL register is the primary 16-bit accumulator. IX and IY can serve as alternate accumulators for many 16-bit operations. The Z180/Z80 has a weak set of 16-bit operations, and as a practical matter the programmer has to resort to combinations of 8-bit operations in order to perform many 16-bit operations. The Rabbit has many new op codes for 16-bit operations, removing some of this weakness.

The basic Z80/Z180 16-bit arithmetic instructions are

```
ADD HL,ww ; where ww is HL, DE, BC, SP
ADC HL,ww ; ADD and ADD carry
SBC HL,ww ; sub and sub carry
INC ww ; increment the register (without affecting flags)
```

In the above op codes, IX or IY can be substituted for HL. The **ADD** and **ADC** instructions can be used to left-shift HL with the carry. An alternate destination prefix (**ALTD**) may be used on the above instructions. This causes the result and its flags to be stored in the corresponding alternate register. If the **ALTD** flag is used when IX or IY is the destination register, then only the flags are stored in the alternate flag register.

The following new instructions have been added for the Rabbit.

```
;Shifts
RR HL ; rotate HL right with carry, 1 byte, 2 clocks
; note use ADC HL,HL for left rotate, or add HL,HL if
; no carry in is needed.
RR DE ; 1 byte, 2 clocks
RL DE ; rotate DE left with carry, 1-byte, 2 clocks
RR IX ; rotate IX right with carry, 2 bytes, 4 clocks
RR IY ; rotate IY right with carry

;Logical Operations
AND HL,DE ; 1 byte, 2 clocks
AND IX,DE ; 2 bytes, 4 clocks
AND IY,DE
OR HL,DE ; 1 byte, 2 clocks
OR IX,DE ; 2 bytes, 4 clocks
OR IY,DE
```

The **BOOL** instruction is a special instruction designed to help test the HL register. **BOOL** sets HL to the value 1 if HL is non zero, otherwise, if HL is zero its value is not changed. The flags are set according to the result. **BOOL** can also operate on IX and IY.

```

    BOOL HL          ; set HL to 1 if non- zero, set flags to match HL
    BOOL IX
    BOOL IY
    ALTD BOOL HL    ; set HL' an f' according to HL
    ALTD BOOL IY    ; modify IY and set f' with flags of result

```

The **SBC** instruction can be used in conjunction with the **BOOL** instruction for performing comparisons. The **SBC** instruction subtracts one register from another and also subtracts the carry bit. The carry out is inverted compared to the carry that would be expected if the number subtracted was negated and added. The following examples illustrate the use of the **SBC** and **BOOL** instructions.

```

                                ; Test if HL>=DE - HL and DE unsigned numbers 0-65535
OR a                            ; clear carry
SBC HL,DE ; if C==0 then HL>=DE else if C==1 then HL<DE

                                ; convert the carry bit into a boolean variable in HL
                                ;
SBC HL,HL ; sets HL==0 if C==0, sets HL==0ffffh if C==1
BOOL HL   ; HL==1 if C was set, otherwise HL==0
                                ;
                                ; convert not carry bit into boolean variable in HL
SBC HL,HL ; HL==0 if C==0 else HL==ffff if C=1
INC HL    ; HL==1 if C==0 else HL==0 if C==1
                                ; note carry flag set, but zero / sign flags reversed

```

In order to compare signed numbers using the **SBC** instruction, the programmer can map the numbers into an equivalent set of unsigned numbers by inverting the sign bit of each number before performing the comparison. This maps the most negative number 0x08000 to the smallest unsigned number 0x0000, and the most positive signed number 0x07FFF to the largest unsigned number 0x0FFFF. Once the numbers have been converted, the comparison can be done as for unsigned numbers. This procedure is faster than using a jump tree that requires testing the sign and overflow bits.

```

                                ; example - test for HL>=DE where HL and DE are signed numbers
                                ; invert sign bits on both
ADD HL,HL ; shift left
CCF      ; invert carry
RR HL    ; rotate right
RL DE
CCF
RR DE    ; invert DE sign
SBC HL,DE ; no carry if HL>=DE
                                ; generate boolean variable true if HL>=DE
SBC HL,HL ; zero if no carry else -1
INC HL   ; 1 if no carry, else zero
BOOL     ; use this instruction to set flags if needed

```

The **SBC** instruction can also be used to perform a sign extension.

```
                ; extend sign of l to HL
LD A,l
rla            ; sign to carry
SBC A,a       ; a is all 1's if sign negative
LD h,a        ; sign extended
```

The multiply instruction performs a signed multiply that generates a 32-bit signed result.

```
MUL           ; signed multiply of BC and DE,
              ; result in HL:BC - 1 byte, 12 clocks
```

If a 16-bit by 16-bit multiply with a 16-bit result is performed, then only the low part of the 32-bit result (BC) is used. This (counter intuitively) is the correct answer whether the terms are signed or unsigned integers. The following method can be used to perform a 16 x 16 bit multiply of two unsigned integers and get an unsigned 32-bit result. This uses the fact that if a negative number is multiplied the sign causes the other multiplier to be subtracted from the product. The method shown below adds double the number subtracted so that the effect is reversed and the sign bit is treated as a positive bit that causes an addition.

```
LD BC,n1
LD HL',BC ; save BC in HL'
LD DE,n2
LD A,b    ; save sign of BC
MUL       ; form product in HL:BC
OR a      ; test sign of BC multiplier
JR p,x1   ; if plus continue
ADD HL,DE ; adjust for negative sign in BC
x1:
RL DE     ; test sign of DE
JR nc,x2  ; if not negative
          ; subtract other multiplier from HL
EX DE,HL'
ADD HL,DE
x2:
          ; final unsigned 32 bit result in HL:BC
```

This method can be modified to multiply a signed number by an unsigned number. In that case only the unsigned number has to be tested to see if the sign is on, and in that case the signed number is added to the upper part of the product.

The multiply instruction can also be used to perform left or right shifts. A left shift of n positions can be accomplished by multiplying by the unsigned number 2^n . This works for $n \neq 15$, and it doesn't matter if the numbers are signed or unsigned. In order to do a right shift by n ($0 < n < 16$), the number should be multiplied by the unsigned number $2^{(16-n)}$, and the upper part of the product taken. If the number is signed, then a signed by unsigned multiply must be performed. If the number is unsigned or is to be treated as unsigned for a logical right shift, then an unsigned by unsigned multiply must be performed. The problem can be simplified by excluding the case where the multiplier is 2^{15} .

3.3.8 Input/Output Instructions

The Rabbit uses an entirely different scheme for accessing input/output devices. Any memory access instruction may be prefixed by one of two prefixes, one for internal I/O space and one for external I/O space. When so prefixed, the memory instruction is turned into an I/O instruction that accesses that I/O space at the I/O address specified by the 16-bit memory address used. For example

```
IOI LD A, (0x85)    ; loads A register with contents
                   ; of internal I/O register at location 0x85.

LD IY, 0x4000
IOE LD HL, (IY+5)   ; get word from external I/O location 0x4005
```

By using the prefix approach, all the 16-bit memory access instructions are available for reading and writing I/O locations. The memory mapping is bypassed when I/O operations are executed.

I/O writes to the internal I/O registers require only two clocks, rather than the minimum of three clocks required for writes to memory or external I/O devices.

3.4 How to Do It in Assembly Language—Tips and Tricks

3.4.1 Zero HL in 4 Clocks

```
    BOOL HL    ; 2 clocks, clears carry, HL is 1 or 0
    RR HL      ; 2 clocks, 4 total - get rid of possible 1
```

This sequence requires four clocks compared to six clocks for `LD HL, 0`.

3.4.2 Exchanges Not Directly Implemented

HL<->HL' - eight clocks

```
    EX DE',HL    ; 2 clocks
    EX DE',HL'   ; 4 clocks
    EX DE',HL    ; 2 clocks, 8 total
```

DE<->DE' - six clocks

```
    EX DE',HL    ; 2 clocks
    EX DE,HL     ; 2 clocks
    EX DE',HL    ; 2 clocks, 6 total
```

BC<->BC' - 12 clocks

```
    EX DE',HL    ; 2 clocks
    EX DE,HL'    ; 4
    EX DE,HL     ; 2
    EXX          ; 2
    EX DE,HL     ; 2
```

Move between IX, IY and DE, DE'

IX/IY->DE / DE->IX/IY

```
    ;IX, IX --> DE
    EX DE,HL
    LD HL,IX/IY / LD IX/IY,HL
    EX DE,HL      ; 8 clocks total

                    ; DE --> IX/ IY
    EX DE,HL
    LD IX/IY,HL
    EX DE,HL      ; 8 clocks total
```

3.4.3 Manipulation of Boolean Variables

Logical operations involving HL when HL is a logical variable with a value of 1 or 0—this is important for the C language where the least bit of a 16-bit integer is used to represent a logical result

Logical not operator—invert bit 0 of HL in four clocks (also works for IX, IY in eight clocks)

```
    DEC HL      ; 1 goes to zero, zero goes to -1
    BOOL HL     ; -1 to 1, zero to zero. 4 clocks total
```

Logical xor operator—`xor HL,DE` when HL/DE are 1 or 0.

```
    ADD HL,DE
    RES 1,1     ; 6 clocks total, clear bit 1 result of if 1+1=2
```

3.4.4 Comparisons of Integers

Unsigned integers may be compared by testing the zero and carry flags after a subtract operation. The zero flag is set if the numbers are equal. With the **SBC** instruction the carry cleared is set if the number subtracted is less than or equal to the number it is subtracted from. 8-bit unsigned integers span the range 0–255. 16-bit unsigned integers span the range 0–65535.

```
OR a          ; clear carry
SBC HL,DE     ; HL=A and DE=B

A>=B    !C
A<B     C
A==B    Z
A>B     !C & !Z
A<=B    C v Z
```

If A is in HL and B is in DE, these operations can be performed as follows assuming that the object is to set HL to 1 or 0 depending on whether the compare is true or false.

```
; compute HL<DE
; unsigned integers
; EX DE,HL ; uncomment for DE<HL
OR a          ; clear carry
SBC HL,DE     ; C set if HL<DE
SBC HL,HL     ; HL-HL-C -- -1 if carry set
BOOL HL      ; set to 1 if carry, else zero
              ; else result == 0
;unsigned integers
; compute HL>=DE or DE>=HL - check for !C
; EX DE,HL ; uncomment for DE<=HL
OR a          ; clear carry
SBC HL,DE     ; !C if HL>=DE
SBC HL,HL     ; HL-HL-C - zero if no carry, -1 if C
INC HL       ; 14 / 16 clocks total -if C after first SBC result 1,
              ; else 0
; 0 if C , 1 if !C
;
: compute HL==DE
OR a          ; clear carry
SBC HL,DE     ; zero is equal
BOOL HL      ; force to zero, 1
DEC HL       ; invert logic
BOOL HL      ; 12 clocks total -logical not, 1 for inputs equal
;
```

Some simplifications are possible if one of the unsigned numbers being compared is a constant. Note that the carry has a reverse sense from **SBC**. In the following examples, the pseudo-code in the form **LD DE, (65535-B)** does not indicate a load of **DE** with the address pointed to by **65535-B**, but simply indicates the difference between 65535 and the 16-bit unsigned integer **B**.

```

;test for HL>B B is constant
LD DE,(65535-B)
ADD HL,DE ; carry set if HL>B
SBC HL,HL ; HL-HL-C - result -1 if carry set, else zero
BOOL HL ; 14 total clocks - true if HL>B

; HL>=B B is constant not zero
LD DE,(65536-B)
ADD HL,DE
SBC HL,HL
BOOL HL ; 14 clocks

; HL>=B and B is zero
LD HL,1 ; 6 clocks

; HL<B B is a constant, not zero (if B==0 always false)
LD DE,(65536-B)
ADD HL,DE ; not carry if HL<B
SBC HL,HL ; -1 if carry, else 0
INC HL ; 14 clocks --0 if carry, else 1 if no carry
;
; HL <= B B is constant not zero
LD DE,(65535-B)
ADD HL,DE ; ~C if HL<=B
CCF ; C if true
SBC HL,HL ; if C -1 else 0
INC HL ; 16 clocks -- 1 if true, else 0
;
; HL <= B B is zero - true if HL==0
BOOL HL ; result in HL
;
; HL==B and B is a constant not zero
LD DE,(65536-B)
ADD HL,DE ; zero if equal
BOOL HL
INC HL
RES 1,1 ; 16 clocks

; HL==B and B==0
BOOL HL
INC HL
RES 1,1 ; 8 clocks

```

For signed integers the conventional method to look at the zero flag, the minus flag and the overflow flag. Signed 8-bit integers span the range -128 to +127 (0x80 to 0x7F). Signed 16-bit integers span the range -32768 to + 32767 (0x8000 to 0x7FFF). The sign and zero flag tell which is the larger number after the subtraction unless the overflow is set, in which case the sign flag needs to be inverted in the logic, that is, it is wrong.

```

A>B    (!S & !V & !Z) v (S & V)
A<B    (S & !V) v (!S & V & !Z)
A==B
A>=B
A<=B

```

Another method of doing signed compare is to first map the signed integers onto unsigned integers by inverting bit 15. This is shown in Figure 3-8. Once the mapping has been performed by inverting bit 15 on both numbers, the comparisons can be done as if the numbers were unsigned integers. This avoids having to construct a jump tree to test the overflow and sign flags. An example is shown below.

```

; test HL>5 for signed integers
LD DE,65535-(5+0x08000) ; 5 mapped to unsigned integers
LD BC,0x08000
ADD HL,BC ; invert high bit
ADD HL,DE ; 16 clocks to here
; carry now set if HL>5 - opportunity to jump on carry
SUBC HL,HL ; HL-HL-C ; if C on result is -1, else zero
BOOL HL ; 22 clocks total - true if HL>5 else false

```

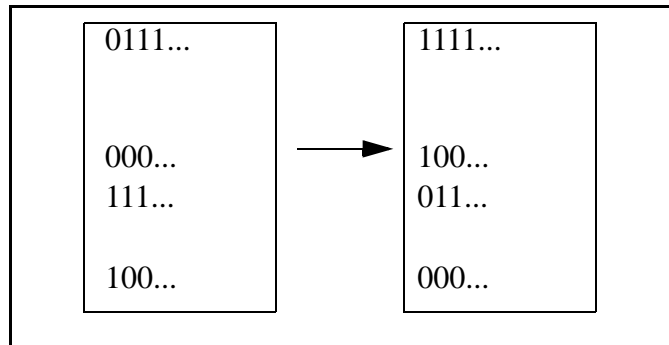


Figure 3-8. Mapping Signed Integers to Unsigned Integers by Inverting Bit 15

3.4.5 Atomic Moves from Memory to I/O Space

To avoid disabling interrupts while copying a shadow register to its target register, it is desirable to have an atomic move from memory to I/O space. This can be done using LDD or LDI instructions.

```

LD HL,sh_PDDDR ; point to shadow register
LD DE,PDDDR ; set DE to point to I/O reg
SET 5,(HL) ; set bit 5 of shadow register
; use ldd instruction for atomic transfer
IOI ldd ; (io DE)<-(HL) HL--, DE--

```

When the LDD instruction is prefixed with an I/O prefix, the destination becomes the I/O address specified by DE. The decrementing of HL and DE is a side effect. If the repeating instructions LDIR and LDDR are used, interrupts can take place between successive iterations. Word stores to I/O space can be used to set two I/O registers at adjacent addresses with a single noninterruptable instruction.

3.5 Interrupt Structure

When an interrupt occurs on the Rabbit, the return address is pushed on the stack, and control is transferred to the address of the interrupt service routine. The address of the interrupt service routine has two parts: the upper byte of the address comes from a special register and the lower byte is fixed by hardware for each interrupt, as shown in Table 6-1. There are separate registers for internal interrupts (IIR) and external interrupts (EIR) to specify the high byte of the interrupt service routine address. These registers are accessed by special instructions.

```
LD A,IIR
LD IIR,A
LD A,EIR
LD EIR,A
```

Interrupts are initiated by hardware devices or by certain 1-byte instructions called reset instructions.

```
RST 10
RST 18
RST 20
RST 28
RST 38
```

The **RST** instructions are similar to those on the Z80 and Z180, but certain ones have been removed from the instruction set (00, 08, 30). The **RST** interrupts are not inhibited regardless of the processor priority. The user is advised to exercise caution when using these instructions as they are mostly reserved for the use of Dynamic C for debugging. Unlike the Z80 or Z180, the IIR register contributes the upper byte of the service routine address for RST interrupts.

Since interrupt routines do not affect the XPC, interrupt routines must be located in the root code space. However, they can jump to the extended code space after saving the XPC on the stack.

3.5.1 Interrupt Priority

The Z80 and Z180 have two levels of interrupt priority: maskable and nonmaskable. The nonmaskable interrupt cannot be disabled and has a fixed interrupt service routine address of 0x66. The Rabbit, in contrast, has three levels of interrupt priority and four priority levels at which the processor can operate. If an interrupt is requested, and the priority of the interrupt is higher than that of the processor, the interrupt will take place after the execution of the current instruction is complete (except for privileged instructions)

Multiple interrupt priorities have been established to make it feasible for the embedded systems programmer to have extremely fast interrupts available. *Interrupt latency* refers to the time required for an interrupt to take place after it has been requested. Generally, interrupts of the same priority are disabled when an interrupt service routine is entered. Sometimes interrupts must stay disabled until the interrupt service routine is completed, other times the interrupts can be re-enabled once the interrupt service routine has at least disabled its own cause of interrupt. In any case, if several interrupt routines are operating at

the same priority, this introduces interrupt latency while the next routine is waiting for the previous routine to allow more interrupts to take place. If a number of devices have interrupt service routines, and all interrupts are of the same priority, then pending interrupts can not take place until at least the interrupt service routine in progress is finished, or at least until it changes the interrupt priority. As a rule of thumb, Z-World usually suggests that 100 μ s be allowed for interrupt latency on Z180- or Rabbit-based controllers. This can result if, for example, there are five active interrupt routines, and each turns off the interrupts for at most 20 μ s.

The intention in the Rabbit is that most interrupting devices will use priority 1 level interrupts. Devices that need extremely fast response to interrupts will use priority level 2 or 3 interrupts. Since code that runs at priority level 0 or 1 never disables level 2 and level 3 interrupts, these interrupts will take place within about 20 clocks, the length of the longest instruction or longest sensible sequence of privileged instructions followed by an unprivileged instruction. It is important that the user be careful not to overdisable interrupts in critical code sections. *The processor priority should not be raised above level 1 except in carefully considered situations.*

The effect of the processor priority on interrupts is shown in Table 3-1. The priority of the interrupt is usually established by bits in an I/O control register associated with the hardware that creates the interrupt. The 8-bit interrupt register (IP) holds the processor priority in the least significant 2 bits. When an interrupt takes place, the IP register is shifted left 2 positions and the lower 2 bits are set to equal the priority of the interrupt that just took place. This means that an interrupt service request (ISR) can only be interrupted by an interrupt of higher priority (unless the priority is explicitly set lower by the programmer). The IP register serves as a 4-word stack of 2-bit words to save and restore interrupt priorities. It can be shifted right, restoring the previous priority by a special instruction (**IPRES**). Since only the current processor priority and 3 previous priorities can be saved in the interrupt register, instructions are also provided to **PUSH** and **POP IP** using the regular stack. A new priority can be “pushed” into the IP register with special instructions (**IPSET 0**, **IPSET 1**, **IPSET 2**, **IPSET 3**).

Table 3-1. Effect of Processor Priorities on Interrupts

Processor Priority	Effect on Interrupts
0	All interrupts, priority 1,2 and 3 take place after execution of current non privileged instruction.
1	Only interrupts of priority 2 and 3 take place.
2	Only interrupts of priority 3 take place.
3	All interrupt are suppressed (except RST instruction).

3.5.2 Multiple External Interrupting Devices

The Rabbit 3000 has two distinct external interrupt request lines. If there are more than two external causes of interrupts, then these lines must be shared between multiple devices. The interrupt line is edge-sensitive, meaning that it requests an interrupt only when a rising or falling edge, whichever is specified in the setup registers, takes place. The state of the interrupt line(s) can always be read by reading Parallel Port E since they share pins with Parallel Port E.

If several lines are to share interrupts with the same port, the individual interrupt requests would normally be or'ed together so that any device can cause an interrupt. If several devices are requesting an interrupt at the same time, only one interrupt results because there will be only one transition of the interrupt request line. To resolve the situation and make sure that the separate interrupt routines for the different devices are called, a good method is to have a interrupt dispatcher in software that is aided by providing separate attention request lines for each device. The attention request lines are basically the interrupt request lines for the separate devices before they are or'ed together. The interrupt dispatcher calls the interrupt routines for all devices requesting interrupts in priority order so that all interrupts are serviced.

3.5.3 Privileged Instructions, Critical Sections and Semaphores

Normally an interrupt happens at the end of the instruction currently executing. However, if the instruction executing is *privileged*, the interrupt cannot take place at the end of the instruction and is deferred until a non privileged instruction is executed, usually the next instruction. Privileged instructions are provided as a handy way of making a certain operation *atomic* because there would be a software problem if an interrupt took place after the instruction. Turning off the interrupts explicitly may be too time consuming or not possible because the purpose of the privileged instruction is to manipulate the interrupt controls. For additional information on privileged instructions, see Section 19.19, "Privileged Instructions".

The privileged instructions to load the stack are listed below.

```
LD SP,HL
LD SP,IY
LD SP,IX
```

The following instructions to load SP are privileged because they are frequently followed by an instruction to change the stack segment register. If an interrupt occurs between these two instructions and the following instruction, the stack will be ill-defined.

```
LD SP,HL
IOI LD sseg, a
```

The privileged instructions to manipulate the IP register are listed below.

```
IPSET 0    ; shift IP left and set priority 00 in bits 1,0
IPSET 1
IPSET 2
IPSET 3
IPRES      ; rotate IP right 2 bits, restoring previous priority
RETI       ; pops IP from stack and then pops return address
POP IP     ; pop IP register from stack
```

3.5.4 Critical Sections

Certain library routines may need to disable interrupts during a critical section of code. Generally these routines are only legal to call if the processor priority is either 0 or 1. A priority higher than this implies custom hand-coded assembly routines that do not call general-purpose libraries. The following code can be used to disable priority 1 interrupts.

```
IPSET 1 ; save previous priority and set priority to 1
....critical section...
IPRES   ; restore previous priority
```

This code is safe if it is known that the code in the critical section does not have an embedded critical section. If this code is nested, there is the danger of overflowing the IP register. A different version that can be nested is the following.

```
PUSH IP
IPSET 1 ; save previous priority and set priority to 1
....critical section...
POP IP  ; restore previous priority
```

The following instructions are also privileged.

```
LD A,xpc
LD xpc,a
BIT B,(HL)
```

3.5.5 Semaphores Using Bit B,(HL)

The `bit B, (HL)` instruction is privileged to allow the construction of a semaphore by the following code.

```
BIT B,(HL) ; test a bit in the byte at (HL)
SET B,(HL) ; make sure bit set, does not affect flag
; if zero flag set the semaphore belongs to us;
; otherwise someone else has it
```

A semaphore is used to gain control of a resource that can only belong to one task or program at a time. This is done by testing a bit to see if it is on, in which case someone else is using the resource, otherwise setting the bit to indicate ownership of the resource. No interrupt can be allowed between the test of the bit and the setting of the bit as this might allow two different program to both think they own the resource.

3.5.6 Computed Long Calls and Jumps

The instruction to set the XPC is privileged to so that a computed long call or jump can be made. This would be done by the following sequence.

```
LD xpc, a
JP (HL)
```

In this case, A has the new XPC, and HL has the new PC. This code should normally be executed in the root segment so as not to pull the memory out from under the JP (HL) instruction.

A call to a computed address can be performed by the following code.

```
; A=xpc, IY=address
;
LD A,newxpc
LD IY,newaddress
LCALL DOCALL ; call utility routine in the root
;
; The DOCALL routine
DOCALL:
LD xpc, a ; SET xpc
JP (IY) ; go to the routine
```


Pulse width modulated outputs—The minimum pulse width is 10 μ s. If the repetition rate is 10 ms, then a new pulse with 1000 different widths can be generated at the rate of 100 times per second.

Asynchronous communications serial output—Asynchronous output data can be generated with a new pulse every 10 μ s. This corresponds to a baud rate of 100,000 bps.

Asynchronous communications serial input—To capture asynchronous serial input, the input must be polled faster than the baud rate, a minimum of three times faster, with five times being better. If five times polling is used, then asynchronous input at 20,000 bps could be received.

Generating pulses with precise timing relationships—The relationship between two events can be controlled to within 10 μ s to 20 μ s.

Using a timer to generate a periodic clock allows events to be controlled to a precision of approximately 10 μ s. However, if Timer B is used to control the output registers, a precision approximately 100 times better can be achieved. This is because Timer B has a match register that can be programmed to generate a pulse at a specified future time. The match register has two cascaded registers, the match register and the next match register. The match register is loaded with the contents of the next match register when a pulse is generated. This allows events to be very close together, one count of Timer B. Timer B can be clocked by `sysclk/2` divided by a number in the range of 1–256. Timer B can count as fast as 10 MHz with a 20 MHz system clock, allowing events to be separated by as little as 100 ns. Timer B and the match registers have 10 bits.

Using Timer B, output pulses can be positioned to an accuracy of `clk/2`. Timer B can also be used to capture the time at which an external event takes place in conjunction with the external interrupt line. The interrupt line can be programmed to interrupt on either rising, falling or both edges. To capture the time of the edge, the interrupt routine can read the Timer B counter. The execution time of the interrupt routine up to the point where the timer is read can be subtracted from the timer value. If no other interrupt is of the same or higher priority, then the uncertainty in the position of the edge is reduced to the variable time of the interrupt latency, or about one-half the execution time of the longest instruction. This uncertainty is approximately 10 clocks, or 0.5 μ s for a 20 MHz clock. This enables pulse width measurements for pulses of any length, with a precision of about 1 μ s. If multiple pulses need to be measured simultaneously, then the precision will be reduced, but this reduction can be minimized by careful programming.

4.1.1 Pulse Width Modulation to Reduce Relay Power

Typically relays need far less current to hold them closed than is needed to initially close them. For example, if the driver is switched to a 75% duty cycle using pulse width modulation after the initial period when the relay armature is picked, the holding current will be approximately 75% of the full duty-cycle current and the power consumption will be about 56% as great.

4.2 Open-Drain Outputs Used for Key Scan

The Parallel Port D outputs can be individually programmed to be open drain. This is useful for scanning a switch matrix, as shown in Figure 4-2. A row is driven low, then the columns are scanned for a low input line, which indicates a key is closed. This is repeated for each row. The advantage of using open-drain outputs is that if two keys in the same column are depressed, there will not be a fight between a driver driving the line high and another driver driving it low.

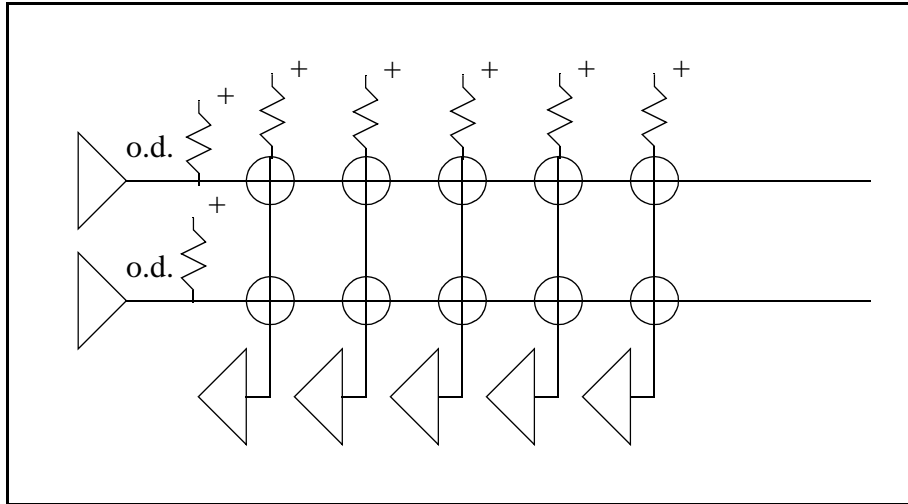


Figure 4-2. Using Open-Drain Outputs for Key Scan

4.3 Cold Boot

Most microprocessors start executing at a fixed address, often address zero, after a reset or power-on condition. The Rabbit has two mode pins (SMODE0, SMODE1—see Figure 5-1). The logic state of these two pins determines the startup procedure after a reset. If both pins are grounded, then the Rabbit starts executing instructions at address zero. On reset, address zero is defined to be the start of the memory connected to the memory control lines /CS0, and /OE0. However, three other startup modes are available. These alternate methods all involve accepting a data stream via a communications port that is used to store a boot program in a RAM memory, which in turn can be used to start any further secondary boot process, such as downloading a program over the same communications port. (For a detailed description, see Section 7.11, “Bootstrap Operation.”)

Three communication channels may be used for the bootstrap, either Serial Port A in asynchronous mode at 2400 bps, Serial Port A in synchronous mode with an external clock, or the (parallel) slave port.

The cold-boot protocol accepts groups of three bytes that define an address and a data byte. Each triplet causes a write of the data byte to either memory or to internal I/O space. The high bit of the address is set to specify the I/O space, and thus writes are limited to the first 32K of either space. The cold boot is terminated by a store to an address in I/O space, which causes execution to begin at address zero. Since any memory chip can be remapped to address zero by storing in the I/O space, RAM can be temporarily be mapped to zero to avoid having to deal with the more complicated write protocol of flash memory, which is the usual default memory located at address zero.

The following are the advantages of the cold-boot capability.

- Flash memory can be soldered to the microprocessor board and programmed via a serial port or a parallel port. This avoids having to socket the part or program it with a BIOS or boot program before soldering.
- Complete reprogramming of the flash memory can be accomplished in the field. This is particularly useful during software development when the development platform can perform a complete reload of software regardless of the state of the existing software in the processor. The standard programming cable for Dynamic C allows the development platform to reset and cold boot the target, a Rabbit-based microprocessor board.
- If the Rabbit is used as a slave processor, the master processor can cold boot it over via the slave port. This means the slave can operate without any nonvolatile memory. Only RAM is required.

4.4 The Slave Port

The slave port allows a Rabbit to act as a slave to another processor, which can also be a Rabbit. The slave has to have only a processor chip, a RAM chip, and clock and reset signals that can be supplied by the master. The master can cold boot and download a program to the slave. The master does not have to be a Rabbit processor, but can be any type of processor capable of reading and writing standard registers.

For a detailed description, see Chapter 13, "Rabbit Slave Port."

The slave processor's slave port is connected to the master processor's data bus. Communication between the master and the slave takes place via three registers, implemented in the Rabbit, for each direction of communication, for a total of six data registers. In addition, there is a slave port status register that can be read by either the master or the slave (see Figure 13-1). Two slave address lines are used by the master to select the register to be read or written. The registers that carry data from the master to the slave appear as write registers to the master and as read registers to the slave. The registers that operate in the opposite direction appear as read registers to the master and as write registers to the slave. These registers appear as read-write registers on both sides, but are not true read-write registers since different data may be read from what is written. The master provides the clock or strobe to store data in the three write registers under its control. The master also can do a write to the status register, which is used as a signaling device and does not actually write to the status register. The three registers that the master can write appear as read registers to the slave Rabbit. The master provides an enable strobe to read the three read data registers and the status register. These registers are write registers to the Rabbit.

The first register or the three pairs of registers is special in that writing can interrupt the other processor in the master-slave communications link. An output line from the slave is asserted when the slave writes to slave register zero. This line can be used to interrupt the master. Internal circuits in the slave can be setup up to interrupt the slave when the master writes to slave register zero.

The status register that is available to both sides keeps score on all the registers and reports if a potential interrupt is requested by either side. The status register keeps track of the "full-empty" status of each register. A register is considered full when one side of the link writes to it. It becomes empty if the other side reads it. In this way either side can test if the other side has modified a register or whether either side has even stored the same information to a register.

The master-slave communication link makes possible "set and forget" communication protocols. Either side can issue a command or request by storing data in some register and then go about its business while the other side takes care of the request according to its own time schedule. The other side can be alerted by an interrupt that takes place when a store is made to register zero, or it can alert itself by a periodic poll of the status register.

Of the three registers seen by each side for each direction of communication, the first register, slave register zero, has a special function because an interrupt can only be generated by a write to this register, which then causes an interrupt to take place on the other side of the link if the interrupt is enabled. One type of protocol is to store data first in registers 1 and 2, and then as the last step store to register 0. Then 24 bits of data will be available to the interrupt routine on the other side of the link.

Bulk data transfers across the link can take place by an interrupt for each byte transferred, similar to a typical serial port or UART. In this case, a full-duplex transfer can take place, similar to what can be done with a UART. The overhead for such an interrupt-driven transfer will be on the order of 100 clocks per byte transferred, assuming a 20-instruction interrupt routine. (To keep the interrupt routine to 20 instructions, the interrupt routine needs to be very focused as opposed to general purpose.) Several methods are available to cater to a faster transfer with less computing overhead. There are enough registers to transfer two bytes on each interrupt, thus nearly halving the overhead. If a rendezvous is arranged between the processors, data can be transferred at approximately 25 clocks per byte. Each side polls the status register waiting for the other side to read/write a data register, which is then written/read again by the other side.

4.4.1 Slave Rabbit As A Protocol UART

A prime application for the Rabbit used as a slave is to create a 4-port UART that can also handle the details of a communication protocol. The master sends and receives messages over the slave port. Error correction, retransmission, etc., can be handled by the slave.



5. PIN ASSIGNMENTS AND FUNCTIONS

5.1 LQFP Package

5.1.1 Pinout

Rabbit 3000 (AT56C55-IL1T, IL2T)

128-pin Low-Profile Quad Flat Pack (LQFP)

14 × 14 Body, 0.4 mm pitch

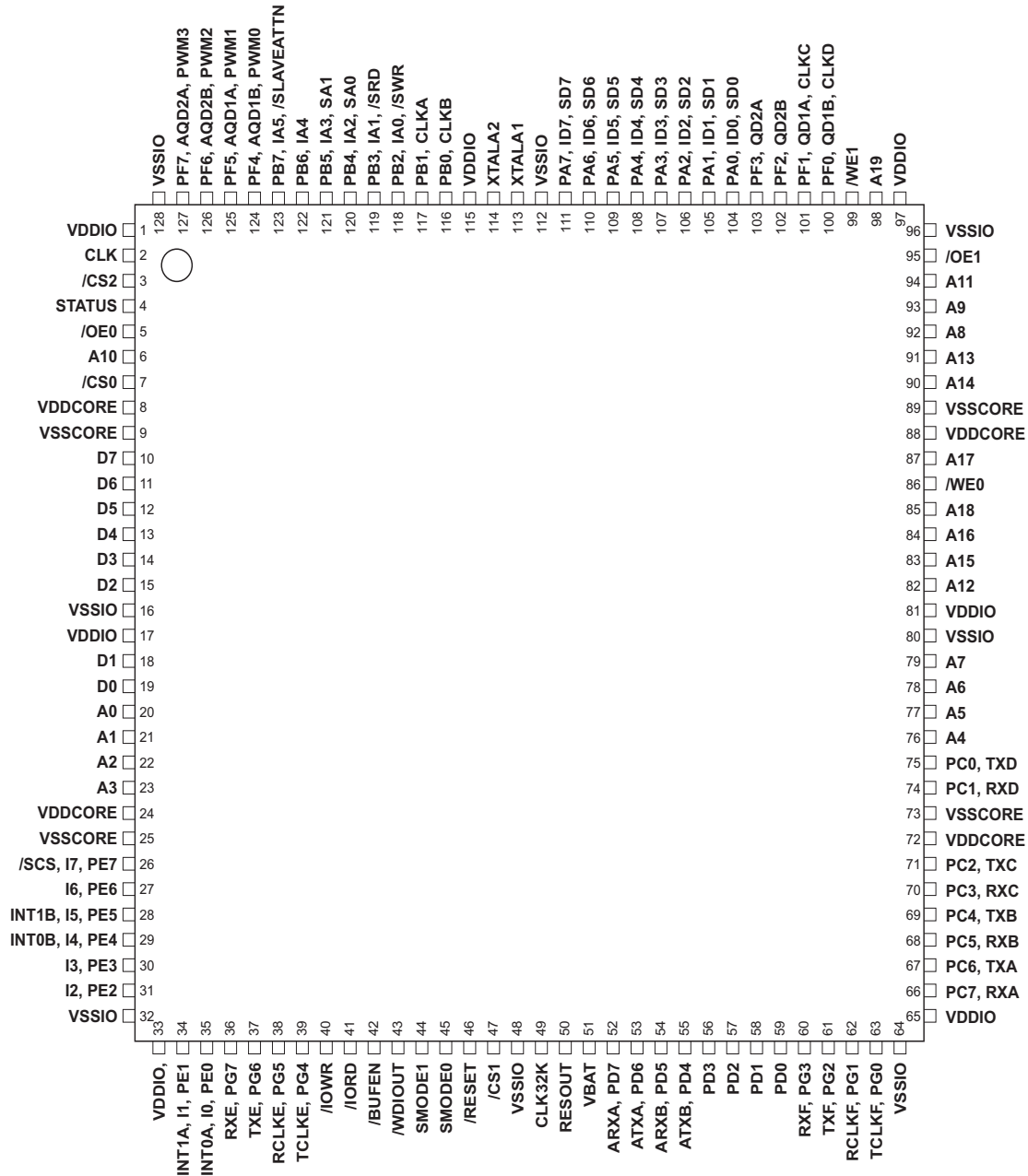


Figure 5-1. Package Outline and Pin Assignments

5.1.2 Mechanical Dimensions and Land Pattern

Figure 5-2 shows the mechanical dimensions of the Rabbit 3000 LQFP package.

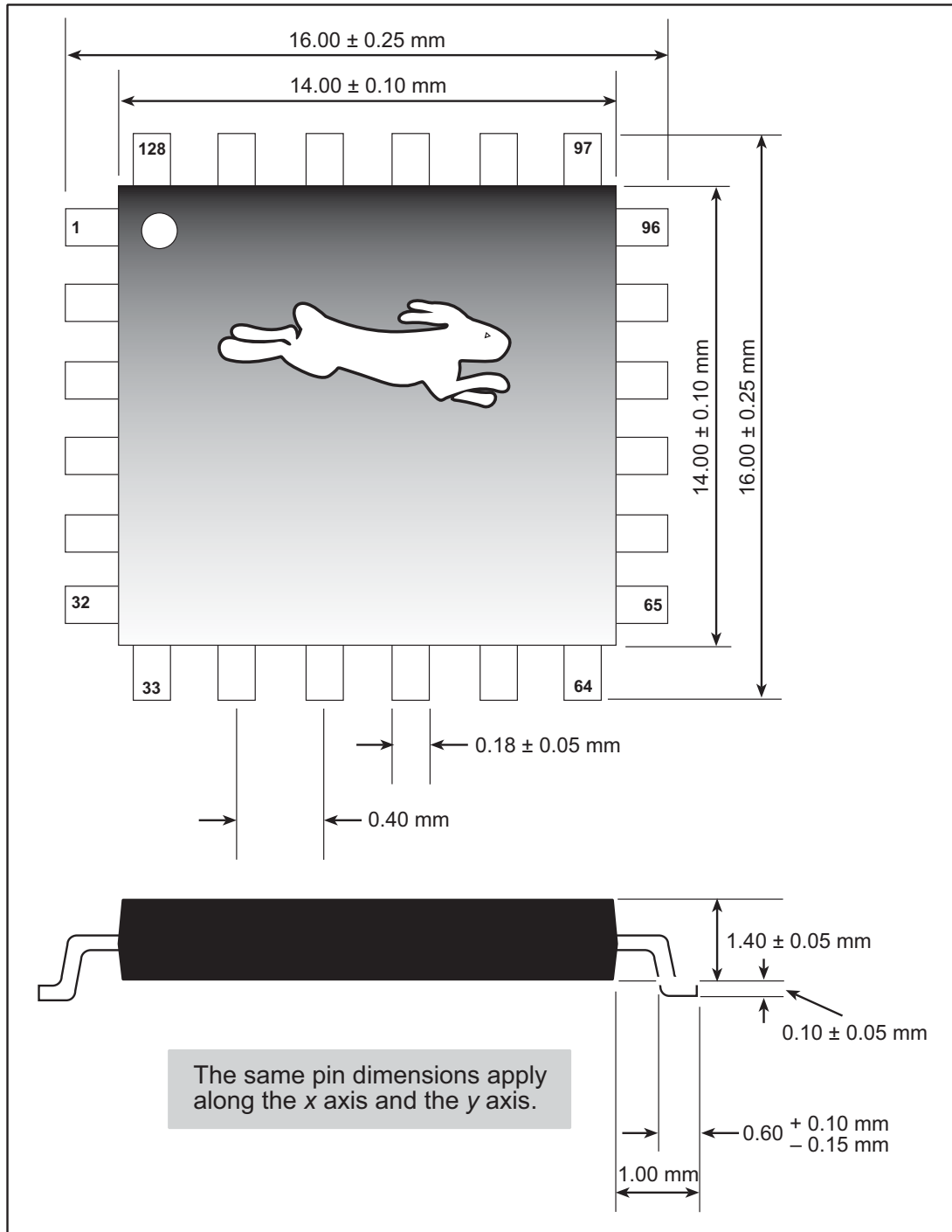


Figure 5-2. Mechanical Dimensions Rabbit LQFP Package

Figure 5-3 shows the PC board land pattern for the Rabbit 3000 chip in a 128-pin LQFP package. This land pattern is based on the IPC-SM-782 standard developed by the Surface Mount Land Patterns Committee and specified in *Surface Mount Design and Land Pattern Standard*, IPC, Northbrook, IL, 1999.

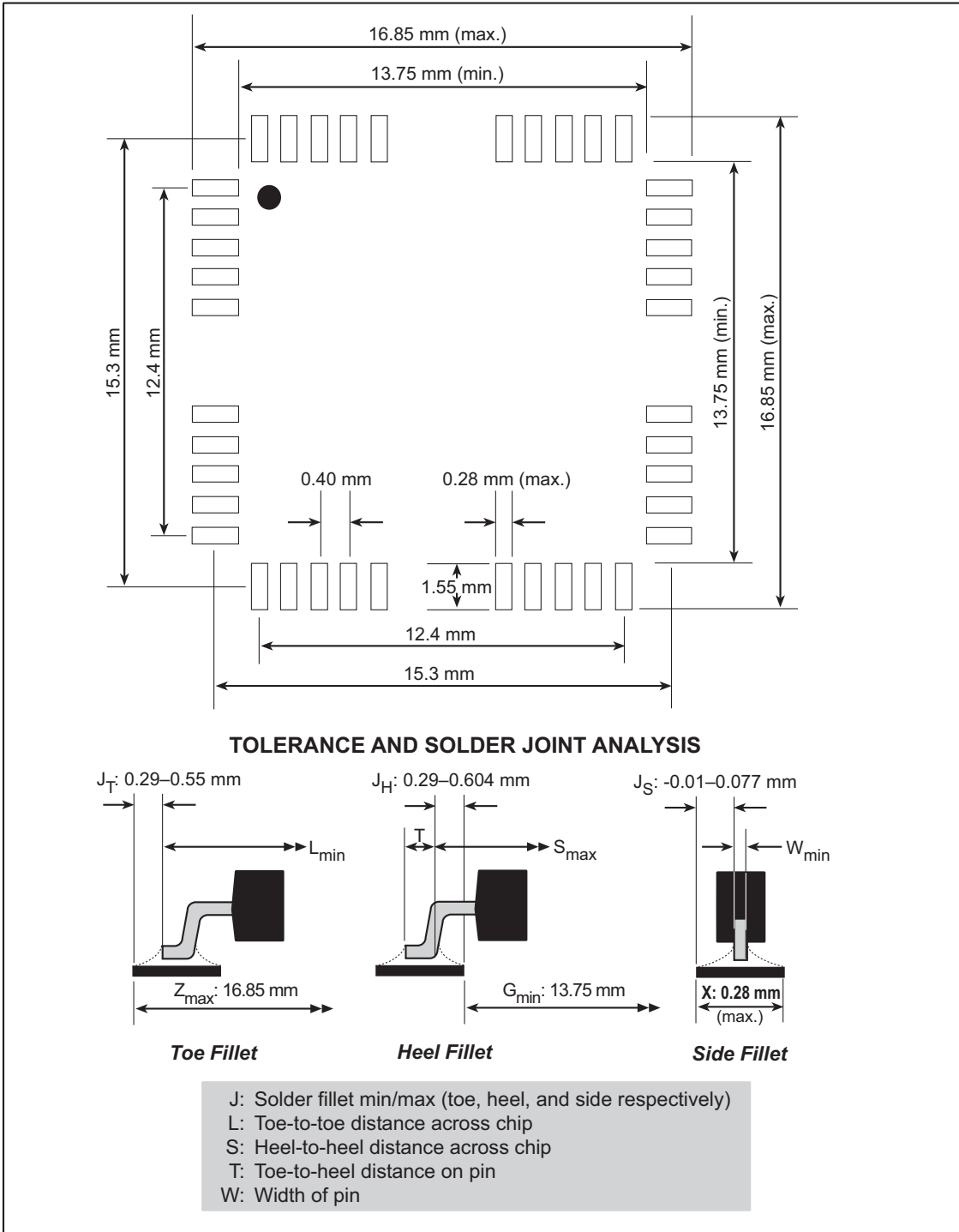


Figure 5-3. PC Board Land Pattern for Rabbit 3000 128-pin LQFP

5.2 Ball Grid Array Package

5.2.1 Pinout

Rabbit 3000 (AT56C55-IZ1T, IZ2T)

128-pin Thin Map Ball Grid Array (TFBGA)

10 × 10 Body, 0.8 mm pitch

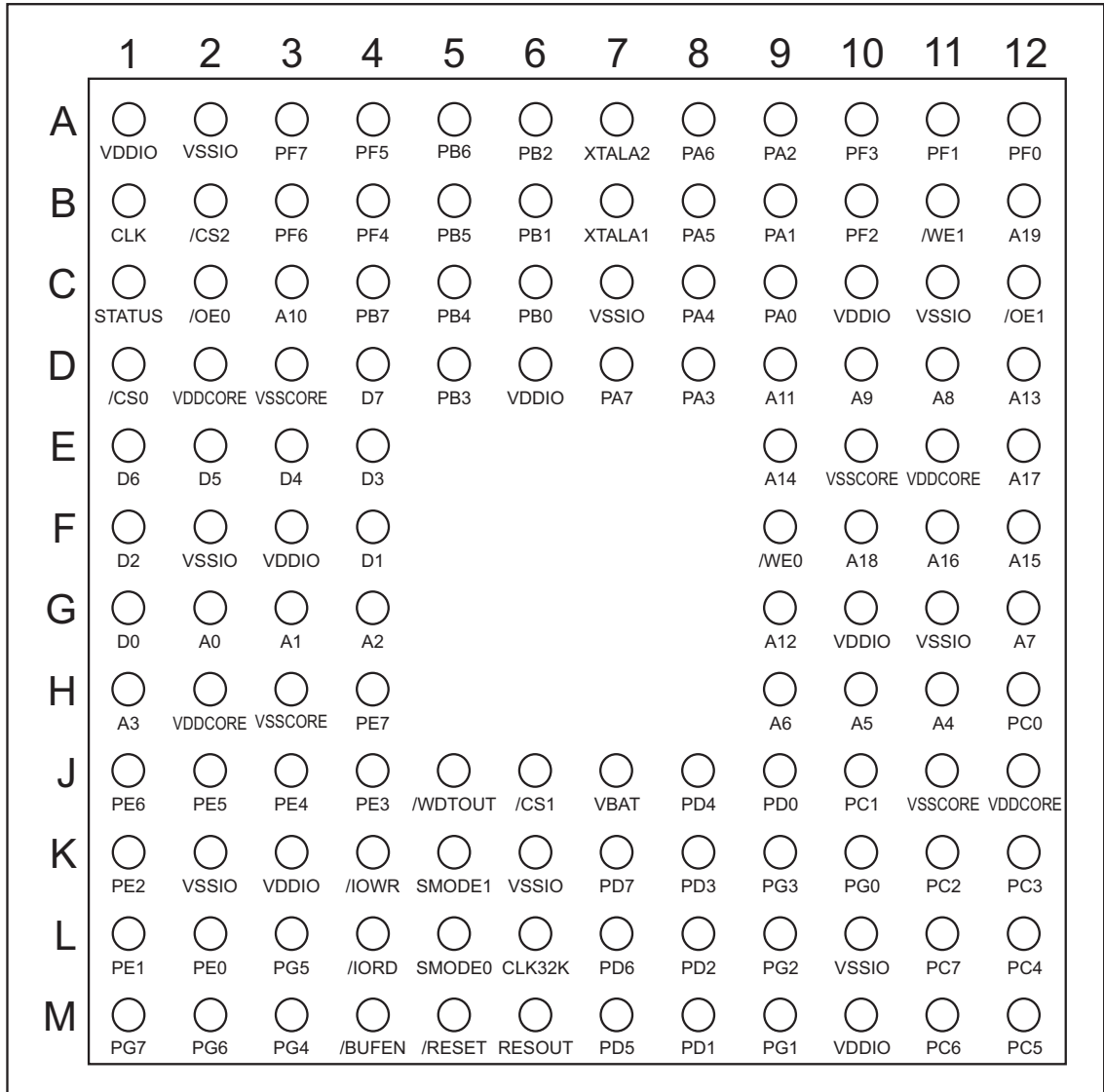


Figure 5-4. Ball Grid Array Pinout Looking Through the Top of Package

5.2.2 Mechanical Dimensions and Land Pattern

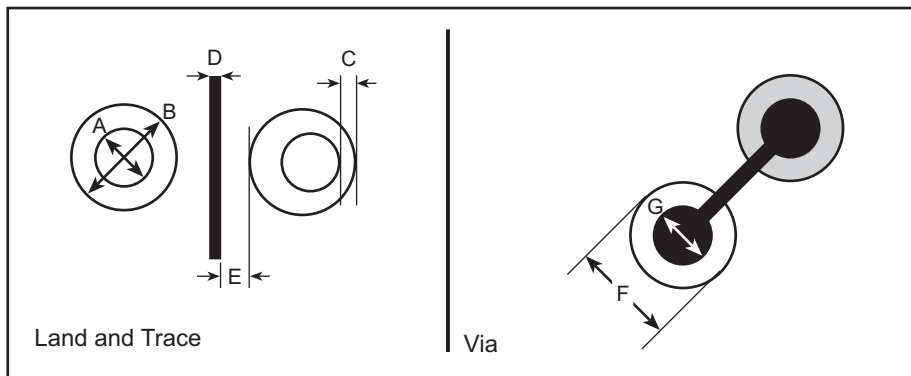
Table 5-2. Ball and Land Size Dimensions

Nominal Ball Diameter (mm)	Tolerance Variation (mm)	Ball Pitch (mm)	Nominal Land Diameter (mm)	Land Variation (mm)
0.3	0.35–0.25	0.8	0.25	0.25–0.20

The design considerations in Table 5-3 are based on 5 mil design rules and assume a single conductor between solder lands.

**Table 5-3. Design Considerations
(all dimensions in mm)**

Key	Feature	Recommendation
A	Solder Land Diameter	0.254 (0.010)
B	NSMD Defined Land Diameter	0.406 (0.016)
C	Land to Mask Clearance (min.)	0.050 (0.002)
D	Conductor Width (max.)	0.127 (0.005)
E	Conductor Spacing (typ.)	0.127 (0.005)
F	Via Capture Pad (max.)	0.406 (0.016)
G	Via Drill Size (max.)	0.254 (0.010)



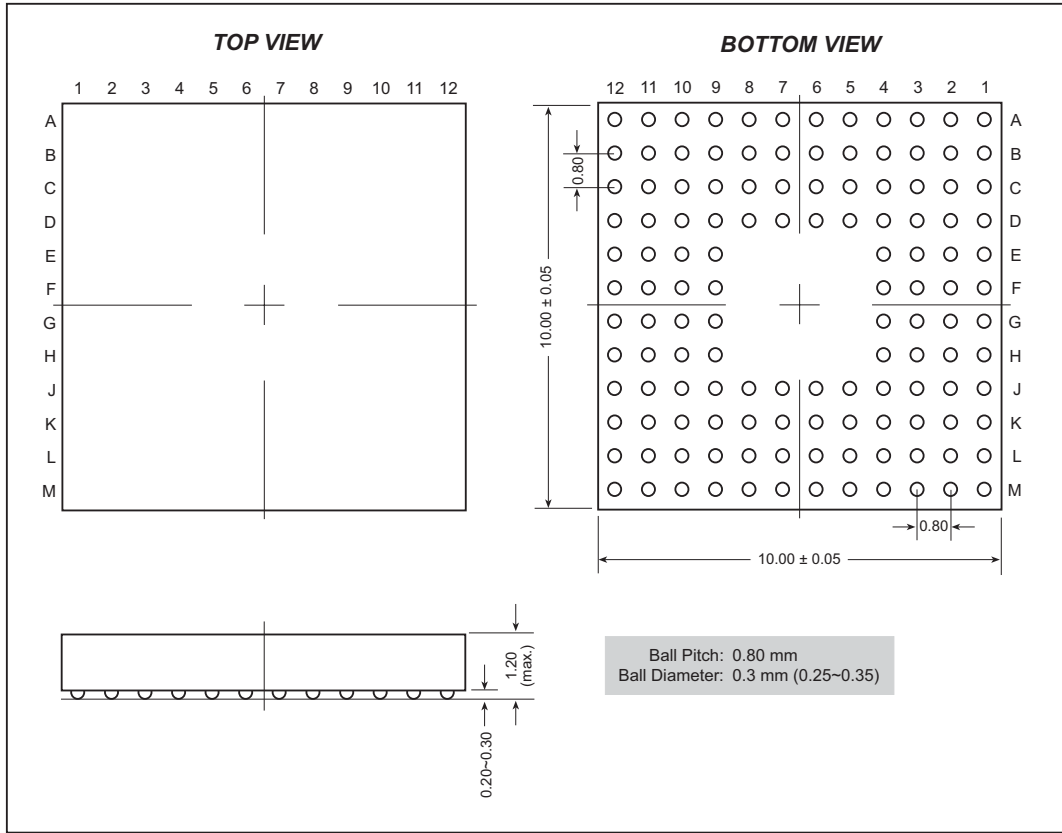


Figure 5-5. BGA Package Outline

5.3 Rabbit Pin Descriptions

Table 5-1 lists all the pins on the device, along with their direction, function, and pin number on the package.

Table 5-1. Rabbit Pin Descriptions

Pin Group	Pin Name	Direction	Function	Pin Numbers LQFP	Pin Numbers TFBGA
Hardware	CLK	Output	Internal Clock	2	B1
	CLK32K	Input	32 kHz Oscillator In	49	L6
	/RESET	Input	Master Reset	46	M5
	RESOUT	Output	Reset Output	50	M6
	XTALA1	Input	Main Oscillator In—if an external clock is used, this pin should be driven by the external clock; see Technical Note TN235 for more information on external oscillator circuits	113	B7
	XTALA2	Output	Main Oscillator Out	114	A7
CPU Buses	ADDR[19:0]	Output	Address Bus	various	
	DATA[7:0]	Bidirectional	Data Bus	10–15, 18–19	D4, E1–E4, F1, F4, G0
Status/Control	/WDTOUT	Output	WDT Time-Out	43	J5
	STATUS	Output	Instruction Fetch First Byte	4	C1
	SMODE[1:0]	Input	Bootstrap Mode Select	44, 45	K5, L5
Memory Chip Selects	/CS0	Output	Memory Chip Select 0	7	D1
	/CS1	Output	Memory Chip Select 1	47	J6
	/CS2	Output	Memory Chip Select 2	3	B2
Memory Output Enables	/OE0	Output	Memory Output Enable 0	5	C2
	/OE1	Output	Memory Output Enable 1	95	C12
Memory Write Enables	/WE0	Output	Memory Write Enable 0	86	F9
	/WE1	Output	Memory Write Enable 1	99	B11
I/O Control	/BUFEN	Output	I/O Buffer Enable	42	M4
	/IORD	Output	I/O Read Enable	41	L4
	/IOWR	Output	I/O Write Enable	40	K4

Table 5-1. Rabbit Pin Descriptions (continued)

Pin Group	Pin Name	Direction	Function	Pin Numbers LQFP	Pin Numbers TFBGA
I/O ports	PA[7:0]	Input / Output	I/O Port A	111–104	D7, A8, B8, C8, D8, A9, B9, C9
I/O ports (continued)	PB[7:0]	Input / Output	I/O Port B	123–116	C4, A5, B5, C5, D5, A6, B6, C6
	PC[7:0]	4 In / 4 Out	I/O Port C	66–71, 74, 75	L11, M11, M12, L12, K12, K11, J10, H12
	PD[7:0]	Input / Output	I/O Port D	52–59	K7, L7, M7, J8, K8, L8, M8, J9
	PE[7:0]	Input / Output	I/O Port E	26–31, 34, 35	H4, J1–J4, K1, L1–L2
	PF[7:0]	Input / Output	I/O Port F	127–124, 103–100	A3, B3, A4, B4, A10, B10, A11, A12
	PG[7:0]	Input / Output	I/O Port G	36–38, 60–63	M1, M2, L3, M3, K9, L9, M9, K10
Power, processor core	VDDCORE		+3.3 V	8, 24, 72, 88	D2, E11, H2, J12
Power Processor I/O Ring	VDDIO		+3.3 V	1, 17, 33, 65, 81, 97, 115	A1, C10, D6, F3, G10, K3, M10
Power Battery Backup	VBAT		+3.3 V or battery	51	J7
Ground Processor Core	VSSCORE		Ground	9, 25, 73, 89	D3, E10, H3, J11
Ground Processor I/O Ring	VSSIO		Ground	16, 32, 48, 64, 80, 96, 112, 128	A2, C7, C11, F2, G11, K2, K6, L10

5.4 Bus Timing

The external bus has essentially the same timing for memory cycles or I/O cycles. A memory cycle begins with the chip select and the address lines. One clock later, the output enable is asserted for a read. The output data and the write enable are asserted for a write.

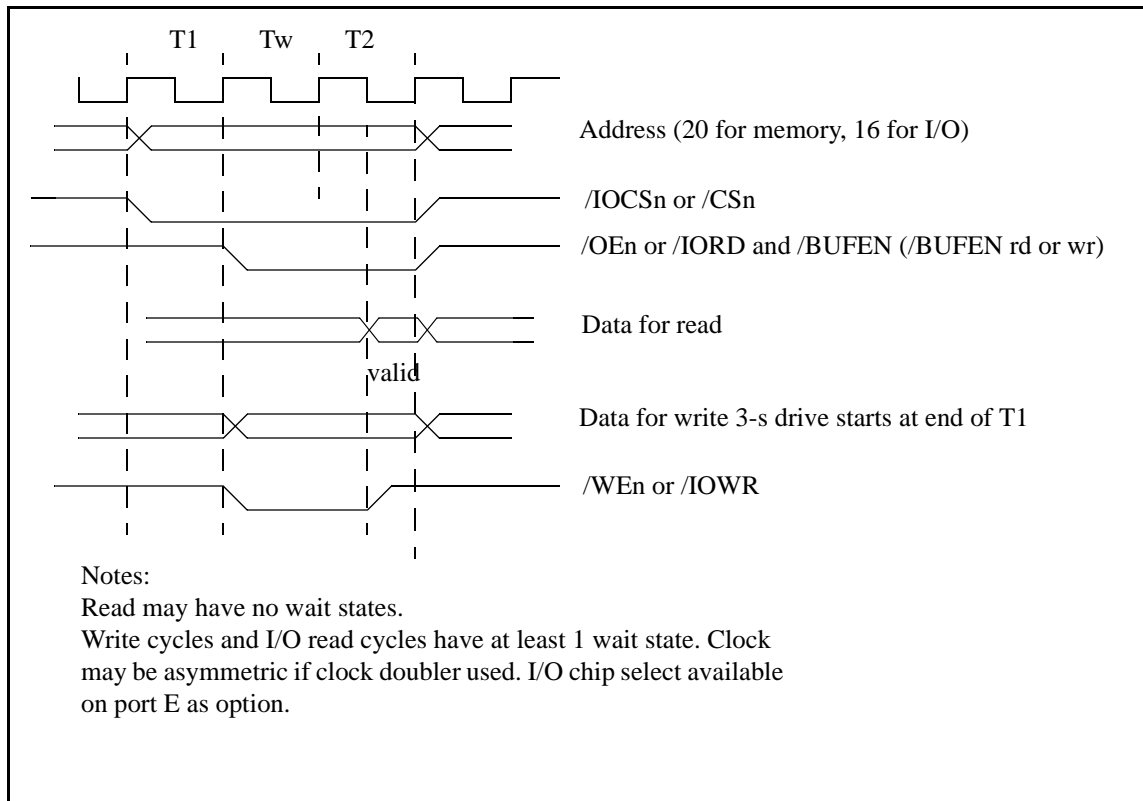


Figure 5-6. Bus Timing Read and Write

In some cases, the timing shown in Figure 5-6 may be prefixed by a false memory access during the first clock, which is followed by the access sequence shown in Figure 5-6. In this case, the address and often the chip select will change values after one clock and assume the final values for the memory to be actually accessed. Output enable and write enable are always delayed by one clock from the time the final, stable address and chip select are enabled. Normally the false memory access attempts to start another instruction access cycle, which is aborted after one clock when the processor realizes that a read data or write data bus cycle is needed. The user should not attempt a design that uses the chip select or a memory address as a clock or state changing signal without taking this into consideration.

5.5 Description of Pins with Alternate Functions

Table 5-2. Pins With Alternate Functions

Pin Name	Output Function	Input Function	Input Capture Option
PA[7:0]	SLAVE D[7:0], ID[7:0]	SLAVE D[7:0], ID[7:0]	
PB7	SLAVEATTN, IA5		
PB6	IA4	/ASCS*	
PB5	IA3	SD1	
PB4	IA2	SD0	
PB3	IA1	/SRD	
PB2	IA0	/SWR	
PB1	CLKA	CLKA	
PB0	CLKB	CLKB	
PC7	n/a	RXA	yes
PC6	TXA	n/a	
PC5	n/a	RXB	yes
PC4	TXB	n/a	
PC3	n/a	RXC	yes
PC2	TXC	n/a	
PC1	n/a	RXD	yes
PC0	TXD	n/a	
PD7	APWM3*	ARXA	yes
PD6	ATXA		
PD5	APWM2*	ARXB	yes
PD4	ATXB		
PD3			yes
PD2			
PD1			yes
PD0			
PE7	I7	/SCS (slave chip select)	
PE6	I6		
PE5	I5	INT1B	
PE4	I4	INT0B	
PE3	I3		
PE2	I2		
PE1	I1	INT1A	
PE0	I0	INT0A	

Table 5-2. Pins With Alternate Functions (continued)

Pin Name	Output Function	Input Function	Input Capture Option
PF7	PWM3	AQD2A	yes
PF6	PWM2	AQD2B	
PF5	PWM1	AQD1A	yes
PF4	PWM0	AQD1B	
PF3		QD2A	yes
PF2		QD2B	
PF1	CLKC	QD1A, CLKC	yes
PF0	CLKD	QD1B, CLKD	
PG7	APWM1 [*]	RXE	yes
PG6	TXE		
PG5	RCLKE	RCLKE, ARXE [*]	yes
PG4	TCLKE	TCLKE, ARCLKE [*]	
PG3	APWM0 [*]	RXF	
PG2	TXF		
PG1	RCLKF	RCLKF, ARXF [*]	
PG0	TCLKF	TCLKF, ARCLKF [*]	

* Introduced with Rabbit 3000A chip

The alternate output functions identified in Table 5-2 are configured by setting the appropriate bits in the Parallel Port x Function Register.

Table 5-3. Parallel Port x Alternate Functions

Parallel Port x Function Register		
		(PCFR) (Address = 0x0055)
		(PDFR) (Address = 0x0065)
		(PEFR) (Address = 0x0075)
		(PFFR) (Address = 0x003D)
		(PGFR) (Address = 0x004D)
Bit(s)	Value	Description
7:0	0	The corresponding port bit functions normally.
	1	The corresponding port bit carries its alternate signal as an output. See Table 5-4 below. Only the bits that have alternate functions listed in Table 5-4 actually have a control bit in these registers. That is, there are four in Port C, four in Port D, eight in Port E, four in Port F, and eight in Port G.

Table 5-4. Parallel Port x Alternate Functions Control Bits

Alternate Output Function						
Bit	Port B	Port C	Port D	Port E	Port F	Port G
7	/SLAVEATTN, IA5		APWM3	I7	PWM3	APWM1
6	IA4	TXA	ATXA	I6	PWM2	TXE
5	IA3		APWM2	I5	PWM1	RCLKE
4	IA2	TXB	ATXB	I4	PWM0	TCLKE
3	IA1			I3		APWM0
2	IA0	TXC		I2		TXF
1	CLKA			I1	CLKC	RCLKF
0	CLKB	TXD		I0	CLKD	TCLKF

5.6 DC Characteristics

Table 5-5. Rabbit 3000 Absolute Maximum Ratings

Symbol	Parameter	Maximum Rating
T_A	Operating Temperature	-55° to +85°C
T_S	Storage Temperature	-65° to +150°C
	Maximum Input Voltage: <ul style="list-style-type: none"> • Oscillator Buffer Input • 5-V-tolerant I/O 	$V_{DD} + 0.5\text{ V}$ 5.5 V
V_{DD}	Maximum Operating Voltage	3.6 V

Stresses beyond those listed in Table 5-5 may cause permanent damage. The ratings are stress ratings only, and functional operation of the Rabbit 3000 chip at these or any other conditions beyond those indicated in this section is not implied. Exposure to the absolute maximum rating conditions for extended periods may affect the reliability of the Rabbit 3000 chip.

Table 5-6 outlines the DC characteristics for the Rabbit 3000 at 3.3 V over the recommended operating temperature range from $T_A = -55^\circ\text{C}$ to $+85^\circ\text{C}$, $V_{DD} = 3.0\text{ V}$ to 3.6 V .

Table 5-6. 3.3 Volt DC Characteristics

Symbol	Parameter	Test Conditions	Min	Typ	Max	Units
V_{DD}	Supply Voltage		3.0	3.3	3.6	V
V_{IH}	High-Level Input Voltage		2.0			V
V_{IL}	Low-Level Input Voltage				0.8	V
V_{OH}	High-Level Output Voltage	$I_{OH} = 6.8\text{ mA}$, $V_{DD} = V_{DD}(\text{min})$	$0.7 \times V_{DD}$			V
V_{OL}	Low-Level Output Voltage	$I_{OL} = 6.8\text{ mA}$, $V_{DD} = V_{DD}(\text{min})$			0.4	V
I_{IH}	High-Level Input Current (absolute worst case, all buffers)	$V_{IN} = V_{DD}$, $V_{DD} = V_{DD}(\text{max})$			10	μA
I_{IL}	Low-Level Input Current (absolute worst case, all buffers)	$V_{IN} = V_{SS}$, $V_{DD} = V_{DD}(\text{max})$	-10			μA
I_{OZ}	High-Impedance State Output Current (absolute worst case, all buffers)	$V_{IN} = V_{DD}$ or V_{SS} , $V_{DD} = V_{DD}(\text{max})$, no pull-up	-10		10	μA

5.7 I/O Buffer Sourcing and Sinking Limit

Unless otherwise specified, the Rabbit I/O buffers are capable of sourcing and sinking 6.8 mA of current per pin at full AC switching speeds. The limits are related to the maximum sustained current permitted by the metallization on the die.



6. RABBIT INTERNAL I/O REGISTERS

Table 6-1. Rabbit 3000 Peripherals and Interrupt Service Vectors

On-Chip Peripheral	ISR Starting Address
System Management	{IIR[7:1], 0, 0x00}
Memory Management	No interrupts
Slave Port	{IIR[7:1], 0, 0x80}
Parallel Port A	No interrupts
Parallel Port F	No interrupts
Parallel Port B	No interrupts
Parallel Port G	No interrupts
Parallel Port C	No interrupts
Input Capture	{IIR[7:1], 1, 0xA0}
Parallel Port D	No interrupts
Parallel Port E	No interrupts
External I/O Control	No interrupts
Pulse Width Modulator	No interrupts
Quadrature Decoder	{IIR[7:1], 1, 0x90}
External Interrupts	INT0 {EIR, 0x00} INT1 {EIR, 0x10}
Timer A	{IIR[7:1], 0, 0xA0}
Timer B	{IIR[7:1], 0, 0xB0}
Serial Port A (async/cks)	{IIR[7:1], 0, 0xC0}
Serial Port E (async/hdlc)	{IIR[7:1], 1, 0xC0}
Serial Port B (async/cks)	{IIR[7:1], 0, 0xD0}
Serial Port F (async/hdlc)	{IIR[7:1], 1, 0xD0}
Serial Port C (async/cks)	{IIR[7:1], 0, 0xE0}
Serial Port D (async/cks)	{IIR[7:1], 0, 0xF0}
RST 10 instruction	{IIR[7:1], 0, 0x20}
RST 18 instruction	{IIR[7:1], 0, 0x30}
RST 20 instruction	{IIR[7:1], 0, 0x40}
RST 28 instruction	{IIR[7:1], 0, 0x50}
RST 38 instruction	{IIR[7:1], 0, 0x70}

6.1 Default Values for all the Peripheral Control Registers

The default values for all of the peripheral control registers are shown in Table 6-2. The registers within the CPU affected by reset are the Stack Pointer (SP), the Program Counter (PC), the IIR register, the EIR register, and the IP register. The IP register is set to all ones (disabling all interrupts), while all of the other listed CPU registers are reset to all zeros.

Table 6-2. Rabbit Internal I/O Registers

Register Name	Mnemonic	I/O Address	R/W	Reset
Global Control/Status Register	GCSR	0x00	R/W	11000000
Global Clock Modulator 0 Register	GCM0R	0x0A	W	00000000
Global Clock Modulator 1 Register	GCM1R	0x0B	W	00000000
Global Power Save Control Register	GPSCR	0x0D	W	0000x000
Global Output Control Register	GOCR	0x0E	W	00000000
Global Clock Double Register	GCDR	0x0F	W	00000000
MMU Instruction/Data Register	MMIDR	0x10	R/W	00000000
MMU Common Base Register	STACKSEG	0x11	R/W	00000000
MMU Bank Base Register	DATASEG	0x12	R/W	00000000
MMU Common Bank Area Register	SEGSIZE	0x13	R/W	11111111
Memory Bank 0 Control Register	MB0CR	0x14	W	00001000
Memory Bank 1 Control Register	MB1CR	0x15	W	xxxxxxx
Memory Bank 2 Control Register	MB2CR	0x16	W	xxxxxxx
Memory Bank 3 Control Register	MB3CR	0x17	W	xxxxxxx
MMU Expanded Code Register	MECR	0x18	R/W	xxxxx000
Memory Timing Control Register	MTCR	0x19	W	xxxx0000
Breakpoint/Debug Control Register	BDCR	0x1C	W	0xxxxxxx
Slave Port Data 0 Register	SPD0R	0x20	R/W	xxxxxxx
Slave Port Data 1 Register	SPD1R	0x21	R/W	xxxxxxx
Slave Port Data 2 Register	SPD2R	0x22	R/W	xxxxxxx
Slave Port Status Register	SPSR	0x23	R	00000000
Slave Port Control Register	SPCR	0x24	R/W	0xx00000
Global ROM Configuration Register	GROM	0x2C	R	0xx00000
Global RAM Configuration Register	GRAM	0x2D	R	0xx00000
Global CPU Configuration Register	GCPU	0x2E	R	0xx00001

Table 6-2. Rabbit Internal I/O Registers (continued)

Register Name	Mnemonic	I/O Address	R/W	Reset
Global Revision Register	GREV	0x2F	R	0xx00000
Port A Data Register	PADR	0x30	R/W	xxxxxxxx
Port B Data Register	PBDR	0x40	R/W	00xxxxxxxx
Port B Data Direction Register	PBDDR	0x47	W	11000000
Port C Data Register	PCDR	0x50	R/W	x0x1x1x1
Port C Function Register	PCFR	0x55	W	x0x0x0x0
Port D Data Register	PDDR	0x60	R/W	xxxxxxxx
Port D Control Register	PDCR	0x64	W	xx00xx00
Port D Function Register	PDFR	0x65	W	xxxxxxxx
Port D Drive Control Register	PDDCR	0x66	W	xxxxxxxx
Port D Data Direction Register	PDDDR	0x67	W	00000000
Port D Bit 0 Register	PDB0R	0x68	W	xxxxxxxx
Port D Bit 1 Register	PDB1R	0x69	W	xxxxxxxx
Port D Bit 2 Register	PDB2R	0x6A	W	xxxxxxxx
Port D Bit 3 Register	PDB3R	0x6B	W	xxxxxxxx
Port D Bit 4 Register	PDB4R	0x6C	W	xxxxxxxx
Port D Bit 5 Register	PDB5R	0x6D	W	xxxxxxxx
Port D Bit 6 Register	PDB6R	0x6E	W	xxxxxxxx
Port D Bit 7 Register	PDB7R	0x6F	W	xxxxxxxx
Port E Data Register	PEDR	0x70	R/W	xxxxxxxx
Port E Control Register	PECR	0x74	W	xx00xx00
Port E Function Register	PEFR	0x75	W	00000000
Port E Data Direction Register	PEDDR	0x77	W	00000000
Port E Bit 0 Register	PEB0R	0x78	W	xxxxxxxx
Port E Bit 1 Register	PEB1R	0x79	W	xxxxxxxx
Port E Bit 2 Register	PEB2R	0x7A	W	xxxxxxxx
Port E Bit 3 Register	PEB3R	0x7B	W	xxxxxxxx
Port E Bit 4 Register	PEB4R	0x7C	W	xxxxxxxx
Port E Bit 5 Register	PEB5R	0x7D	W	xxxxxxxx
Port E Bit 6 Register	PEB6R	0x7E	W	xxxxxxxx

Table 6-2. Rabbit Internal I/O Registers (continued)

Register Name	Mnemonic	I/O Address	R/W	Reset
Port E Bit 7 Register	PEB7R	0x7F	W	xxxxxxxx
Port F Data Register	PFDR	0x38	R/W	xxxxxxxx
Port F Control Register	PFDR	0x3C	W	xx00xx00
Port F Function Register	PFFR	0x3D	W	xxxxxxxx
Port F Drive Control Register	PFDCR	0x3E	W	xxxxxxxx
Port F Data Direction Register	PFDDR	0x3F	W	00000000
Port G Data Register	PGDR	0x48	R/W	xxxxxxxx
Port G Control Register	PGCR	0x4C	W	xx00xx00
Port G Function Register	PGFR	0x4D	W	xxxxxxxx
Port G Drive Control Register	PGDCR	0x4E	W	xxxxxxxx
Port G Data Direction Register	PGDDR	0x4F	W	00000000
Input Capture Ctrl/Status Register	ICCSR	0x56	R/W	00000000
Input Capture Control Register	ICCR	0x57	W	xxxxxx00
Input Capture Trigger 1 Register	ICT1R	0x58	W	00000000
Input Capture Source 1 Register	ICS1R	0x59	W	xxxxxxxx
Input Capture LSB 1 Register	ICL1R	0x5A	R	xxxxxxxx
Input Capture MSB 1 Register	ICM1R	0x5B	R	xxxxxxxx
Input Capture Trigger 2 Register	ICT2R	0x5C	W	00000000
Input Capture Source 2 Register	ICS2R	0x5D	W	xxxxxxxx
Input Capture LSB 2 Register	ICL2R	0x5E	R	xxxxxxxx
Input Capture MSB 2 Register	ICM2R	0x5F	R	xxxxxxxx
I/O Bank 0 Control Register	IB0CR	0x80	W	000000xx
I/O Bank 1 Control Register	IB1CR	0x81	W	000000xx
I/O Bank 2 Control Register	IB2CR	0x82	W	000000xx
I/O Bank 3 Control Register	IB3CR	0x83	W	000000xx
I/O Bank 4 Control Register	IB4CR	0x84	W	000000xx
I/O Bank 5 Control Register	IB5CR	0x85	W	000000xx
I/O Bank 6 Control Register	IB6CR	0x86	W	000000xx
I/O Bank 7 Control Register	IB7CR	0x87	W	000000xx
PWM LSB 0 Register	PWL0R	0x88	W	xxxxxxxx

Table 6-2. Rabbit Internal I/O Registers (continued)

Register Name	Mnemonic	I/O Address	R/W	Reset
PWM MSB 0 Register	PWM0R	0x89	W	xxxxxxx
PWM LSB 1 Register	PWL1R	0x8A	W	xxxxxxx
PWM MSB 1 Register	PWM1R	0x8B	W	xxxxxxx
PWM LSB 2 Register	PWL2R	0x8C	W	xxxxxxx
PWM MSB 2 Register	PWM2R	0x8D	W	xxxxxxx
PWM LSB 3 Register	PWL3R	0x8E	W	xxxxxxx
PWM MSB 3 Register	PWM3R	0x8F	W	xxxxxxx
Quad Decode Ctrl/Status Register	QDCSR	0x90	R/W	xxxxxxx
Quad Decode Control Register	QDCR	0x91	W	00xx0000
Quad Decode Count 1 Register	QDC1R	0x94	R	xxxxxxx
Quad Decode Count 2 Register	QDC2R	0x96	R	xxxxxxx
Interrupt 0 Control Register	I0CR	0x98	W	xx000000
Interrupt 1 Control Register	I1CR	0x99	W	xx000000
Real Time Clock Control Register	RTCCR	0x01	W	00000000
Real Time Clock Byte 0 Register	RTC0R	0x02	R/W	xxxxxxx
Real Time Clock Byte 1 Register	RTC1R	0x03	R	xxxxxxx
Real Time Clock Byte 2 Register	RTC2R	0x04	R	xxxxxxx
Real Time Clock Byte 3 Register	RTC3R	0x05	R	xxxxxxx
Real Time Clock Byte 4 Register	RTC4R	0x06	R	xxxxxxx
Real Time Clock Byte 5 Register	RTC5R	0x07	R	xxxxxxx
Timer A Control/Status Register	TACSR	0xA0	R/W	00000000
Timer A Prescale Register	TAPR	0xA1	W	xxxxxxx1
Timer A Time Constant 1 Register	TAT1R	0xA3	W	xxxxxxx
Timer A Control Register	TACR	0xA4	W	00000000
Timer A Time Constant 2 Register	TAT2R	0xA5	W	xxxxxxx
Timer A Time Constant 8 Register	TAT8R	0xA6	W	xxxxxxx
Timer A Time Constant 3 Register	TAT3R	0xA7	W	xxxxxxx
Timer A Time Constant 9 Register	TAT9R	0xA8	W	xxxxxxx
Timer A Time Constant 4 Register	TAT4R	0xA9	W	xxxxxxx
Timer A Time Constant 10 Register	TAT10R	0xAA	W	xxxxxxx

Table 6-2. Rabbit Internal I/O Registers (continued)

Register Name	Mnemonic	I/O Address	R/W	Reset
Timer A Time Constant 5 Register	TAT5R	0xAB	W	xxxxxxxx
Timer A Time Constant 6 Register	TAT6R	0xAD	W	xxxxxxxx
Timer A Time Constant 7 Register	TAT7R	0xAF	W	xxxxxxxx
Timer B Control/Status Register	TBCSR	0xB0	R/W	xxxxx000
Timer B Control Register	TBCR	0xB1	W	xxxx0000
Timer B MSB 1 Register	TBM1R	0xB2	W	xxxxxxxx
Timer B LSB 1 Register	TBL1R	0xB3	W	xxxxxxxx
Timer B MSB 2 Register	TBM2R	0xB4	W	xxxxxxxx
Timer B LSB 2 Register	TBL2R	0xB5	W	xxxxxxxx
Timer B Count MSB Register	TBCMR	0xBE	R	xxxxxxxx
Timer B Count LSB Register	TBCLR	0xBF	R	xxxxxxxx
Serial Port A Data Register	SADR	0xC0	R/W	xxxxxxxx
Serial Port A Address Register	SAAR	0xC1	R/W	xxxxxxxx
Serial Port A Long Stop Register	SALR	0xC2	R/W	xxxxxxxx
Serial Port A Status Register	SASR	0xC3	R	0xx00000
Serial Port A Control Register	SACR	0xC4	W	xx000000
Serial Port A Extended Register	SAER	0xC5	W	00000000
Serial Port B Data Register	SBDR	0xD0	R/W	xxxxxxxx
Serial Port B Address Register	SBAR	0xD1	R/W	xxxxxxxx
Serial Port B Long Stop Register	SBLR	0xD2	R/W	xxxxxxxx
Serial Port B Status Register	SBSR	0xD3	R	0xx00000
Serial Port B Control Register	SBCR	0xD4	W	xx000000
Serial Port B Extended Register	SBER	0xD5	W	00000000
Serial Port C Data Register	SCDR	0xE0	R/W	xxxxxxxx
Serial Port C Address Register	SCAR	0xE1	R/W	xxxxxxxx
Serial Port C Long Stop Register	SCLR	0xE2	R/W	xxxxxxxx
Serial Port C Status Register	SCSR	0xE3	R	0xx00000
Serial Port C Control Register	SCCR	0xE4	W	xx000000
Serial Port C Extended Register	SCER	0xE5	W	00000000
Serial Port D Data Register	SDDR	0xF0	R/W	xxxxxxxx

Table 6-2. Rabbit Internal I/O Registers (continued)

Register Name	Mnemonic	I/O Address	R/W	Reset
Serial Port D Address Register	SDAR	0xF1	R/W	xxxxxxxx
Serial Port D Long Stop Register	SDLR	0xF2	R/W	xxxxxxxx
Serial Port D Status Register	SDSR	0xF3	R	0xx00000
Serial Port D Control Register	SDCR	0xF4	W	xx000000
Serial Port D Extended Register	SDER	0xF5	W	00000000
Serial Port E Data Register	SEDR	0xC8	R/W	xxxxxxxx
Serial Port E Address Register	SEAR	0xC9	R/W	xxxxxxxx
Serial Port E Long Stop Register	SELR	0xCA	R/W	xxxxxxxx
Serial Port E Status Register	SESR	0xCB	R	0xx00000
Serial Port E Control Register	SECR	0xCC	W	xx000000
Serial Port E Extended Register	SEER	0xCD	W	00000000
Serial Port F Data Register	SFDR	0xD8	R/W	xxxxxxxx
Serial Port F Address Register	SFAR	0xD9	R/W	xxxxxxxx
Serial Port F Long Stop Register	SFLR	0xDA	R/W	xxxxxxxx
Serial Port F Status Register	SFSR	0xDB	R	0xx00000
Serial Port F Control Register	SFCR	0xDC	W	xx000000
Serial Port F Extended Register	SFER	0xDD	W	00000000
Watchdog Timer Control Register	WDTCR	0x08	W	00000000
Watchdog Timer Test Register	WDTTR	0x09	W	00000000

7. MISCELLANEOUS FUNCTIONS

7.1 Processor Identification

Four read-only registers are provided to allow software to identify the Rabbit microprocessor and recognize the features and capabilities of the chip. Five bits in each of these registers are unique to each version of the chip. One register is reserved for the on-chip flash memory configuration (GROM), one register is reserved for the on-chip RAM memory configuration (GRAM), one register identifies the CPU (GCPU), and the final register is reserved for revision identification (GREV). The Rabbit 3000 does not contain on-chip SRAM or flash memories.

Table 7-1. Global ROM Configuration Register

Global ROM Configuration Register (GROM) (Address = 0x2C)		
Bit(s)	Value	Description
7 (read only)	0	Program fetch as a function of the SMODE pins.
	1	Ignore the SMODE pins program fetch function.
6:5	read	These bits report the state of the SMODE pins.
4:0	00000	ROM identifier for this version of the chip.

Table 7-2. Global RAM Configuration Register

Global RAM Configuration Register (GRAM) (Address = 0x2D)		
Bit(s)	Value	Description
7 (read only)	0	Program fetch as a function of the SMODE pins.
	1	Ignore the SMODE pins program fetch function.
6:5	read	These bits report the state of the SMODE pins.
4:0	00000	RAM identifier for this version of the chip.

Table 7-3. Global CPU Register

Global CPU Register		(GCPU)	(Address = 0x2E)
Bit(s)	Value	Description	
7 (read only)	0	Program fetch as a function of the SMODE pins.	
	1	Ignore the SMODE pins program fetch function.	
6:5	read	These bits report the state of the SMODE pins.	
4:0	00001	CPU identifier for this version of the chip.	

Table 7-4. Global Revision Register

Global Revision Register		(GREV)	(Address = 0x2F)
Bit(s)	Value	Description	
7 (read only)	0	Program fetch as a function of the SMODE pins.	
	1	Ignore the SMODE pins program fetch function.	
6:5	read	These bits report the state of the SMODE pins.	
4:0	00000	Revision identifier for this version of the chip.	

7.2 Rabbit Oscillators and Clocks

The Rabbit 3000 usually requires two separate clocks. The *main clock* normally drives the processor core and most of the peripheral devices, and the *32.768 kHz clock* drives the battery-backable time-date clock and other circuitry.

Main Clock

An oscillator buffer is built into the Rabbit 3000 that may be used to implement the main processor oscillator (Figure 7-1). For lowest power an external oscillator may be substituted for the built-in oscillator circuit. An oscillator implemented using the built in buffer accepts crystals up to a frequency of 27 MHz (first overtone crystals only). This frequency may be then doubled by the clock doubler. The component values shown in the figure for the oscillator circuits are subject to adjustment depending on the crystal used and the operating frequency.

The Rabbit 3000 has a spectrum spreader unit that modifies the clock by shortening and lengthening clock cycles. The effect of this is to spread the spectral energy of the clock harmonics over a fairly wide range of frequencies. This limits the peak energy of the harmonics and reduces EMI that may interfere with other devices as well as reducing the readings in government mandated EMI tests. The spectrum spreader has two operating modes, normal spreading and strong spreading. The spreader can also be turned off.

Table 7-5. Global Control/Status Register

Global Control/Status Register (GCSR) (Address = 0x00)		
Bit(s)	Value	Description
7:6 (rd-only)	00	No Reset or Watchdog Timer time-out since the last read.
	01	The Watchdog Timer timed out. These bits are cleared by a read of this register.
	10	This bit combination is not possible.
	11	Reset occurred. These bits are cleared by a read of this register.
5	0	No effect on the Periodic interrupt. This bit will always be read as zero.
	1	Force a Periodic interrupt to be pending.
4:2	xxx	See table below for decode of this field.
1:0	00	Periodic interrupts are disabled.
	01	Periodic interrupts use Interrupt Priority 1.
	10	Periodic interrupts use Interrupt Priority 2.
	11	Periodic interrupts use Interrupt Priority 3.

Table 7-6. Clock Select Field of GCSR

Clock Select Bits 4:2 GCSR	CPU Clock	Peripheral Clock	Main Oscillator	Power-Save CS if Enabled by GPSCR
000	osc/8	osc/8	on	short CS option
001	osc/8	osc	on	short CS option
010	osc	osc	on	none
011	osc/2	osc/2	on	none
100	32 kHz or fraction	32 kHz or fraction	on	self-timed option
101	32 kHz or fraction	32 kHz or fraction	off	self-timed option
110	osc/4	osc/4	on	short CS option
111	osc/6	osc/6	on	short CS option

7.3 Clock Doubler

The clock doubler is provided to allow a lower frequency crystal to be used for the main oscillator and to provide an added range of clock frequency adjustability. The clock doubler is controlled via the Global Clock Double Register as shown in Table 7-7.

Table 7-7. Global Clock Double Register

Global Clock Double Register		(GCDR)	(Address = 0x0F)
Bit(s)	Value	Description	
7:4	xxxx	Reserved	
3:0	0000	The clock doubler circuit is disabled.	
	0001	6 ns nominal low time	
	0010	7 ns nominal low time	
	0011	8 ns nominal low time	
	0100	9 ns nominal low time	
	0101	10 ns nominal low time	
	0110	11 ns nominal low time	
	0111	12 ns nominal low time	
	1000	13 ns nominal low time	
	1001	14 ns nominal low time	
	1010	15 ns nominal low time	
	1011	16 ns nominal low time	
	1100	17 ns nominal low time	
	1101	18 ns nominal low time	
	1110	19 ns nominal low time.	
	1111	20 ns nominal low time	

The clock doubler uses an on-chip delay circuit that must be programmed by the user at startup if there is a need to double the clock. Table 7-8 lists the recommended delays for the Global Clock Double Register for various oscillator frequencies.

Table 7-8. Recommended Delays Set In GCDR for Clock Doubler

Recommended GCDR Value	Frequency Range
15	≤7.3728 MHz
13	7.3728–11.0592 MHz
9	11.0592–16.5888 MHz
6	16.5888–20.2752 MHz
3	20.2752–52.8384 MHz
0	>52.8384 MHz

When the clock doubler is used and there is no subsequent division of the clock, the output clock will be asymmetric, as shown in Figure 7-2.

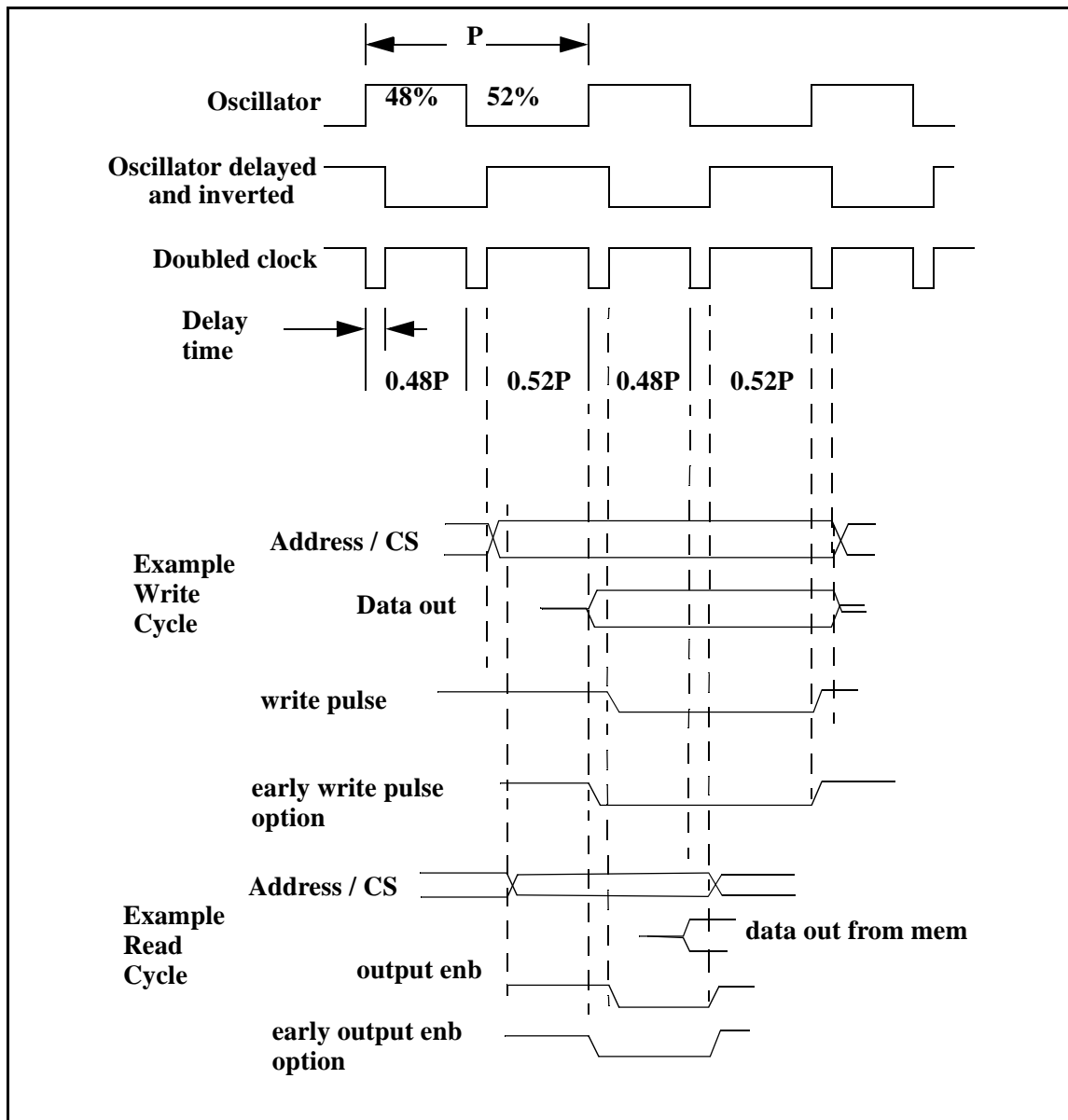


Figure 7-2. Effect of Clock Doubler

The doubled-clock low time is subject to wide (50%) variation since it depends on process parameters, temperature, and voltage. The times given above are for a supply voltage of 3.3 V and a temperature of 25°C. The doubled-clock low time increases by 20% when the voltage is reduced to 2.5 V, and increases by about 40% when the voltage is reduced further to 2.0 V. The values increase or decrease by 1% for each 5°C increase or decrease in temperature. The doubled clock is created by xor'ing the delayed and inverted clock with itself. If the original clock does not have a 50-50 duty cycle, then alternate clocks will have a slightly different length. Since the duty cycle of the built-in oscillator can be as asymmetric as 52-48, the clock generated by the clock doubler will exhibit up to a 4%

variation in period on alternate clocks. This does not affect the no-wait states memory access time since two adjacent clocks are always used. However, the maximum allowed clock speed must be slightly reduced if the clock is supplied via the clock doubler. The only signals clocked on the falling edge of the clock are the memory and I/O write pulses and the early option memory output enable. See Chapter 8 for more information on the early output enable and write enable options.

The spectrum spreader either stretches or shrinks the low plateau of the clock by a maximum of 3 ns for the normal spreading and 4.5 ns for the strong spreading. If the clock doubler is used this will cause an additional asymmetry between alternate clock cycles.

The power consumption is proportional to the clock frequency, and for this reason power can be reduced by slowing the clock when less computing activity is taking place. The clock doubler provides a convenient method of temporarily speeding up or slowing down the clock as part of a power management scheme.

7.4 Clock Spectrum Spreader

When enabled the spectrum spreader stretches and compresses the clocks in a complex pattern that results in spreading the energy in the clock harmonics over a wide range of frequencies. The spectrum spreader has a normal and a strong setting. With either setting the peak spectral strength of the clock harmonics is reduced by approximately 15 dB for frequencies above 100 MHz. For lower frequencies the strong spreading has a greater effect in reducing the peak spectral strength as shown in the figure below.

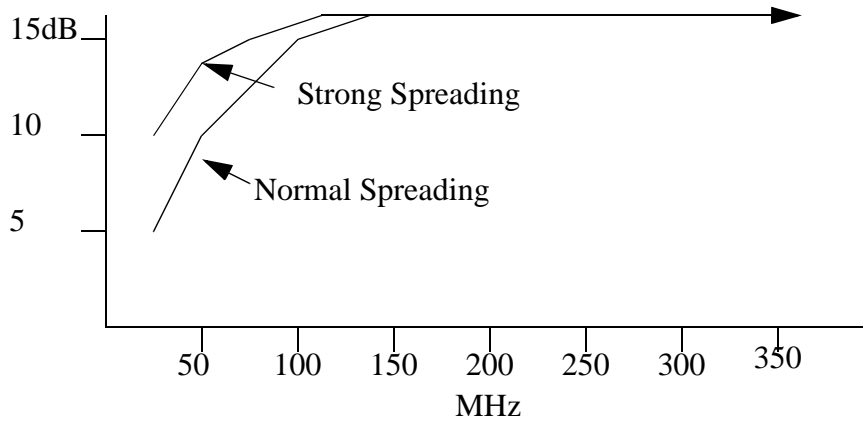


Figure 7-3. Reduction in Peak Spectral Strength from Spectrum Spreader

In the normal spectrum spreading mode, the maximum shortening of the clock cycle is 3 nanoseconds at 3.3 V and 25°C. In the strong spreading mode the maximum shortening of a clock cycle under the same conditions is 4.5 ns. The reduction in peak spectral strength is roughly independent of the clock frequency. Special precautions must be followed in setting the GCM0R and GCM1R registers (see Section 15.2, “Using the Clock Spectrum Spreader”).

7.5 Chip Select Options for Low Power

Some types of flash memory and RAM consume power whenever the chip select is enabled even if no signals are changing. The chip select behavior of the Rabbit 3000 can be modified to reduce unnecessary power consumption when the Rabbit 3000 is running at a reduced clock speed. The *short chip select option* can be enabled when the processor clock is divided (by 4, 6, or 8) so as to run at a lower speed.

The short chip select option is exercised with clock select bits 4:2 of the GCSR register as shown in Table 7-6. Whether the chip select is normal or short is then determined by whether bit 4 in the GPSCR register is 0 or 1.

When the short chip select option is enabled, the chip select delays turning on until the end of the of the memory cycle when it turns on for the last 2 undivided clocks. If the clock is divided by 6, the memory read cycle with no wait states would normally be 12 undivided clocks long. With the short chip select, the chip select is on for only 2/12 clocks for a memory duty cycle of 1/6. If wait states are added, the duty cycle is reduced even more. For example, if there is one wait state and the clock is divided by 6, the memory bus cycle will be 18 undivided clocks long and the duty cycle will be $2/18 = 1/9$ with the short chip select option enabled.

When the short chip select option is enabled, the interrupt sequence will attempt to write the return address to the stack if an interrupt takes place immediately after an internal or an external I/O instruction. The chip select will be suppressed during the write cycle, and the correct return address will not be stored on the stack. This happens only when an interrupt takes place immediately after an I/O instruction when the short chip select option is enabled. Therefore, when using the short chip select option, ensure that interrupts are disabled during I/O instructions (or do not use short chip select). Interrupts can be disabled for a single I/O instruction as shown in the following example.

```
PUSH IP      ; save interrupt state
IPSET 3      ; interrupts off
IOE LD a, (h1) ; typical I/O instruction
POP IP       ; reenale interrupts
```

When the 32.768 kHz clock is used as the main processor clock (sleepy mode) the memory duty cycle can be reduced by enabling a *self-timed chip select* mode. When the 32.768 kHz clock is used, the clock period is approximately 32 μ s, and a normal memory read cycle without wait states will be approximately 64 μ s. No more than a few hundred nanoseconds are needed to read the memory. The main oscillator is normally shut down when operating at 32 kHz, and no faster clock is available to time out a short chip select cycle. To provide for a low-memory-duty cycle, a chip select and memory read can take place under control of a delay timer that is on the chip. The cycle starts at the start of the final 64 μ s clock of the memory cycle and can be set to enable chip select for a period in the range of 70 to 200 ns. The data are clocked in early at the end of the delay-driven cycle. The chip select duty cycle is very small, about $0.2/128 = 1/600$.

When operating in the 32 kHz mode, it is also possible to further divide the clock to a frequency as low as 2 kHz, further reducing execution speed and current consumption.

Global Power Save Control Register (GPSCR) (Address = 0x0D)		
Bit(s)	Value	Description
7:5	000	Self-timed chip selects are disabled.
	001	This bit combination is reserved and should not be used.
	01x	This bit combination is reserved and should not be used.
	100	296 ns self-timed chip selects (192 ns best case, 457 ns worst case).
	101	234 ns self-timed chip selects (151 ns best case, 360 ns worst case).
	110	171 ns self-timed chip selects (111 ns best case, 264 ns worst case).
	111	109 ns self-timed chip selects (71 ns best case, 168 ns worst case).
4	0	Normal Chip Select operation.
	1	Short Chip Select timing when dividing main oscillator by 4, 6, or 8.
3	x	This bit is reserved and should not be used.
2:0	000	The 32 kHz clock divider is disabled.
	001	This bit combination is reserved and should not be used.
	01x	This bit combination is reserved and should not be used.
	100	32 kHz oscillator divided by two (16.384 kHz).
	101	32 kHz oscillator divided by four (8.192 kHz).
	110	32 kHz oscillator divided by eight (4.096 kHz).
	111	32 kHz oscillator divided by sixteen (2.048 kHz).

It is anticipated that these measures would reduce operating current consumption to as low as 20 μ A plus some additional leakage that would be significant at high operating temperatures.

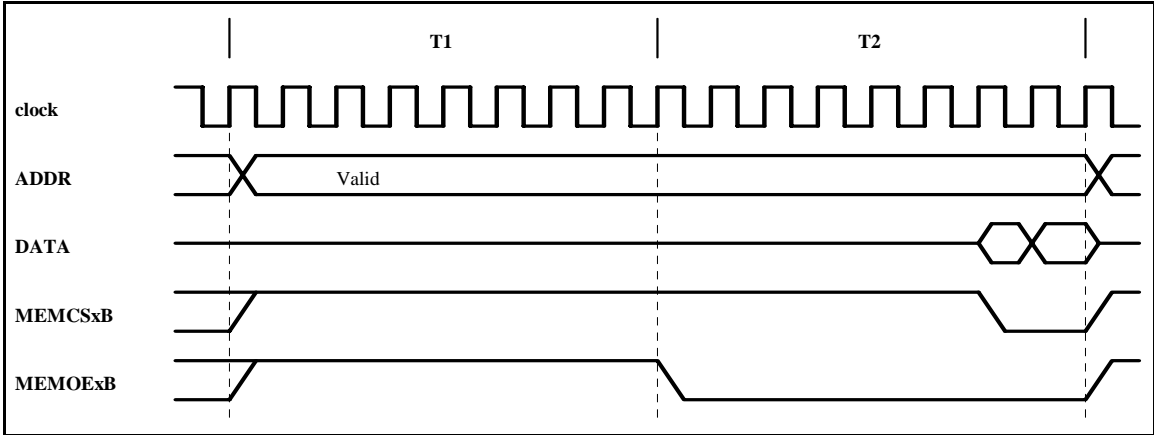


Figure 7-4. Short Chip Select Memory Read

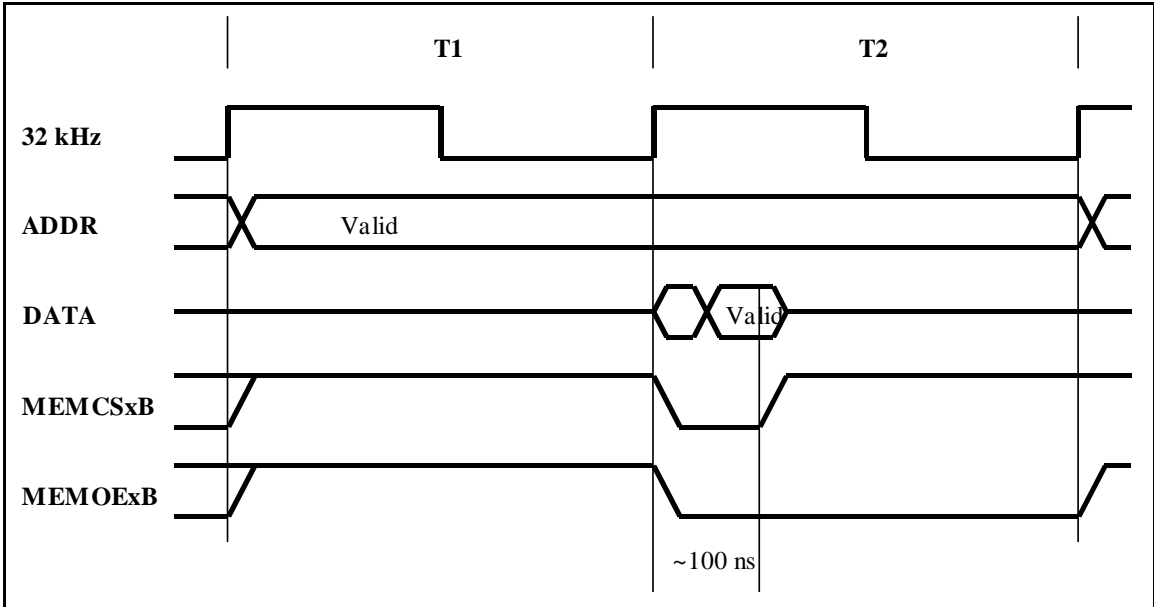


Figure 7-5. Self-Timed Chip Select Memory Read Cycle

7.6 Output Pins CLK, STATUS, /WDTOUT, /BUFEN

Certain output pins can have alternate assignments as specified in Table 7-9.

Table 7-9. Global Output Control Register (GOCR = 0x0E)

Bit(s)	Value	Description
7:6	00	CLK pin is driven with peripheral clock.
	01	CLK pin is driven with peripheral clock divided by 2.
	10	CLK pin is low.
	11	CLK pin is high.
5:4	00	STATUS pin is active (low) during a first opcode byte fetch.
	01	STATUS pin is active (low) during an interrupt acknowledge.
	10	STATUS pin is low.
	11	STATUS pin is high.
3	1	WDTOUTB pin is low (1 cycle minimum, 2 cycles maximum, of 32 kHz).
	0	WDTOUTB pin follows watchdog function.
2	x	This bit is ignored.
1:0	00	/BUFEN pin is active (low) during external I/O cycles.
	01	/BUFEN pin is active (low) during data memory accesses.
	10	/BUFEN pin is low.
	11	/BUFEN pin is high.

7.7 Time/Date Clock (Real-Time Clock)

The time/date clock (RTC) is a 48-bit (ripple) counter that is driven by the 32.768 kHz oscillator. The RTC is a modified ripple counter composed of six separate 8-bit counters. The carries are fed into all six 8-bit counters at the same time and then ripple for 8 bits. The time for this ripple to take place is a few nanoseconds per bit, and certainly should not exceed 200 ns for all 8 bits, even when operating at low voltage.

The 48 bits are enough to count up 272 years at the 32 kHz clock frequency. By convention, 12 AM on January 1, 1980, is taken as time zero. Z-World software ignores the highest order bit, giving the counter a capacity of 136 years from January 1, 1980. To read the counter value, the value is first transferred to a 6-byte holding register. Then the individual bytes may be read from the holding registers. To perform the transfer, any data bits are written to RTC0R, the first holding register. The counter may then be read as six 8-bit bytes at RTC0R through RTC5R. The counter and the 32 kHz oscillator are powered from a separate power pin that can be provided with power while the remainder of the chip is powered down. This design makes battery backup possible. Since the processor operates on a different clock than the RTC, there is the possibility of performing a transfer to the holding registers while a carry is taking place, resulting in incorrect information. In order to prevent this, the processor should do the clock read twice and make sure that the value is the same in both reads.

If the processor is itself operating at 32 kHz, the read-clock procedure must be modified since a number of clock counts would take place in the time needed by the slow-clocked processor to read the clock. An appropriate modification would be to ignore the lower bytes and only read the upper 5 bytes, which are counted once every 256 clocks or every 1/128th of a second. If the read cannot be performed in this time, further low-order bits can be ignored.

The RTC registers cannot be set by a write operation, but they can be cleared and counted individually, or by subset. In this manner, any register or the entire 48-bit counter can be set to any value with no more than 256 steps. If the 32 kHz crystal is not installed and the input pin is grounded, no counting will take place and the six registers can be used as a small battery-backed memory. Normally this would not be very productive since the circuitry needed to provide the power switchover could also be used to battery-back a regular low-power static RAM.

Table 7-10. Real-Time Clock RTCxR Data Registers

Real-Time Clock x Holding Register		
		(RTC0R) R/W (Address = 0x02)
		(RTC1R) (Address = 0x03)
		(RTC2R) (Address = 0x04)
		(RTC3R) (Address = 0x05)
		(RTC4R) (Address = 0x06)
		(RTC5R) (Address = 0x07)
Bit(s)	Value	Description
7:0	Read	The current value of the 48-bit RTC holding register is returned.
	Write	Writing to the RTC0R transfers the current count of the RTC to six holding registers while the RTC continues counting.

Table 7-11. Real-Time Clock Control Register (RTCCR adr = 0x01)

Bit(s)	Value	Description
7:0	0x00	Writing a 0x00 to the RTCCR has no effect on the RTC counter. However, depending on what the previous command was, writing a 0x00 may either 1. disable the byte increment function or 2. cancel the RTC reset command If the 0xC0 command is followed by a 0x00 command, only the byte increment function will be disabled. The RTC reset will still take place.
	0x40	Arm RTC for a reset with code 0x80 or reset and byte increment function with code 0x0C0.
	0x80	Resets all six bytes of the RTC counter to 0x00 if preceded by arm command 0x40.
	0xC0	Resets all six bytes of the RTC counter to 0x00 and enters byte increment mode—precede this command with 0x40 arm command.
7:6	01	This bit combination must be used with every byte increment write to increment clock(s) register corresponding to bit(s) set to "1". Example: 01001101 increments registers: 0, 2,3. The byte increment mode must be enabled. Storing 0x00 cancels the byte increment mode.
5:0	0	No effect on the RTC counter.
	1	Increment the corresponding byte of the RTC counter.

7.8 Watchdog Timer

The watchdog timer is a 17-bit counter. In normal operation it is driven by the 32.768 kHz clock. When the watchdog timer reaches any of several values corresponding to a delay of from 0.25 to 2 seconds, it “times out.” When it times out, it emits a 1-clock pulse from the watchdog output pin and it resets the processor via an internal circuit. To prevent this timeout, the program must “hit” the watchdog timer before it times out. The hit is accomplished by storing a code in WDTCR. Note that although a watchdog timeout resets the processor, it does not reset the timeout period stored in the WDTCR. This was done intentionally because an application may require the initialization of the processor resulting from the watchdog timeout to be based on a specific timeout period that is different from that of the reset initialization.

Table 7-12. Watchdog Timer Control Register (WDTCR adr = 0x08)

Bit(s)	Value	Description
7:0	0x5A	Restart (hit) the watchdog timer, with a 2-second timeout period.
	0x57	Restart (hit) the watchdog timer, with a 1-second timeout period.
	0x59	Restart (hit) the watchdog timer, with a 500 ms timeout period.
	0x53	Restart (hit) the watchdog timer, with a 250 ms timeout period.
	0x5F	Restart the secondary watchdog timer (starting with Rabbit 3000A chip).
	other	No effect on watchdog timer.

The watchdog timer may be disabled by storing a special code in the WDTTR register. Normally this should not be done unless an external watchdog device is used. The purpose of the watchdog is to unhang the processor from an endless loop caused by a software crash or a hardware upset.

It is important to use extreme care in writing software to hit the watchdog timer (or to turn off the watchdog timer). The programmer should not sprinkle instructions to hit the watchdog timer throughout his program because such instructions can become part of an endless loop if the program crashes and thus disable the recovery ability given by having a watchdog.

The following is a suggested method for hitting the watchdog. An array of bytes is set up in RAM. Each of these bytes is a virtual watchdog. To hit a virtual watchdog, a number is stored in a byte. Every virtual watchdog is counted down by an interrupt routine driven by a periodic interrupt. This can happen every 10 ms. If none of the virtual watchdogs has counted down to zero, the interrupt routine hits the hardware watchdog. If any have counted down to zero, the interrupt routine disables interrupts, and then enters an endless loop waiting for the reset. Hits of the virtual watchdogs are placed in the user’s program at “must exercise” locations.

Table 7-13. Watchdog Timer Test Register (WDTTR adr = 0x09)

Bit(s)	Value	Description
7:0	0x51	Clock the least significant byte of the watchdog timer from the peripheral clock. (Intended for chip test and code 0x54 below only.)
	0x52	Clock the most significant byte of the watchdog timer from the peripheral clock. (Intended for chip test and code 0x54 below only.)
	0x53	Clock both bytes of the watchdog timer, in parallel, from the peripheral clock. (Intended for chip test and code 0x54 below only.)
	0x54	Disable the watchdog timer. This value, by itself, does not disable the watchdog timer. Only a sequence of two writes, where the first write is 0x51, 0x52, or 0x53, followed by a write of 0x54, actually disables the watchdog timer. The watchdog timer will be re-enabled by any other write to this register.
	other	Normal clocking (32 kHz oscillator) for the watchdog timer. This is the condition after reset.

The code to do this may also hit the watchdog with a 0.25-second period to speed up the reset. Such watchdog code must be written so that it is highly unlikely that a crash will incorporate the code and continue to hit the watchdog in an endless loop. The following suggestions will help.

1. Place a jump to self before the entry point of the watchdog hitting routines. This prevents entry other than by a direct call or jump to the routine.
2. Before calling the routine, set a data byte to a special value and then check it in the routine to make sure the call came from the right caller. If not, go into an endless loop with interrupts disabled.
3. Maintain data corruption flags and/or checksums. If these go wrong, go into an endless loop with interrupts off.

7.9 System Reset

The Rabbit 3000 contains a master reset input (pin 46), which initializes everything in the device except for the Real-Time Clock (RTC). This reset is delayed until the completion of any write cycles in progress to prevent potential corruption of memory. If no write cycles are in progress the reset takes effect immediately. The reset sequence requires a minimum of 128 cycles of the fast oscillator to complete, even if no write cycles were in progress at the start of the reset. Reset forces both the processor clock and the peripheral clock in the divide-by-eight mode. Note that if the processor is being clocked from the 32 kHz clock, the 128 cycles of the fast oscillator will probably not be sufficient to allow any writes in progress to be completed before the reset sequence completes and the clocks switch to divide-by-eight mode.

During reset $\overline{\text{CS1}}$ is high impedance and all of the other memory and I/O control signals are held inactive (High). After the $\overline{\text{RESET}}$ signal becomes inactive (High) the processor begins fetching instructions and the memory control signals begin normal operation. Note that the default values in the Memory Bank Control Registers select four wait states per access, so the initial program fetch memory reads are 48 clock cycles long ($8 \times (2 + 4)$). Software can immediately adjust the processor timing to whatever the system requires.

$\overline{\text{CS1}}$ is high-impedance during reset (and during power-down, when only VBAT is powered) to allow an external RAM connected to $\overline{\text{CS1}}$ to be powered by VBAT. This is possible because the $\overline{\text{CS1}}$ pin is powered by VBAT. In this case an external pull-up resistor (to VBAT) is required on $\overline{\text{CS1}}$ to keep the RAM deselected during power-down. If the external RAM connected to $\overline{\text{CS1}}$ is not powered by VBAT, so that any information held within it is lost during power-down, no pull-up resistor on $\overline{\text{CS1}}$ is appropriate, as this would add leakage (through the protection diode) to drain VBAT. The RESOUT signal, which is High during reset and power-down, can be used to control an external power switch to disconnect VDD from supplying VBAT.

The default selection for the memory control signals consists of $\overline{\text{CS0}}$ and $\overline{\text{OE0}}$, and writes are disabled. This selection can also be immediately programmed to match the hardware configuration. A typical sequence would be to speed up the clock to full speed, followed by selection of the appropriate number of wait states and the chip select signals, output enable signals and write enable signals. At this point software would usually check the system status to determine what type of reset just occurred and begin normal operation.

The default values for all of the peripheral control registers are shown with the following register listing. The registers within the CPU affected by reset are the Stack Pointer (SP), the Program Counter (PC), the IIR register, the EIR register, and the IP register. The IP register is set to all ones (disabling all interrupts), while all of the other listed CPU registers are reset to all zeros.

Table 7-14 describes the state of the I/O pins after an external reset is recognized by the Rabbit CPU. Note that the $\overline{\text{RESET}}$ signal must be held low for three clocks for the processor to begin the reset sequence. There is no facility to tri-state output lines such as the address lines and the memory and I/O control lines.

Table 7-14. Rabbit 3000 Reset Sequence and State of I/O Pins

Pin Name	Direction	/RESET Low* Recognized by CPU	Post-Reset†
/RESET	Input	Low or High	High
CLK	Output	High	Operational
CLK32K	Input	Not Affected	Not Affected
RESOUT	Output	High	Low
XTALA1	Input	Not Affected	Not Affected
XTALA2	Output	Not Affected	Not Affected
A[19:0]	Output	Last Value	0x00000
D[7:0]	Bidirectional	High Z	High Z
/WDTOUT	Output	High	High
STATUS	Output	High	Operational (as /IFTCH1)
SMODE[1:0]	Input	Not Affected	Not Affected
/CS0	Output	High	Operational
/CS1	Output	High Z	High
/CS2	Output	High	High
/OE0	Output	High	Operational
/OE1	Output	High	High
/WE0	Output	High	High
/WE1	Output	High	High
/BUFEN	Output	High	High
/IORD	Output	High	High
/IOWR	Output	High	High
PA[7:0]	Input/Output	zzzzzzzz	zzzzzzzz
PB[7:0]	Input/Output	00zzzzzz	00zzzzzz
PC[7:0]	4 In/4 Out	z0z1z1z1	z0z1z1z1
PD[7:0]	Input/Output	zzzzzzzz	zzzzzzzz
PE[7:0]	Input/Output	zzzzzzzz	zzzzzzzz
PF[7:0]	Input/Output	zzzzzzzz	zzzzzzzz
PG[7:0]	Input/Output	zzzzzzzz	zzzzzzzz

* A low is recognized internally by the processor after a reset

† The default state of the I/O ports after the completion of the reset and initialization sequences

7.10 Rabbit Interrupt Structure

An interrupt causes a call to be executed, pushing the PC on the stack and starting to execute code at the interrupt vector address. The interrupt vector addresses have a fixed lower byte value for all interrupts. The upper byte is adjustable by setting the registers EIR and IIR for external and internal interrupts respectively. There are only two external interrupts generated by transitions on certain pins in Parallel Port E.

The interrupt vectors are shown in Table 6-2.

The interrupts differ from most Z80 or Z180 interrupts in that the 256-byte tables pointed to EIR and IIR contain the actual instructions beginning the interrupt routines rather than a 16-bit pointer to the routine. The interrupt vectors are spaced 16 bytes apart so that the entire code will fit in the table for very small interrupt routines.

Interrupts have priority 1, 2 or 3. The processor operates at priority 0, 1, 2 or 3. If an interrupt is being requested, and its priority is higher than the priority of the processor, the interrupt will take place after then next instruction. The interrupt automatically raises the processor's priority to its own priority. The old processor priority is pushed into the 4-position stack of priorities contained in the IP register. Multiple devices can be requesting interrupts at the same time. In each case there is a latch set in the device that requests the interrupt. If that latch is cleared before the interrupt is latched by the central interrupt logic, then the interrupt request is lost and no interrupt takes place. This is shown in Table 7-15. The priorities shown in this table apply only for interrupts of the same priority level and are only meaningful if two interrupts are requested at the same time. Most of the devices can be programmed to interrupt at priority level 1, 2 or 3.

Table 7-15. Interrupts—Priority and Action to Clear Requests

Priority	Interrupt Source	Action Required to Clear the Interrupt
Highest	External 1	Automatically cleared by the interrupt acknowledge.
	External 0	Automatically cleared by the interrupt acknowledge.
	Periodic (2 kHz)	Read the status from the GCSR.
	Quadrature Decoder	Read the status from the QDCSR.
	Timer B	Read the status from the TBSR.
	Timer A	Read the status from the TASR.
	Input Capture	Read the status from the ICCSR.
	Slave Port	Rd: Read the data from the SPD0R, SPD1R or SPD2R. Wr: Write data to the SPD0R, SPD1R, SPD2R or write a dummy byte to the SPSR.
	Serial Port E	Rx: Read the data from the SEDR or SEAR. Tx: Write data to the SEDR, SEAR, SELR or write a dummy byte to the SESR.
	Serial Port F	Rx: Read the data from the SFDR or SFAR. Tx: Write data to the SFDR, SFAR, SFLR or write a dummy byte to the SFSR.
	Serial Port A	Rx: Read the data from the SADR or SAAR. Tx: Write data to the SADR, SAAR, SALR or write a dummy byte to the SASR.
	Serial Port B	Rx: Read the data from the SBDR or SBAR. Tx: Write data to the SBDR, SBAR, SBLR or write a dummy byte to the SBSR.
	Serial Port C	Rx: Read the data from the SCDR or SCAR. Tx: Write data to the SCDR, SCAR, SCLR or write a dummy byte to the SCSR.
Lowest	Serial Port D	Rx: Read the data from the SDDR or SDAR Tx: Write date to the SDDR, SDAR, SDLR or write a dummy byte to the SDSR

In the case of the external interrupts the only action that will clear the interrupt request is for the interrupt to take place, which automatically clears the request. A special action must be taken in the interrupt service routine for the other interrupts.

7.10.1 External Interrupts

There are two external interrupts. Each interrupt has 2 input pins that can be used to trigger the interrupt. The inputs have a pulse catcher that can detect rising, falling or either rising or falling edges.

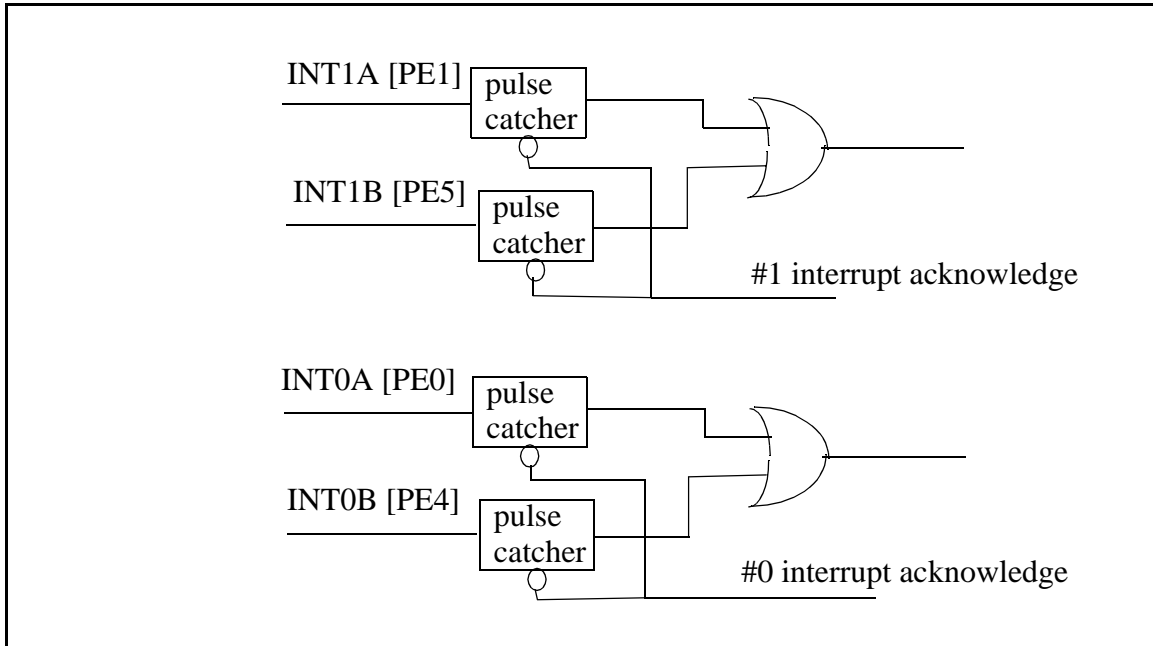


Figure 7-6. External Interrupt Line Logic

The external interrupts take place on a transition of the input, which is programmable for rising, falling or both edges. The pulse catchers are programmable separately to detect a rising, falling, or either edge in the input. Each of the interrupt pins has its own catcher device to catch the edge transition and request the interrupt.

When the interrupt takes place, both pulse catchers associated with that interrupt are automatically reset. If both edges are detected before the corresponding interrupt takes place, because the triggering edges occur nearly simultaneously or because the interrupts are inhibited by the processor priority, then there will be only one interrupt for the two edges detected. The interrupt service routine can read the interrupt pins via Parallel Port E and determine which lines experienced a transition, provided that the transitions are not too fast. Interrupts can also be generated by setting up the matching port E bit as an output and toggling the bit.

External interrupts are cleared automatically during the processor Interrupt Acknowledge cycle. The Interrupt Acknowledge cycle will always immediately follow an Instruction Fetch 1 cycle. This instruction byte is ignored, and will be the first byte fetched upon returning from the interrupt. Interrupt Acknowledge cycles are always followed by two memory writes to push the contents of the PC onto the stack. Execution then begins at the appropriate interrupt vector location.

Table 7-16. Control Registers for External Interrupts

Reg Name	Reg Address	Bits 7,6	Bits 5,4	Bits 3,2	Bits 1,0
I0CR	10011000	xx	INT0B PE4	INT0A PE0	Enb INT0
I1CR	10011001	xx	INT1B PE5	INT1A PE1	Enb INT1
			edge triggered 00-disabled 10-rising 01-falling 11-both	edge triggered 00-disabled 10-rising 01-falling 11-both	interrupt 00-disable 01-pri 1 10-pri 2 11-pri 3

7.10.2 Interrupt Vectors: INT0 - EIR,0x00/INT1 - EIR,0x08

When it is desired to expand the number of interrupts for additional peripheral devices, the user should use the interrupt routine to dispatch interrupts to other virtual interrupt routines. Each additional interrupting device will have to signal the processor that it is requesting an interrupt. A separate signal line is needed for each device so that the processor can determine which devices are requesting an interrupt.

The following code shows how the interrupt service routines can be written.

```

; External interrupt Routine #0 (programmed priority could be 3)
int2:
    PUSH IP ; save interrupt priority
    IPSET 1 ; set to priority really desired (1, 2, etc.)
; insert body of interrupt routine here
;
    POP IP ; get back entry priority
    IPRES ; restore interrupted routine's priority
    RET ; return from interrupt

```

7.11 Bootstrap Operation

The device provides the option of bootstrap from any of three sources: from the Slave Port, from Serial Port A in clocked serial mode, or from Serial Port A in asynchronous mode. This is controlled by the state of the SMODE pins after reset. Bootstrap operation is disabled if $(\text{SMODE1}, \text{SMODE0}) = (0, 0)$.

Bootstrap operation inhibits the normal fetch of code from memory, and instead substitutes the output of a small internal boot ROM for program fetches. This bootstrap program reads groups of three bytes from the selected peripheral device. The first byte is the most significant byte of a 16-bit address, followed by the least-significant byte of a 16-bit address, followed by a byte of data. The bootstrap program then writes the byte of data to the downloaded address and jumps back to the start of the bootstrap program. The most significant bit of the address is used to determine the destination for the byte of data. If this bit is zero, the byte is written to the memory location addressed by the downloaded address. If this bit is one, the byte is written to the internal peripheral addressed by the downloaded address. Note that all of the memory control signals continue to operate normally during bootstrap.

Execution of the bootstrap program automatically waits for data to become available from the selected peripheral, and each byte transferred automatically resets the watchdog timer. However, the watchdog timer still operates, and bytes must be transferred often enough to prevent the watchdog timer from timing out.

Bootstrap operation is terminated when the SMODE pins are set to zero. The SMODE pins are sampled just prior to fetching the first instruction of the bootstrap program. If the SMODE pins are zero, instructions are fetched from normal memory starting at address 0x0000. The Slave Port Control register allows the bootstrap operation to be terminated remotely. Writing a one to bit 7 of this register causes the bootstrap operation to terminate immediately. So the sequence 0x80, 0x24, and 0x80 will terminate bootstrap operation.

Bootstrap operation is not restricted to the time immediately after reset because the boot ROM is addressed by only the four least significant bits of the address. So any time that the address ends in four zeros, if the SMODE pins are non-zero and bit 7 of the SPCR is zero, the bootstrap program will begin execution. This allows in-line downloading from the selected bootstrap port. Upon completion of the bootstrap operation, either by returning the SMODE pins to zero or setting the bit in the SPCR, execution will continue from where it was interrupted for the bootstrap operation.

The Slave Port is selected for bootstrap operation when $(\text{SMODE1}, \text{SMODE0}) = (0, 1)$. In this case the pins of Parallel Port A are used for a byte-wide data bus, and selected pins of Parallel Ports B and E are used for the Slave Port control signals. Only Slave Port Data Register 0 is used for bootstrap operation, and any writes to the other data registers will be ignored by the processor, and can actually interfere with the bootstrap operation by masking the Write Empty signal.

Serial Port A is selected for bootstrap operation as a clocked serial port when SMODE = 10. In this case bit 7 of Parallel Port C is used for the serial data and bit 1 of Parallel Port B is used for the serial clock. Note that the serial clock must be externally supplied for bootstrap operation. This precludes the use of a serial EEPROM for bootstrap operation.

Serial Port A is selected for bootstrap operation as an asynchronous serial port when SMODE = 11. In this case bit 7 of Parallel Port C is used for the serial data, and the 32 kHz oscillator is used to provide the serial clock. A dedicated divide circuit allows the use of the 32 kHz signal to provide the timing reference for the 2400 bps asynchronous transfer. Only 2400 bps is supported for bootstrap operation, and the serial data must be eight bits for proper operation. In the case of asynchronous bootstrap, Serial Port A accepts either regular NRZ data or IrDA-encoded data (RZI coding with 3/16ths bit cell) automatically. The hardware contains a monostable multivibrator triggered by the falling edge of serial data into the data path. The one shot stretches any IrDA-encoded pulses enough to look like NRZ data, but not so much as to interfere with real NRZ data.

When a bootstrap is performed using Serial Port A, the TXA signal is not needed since the bootstrap is a one-way communication. After the reset ends and the bootstrap mode begins, TXA will be low, reflecting its function as a parallel port output bit that is cleared by the reset. This may be interpreted as a break signal by some serial communication devices. TXA can be forced high by sending the triplet 0x80, 0x50, 0x40, which stores 0x40 in Parallel Port C. An alternate approach is to send the triplet 0x80, 0x55, 0x40, which will enable the TXA output from bit 6 of Parallel Port C by writing to the Parallel Port C function register (0x55).

The transfer rate in any bootstrap operation must not be too fast for the processor to execute the instruction stream. The Write Empty signal acts as an interlock when using the Slave Port for bootstrap operation, because the next byte should not be written to the Slave Port until the Write Empty signal is active. No such interlock exists for the clocked serial and asynchronous bootstrap operation. In these cases, remember that the processor clock starts out in divide-by-eight mode with four wait states, and limit the transfer rate accordingly. In asynchronous mode at 2400 bps it takes about 4 ms to send each character, so no problem is likely unless the system clock is extremely slow.

7.12 Pulse Width Modulator

The Pulse Width Modulator consists of a ten-bit free running counter, and four width registers. Each PWM output is High for "n + 1" counts out of the 1024-clock count cycle, where "n" is the value held in the width register. The PWM output High time can optionally be spread throughout the cycle to reduce ripple on the externally filtered PWM output. The PWM is clocked by the output of Timer A9.

Register Name	Mnemonic	I/O Address	R/W	Reset
PWM LSB 0 Register	PWL0R	0x88	W	XXXXXXXX
PWM MSB 0 Register	PWM0R	0x89	W	XXXXXXXX
PWM LSB 1 Register	PWL1R	0x8A	W	XXXXXXXX
PWM MSB 1 Register	PWM1R	0x8B	W	XXXXXXXX
PWM LSB 2 Register	PWL2R	0x8C	W	XXXXXXXX
PWM MSB 2 Register	PWM2R	0x8D	W	XXXXXXXX
PWM LSB 3 Register	PWL3R	0x8E	W	XXXXXXXX
PWM MSB 3 Register	PWM3R	0x8F	W	XXXXXXXX

The spreading function is implemented by dividing each 1024-clock cycle into four quadrants of 256 clocks each. Within each quadrant, the Pulse Width Modulator uses the eight MSBs of each pulse-width register to select the base width in each of the quadrants. This is the equivalent to dividing the contents of the pulse-width register by four and using this value in each quadrant. To get the exact High time, the Pulse Width Modulator uses the two LSBs of the pulse-width register to modify the High time in each quadrant according to the table below. The "n/4" term is the base count, formed from the eight MSBs of the pulse-width register.

Pulse Width LSBs	1st	2nd	3rd	4th
00	$n/4 + 1$	$n/4$	$n/4$	$n/4$
01	$n/4 + 1$	$n/4$	$n/4 + 1$	$n/4$
10	$n/4 + 1$	$n/4 + 1$	$n/4 + 1$	$n/4$
11	$n/4 + 1$	$n/4 + 1$	$n/4 + 1$	$n/4 + 1$

The diagram below shows a PWM output for several different width values, for both modes of operation. Operation in the spread mode reduces the filtering requirements on the PWM output in most cases.

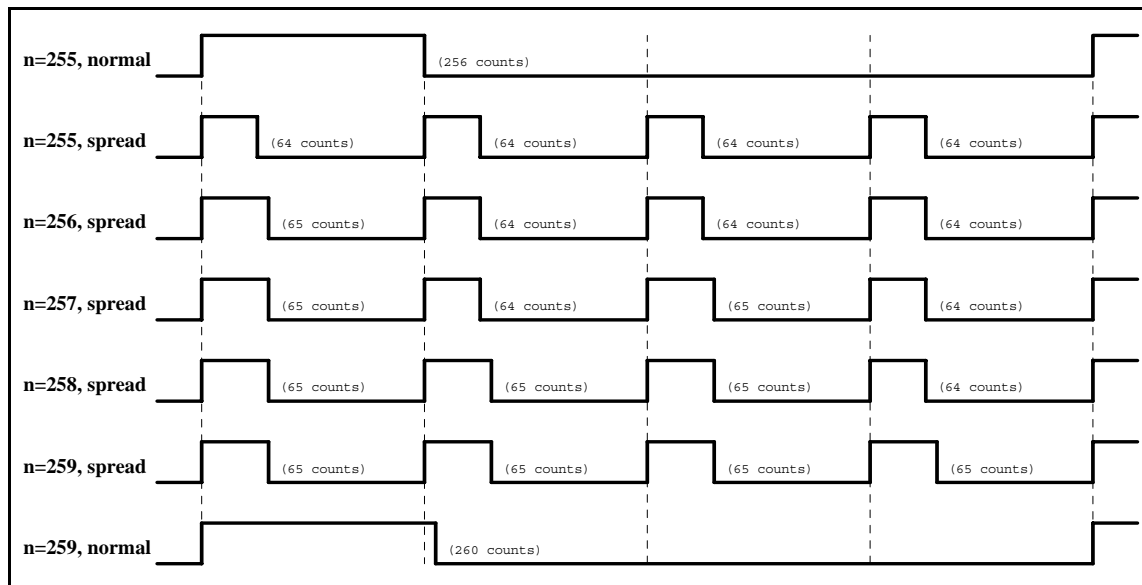


Table 7-17. PWM LSB x Register

PWM LSB x Register			(PWL0R)	(Address = 0x88)
			(PWL1R)	(Address = 0x8A)
			(PWL2R)	(Address = 0x8C)
			(PWL3R)	(Address = 0x8E)
Bit(s)	Value	Description		
7:6	write	The least significant two bits for the Pulse Width Modulator count are stored.		
5:1		These bits are ignored.		
0	0	PWM output High for single block.		
	1	Spread PWM output throughout the cycle.		

Table 7-18. PWM MSB x Register

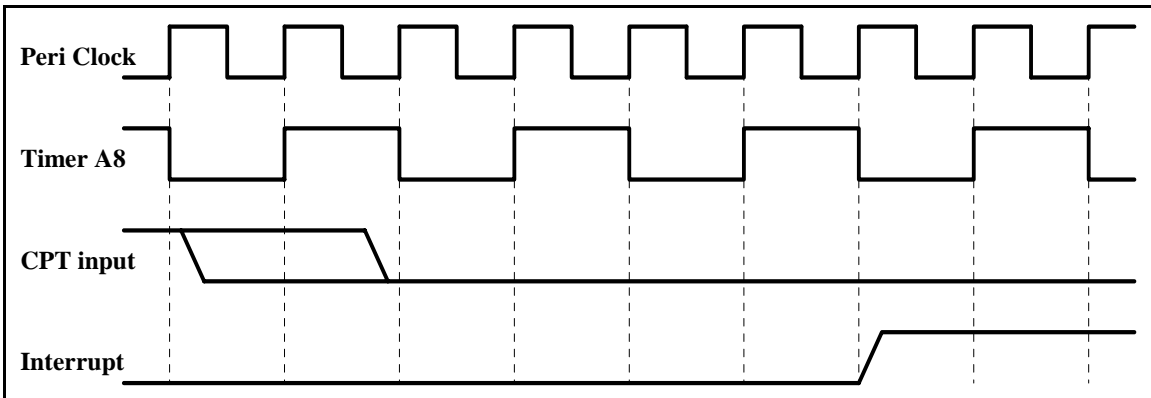
PWM MSB x Register			(PWM0R)	(Address = 0x89)
			(PWM1R)	(Address = 0x8B)
			(PWM2R)	(Address = 0x8D)
			(PWM3R)	(Address = 0x8F)
Bit(s)	Value	Description		
7:0	write	The most significant eight bits for the Pulse Width Modulator count are stored. With a count of "n", the PWM output will be High for "n + 1" clocks out of the 1024 clocks of the PWM counter.		

7.13 Input Capture

The two-channel Input Capture can be used to time input signals from various port pins. Each Input Capture channel consists of a sixteen-bit counter that is clocked by the output of Timer A8, and can be connected to one or two out of sixteen parallel port pins. The Input Capture channel captures the state of its counter upon either of two programmed conditions and can then generate an interrupt. The programmed conditions can also be used to start and stop the counter.

Register Name	Mnemonic	I/O Address	R/W	Reset
Input Capture Ctrl/Status Register	ICCSR	0x56	R/W	00000000
Input Capture Control Register	ICCR	0x57	W	xxxxxx00
Input Capture Trigger 1 Register	ICT1R	0x58	W	00000000
Input Capture Source 1 Register	ICS1R	0x59	W	xxxxxxxx
Input Capture LSB 1 Register	ICL1R	0x5A	R	xxxxxxxx
Input Capture MSB 1 Register	ICM1R	0x5B	R	xxxxxxxx
Input Capture Trigger 2 Register	ICT2R	0x5C	W	00000000
Input Capture Source 2 Register	ICS2R	0x5D	W	xxxxxxxx
Input Capture LSB 2 Register	ICL2R	0x5E	R	xxxxxxxx
Input Capture MSB 2 Register	ICM2R	0x5F	R	xxxxxxxx

Because the Input Capture channels synchronize their inputs to the peripheral clock (further divided by Timer A8), there is some delay between the input transition and when an interrupt is requested, as shown below. The status bits in the ICSxR are set coincident with the interrupt request and are reset when read from the ICSxR.



Each Input Capture channel has two inputs, called the Start condition and the Stop condition. Each of these two inputs can be programmed to come from one of four bits (bits 1, 3, 5 or 7) in Parallel Port C, D, F or G. The two inputs can come from the same or different pins, and are edge-sensitive. Each input can be disabled, rising-edge-sensitive, falling-edge-sensitive or responsive to either edge polarity. Either or both inputs can generate an Input Capture interrupt, and either or both inputs can cause the current count to be latched.

Each Input Capture counter operates in one of three modes, or can be disabled. The counter is never automatically reset, but must be reset by a software command. Although it does not generate an interrupt, there is a status bit which is set when the counter overflows (counts from 0xFFFF to 0x0000) so that software can recognize this condition. To prevent potential stale-data problems, whenever the LSB of the latched count is read from the ICLxR, the corresponding MSB of the latched count is transferred to a holding register until read from the ICMxR.

In the first mode the counter starts counting at the Start condition and stops counting at the Stop condition. This mode is useful for pulse width measurement if the Start condition and Stop condition are assigned to the same pin. The Input Capture inputs were chosen to take maximum advantage of this mode, to allow baud-rate detection for the serial ports and rotational speed measurement for the Quadrature Decoder channels. Using this mode with different inputs for the Start and Stop condition allows time-delay measurements between two signals. This is the mode to use for high-speed pulse measurement, because only one count latch is available, and it may be overwritten if the processor is not able to read the latched value quickly enough. When the counter starts from a known count only the stop count is necessary to determine the pulse width.

In the second mode the counter runs continuously and the Start and Stop conditions merely latch the current count. This mode is useful for time-stamping the input conditions against the time reference of the counter. If the time-stamp feature is not needed, this mode gives the Rabbit 3000 up to four more external interrupt inputs. This mode works well for slower-speed pulse measurement, where the processor has enough time to read the count latched by the Start condition before the Stop condition occurs and latches a new count.

In the third mode the counter runs continuously until the Stop condition occurs. This mode measures the time from the software-defined counter start until the Stop condition occurs on an input. Note that once the counter stops because of the Stop condition, it will not resume counting until re-enabled by software.

Table 7-19. Input Capture Control/Status Register

Input Capture Control/Status Register (ICCSR) (Address = 0x56)		
Bit(s)	Value	Description
7:2 (read)		These status bits (but not the interrupt enable bits) are cleared by the read of this register, as is the Input Capture Interrupt.
7 (read)	0	The Input Capture 2 Start condition has not occurred.
	1	The Input Capture 2 Start condition has occurred.
7 (write)	0	The corresponding Input Capture 2 Start interrupt is disabled.
	1	The corresponding Input Capture 2 Start interrupt is enabled.
6 (read)	0	The Input Capture 2 Stop condition has not occurred.
	1	The Input Capture 2 Stop condition has occurred.
6 (write)	0	The corresponding Input Capture 2 Stop interrupt is disabled.
	1	The corresponding Input Capture 2 Stop interrupt is enabled.
5 (read)	0	The Input Capture 1 Start condition has not occurred.
	1	The Input Capture 1 Start condition has occurred.
5 (write)	0	The corresponding Input Capture 1 Start interrupt is disabled.
	1	The corresponding Input Capture 1 Start interrupt is enabled.
4 (read)	0	The Input Capture 1 Stop condition has not occurred.
	1	The Input Capture 1 Stop condition has occurred.
4 (write)	0	The corresponding Input Capture 1 Stop interrupt is disabled.
	1	The corresponding Input Capture 1 Stop interrupt is enabled.
3 (read)	0	The Input Capture 2 counter has not rolled over to all zeros.
	1	The Input Capture 2 counter has rolled over to all zeros.
3 (write)	0	No effect on Input Capture 2 counter. This bit always reads as zero.
	1	Reset Input Capture 2 counter to all zeros and clears the rollover latch.
2 (read)	0	The Input Capture 1 counter has not rolled over to all zeros.
	1	The Input Capture 1 counter has rolled over to all zeros.
2 (write)	0	No effect on Input Capture 1 counter. This bit always reads as zero.
	1	Reset Input Capture 1 counter to all zeros and clears the rollover latch.
1:0	0x	Normal Input Capture operation.
	x0	Normal Input Capture operation.
	11	Reserved for test. The Input Capture counter increments at both bit 0 and bit 8. There is no carry from lower byte to higher byte.

Table 7-20. Input Capture Control Register

Input Capture Control Register (ICCR) (Address = 0x57)		
Bit(s)	Value	Description
7:2		These bits are ignored.
1:0	00	Input Capture interrupts are disabled.
	01	Input Capture interrupt use Interrupt Priority 1.
	10	Input Capture interrupt use Interrupt Priority 2.
	11	Input Capture interrupt use Interrupt Priority 3.

Table 7-21. Input Capture Trigger x Register

Input Capture Trigger x Register (ICT1R) (Address = 0x58) (ICT2R) (Address = 0x5C)		
Bit(s)	Value	Description
7:6	00	Disable the counter.
	01	The counter runs from the Start condition until the Stop condition.
	10	The counter runs continuously.
	11	The counter runs continuously, until the Stop condition.
5:4	00	Disable the count latching function.
	01	Latch the count on the Stop condition only.
	10	Latch the count on the Start condition only.
	11	Latch the count on either the Start or Stop condition.
3:2	00	Ignore the starting input.
	01	The Start condition is the rising edge of the starting input.
	10	The Start condition is the falling edge of the starting input.
	11	The Start condition is either edge of the starting input.
1:0	00	Ignore the ending input.
	01	The Stop condition is the rising edge of the ending input.
	10	The Stop condition is the falling edge of the ending input.
	11	The Stop condition is either edge of the ending input.

Table 7-22. Input Capture Source x Register

Input Capture Source x Register		(ICS1R) (ICS2R)	(Address = 0x59) (Address = 0x5D)
Bit(s)	Value	Description	
7:6	00	Parallel Port C used for Start condition input.	
	01	Parallel Port D used for Start condition input.	
	10	Parallel Port F used for Start condition input.	
	11	Parallel Port G used for Start condition input.	
5:4	00	Use port bit 1 for Start condition input.	
	01	Use port bit 3 for Start condition input.	
	10	Use port bit 5 for Start condition input.	
	11	Use port bit 7 for Start condition input.	
3:2	00	Parallel Port C used for Stop condition input.	
	01	Parallel Port D used for Stop condition input.	
	10	Parallel Port F used for Stop condition input.	
	11	Parallel Port G used for Stop condition input.	
1:0	00	Use port bit 1 for Stop condition input.	
	01	Use port bit 3 for Stop condition input.	
	10	Use port bit 5 for Stop condition input.	
	11	Use port bit 7 for Stop condition input.	

Table 7-23. Input Capture LSB x Register

Input Capture LSB x Register		(ICL1R) (ICL2R)	(Address = 0x5A) (Address = 0x5E)
Bit(s)	Value	Description	
7:0	read	The least significant eight bits of the latched Input Capture count are returned. Reading the lsb of the count latches the msb of the count to avoid reading stale data. Reading the msb of the count opens the latches.	

Table 7-24. Input Capture MSB x Register

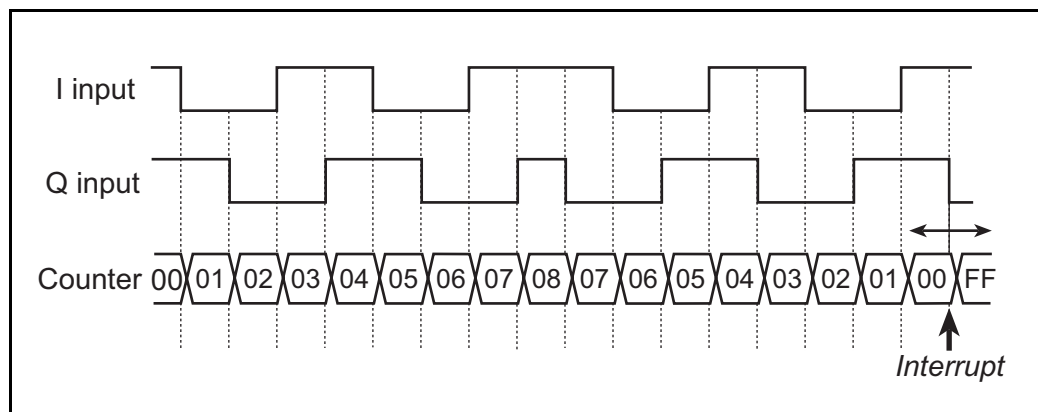
Input Capture MSB x Register		(ICM1R) (ICM2R)	(Address = 0x5B) (Address = 0x5F)
Bit(s)	Value	Description	
7:0	read	The most significant eight bits of the latched Input capture count are returned.	

7.14 Quadrature Decoder

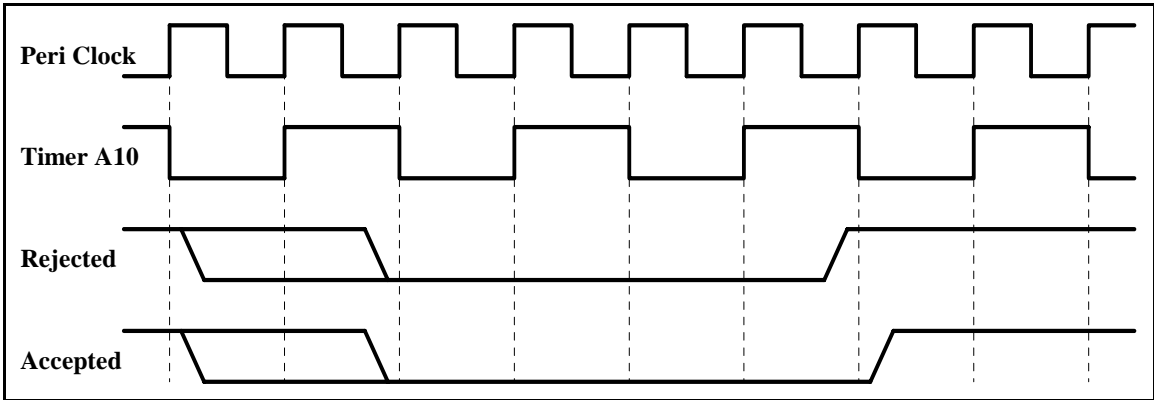
The two-channel Quadrature Decoder accepts inputs, via Port F, from two external optical incremental encoder modules. Each channel of the Quadrature Decoder accepts an in-phase (I) and a quadrature-phase (Q) signal and provides 8-bit counters to track shaft rotation and provide interrupts when the count goes from 0x00 to 0xFF or from 0xFF to 0x00. The Quadrature Decoder contains digital filters on the inputs to prevent false counts. The Quadrature Decoder is clocked by the output of Timer A10.

Register Name	Mnemonic	I/O Address	R/W	Reset
Quad Decode Ctrl/Status Register	QDCSR	0x90	R/W	xxxxxxxx
Quad Decode Control Register	QDCR	0x91	W	00xx0000
Quad Decode Count 1 Register	QDC1R	0x94	R	xxxxxxxx
Quad Decode Count 2 Register	QDC2R	0x96	R	xxxxxxxx

Each Quadrature Decoder channel accepts inputs from either the upper nibble or lower nibble of Port F. The I signal is input on an odd-numbered port bit, while the Q signal is input on an even-numbered port bit. There is also a disable selection, which is guaranteed not to generate a count increment or decrement on either entering or exiting the disable state. The operation of the counter as a function of the I and Q inputs is shown below.



The Quadrature decoders are clocked by the output of Timer A10, giving a maximum clock rate of one-half of the peripheral clock rate. The time constant of Timer A10 must be fast enough to sample the inputs properly. Both the I and Q inputs go through a digital filter that rejects pulses shorter than two clock period wide. In addition, the clock rate must be High enough that transitions on the I and Q inputs are sampled in different clock cycles. The Input Capture may be used to measure the pulse width on the I inputs because they come from the odd-numbered port bits. The operation of the digital filter is shown below.



The Quadrature Decoder generates an interrupt when the counter increments from 0xFF to 0x00 or when the counter decrements from 0x00 to 0xFF. The timing for the interrupt is shown below. Note that the status bits in the QDCSR are set coincident with the interrupt, and the interrupt (and status bits) are cleared by reading the QDCSR.

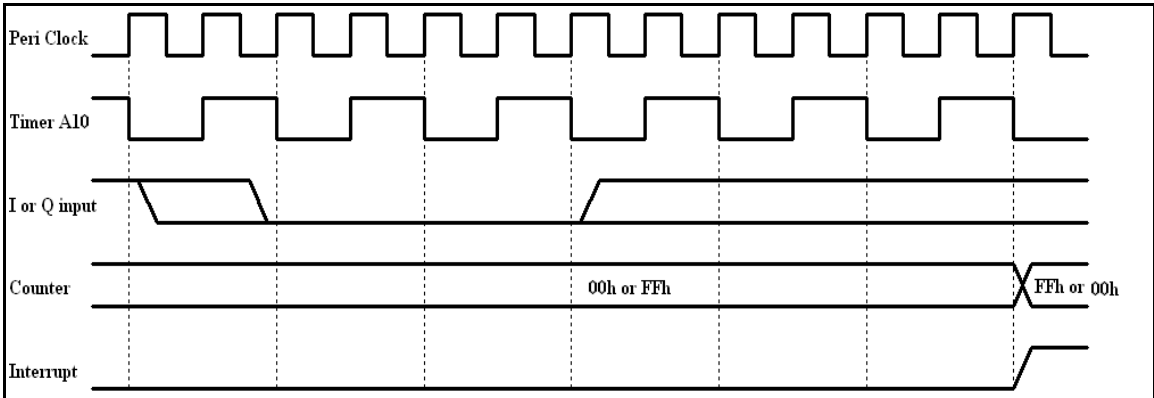


Table 7-25. Quadrature Decoder Control/Status Register

Quad Decode Control/Status Register (QDCSR) (Address = 0x90)		
Bit(s)	Value	Description
7 (read-only)	0	Quadrature Decoder 2 did not increment from 0xFF.
	1	Quadrature Decoder 2 incremented from 0xFF to 0x00. This bit is cleared by a read of his register.
6 (read-only)	0	Quadrature Decoder 2 did not decrement from 0x00.
	1	Quadrature Decoder 2 decremented from 0x00 to 0xFF. This bit is cleared by a read of this register.
5		This bit always reads as zero.
4 (write-only)	0	No effect on the Quadrature Decoder 2.
	1	Reset Quadrature Decoder 2 to 0x00 without causing an interrupt.
3 (read-only)	0	Quadrature Decoder 1 did not increment from 0xFF.
	1	Quadrature Decoder 1 incremented from 0xFF to 0x00. This bit is cleared by a read of this register.
2 (read-only)	0	Quadrature Decoder 1 did not decrement from 0x00.
	1	Quadrature Decoder 1 decremented from 0x00 to 0xFF. This bit is cleared by a read of this register.
1		This bit always reads as zero.
0 (write-only)	0	No effect on the Quadrature Decoder 1.
	1	Reset Quadrature Decoder 1 to 0x00 without causing an interrupt.

Table 7-26. Quadrature Decoder Control Register

Quad Decode Control Register (QDCR) (Address = 0x91)		
Bit(s)	Value	Description
7:6	00	Disable Quadrature Decoder 2 inputs. Writing a new value to these bits will not cause Quadrature Decoder 2 to increment or decrement.
	01	This bit combination is reserved and should not be used.
	10	Quadrature Decoder 2 inputs from Port F bits 3 and 2.
	11	Quadrature Decoder 2 inputs from Port F bits 7 and 6.
5:4		These bits are ignored.
3:2	00	Disable Quadrature Decoder 1 inputs. Writing a new value to these bits will not cause Quadrature Decoder 1 to increment or decrement.
	01	This bit combination is reserved and should not be used.
	10	Quadrature Decoder 1 inputs from Port F bits 1 and 0.
	11	Quadrature Decoder 1 inputs from Port F bits 5 and 4.
1:0	00	Quadrature Decoder interrupts are disabled.
	01	Quadrature Decoder interrupt use Interrupt Priority 1.
	10	Quadrature Decoder interrupt use Interrupt Priority 2.
	11	Quadrature Decoder interrupt use Interrupt Priority 3.

Table 7-27. Quadrature Decoder Count Register

Quad Decode Count Register (QDC1R) (Address = 0x94) (QDC2R) (Address = 0x96)		
Bit(s)	Value	Description
7:0	read	The current value of the Quadrature Decoder counter is reported.

8. MEMORY INTERFACE AND MAPPING

8.1 Interface for Static Memory Chips

Static memory chips generally have address lines, data line, a chip select line, an output enable line and a write enable. The Rabbit 3000 has these same lines that can connect directly to a number of static memory chips. The chip selects are not completely interchangeable because certain chip selects have special functions. When the processor starts up, not in cold boot mode, execution starts at address zero in the memory attached to /CS0. A static RAM should be connected to /CS1 because Dynamic C development tools assume a static RAM connected to /CS1.

In addition /CS1 has special features that support battery backing of static RAM. When the processor power is removed but battery power is supplied to the battery power pin (VBAT) /CS1 is held in a high impedance state. This allows a pull up resistor to the battery backup power to hold /CS1 high and thus hold the static memory chip in standby mode. The RESOUT pin is also held high while the processor is powered down and battery power is supplied to VBAT. This allows the RESOUT pin to be used to control power to the processor and the static RAM chip via a transistor.

It is also possible to force /CS1 to be enabled at all times. This is convenient if an external battery backup device is used that might slow down the transition of /CS1 during the memory cycle. Most users will not use this feature.

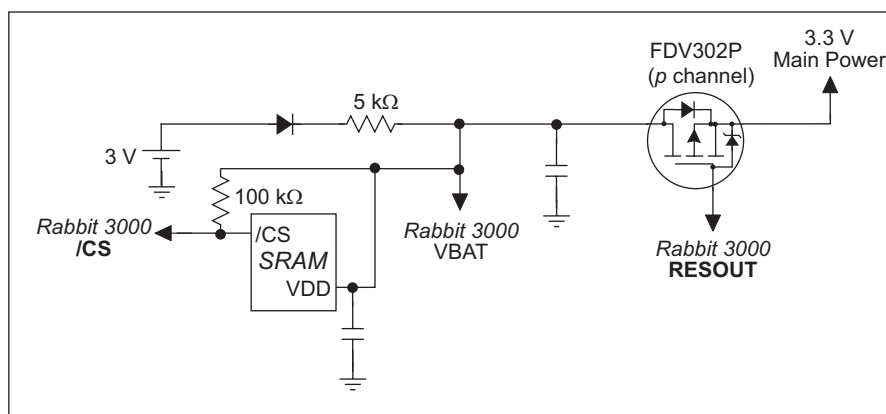


Figure 8-1. Battery-Backup Circuit

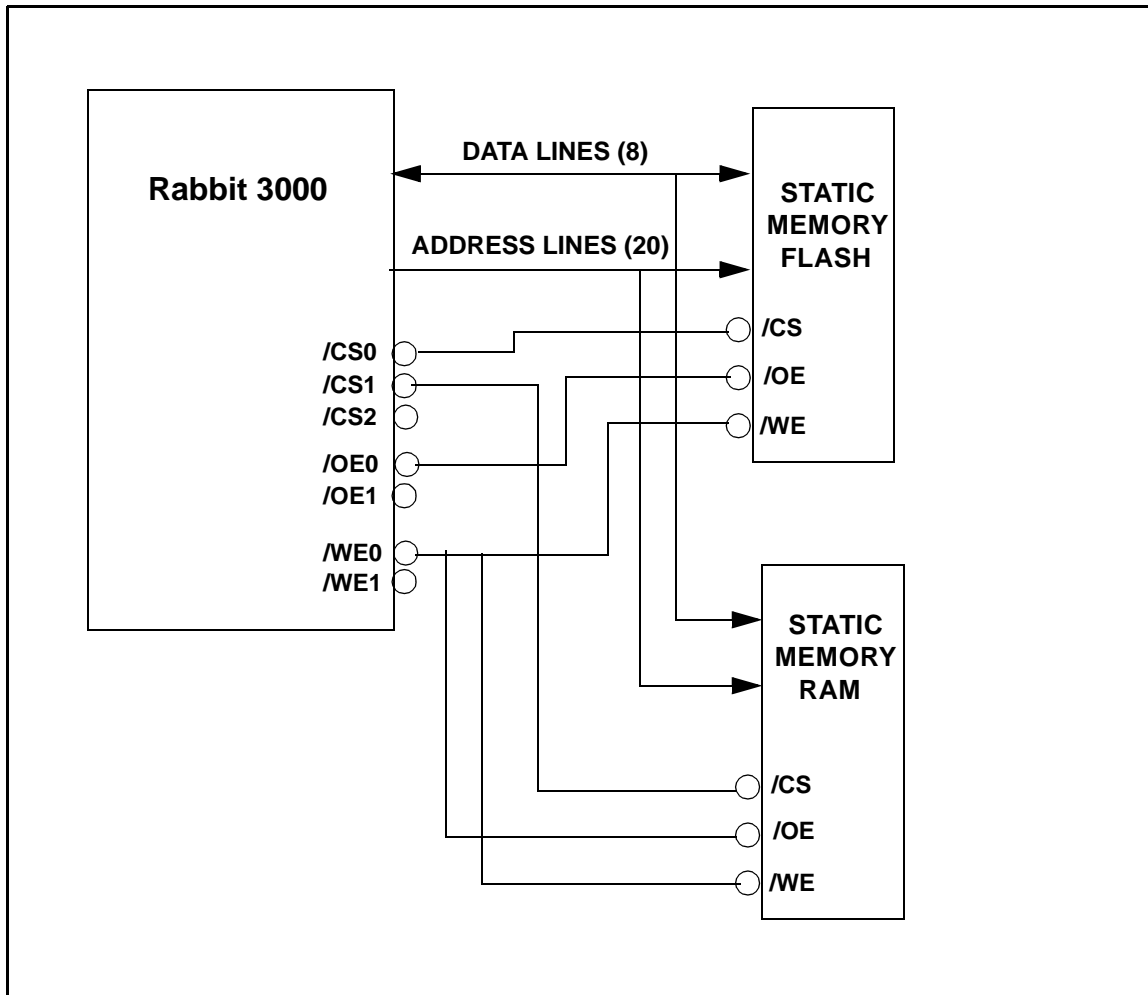


Figure 8-2. Typical Memory Chip Connection

8.2 Memory Mapping Overview

See Section 3.2, “Memory Mapping,” for a discussion of Rabbit memory mapping.

Figure 8-3 shows an overview of the Rabbit memory mapping. The task of the memory mapping unit is to accept 16-bit addresses and translate them to 20-bit addresses. The memory interface unit accepts the 20-bit addresses and generates control signals applied directly to the memory chips.

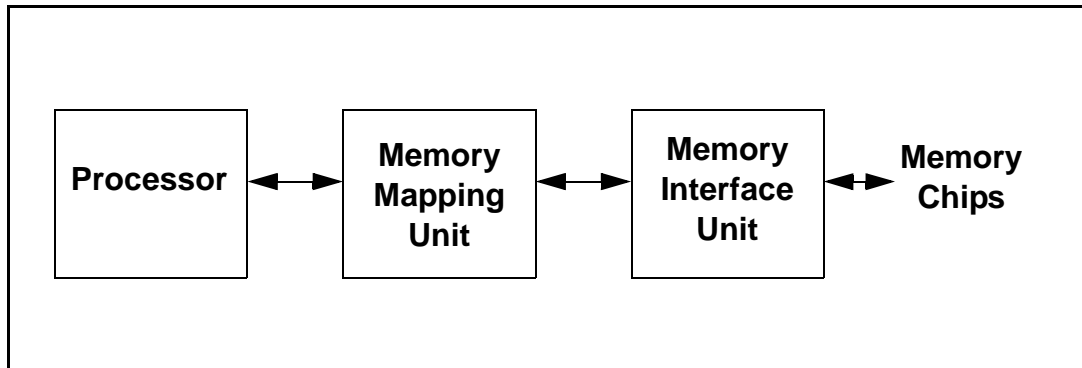


Figure 8-3. Overview of Rabbit Memory Mapping

8.3 Memory-Mapping Unit

The 64K 16-bit address space accessed by processor instructions is divided into segments. Each segment has a length that is a multiple of 4K. Except for the extended code segment, the segments have adjustable sizes and some segments can be reduced to zero size and thus vanish from the memory map.

The four segments are shown in the example in Figure 8-4. The segment size register (SEGSIZE) determines the boundaries marked in the diagram. The extended code segment always occupies the addresses 0x0E000–0x0FFFF. The stack segment stretches from the address specified by the upper 4 bits of the SEGSIZE register to 0x0DFFF. For example, if the upper 4 bits of SEGSIZE are 0x0D, then the stack segment will occupy 0x0D000–0x0DFFF, or 4K. If the upper 4 bits of SEGSIZE are greater than or equal to 0x0E, the stack segment vanishes. If these bits are set to zero, the two segments below the stack segment will vanish.

The lower 4 bits of SEGSIZE determine the lower boundary shown in the figure. If this boundary is equal to the upper boundary or greater than 0x0E, the data segment will vanish. If this segment is placed at zero the code segment will vanish.

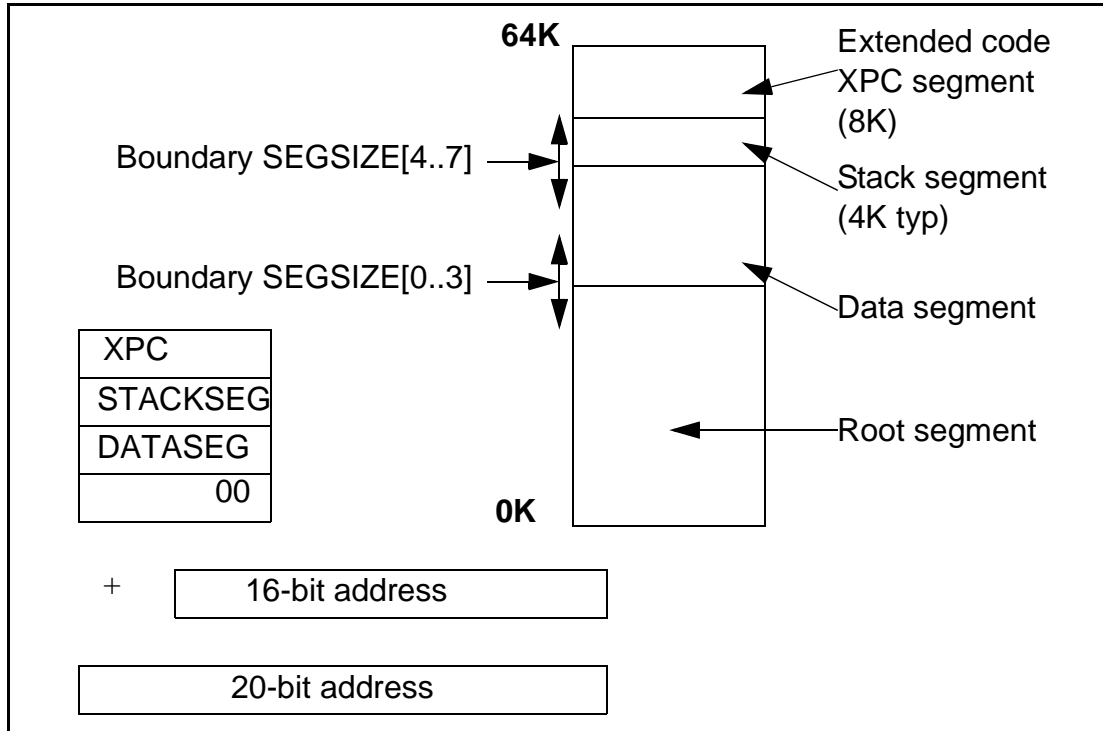


Figure 8-4. Memory Segments

The memory management unit accepts a 16-bit address from the processor and translates it into a 20-bit address. The procedure to do this works as follows.

1. It is determined which segment the 16-bit address belongs to by inspecting the upper 4 bits of the address. Every address must belong to one of the possible 4 segments.
2. Each segment has an 8-bit segment register. The 8-bit segment register is added to the upper 4 bits of the 16-bit address to create a 20-bit address. Wraparound occurs if the addition would result in an address that does not fit in 20 bits.

Table 8-1. Segment Registers

Segment Register	Function
XPC	Locates extended code segment in physical memory. Read and written by processor instructions: <code>ld a, xpc</code> , <code>ld xpc, a</code> , <code>lcall</code> , <code>lret</code> , <code>ljp</code>
STACKSEG = 0x11	Locates stack segment in physical memory.
DATASEG = 0x12	Locates data segment in physical memory.

Table 8-2. Segment Size Register

	Bits 7..4	Bits 3..0
SEGSIZE = 0x13	Boundary address stack segment.	Boundary address data segment.

8.4 Memory Interface Unit

The 20-bit memory addresses generated by the memory-mapping unit feed into the memory interface unit. The memory interface unit has a separate write-only control register for each 256K quadrant of the 1M physical memory. This control register specifies how memory access requests to that quadrant are to be dispatched to the memory chips connected to the Rabbit. There are three separate chip select output lines (/CS0, /CS1, and /CS2) that can be used to select one of three different memory chips. A field in the control register determines which chip select is selected for memory accesses to the quadrant. The same chip select line may be accessed in more than one quadrant. For example, if a 512K RAM is installed and is selected by /CS1, it would be appropriate to use /CS1 for accesses to the 3rd and 4th quadrants, thus mapping the RAM chip to addresses 0x80000 to 0x0FFFFFF.

8.5 Memory Bank Control Registers

Table 8-3 describes the operation of the four memory bank control registers. The registers are write-only. Each register controls one quadrant in the 1M address space.

Table 8-3. Memory Bank Control Register x ($MBxCR = 0x014 + x$)

Memory Bank x Control Register		(MB0CR) (Address = 0x014)	(MB1CR) (Address = 0x015)	(MB2CR) (Address = 0x016)	(MB3CR) (Address = 0x017)
Bit(s)	Value	Description			
7:6	00	Four wait states for accesses in this bank.			
	01	Two wait states for accesses in this bank.			
	10	One wait states for accesses in this bank.			
	11	Zero wait states for accesses in this bank.			
5	0	Pass A[19] for accesses in this bank.			
	1	Invert A[19] for accesses in this bank.			
4	0	Pass A[18] for accesses in this bank.			
	1	Invert A[18] for accesses in this bank.			
3:2	00	/OE0 and /WE0 are active for accesses in this bank			
	01	/OE1 and /WE1 are active for accesses in this bank			
	10	/OE0 only is active for accesses in this bank (i.e. read-only). Transactions are normal in every other way.			
	11	/OE1 only is active for accesses in this bank (i.e. read-only). Transactions are normal in every other way.			
1:0	00	/CS0 is active for accesses in this bank.			
	01	/CS1 is active for accesses in this bank.			
	1x	/CS2 is active for accesses in this bank.			

Bits 7,6—The number of wait states used in access to this quadrant. Without wait states, read requires 2 clocks and write requires 3 clocks. The wait state adds to these numbers. Wait states should only be used for memory data accesses (RAM or data flash), not for memory from which instructions are executed (code memory).

Bits 5, 4—These bits allow the upper address lines to be inverted. This inversion occurs after the logic that selects the bank register, so setting these lines has no effect on which bank register is used. The inversion may be used to install a 1M memory chip in the space normally allocated to a 256K chip. The larger memory can then be accessed as 4 pages of 256K each. There is no effect outside the quadrant that the memory bank control register is controlling.

Bit 3—Inhibits the write pulse to memory accessed in this quadrant. Useful for protecting flash memory from an inadvertent write pulse, which will not actually write to the flash because it is protected by lock codes, but will temporarily disable the flash memory and crash the system if the memory is used for code.

Bit 2—Selects which set of the two lines /OEx and /WEx will be driven for memory accesses in this quadrant.

Bits 1,0—Determines which of the three chip select lines will be driven for memory accesses to this quadrant.

All bits of the control register are initialized to zero on reset.

8.5.1 Optional A16, A19 Inversions by Segment (/CS1 Enable)

The inversion of A19 or A16 controlled by the read/write MMIDR register is used to redirect mapping of the root segment and the data segment by inverting certain bits when these segments are accessed.

The optional enable of /CS1 is valuable for systems that are pushing the access time of battery-backed RAM. By enabling /CS1, the delay time of the switch that forces /CS1 high when power is off can be bypassed. This feature increases power consumption since the RAM is always enabled and its access is controlled normally by /OE1.

Table 8-4. MMU Instruction/Data Register (MMIDR = 0x010) *

MMU Instruction/Data Register		(MMIDR)	(Address = 0x010)
Bit(s)	Value	Description	
7:6	00	These bits are ignored and always return zeros when read.	
5	0	Enable A16 and A19 inversion independent of instruction/data.	
	1	Enable A16 and A19 inversion (controlled by bits 0–3) for data accesses only. This enables the instruction/data split. This is separate I and D space.	
4	0	Normal /CS1 operation.	
	1	Force /CS1 always active. This will not cause any conflicts as long as the memory using /CS1 does not also share an Output Enable or Write Enable with another memory.	
3	0	Normal operation.	
	1	For a DATASEG access, invert A19 before MBxCR (bank select) decision.	
2	0	Normal operation.	
	1	For a DATASEG access: invert A16	
1	0	Normal operation.	
	1	For root access, invert A19 before MBxCR (bank select) decision.	
0	0	Normal operation.	
	1	For root access, invert A16	

* See Table B-20 for information on bit 7 for Rabbit 3000A and later versions.

Table 8-5. MMU Expanded Code Register (MECR = 0x018)

MMU Expanded Code Register (MECR) (Address = 0x018)		
Bit(s)	Value	Description
7:3		These bits are ignored for write, and return zeros when read.
2:0	0xx	Normal operation.
	100	For an XPC access, use MBOCR independent of A19-A18.
	101	For an XPC access, use MB1CR independent of A19-A18.
	110	For an XPC access, use MB2CR independent of A19-A18.
	111	For an XPC access, use MB3CR independent of A19-A18.

The Memory Timing Control Register (MTCR) enables the extended timing for the memory output enables and write enables. See Figure 7-2 for details on how the timing of the memory read and write strobes is affected when using the early output enable and write enable options. Figure 16-3 shows extended output enable and write enable timing diagrams.

Table 8-6. Memory Timing Control Register (MTCR, adr = 0x019)

Memory Timing Control Register (MTCR) (Address = 0x019)		
Bit(s)	Value	Description
7:4	xxxx	These bits are reserved and should not be used.
3	0	Normal timing for /OE1B (rising edge to rising edge, one clock minimum).
	1	Extended timing for /OE1B (one-half clock earlier than normal).
2	0	Normal timing for /OE0B (rising edge to rising edge, one clock minimum).
	1	Extended timing for /OE0B (one-half clock earlier than normal).
1	0	Normal timing for /WE1B (rising edge to falling edge, one and one-half clocks minimum).
	1	Extended timing for /WE1B (falling edge to falling edge, two clocks minimum).
0	0	Normal timing for /WE0B (rising edge to falling edge, one and one-half clocks minimum).
	1	Extended timing for /WE0B (falling edge to falling edge, two clocks minimum).

The Breakpoint/Debug controller allows the RST 28 instruction to be used as a software breakpoint. Normally the RST 28 instruction causes a call to a particular location in memory, but the operation of this instruction is modified when the breakpoint/debug feature is enabled. The RST 28 instruction is treated as a NOP in the breakpoint/debug mode.

Table 8-7. Breakpoint/Debug Control Register (BDCR, adr = 0x01C)

Breakpoint/Debug Control Register (BDCR) (Address = 0x01C)		
Bit(s)	Value	Description
7	0	Normal RST 28 operation.
	1	RST 28 is NOP.
6:0		These bits are reserved and should not be used.

8.6 Allocation of Extended Code and Data

The Dynamic C compiler compiles code to root code space or to extended code space. Root code starts in low memory and compiles upward.

Allocation of extended code starts above the root code and data. Allocation normally continues to the end of the flash memory.

Data variables are allocated to RAM working backwards in memory. Allocation normally starts at 52K in the 64K D space and continues. The 52K space must be shared with the root code and data, and is allocated upward from zero.

Dynamic C also supports extended data constants. These are mixed in with the extended code in flash.

8.7 Instruction and Data Space Support

Instruction and Data space (I and D space) support is accomplished by optionally inverting address lines A16 and/or A19 when the processor accesses D space, but not inverting those lines when the processor accesses I space. The MMIDR register (see Table 8-8) is used to control this inversion. It is important to understand that the bit inversion of A16 and A19 associated with I and D space occurs *before* the upper 2 bits of the 20-bit address are used to determine the quadrant and thus the bank register that is going to control memory access. This contrasts with the optional address bit inversion of A19 and A18 controlled by the 4 memory bank control registers (see Table 8-3) that takes place *after* the quadrant has been computed.

Table 8-8. Use of MMIDR Register to Control Inversion of Address Lines A16 and A19

Bits 7:5	Bit 4	Bit 3	Bit 2	Bit 1	Bit 0
000	1—force /CS1 always enabled	1—Invert A19 for data accesses in data segment before quadrant selection	1—Invert A16 for data accesses in data segment	1—Invert A19 for data accesses in root segment before quadrant selection	1—Invert A16 for data accesses in root segment.

To make this clear, let's look at an example. Suppose a 1 megabyte flash memory is controlled by /CS0, /WE0, and /OE0. Suppose this memory is accessed as part of the first quadrant and MB0CR is set up to enable /CS0 and /WE0 or /OE0 on accesses to this bank. Then if A18 and A19 are zero, the first 256K of the flash memory will be visible in the first 256K of the physical memory. If access is made to the second quadrant, the memory will not be selected unless MB1CR is mapped to the flash memory. However, if A18 is inverted by setting bit 4 in MB0CR to a 1, then the second 256K of the flash will be mapped into the first quadrant. A18 will have been inverted, but the quadrant does not change because this inversion occurs after the quadrant has been selected.

The inversion of A19 or A16 controlled by the MMIDR register on D space accesses is used to separate I and D space to different memory locations. The separation of I and D space can only occur for the first two memory zones in the 64K space. For each zone, the root code segment and the data segment either or both of A19 and A16 can be inverted. The reasoning behind these choices is that a normal memory map places flash memory in the lower 512K of the physical memory space. RAM memory begins at 512K. By inverting A19 on D space accesses, memory mapped to the lower 512K and held in flash will be switched to RAM for D accesses. By inverting A16, D accesses will be switched to an adjacent 64K page, which would normally still be in the lower 512K memory or flash. To see how this works consider that data are of two different types—constants stored in flash memory and variables, which must be stored in RAM. Because there are two types of data, it is desirable to divide the D space into two zones, one for constants and one for variables, as shown in Figure 8-5. In a combined I and D space model the root code segment holds both code and data constants in flash memory. The data segment holds data variables in RAM. In the separate I and D space model, the root code segment and the data segment

are mapped into contiguous regions of memory to create a continuous root code segment starting at the bottom of physical memory in flash. In the I space the division between the root segment and the data segment is irrelevant because the DATASEG register contains zero and the division between the segments defined by the lower 4 bits of the SEGSIZE register does not mark a division in physical memory for code space. However, if for D space accesses A16 is inverted for the root segment and A19 is inverted for the data segment, then root segment data is mapped to the next 64k of flash and data segment data is mapped to a place in memory 512K higher in the RAM. This divides the data space into two separate segments for constants and variables. If the stack segment (which is still combined I and D space) and the extended code segment (also combined I and D space) occupy 12K at the top of the 64K space, then the remaining 52K is doubled into a 52K code space in flash and a 52K data space, which may be split into two parts, one for constants and one for variables. The relative size of the two parts depends on the lower 4 bits of the SEGSIZE register, which define the 4K page boundary between the root segment and the data segment.

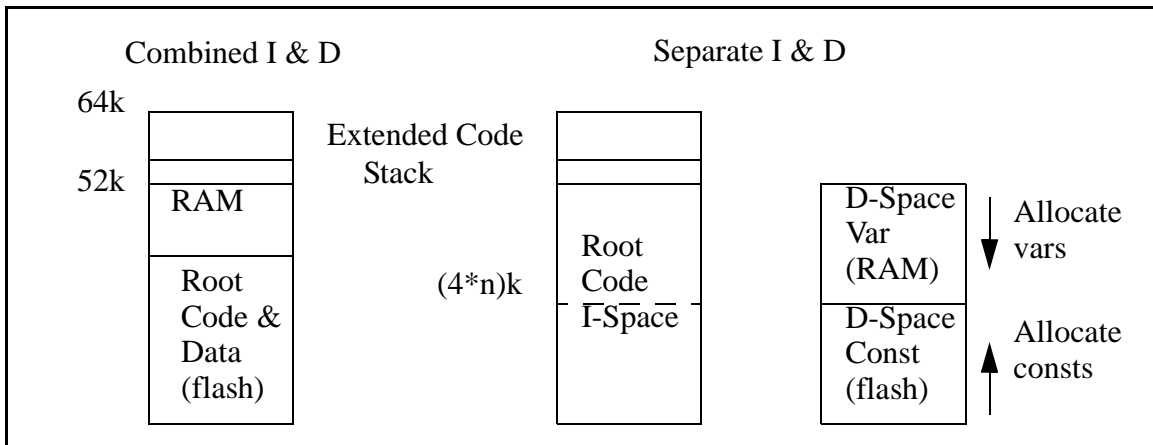


Figure 8-5. Combined versus Separate I & D Space

The use of physical memory that goes with this map is shown in Figure 8-6, "Use of Physical Memory Separate I & D Space Model," on page 126. In this figure "n" is the number of 4k pages devoted to D space constants. In the figure it is assumed that the lower 512k of memory is entirely composed of flash memory and the upper 512K is entirely RAM. This does not have to be the case. For example, if a low-cost 32K x 8 RAM is used and mapped to the 3rd quadrant using /CS1, the RAM memory will begin at 512K and will be repeated 8 times in the 3rd quadrant from addresses 512K to 768K. Since the memory repeats, it can be considered to start at any address and continue for 32K. At least 4K of RAM is needed for the stack segment, so if a 32K RAM is used, a maximum of 28K would be available for storing data variables. If more stack segments are needed, the amount of data variable space would be corresponding reduced.

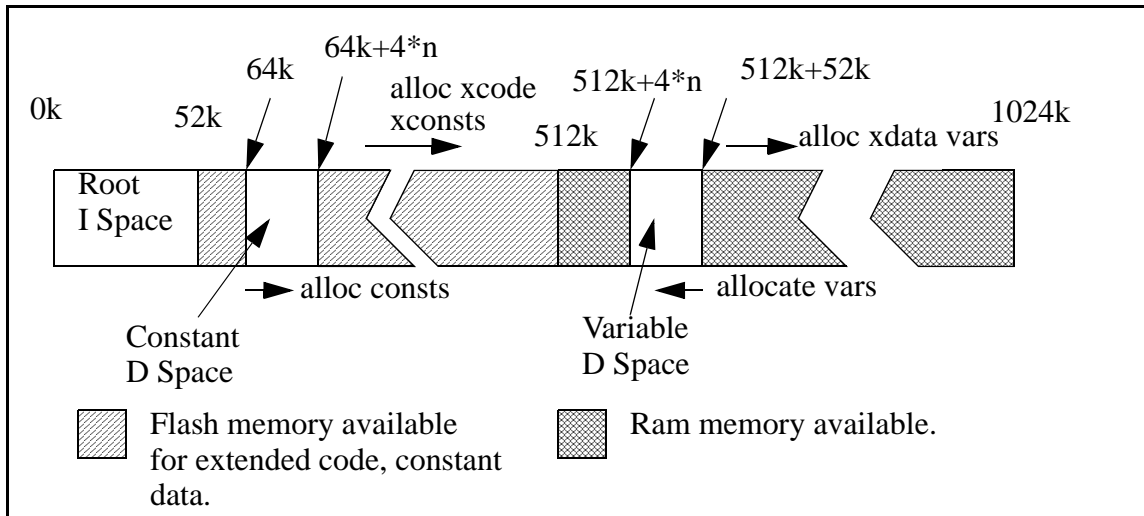


Figure 8-6. Use of Physical Memory Separate I & D Space Model

In Figure 8-6 arrows indicate the direction in which variables and constants are allocated as the compile or assemble proceeds. Each of these arrows starts at a constant location in physical memory. This is important because the Dynamic C debugging monitor needs to keep a small number of constants and variable in data space and it needs to be able to access these regardless of the state of the user program. The Dynamic C debugger variables are kept at the top of the data segment starting at 52k and working down in memory. The user-program variables are allocated by the compiler starting just below the Dynamic C debugger data. The Dynamic C constants start at address zero. User constants are allocated starting at a low address just above the Dynamic C constants.

8.8 How the Compiler Compiles to Memory

The compiler actually generates code for root code and constants and extended code and extended constants. It allocates space for data variables, but does not generate data bits to be stored in memory.

In any but the smallest programs, most of the code is compiled to extended memory. This code executes in the 8K window from E000 to FFFF. This 8K window uses paged access. Instructions that use 16-bit addressing can jump within the page and also outside of the page to the remainder of the 64K space. Special instructions, particularly long call, long jump and long return, are used to access code outside of the 8K window. When one of these transfer of control instructions is executed, both the address and the view through the 8K window or page are changed. This allows transfer to any instruction in the 1M memory space. The 8-bit XPC register controls which of the 256 4K pages the 8K window aligns with. The 16-bit PC controls the address of the instruction, usually in the region E000 to FFFF. The advantage of paged access is that most instructions continue to use 16-bit addressing. Only when an out-of-range transfer of control is made does a 20-bit transfer of control need to be made. The beauty of having a 4K minimum step in page alignment while the size of the page is 8K is that code can be compiled continuously without gaps caused by change of page. When the page is moved by 4K, the previous end of code is still visible in the window, provided that the midpoint of the page was crossed before moving the page alignment.

As the compiler compiles code in the extended code window, it checks at opportune times to see if the code has passed the midpoint of the window or F000. When the code passes F000, the compiler slides the window down by 4K so that the code at F000+x becomes resident at E000+x. This results in the code being divided into segments that are typically 4K long, but which can vary very short or as long as 8K. Transfer of control can be accomplished within each segment by 16-bit addressing; 20-bit addressing is required between segments.

9. PARALLEL PORTS

The Rabbit has seven 8-bit parallel ports designated A, B, C, D, E, F, and G. The pins used for the parallel ports are also shared with numerous other functions as shown in Table 5-2. The important properties of the ports are summarized below.

- Port A—Shared with the slave port data interface and auxiliary I/O data bus.
- Port B—Shared with control lines for slave port, auxiliary I/O address bus, and clock I/O for clocked serial mode option for Serial Ports A and B.
- Port C—Shared with serial port data I/O.
- Port D—4 bits shared with alternate I/O pins for Serial Ports A and B. 4 bits not shared. Port D can be configured as open drain outputs. Port D also contains output preload registers that can be clocked into the output registers under timer control for pulse generation.
- Port E—All bits of Port E can be configured as I/O strobes. 4 bits of port E can be used as external interrupt inputs. One bit of port E is shared with the slave port chip select. Port E has output preload registers that can be clocked into the output registers under timer control for pulse generation.
- Port F— As outputs, Port F can be configured as open drain outputs. Alternatively, Parallel Port F outputs can carry the four Pulse-Width Modulator outputs. As inputs, Parallel Port F inputs can carry the inputs to the two channels of the quadrature decoders. Port F pins can also be configured to be used as clock pins for clocked Serial Ports C and D.
- Port G—As outputs, Port G can be configured as open drain outputs. Port G inputs and outputs are also used for access to other serial peripherals on the chip such as those used for asynchronous or SDLC/HDLC communication.
- Parallel Ports D–G behave in the same manner when used as digital I/O.

NOTE: There may be a conflict in using Parallel Port A and Parallel Port F. Either Parallel Port A can be used as inputs, in which case Parallel Port F has full function, or if Parallel Port A cannot be used as inputs, use any pins on Parallel Port F not used for PWM or serial clock outputs as inputs and take the precaution of setting up Parallel Port F before the conflicting functionality of Parallel Port A is enabled. Refer to Section 9.6.1, “Using Parallel Port A and Parallel Port F,” for more information.

9.1 Parallel Port A

Parallel Port A has a single read/write register:

Table 9-1. Parallel Port A Registers

Register Name	Mnemonic	I/O address	R/W	Reset
Port A Data Register	PADR	0x30	R/W	xxxxxxxx
Slave Port Control Register	SPCR	0x24	R/W	0xx00000

Table 9-2. Parallel Port A Data Register Bit Functions

	Bit 7	Bit 6	Bit 5	Bit 4	Bit 3	Bit 2	Bit 1	Bit 0
PADR (R/W) adr = 0x030	PA7	PA6	PA5	PA4	PA3	PA2	PA1	PA0

This register should not be used if the slave port or auxiliary I/O bus is enabled.

The slave port control register is used to control whether Parallel Port A is configured as slave databus, auxiliary I/O data bus, parallel Input or parallel output. To make the port an input, store 0x080 in the SPCR (slave port control register). To make the port an output, store 0x084 in SPCR. Parallel Port A is set up as an input port on reset.

When the port is read, the value read reflects the voltages on the pins, "1" for high and "0" for low. This could be different than the value stored in the output register if the pin is forced to a different state by an external voltage.

NOTE: Refer to Section 9.6.1, "Using Parallel Port A and Parallel Port F," for more information.

9.2 Parallel Port B

Parallel Port B, has eight pins that can be programmed individually to be inputs and outputs.

After reset, Parallel Port B comes up as six inputs (PB[5:0]) and two outputs (PB7 and PB6). The output value on pins PB6 and PB7 (package pins 99, 100) will be low.

Table 9-3. Parallel Port B Registers

Register Name	Mnemonic	I/O address	R/W	Reset
Port B Data Register	PBDR	0x40	R/W	00xxxxxx
Port B Data Direction Register	PBDDR	0x47	W	11000000

Table 9-4. Parallel Port B Register Bit Functions

	Bit 7	Bit 6	Bit 5	Bit 4	Bit 3	Bit 2	Bit 1	Bit 0
PBDR (R/W) adr = 0x040	PB7	PB6	PB5	PB4	PB3	PB2	PB1	PB0
PBDDR (W) adr = 0x047	dir = out	dir = out	dir = out	dir = out	dir = out	dir = out	dir = out	dir = out

When the auxiliary I/O bus is enabled, Parallel Port B bits 2:7 provide 6 address lines, the least significant 6 lines of the 16 lines that define the full I/O space.

When the slave port is enabled, parallel port lines PB2–PB7 are assigned to various slave port functions. However, it is still possible to read PB0–PB5 using the Port B data register even when lines PB2–PB7 are used for the slave port. It is also possible to read the signal driving PB6 and PB7 (this signal is on the signaling lines from the slave port logic).

Regardless of whether the slave port is enabled, PB0 reflects the input of the pin unless Serial Port B has its internal clock enabled, which causes this line to be driven by the serial port clock. PB1 reflects the input of the pin unless Serial Port A has its internal clock enabled.

- PBDR—Parallel Port B data register. Read/Write.
- PBDDR—Parallel Port B data direction register. A "1" makes the corresponding pin an output. This register is write only.

9.3 Parallel Port C

Parallel Port C, shown in Table 9-6, has four inputs and four outputs. The even-numbered ports, PC0, PC2, PC4, and PC6, are outputs. The odd-numbered ports, PC1, PC3, PC5, and PC7, are inputs. When the data register is read, bits 1,3,5,7 return the value of the voltage on the pin. Bits 0,2,4,6 return the value of the signal driving the output buffers. The signal driving the output buffers and the value of the output pin are normally the same. Either the Port C data register is driving these pins or one of the serial port transmit lines is driving the pin. The bits set in the PCFR Parallel Port C Function Register identify whether the data register or the serial port transmit lines were driving the pins.

Table 9-5. Parallel Port C Registers

Register Name	Mnemonic	I/O address	R/W	Reset
Port C Data Register	PCDR	0x50	R/W	x0x1x1x1
Port C Function Register	PCFR	0x55	W	x0x0x0x0

Table 9-6. Parallel Port C Register Bit Functions

	Bit 7	Bit 6	Bit 5	Bit 4	Bit 3	Bit 2	Bit 1	Bit 0
PCDR (r) adr = 0x050	PC7 in	Echo drive	PC5 in	Echo drive	PC3 in	Echo drive	PC1 in	Echo drive
PCDR (w) adr = 0x050	x	PC6	x	PC4	x	PC2	x	PC0
PCFR (w) adr = 0x055	x	Drive TXA	x	Drive TXB	x	Drive TXC	x	Drive TXD

Parallel Port C shares its pins with serial ports A-D. The parallel port inputs can be configured as serial port inputs while the dedicated outputs as serial port outputs.

When serving as serial inputs, the data lines can still be read from the Parallel Port C data register. The parallel port outputs can be selected to be serial port outputs by setting the corresponding bit positions in the Port C Function register (PCFR). When a parallel port output pin is selected to be a serial port output, the value stored in the data register is ignored.

On reset the active (even-numbered) function register bits are zeroed resulting in Port C to behave as an I/O port. Bit 6 of the Port C data register is zeroed while the remaining even numbered bits are set to 1.

9.4 Parallel Port D

Parallel Port D, shown in Figure 9-1, has eight pins that can be programmed individually to be inputs or outputs. When programmed as outputs, the pins can be individually selected to be open-drain outputs or standard outputs. Port D pins can be addressed by bit if desired. The output registers are cascaded and timer-controlled, making it possible to generate precise timing pulses. Port D bits 4 and 5 can be used as alternate bits for Serial Port B, and bits 6 and 7 can be used as alternate bits for Serial Port A. Alternate serial port bit assignments make it possible for the same serial port to connect to different communications lines that are not operating at the same time.

On reset, the data direction register is zeroed, making all pins inputs. In addition certain bits in the control register are zeroed (bits 0,1,4,5) to ensure that data is clocked into the output registers when loaded. All other registers associated with port D are not initialized on reset.

Table 9-7. Parallel Port D Registers

Register Name	Mnemonic	I/O address	R/W	Reset
Port D Data Register	PDDR	0x60	R/W	xxxxxxxx
Port D Control Register	PDCR	0x64	W	xx00xx00
Port D Function Register	PDFR	0x65	W	xxxxxxxx
Port D Drive Control Register	PDDCR	0x66	W	xxxxxxxx
Port D Data Direction Register	PDDDR	0x67	W	00000000
Port D Bit 0 Register	PDB0R	0x68	W	xxxxxxxx
Port D Bit 1 Register	PDB1R	0x69	W	xxxxxxxx
Port D Bit 2 Register	PDB2R	0x6A	W	xxxxxxxx
Port D Bit 3 Register	PDB3R	0x6B	W	xxxxxxxx
Port D Bit 4 Register	PDB4R	0x6C	W	xxxxxxxx
Port D Bit 5 Register	PDB5R	0x6D	W	xxxxxxxx
Port D Bit 6 Register	PDB6R	0x6E	W	xxxxxxxx
Port D Bit 7 Register	PDB7R	0x6F	W	xxxxxxxx

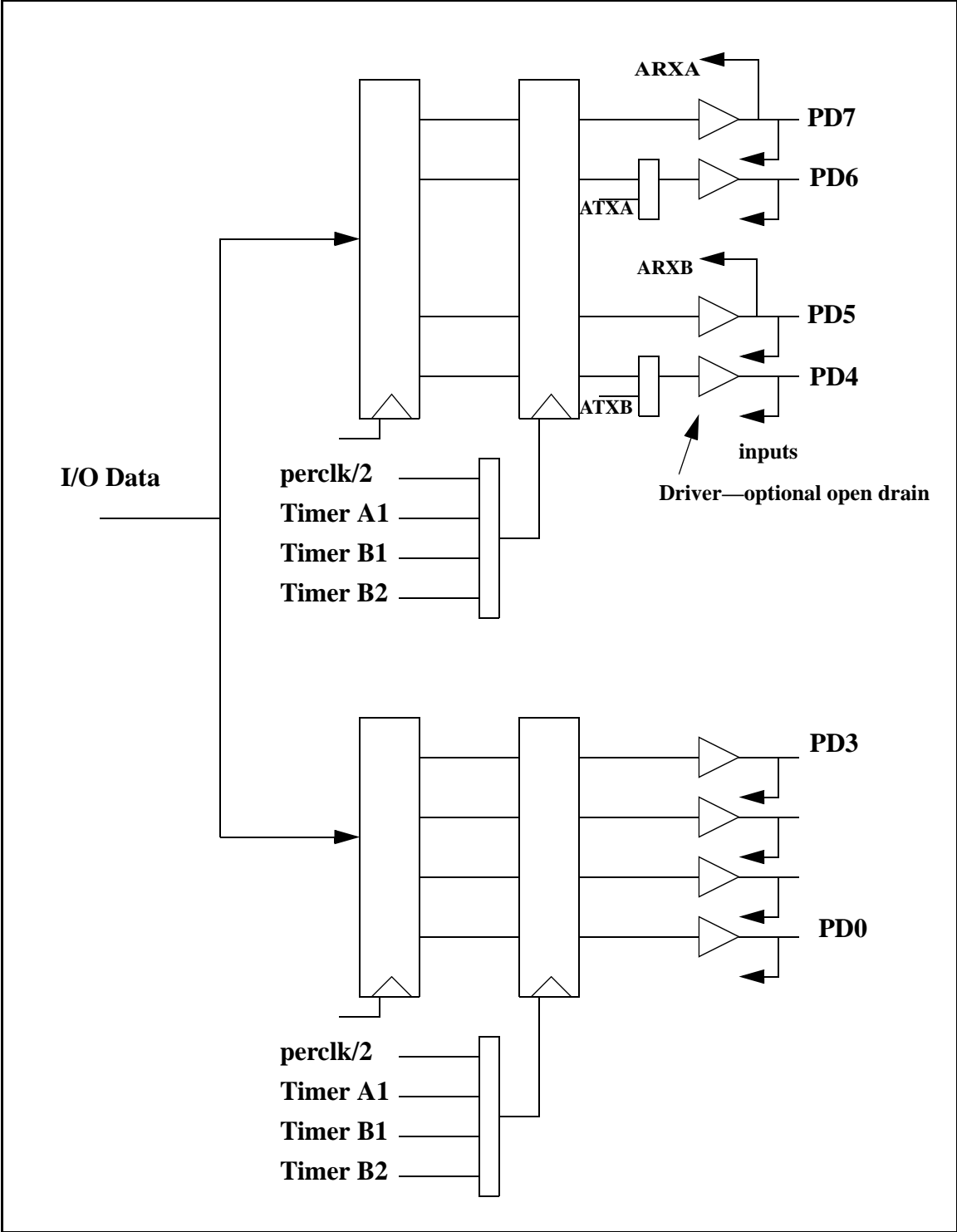


Figure 9-1. Parallel Port D Block Diagram

Table 9-8. Parallel Port D Register functions

	Bit 7	Bit 6	Bit 5	Bit 4	Bit 3	Bit 2	Bit 1	Bit 0
PDDR (R/W) adr = 0x060	PD7	PD6	PD5	PD4	PD3	PD2	PD1	PD0
PDDCR (W) adr = 0x066	out = open drain	out = open drain	out = open drain	out = open drain	out = open drain	out = open drain	out = open drain	out = open drain
PDFR (W) adr = 0x065	x	alt TXA	x	alt TXB	x	x	x	x
PDDDR (W) adr = 0x067	dir = out	dir = out	dir = out	dir = out	dir = out	dir = out	dir = out	dir = out
PDB0R (W) adr = 0x068	x	x	x	x	x	x	x	PD0
PDB1R (W) adr = 0x069	x	x	x	x	x	x	PD1	x
PDB2R (W) adr = 0x06A	x	x	x	x	x	PD2	x	x
PDB3R (W) adr = 0x06B	x	x	x	x	PD3	x	x	x
PDB4R (W) adr = 0x06C	x	x	x	PD4	x	x	x	x
PDB5R (W) adr = 0x06D	x	x	PD5	x	x	x	x	x
PDB6R (W) adr = 0x06E	x	PD6	x	x	x	x	x	x
PDB7R (W) adr = 0x06F	PD7	x	x	x	x	x	x	x

Table 9-9. Parallel Port D Control Register (adr = 0x064)

Bits 7, 6	Bits 5, 4	Bits 3, 2	Bits 1, 0
x,x	00—clock upper nibble on pclk/2 01—clock on timer A1 10—clock on timer B1 11—clock on timer B2	x,x	00—clock lower nibble on pclk/2 01—clock on timer A1 10—clock on timer B1 11—clock on timer B2

The following registers are described in Table 9-8 and in Table 9-9.

- PDDR—Parallel Port D data register. Read/Write.
- PDDDR—Parallel Port D data direction register. A "1" makes the corresponding pin an output. Write only.
- PDDCR—Parallel Port D drive control register. A "0" makes the corresponding pin a regular output. A "1" makes the corresponding pin an open-drain output. Write only.
- PDFR—Parallel Port D function control register. This port may be used to make port positions 4 and 6 be serial port outputs. Write only.
- PDBxR—These eight registers may be used to set outputs on individual port positions.
- PDCR—Parallel Port D control register. This register is used to control the clocking of the upper and lower nibble of the final output register of the port. On reset, bits 0, 1, 4, and 5 are reset to zero.

9.5 Parallel Port E

Parallel Port E, shown in Figure 9-2, has eight I/O pins that can be individually programmed as inputs or outputs. PE7 is used as the slave port chip select when the slave port is enabled. Each of the port E outputs can be configured as an I/O strobe. In addition, four of the port E lines can be used as interrupt request inputs. The output registers are cascaded and timer-controlled, making it possible to generate precise timing pulses.

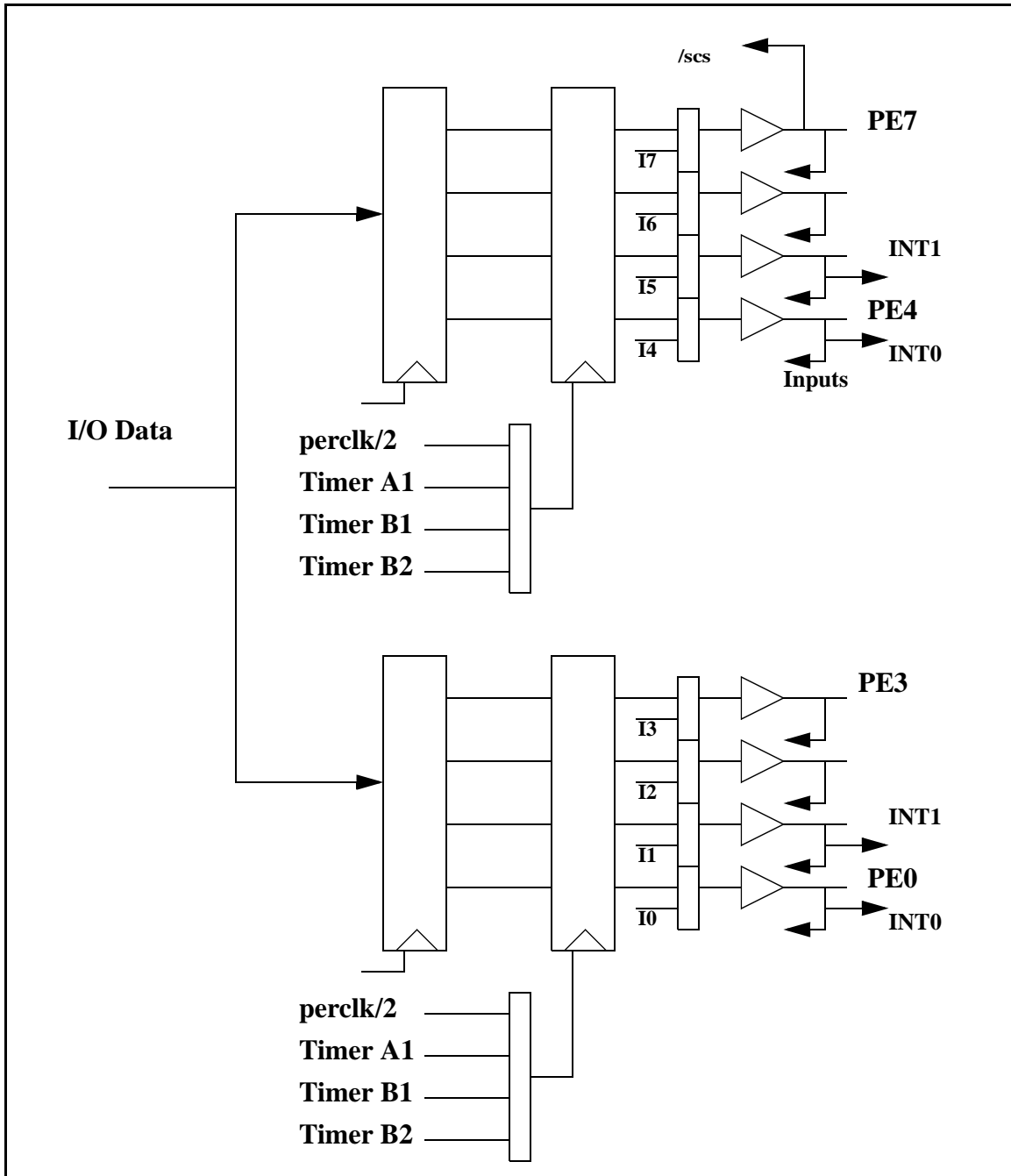


Figure 9-2. Parallel Port E Block Diagram

Table 9-10. Parallel Port E Registers

Register Name	Mnemonic	I/O address	R/W	Reset
Port E Data Register	PEDR	0x70	R/W	xxxxxxxx
Port E Control Register	PECR	0x74	W	xx00xx00
Port E Function Register	PEFR	0x75	W	00000000
Port E Data Direction Register	PEDDR	0x77	W	00000000
Port E Bit 0 Register	PEB0R	0x78	W	xxxxxxxx
Port E Bit 1 Register	PEB1R	0x79	W	xxxxxxxx
Port E Bit 2 Register	PEB2R	0x7A	W	xxxxxxxx
Port E Bit 3 Register	PEB3R	0x7B	W	xxxxxxxx
Port E Bit 4 Register	PEB4R	0x7C	W	xxxxxxxx
Port E Bit 5 Register	PEB5R	0x7D	W	xxxxxxxx
Port E Bit 6 Register	PEB6R	0x7E	W	xxxxxxxx
Port E Bit 7 Register	PEB7R	0x7F	W	xxxxxxxx

The following registers are described in Table 9-11 and in Table 9-12.

- PEDR—Port E data register. Reads value at pins. Writes to port E preload register.
- PEDDR—Port E data direction register. Set to "1" to make corresponding pin an output. This register is zeroed on reset.
- PEFR—Port E function register. Set bit to "1" to make corresponding output an I/O strobe. The nature of the I/O strobe is controlled by the I/O bank control registers (IBxCR). The data direction must be set to output for the I/O strobe to work.
- PEBxR—These are individual registers to set individual output bits on or off.
- PECR—Parallel Port E control register. This register is used to control the clocking of the upper and lower nibble of the final output register of the port. On reset, bits 0, 1, 4, and 5 are reset to zero.

On reset, the data direction register and function register are zeroed, making all pins inputs, and disabling the alternate output functions. In addition certain bits in the control register are zeroed (bits 0,1,4,5) to ensure that data is clocked into the output registers when loaded. All other registers associated with Port E are not initialized on reset.

Table 9-11. Parallel Port E Register functions

	Bit 7	Bit 6	Bit 5	Bit 4	Bit 3	Bit 2	Bit 1	Bit 0
PEDR (R/W) adr = 0x070	PE7	PE6	PE5	PE4	PE3	PE2	PE1	PE0
PEFR (W) adr = 0x075	alt /I7	alt /I6	alt /I5	alt /I4	alt /I3	alt /I2	alt /I1	alt /I0
PEDDR (W) adr = 0x077	dir = out	dir = out	dir = out	dir = out	dir = out	dir = out	dir = out	dir = out
PEB0R (W) adr = 0x078	x	x	x	x	x	x	x	PE0
PEB1R (W) adr = 0x079	x	x	x	x	x	x	PE1	x
PEB2R (W) adr = 0x07A	x	x	x	x	x	PE2	x	x
PEB3R (W) adr = 0x07B	x	x	x	x	PE3	x	x	x
PEB4R (W) adr = 0x07C	x	x	x	PE4	x	x	x	x
PEB5R (W) adr = 0x07D	x	x	PE5	x	x	x	x	x
PEB6R (W) adr = 0x07E	x	PE6	x	x	x	x	x	x
PEB7R (W) adr = 0x07F	PE7	x	x	x	x	x	x	x

Table 9-12. Parallel Port E Control Register (adr = 0x074)

Bits 7, 6	Bits 5, 4	Bits 3, 2	Bits 1, 0
x,x	00—clock upper nibble on pclk/2 01—clock on timer A1 10—clock on timer B1 11—clock on timer B2	x,x	00—clock lower nibble on pclk/2 01—clock on timer A1 10—clock on timer B1 11—clock on timer B2

9.6 Parallel Port F

Parallel Port F is a byte-wide port with each bit programmable for data direction and drive. These are simple inputs and outputs controlled and reported in the Port F Data Register. As outputs, the bits of the port are buffered, with the data written to the Port F Data Register transferred to the output pins on a selected timing edge. The outputs of Timer A1, Timer B1, or Timer B2 can be used for this function, with each nibble of the port having a separate select field to control this timing.

These inputs and outputs are also used for access to other peripherals on the chip. As outputs, the Parallel Port F outputs can carry the four Pulse-Width Modulator outputs. As inputs, Parallel Port F inputs can carry the inputs to the quadrature decoders. When Serial Port C or Serial Port D is used in the clocked serial mode, two pins of Parallel Port F are used to carry the serial clock signals. When the internal clock is selected in these serial ports, the corresponding bit of Parallel Port F is set as an output.

The Parallel Port F registers and their functions are described in Table 9-14 and in Table 9-15.

Table 9-13. Parallel Port F Registers

Register Name	Mnemonic	I/O address	R/W	Reset
Port F Data Register	PFDR	0x38	R/W	xxxxxxxx
Port F Control Register	PFCR	0x3C	W	xx00xx00
Port F Function Register	PFFR	0x3D	W	xxxxxxxx
Port F Drive Control Register	PFDCR	0x3E	W	xxxxxxxx
Port F Data Direction Register	PFDDR	0x3F	W	00000000

Table 9-14. Parallel Port F Register Functions

	Bit 7	Bit 6	Bit 5	Bit 4	Bit 3	Bit 2	Bit 1	Bit 0
PFDR (R/W) adr = 0x038	PF7	PF6	PF5	PF4	PF3	PF2	PF1	PF0
PFFR (W) adr = 0x03D	pwm[3]	pwm[2]	pwm[1]	pwm[0]	x	x	sclk_c	sclk_d
PFDCR (W) adr = 0x03E	out = open drain	out = open drain	out = open drain	out = open drain	out = open drain	out = open drain	out = open drain	out = open drain
PFDDR (W) adr = 0x03F	dir = out	dir = out	dir = out	dir = out	dir = out	dir = out	dir = out	dir = out

Table 9-15. Parallel Port F Control Register (adr = 0x03C)

Bits 7, 6	Bits 5, 4	Bits 3, 2	Bits 1, 0
x,x	00—clock upper nibble on pclk/2 01—clock on timer A1 10—clock on timer B1 11—clock on timer B2	x,x	00—clock lower nibble on pclk/2 01—clock on timer A1 10—clock on timer B1 11—clock on timer B2

The following registers are described in Table 9-14 and in Table 9-15.

- PFDR—Port F data register. Reads value at pins. Writes to port F preload register.
- PFCR—Parallel Port F control register. This register is used to control the clocking of the upper and lower nibble of the final output register of the port. On reset, bits 0, 1, 4, and 5 are reset to zero.
- PFFR—Port F function register. Set bit to "1" to enable alternate output function. Bits 7-4 enable the PWM outputs and bits 1-0 enable synchronous serial ports C and D clock outputs for when the serial port is configured for internal clock generation.
- PFDCR—Parallel Port F drive control register. A "0" makes the corresponding pin a regular output. A "1" makes the corresponding pin an open-drain output. Write only.
- PFDDR—Port F data direction register. Set to "1" to make corresponding pin an output. This register is zeroed on reset.

On reset, the data direction register is zeroed, making all pins inputs. In addition certain bits in the control register are zeroed (bits 0,1,4,5) to ensure that data is clocked into the output registers when loaded. All other registers associated with port F are not initialized on reset.

9.6.1 Using Parallel Port A and Parallel Port F

A bug has been discovered in the Rabbit 3000 that results in a conflict between Parallel Port F and Parallel Port A under certain conditions. This bug has been corrected in versions of the Rabbit chip designated 3000A and later. See Appendix B for further details.

The bug is rooted in an incomplete address decode for the data output register for Parallel Port A. This register responds to any of 16 addresses 30 to 3F (hex). When Parallel Port F was added, the addresses 38 to 3F were used, and the decode for Parallel Port A was not updated.

There are five registers in Parallel Port F at addresses in the range of 38 to 3F. Writing to any of these registers will also cause a write to the Parallel Port A output register, which is identical to the slave port number zero output register. If Parallel Port A is used as input register or if the auxiliary I/O bus (which uses the pins of Parallel Port A as a data bus) is enabled, then the spurious write has no effect on operation because the Parallel Port A output register is not used. However if Parallel Port A is used as an output or is used as the bidirectional bus of the slave port, then writing to any of the Parallel Port F registers will cause a spurious write to the Parallel Port A register, which will have a spurious effect on the operation of the Rabbit 3000 chip.

The functionality of the Parallel Port F pins is not affected for pulse width modulation outputs and serial clock outputs, except that the Parallel Port F function and direction registers should be set up before a conflicting function on Parallel Port A is in use, since writing to these registers also writes to the Parallel Port A output register.

9.6.1.1 Summary

Parallel Port A	Parallel Port F
• Parallel Inputs	• Full Functionality
• Parallel Outputs	• Parallel Inputs, PWM, Serial Port Clocks
• Slave Port	• Parallel Inputs, PWM, Serial Port Clocks
• Auxiliary I/O Bus	• Full Functionality

- If you enable the auxiliary I/O bus, which uses Parallel Port A, then the bug does not manifest itself and you can use the full functionality of Parallel Port F.
- If you use Parallel Port A as inputs, then the bug does not manifest itself and the full functionality of Parallel Port F is available.
- If you use Parallel Port A as outputs, then you cannot use Parallel Port F pins as outputs too, except that you can use the PWM and clock outputs provided that you are aware that writing to the control registers of Parallel Port F will also write to the data output register of Parallel Port A. A simple way to resolve this is to leave Parallel Port A as an input until you complete the setup of Parallel Port F and then switch Parallel Port A to be an output. You can always use pins on Parallel Port F as inputs.
- If you enable the slave port, then you cannot use Parallel Port F as parallel outputs, but you can still use the other output functions of Parallel Port F following the precautions regarding setup described above.

The easiest approach to avoid any problem when there is a conflict is to assign inputs and outputs in such a manner as to avoid the bug. Either Parallel Port A can be used as inputs, in which case Parallel Port F has full function, or if Parallel Port A cannot be used as inputs, use any pins on Parallel Port F not used for PWM or serial clock outputs as inputs and take the precaution of setting up Parallel Port F before the conflicting functionality of Parallel Port A is enabled.

9.7 Parallel Port G

Parallel Port G is a byte-wide port with each bit programmable for data direction and drive. These are simple inputs and outputs controlled and reported in the Port G Data Register. As outputs, the bits of the port are buffered, with the data written to the Port G Data Register transferred to the output pins on a selected timing edge. The outputs of Timer A1, Timer B1, or Timer B2 can be used for this function, with each nibble of the port having a separate select field to control this timing.

These inputs and outputs are also used for access to other peripherals on the chip. As outputs, Port G can carry the data and clock outputs from Serial Ports E and F. As inputs, Port G can carry the data and clock inputs for these two serial ports.

The following registers are described in Table 9-17 and in Table 9-18.

Table 9-16. Parallel Port G Registers

Register Name	Mnemonic	I/O address	R/W	Reset
Port G Data Register	PGDR	0x48	R/W	xxxxxxxx
Port G Control Register	PGCR	0x4C	W	xx00xx00
Port G Function Register	PGFR	0x4D	W	xxxxxxxx
Port G Drive Control Register	PGDCR	0x4E	W	xxxxxxxx
Port G Data Direction Register	PGDDR	0x4F	W	00000000

Table 9-17. Parallel Port G Data Register Functions

	Bit 7	Bit 6	Bit 5	Bit 4	Bit 3	Bit 2	Bit 1	Bit 0
PGDR (R/W) adr = 0x048	PG7	PG6	PG5	PG4	PG3	PG2	PG1	PG0
PGFR (W) adr = 0x04D	x	SOUT_E	RCLK_E	TCLK_E	x	SOUT_F	RCLK_F	TCLK_F
PGDCR (W) adr = 0x04E	out = open drain	out = open drain	out = open drain	out = open drain	out = open drain	out = open drain	out = open drain	out = open drain
PGDDR (W) adr = 0x04F	dir = out	dir = out	dir = out	dir = out	dir = out	dir = out	dir = out	dir = out

Table 9-18. Parallel Port G Control Register (adr= 0x04C)

Bits 7, 6	Bits 5, 4	Bits 3, 2	Bits 1, 0
x,x	00—clock upper nibble on pclk/2 01—clock on timer A1 10—clock on timer B1 11—clock on timer B2	x,x	00—clock lower nibble on pclk/2 01—clock on timer A1 10—clock on timer B1 11—clock on timer B2

The following registers are described in Table 9-17 and in Table 9-18.

- PGDR—Port G data register. Reads value at pins. Writes to port G preload register.
- PGCR—Parallel Port G control register. This register is used to control the clocking of the upper and lower nibble of the final output register of the port. On reset, bits 0, 1, 4, and 5 are reset to zero.
- PGFR—Port G function register. Set bit to "1" to enable alternate output function. Bits 6 and 2 enable the asynchronous or SDLC/HDLC serial ports E and F outputs. And bits 5-4 and 1-0 enable the SDLC/HDLC transmit and receive clock outputs for serial ports E and F.
- PGDCR—Parallel Port G drive control register. A "0" makes the corresponding pin a regular output. A "1" makes the corresponding pin an open-drain output. Write only.
- PGDDR—Port G data direction register. Set to "1" to make corresponding pin an output. This register is zeroed on reset.

On reset, the data direction register is zeroed, making all pins inputs. In addition certain bits in the control register are zeroed (bits 0,1,4,5) to ensure that data is clocked into the output registers when loaded. All other registers associated with port G are not initialized on reset.

10. I/O BANK CONTROL REGISTERS

The pins of Port E can be set individually to be I/O strobes. Each of the eight possible I/O strobes has a control register that controls the nature of the strobe and the number of wait states that will be inserted in the I/O bus cycle. Writes can also be suppressed for any of the strobes. The types of strobes are shown in Figure 10-1. Each of the eight I/O strobes is active for addresses occupying 1/8th of the 64K external I/O address space.

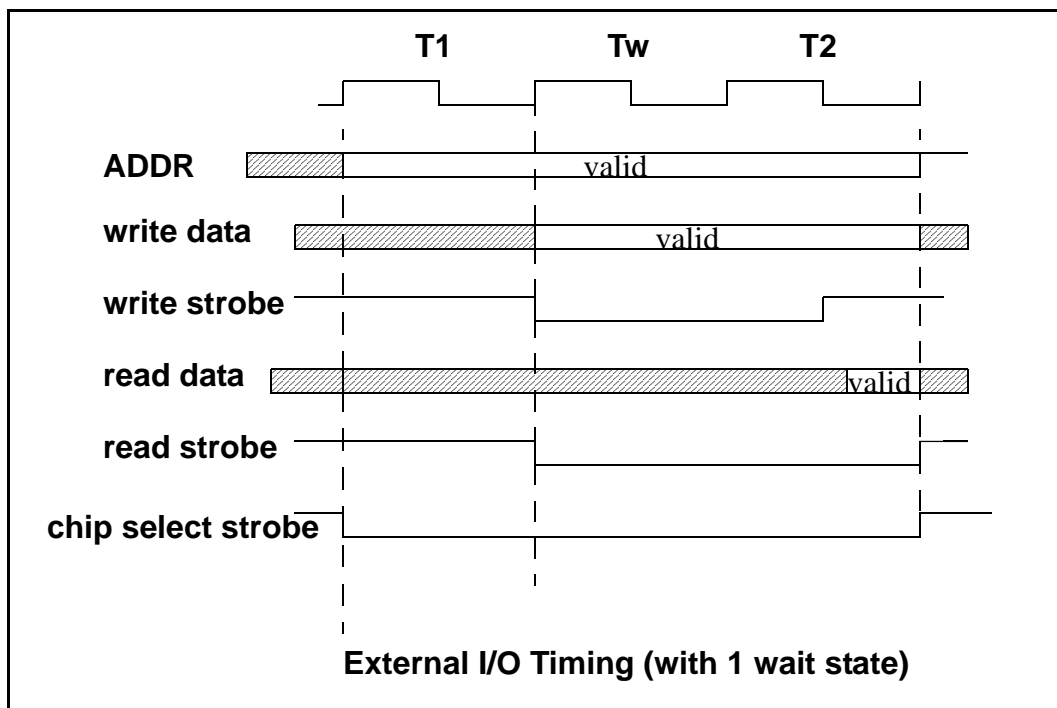


Figure 10-1. External I/O Bus Cycles

Table 10-1 shows how the eight I/O bank control registers are organized.

Table 10-1. I/O Bank x Control Register

I/O Bank x Control Register		
		(IB0CR) (Address = 0x0080)
		(IB1CR) (Address = 0x0081)
		(IB2CR) (Address = 0x0082)
		(IB3CR) (Address = 0x0083)
		(IB4CR) (Address = 0x0084)
		(IB5CR) (Address = 0x0085)
		(IB6CR) (Address = 0x0086)
		(IB7CR) (Address = 0x0087)
Bit(s)	Value	Description
7:6	00	Fifteen wait states for accesses in this bank.
	01	Seven wait states for accesses in this bank.
	10	Three wait states for accesses in this bank.
	11	One wait state for accesses in this bank.
5:4	00	The Ix signal is an I/O chip select.
	01	The Ix signal is an I/O read strobe.
	10	The Ix signal is an I/O write strobe.
	11	The Ix signal is an I/O data (read or write) strobe.
3	0	Writes are not allowed to this bank. Transactions are normal in every other way; only the write strobe is inhibited.
	1	Writes are allowed to this bank.
2	0	I/O strobe (Ix) is active low.
	1	I/O strobe (Ix) is active high.
1:0		These bits are ignored.

The eight I/O bank control registers determine the number of I/O wait states applied to an external I/O access within the zone controlled by each register even if the associated strobes are not enabled. Note that the /IORD and /IOWR signals reflect these registers as well.

The control over the generation of wait states is independent of whether or not the associated strobe in Port E is enabled. The upper 2 bits of each register determine the number of wait states. The four choices are 1, 3, 7, or 15 wait states. On reset, the bits are cleared, resulting in 15 wait states. There is always at least one external I/O wait state, and thus the minimum external I/O read cycle is three clocks long. The inhibit write function applies to both the Port E write strobes and the /IOWR signal.

These control bits have no effect on the internal I/O space, which does not have wait states associated with read or write access. Internal I/O read or write cycles are two clocks long.

The I/O strobes greatly simplify the interfacing of external devices. On reset, the upper 5 bits of each register are cleared. Parallel Port E will not output these signals unless the data-direction register bits are set for the desired output positions. In addition, the Port E function register must be set to "1" for each position.

Each I/O bank is selected by the three most significant bits of the 16-bit I/O address. Table 10-2 shows the relationship between the I/O control register and its corresponding space in the 64K address space.

Table 10-2. External I/O Register Address Range and Pin Mapping

Control Register	Port E Pin	I/O Address A[15:13]	I/O Address Range
IB0CR	PE0	000	0x0000–0x1FFF
IB1CR	PE1	001	0x2000–0x3FFF
IB2CR	PE2	010	0x4000–0x5FFF
IB3CR	PE3	011	0x6000–0x7FFF
IB4CR	PE4	100	0x8000–0x9FFF
IB5CR	PE5	101	0xA000–0xBFFF
IB6CR	PE6	110	0xC000–0xDFFF
IB7CR	PE7	111	0xE000–0xFFFF

11. TIMERS

There are two timers—Timer A and Timer B. Timer A is intended mainly for generating the clock for various peripherals, baud clock for the serial ports, a periodic clock for clocking Parallel Ports D and E, or for generating periodic interrupts. Timers A1–A7 are general-purpose timers, and Timers A8–A10 are dedicated to specific peripherals. Timer B can be used for the same functions, but it cannot generate the baud clock. Timer B is more flexible when it can be used because the program can read the time from a continuously running counter and events can be programmed to occur at a specified future time.

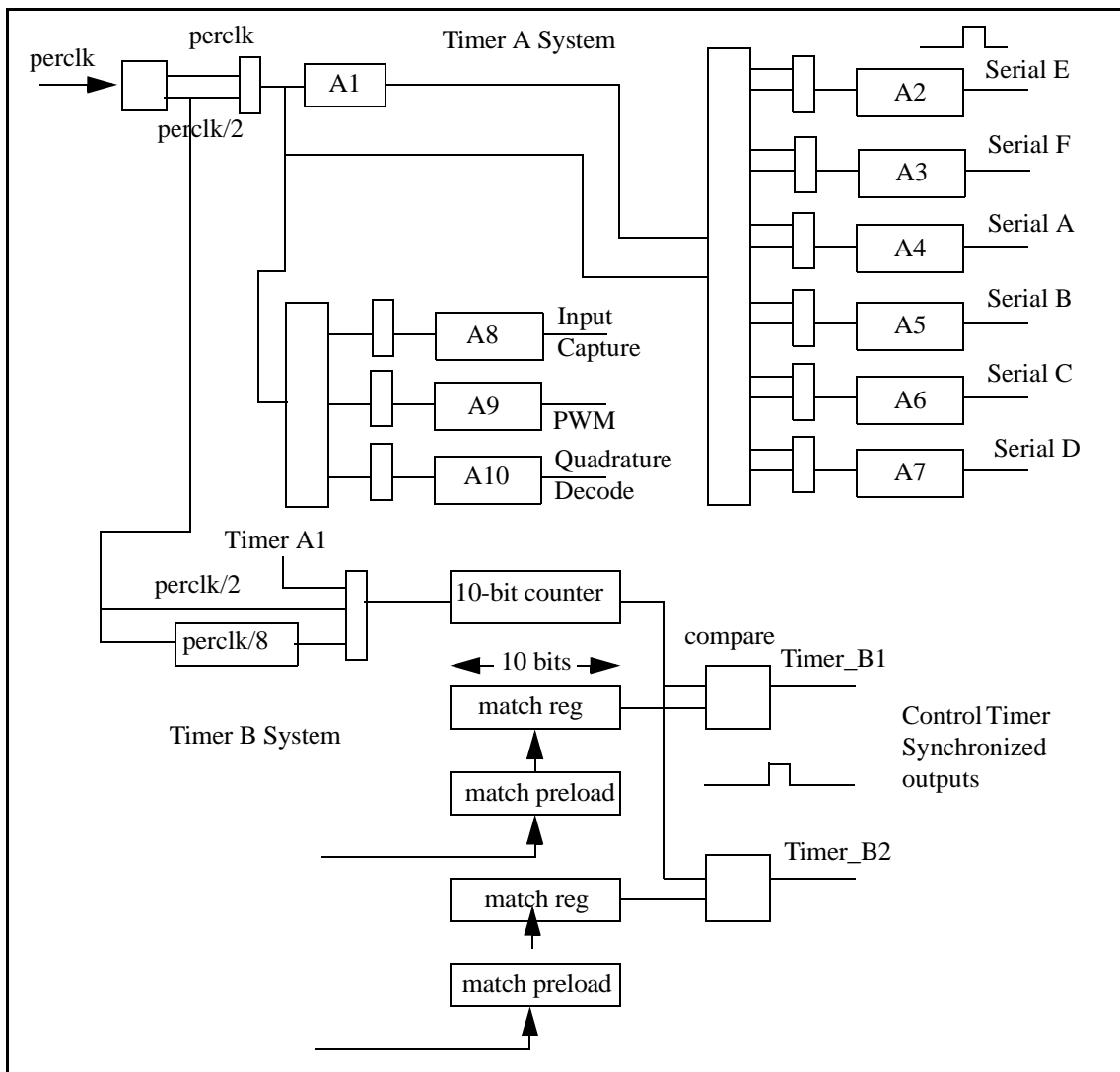


Figure 11-1. Block Diagram of Timers A and B

11.1 Timer A

Timer A consists of ten separate countdown timers A1–A10 as shown in Figure 11-1.

Timers A1 and A2–A10 are 8-bit countdown registers as shown in Figure 11-2. The reload register can contain any number in the range from 0 to 255. The counter divides by $(n+1)$. For example, if the reload register contains 127, then 128 pulses enter on the left before a pulse exits on the right. If the reload register contains zero, then each pulse on the left results in a pulse on the right, that is, there is division by one.

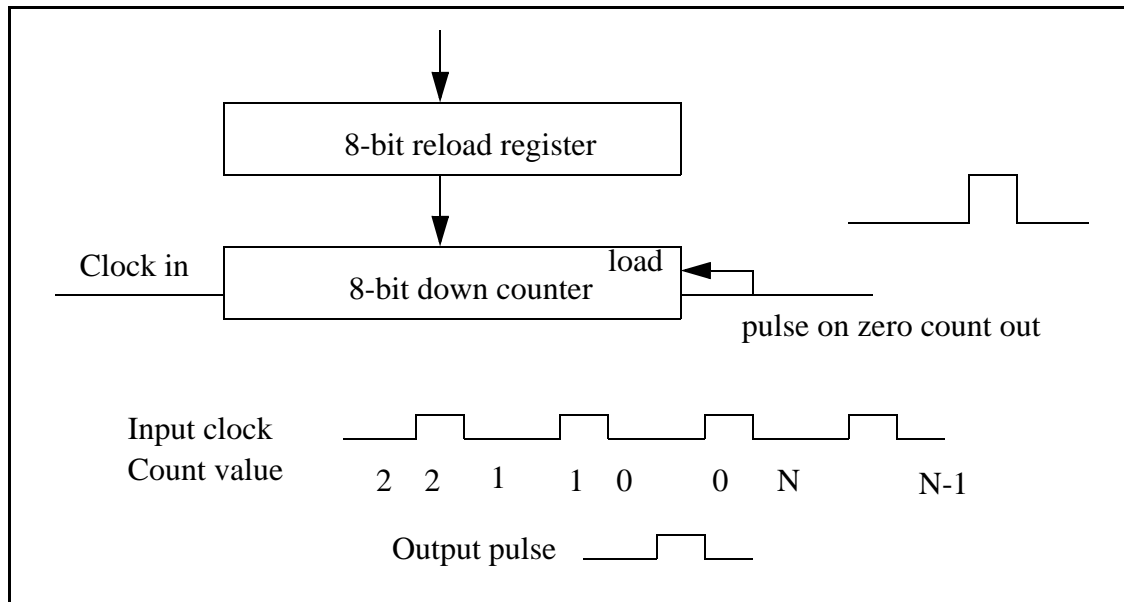


Figure 11-2. Reload Register Operation

The timer systems can be driven by the peripheral clock, or peripheral clock divided by two. This clock is always the same as the processor clock, or it is faster than the processor clock by a factor of eight. The output pulses are always one clock long. Clocking of the counters takes place on the negative edge of this pulse. When the counter reaches zero, the reload register is loaded on the next input pulse instead of a count being performed. The reload registers may be reloaded at any time since the peripheral clock is synchronous with the processor clock.

Timers A2, A3, A4, A5, A6 and A7 always provide the baud clock for Serial Ports E, F, A, B, C, and D respectively. Except for very low baud rates, clock A1 does not need to be used to prescale the input clock for timers A2–A7. For example, if the system clock is 11.0592 MHz, and the timer A4 divides by 144, an asynchronous baud rate of 2400 bps can be achieved in one step (assuming that the timer is clocked by peripheral clock divided by two). The clock input to the serial port can be 8 or 16 times the baud rate for asynchronous mode and 8 times the baud rate for synchronous mode. The maximum asynchronous baud rate with a 11.0592 MHz clock would be $(11,059,200/(1*8)) = 1,382,400$.

For seven of the counters (A1–A7), the terminal count condition is reported in a status register and can be programmed to generate an interrupt. There is one interrupt vector for Timer A and a common interrupt priority. A common status register (TACSR) has a bit for each timer that indicates if the output pulse for that timer has taken place since the last read of the status register. When the status register is read, these bits are cleared. No bit will be lost. Either it will be read by the status register read or it will be set after the status register read is complete. If a bit is on and the corresponding interrupt is enabled, an interrupt will occur when priorities allow. However, a separate interrupt is not guaranteed for each bit with an enabled interrupt. If the bit is read in the status register, it is cleared and no further interrupt corresponding to that bit will be requested. It is possible that one bit will cause an interrupt, and then one or more additional bits will be set before the status register is read. After these bits are cleared, they cannot cause an interrupt. If any bits are on, and the corresponding interrupt is enabled, then the interrupt will take place as soon as priorities allow. However, if the bit is cleared before the interrupt is latched, the bit will not cause an interrupt. The proper rule to follow is for the interrupt routine to handle all bits that it sees set.

Although timers A8–A10 are part of Timer A, they are dedicated to the input pulse capture, PWM, and quadrature decoder peripherals respectively. The peripherals clocked by these timers can generate interrupts but the timers themselves cannot. Furthermore, these timers cannot be cascaded with Timer A1.

11.1.1 Timer A I/O Registers

The I/O registers for Timer A are listed in Table 11-1.

Table 11-1. Timer A I/O Registers

Register Name	Mnemonic	I/O address	R/W	Reset
Timer A Control/Status Register	TACSR	0xA0	R/W	00000000
Timer A Prescale Register	TAPR	0xA1	W	xxxxxxx1
Timer A Time Constant 1 Register	TAT1R	0xA3	W	xxxxxxx
Timer A Control Register	TACR	0xA4	W	00000000
Timer A Time Constant 2 Register	TAT2R	0xA5	W	xxxxxxx
Timer A Time Constant 8 Register	TAT8R	0xA6	W	xxxxxxx
Timer A Time Constant 3 Register	TAT3R	0xA7	W	xxxxxxx
Timer A Time Constant 9 Register	TAT9R	0xA8	W	xxxxxxx
Timer A Time Constant 4 Register	TAT4R	0xA9	W	xxxxxxx
Timer A Time Constant 10 Register	TAT10R	0xAA	W	xxxxxxx
Timer A Time Constant 5 Register	TAT5R	0xAB	W	xxxxxxx
Timer A Time Constant 6 Register	TAT6R	0xAD	W	xxxxxxx
Timer A Time Constant 7 Register	TAT7R	0xAF	W	xxxxxxx

The following table summarizes Timer A's capabilities.

Table 11-2. Timer A Capabilities

Timer	Cascade	Interrupt	Dedicated Connection
A1	none	yes	Parallel Ports D-G, Timer B
A2	from A1	yes	Serial Port E
A3	from A1	yes	Serial Port F
A4	from A1	yes	Serial Port A
A5	from A1	yes	Serial Port B
A6	from A1	yes	Serial Port C
A7	from A1	yes	Serial Port D
A8	none	no	Input Capture
A9	none	no	Pulse Width Modulator
A10	none	no	Quadrature Decoder

The control/status register for Timer A (TACSR) is laid out as shown in Table 11-3.

Table 11-3. Timer A Control and Status Register

Timer A Control and Status Register (TACSR) (Address = 0x00A0)		
Bit(s)	Value	Description
7 (read)	0	A7 counter has not reached its terminal count.
	1	A7 count done. This status bit is cleared by a read of this register.
7 (write)	0	A7 interrupt disabled.
	1	A7 interrupt enabled.
6 (read)	0	A6 counter has not reached its terminal count.
	1	A6 count done. This status bit is cleared by a read of this register.
6 (write)	0	A6 interrupt disabled.
	1	A6 interrupt enabled.
5 (read)	0	A5 counter has not reached its terminal count.
	1	A5 count done. This status bit is cleared by a read of this register.
5 (write)	0	A5 interrupt disabled.
	1	A5 interrupt enabled.
4 (read)	0	A4 counter has not reached its terminal count.
	1	A4 count done. This status bit is cleared by a read of this register.

Table 11-3. Timer A Control and Status Register (continued)

Timer A Control and Status Register (TACSR) (Address = 0x00A0)		
Bit(s)	Value	Description
4 (write)	0	A4 interrupt disabled.
	1	A4 interrupt enabled.
3 (read)	0	A3 counter has not reached its terminal count.
	1	A3 count done. This status bit is cleared by a read of this register.
3 (write)	0	A3 interrupt disabled.
	1	A3 interrupt enabled.
2 (read)	0	A2 counter has not reached its terminal count.
	1	A2 count done. This status bit is cleared by a read of this register.
2 (write)	0	A2 interrupt disabled.
	1	A2 interrupt enabled.
1 (read)	0	A1 counter has not reached its terminal count.
	1	A1 count done. This status bit is cleared by a read of this register.
1 (write)	0	A1 interrupt disabled.
	1	A1 interrupt enabled.
0 (write-only)	0	Disable Timer A main clock (perclk/2).
	1	Enable Timer A main clock (perclk/2).

The control register (TACR) is laid out as shown in Table 11-4.

Table 11-4. Timer A Control Register

Timer A Control Register (TACR) (Address = 0x00A4)		
Bit(s)	Value	Description
7	0	Timer A7 clocked by the main Timer A clock.
	1	Timer A7 clocked by the output of Timer A1.
6	0	Timer A6 clocked by the main Timer A clock.
	1	Timer A6 clocked by the output of Timer A1.
5	0	Timer A5 clocked by the main Timer A clock.
	1	Timer A5 clocked by the output of Timer A1.
4	0	Timer A4 clocked by the main Timer A clock.
	1	Timer A4 clocked by the output of Timer A1.
3	0	Timer A3 clocked by the main Timer A clock.
	1	Timer A3 clocked by the output of Timer A1.
2	0	Timer A2 clocked by the main Timer A clock.
	1	Timer A2 clocked by the output of Timer A1.
1:0	00	Timer A interrupts are disabled.
	01	Timer A interrupts use Interrupt Priority 1.
	10	Timer A interrupts use Interrupt Priority 2.
	11	Timer A interrupts use Interrupt Priority 3.

The Timer A Prescale Register (TAPR) specifies the main clock for Timer A. This will affect all of the timer A countdown timers. By default Timer A is clocked by peripheral clock divided by two.

The prescale register (TAPR) is laid out as shown in Table 11-5.

Table 11-5. Timer A Prescale Register

Timer A Prescale Register (TAPR) (Address = 0x00A1)		
Bit(s)	Value	Description
7:1		These bits are ignored.
0	0	The main clock for Timer A is the peripheral clock.
	1	The main clock for Timer A is the peripheral clock divided by two.

The time constant register for each timer (TATxR) is simply an 8-bit data register holding a number between 0 and 255. This time constant will take effect the next time that the Timer A counter counts down to zero. The timer counts modulo (divide-by) $n+1$, where n is the programmed time constant. The time constant registers are write only. The time constant registers are listed in Table 11-1.

11.1.2 Practical Use of Timer A

Timer A is disabled (bit 0 in control and status register) on power-up. Timer A is normally set up while the clock is disabled, but the timer setup can be changed while the timer is running when there is a need to do so. Timers that are not used should be driven from the output of A1 and the reload register should be set to 255. This will cause counting to be as slow as possible and consume minimum power.

As for general-purpose timers, Timer A has seven separate subtimer units, A1 and A2–A7, that are also referred to as timers.

Most likely, if a serial port is going to be used and a timer is needed to provide the baud clock, that timer will be set up to be driven directly from the clock, and the interrupt associated with that timer will be disabled. (Serial port interrupts are generated by the serial port logic.)

The value in the reload register can be changed while the timer is running to change the period of the next timer cycle. When the reload register is initialized, the contents of the count-down counter may be unknown, for example, during power-up initialization. If interrupts are enabled, then the first interrupt may take place at an unknown time. Similarly, if the timer output is being used to drive the clock for a parallel port or serial port, the first clock may come at a random time. If a periodic clock is desired, it is probably not important when the first clock takes place unless a phase relationship is desired relative to a different timers.

A phase relationship between two timers can be obtained in several ways. One way is to set both reload registers to zero and to wait long enough for both timers to reload (maximum 256 clocks). Then both timers' reload registers can be set to new values before or after both are clocked.

11.2 Timer B

Figure 11-1 shows a block diagram of Timer B. The Timer B counter can be driven directly by $\text{perclk}/2$, by that clock divided by 8, or by the output of Timer A1. Timer B has a continuously running 10-bit counter. The counter is compared against two match registers, the B1 match register and the B2 match register. When the counter transitions to a value equal to a match register, an internal pulse with a length of 1 peripheral clock is generated. The match pulse can be used to cause interrupts and/or clock the output registers of Parallel Ports D and E.

The match registers are loaded from the match preload registers that are written to by an I/O instruction. The data byte in the match preload register is advanced to the next match register when the match pulse is generated.

Every time a match condition occurs, the processor sets an internal bit that marks the match value in TBLxR as invalid. Reading TBCSR clears the interrupt condition. TBLxR must be reloaded to re-enable the interrupt. TBMxR does *not* need to be reloaded every time.

If both match registers need to be changed, the most significant byte needs to be changed first.

The I/O registers for Timer B are listed in Table 11-6.

Table 11-6. Timer B Registers

Register Name	Mnemonic	I/O address	R/W	Reset
Timer B Control/Status Register	TBCSR	0xB0	R/W	xxxxx000
Timer B Control Register	TBCR	0xB1	W	xxxx0000
Timer B MSB 1 Register	TBM1R	0xB2	W	xxxxxxxx
Timer B LSB 1 Register	TBL1R	0xB3	W	xxxxxxxx
Timer B MSB 2 Register	TBM2R	0xB4	W	xxxxxxxx
Timer B LSB 2 Register	TBL2R	0xB5	W	xxxxxxxx
Timer B Count MSB Register	TBCMR	0xBE	R	xxxxxxxx
Timer B Count LSB Register	TBCLR	0xBF	R	xxxxxxxx

The control/status register for Timer B (TBCSR) is laid out as shown in Table 11-7.

Table 11-7. Timer B Control and Status Register

Timer B Control and Status Register (TBCSR) (Address = 0x00B0)		
Bit(s)	Value	Description
7:3		These bits are always read as zero.
2 (read)	0	Timer B2 comparator has not encountered a match condition.
	1	Timer B2 comparator has encountered a match condition. This status bit and the Timer B2 interrupt (but not interrupt enable) are cleared by a read of this register.
2 (write)	0	Timer B2 interrupt disabled.
	1	Timer B2 interrupt enabled.
1 (read)	0	Timer B1 comparator has not encountered a match condition.
	1	Timer B1 comparator has encountered a match condition. This status bit and the Timer B1 interrupt (but not interrupt enable) are cleared by a read of this register.
1 (write)	0	Timer B1 interrupt disabled.
	1	Timer B1 interrupt enabled.
0	0	Disable the main clock for Timer B.
	1	Enable the main clock for Timer B.

The control register for Timer B (TBCR) is laid out as shown in Table 11-8.

Table 11-8. Timer B Control Register

Timer B Control Register (TBCR) (Address = 0x00B1)		
Bit(s)	Value	Description
7:4		These bits are reserved and should be written with zeroes.
3:2	00	Timer B clocked by the main Timer B clock (perclk/2).
	01	Timer B clocked by the output of Timer A1.
	1x	Timer B clocked by the main Timer B clock (perclk/2) divided by 8.
1:0	00	Timer B interrupts are disabled.
	01	Timer B interrupts use Interrupt Priority 1.
	10	Timer B interrupts use Interrupt Priority 2.
	11	Timer B interrupts use Interrupt Priority 3.

The MSB *x* registers for Timer B (TBM1R/TBM2R) are laid out as shown in Table 11-9.

Table 11-9. Timer B Count MSB *x* Registers

Timer B Count MSB <i>x</i> Register		(TBM1R) (TBM2R)	(Address = 0xB2) (Address = 0xB4)
Bit(s)	Value	Description	
7:6	Write	The two MSBs of the compare value for the Timer B comparator are stored. This compare value will be loaded into the actual comparator when the current compare detects a match.	
5:0		These bits are always read as zeroes.	

The LSB *x* registers for Timer B (TBL1R/TBL2R) are laid out as shown in Table 11-10.

Table 11-10. Timer B Count LSB *x* Registers

Timer B Count LSB <i>x</i> Register		(TBL1R) (TBL2R)	(Address = 0xB3) (Address = 0xB5)
Bit(s)	Value	Description	
7:0	Write	The eight LSBs of the compare value for the Timer B comparator are stored. This compare value will be loaded into the actual comparator when the current compare detects a match.	

Table 11-11. Timer B Count MSB Register

Timer B Count MSB Register		(TBCMR)	(Address = 0xBE)
Bit(s)	Value	Description	
7:6	Read	The current value of the two MSBs of the Timer B counter are reported.	
5:0		These bits are always read as zeroes.	

Table 11-12. Timer B Count LSB Register

Timer B Count LSB Register		(TBCLR)	(Address = 0xBF)
Bit(s)	Value	Description	
7:0	Read	The current value of the eight LSBs of the Timer B counter are reported.	

11.2.1 Using Timer B

Normally the prescaler is set to divide $\text{perclk}/2$ by a number that provides a counting rate appropriate to the problem. For example, if the clock is 22.1184 MHz, then $\text{perclk}/2$ is 11.0592 MHz. A Timer B clock rate of 11.0592 MHz will cause a complete cycle of the 10-bit clock in 92.6 μs .

Normally an interrupt will occur when either of the comparators in Timer B generates a pulse. The interrupt routine must detect which comparator is responsible for the interrupt and dispatch the interrupt to a service routine. The service routine sets up the next match value, which will become the match value after the next interrupt. If the clocked parallel ports are being used, then a value will normally be loaded into some bits of the parallel port register. These bits will become the output bits on the next match pulse. (It is necessary to keep a shadow register for the parallel port unless the bit-addressable feature of Ports D and E is used.)

If you wish to read the time from the Timer B counter, either during an interrupt caused by the match pulse or in some other interrupt routine asynchronous to the match pulse, you will have to use a special procedure to read the counter because the upper 2 bits are in a different register than the lower 8 bits. The following method is suggested.

1. Read the lower 8 bits (read TBCLR register).
2. Read the upper 2 bits (read TBCMR register)
3. Read the lower 8 bits again (read TBCLR register)
4. If bit 7 changed from 1 to 0 between the first and second read of the lower 8 bits, there has been a carry to the upper 2 bits. In this case, read the upper 2 bits again and decrement those 2 bits to get the correct upper 2 bits. Use the first read of the lower 8 bits.

This procedure assumes that the time between reads can be guaranteed to be less than 256 counts. This can be guaranteed in most systems by disabling the priority 1 interrupts, which will normally be disabled in any case in an interrupt routine.

It is inadvisable to disable the high-priority interrupts (levels 2 and 3) as that defeats their purpose.

If speed is critical, the three reads of the registers can be performed without testing for the carry. The three register values can be saved and the carry test can be performed by a lower priority analysis routine. Since the upper 2 bits are in the TBCMR register at address 0x0BE, and the lower 8 bits are in TBCLR at address 0x0BF, both registers can be read with a single 16-bit I/O instruction. The following sequence illustrates how the registers could be captured.

```
; enter from external interrupt on pulse input transition
; 19 clocks latency plus 10 clocks interrupt execution
push af ; 7
push hl
ioi ld a, (TBCLR) ; 11 get lower 8 bits of counter
ioi ld hl, (TBCMR) ;13 get l=upper, h=lower
```


Timer B can be used for various purposes. The 10-bit counter can be read to record the time at which an event takes place. If the event creates an interrupt, the timer can be read in the interrupt routine. The known time of execution of the interrupt routine can be subtracted. The variable interrupt latency is then the uncertainty in the event time. This can be as little 19 clocks if the interrupt is the highest priority interrupt. If the system clock is 20 MHz, the counter can count as fast as 10 MHz. The uncertainty in a pulse width measurement can be nearly as low as 38 clocks (2×19), or about 2 μs for a 20 MHz system clock.

Timer B can be used to change a parallel port output register at a particular specified time in the future. A pulse train with edges at arbitrary times can be generated with the restriction that two adjacent edges cannot be too close to each other since an interrupt must be serviced after each edge to set up the time for the next edge. This restriction limits the minimum pulse width to about 5 μs , depending on the clock speed and interrupt priorities.

12. RABBIT SERIAL PORTS

The Rabbit 3000 has 6 on-chip serial ports designated A, B, C, D, E, and F. All the ports can perform asynchronous serial communications at high baud rates. Ports A-D can operate as clocked ports. Ports A and B can be switched to alternate pins. Ports E and F support SDLC/HDLC synchronous communications in addition to standard asynchronous communications. Port A has the special capability of being used to remote boot the microprocessor via asynchronous, synchronous, or IrDA (asynchronous serial).

Table 12-1 lists the synchronous serial port signals.

Table 12-1. Serial Port Signals

Serial Port	Signal Name	Function
Serial Port A	TXA	Serial Transmit Out
	RXA	Serial Transmit In
	CLKA	Clock for clocked mode (bidirectional)
	ATXA	Alternate serial transmit out
	ARXA	Alternate serial receive in
Serial Port B	TXB	Serial Transmit Out
	RXB	Serial Transmit In
	CLKB	Clock for clocked mode (bidirectional)
	ATXB	Alternate serial transmit out
	ARXB	Alternate serial receive in
Serial Port C	TXC	Serial Transmit Out
	RXC	Serial Transmit In
	CLKC	Clock for clocked mode (bidirectional)
Serial Port D	TXD	Serial Transmit Out
	RXD	Serial Transmit In
	CLKD	Clock for clocked mode (bidirectional)
Serial Port E	TXE	Serial Transmit Out
	RXE	Serial Transmit In
	TCLKE	Optional external transmit clock
	RCLKE	Optional external receive clock

Table 12-1. Serial Port Signals (continued)

Serial Port	Signal Name	Function
Serial Port F	TXF	Serial Transmit Out
	RXF	Serial Transmit In
	TCLKF	Optional external transmit clock
	RCLKF	Optional external receive clock

Figure 12-1 shows a block diagram of the serial ports.

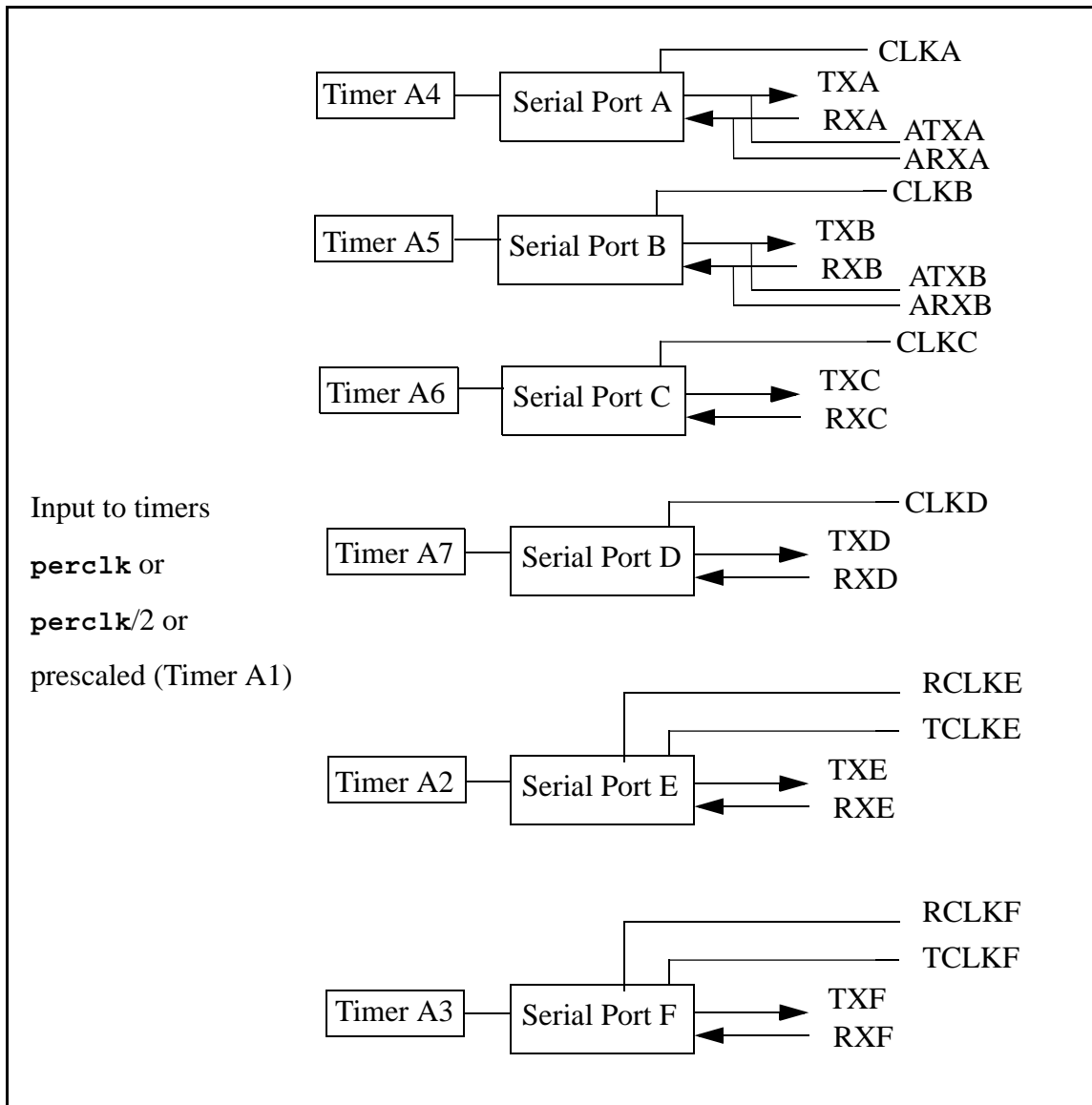


Figure 12-1. Block Diagram of Rabbit Serial Ports

The individual serial ports are capable of operating at baud rates in excess of 500,000 bps in the asynchronous mode, and 8 times faster than that in the synchronous mode. Either 7 or 8 data bits may be transmitted and received in the asynchronous mode. The so-called "9th" bit or address bit mode of operation is also supported. The "9th" bit can be set high or low by accessing the appropriate serial port register. Although Parity and multiple stop bits are not directly supported by the hardware, the "9th" bit can be used to issue an extra stop bit (9th-bit high) or toggled to indicate parity.

12.1 Serial Port Register Layout

Figure 12-2 shows a functional block diagram of a serial port. Each serial port has a data register, a control register and a status register. Writing to the data register starts transmission. The least significant bit (LSB) is always transmitted first. This is true for both asynchronous and synchronous communication. If the write is performed to an alternate data register address, the extra address bit or 9th bit (8th bit if 7 data bits) is sent. When data bits have been received, they are read from the data register (LSB first). The control register is used to set the transmit and receive parameters. The status register may be tested to check on the operation of the serial port.

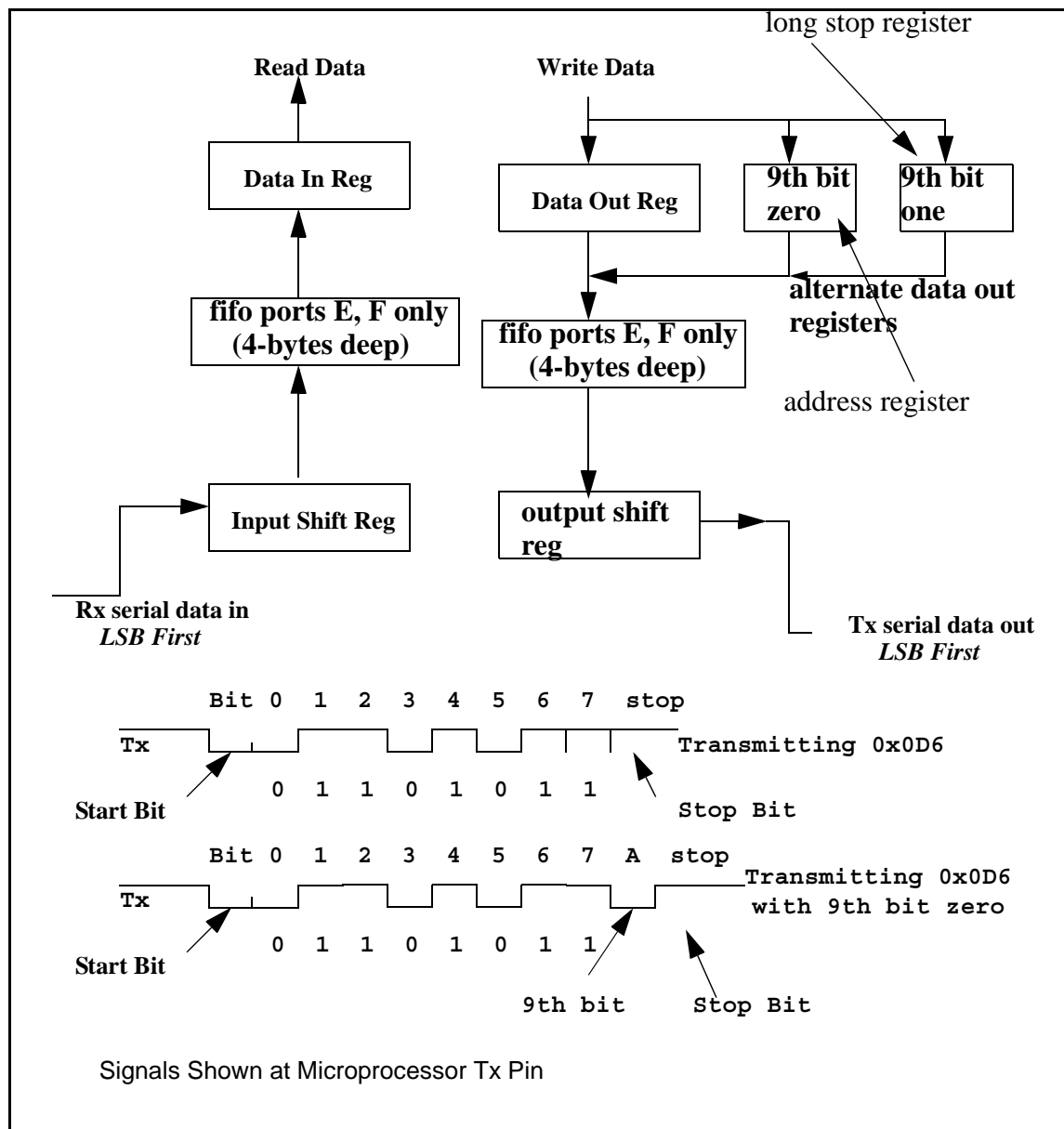


Figure 12-2. Functional Block Diagram of a Serial Port

The clock input to the serial port unit must be 8 or 16 (selectable) times the baud rate in the asynchronous mode and 2 times the baud rate for the clocked serial mode when the internal clock is used. Timers A2–A7 supply the input clock for Serial Ports A–F. These timers can divide the frequency by any number from 1 to 256 (see Chapter 11). The input frequency to the timers can be selected in different ways described in the documentation for the timers. One choice is the peripheral clock—with that choice and a well-chosen crystal frequency for the main oscillator, the most commonly used baud rates can be obtained down to approximately 2400 bps or lower by prescaling timer A0 at the highest Rabbit clock frequencies (see Section A.3 in Appendix A).

12.2 Serial Port Registers

Each serial port has 6 registers shown in the tables below. The status, control and extended registers may have somewhat different formats for different serial ports.

Table 12-2. Serial Port A Registers

Register Name	Mnemonic	I/O Address	R/W	Reset
Serial Port A Data Register	SADR	0xC0	R/W	xxxxxxxx
Serial Port A Address Register	SAAR	0xC1	W	xxxxxxxx
Serial Port A Long Stop Register	SALR	0xC2	W	xxxxxxxx
Serial Port A Status Register	SASR	0xC3	R	0xx00000
Serial Port A Control Register	SACR	0xC4	W	xx000000
Serial Port A Extended Register	SAER	0xC5	W	00000000

Table 12-3. Serial Port B Registers

Register Name	Mnemonic	I/O Address	R/W	Reset
Serial Port B Data Register	SBDR	0xD0	R/W	xxxxxxxx
Serial Port B Address Register	SBAR	0xD1	W	xxxxxxxx
Serial Port B Long Stop Register	SBLR	0xD2	W	xxxxxxxx
Serial Port B Status Register	SBSR	0xD3	R	0xx00000
Serial Port B Control Register	SBCR	0xD4	W	xx000000
Serial Port B Extended Register	SBER	0xD5	W	00000000

Table 12-4. Serial Port C Registers

Register Name	Mnemonic	I/O Address	R/W	Reset
Serial Port C Data Register	SCDR	0xE0	R/W	xxxxxxxx
Serial Port C Address Register	SCAR	0xE1	W	xxxxxxxx
Serial Port C Long Stop Register	SCLR	0xE2	W	xxxxxxxx
Serial Port C Status Register	SCSR	0xE3	R	0xx00000
Serial Port C Control Register	SCCR	0xE4	W	xx000000
Serial Port C Extended Register	SCER	0xE5	W	00000000

Table 12-5. Serial Port D Registers

Register Name	Mnemonic	I/O Address	R/W	Reset
Serial Port D Data Register	SDDR	0xF0	R/W	xxxxxxxx
Serial Port D Address Register	SDAR	0xF1	W	xxxxxxxx
Serial Port D Long Stop Register	SDLR	0xF2	W	xxxxxxxx
Serial Port D Status Register	SDSR	0xF3	R	0xx00000
Serial Port D Control Register	SDCR	0xF4	W	xx000000
Serial Port D Extended Register	SDER	0xF5	W	00000000

Table 12-6. Serial Port E Registers

Register Name	Mnemonic	I/O Address	R/W	Reset
Serial Port E Data Register	SEDR	0xC8	R/W	xxxxxxxx
Serial Port E Address Register	SEAR	0xC9	W	xxxxxxxx
Serial Port E Long Stop Register	SELR	0xCA	W	xxxxxxxx
Serial Port E Status Register	SESR	0xCB	R	0xx00000
Serial Port E Control Register	SECR	0xCC	W	xx000000
Serial Port E Extended Register	SEER	0xCD	W	000x000x

Table 12-7. Serial Port F Registers

Register Name	Mnemonic	I/O Address	R/W	Reset
Serial Port F Data Register	SFDR	0xD8	R/W	xxxxxxxx
Serial Port F Address Register	SFAR	0xD9	W	xxxxxxxx
Serial Port F Long Stop Register	SFLR	0xDA	W	xxxxxxxx
Serial Port F Status Register	SFSR	0xDB	R	0xx00000
Serial Port F Control Register	SFCR	0xDC	W	xx000000
Serial Port F Extended Register	SFER	0xDD	W	000x000x

Table 12-8. Data Register All Ports

Serial Port x Data Register		
		(SADR) (Address = 0xC0)
		(SBDR) (Address = 0xD0)
		(SCDR) (Address = 0xE0)
		(SDDR) (Address = 0xF0)
		(SEDR) (Address = 0xC8)
		(SFDR) (Address = 0xD8)
Bit(s)	Value	Description
7:0	Read	Returns the contents of the receive buffer.
	Write	Loads the transmit buffer with a data byte for transmission.

Table 12-9. Address Register All Ports

Serial Port x Address Register		
		(SAAR) (Address = 0xC1)
		(SBAR) (Address = 0xD1)
		(SCAR) (Address = 0xE1)
		(SDAR) (Address = 0xF1)
		(SEAR) (Address = 0xC9)
		(SFAR) (Address = 0xD9)
Bit(s)	Value	Description
7:0	Read	Returns the contents of the receive buffer. In Clocked Serial mode reading the data from this register automatically causes the receiver to start a byte receive operation (the current contents of the receive buffer are read first), eliminating the need for software to issue the Start Receive command.
	Write	Loads the transmit buffer with an address byte, marked with a “zero” address bit, for transmission. In HDLC mode, the last byte of a frame must be written to this register to enable subsequent CRC and closing Flag transmission. In Clocked Serial mode writing the data to this register causes the transmitter to start a byte transmit operation, eliminating the need for the software to issue the Start Transmit command.

Table 12-10. Long Stop Register All Ports

Serial Port x Long Stop Register		
		(SALR) (Address = 0xC2)
		(SBLR) (Address = 0xD2)
		(SCLR) (Address = 0xE2)
		(SDLR) (Address = 0xF2)
		(SELR) (Address = 0xCA)
		(SFLR) (Address = 0xDA)
Bit(s)	Value	Description
7:0	Read	Returns the contents of the receive buffer.
	Write	Loads the transmit buffer with an address byte, marked with a “one” address bit, for transmission. In HDLC mode the last byte of a frame is written to this register to enable subsequent closing Flag transmission.

Table 12-11. Status Register Asynchronous Mode Only (All Ports)

Serial Port x Status Register		
		(SASR) (Address = 0xC3)
		(SBSR) (Address = 0xD3)
		(SCSR) (Address = 0xE3)
		(SDSR) (Address = 0xF3)
		(SESR) (Address = 0xCB)
		(SFSR) (Address = 0xDB)
Bit(s)	Value	Description (Async mode only)
7	0	The receive data register is empty—no input character is ready.
	1	There is a byte in the receive buffer. The transition from "0" to "1" sets the receiver interrupt request flip-flop. The interrupt FF is cleared when the character is read from the data buffer. The interrupt FF will be immediately set again if there are more characters available in the FIFO or shift register to be transferred into the data buffer.
6	0	The byte in the receive buffer is data, received with a valid Stop bit.
	1	Address bit or 9th (8th) bit received. This bit is set if the character in the receiver data register has a 9th (8th) bit. This bit is cleared and should be checked before reading a data register since a new data value with a new address bit may be loaded immediately when the data register is read. The byte in the receive buffer is an address, or a byte with a framing error. If an address bit is not expected. If the data in the buffer is all zeros, this may be a Break.
5	0	The receive buffer was not overrun.
	1	This bit is set if the receiver is overrun. This happens if the shift register and the data register are full and a start bit is detected. This bit is cleared when the receiver data register is read.
4	0	This bit is always zero in async mode.
3	0	The transmit buffer is empty.
	1	Transmitter data buffer full. This bit is set when the transmit data register is full, that is, a byte is written to the serial port data register. It is cleared when a byte is transferred to the transmitter shift register or FIFO, or a write operation is performed to the serial port status register. This bit will request an interrupt on the transition from 1 to 0 if interrupts are enabled. Transmit interrupts are cleared when the transmit buffer is written, or any value (which will be ignored) is written to this register.
2	0	The transmitter is idle.
	1	Transmitter busy bit. This bit is set if the transmitter shift register is busy sending data. It is set on the falling edge of the start bit, which is also the clock edge that transfers data from the transmitter data register to the transmitter shift register. The transmitter busy bit is cleared at the end of the stop bit of the character sent. This bit will cause an interrupt to be latched when it goes from busy to not busy status after the last character has been sent (there are no more data in the transmitter data register).
1:0	00	These bits are always zero in async mode.

Table 12-12. Status Register Clocked Serial (Ports A-D only)

Serial Port x Status Register		
		(SASR) (Address = 0xC3)
		(SBSR) (Address = 0xD3)
		(SCSR) (Address = 0xE3)
		(SDSR) (Address = 0xF3)
Bit(s)	Value	Description (Clocked serial mode only)
7	0	The receive data register is empty
	1	There is a byte in the receive buffer. The serial port will request an interrupt while this bit is set. The interrupt is cleared when the receive buffer is empty.
6	0	This bit is always zero in clocked serial mode.
5	0	The receive buffer was not overrun.
	1	The receive buffer was overrun. This bit is cleared by reading the receive buffer.
4	0	This bit is always zero in clocked serial mode.
3	0	The transmit buffer is empty.
	1	The transmit buffer is not empty. The serial port will request an interrupt when the transmitter takes a byte from the transmit buffer. Transmit interrupts are cleared when the transmit buffer is written, or any value (which will be ignored) is written to this register.
2	0	The transmitter is idle.
	1	The transmitter is sending a byte. An interrupt is generated when the transmitter clears this bit, which occurs only if the transmitter is ready to start sending another byte but the transmit buffer is empty.
1:0	00	These bits are always zero in clocked serial mode.

Table 12-13. Status Register HDLC Mode (Ports E and F only)

Serial Port x Status Register		(SESR) (SF SR)	(Address = 0xCB) (Address = 0xD3)
Bit(s)	Value	Description (HDLC mode only)	
7	0	The receive data register is empty	
	1	There is a byte in the receive buffer. The serial port will request an interrupt while this bit is set. The interrupt is cleared when the receive buffer is empty.	
6,4	00	The byte in the receive buffer is data.	
	01	The byte in the receive buffer was followed by an Abort.	
	10	The byte in the receive buffer is the last in the frame, with valid CRC.	
	11	The byte in the receive buffer is the last in the frame, with a CRC error.	
5	0	The receive buffer was not overrun.	
	1	The receive buffer was overrun. This bit is cleared by reading the receive buffer.	
3	0	The transmit buffer is empty.	
	1	The transmit buffer is not empty. The serial port will request an interrupt when the transmitter takes a byte from the transmit buffer, unless the byte is marked as the last in the frame. Transmit interrupts are cleared when the transmit buffer is written, or any value (which will be ignored) is written to this register.	
2:1	00	Transmit interrupt due to buffer empty condition.	
	01	Transmitter finished sending CRC. An interrupt is generated at the end of CRC transmission. Data written in response to this interrupt will cause only one Flag to be transmitted between frames, and no interrupt will be generated by this Flag.	
	10	Transmitter finished sending an Abort. An interrupt is generated at the end of an Abort transmission.	
	11	The transmitter finished sending a closing Flag. Data written in response to this interrupt will cause at least two Flags to be transmitted between frames.	
0	0	The byte in the receiver buffer is 8 bits.	
	1	The byte in the receiver buffer is less than 8 bits.	

Table 12-14. Serial Port Control Register Ports A and B

Serial Port x Control Register		(SACR) (SBCR)	(Address = 0xC4) (Address = 0xD4)
Bit(s)	Value	Description	
7:6	00	No operation. These bits are ignored in the Async mode.	
	01	In clocked serial mode, start a byte receive operation.	
	10	In clocked serial mode, start a byte transmit operation.	
	11	In clocked serial mode, start a byte transmit operation and a byte receive operation simultaneously.	
5:4	00	Parallel Port C is used for input.	
	01	Parallel Port D is used for input.	
	1x	Disable the receiver input.	
3:2	00	Async mode with 8 bits per character.	
	01	Async mode with 7 bits per character. In this mode the most significant bit of a byte is ignored for transmit, and is always zero in receive data.	
	10	Clocked serial mode with external clock. Serial Port A clock is on Parallel Port PB1 Serial Port B clock is on Parallel Port PB0	
	11	Clocked serial mode with internal clock. Serial Port A clock is on Parallel Port PB1 Serial Port B clock is on Parallel Port PB0	
1:0	00	The Serial Port interrupt is disabled.	
	01	The Serial Port uses Interrupt Priority 1.	
	10	The Serial Port uses Interrupt Priority 2.	

Table 12-15. Serial Port Control Register Ports C and D

Serial Port x Control Register		
		(SCCR) (SDCR)
		(Address = 0xE4) (Address = 0xF4)
Bit(s)	Value	Description
7:6	00	No operation. These bits are ignored in the async mode.
	01	In clocked serial mode, start a byte receive operation.
	10	In clocked serial mode, start a byte transmit operation.
	11	In clocked serial mode, start a byte transmit operation and a byte receive operation simultaneously.
5	0	Enable the receiver input.
	1	Disable the receiver input.
4	x	This bit is ignored.
3:2	00	8 bits per character.
	01	7 bits per character. In this mode the most significant bit of a byte is ignored for transmit, and is always zero in receive data.
	10	Clocked serial mode with external clock. Serial Port C clock is on Parallel Port PF1 Serial Port D clock is on Parallel Port PF0
	11	Clocked serial mode with internal clock. Serial Port C clock is on Parallel Port PF1 Serial Port D clock is on Parallel Port PF0
1:0	00	The serial port interrupt is disabled.
	01	The serial port uses Interrupt Priority 1.
	10	The serial port uses Interrupt Priority 2.
	11	The serial port uses Interrupt Priority 3.

Table 12-16. Serial Port Control Register Ports E and F

Serial Port x Control Register		(SECR) (SFCR)	(Address = 0xCC) (Address = 0xDC)
Bit(s)	Value	Description	
7:6	00	No operation. These bits are ignored in the Async mode.	
	01	In HDLC mode, force receiver in Flag Search mode.	
	10	No operation.	
	11	In HDLC mode, transmit an Abort pattern.	
5	0	Enable the receiver input.	
	1	Disable the receiver input.	
4	x	This bit is ignored.	
3:2	00	Async mode with 8 bits per character.	
	01	Async mode with 7 bits per character. In this mode the most significant bit of a byte is ignored for transmit, and is always zero in receive data.	
	10	HDLC mode with external clock. The external clocks are supplied as follows: <ul style="list-style-type: none"> • Transmit clock (Serial Port F)—pins PG0 and PG1 on Parallel Port G. • Receive clock (Serial Port E)—pins PG4 and PG5 on Parallel Port G. 	
	11	HDLC mode with internal clock. The clock is 16× the data rate, and the DPLL is used to recover the receive clock. If necessary, the clocks are supplied as follows: <ul style="list-style-type: none"> • Transmit clock (Serial Port F)—pins PG0 and PG1 on Parallel Port G. • Receive clock (Serial Port E)—pins PG4 and PG5 on Parallel Port G. 	
1:0	00	The serial port interrupt is disabled.	
	01	The serial port uses Interrupt Priority 1.	
	10	The serial port uses Interrupt Priority 2.	
	11	The serial port uses Interrupt Priority 3.	

Table 12-17. Extended Register Asynchronous Mode All Ports

Serial Port x Extended Register		
		(SAER) (Address = 0xC5)
		(SBER) (Address = 0xD5)
		(SCER) (Address = 0xE5)
		(SDER) (Address = 0xF5)
		(SEER) (Address = 0xCD)
		(SFER) (Address = 0xDD)
Bit(s)	Value	Description (Async mode only)
7:5	xxx	These bits are ignored in async mode.
4	0	Normal async data encoding.
	1	Enable RZI coding (3/16ths bit cell IrDA-compliant).
3	0	Normal Break operation. This option should be selected when address bits are expected.
	1	Fast Break termination. At the end of Break a dummy character is written to the buffer, and the receiver can start character assembly after one bit time.
2	0	Async clock is 16X data rate.
	1	Async clock is 8X data rate.
1:0	xx	These bits are ignored in async mode.

Table 12-18. Extended Register Clocked Serial Mode (Ports A-D only)

Serial Port x Extended Register		
	(SAER)	(Address = 0xC5)
	(SBER)	(Address = 0xD5)
	(SCER)	(Address = 0xE5)
	(SDER)	(Address = 0xF5)
Bit(s)	Value	Description (Clocked serial mode only)
7	0	Normal clocked serial operation.
	1	Timer synchronized clocked serial operation.
6	0	Timer-synchronized clocked serial uses Timer B1.
	1	Timer-synchronized clocked serial uses Timer B2.
5:4	00	Normal clocked serial clock polarity, inactive High. Internal or external clock.
	01	Normal clocked serial clock polarity, inactive Low. Internal clock only.
	10	Inverted clocked serial clock polarity, inactive Low. Internal or external clock.
	11	Inverted clocked serial clock polarity, inactive High. Internal clock only.
3:2	xx	These bits are ignored in clocked serial mode.
1	0	No effect on transmitter.
	1	Terminate current clocked serial transmission. No effect on buffer.
0	0	No effect on receiver.
	1	Terminate current clocked serial reception.

Table 12-19. Extended Register HDLC Mode (Ports E and F only)

Serial Port x Extended Register		
	(SEER)	(Address = 0xCD)
	(SFER)	(Address = 0xDD)
Bit(s)	Value	Description (HDLC mode only)
7:5	000	NRZ data encoding for HDLC receiver and transmitter.
	010	NRZI data encoding for HDLC receiver and transmitter.
	100	Biphase-Level (Manchester) data encoding for HDLC receiver and transmitter.
	110	Biphase-Space data encoding for HDLC receiver and transmitter.
	111	Biphase-Mark data encoding for HDLC receiver and transmitter.
4	0	Normal HDLC data encoding.
	1	Enable RZI coding (1/4th bit cell IRDA-compliant). This mode can only be used with internal clock and NRZ data encoding.
3	0	Idle line condition is Flags.
	1	Idle line condition is all ones.
2	0	Transmit Flag on underrun.
	1	Transmit Abort on underrun.
1:0	xx	These bits are ignored in HDLC mode.

12.3 Serial Port Interrupt

A common interrupt vector is used for the receive and transmit interrupts. There is a separate interrupt request flip-flop for the receiver and transmitter. If either of these flip-flops is set, a serial port interrupt is requested. The flip-flops are set by a rising edge only. The flip-flops are cleared by a pulse generated by an I/O read or write operation as shown in Figure 12-3. When an interrupt is requested, it will take place immediately when priorities allow and an instruction execution is complete. The interrupt is lost if the request flip-flop is cleared before the interrupt takes place. If the flip-flop is not cleared in the interrupt, another interrupt will take place when priorities are lowered.

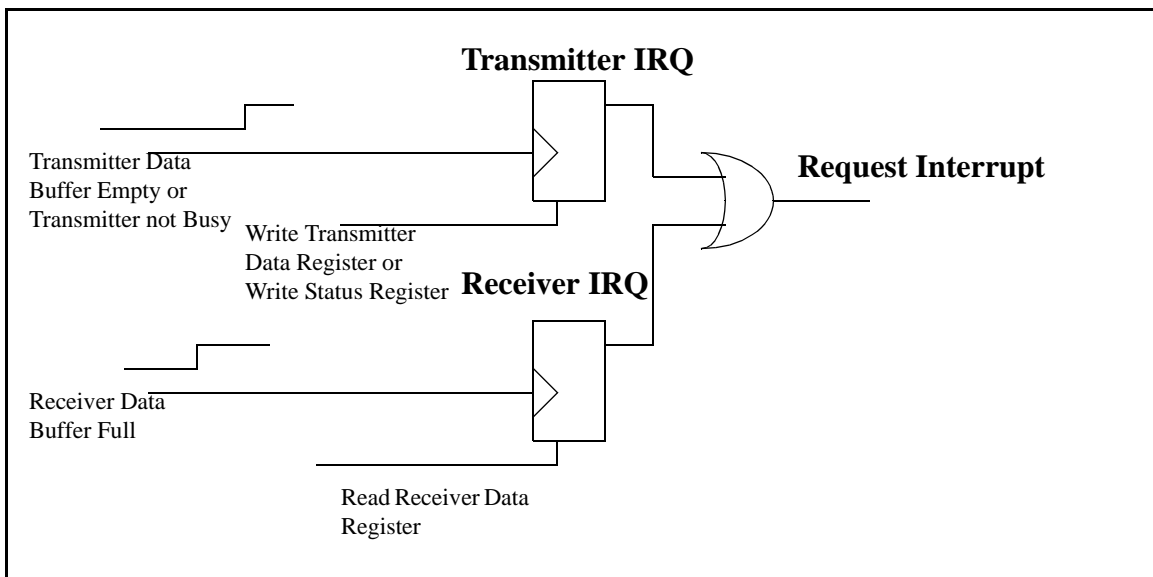


Figure 12-3. Generation of Serial Port Interrupts

The receive interrupt request flip-flop is set after the stop bit is sampled on receive, nominally 1/2 of the way through the stop bit. Data bits are transferred on this same clock from the receive shift register to the receive data register.

The transmit interrupt request flip-flop is set on the leading edge of the start bit for data register empty and at the trailing edge of the stop bit for shift register empty (transmitter idle). Unless the data register is empty on this trailing edge of the stop bit, the transmitter does not become idle. The transmitter becomes idle only if the data register is empty at the trailing edge of the stop bit.

The serial port interrupt vectors are shown in Table 6-1.

12.4 Transmit Serial Data Timing

On transmit, if the interrupts are enabled, an interrupt is requested when the transmit register becomes empty and, in addition, an interrupt occurs when the shift register and transmit register both become empty, that is, when the transmitter becomes idle. The shift register is empty when the last bit is shifted out. When the transmit data register contains data and the shift register finishes sending data, the data bits are clocked from the transmit register to the shift register, and the shift register is never idle. The interrupt request is cleared either by writing to the data register or by writing to the status register (which does not affect the status register). The data register normally is clocked into the shift register each time the shift register finishes sending data, leaving the data register empty. This causes an interrupt request. The interrupt routine normally answers the interrupt before the shift register runs dry (9 to 11 baud clocks, depending on the mode of operation). The interrupt routine stores the next data item in the data register, clearing the interrupt request and supplying the next data bits to be sent. When all the characters have been sent, the interrupt service routine answers the interrupt once the data register becomes empty. Since it has no more data, it clears the interrupt request by storing to the status register. At this point the routine should check if the shift register is empty; normally it won't be. If it is, because the interrupt was answered late, the interrupt routine should do any final cleanup and store to the status register again in case the shift register became empty after the pending interrupt is cleared. Normally, though, the interrupt service routine will return and there will be a final interrupt to give the routine a chance to disable the output buffers, as in the case for RS-485 transmission.

12.5 Receive Serial Data Timing

When the receiver is ready to receive data, a falling edge indicates that a start bit must be detected. The falling edge is detected as a different Rx input between two different clocks, the clock being 8x or 16x the baud rate. Once the start bit has been detected, data bits are sampled at the middle of each data bit and are shifted into the receive shift register. After 7 or 8 data bits have been received, the next bit will be either a 9th (8th) address bit, or a stop bit will be sampled. If the Rx line is low, it is an address bit and the address bit received bit in the status register will be enabled. If an address bit is detected, the receiver will attempt to sample the stop bit. If the line is high when sampled, it is a stop bit and a new scan for a new start bit will begin after the sample point. At the same time, the data bits are transferred into the receive data register and an interrupt, if enabled, is requested.

On receive, an interrupt is requested when the receiver data register has data. This happens when data bits are transferred from the receive shift register to the data register. This also sets bit 7 of the status register. The interrupt request and bit 7 are cleared when the data register is read.

An interrupt is requested if bit 7 is high. The interrupt is requested on the edge of the transmitter data register becoming empty or the transmitter shift register becoming empty. The transmitter interrupt is cleared by writing to the status register or to the data register.

On receive, the scan for the next start bit starts immediately after the stop bit is detected. The stop bit is normally detected at a sample clock that nominally occurs in the center of the stop bit. If there is a 9th (8th) address bit, the stop bit follows that bit.

The serial clock can be configured to be either 16x the data rate or 8x the data rate.

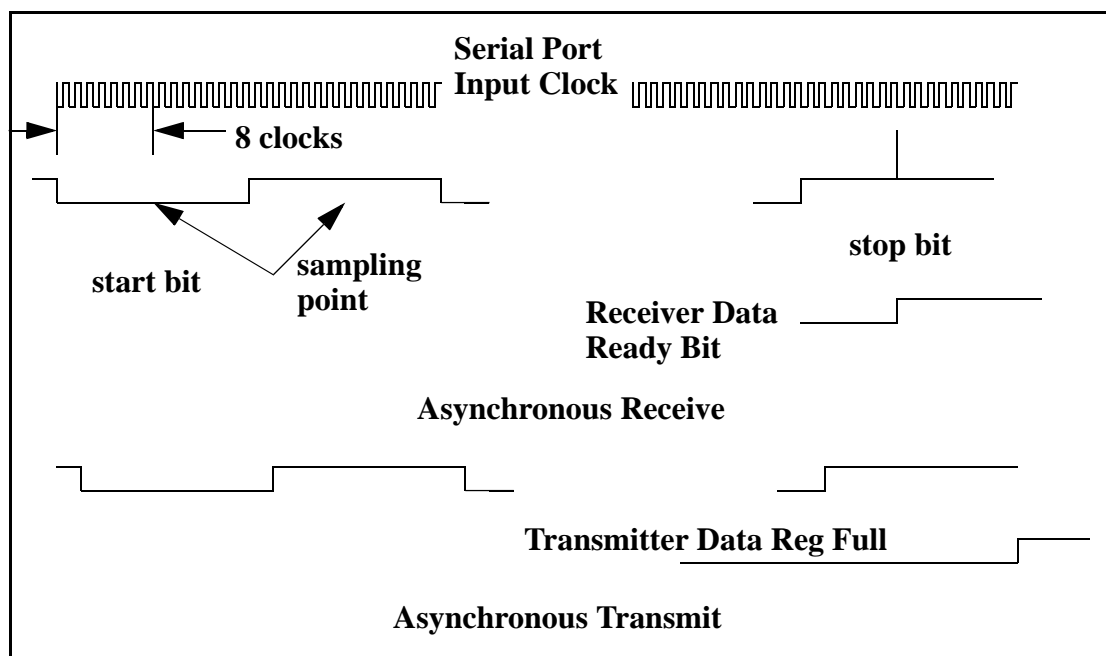


Figure 12-4. Serial Port Synchronization

12.6 Clocked Serial Ports

Ports A–D can operate in clocked mode. The data line and clock line are driven as shown in Figure 12-4. The data and clock are provided as 8-bit bursts with the LSB shifted out and/or received first. By default the transmit shift register advances on the falling edge of the clock and the receiver samples the data on the rising edge of the clock. The serial port can generate the clock or the clock can be provided externally.

The clock polarity is programmable in clocked serial mode according to Figure . The clocked serial transfer may also be synchronized to the output of either of the match conditions in Timer B to give precisely timed transfers.

To enable the clocked serial mode, a code must be in bits (3,2) of the control register, enabling the clocked serial mode with either an internal clock or an external clock. The transition between the external and the internal clock should be performed with care. Normally a pullup resistor is needed on the clock line to prevent spurious clocks while neither party is driving the clock.

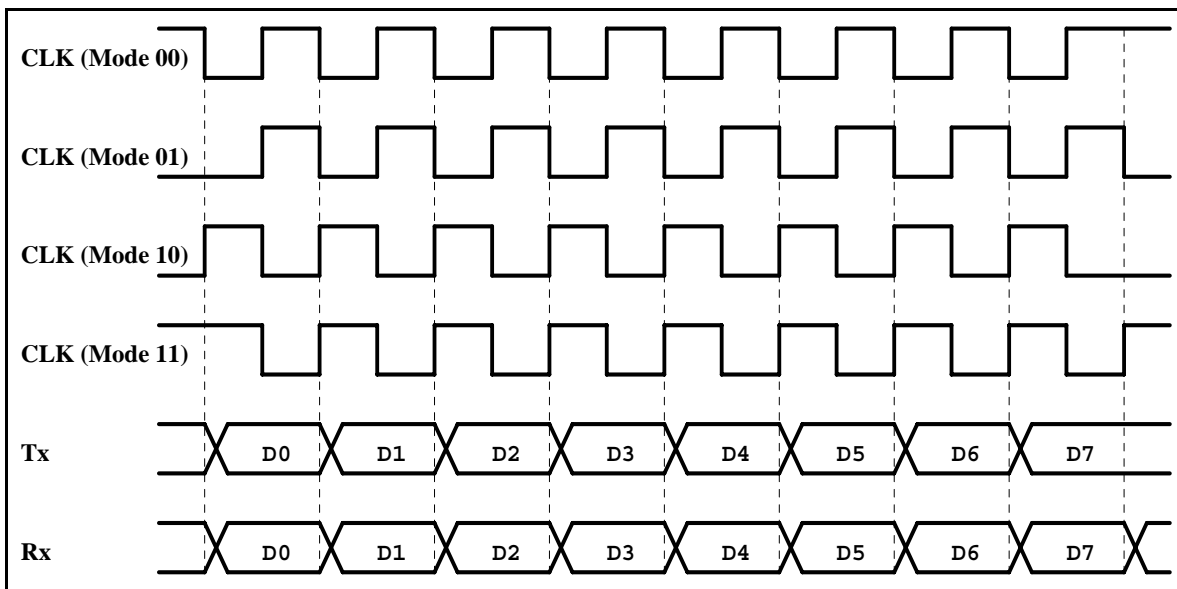


Figure 12-5. Clock Polarities Supported in Clocked Serial Mode

In clocked serial mode the shift register and the data register work in the same fashion as for asynchronous communications. However, to initiate basic sending or receiving, a command must be issued by writing to bits (7,6) of the control register for each byte sent or received. One command is for sending a byte, a different command is for receiving a byte, and yet another command can initiate a transmit and receive at the same time for full duplex communication. Alternatively, a read or write to the Serial Ports A-D Address registers (SxAR) eliminates the need to issue separate receive and transmit commands. In clocked serial mode, reading the data from the corresponding SxAR register automatically causes the receiver to start a byte receive operation, eliminating the need for software to issue the Start Receive command. Any data contained in the receive buffer will be read first before being replaced

with new incoming data. Similarly, writing the data to the SxAR register causes the transmitter to start a byte transmit operation, eliminating the need for the software to issue the Start Transmit command. The effect of these codes is different, depending on whether the mode is internal clock or external clock.

To transmit in internal clock mode, the user must first load the data register (which must be empty) and then store the send code. When the shift register finishes sending the current character, if any, the data register will be loaded into the shift register and transmitted by an 8-clock burst. One character can be in the process of transmitting while another character is waiting in the data register tagged with the send code. The send code is effectively double-buffered.

To receive a character in internal clock mode, the receive shift register should be idle. The user then stores the receive code in the control register. A burst of 8 clocks will be generated and the sender must detect the clocks and shift output data to the data line on the falling edge of each clock. The receiver will sample the data on the rising edge of each clock for clock modes 00 and 01 or the falling edge for clock modes 10 and 11. The receive mode cannot double-buffer characters when using the internal clock. The shift register must be idle before another character receive can be initiated. However, the interrupt request and character ready takes place on the rising edge of the last clock pulse. If the next receive code is stored before the natural location of the next falling edge, another receive will be initiated without pausing the clock. To do this, the interrupt has to be serviced within 1/2 clock.

To transmit each byte in external clock mode, the user must load the data register and then store the send code. When the shift register is idle and the receiver provides a clock burst, the data bits are transferred to the shift register and are shifted out. Once the transfer is made to the shift register, a new byte can be loaded into the transmit register and a new send code can be stored.

To receive a byte in external clock mode, the user must set the receive code for the first byte and then store the receive code for the next byte after each byte is removed from the data register. Since the receive code must be stored before the transmitter sends the next byte, the receiver must service the interrupt within 1/2 baud clock to maintain full-speed transmission. This is usually not practical unless a flow control arrangement is made or the transmitter inserts gaps between the clock bursts.

In order to carry on high-speed communication, the best arrangement will usually be for the receiver to provide the clock. When the receiver provides the clock, the transmitter should always be able to keep up because it is double-buffered and has a full character time to answer the transmitter data register empty interrupt. The receiver will answer interrupts that are generated on the last clock rising edge. If the interrupt can be serviced within 1/2 clock, there will be no pause in the data rate. If it takes the receiver longer to answer, then there will be a gap between bytes, the length of which depends on the interrupt latency. For example, if the baud rate is 400,000 bps, then up to 50,000 bytes per second could be transmitted, or a byte every 20 μ s. No data will be lost if the transmitter can

answer its interrupts within 20 μs . There will be no slow down if the receiver can answer its interrupt within 1/2 clock or 1.25 μs . If it can answer within 1.5 clocks, or 2.75 μs , the data rate will slow to 44,444 bytes per second. If it can answer in 2.5 clocks or 6.25 μs , the data rate slows to 40,000 bytes per second. If it can answer in 3.5 clocks or 8.75 μs , the data rate will slow to 36,363 bytes per second, and so forth.

If two-way half-duplex communication is desired, the clock can be turned around so that the receiver always provides the clock. This is slightly more complicated since the receiver cannot initiate a message. If the receiver attempts to receive a character and the transmitter is not transmitting, the last bit sent will be received for all eight bits.

12.7 Clocked Serial Timing

12.7.1 Clocked Serial Timing With Internal Clock

For synchronous serial communication, the serial clock can be either generated by the Rabbit or by an external device. The timing diagram in Figure 12-6 below can be applied to both full-duplex and half-duplex clocked serial communication where the serial clock is generated internally by the Rabbit. Other SPI compatible clock modes supported by the Rabbit 3000 are shown in Figure 12-5. With an internal clock, the maximum serial clock rate is $\text{perclk}/2$.

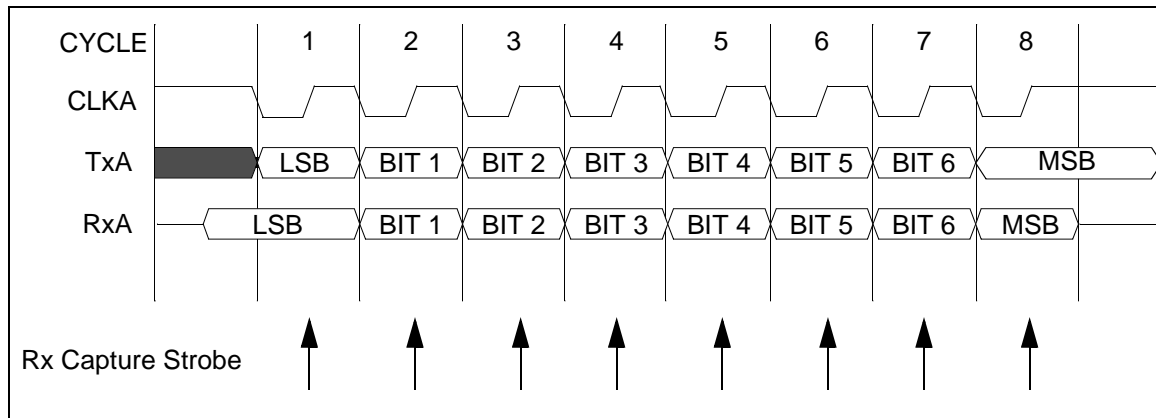


Figure 12-6. Full-Duplex Clocked Serial Timing Diagram with Internal Clock (Mode 00)

12.7.2 Clocked Serial Timing with External Clock

In a system where the Rabbit serial clock is generated by an external device, the clock signal has to be synchronized with the internal peripheral clock (perclk) before data can be transmitted or received by the Rabbit. Depending on when the external serial clock is generated, in relation to perclk , it may take anywhere from 2 to 3 clock cycles for the external clock to be synchronized with the internal clock before any data can be transferred. Figure 12-7 shows the timing relationship among perclk , the external serial clock, and data transmit.

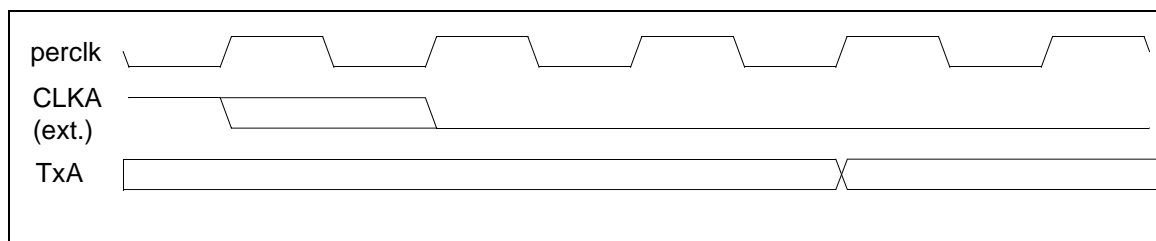


Figure 12-7. Synchronous Serial Data Transmit Timing with External Clock (Mode 00)

Figure 12-8 shows the timing relationship among **perclk**, the external serial clock, and data receive. Note that RxA is sampled by the rising edge of **perclk**.

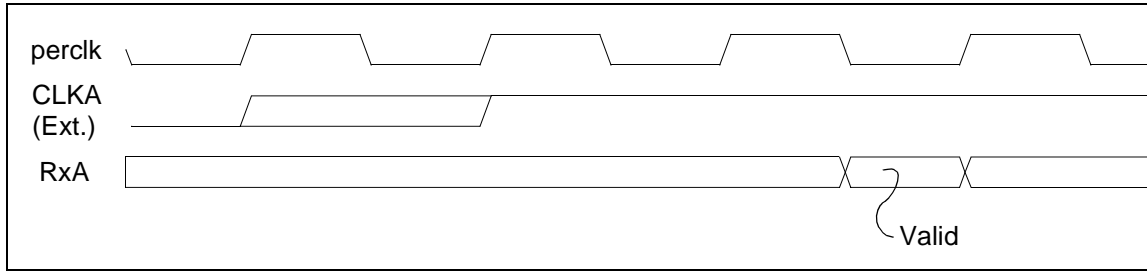


Figure 12-8. Synchronous Serial Data Receive Timing with External Clock (Mode 00)

When clocking the Rabbit externally, the maximum serial clock frequency is limited by the amount of time required to synchronize the external clock with the Rabbit **perclk**. If we sum the maximum number of **perclk** cycles required to perform clock synchronization for each of the receive and transmit cases, then the fastest external serial clock frequency would be limited to $\text{perclk}/6$.

12.8 Synchronous Communications on Ports E and F

Serial Port E and F are a dual-function serial ports that can be used in either asynchronous or HDLC mode. Four bytes of buffering are available for both receiver and transmitter to reduce interrupt overhead. An interrupt is generated whenever at least one byte is available in the receiver buffer and every time a byte is removed from the transmitter buffer.

Serial Port E is clocked by the output of Timer A2 and Serial Port F by A3. In asynchronous mode this clock can be either sixteen (the default) or eight times the data rate. In HDLC mode this clock is sixteen times the data rate. Note that the fastest output from Timer A2 or A3 is the same frequency as the peripheral clock. Thus the maximum data rate is the peripheral clock frequency divided by eight in async mode and divided by sixteen in HDLC mode.

The HDLC receiver employs a Digital Phase-Locked-Loop (DPLL) to generate a synchronized receive clock for the incoming data stream. HDLC mode also allows for an external 1x (same speed as the data rate) clock for both the receiver and the transmitter. HDLC receive and transmit clocks can be input or output, as appropriate, via the specified pins. When using an external clock, the maximum data rate is one-sixth of the peripheral clock rate.

In asynchronous mode the port can send and receive seven or eight bits and has the option of appending and recognizing an additional address bit. On transmit, the address bit is automatically appended to the data when this data is written to the address register or long stop register. Writing to the address register appends an “zero” address bit to the data, while writing to the long stop register appends an “one” address bit to the data. The address bit is followed by a normal stop bit. Normal data is written to the data register to be transmitted. On receive, a status bit distinguishes normal data from “address” data. This status bit is set to one if a “zero” address bit is received. In non-address bit applications, this indicates a framing error. This status bit can also indicate a received break, if the accompanying data is all zeros (this is the definition of break). Asynchronous mode operates full-duplex. Either the receive data available, transmit buffer empty or transmit idle conditions can be programmed to generate an interrupt.

The HDLC mode allows full-duplex synchronous communication. Either an internal or external clock may be selected for both the receiver and the transmitter. HDLC mode encapsulates data within opening and closing Flags, and sixteen bits of CRC precedes the closing Flag. All information between the opening and closing Flag is "zero-stuffed". That is, if five consecutive ones occur, independent of byte boundaries, a zero is automatically inserted by the transmitter and automatically deleted by the receiver. This allows a Flag byte (0x07E) to be unique within the serial bit stream. The standard CRC-CCITT polynomial ($x^{16} + x^{12} + x^5 + 1$) is implemented, with the generator and checker preset to all ones.

Both receive and transmit operation are essentially automatic. In the receiver, each byte is marked with status to indicate end-of-frame, short frame and CRC error. The receiver automatically synchronizes on Flag bytes and presets the CRC checker appropriately. If

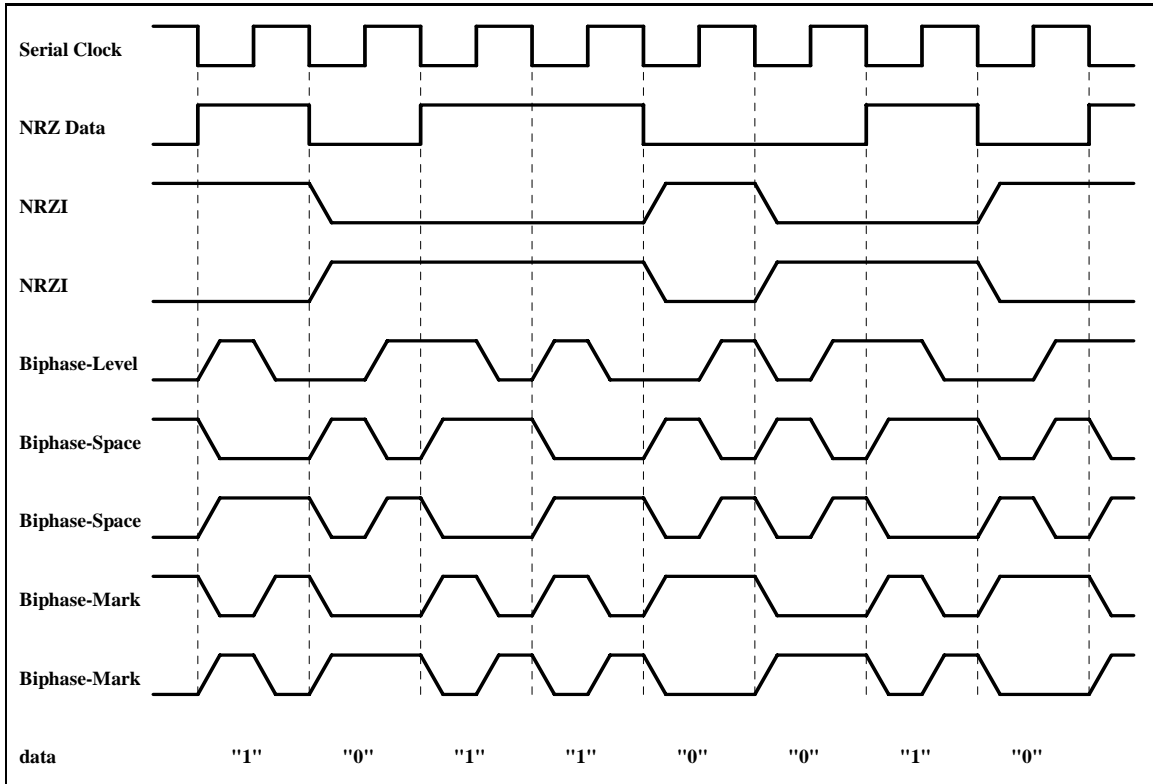
the current receive frame is not needed (because it is addressed to a different station, for example) a Flag Search command is available. This command forces the receiver to ignore the incoming data stream until another Flag is received. In the transmitter, the CRC generator is preset and the opening Flag is transmitted automatically after the first byte is written to the transmitter buffer, and CRC and the closing flag are transmitted after the byte that is written to the buffer through the Address Register. If no CRC is required, writing the last byte of the frame to the Long Stop Register automatically appends a closing flag after the last byte. If the transmitter underflows, either an Abort or a Flag will be transmitted, under program control. A command is available to send the Abort pattern (seven consecutive ones) if a transmit frame needs to be aborted prematurely. The Abort command takes effect on the next byte boundary, and causes the transmission of an 0xFE (a zero followed by seven ones), after which the transmitter will send the idle line condition. The Abort command also purges the transmit FIFO. The idle line condition may be either Flags or all ones.

Both the receiver and transmitter contain four bytes of buffering for the data. Status bits are buffered along with the data in both receiver and transmitter. The receiver automatically generates an interrupt at the end of a received frame, and the transmitter generates an interrupt at the end of CRC transmission, at the end of the transmission of an Abort sequence, and at the end of the transmission of a closing Flag.

The transmitter is not capable of sending an arbitrary number of bits, but only a multiple of bytes. However, the receiver can receive frames of any bit length. If the last "byte" in the frame is not eight bits, the receiver sets a status flag that is buffered along with this last byte. Software can then use the table below to determine the number of valid data bits in this last "byte." Note that the receiver transfers all bits between the opening and closing Flags, except for the inserted zeros, to the receiver data buffer.

Last Byte Bit Pattern	Valid Data Hits
bbbbbb0	7
bbbbbb01	6
bbbb011	5
bbb0111	4
bb01111	3
bb011111	2
b0111111	1

Several types of data encoding are available in the HDLC mode. In addition to the normal NRZ, they are NRZI, Biphase-Level (Manchester), Biphase-Space (FM0) and Biphase-Mark (FM1). Examples of these encodings are shown in the Figure below. Note that in NRZI, Biphase-Space and Biphase-Mark the signal level does not convey information. Rather it is the placement of the transitions that determine the data. In Biphase-Level it is the polarity of the transition that determines the data.



In HDLC mode the internal clock comes from the output of Timer A2. This timer output is divided by sixteen to form the transmit clock, and is fed to the Digital Phase-Locked Loop (DPLL) to form the receive clock. The DPLL is basically just a divide-by-16 counter that uses the timing of the transitions on the receive data stream to adjust its count. The DPLL adjust the count so that the output of the DPLL will be properly placed in the bit cells to sample the receive data. To work properly, then, transitions are required in the receive data stream. NRZ data encoding does not guarantee transitions in all cases (a long string of zeros for example), but the other data encodings do. NRZI guarantees transitions because of the inserted zeros, and the Biphase encodings all have at least one transition per bit cell.

The DPLL counter normally counts by sixteen, but if a transition occurs earlier or later than expected the count will be modified during the next count cycle. If the transition occurs earlier than expected, it means that the bit cell boundaries are early with respect to the DPLL-tracked bit cell boundaries, so the count is shortened, either by one or two counts. If the transition occurs later than expected, it means that the bit cell boundaries are late with respect to the DPLL-tracked bit cell boundaries, so the count is lengthened, either by one or two counts. The decision to adjust by one or by two depends on how far off the DPLL-tracked bit cell boundaries are. This tracking allows for minor differences in the transmit and receive clock frequencies.

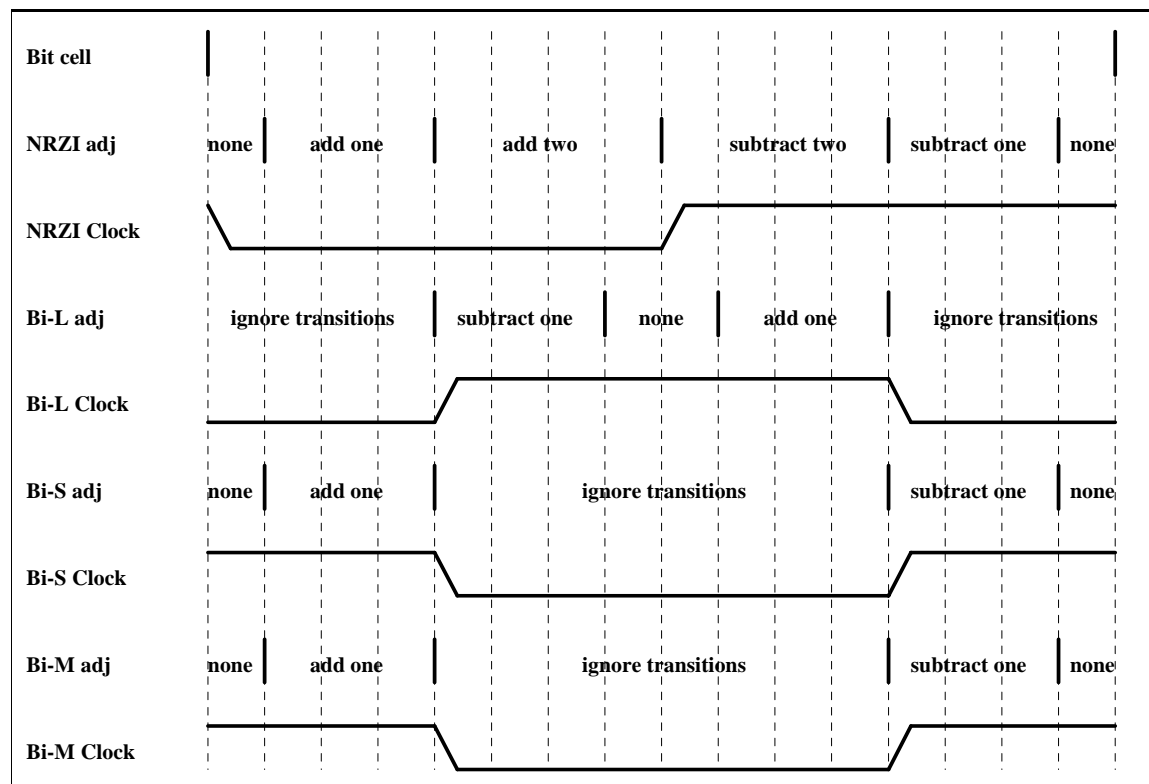
With NRZ and NRZI data encoding, the DPLL counter runs continuously, and adjusts after every receive data transition. Since NRZ encoding does not guarantee a minimum density of transitions, the difference between the sending data rate and the DPLL output

clock rate must be very small, and depends on the longest possible run of zeros in the received frame. NRZI encoding guarantees at least one transition every six bits (with the inserted zeros). Since the DPLL can adjust by two counts every bit cell, the maximum difference between the sending data rate and the DPLL output clock rate is 1/48 (~2%).

With Biphasic data encoding (either -Level, -Mark or -Space), the DPLL runs only as long as transitions are present in the receive data stream. Two consecutive missed transitions causes the DPLL to halt operation and wait for the next available transition. This mode of operation is necessary because it is possible for the DPLL to lock onto the optional transitions in the receive data stream. Since they are optional, they will eventually not be present and the DPLL can attempt to lock onto the required transitions. Since the DPLL can adjust by one count every bit cell, the maximum difference between the sending data rate and the DPLL output clock rate is 1/16 (~6%).

With Biphasic data encoding the DPLL is designed to work in multiple-access conditions where there may not be Flags on an idle line. The DPLL will properly generate an output clock based on the first transition in the leading zero of an opening Flag. Similarly, only the completion of the closing Flag is necessary for the DPLL to provide the extra two clocks to the receiver to properly assemble the data. In Biphasic-Level mode, this means the transition that defines the last zero of the closing Flag. In Biphasic-Mark and Biphasic-Space modes this means the transition that defines the end of the last zero of the closing Flag.

The figure below shows the adjustment ranges and output clock for the different modes of operation of the DPLL. Each mode of operation will be described in turn.



With NRZ and NRZI encoding all transitions occur on bit-cell boundaries and the data should be sampled in the middle of the bit cell. If a transition occurs after the expected bit-cell boundary (but before the midpoint) the DPLL needs to lengthen the count to line up the bit-cell boundaries. This corresponds to the “add one” and “add two” regions shown. If a transition occurs before the bit cell boundary (but after the midpoint) the DPLL needs to shorten the count to line up the bit-cell boundaries. This corresponds to the “subtract one” and “subtract two” regions shown. The DPLL makes no adjustment if the bit-cell boundaries are lined up within one count of the divide-by-sixteen counter. The regions that adjust the count by two allow the DPLL to synchronize faster to the data stream when starting up.

With Biphase-Level encoding there is a guaranteed “clock” transition at the center of every bit cell and optional “data” transitions at the bit cell boundaries. The DPLL only uses the clock transitions to track the bit cell boundaries, by ignoring all transitions occurring outside a window around the center of the bit cell. This window is half a bit-cell wide. Additionally, because the clock transitions are guaranteed, the DPLL requires that they always be present. If no transition is found in the window around the center of the bit cell for two successive bit cells the DPLL is not in lock and immediately enters the search mode. Search mode assumes that the next transition seen is a clock transition and immediately synchronizes to this transition. No clock output is provided to the receiver during the search operation. Decoding Biphase-Level data requires that the data be sampled at either the quarter or three-quarter point in the bit cell. The DPLL here uses the quarter point to sample the data.

Biphase-Mark and Biphase space encoding are identical as far as the DPLL is concerned, and are similar to Biphase-Level. The primary difference is the placement of the clock and data transitions. With these encodings the clock transitions are at the bit-cell boundary and the data transitions are at the center of the bit cell, and the DPLL operation is adjusted accordingly. Decoding Biphase-Mark or Biphase-Space encoding requires that the data be sampled by both edges of the recovered receive clock.

An optional IRDA (Infrared Data Association) -compliant encode and decode function is available in both asynchronous mode and HDLC mode. The encoder sends an active-High pulse for a zero and no pulse for a one. In the asynchronous 16x mode this pulse is 3/16ths of a bit cell wide, while in the asynchronous 8x mode it is 1/8th of a bit cell wide. In HDLC mode the pulse is 1/4th of a bit cell wide. In all modes the decoder watches for active-Low pulses, which are stretched to one bit time wide to recreate the normal asynchronous waveform for the receiver. Enabling the IRDA-compliant encode/decode modifies the transmitter in HDLC mode so that there are always two opening Flags transmitted.

12.9 Serial Port Software Suggestions

The receiver and transmitter share the same interrupt vector, but it is possible to make the receive and transmit interrupt service routines (ISRs) separate by dispatching the interrupt to either of two different routines. This is desirable to make the ISR less complex and to reduce the interrupt off time. No interrupts will be lost since distinct interrupt flip-flops exist for receive and transmit. The dispatcher can test the receiver data register full bit to dispatch. If this bit is on, the interrupt is dispatched for receive, otherwise for transmit. The receiver receives first consideration because it must be serviced attentively or data could be lost.

The dispatcher might look as follows.

```
interrupt:
PUSH AF          ; 10
IOI LD A, (SCSR) ; 7 get status register serial port C
JP m, receive    ; 7 go service the receive interrupt
                 ; else service transmit interrupt
```

The individual interrupts would assume that register AF has been saved and the status register has been loaded into Register A.

The interrupt service routines can, as a matter of good practice and obtaining optimum performance, remove the cause of the interrupt and re-enable the interrupts as soon as possible. This keeps the interrupt latency down and allows the fastest transmission speed on all serial ports.

All the serial ports will normally generate priority level 1 interrupts. In exceptional circumstances, one or more serial ports can be configured to use a higher priority interrupt.

There is an exception to be aware of when a serial port has to operate at an extremely high speed. At 115,200 bps, the highest speed of a PC serial port, the interrupts must be serviced in 10 baud times, or 86 μ s, in order not to lose the received characters. If all six serial ports were operating at this receive speed, it would be necessary to service the interrupt in less than 21.5 μ s to assure no lost characters. In addition, the time taken by other interrupts of equal or higher priority would have to be considered. A receiver service routine might appear as follows below. The byte at `bufptr` is used to address the buffer where data bits are stored. It is necessary to save and increment this byte because characters could be handled out of order if two receiver interrupts take place in quick succession.

```
receive:
PUSH HL          ; 10 save HL
PUSH DE          ; 10 save DE
LD HL, struct    ; 6
LD A, (HL)       ; 5 get in-pointer
LD E, A          ; 2 save in pointer in E
INC HL           ; 2 point to out-pointer
CMP A, (HL)      ; 5 see if in-pointer=out-pointer (buffer full)
JR Z, rovrerun   ; 5 go fix up receiver over run
INC A            ; 2 increment the in pointer
AND A, mask      ; 4 mask such as 11110000 if 16 buffer locs
DEC HL           ; 2
```

```

LD (HL),A      ; 6 update the in pointer
IOI LD A,(SCDR) ; 11 get data register port C, clears interrupt request
IPRES          ; 4 restore the interrupt priority

; 68 clocks to here
; to level before interrupt took place
; more interrupts could now take place,
; but receiver data is in registers
; now handle the rest of the receiver interrupt routine
LD HL,bufbase  ; 6
LD D,0         ; 6
ADD HL,DE      ; 2 location to store data
LD (HL),A     ; 6 put away the data byte
POP DE        ; 7
POP HL        ; 7
POP AF        ; 7
RET           ; 8 from interrupt

; 117 clocks to here

```

This routine gets the interrupts turned on in about 68 clocks or 3.5 μ s at a clock speed of 20 MHz. Although two characters may be handled out of order, this will be invisible to a higher level routine checking the status of the input buffer because all the interrupts will be completed before the higher level routine can perform a check on the buffer status.

A typical way to organize the buffers is to have an in-pointer and an out-pointer that increment through the addresses in the data buffer in a circular manner. The interrupt routine manipulates the in-pointer and the higher level routine manipulates the out-pointer. If the in-pointer equals the out-pointer, the buffer is considered full. If the out-pointer plus 1 equals the in-pointer, the buffer is empty. All increments are done in a circular fashion, most easily accomplished by making the buffer a power of two in length, then anding a mask after the increment. The actual memory address is the pointer plus a buffer base address.

12.9.1 Controlling an RS-485 Driver and Receiver

RS-485 uses a half-duplex method of communication. One station enables its driver and sends a message. After the message is complete, the station disables the driver and listens to the line for a reply. The driver must be enabled before the start bit is sent and not disabled until the stop bit has been sent. The transmitter idle interrupt is normally used to disable the RS-485 driver and possibly enable the receiver.

12.9.2 Transmitting Dummy Characters

It may be desired to operate the serial transmitter without actually sending any data. "Dummy" characters are transmitted to pass time or to measure time.

The output of the transmitter may be disconnected from the transmitter output pin by manipulating the control registers for Parallel Port C or D, which are used as output pins. For example, if Serial Port B is to be temporarily disconnected from its output pin, which is bit 4 of Parallel Port C, this can be done as follows.

1. Store a "1" in bit 4 of the parallel port data output register to provide the quiescent state of the drive line.

2. Clear bit 4 of the Parallel Port C function register so that the output no longer comes from the serial port. Of course, this should not be done until the transmitter is idle.

A similar procedure can be used if the serial port is set up to use alternate output pins on port D. Only Serial Ports A and B can use alternate outputs on Parallel Port D.

If an RS-485 driver is being used, dummy characters can be transmitted by disabling the driver after the stop bit has been sent. This is an alternative to the above procedure.

12.9.3 Transmitting and Detecting a Break

A break is created when the output of the transmitter is driven low for an extended period. If a break is received, it will appear as a series of characters filled with zeros and with the 9th bit detected low. This could only be confused with a legitimate message if a protocol using the 9th bit was in effect. Break is not usually used as a message in such protocols.

A break can be transmitted by transmitting a byte of zeros at a very slow baud rate. Another and probably better method is to disconnect the transmitter from the output pin, and use the parallel port bit to set the line low while sending dummy characters to time out the break.

The use of break as a signaling device should be avoided because it is slow, erratically supported by different types of hardware, and usually creates more problems than it solves.

12.9.4 Using A Serial Port to Generate a Periodic Interrupt

A serial port may be used to generate a periodic interrupt by continuously transmitting characters. Since the Tx output via Parallel Port C or D can be disabled, the transmitted characters are transmitted to nowhere. Because the character output path is double-buffered, there will be no gaps in the character transmission, and the interrupts will be exactly periodic. The interrupts can happen every 9, 10 or 11 baud times, depending on whether 7 or 8 bits are transmitted and on whether the 9th (8th) bit is sent.

12.9.5 Extra Stop Bits, Sending Parity, 9th Bit Communication Schemes

Some systems may require two stop bits. In some cases, it may be necessary to send a parity bit. Certain systems, such as some 8051-based multidrop communications systems, use a 9th data bit to mark the start of a message frame. The Rabbit 3000 can receive parity or message formats that contain a 9th bit without problem. Transmitting messages with parity or messages that always contain a 9th bit is also possible. It is quite easy to do so for byte formats that use only 7 data bits, in which case the 9th bit or parity bit is actually an 8th bit. Sending a 9th low bit is supported by hardware. Sending a 9th bit as a high value requires a write to the Serial Port A-F Long Stop Register (SxLR) which is the same as two stop bits.

Figure 12-9 illustrates the standard asynchronous serial output patterns.

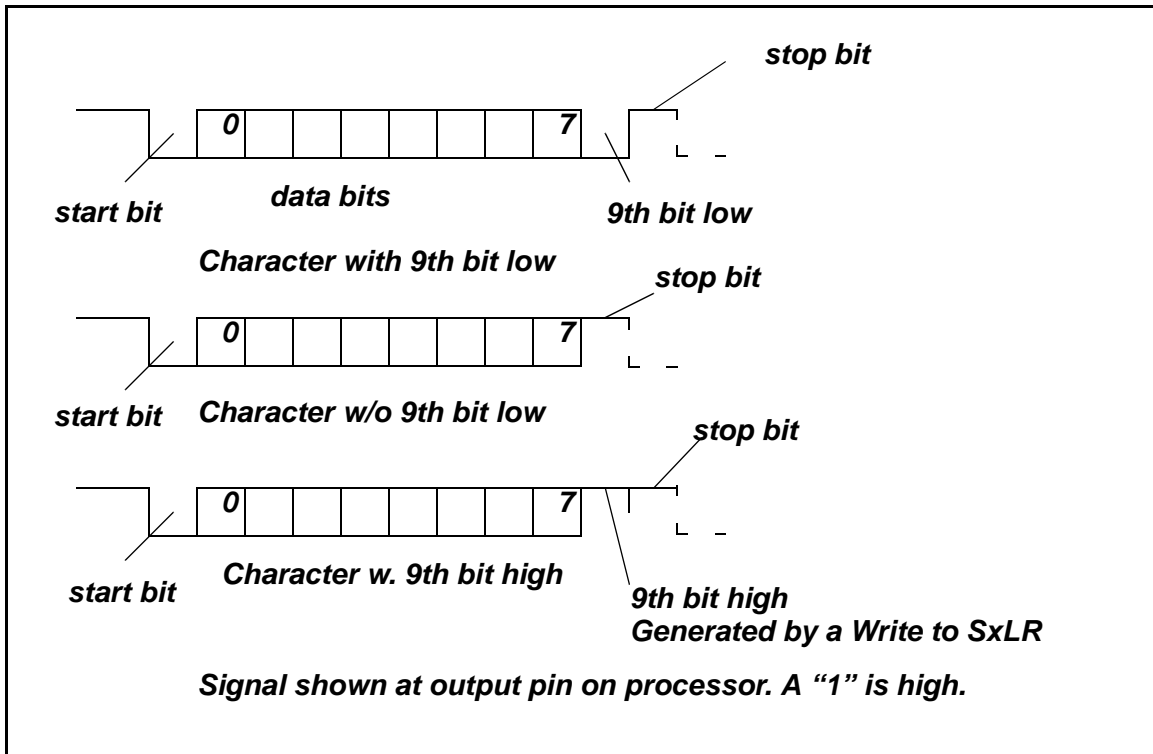


Figure 12-9. Asynchronous Serial Output Patterns

12.9.6 Parity, Extra Stop Bits with 7-Data-Bit Characters

If only 7 data bits are being sent, sending an additional parity or signal bit is easily solved by sending 8 bits and always setting bit 7 (the eighth bit) of the byte to "1" or "0" depending on what is desired. No special precautions are needed if two stop bits are to be received. If parity is received with 7 data bits, receive the data as 8 bits, and the parity will be in the high bit of the byte.

12.9.7 Parity, Extra Stop Bits with 8-Data-Bit Characters

In order to receive parity with 8 data bits, a check is made on each character for a 9th bit low. The 9th bit, or parity bit, is low if bit 6 of the serial port status register (SxSR) is set to a "1" after the character is received. If the 9th bit is not a zero, then the serial port treats it as an extra stop bit. So if the 9th bit low flag is not set, it should be assumed that the parity bit is a "1."

Setting the 9th bit high or low can easily be done in the Rabbit 3000. The 9th bit can be set low by a write to the Serial Port A-F Address Register (SxAR) and the 9th bit can be set high by a write to the Serial Port A-F Long Stop Register (SxLR).

12.9.8 Supporting 9th Bit Communication Protocols

This section describes how 9th bit communication protocols work. 9th bit communication protocols are supported by processors such as the 8051 and the Z180, and by companies such as Cimentrics Technology. The data bytes have an extra 9th bit appended where a parity bit would normally be placed. Requests from the network master to one of its slaves consist of a frame of bytes—the first byte has the 9th bit set to "1" (as the signal is observed at the Tx pin of the processor) and the following bytes have the 9th bit set to "0." The first byte is identified as the address byte, which specifies the slave unit where the message is directed. This enables a slave to find the start of a message, which is the byte with the 9th bit set, and to determine if the message is directed to it. If the message is directed to a particular slave, the slave will then read the characters in the rest of the message; otherwise the slave will continue to scan for a start of message character containing its address.

Normally the 9th bit is set to "1" only on the first byte of a request transmitted by the network master. The subsequent bytes and the slave replies have the 9th bit set to zero. Since the majority of the traffic has a 9th bit set low, it is only necessary to stretch the stop bit for the first bytes or address bytes. This can be done without sacrificing performance by sending a dummy character (transmitter disconnected) after the address byte.

Some microprocessor serial ports have a "wake up" mode of operation. In this mode, characters without the 9th bit set to "1" are ignored, and no interrupt is generated. When the start of a frame is detected, an interrupt takes place on that byte. If the byte contains the address of the slave, then the "wake up" mode is turned off so that the remaining characters in the frame can be read. This scheme reduces the overhead associated with messages directed to other slaves, but it does not really help with the worst-case load. In most cases, the worst-case compute load is the governing factor for embedded systems. In addition, it is quite easy for the interrupt driver to dismiss characters not directed to the system. For these reasons, the "wake up" mode was not implemented for the Rabbit.

The 9th bit protocols suffer from a major problem that the IBM-PC uarts can support the 9th bit only by using special drivers.

12.9.9 Rabbit-Only Master/Slave Protocol

If only Rabbit microprocessors are connected, the 9th bit low can be set on the address byte, and the remaining bytes can be transmitted in the normal 8-bit mode. This is more efficient than other 9th bit protocols because only the first byte requires 11 baud times; the remaining bytes are transmitted in 10 baud times.

12.9.10 Data Framing/Modbus

Some protocols, for example, Modbus, depend on a gap in the data frame to detect the beginning of the next frame. The 9th bit protocol is another way to detect the start of a data frame.

The Modbus protocol requires that data frames begin with a minimum 3.5-character quiet time. The receiver uses this 3.5-character gap to detect the start of a frame. In order for

the receiving interrupt service routine to detect this gap, it is suggested that dummy characters be transmitted to help detect the gap. This can be done in the following manner. The transmitter starts transmitting dummy characters when the first character interrupt is received. Each time there is an interrupt, either receiver data register full or transmitter data register empty, a dummy character is transmitted if the transmitter data register is empty. Although the transmitter and receiver operate at approximately the same baud rate, there can be a difference of up to about 5% between their baud rates. Thus the receiver full and transmitter empty interrupts will become out of phase with each other, assuming that the remote station transmits without gaps between characters. A counter is zeroed each time a character is received, and the counter is incremented each time a character is transmitted. If this counter holds (n), this indicates that a gap has been detected in the frame; the length of the gap is (n - 1) to (n) characters. The start of frame could be marked by (n) reaching 3, indicating that the existence of a gap at least two characters long.

13. RABBIT SLAVE PORT

When a Rabbit microprocessor is configured as a slave, Parallel Port A and certain other data lines are used as communication lines between the *slave* and the *master*. The slave unit is a Rabbit configured as a slave. The master can be another Rabbit or any other type of processor. Rabbits configured as slaves can themselves have slaves.

The master and slave communicate with each other via the slave port. The slave port is a physical device that includes data registers, a data bus and various handshaking lines. The slave port is a part of the slave Rabbit, but logically it is an independent device that is used to communicate between the two processors. A diagram of the slave port is shown in Figure 13-1.

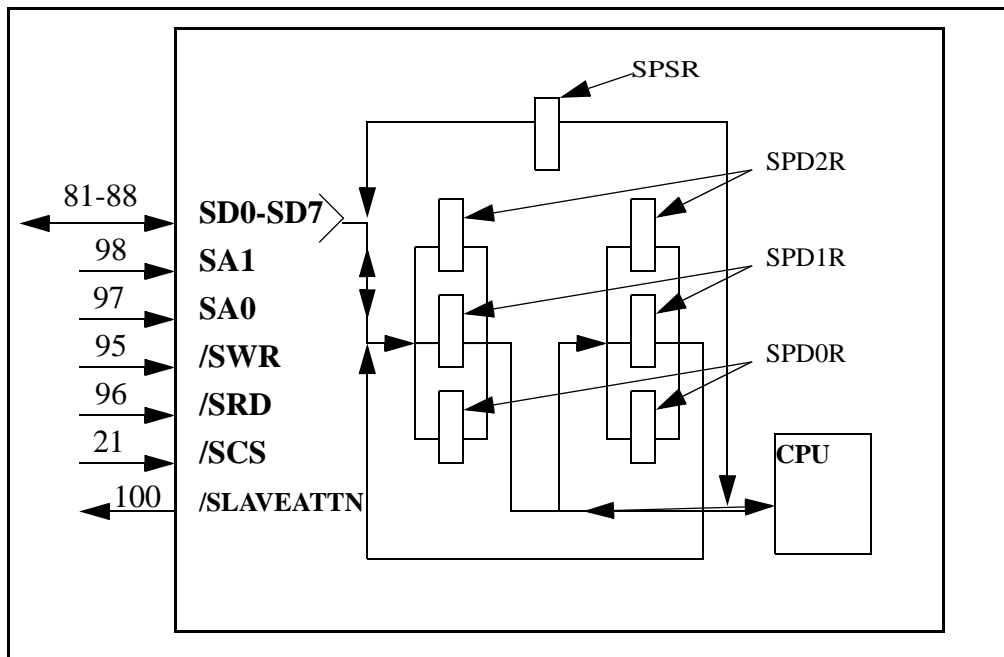


Figure 13-1. Rabbit Slave Port

The slave port has three data registers for each direction of communication. Three registers, named SPD0R, SPD1R, and SPD2R, can be written by the master and read by the slave. Three different registers, also named SPD0R, SPD1R, and SPD2R, can be written by the slave and read by the master. The same names are used for different registers since it is usually clear from the context which register is meant. If it is necessary to distinguish between registers, we will refer to the registers as “SPD0R writable by the slave” or “SPD0R writable by the master.”

A status register can be read by either the slave or the master. The status register has full/empty bits for each of the six registers. A data register is considered *full* when it is written to by whichever side is capable of writing to it. If the same register is then read by either side it is considered to be *empty*. The flag for that register is thus set to a "1" when the register is written to, and the flag is set to a "0" when the register is read.

The registers appear to be internal I/O registers to the slave. To the master, at least for a Rabbit master, the registers appear to be external I/O registers. The figure below shows the sequence of events when the master reads/writes the slave port registers.

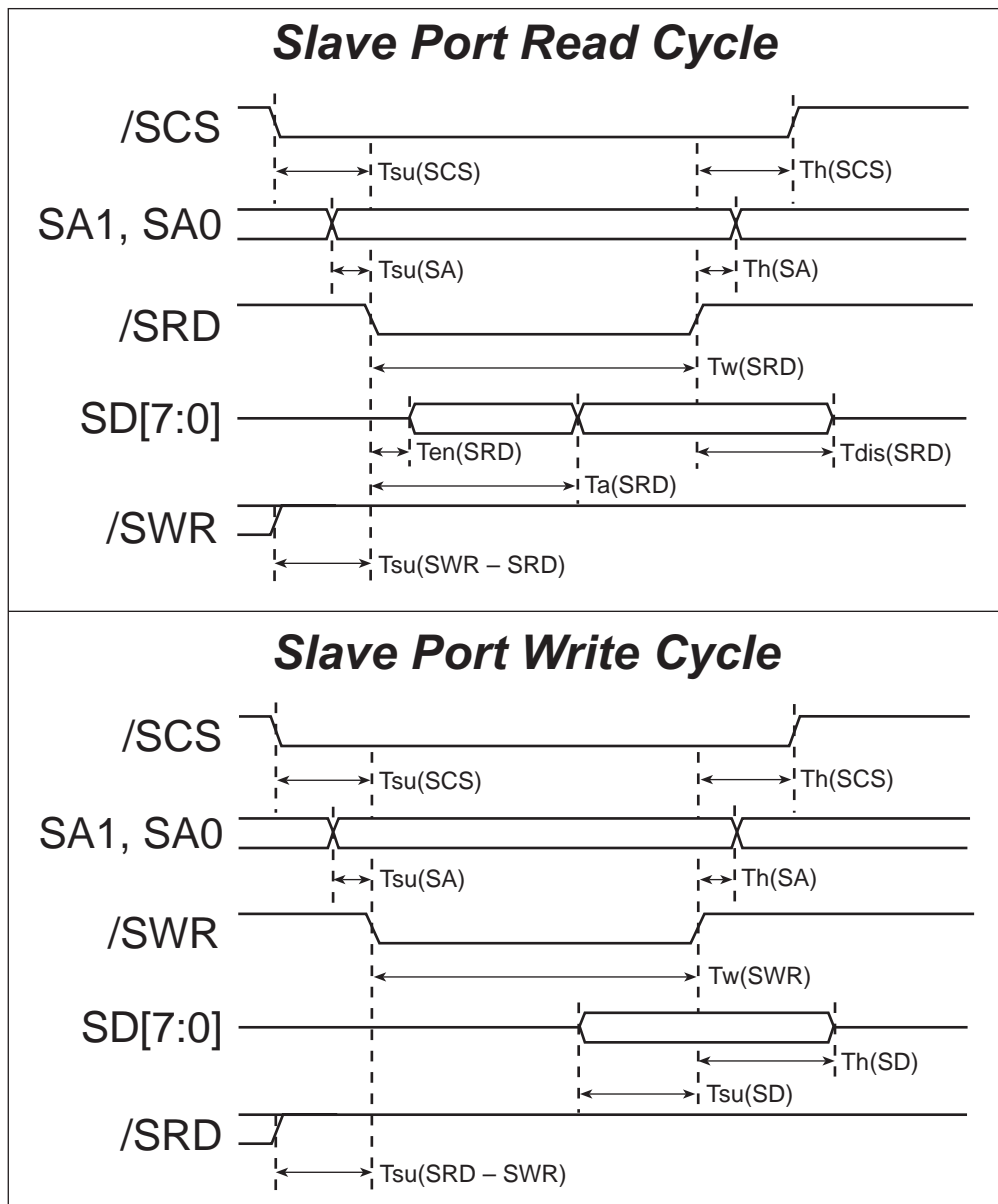


Figure 13-2. Slave Port R/W Sequencing

The following table explains the parameters used in Figure 13-2.

Symbol	Parameter	Minimum (ns)	Maximum (ns)
Tsu(SCS)	/SCS Setup Time	5	—
Th(SCS)	/SCS Hold Time	0	—
Tsu(SA)	SA Setup Time	5	—
Th(SA)	SA Hold Time	0	—
Tw(SRD)	/SRD Low Pulse Width	40	—
Ten(SRD)	/SRD to SD Enable Time	0	—
Ta(SRD)	/SRD to SD Access Time	—	30
Tdis(SRD)	/SRD to SD Disable Time	—	15
Tsu(SRW – SRD)	/SWR High to /SRD Low Setup Time	40	—
Tw(SWR)	/SWR Low Pulse Width	40	—
Tsu(SD)	SD Setup Time	10	—
Th(SD)	SD Hold Time	5	—
Tsu(SRD – SWR)	/SRD High to /SWR Low Setup Time	40	—

The two SPDOR registers have special functionality not shared by the other data registers. If the master writes to SPDOR, an inbound interrupt flip-flop is set. If slave port interrupts are enabled, the slave processor will take a slave port interrupt. If the slave writes to the other SPDOR register, the slave attention line (/SLAVEATTN, pin 100) is asserted (driven low) by the slave processor. This line can be used to create an interrupt in the master. Either side that is interrupted can clear the signal that is causing an interrupt request by writing to the slave port status register. The data bits are ignored, but the flip-flop that is the source of the interrupt request is cleared. Figure 13-3 shows a logical schematic of this functionality.

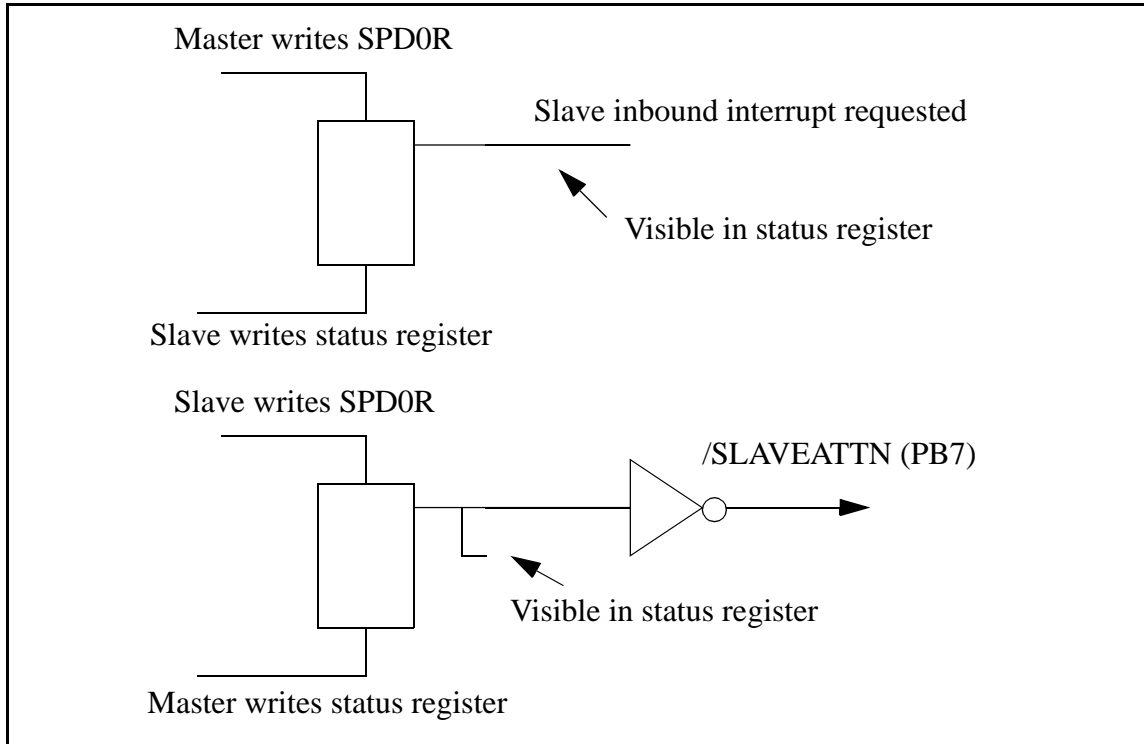


Figure 13-3. Slave Port Handshaking and Interrupts

Figure 13-4 shows a sample connection of two slave Rabbits to a master Rabbit. The master drives the slave reset line for both slaves and provides the main processor clock from its own clock. There is no requirement that the master and slave share a clock, but doing so makes it unnecessary to connect a crystal to the slaves. Each Rabbit in Figure 13-4 has to have RAM memory. The master must also have flash memory. However, the slaves do not need nonvolatile memory since the master can cold boot them over the slave port and download their program. In order for this to happen, the SMODE0 and SMODE1 pins must be properly configured as shown in Figure 13-4 to begin a cold boot process at the end of the slave reset.

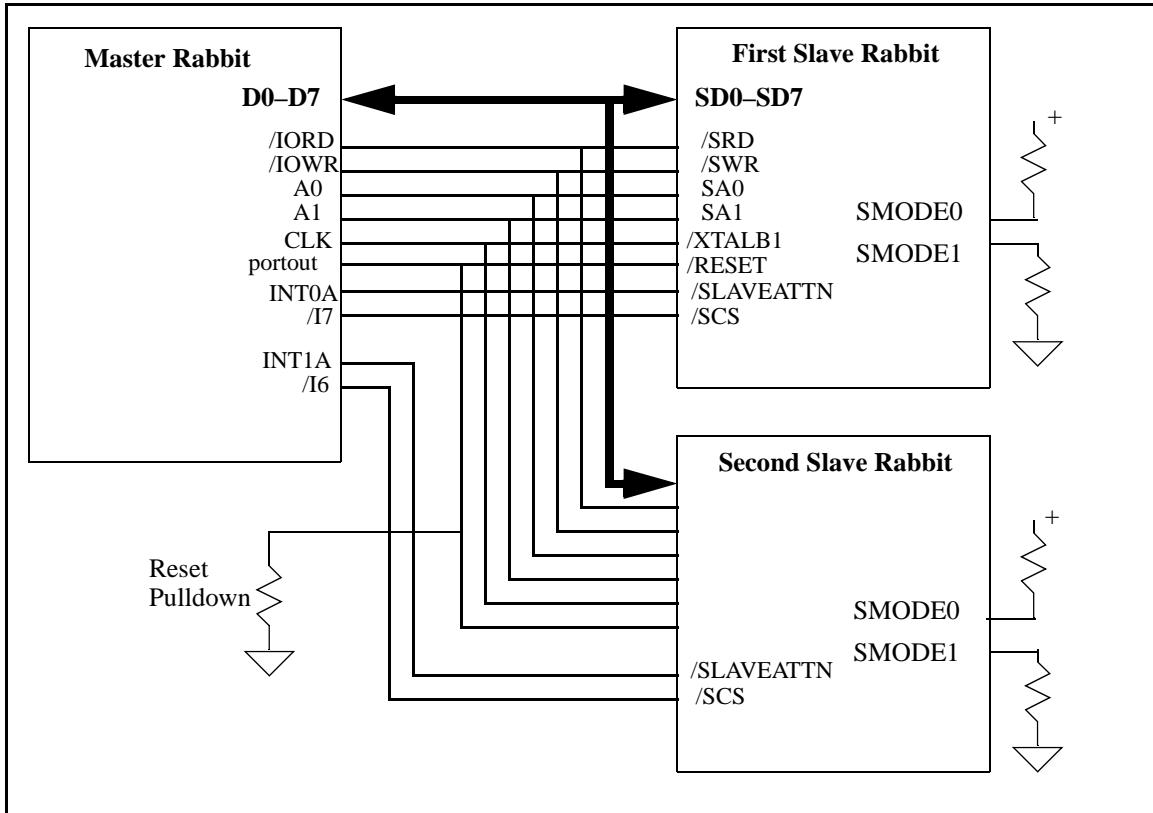


Figure 13-4. Typical Connection Slave Rabbit to Master Rabbit

The slave port lines are shown in Figure 13-1. The function of these lines is described below.

- **SD0–SD7**—These are bidirectional data lines, and are generally connected to the data bus of the master processor. Multiple slaves can be connected to the data bus. The slave drives the data lines only when **/SCS** and **/SRD** are both pulled low.
- **SA1, SA0**—These are address lines used to select one of the four data registers of the slave interface. Normally these lines are connected to the low-order address lines of the master. The master always drives these lines which are always inputs to the slave.
- **/SCS**—Input. Slave chip select. The slave ignores read or write requests unless the chip select is low. If a Rabbit is used as a master, this line can be connected to one of the master’s programmable chip select lines **/I0–/I7**.
- **/SRD**—Input. If **/SCS** is also low, this line pulled low causes the contents of the register selected by the address lines to be driven on the data bus. If a Rabbit is used as a master, this line is normally connected to the global I/O read strobe **/IORD**.
- **/SWR**—Input. If **/SCS** is also low, this line causes the data bits on the data bus to be clocked into the register selected by the address lines on the rising edge of **/SWR** or **/SCS**, whichever rises first. If a Rabbit is used as a master, this line is normally connected to the global I/O write strobe **/IOWR**.

- /SLAVEATTN—This line is set low (asserted) if the slave writes to the SPDOR register. This line is set high if the master writes anything to the slave status register. This line is usually connected to cause the master to be interrupted when it goes low.

The data lines of the slave port are shared with Parallel Port A that uses the same package pins. The slave port can be enabled, and Parallel Port A be disabled, by storing an appropriate code in the slave port control register (SCR). After the processor is reset, all the pins belonging to the slave interface are configured as parallel-port inputs unless (SMODE1, SMODE0) are set to (0,1), in which case the slave port is enabled after reset and the slave starts the cold-boot sequence using the slave port.

13.1 Hardware Design of Slave Port Interconnection

Figure 13-4 shows a typical circuit diagram for connecting two slave Rabbits to a master Rabbit. The designer has the option of cold-booting the slave and downloading the program to RAM on each cold start. Another option is to configure the slave with both RAM and flash memory. In this case, the slave will only have the program downloaded for maintenance or upgrades. Usually, the flash would not be written to on every startup because of the limited number of lifetime writes to flash memory. The slaves' reset in Figure 13-4 is under the program control of the master. If the master is reset, the slave will also be reset because the master's drive of the reset line will be lost on reset and the pull-down resistor will pull the slaves' resets low. This may be undesirable because it forces the slave to crash if the master crashes and has a watchdog timeout.

13.2 Slave Port Registers

The slave port registers are listed in Table 13-1. These registers, each of which is actually two separate registers, one for read and one for write, are accessible to the slave at the I/O addresses shown in the table and they are accessible to the master at the external address shown which specifies the value of the slave address (SA0, SA1) input to the slave when the master reads or writes the registers. The register that can be written by the slave can only be read by the master and vice versa. If one side were to attempt to read a register at the same time that the other side attempted to write the register the result of the read could be scrambled. However, the protocols and handshaking bits used in communication are normally such that this never happens.

Table 13-1. Slave Port Registers

Register	Mnemonic	Internal Address	External Address
Slave Port Data 0 Register	SPD0R	0x20	0
Slave Port Data 1 Register	SPD1R	0x21	1
Slave Port Data 2 Register	SPD2R	0x22	2
Slave Port Status Register	SPSR	0x23	3
Slave Port Control Register	SPCR	0x24	N.A.

If the user for some reason wants to depart from the suggested protocols and poll a register while waiting for the other side to write something to the register, the user should be aware that all the bits might not change at the exact same time when the result changes, and a transitional value could be read from the register where some bits have changed to the new value and others have not. To avoid being confused by a transitional value, the user can read the register twice and make sure both values are the same before accepting the value, or the user can test only one bit for a change. The transitional value can only exist for one read of the register, and each bit will have its old value change to the new value at some point without wavering back and forth. The existence of a transitional value could be very rare and has the potential to create a bug that happens often enough to be serious, but so infrequently as to be difficult to diagnose. Thus, the user is cautioned to avoid this situation.

Table 13-2 describes the slave port control register.

Table 13-2. Slave Port Control Register (SPCR) (adr = 0x024)

Bit 7 (Write Only)	Bits 6,5 (Read Only)	Bit 4	Bit 3,2 (Write Only)	Bits 1,0 (Write Only)
0—obey SMODE pins 1—ignore SMODE pins	Reads SMODE pins smode1,smode0	x	00—disable slave port, port A is a byte wide input port 01—disable slave port, port A is a byte wide output port 10—enable the slave port 11—Enable the auxilliary I/O bus. Parallel Port A is used for the data bus and Parallel Port B[7:2] is used for the address bus.	00—no slave interrupt pp—enable slave port interrupt 01 priority 1 10 priority 2 11 priority 3

The functionality of the bits is as follows:

Bit 7—If set to "0," the cold-boot feature will be enabled. Normally this bit is set to a "1" after the cold boot is complete. The cold boot for the slave port is enabled automatically if (SMODE1, SMODE0) lines are set to (0,1) after the reset ends. This features disables the normal operation of the processor and causes commands to be accepted via the slave port register SPD0R. These commands cause data to be stored in memory or I/O space. When the master that is managing the cold boot has finished setting up memory and I/O space, the (SMODE1, SMODE0) pins are changed to code (0,0), which causes execution to start at address zero. Typically this will start execution of a secondary boot program. At some point, bit 7 will be set to a "1" so that the SMODEx pins can be used as normal input pins.

Bits 6,5—May be used to read the input pins SMODE, SMODE0.

Bits 3,2—A "10" written to bits 3,2 enables the slave port disabling Parallel Port A and various other port lines. Bits 3,2 are automatically set to a "10" if a cold boot is done via the slave port. If bit 3 is "0," then bit 2 controls whether Parallel Port A is an input (bit 2 = 0) or an output (bit 2 = 1). A "11" written to bits 3,2 enables the Auxilliary I/O bus.

Bits 1,0—This 2-bit field sets the priority of the slave port interrupt. The interrupt is disabled by (0,0).

Table 13-3 describes the slave port status register. The status register has 6 bits that are set if the particular register is full. That means that the register has been written by the processor that can write to it but it has not been read by the processor that can read it. The bits for SPD0R are used to control the slave interrupt and the handshaking lines as shown in Figure 13-3.

Table 13-3. Slave Port Status Register (SPSR) (adr = 0x023)

Bit 7	Bit 6	Bit 5	Bit 4	Bit 3	Bit 2	Bit 1	Bit 0
1—set by master write to SPD0R. Cleared by slave write to SPSR.	1—set by master write to SPD2R. Cleared when slave reads register.	1—set by master write to SPD1R. Cleared when slave reads register.	1—set by master write to SPD0R. Cleared when slave reads register.	1—set by slave write to SPD0R. Cleared by master write to SPSR.	1—set by slave write to SPD2R. Cleared when master reads register.	1—set by slave write to SPD1R. Cleared when master reads register.	1—set by slave write to SPD0R. Cleared when master reads register.

13.3 Applications and Communications Protocols for Slaves

The communications protocol used with the slave port depends on the application. A slave processor may be used for various reasons. Some possible applications are listed below.

Keep in mind that the Rabbit can also be operated as a slave processor via a serial port and some of the protocols will work well via a serial communications connection. If a serial connection is used, the protocol becomes more complicated if errors in transmission need to be taken into account. If the physical link can be controlled so that transmission errors do not occur, a realistic possibility if the interconnection environment is controlled, the serial protocol is simpler and faster than if error correction needs to be taken into account.

13.3.1 Slave Applications

- **Motion Controller**—Many types of motion control require fast action, may be compute-intensive or both. Traditional servo system solutions may be overly expensive or not work very well because of system nonlinearities. The basic communications model for a motion controller is for the master to send short messages—positioning commands—to the slave. The slave acknowledges execution of the commands and reports exception conditions.
- **Communications Protocol Processor**—Communications protocols may be very complex, may require fast responses, or may be compute-intensive.
- **Graphics Controller**—The Rabbit can be used to perform operations such as drawing geometric figures and generating characters.
- **Digital Signal Processing**—Although the Rabbit is not a speciality digital signal processor, it has enough compute speed to handle some types of jobs that might otherwise

require a speciality processor. The slave processor can process data to perform pattern recognition or to extract a specific parameter from a data stream.

13.3.2 Master-Slave Messaging Protocol

In this protocol the master sends messages to the slave and receives an acknowledgement message. The protocol can be polled or interrupt driven. Generally, the master sends a message that has a message type code, perhaps a byte count, and the text of the message. The slave responds with a similar message as an acknowledgement. Nothing happens unless the master sends a message. The slave is not allowed to initiate a message, but the slave could signal the master by using a parallel port line other than /SLAVEATTN or by placing data in one of the registers the master can read without interfering with the message protocol.

The master sends a message byte by storing it in SPDOR. The slave notices that SPDOR is full and reads the byte. When the master notices that SPDOR is empty because the slave read it, the master stores the next byte in SPDOR. Either side can tell if any register is empty or full by reading the status register. When the slave acknowledges the message with a reply message, the process is reversed. To perform the protocol with interrupts, a slave interrupt can be generated each time the slave receives a character. The slave can acknowledge the master by reading SPDOR if the master is polling for the slave response to each character. If the master is to be interrupted to acknowledge each character, the slave can create an interrupt in the master by storing a dummy character in SPDOR to create a master interrupt, assuming that the /SLAVEATTN line is wired to interrupt the master. The acknowledgement message works in a similar manner, except that the master writes a dummy character to interrupt the slave to say that it has the character.

Several problems can arise if there are dual interrupts for each character transmitted. One problem is that the message transmission rate will free run at a speed limited by the interrupt latency and compute speed of each processor. This could consume a high percentage of the compute resources of one or both processors, starving other processes and especially interrupt routines, for compute time. If this is a problem, then a timed interrupt can be used to drive the process on one side, thus limiting the data transmission rate.

Another solution, which may be better than limiting the transmission rate, is to use interrupts only for the first byte of the message on the slave side, and then lower the interrupt priority and conduct the rest of the transaction as a polled transaction. On the master side the entire transaction can be a polled transaction. In this case, the entire transaction takes place in the interrupt routine on the slave, but other interrupts are not inhibited since the priority has been lowered.

A typical slave system consists of a Rabbit microprocessor and a RAM memory connected to it. The clock can be provided either by connecting a crystal, or crystals to the slave or by providing an external clock, which could be the master's clock. The reset line of the slave would normally be driven by the master. At system startup time the master resets the slave and cold boots it via the slave port. (The SMODE pins must be configured

for this.) Once the software is loaded into the slave, the slave can begin to perform its function.

As a simple example, suppose that the slave is to be used as a four-port UART. It has the capability to send or receive characters on any of its four serial ports. Leaving aside the question of setup for parameters, such as the baud rate, we could define a protocol as follows.

SPD0R readable by master is a status register with bits indicating which of the four receivers and four transmitters is ready, that is, has a character received or is ready to send a character.

SPD0R writable by the master is a control register used to send commands to the slave.

SPD1R is used to send or receive data characters or control bytes.

The line /SLAVEATTN is wired to the external interrupt request of the master so that the master is interrupted when the slave writes to SPD0R. Typically the slave will write to SPD0R when there is a change of status on one of the serial ports.

The slave can interrupt the master at any time by storing to SPD0R. It will do this every time an enabled transmitter is ready to accept a character or every time an enabled receiver receives a character. When it stores to SPD0R, it will store a code indicating the reason for the interrupt, that is, receive or transmit and channel number. If the cause is receive, the received character will also be placed in SPD1R writable by the slave. When the master is interrupted for any reason, the master will sneak a peek at SPD0R by reading SPSR. If the interrupt is caused by a receive character, it will remove the character from SPD1R and read SPD0R to handshake with the slave.

If the master is interrupted for transmitter ready, as determined by the sneak peek, it will place the outgoing character in SPD1R and write a code to SPD0R indicating transmit and channel number. This will cause the slave to be interrupted, and the slave will take the character and handshake by reading SPD0R. This handshake does not interrupt the master.

14. RABBIT 3000 CLOCKS

The Rabbit 3000 normally uses two clocks, the main clock and the 32.768 kHz clock. The 32.768 kHz clock is needed for the battery-backable clock, the watchdog timer, and the cold-boot function. The main oscillator provides the run-time clock for the microprocessor. Figure 14-1 shows the main oscillator circuit. TN235, *External 32.768 kHz Oscillator Circuits*, provides further information on the 32.768 kHz oscillator circuit and selecting the values of components to use in the oscillator circuit.

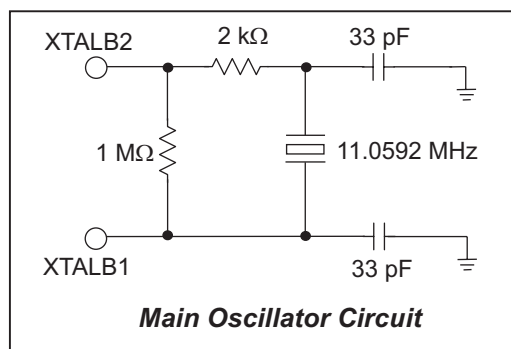


Figure 14-1. Rabbit 3000 Main Oscillator Circuit

NOTE: You may have to adjust resistors and capacitors for various frequencies and crystal load capacitances.

The 32.768 kHz oscillator is slow to start oscillating after power-on. For this reason, a wait loop in the BIOS waits until this oscillator is oscillating regularly before continuing the startup procedure. If the clock is battery-backed, there will be no startup delay since the oscillator is already oscillating. The startup delay may be as much as 5 seconds. Crystals with low series resistance ($R < 35 \text{ k}\Omega$) will start faster.

14.1 Low-Power Design

The power consumption is proportional to the clock frequency and to the square of the operating voltage. Thus, operating at 3.3 V instead of 5 V will reduce the power consumption by a factor of $10.9/25$, or 43% of the power required at 5 V. The clock speed is reduced proportionally to the voltage at the lower operating voltage. Thus the clock speed at 3.3 V will be about $2/3$ of the clock speed at 5 V. The operating current is reduced in proportion to the operating voltage.

The Rabbit 3000 does not have a "standby" mode that some microprocessors have. Instead, the Rabbit has the ability to switch its clock to the 32.768 kHz oscillator. This is called the *sleepy* mode. When this is done, the power consumption is decreased dramatically. The current consumption is often reduced to the region of 100 μA at this clock speed. The Rabbit executes about 6 instructions per millisecond at this low clock speed. Generally, when the speed is reduced to this extent, the Rabbit will be in a tight polling loop looking for an event that will wake it up. The clock speed is increased to wake up the Rabbit.

15. EMI CONTROL

EMI or electromagnetic interference from unintentional radiation is of concern to the microprocessor system designer.

One concern is passing the tests sometimes required by the U.S. Federal Communications Commission (FCC) or by the European EMC Directive. For example, in the U.S. the FCC requires that computing devices intended for use in the home or in office environments (but not industrial or medical environments) not have unintentional electromagnetic radiation above certain limits of field strength that depend on frequency and whether the device is intended for home or office use. This is verified by measuring radiation from the device at a test site. The device under test (DUT) is operated in a typical fashion with a typical mechanical and electrical configuration while the electromagnetic radiation is measured by a calibrated antenna located either 3 or 10 m from the device. The output of the antenna is connected to a spectrum analyzer. For the purposes of the test, the spectral power is measured by using a filter with a bandwidth of 120 kHz. The peak power is measured by using a “quasi peak” detector in the spectrum analyzer. The quasi peak detector has a charge time constant of 1 ms and a discharge time constant of 550 ms. In this manner the peak radiated signal strength is measured. The tests required by the FCC and the EC are practically identical.

The Rabbit 3000 has important features that aid in the control of EMI.

- The power supply for the processor core is on separate pins from the power supply for the I/O buffers associated with the processor and various peripheral devices.
- A spectrum spreader in the clock circuit can be enabled to spread the spectrum of the clock by varying the clock frequency in a regular pattern.
- The built in clock doubler allows the external oscillator circuitry to operate at 1/2 the ultimate clock frequency.
- In most cases it is not necessary to route the system clock outside the package, although a pin is provided for this purpose in the unusual circumstances where it might be necessary. The high speed clock on PC board traces is a major cause of EMI.

If all the EMI suppression features of the Rabbit 3000 are properly utilized and low EMI design techniques are used on the printed circuit board, system EMI will likely be reduced to a very low level, probably much lower than is necessary to pass government tests.

15.1 Power Supply Connections and Board Layout

Refer to Technical Note TN221, *PC Board Layout Suggestions for the Rabbit 3000 Microprocessor*, for recommendations on laying out a PC board to minimize EMI emissions.

15.2 Using the Clock Spectrum Spreader

The spectrum spreader is very powerful for reducing EMI because it will reduce all sources of EMI above 100 MHz that are related to the clock by about 15 dB. This is a very large reduction since it is common to struggle to reduce EMI by 5 dB in order to pass government tests.

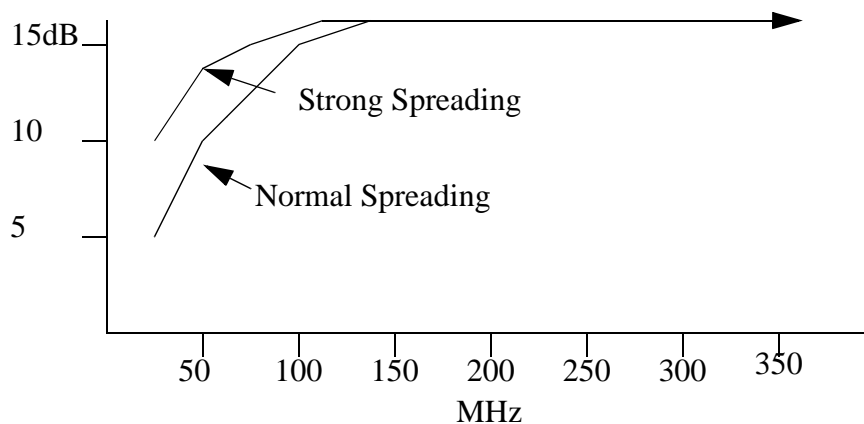


Figure 15-1. Peak Spectral Amplitude Reduction from Spectrum Spreader

The spectrum spreader modulates the clock so as to spread out the spectrum of the clock and its harmonics. Since the government tests use a 120 kHz bandwidth to measure EMI, spreading the energy of a given harmonic over a wider bandwidth will decrease the amount of EMI measured for a given harmonic. The spectrum spreader not only reduces the EMI measured in government tests, but it will also often reduce the interference created for radio and television reception.

The spectrum spreader has three settings under software control (see Table 15-1 and Table 15-2): off, standard spreading and strong spreading.

Two registers control the clock spectrum spreader. These registers must be loaded in a specific manner with proper time delays. GCM0R is only read by the spectrum spreader at the moment when the spectrum spreader is enabled by storing 0x080 in GCM1R. If GCM1R is cleared (when disabling the spectrum spreader), there is up to a 500-clock delay before the spectrum spreader is actually disabled. The proper procedure is to clear GCM1R, wait for 500 clocks, set GCM0R, and then enable the spreader by storing 0x080 in GCM1R.

Table 15-1. Spread Spectrum Enable/Disable Register

Global Clock Modulator 0 Register (GCM0R) (Address = 0x0A)		
Bit(s)	Value	Description
7	0	Enable normal spectrum spreading.
	1	Enable strong spectrum spreading.
6:0		These bits are reserved.

Table 15-2. Spread Spectrum Mode Select

Global Clock Modulator 1 Register (GCM1R) (Address = 0x0B)		
Bit(s)	Value	Description
7	0	Disable the spectrum spreader.
	1	Enable the spectrum spreader.
6:0		These bits are reserved.

When the spectrum spreader is engaged, the frequency is modulated, and individual clock cycles may be shortened or lengthened by an amount that depends on whether the clock doubler is engaged and whether the spectrum spreader is set to the normal or strong setting. The frequency modulation amplitude and the change in clock cycle length is greater at lower voltages or higher temperatures since it is sensitive to process parameters. The spectrum spreader also introduces a time offset in the system clock edge and an equal offset in edges generated relative to the system clock. A feedback system limits the worst case time error of any signal edge derived from the system clock to plus or minus 20 ns for the normal setting and plus or minus 40 ns for the strong setting at 3.3 V. The maximum time offset is inversely proportional to operating voltage. The time error will not usually interfere with communications channels, except perhaps at the extreme upper data rates. More details on dealing with the clock variation introduced are available elsewhere (see Chapter 16, “AC Timing Specifications”).

If the input oscillator frequency is 4 MHz or less the spectrum spreader modulation of frequency will enter the audio range of 20 kHz or less and may generate an audible whistle in FM stations. For this reason it may be desirable to disable the spreader for low speed oscillators (where it is probably unnecessary anyway). However, in practical cases the whistle may not be audible due to the very low level of the interference from a system with low oscillator frequency and the spectrum spreader engaged. Each halving of clock frequency reduces the amplitude of the harmonics at a given frequency by 6 dB or more.

The effect of pure harmonic noise on an FM station is to either completely block out a station near the harmonic frequency or to disturb reception of that station. If the spectrum spreader is engaged then interference will be spread across the band but will generally be

so low as to be undetectable, except perhaps for extremely weak stations. The effect of a pure harmonic on TV reception is to create a herringbone pattern created by a harmonic falling within the station's band. If the spreader is engaged the pattern will disappear unless the station is very weak, in which case the interference will be seen as noise distributed over the screen.

16. AC TIMING SPECIFICATIONS

The Rabbit 3000 processor may be operated at voltages between 1.8 V and 3.6 V, and at temperatures from -40°C to $+85^{\circ}\text{C}$ with use possible over the extended range -55°C to $+105^{\circ}\text{C}$. For long life it is desirable not to exceed a die temperature of 125°C . Most users will operate the Rabbit at 3.3 V.

16.1 Memory Access Time

Required memory address and output enable access time for some important typical cases are given in the table below. It is assumed that the clock doubler is used, that the clock spreader is enabled in the normal mode, that the memory early output enable is on, and that the address bus has 60 pF load.

Table 16-1. Memory Requirements at 3.3 V, -40°C to $+85^{\circ}\text{C}$, Adr Bus 60 pF

Clock Frequency (MHz)	Period (ns)	Clock Doubler Nominal Delay (ns)	Memory Address Access (ns)	Memory Output Enable Access (ns)
18.43	54	20	97	60
22.11	45	20	78	51
24.00	42	19	72	45
25.80	39	17	66	43
29.49	34	16	56	37
44.24	22.5	10	33.5	22

All important signals on the Rabbit 3000 are output synchronized with the internal clock. The internal clock is closely synchronized with the external clock (CLK) that may be optionally output from pin 2 of the TQFP package. The delay in signal output depends on the capacitive load on the output lines. In the case of the address lines, which are critically important for establishing memory access time requirements, the capacitive loading is usually in the range of 25–100 pF, and the load is due to the input capacitance of the memory devices and PC trace capacitance. Delays are expressed from the waveform midpoint in keeping with the convention used by memory manufacturers.

Figure 16-1 illustrates the parameters used to describe memory access time.

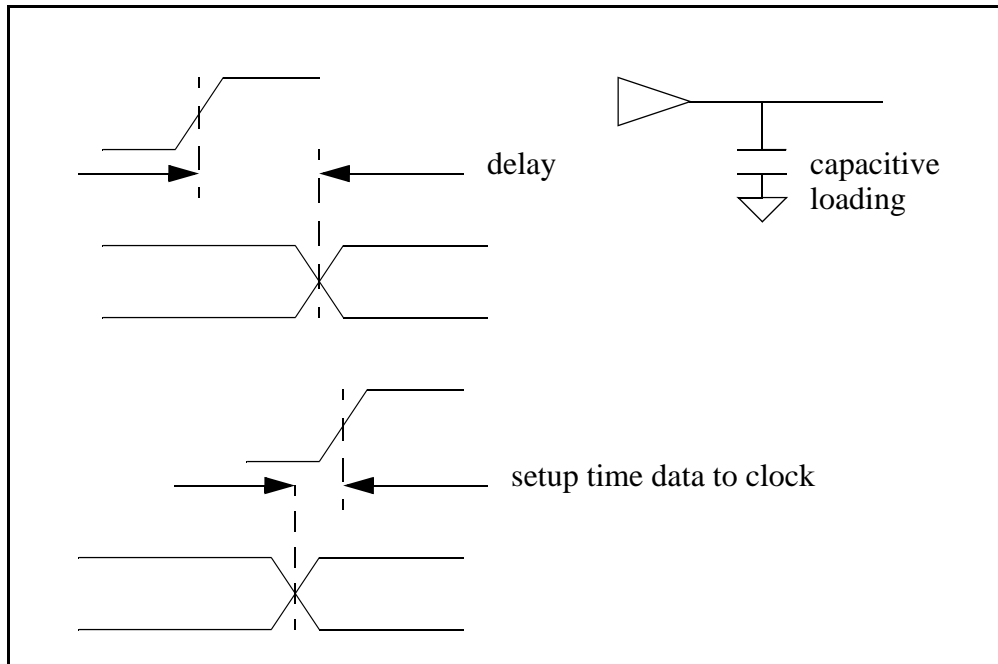


Figure 16-1. Parameters Used to Describe Memory Access Time

Table 16-2 lists the delays in gross memory access time for several values of V_{DD} .

Table 16-2. Data and Clock Delays $V_{DD} \pm 10\%$, Temp, -40°C – $+85^{\circ}\text{C}$ (maximum)

VDD	Clock to Address Output Delay (ns)			Data Setup Time Delay (ns)	Spectrum Spreader Delay (ns)	
	30 pF	60 pF	90 pF		Normal no dbl/dbl	Strong no dbl/dbl
3.3	6	8	11	1	3/4.5	4.5/9
2.7	7	10	13	1.5	3.5/5.5	5.5/11
2.5	8	11	15	1.5	4/6	6/12
1.8	18	24	33	3	8/12	11/22

When the spectrum spreader is enabled with the clock doubler, every other clock cycle is shortened (sometimes lengthened) by a maximum amount given in the table above. The shortening takes place by shortening the high part of the clock. If the doubler is not enabled, then every clock is shortened during the low part of the clock period. The maximum shortening for a pair of clocks combined is shown in the table.

Figure 16-2 and Figure 16-3 illustrate the memory read and write cycles. The Rabbit 3000 operates at 2 clocks per bus cycle plus any wait states that might be specified.

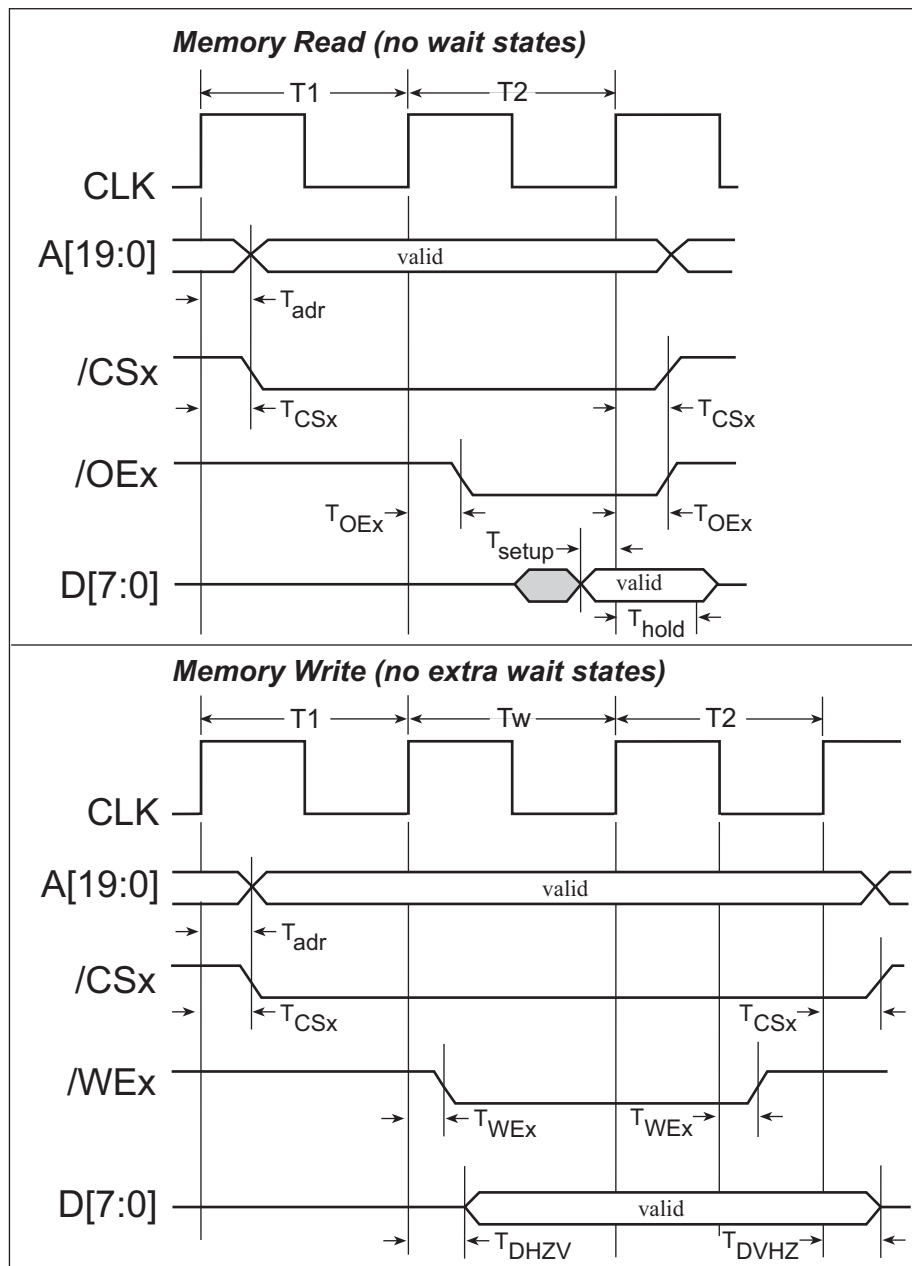


Figure 16-2. Memory Read and Write Cycles

The following memory read time delays were measured.

Table 16-3. Memory Read Time Delays

Time Delay	Output Capacitance		
	30 pF	60 pF	90 pF
Max. clock to address delay (T_{adr})	6 ns	8 ns	11 ns
Max. clock to memory chip select delay (T_{CSx})	6 ns	8 ns	11 ns
Max. clock to memory read strobe delay (T_{OEX})	6 ns	8 ns	11 ns
Min. data setup time (T_{setup})	1 ns		
Min. data hold time (T_{hold})	0 ns		

The measurements were taken at the 50% points under the following conditions.

- $T = -40^{\circ}\text{C}$ to 85°C , $V = 3.3\text{ V}$
- Internal clock to nonloaded CLK pin delay $\leq 1\text{ ns}$ @ $85^{\circ}\text{C}/3.0\text{ V}$

The following memory write time delays were measured.

Table 16-4. Memory Write Time Delays

Time Delay	Output Capacitance		
	30 pF	60 pF	90 pF
Max. clock to address delay (T_{adr})	6 ns	8 ns	11 ns
Max. clock to memory chip select delay (T_{CSx})	6 ns	8 ns	11 ns
Max. clock to memory write strobe delay (T_{WEX})	6 ns	8 ns	11 ns
Max. high Z to data valid rel. to clock (T_{DHzV})	10 ns	12 ns	15 ns
Max. data valid to high Z rel. to clock (T_{DVHz})	10 ns	12 ns	15 ns

The measurements were taken at the 50% points under the same conditions that the memory read delays were measured.

See Table 16-2 for delays at other voltages.

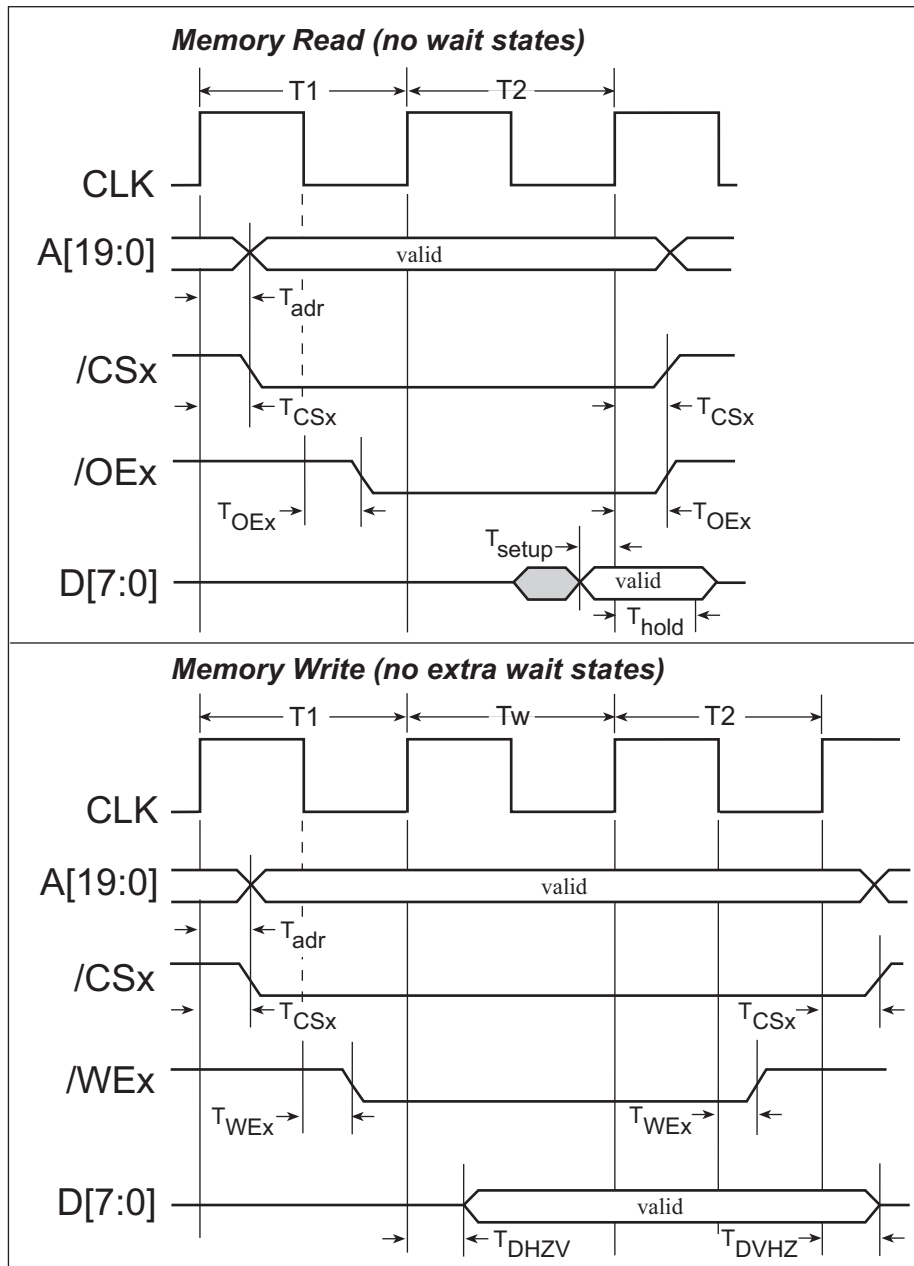


Figure 16-3. Memory Read and Write Cycles—Early Output Enable and Write Enable Timing

Figure 16-4 illustrates the sources that create memory access time delays.

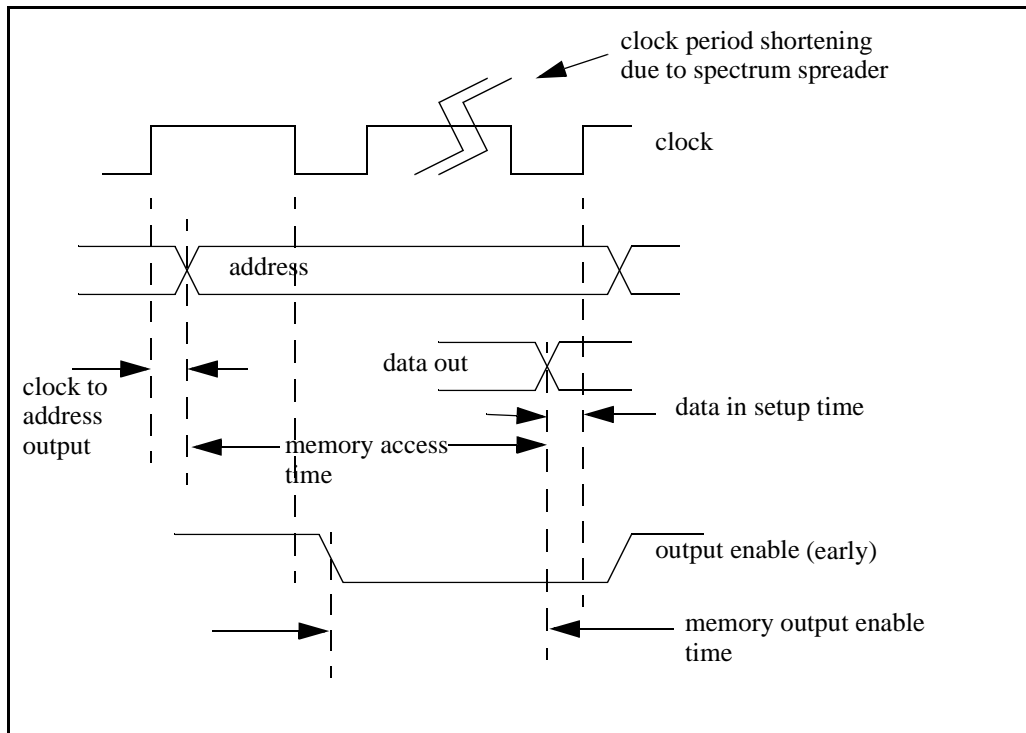


Figure 16-4. Sources of Memory Access Time Delays

The gross memory access time is $2T$, where T is the clock period. To calculate the actual memory access time, subtract the clock to address output time, the data in setup time, and the clock period shortening due to the clock spectrum spreader from $2T$.

Example

- clock = 29.49 MHz,
- $T = 34$ ns,
- operating voltage is 3.3 V,
- bus loading is 60 pF,
- address to output time = 8 ns (see Table 16-2),
- data setup time = 1 ns,
- the spectrum spreader is on in normal mode, resulting in a loss of 3 ns.

The access time is given by

$$\begin{aligned}
 \text{access time} &= 2T - (\text{clock to address}) - (\text{data setup}) - (\text{spreader delay}) \\
 &= 68 \text{ ns} - 8 \text{ ns} - 1 \text{ ns} - 3 \text{ ns} \\
 &= 56 \text{ ns}
 \end{aligned}$$

The required memory output enable access time is more complicated since it is affected by the clock doubler delays. The clock doubler setup register creates a nominal delay time ranging from 6 to 20 ns, resulting in a nominal clock low time ranging from 6 to 20 ns. The clock low time depends on internal delays, and is subject to variation arising from process variation, operating voltage and temperature. Minimum and maximum clock low times for various doubler settings are given in the formulas and in the graph below.

$$\text{Max. delay @ 3.3 V} = 6.1 + 1.21(n - 6) \quad [n \text{ is the nominal delay, } 6\text{--}20 \text{ ns}]$$

$$\text{Min. delay @ 3.3 V} = 3.7 + 0.75(n - 6)$$

$$\text{Max. delay @ 2.5 V} = 7.6 + 1.67(n - 6)$$

$$\text{Min. delay @ 2.5 V} = 4.7 + 1.03(n - 6)$$

$$\text{Max. delay @ 1.8 V} = 12.2 + 2.7(n - 6)$$

$$\text{Min. delay @ 1.8 V} = 6.6 + 1.44(n - 6)$$

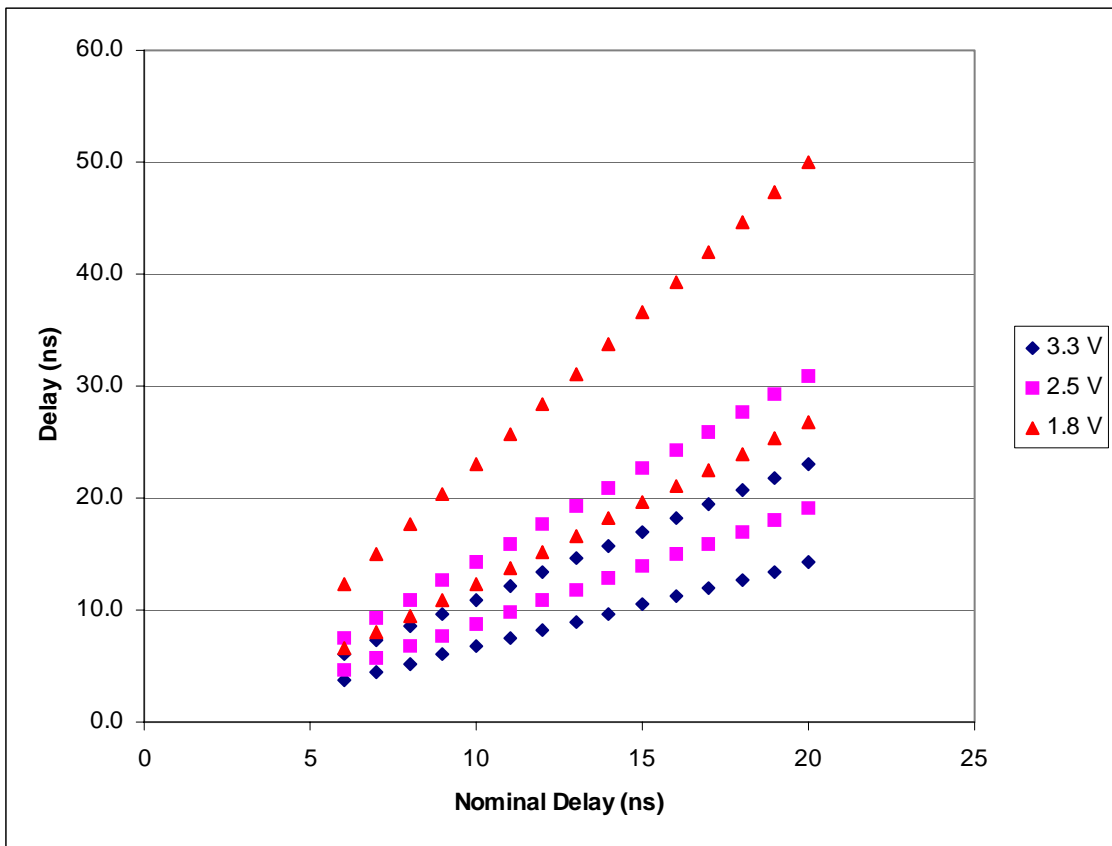


Figure 16-5. Clock Doubler Max-Min Clock Low Times

The following factors have to be taken into account when calculating the output enable access time required.

- The gross output enable access time is $T +$ minimum clock low time (it is assumed that the early output enable option is enabled) This is reduced by the spectrum spreader loss, the time from clock to output for the output enable signal, the data setup time, and a correction for the asymmetry of the original oscillator clock.

Example

- Clock = 29.49 MHz,
- $T = 34$ ns,
- operating voltage is 3.3 V,
- the clock doubler has a nominal delay of 16 ns, resulting in a minimum clock low time of 12.8 ns,
- the spectrum spreader is on in normal mode, resulting in a loss of 3 ns,
- clock to output enable is 5 ns (assuming 20 pF load),
- the clock asymmetry is 52-48, resulting in a loss of 4% of the clock period, or 1.4 ns.

The output enable access time is given by

$$\begin{aligned} &\text{access time} \\ &= T + (\text{min. clock low}) - (\text{clock to output enable}) - (\text{spreader delay}) - (\text{asymmetry delay}) \\ &\quad - (\text{data setup time}) \\ &= 34 \text{ ns} + 12.8 \text{ ns} - 5 \text{ ns} - 3 \text{ ns} - 1.36 \text{ ns} - 1 \text{ ns} \\ &= 36.5 \text{ ns} \end{aligned}$$

16.2 I/O Access Time

Figure 16-6 illustrates the I/O read and write cycles.

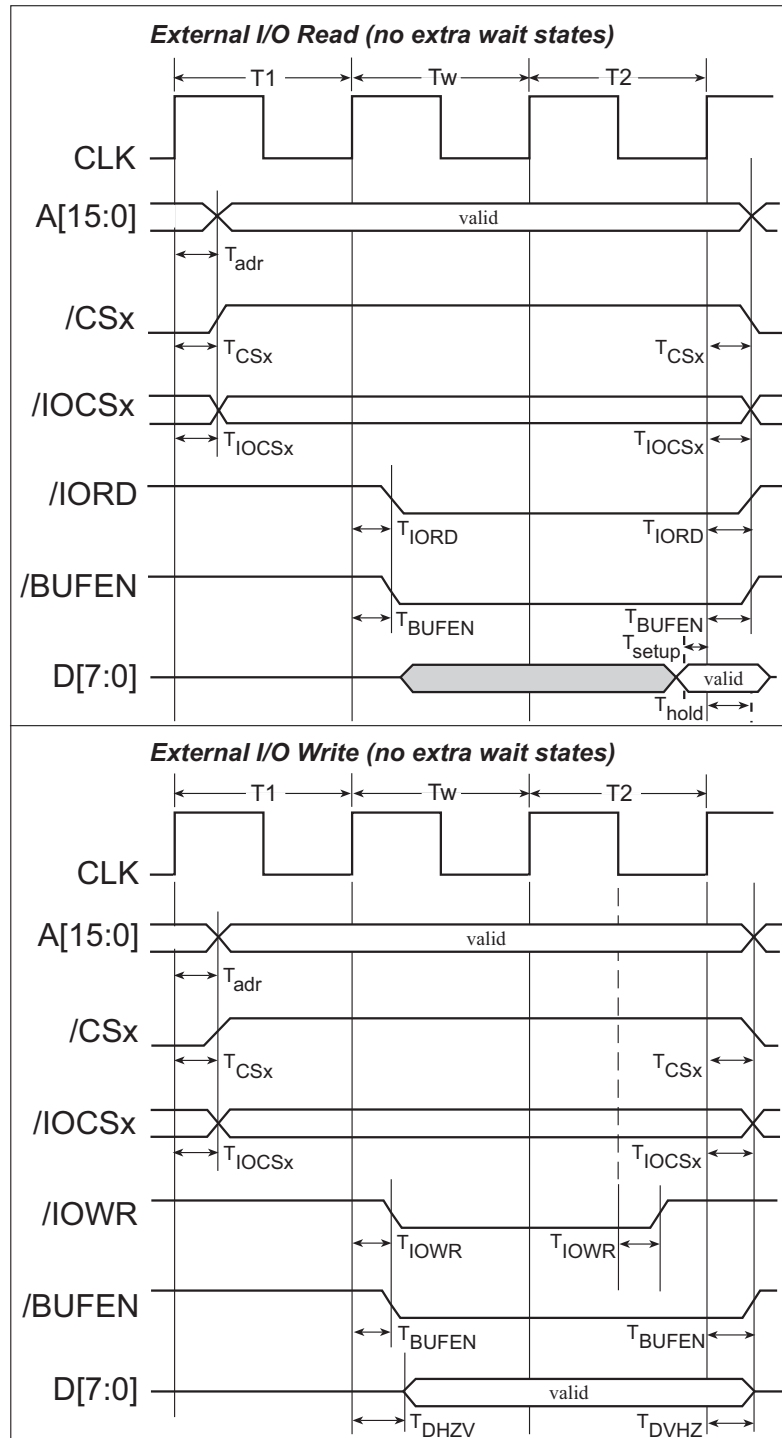


Figure 16-6. I/O Read and Write Cycles—No Extra Wait States

NOTE: **/IOCSx** can be programmed to be active low (default) or active high.

The following I/O read time delays were measured.

Table 16-5. I/O Read Time Delays

Time Delay	Output Capacitance		
	30 pF	60 pF	90 pF
Max. clock to address delay (T_{adr})	6 ns	8 ns	11 ns
Max. clock to memory chip select delay (T_{CSx})	6 ns	8 ns	11 ns
Max. clock to I/O chip select delay (T_{IOCSx})	6 ns	8 ns	11 ns
Max. clock to I/O read strobe delay (T_{IORD})	6 ns	8 ns	11 ns
Max. clock to I/O buffer enable delay (T_{BUFEN})	6 ns	8 ns	11 ns
Min. data setup time (T_{setup})	1 ns		
Min. data hold time (T_{hold})	0 ns		

The measurements were taken at the 50% points under the following conditions.

- $T = -40^{\circ}\text{C}$ to 85°C , $V = 3.3\text{ V}$
- Internal clock to nonloaded CLK pin delay $\leq 1\text{ ns}$ @ $85^{\circ}\text{C}/3.0\text{ V}$

The following I/O write time delays were measured.

Table 16-6. I/O Write Time Delays

Time Delay	Output Capacitance		
	30 pF	60 pF	90 pF
Max. clock to address delay (T_{adr})	6 ns	8 ns	11 ns
Max. clock to memory chip select delay (T_{CSx})	6 ns	8 ns	11 ns
Max. clock to I/O chip select delay (T_{IOCSx})	6 ns	8 ns	11 ns
Max. clock to I/O write strobe delay (T_{IOWR})	6 ns	8 ns	11 ns
Max. clock to I/O buffer enable delay (T_{BUFEN})	6 ns	8 ns	11 ns
Max. high Z to data valid rel. to clock (T_{DHZV})	10 ns	12 ns	15 ns
Max. data valid to high Z rel. to clock (T_{DVHZ})	10 ns	12 ns	15 ns

The measurements were taken at the 50% points under the same conditions that the I/O read delays were measured.

I/O bus cycles have an automatic wait state and thus require 3 clocks plus any extra wait states specified.

See Table 16-2 for delays at other voltages.

16.3 Further Discussion of Bus and Clock Timing

The clock doubler is normally used, except in situations where low-frequency systems are specifically being used. The clock doubler works by oring the clock with a delayed version of itself. The nominal delay varies from 6 to 20 ns, and is settable under program control. Any asymmetry in the oscillator waveform before it is doubled will result in alternate clocks having slightly different periods. Using the suggested oscillator circuit, the asymmetry is no worse than 52%–48%. This results in a given clock being shortened by the ratio 50/52, or 4%. Memory access time is not affected because memory bus cycle is 2 clocks long and includes both a long and a short clock, resulting in no net change due to asymmetry. However, if an odd number of wait states is used, then the memory access time will be affected slightly.

When the clock spectrum spreader is enabled, clock periods are shortened by a small amount depending on whether the “normal” or the “strong” spreader setting is used, and depending on the operating voltage. If the clock doubler is used, the spectrum spreader affects every other cycle and reduces the clock high time. If the doubler is not used, then the spreader affects every clock cycle, and the clock low time is reduced. Of course, the spectrum spreader also lengthens clock cycles, but only the worst case shortening is relevant for calculating worst case access times. The numbers given for clock shortening with the doubler disabled are the combined shortening for 2 consecutive clock cycles, worst case.

In computing memory requirements, the important considerations are address access time, output enable access time, and minimum write pulse required. Increasing the clock doubler delay increases the output enable time, but decreases memory write pulse width. The early write pulse option can be used to ensure a long-enough write pulse, but then it must be ensured that the write pulse does not begin before the address lines have stabilized.

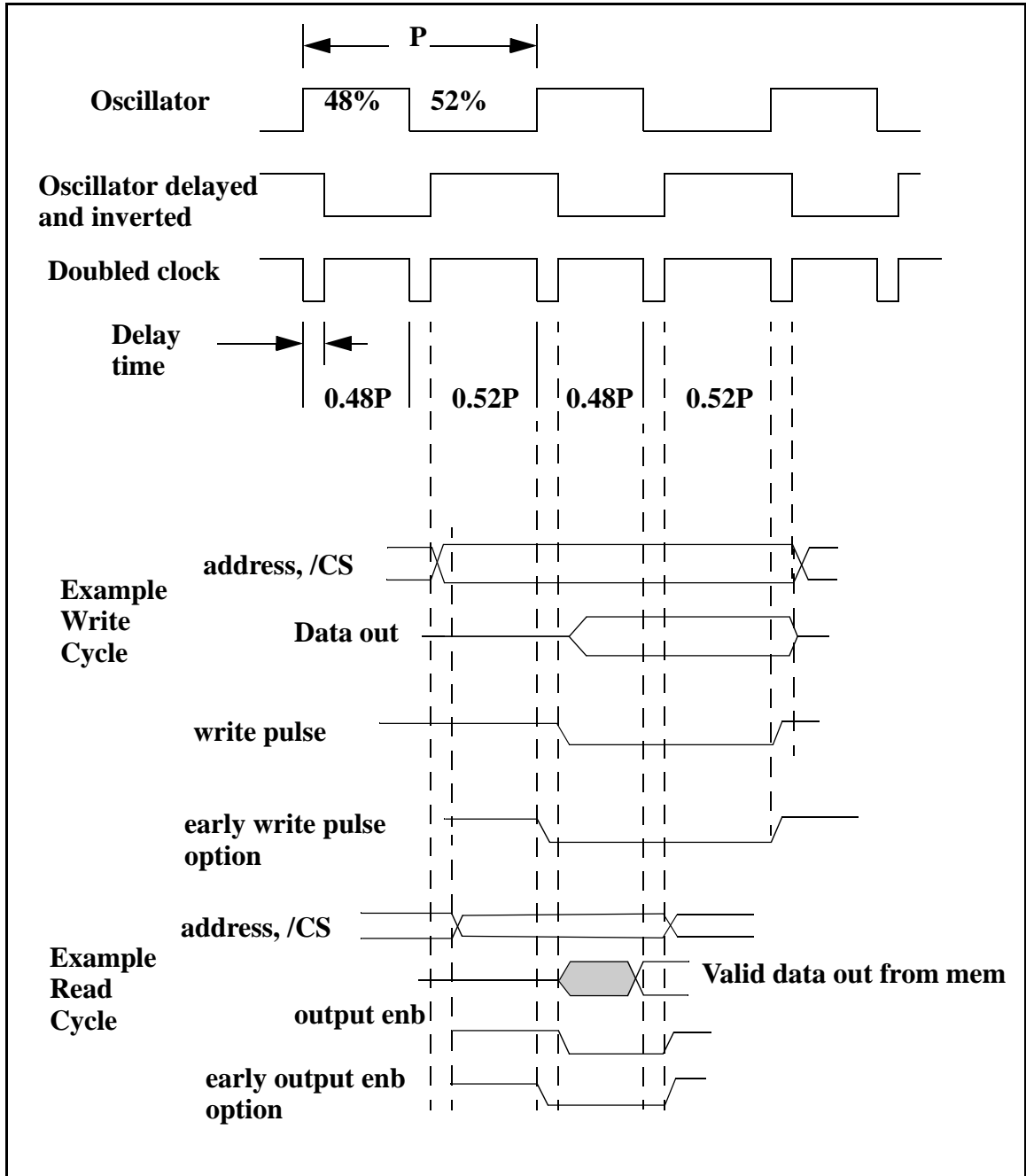


Figure 16-7. Clock Doubler and Memory Timing

16.4 Maximum Clock Speeds

The Rabbit 3000 is rated for a minimum clock period of 17 ns (commercial specifications) and 18 ns (industrial specifications). The commercial rating calls for a $\pm 5\%$ voltage variation from 3.3 V and a temperature range from -40 to $+70^{\circ}\text{C}$. The industrial ratings stretch the voltage variation to $\pm 10\%$ and a temperature range from -40 to $+85^{\circ}\text{C}$. This corresponds to maximum clock frequencies of 58.8 MHz (commercial) and 55.5 MHz (industrial). If the clock doubler or spectrum spreader is used, these maximum ratings must be reduced as shown in the following table. When the doubler is used, the duty cycle of the clock becomes a critical parameter. The duty cycle should be measured at the separate clock output pin (pin 2). The minimum period must be increased by any amount that the clock high time is greater or less than specified in the duty-cycle requirement.

Table 16-7. Maximum Clock Speeds at 3.3 V [Preliminary]

Conditions	Commercial Ratings		Industrial Ratings		Duty Cycle Requirements (ns)
	Minimum Period (ns)	Maximum Frequency (MHz)	Minimum Period (ns)	Maximum Frequency (MHz)	
No doubler or spreader	17	58.8	18	55.5	
Spreader only normal	20	50.0	21	47.6	
Spreader only strong	21	47.6	22	45.4	
Doubler only (8 ns delay)	19	52.6	20	50.0	$1 > (\text{clock low} - \text{clock high}) > 0$
Doubler only (internal 50% clock)	20	50	21	47.6	$1 > (\text{clock low} - \text{clock high}) > -1$
Spreader normal with doubler (8 ns delay)	21	47.6	22	45.4	$4 > (\text{clock low} - \text{clock high}) > 2$
Spreader normal with doubler (8 ns delay), internal 50% clock	24	41.6	25	40.0	$1 > (\text{clock low} - \text{clock high}) > -1$
Spreader only strong	21.5	46.5	22.5	45.0	
Spreader strong with doubler (8 ns delay)	23	43.5	24	41.6	$8 > (\text{clock low} - \text{clock high}) > 6$

Example

The spreader and doubler are enabled, with 8 ns nominal delay in the doubler. The high and low clock are equal to within 1 ns. This violates the duty cycle requirement by 3 ns since (clock low - clock high) can be as small as -1 ns, but the requirement is that it not be less than 2 ns. Thus, 3 ns must be added to the minimum period of 21 ns, giving a minimum period of 24 ns, and a maximum frequency of 41.6 MHz (commercial).

Since the built-in high-speed oscillator buffer generates a clock that is very close to having a 50% duty cycle, to obtain the highest clock speeds using the clock doubler you must use an external oscillator buffer that will allow for duty-cycle adjustment by changing the resistance of the power and ground connections as shown below.

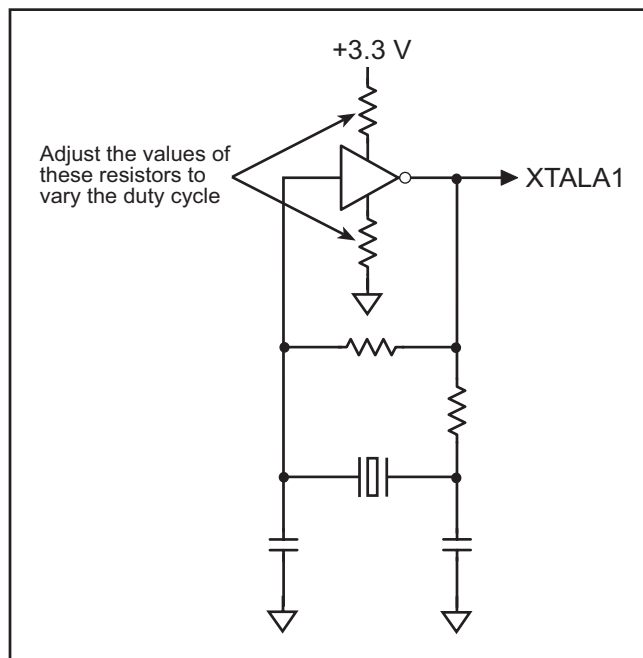


Figure 16-8. External Oscillator Buffer

16.5 Power and Current Consumption

With the Rabbit 3000 it is possible to design systems that perform their task with very low power consumption. Unlike competitive processors, the Rabbit 3000 has short chip select features designed to minimize power consumption by external memories, which can easily become the dominant power consumers at low clock frequencies if not well handled.

The preferred configuration for a Rabbit-based system is to use an external crystal or resonator that has a frequency $\frac{1}{2}$ of the maximum internal clock frequency. The oscillator frequency can be doubled or divided by 2, 4, 6, or 8, giving a variety of operating speeds from the same crystal frequency. In addition, the 32.768 kHz oscillator that drives the battery-backable clock can be used as the main processor clock and, to save the substantial power consumed by the fast oscillator, the fast oscillator can be turned off. This scenario is called the *sleepy mode* with a clock speed in the range of 2 kHz to 32 kHz, and with an operating system current consumption in the range of 10 to 120 μ A depending on frequency and voltage.

Up to an operating speed of 29.5 MHz, a SST39LF512020 256K \times 8, 45 ns access time flash memory combined with any of several 55 ns low-power SRAMs is assumed for calculating the current consumption estimates below.

A crystal frequency of 3.6864 MHz is a good choice for a low-power system consuming between 2 and 18 mA at 3.3 V as the clock frequency is throttled between 0.46 MHz and 7.37 MHz. The required memory access time is about 250 ns, however, a faster memory may result in less power since a short chip select cycle can then be used.

A crystal frequency of 11.0592 MHz is a good choice for a medium-power system consuming between 5 and 50 mA at 3.3 V as the clock frequency is throttled between 1.4 MHz and 22 MHz. The required memory access time is 70 ns.

A crystal frequency of 14.7456 MHz is a good choice for a faster medium-power system consuming between 6 and 65 mA at 3.3 V as the clock frequency is throttled between 1.8 and 29.5 MHz. The required memory access time is 55 ns.

A maximum-speed system that will require fast RAM for program and data can be constructed using a 25.8048 MHz crystal. This system will consume between 12 and 112 mA at 3.3V as the clock speed is throttled between 3 and 51.6 MHz. The required memory access time is about 20 ns.

Typical system current consumptions are shown in the graphs below. These are for the processor and oscillator only, and do not include current consumed by memory and other devices. It is assumed that approximately 30 pF is connected to each address line, particularly A0 and A1, which account for three quarters of the charging current due to the address lines.

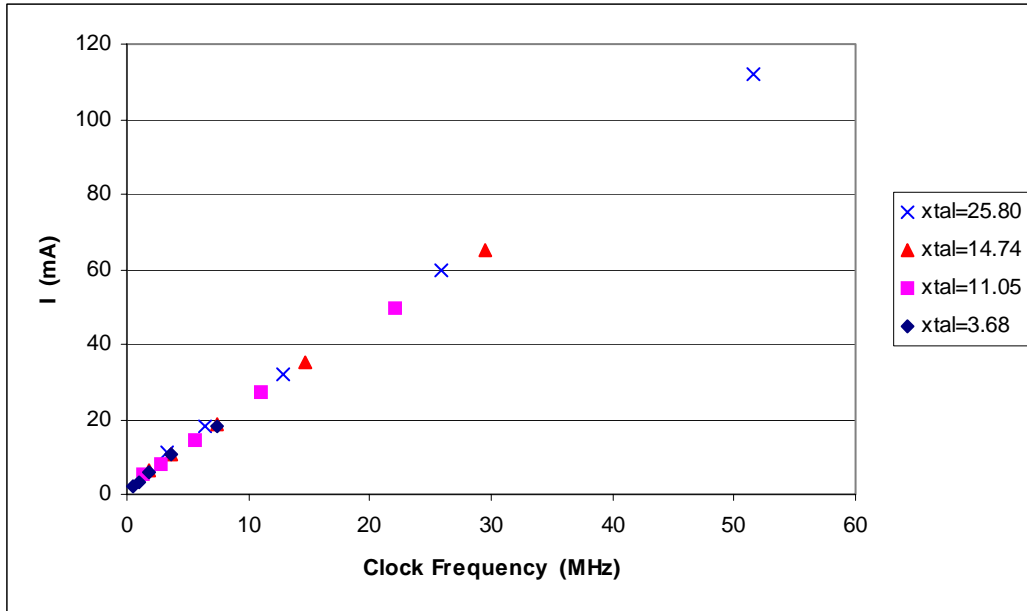


Figure 16-9. Rabbit 3000 System Current vs. Frequency at 3.3 V

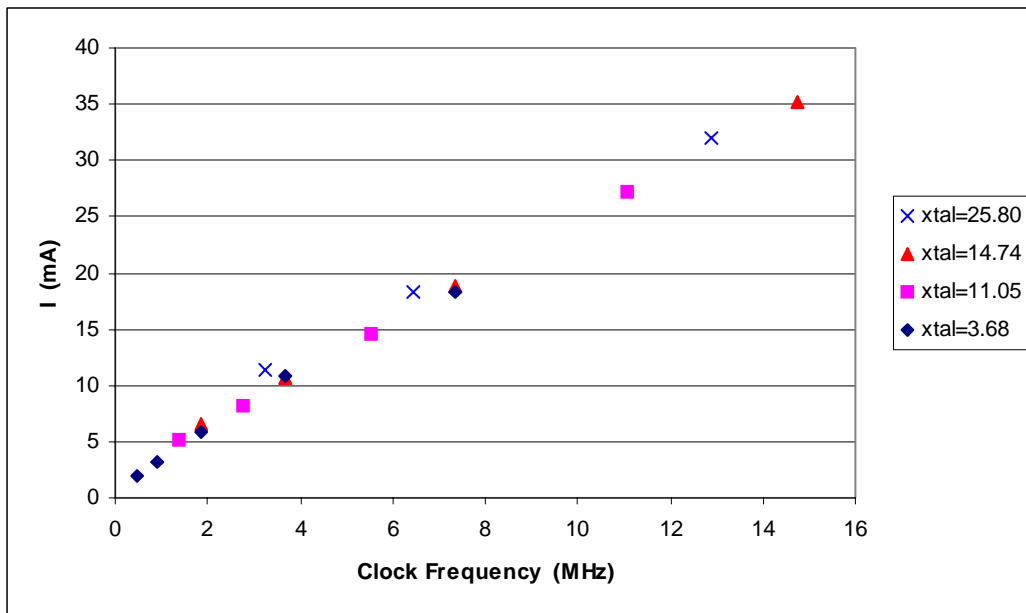


Figure 16-10. Rabbit 3000 System Current vs. Frequency at 3.3 V (enlarged view over 0–16 MHz range)

Lowering the operating voltage will greatly reduce current consumption and power. Dropping to 2.7 V from 3.3 V will result in 70% current consumption and 60% of the power. Further dropping to 1.8 V will reduce current to 40% and power to 20% compared to 3.3 V. Naturally this complicates the selection of memories, especially at 1.8 V.

It is important to know that the lowest speed crystal will not always give the lowest power consumption because when the crystal is divided internally the short chip select option can be used to reduce the chip select duty cycle of the flash memory or fast RAM, greatly reducing the static current consumption associated with some memories.

In sleepy mode, power consumption consists of the processor core, the external recommended external tiny logic 32 kHz oscillator, and the memory. The oscillator consumes 17 μA at 3.3 V, and this drops rapidly to about 2 μA at 1.8 V. The processor core consumes between 3 and 50 μA at 3.3 V as the frequency is throttled from 2 kHz to 32 kHz, and about 40% as much at 1.8 V. If the flash memory specified above is used for memory and a self-timed 106 ns chip select is used, then the memory will consume 22 μA at 32 MHz and 1.4 μA at 2 kHz.

In addition to these items, a low-power reset controller may consume about 8 μA and CMOS leakage may consume several μA , increasing with higher temperatures. The graph below shows current consumption including the tiny logic core, but not including memory or the reset controller.

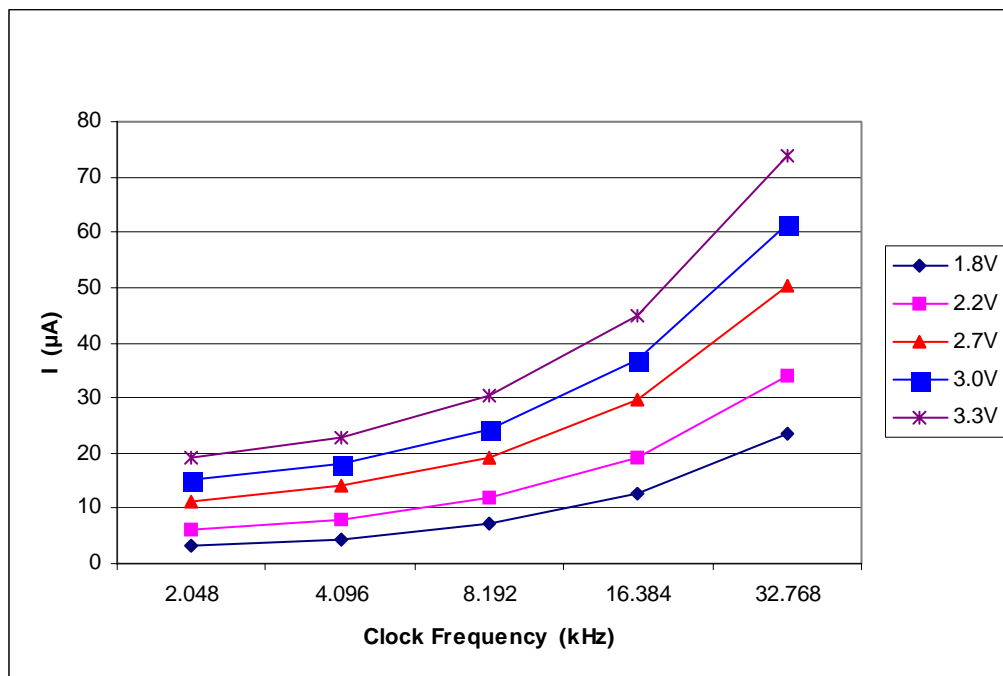


Figure 16-11. Sleepy Mode Current Consumption

16.6 Current Consumption Mechanisms

The following mechanisms contribute to the current consumption of the Rabbit 3000 while it is operating.

1. A current proportional to voltage and clock frequency that results from the charging of internal and external capacitances. At 3.3 V (see (2) below) approximately 57% of the current is due to charging and 43% is due to crossover current.
2. A crossover current that is proportional to clock frequency and to the overdrive voltage $V_c = V \times [(V/2) - 0.7]$, where V is the operating voltage of the Rabbit 3000. The crossover current results from a brief short circuit when both the P and N transistors of a CMOS buffer are turned on at the same time. This component drops as the voltage drops, and becomes negligible at 1.4 V.
3. The current consumed by the built-in main oscillator when turned on. This current is also proportional to V_c , and is equal to 1 mA at 3.3 V.
4. The current drawn by the logic that is driven at the oscillator (crystal frequency). This is considered distinct because it varies with the crystal frequency, but is not reduced when the clock frequency is divided. This current becomes zero when the main oscillator is turned off, and is 2.5 mA at 3.3 V when the crystal frequency is 14.7 MHz. This current is divided between capacitive and crossover components in the same manner as the currents in (1) and (2) above.

All of the above currents can be combined according to the following formula:

$$I_{\text{total}} \text{ (mA)} = 0.32 \times V \times f + 0.23 \times V_c \times f + 0.30 \times V_c + 0.029 \times V \times f_c + 0.025 \times V_c \times f_c$$

where V = the operating voltage of the Rabbit 3000, $V_c = V \times [(V/2) - 0.7]$, f_c = frequency of crystal oscillator in MHz, and f = clock frequency in MHz.

16.7 Sleepy Mode Current Consumption

In sleepy mode the unit operates from the 32.768 kHz clock, which may be divided down to as slow as 2.048 kHz. The current consumption is given by:

$$I_{\text{total}} (\mu\text{A}) = 0.32 \times V \times f + 0.23 \times V_c \times f + 5 \times V_c$$

where f is in kHz, V is the operating voltage, and $V_c = V \times [(V/2) - 0.7]$.

Leakage, the standby current of the reset generator, the current consumption of the oscillator and the real-time clock, and the current consumption of memories must be added to the sleepy mode current consumption. Generally the self-timed chip select mode is used to reduce memory current consumption.

16.8 Memory Current Consumption

Since there are many different memories available, let's look at an example using one of the recommended flash and SRAM memories.

Flash memory—SST part SST39LF512020, 256K × 8, 45 ns access time. Standby current: nil.

- Static Current (chip select low): 3.5 mA @ 3.3 V
- Dynamic Current: 7 mA at 14.7 MHz bus speed and 3.3 V

The total current is 10 mA at a clock speed of 29.49 MHz or a bus speed of 5 MHz.

The static part of the current is computed using

$$3.5 \times (\text{chip select duty cycle}).$$

The dynamic part is computed using

$$0.5 \times f \text{ in mA,}$$

where f is the bus speed in MHz.

At 0.46 MHz (3.68 MHz/8), and using a short chip select, the duty cycle is about 10%, giving a static current of about 0.35 mA. The dynamic current is 0.25 mA, for a total current of 0.6 mA. Added to the approximately 2.5 mA operating current gives a total current of 3.1 mA at 0.46 MHz.

In sleepy mode with a self-timed chip select of 106 ns and a clock speed of 32 kHz, the duty cycle will be $0.106/66 = 1/600$, and the static current will be $3.5/600 = 6 \mu\text{A}$. If the clock is divided down by a factor of 2, then the static current is reduced to $3 \mu\text{A}$. The dynamic current will be $16 \mu\text{A}$ at 32 kHz ($1000 \times 0.5 \times f$) and $8 \mu\text{A}$ at 16 kHz.

16.9 Battery-Backed Clock Current Consumption

When using the suggested tiny logic oscillator, the oscillator and clock consume current as shown in Figure 16-12 below. Normally a resistor is placed in the battery circuit to limit the current to about 3 μA , which results in a voltage setpoint of about 1.7 V. When operating at 3.3 V in sleepy mode, the current of the oscillator and the real-time clock—about 12 μA —must be added.

Using the suggested tiny logic oscillator circuit, the external 32.768 kHz oscillator consumes the following current in μA , where V is the operating voltage.

$$I_{\text{osc}} (\mu\text{A}) = 0.35 \times V^2 + 0.31 \times V$$

Generally the oscillator will not start unless the voltage is about 1.4 V. However, the oscillator will continue to run until the voltage drops to about 0.8 V. If the oscillator stops, the current draw is very much lower than when it is running. Below about 1.4 V most of the current draw is used to charge and discharge the capacitive load.

The current consumed by the battery-backed portion of the Rabbit 3000, which is driven by the 32.768 kHz oscillator, is given by

$$I_{\text{rab}} (\mu\text{A}) = 0.91 \times V^2 - 1.04 \times V \quad (V > 1.14 \text{ V})$$

The current is negligible for $V < 1.14$ V.

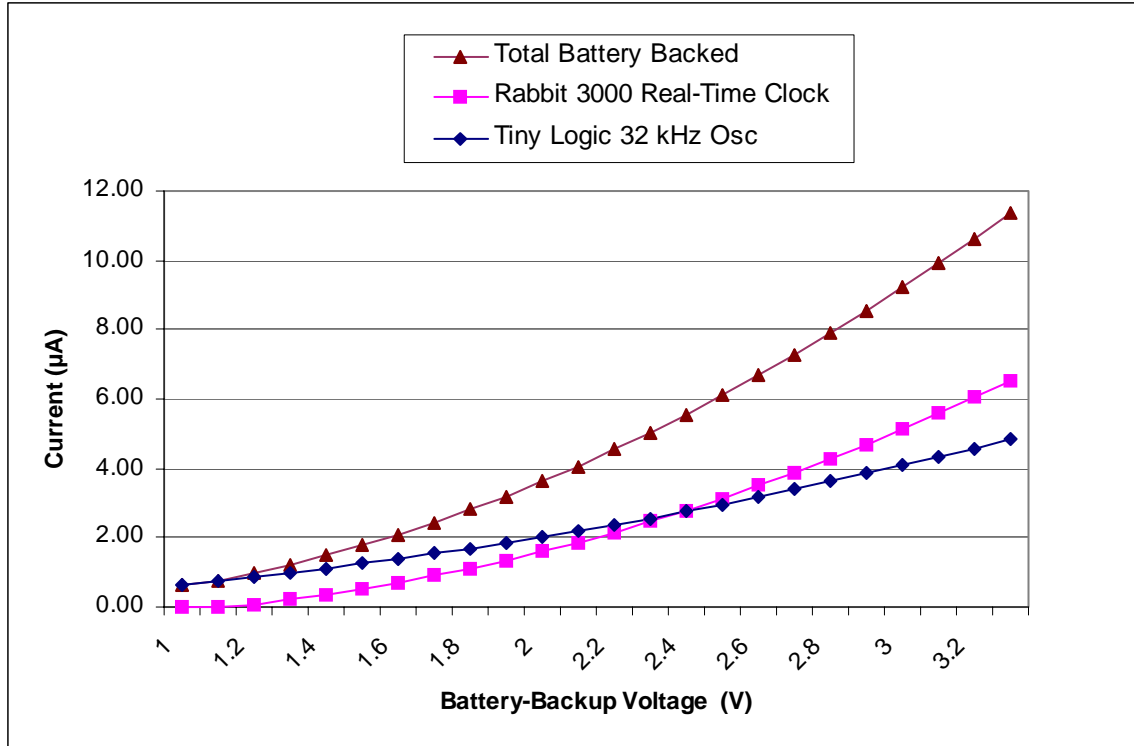


Figure 16-12. Current Consumption—Real-Time Clock and 32 kHz Oscillator Circuit

16.10 Reduced-Power External Main Oscillator

The circuit in Figure 16-13 can be used to generate the main clock using less power than with the built-in oscillator buffer. The power consumption is less because of the current-limiting resistors that cannot be used with the built-in buffer. The 2.2 k Ω series resistor must be reduced as the clock frequency increases, as must be the current-limiting resistors.

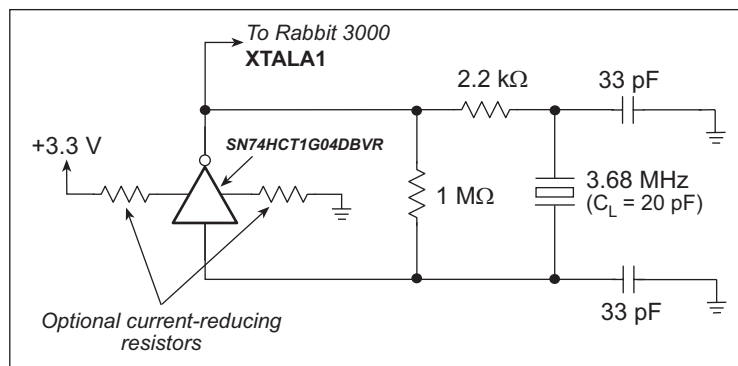


Figure 16-13. Reduced-Power External Main Oscillator

Table 16-8 lists results for the reduced-power external oscillator with no current-limiting resistors.

Table 16-8. Current Draw Using Reduced-Power External Oscillator (0 Ω current-limiting resistors)

Voltage (V)	Current (incl built-in buffer) (mA)
3.3	0.635
2.5	0.380
1.8	0.252

Design Recommendations

- Add current-limiting resistors to reduce current without inhibiting oscillator start-up
- Increase the 1 M Ω resistor to improve gain
- Minimize loop area to reduce EMI

17. RABBIT BIOS AND VIRTUAL DRIVER

When a program is compiled by Dynamic C for a Rabbit target, the Virtual Driver is automatically incorporated into the program. Virtual Driver is the name given to some initialization routines and a group of services performed by the periodic interrupt. The Rabbit BIOS, software that handles startup, shutdown and various basic features of the Rabbit, is compiled to the target along with the application program.

Z-World provides the full source code for the BIOS and Virtual Driver so the user can modify them and examine details of the operation that are not apparent from the documentation.

More details on the BIOS and Virtual Driver software can be found in the *Dynamic C User's Manual*, the *Rabbit 3000 Designer's Handbook*, and the source code in the Dynamic C libraries.

17.1 The BIOS

The BIOS provided with Dynamic C will work with all Z-World and Rabbit Semiconductor Rabbit board products.

The BIOS is compiled separately from the user's application. It occupies space at the bottom of the root code segment. When execution of the user's program starts at address zero on power-up or reset, it starts in the BIOS. When Dynamic C cold-boots the target and downloads the binary image of the BIOS, the BIOS symbol table is retained to make its entry points and global data available to the user application. Board specific drivers are compiled with the user's program after the BIOS is compiled.

17.1.1 BIOS Services

The BIOS includes support for the following services.

- System startup: including setup of memory, wait states and clock speed.
- Writing to flash. Writes to the primary code memory require turning off interrupts for up to 20 ms or so. To protect the System Identification Block (see the *Rabbit 3000 Designer's Handbook* for more information on the System ID Block), the flash driver will not write to that block. A routine that can actually write this block is not included in the BIOS to make it hard to accidentally corrupt this block.
- Run-time exception handling and logging to handle fatal errors and watchdog time-outs (error logging not implemented in older versions).
- Debugging and PC-target communication

17.1.2 BIOS Assumptions

The BIOS makes certain assumptions concerning the physical configuration of the processor. Processors are expected to have RAM connected to /CS1, /WE1, and /OE1. Flash is expected to be connected to /CS0, /WE0, and /OE0. (See the *Rabbit 3000 Designer's Handbook* Memory Planning chapter if you want to design a board with RAM only.) The crystal frequency is expected to be $n \times 1.8432$ MHz.

The *Rabbit 3000 Designer's Handbook* has a chapter on the Rabbit BIOS with more details.

17.2 Virtual Driver

The Virtual Driver is compiled with the user's application. It includes support for the following services.

- Hitting the hardware watchdog timer.
- Decrementing software watchdog timers.
- Synchronizing the system timer variables with the real-time clock and keeping them updated.
- Driving uC/OS-II multi-tasking.
- Driving slice statement multi-tasking.

17.2.1 Periodic Interrupt

The periodic interrupt that drives the Virtual Driver occurs every 16 clocks or every 488 μ s. If the 32.768 kHz oscillator is absent, it is possible to substitute a different periodic interrupt. This alternative is not supported by Z-World since the cost of connecting a crystal is very small. The periodic interrupt keeps the interrupts turned off (that is, the processor priority is raised to 1 from zero) for about 75 clocks, so it contributes little to interrupt latency.

The periodic interrupt is turned on by default before `main()` is called. It can be disabled if needed. The *Dynamic C Users's Manual* chapter on the Virtual Driver provides more details on the periodic interrupt.

The Rabbit 3000 microprocessor requires the 32 kHz oscillator in order to boot via Dynamic C, unless a custom loader and BIOS are used.

17.2.2 Watchdog Timer Support

A microprocessor system can crash for a variety of reasons. A software bug or an electrical upset are common reasons. When the system crashes the program will typically settle into an endless loop because parameters that govern looping behavior have been corrupted. Typically, the stack becomes corrupted and returns are made to random addresses.

The usual corrective action taken in response to a crash is to reset the microprocessor and reboot the system. The crash can be detected either because an anomaly is detected by pro-

gram consistency checking or because a part of the program that should be executing periodically is not executing and the watchdog times out.

The Virtual Driver's periodic interrupt hits the hardware watchdog timer with a 2 second time-out. If the periodic interrupt stops working, then the watchdog will time out after 2 seconds. The Virtual Driver provides a number of additional "virtual" watchdog timers for use in other parts of the code that must be entered periodically. The user program must hit each virtual watchdog periodically.

The best practice is to let the periodic interrupt hit the hardware watchdog exclusively, and use virtual watchdogs for other code that must be run periodically. If hits to the hardware watchdog are scattered through a program, then it may be possible for the code to enter an endless loop where the watchdog is hit, and therefore rendered useless for detecting the endless loop condition. If no virtual watchdogs are used, an undetected endless loop condition could still occur since the periodic interrupt can still hit the hardware watchdog.

If any of the virtual watchdogs times out, then hits are withheld from the hardware watchdog and it times out, resulting in a hardware reset. Virtual watchdogs may be allocated, deallocated, enabled and disabled. The advantage of the virtual watchdogs is that if any of them fail an error is detected.

The *Dynamic C Users's Manual* chapter on the Virtual Driver provides more details on virtual watchdogs.

18. OTHER RABBIT SOFTWARE

18.1 Power Management Support

The power consumption and speed of operation can be throttled up and down with rough synchronism. This is done by changing the clock speed or the clock doubler. The range of control is quite wide: the speed can vary by a factor of 16 when the main clock is driving the processor. In addition, the main clock can be switched to the 32.768 kHz clock. In this case, the slowdown is very dramatic, a factor of perhaps 500. In this ultra slow mode, each clock takes about 30 μ s, and a typical instruction takes 150 μ s to execute. At this speed, the periodic interrupt cannot operate because the interrupt routine would execute too slowly to keep up with an interrupt every 16 clocks. Only about 3 instructions could be executed between ticks.

A different set of rules applies in the ultra slow or “sleepy” mode. The Rabbit 3000 automatically disables periodic interrupts when the clock mode is switched to 32 kHz or one of the multiples of 32 kHz. This means that the periodic-interrupt hardware does not function when running at any of these 32 kHz clock speeds simply because there are not enough clock cycles available to service the interrupt. Hence virtual watchdogs (which depend on the periodic interrupt) *cannot* be used in the sleepy mode. The user must set up an endless loop to determine when to exit sleepy mode. A routine, `updateTimers()`, is provided to update the system timer variables by directly reading the real-time clock and to hit the watchdog while in sleepy mode. If the user’s routine cannot get around the loop in the maximum watchdog timer time-out time, the user should put several calls to `updateTimers()` in the loop. The user should avoid indiscriminate direct access to the watchdog timer and real-time clock. The least significant bits of the real-time clock cannot be read in ultra slow mode because they count fast compared to the instruction execution time. To reduce bus activity and thus power consumption, it is useful to multiply zero by zero. This requires 12 clocks for one memory cycle and reduces power consumption. Typically a number of `mul` instructions can be executed between each test of the condition being waited for.

Dynamic C libraries also provide functions to change clock speeds to enter and exit sleepy mode. See the *Rabbit 3000 Designer’s Handbook* chapter *Low Power Design and Support* for more details.

18.2 Reading and Writing I/O Registers

The Rabbit has two I/O spaces: internal I/O registers and external I/O registers.

18.2.1 Using Assembly Language

The fastest way to read and write I/O registers in Dynamic C is to use a short segment of assembly language inserted in the C program. Access is the same as for accessing data memory except that the instruction is preceded by a prefix (**IOI** or **IOE**) to indicate the internal or external I/O space. For example:

```
// compute value and write to Port A Data Register
value=x+y

#asm
ld a,(value)      ; value to write
ioi ld (PADR),a   ; write value to PADR
#endasm
```

In the example above the **IOI** prefix changes a store to memory to a store to an internal I/O port. The prefix **ioe** is used for writes to external I/O ports.

18.2.2 Using Library Functions

Dynamic C functions are available to read and write I/O registers. These functions are provided for convenience. For speed, assembly code is recommended. For a complete description of the functions noted in this section, refer to the *Dynamic C User's Manual* or from the **Help** menu in Dynamic C, access the **HTML Function Reference** or **Function Lookup** options.

To read internal I/O registers, there are two functions.

```
int RdPortI(int PORT)                ; // returns PORT, high byte zero
int BitRdPortI(int PORT, int bitcode); // bit code 0-7
```

To write internal I/O registers, there are two functions.

```
void WrPortI(int PORT, char *PORTShadow, int value);
void BitWrPortI(int PORT, char *PORTShadow, int value, int bitcode);
```

The external registers are also accessible with Dynamic C functions.

```
int RdPortE(int PORT)                ; // returns PORT, high byte zero
int BitRdPortE(int PORT, int bitcode); // bit code 0-7
int WrPortE(int PORT, char *PORTShadow, int value);
int BitWrPortE(int PORT, char *PORTShadow, int value, int bitcode);
```

In order to read a port the following code could be used:

```
k=RdPortI(PADR); // returns Port A Data Register
```

18.3 Shadow Registers

Many of the registers of the Rabbit's internal I/O devices are write-only. This saves gates on the chip, making possible greater capability at lower cost. Write-only registers are easier to use if a memory location, called a shadow register, is associated with each write-only register. To make shadow register names easy to remember, the word shadow is appended to the register name. For example the register GOOCR (Global Output Control register) has the shadow **GOOCRShadow**. Some shadow registers are defined in the BIOS source code as shown below.

```
char GCSRShadow; // Global Control Status Register
char GOOCRShadow; // Global Output Control Register
char GCDRShadow; // Global Clock Doubler Register
```

If the port is a write-only port, the shadow register can be used to find out the port's contents. For example GCSR has a number of write-only bits. These can be read by consulting the shadow, provided that the shadow register is always updated when writing to the register.

```
k=GCSRShadow;
```

18.3.1 Updating Shadow Registers

If the address of a shadow register is passed as an argument to one of the functions that write to the internal or external I/O registers, then the shadow register will be updated as well as the specified I/O register.

A **NULL** pointer may replace the pointer to a shadow register as an argument to **WrPortI()** and **WrPortE()**; the shadow register associated with the port will not be updated. A pointer to the shadow register is mandatory for **BitWrPortI()** and **BitWrPortE()**.

18.3.2 Interrupt While Updating Registers

When manipulating I/O registers and shadow registers, the programmer must keep in mind that an interrupt can take place in the middle of the sequence of operations, and then the interrupt routine may manipulate the same registers. If this possibility exists, then a solution must be crafted for the particular situation. Usually it is not necessary to disable the interrupts while manipulating registers and their associated shadow registers.

18.3.2.1 Atomic Instruction

As an example, consider the Parallel Port D data direction register (PDDDR). This register is write only, and it contains 8 bits corresponding to the 8 I/O pins of Parallel Port D. If a bit in this register is a "1," the corresponding port pin is an output, otherwise it is an input. It is easy to imagine a situation where different parts of the application, such as an interrupt routine and a background routine, need to be in charge of different bits in the PDDDR register. The following code sets a bit in the shadow and then sets the I/O register. If an interrupt takes place between the **set** and the **LDD**, and changes the shadow register and PDDDR, the correct value will still be set in PDDDR.

```

ld hl,PDDDRShadow    ; point to shadow register
ld de,PDDDR          ; set de to point to I/O reg
set 5,(hl)           ; set bit 5 of shadow register
; use ldd instruction for atomic transfer
ioi ldd              ; (io de)<-(hl)  side effect: hl--, de--

```

In this case, the `ldd` instruction when used with an I/O prefix provides a convenient data move from a memory location to an I/O location. Importantly, the `ldd` instruction is an atomic operation so there is no danger that an interrupt routine could change the shadow register during the move to the PDDDR register.

18.3.2.2 Non-atomic Instructions

If the following two instructions were used instead of the `ldd` instruction,

```

ld a,(hl)
ld (PDDDR),a ; output to PDDDR

```

then an interrupt could take place after the first instruction, change the shadow register and the PDDDR register, and then after a return from the interrupt, the second instruction would execute and store an obsolete copy of the shadow register in the PDDDR, setting it to a wrong value.

18.3.3 Write-only Registers Without Shadow Registers

Shadow register are not needed for many of the registers that can be written to. In some cases, writing to registers is used as a handy way of changing a peripheral's state, and the data bits written are ignored. For example, a write to the status register in the Rabbit serial ports is used to clear the transmitter interrupt request, but the data bits are ignored, and the status register is actually a read-only register except for the special functionality attached to the act of writing the register. An illustration of a write-only register for which a shadow is unnecessary is the transmitter data register in the Rabbit serial port. The transmitter data register is a write-only register, but there is little reason to have a shadow register since any data bits stored are transmitted promptly on the serial port.

18.4 Timer and Clock Usage

The battery-backable real-time clock is a 48 bit counter that counts at 32768 counts per second. The counting frequency comes from the 32.768 kHz oscillator which is separate from the main oscillator. Two other important devices are also powered from the 32.768 kHz oscillator: the periodic interrupt and the watchdog timer. It is assumed that all measurements of time will derive from the real-time clock and not the main processor clock which operates at a much higher frequency (e.g. 22.1184 MHz). This allows the main processor oscillator to use less expensive ceramic resonators rather than quartz crystals. Ceramic resonators typically have an error of 5 parts in 1000, while crystals are much more accurate, to a few seconds per day.

Two library functions are provided to read and write the real-time clock:

```
unsigned long int read_rtc(void)          ; // read bits 15-46 rtc
void write_rtc(unsigned long int time) ; // write bits 15-46
// note: bits 0-14 and bit 47 are zeroed
```

However, it is not intended that the real-time clock be read and written frequently. The procedure to read it is lengthy and has an uncertain execution time. The procedure for writing the clock is even more complicated. Instead, Dynamic C software maintains a long variable **SEC_TIMER** in memory. **SEC_TIMER** is synchronized with the real-time clock when the Virtual Driver starts, and updated every second by the periodic interrupt. It may be read or written directly by the user's programs. Since **SEC_TIMER** is driven by the same oscillator as the real-time clock there is no relative gain or loss of time between the two. A millisecond timer variable, **MS_TIMER**, is also maintained by the Virtual Driver.

Two utility routines are provided that can be used to convert times between the traditional format (10-Jan-2000 17:34:12) and the seconds since 1-Jan-1980 format.

```
// converts time structure to seconds
unsigned long mktime(struct tm *timeptr);

// seconds to structure
unsigned int mktm(struct tm *timeptr, unsigned long time);
```

The format of the structure used is the following

```
struct tm {
char tm_sec;           // seconds 0-59
char tm_min;           // 0-59
char tm_hour;          // 0-59
char tm_mday;          // 1-31
char tm_mon;           // 1-12
char tm_year;          // 00-150 (1900-2050)
char tm_wday;          // 0-6 0==sunday
};
```

The day of the week is not used to compute the long seconds, but it is generated when computing from long seconds to the structure. A utility program, **setclock.c**, is available to set the date and time in the real-time clock from the Dynamic C **STDIO** console.

19. RABBIT INSTRUCTIONS

Summary

- “Load Immediate Data” on page 250
- “Load & Store to Immediate Address” on page 250
- “8-bit Indexed Load and Store” on page 250
- “16-bit Indexed Loads and Stores” on page 250
- “16-bit Load and Store 20-bit Address” on page 251
- “Register to Register Moves” on page 251
- “Exchange Instructions” on page 252
- “Stack Manipulation Instructions” on page 252
- “16-bit Arithmetic and Logical Ops” on page 252
- “8-bit Arithmetic and Logical Ops” on page 253
- “8-bit Bit Set, Reset and Test” on page 254
- “8-bit Increment and Decrement” on page 254
- “8-bit Fast A Register Operations” on page 255
- “8-bit Shifts and Rotates” on page 255
- “Instruction Prefixes” on page 256
- “Block Move Instructions” on page 256
- “Control Instructions - Jumps and Calls” on page 257
- “Miscellaneous Instructions” on page 257
- “Privileged Instructions” on page 258
- “Instructions in Alphabetical Order With Binary Encoding” on page 261

Spreadsheet Conventions

ALTD (“A” Column) Symbol Key

Flag	Description
f	ALTD selects alternate flags
fr	ALTD selects alternate flags and register
r	ALTD selects alternate register
s	ALTD operation is a special case

IOI and IOE (“I” Column) Symbol Key

Flag	Description
b	IOI and IOE affect source and destination
d	IOI and IOE affect destination
s	IOI and IOE affect source

Flag Register Key

S	Z	L/V*	C	Description
*				Sign flag affected
-				Sign flag not affected
	*			Zero flag affected
	-			Zero flag not affected
		L		LV flag contains logical check result
		V		LV flag contains arithmetic overflow result
		0		LV flag is cleared
		*		LV flag is affected
			*	Carry flag is affected
			-	Carry flag is not affected
			0	Carry flag is cleared
			1	Carry flag is set

* The L/V (logical/overflow) flag serves a dual purpose—L/V is set to 1 for logical operations if any of the four most significant bits of the result are 1, and L/V is reset to 0 if all four of the most significant bits of the result are 0.

Symbols

Rabbit	Z180	Meaning
b	b	Bit select: 000 = bit 0, 001 = bit 1, 010 = bit 2, 011 = bit 3, 100 = bit 4, 101 = bit 5, 110 = bit 6, 111 = bit 7
cc	cc	Condition code select: 00 = NZ, 01 = Z, 10 = NC, 11 = C
d	d	7-bit (signed) displacement. Expressed in two's complement.
dd	ww	Word register select destination: 00 = BC, 01 = DE, 10 = HL, 11 = SP
dd'		Word register select alternate: 00 = BC', 01 = DE', 10 = HL'
e	j	8-bit (signed) displacement added to PC.
f	f	Condition code select: 000 = NZ (non zero), 001 = Z (zero), 010 = NC (non carry), 011 = C (carry), 100 = LZ* (logical zero), 101 = LO† (logical one), 110 = P (sign plus), 111 = M (sign minus)
m	m	MSB of a 16-bit constant.
mn	mn	16-bit constant.
n	n	8-bit constant or LSB of a 16-bit constant.
r, g	g, g'	Byte register select: 000 = B, 001 = C, 010 = D, 011 = E, 100 = H, 101 = L, 111 = A
ss	ww	Word register select (source): 00 = BC, 01 = DE, 10 = HL, 11 = SP
v	v	Restart address select: 010 = 0x0020, 011 = 0x0030, 100 = 0x0040, 101 = 0x0050, 111 = 0x0070
xx	xx	Word register select: 00 = BC, 01 = DE, 10 = IX, 11 = SP
yy	yy	Word register select: 00 = BC, 01 = DE, 10 = IY, 11 = SP
zz	zz	Word register select: 00 = BC, 01 = DE, 10 = HL, 11 = AF

* Logical zero if all four of the most significant bits of the result are 0.

† Logical one if any of the four most significant bits of the result are 1.

19.1 Load Immediate Data

Instruction	clk	A	I	S	Z	V	C	Operation
LD IX,mn	8		-	-	-	-		IX = mn
LD IY,mn	8		-	-	-	-		IY = mn
LD dd,mn	6	r	-	-	-	-		dd = mn
LD r,n	4	r	-	-	-	-		r = n

19.2 Load & Store to Immediate Address

Instruction	clk	A	I	S	Z	V	C	Operation
LD (mn),A	10		d	-	-	-	-	(mn) = A
LD A,(mn)	9	r	s	-	-	-	-	A = (mn)
LD (mn),HL	13		d	-	-	-	-	(mn) = L; (mn+1) = H
LD (mn),IX	15		d	-	-	-	-	(mn) = IXL; (mn+1) = IXH
LD (mn),IY	15		d	-	-	-	-	(mn) = IYL; (mn+1) = IYH
LD (mn),ss	15		d	-	-	-	-	(mn) = ssl; (mn+1) = ssh
LD HL,(mn)	11	r	s	-	-	-	-	L = (mn); H = (mn+1)
LD IX,(mn)	13		s	-	-	-	-	IXL = (mn); IXH = (mn+1)
LD IY,(mn)	13		s	-	-	-	-	IYL = (mn); IYH = (mn+1)
LD dd,(mn)	13	r	s	-	-	-	-	ddl = (mn); ddh = (mn+1)

19.3 8-bit Indexed Load and Store

Instruction	clk	A	I	S	Z	V	C	Operation
LD A,(BC)	6	r	s	-	-	-	-	A = (BC)
LD A,(DE)	6	r	s	-	-	-	-	A = (DE)
LD (BC),A	7		d	-	-	-	-	(BC) = A
LD (DE),A	7		d	-	-	-	-	(DE) = A
LD (HL),n	7		d	-	-	-	-	(HL) = n
LD (HL),r	6		d	-	-	-	-	(HL) = r = B, C, D, E, H, L, A
LD r,(HL)	5	r	s	-	-	-	-	r = (HL)
LD (IX+d),n	11		d	-	-	-	-	(IX+d) = n
LD (IX+d),r	10		d	-	-	-	-	(IX+d) = r
LD r,(IX+d)	9	r	s	-	-	-	-	r = (IX+d)
LD (IY+d),n	11		d	-	-	-	-	(IY+d) = n
LD (IY+d),r	10		d	-	-	-	-	(IY+d) = r
LD r,(IY+d)	9	r	s	-	-	-	-	r = (IY+d)

19.4 16-bit Indexed Loads and Stores

Instruction	clk	A	I	S	Z	V	C	Operation
LD (HL+d),HL	13		d	-	-	-	-	(HL+d) = L; (HL+d+1) = H
LD HL,(HL+d)	11	r	s	-	-	-	-	L = (HL+d); H = (HL+d+1)
LD (SP+n),HL	11		-	-	-	-	-	(SP+n) = L; (SP+n+1) = H
LD (SP+n),IX	13		-	-	-	-	-	(SP+n) = IXL; (SP+n+1) = IXH
LD (SP+n),IY	13		-	-	-	-	-	(SP+n) = IYL; (SP+n+1) = IYH
LD HL,(SP+n)	9	r	-	-	-	-	-	L = (SP+n); H = (SP+n+1)
LD IX,(SP+n)	11		-	-	-	-	-	IXL = (SP+n); IXH = (SP+n+1)
LD IY,(SP+n)	11		-	-	-	-	-	IYL = (SP+n); IYH = (SP+n+1)
LD (IX+d),HL	11		d	-	-	-	-	(IX+d) = L; (IX+d+1) = H
LD HL,(IX+d)	9	r	s	-	-	-	-	L = (IX+d); H = (IX+d+1)
LD (IY+d),HL	13		d	-	-	-	-	(IY+d) = L; (IY+d+1) = H
LD HL,(IY+d)	11	r	s	-	-	-	-	L = (IY+d); H = (IY+d+1)

19.5 16-bit Load and Store 20-bit Address

Instruction	clk	A	I	S	Z	V	C	Operation
LDP (HL),HL	12		-	-	-	-		(HL) = L; (HL+1) = H. (Adr[19:16] = A[3:0])
LDP (IX),HL	12		-	-	-	-		(IX) = L; (IX+1) = H. (Adr[19:16] = A[3:0])
LDP (IY),HL	12		-	-	-	-		(IY) = L; (IY+1) = H. (Adr[19:16] = A[3:0])
LDP HL,(HL)	10		-	-	-	-		L = (HL); H = (HL+1). (Adr[19:16] = A[3:0])
LDP HL,(IX)	10		-	-	-	-		L = (IX); H = (IX+1). (Adr[19:16] = A[3:0])
LDP HL,(IY)	10		-	-	-	-		L = (IY); H = (IY+1). (Adr[19:16] = A[3:0])
LDP (mn),HL	15		-	-	-	-		(mn) = L; (mn+1) = H. (Adr[19:16] = A[3:0])
LDP (mn),IX	15		-	-	-	-		(mn) = IXL; (mn+1) = IXH. (Adr[19:16] = A[3:0])
LDP (mn),IY	15		-	-	-	-		(mn) = IYL; (mn+1) = IYH. (Adr[19:16] = A[3:0])
LDP HL,(mn)	13		-	-	-	-		L = (mn); H = (mn+1). (Adr[19:16] = A[3:0])
LDP IX,(mn)	13		-	-	-	-		IXL = (mn); IXH = (mn+1). (Adr[19:16] = A[3:0])
LDP IY,(mn)	13		-	-	-	-		IYL = (mn); IYH = (mn+1). (Adr[19:16] = A[3:0])

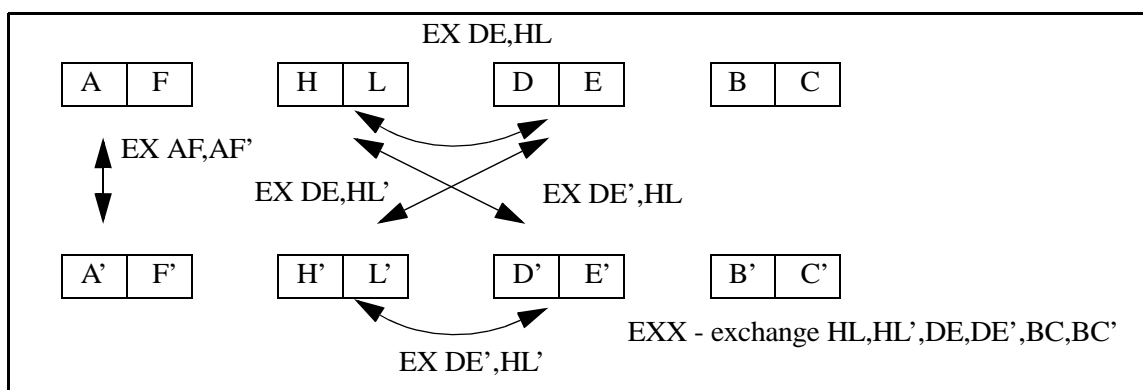
Note that the LDP instructions wrap around on a 64K page boundary. Since the LDP instruction operates on two-byte values, the second byte will wrap around and be written at the start of the page if you try to read or write across a page boundary. Thus, if you fetch or store at address 0xn,0xFFFF, you will get the bytes located at 0xn,0xFFFF and 0xn,0x0000 instead of 0xn,0xFFFF and 0x(n+1),0x0000 as you might expect. Therefore, do *not* use LDP at any physical address ending in 0xFFFF.

19.6 Register to Register Moves

Instruction	clk	A	I	S	Z	V	C	Operation
LD r,g	2	r	-	-	-	-		r = g, r, g any of B, C, D, E, H, L, A
LD A,EIR	4	fr	*	*	-	-		A = EIR
LD A,IIR	4	fr	*	*	-	-		A = IIR
LD A,XPC	4	r	-	-	-	-		A = MMU
LD EIR,A	4		-	-	-	-		EIR = A
LD IIR,A	4		-	-	-	-		IIR = A
LD XPC,A	4		-	-	-	-		XPC = A
LD HL,IX	4	r	-	-	-	-		HL = IX
LD HL,IY	4	r	-	-	-	-		HL = IY
LD IX,HL	4		-	-	-	-		IX = HL
LD IY,HL	4		-	-	-	-		IY = HL
LD SP,HL	2		-	-	-	-		SP = HL
LD SP,IX	4		-	-	-	-		SP = IX
LD SP,IY	4		-	-	-	-		SP = IY
LD dd',BC	4		-	-	-	-		dd' = BC (dd': 00-BC', 01-DE', 10-HL')
LD dd',DE	4		-	-	-	-		dd' = DE (dd': 00-BC', 01-DE', 10-HL')

19.7 Exchange Instructions

Instruction	clk	A	I	S	Z	V	C	Operation
EX (SP),HL	15	r	-	-	-	-	-	H <-> (SP+1); L <-> (SP)
EX (SP),IX	15		-	-	-	-	-	IXH <-> (SP+1); IXL <-> (SP)
EX (SP),IY	15		-	-	-	-	-	IYH <-> (SP+1); IYL <-> (SP)
EX AF,AF'	2		-	-	-	-	-	AF <-> AF'
EX DE',HL	2	s	-	-	-	-	-	if (!ALTD) then DE' <-> HL else DE' <-> HL'
EX DE',HL'	4	s	-	-	-	-	-	DE' <-> HL'
EX DE,HL	2	s	-	-	-	-	-	if (!ALTD) then DE <-> HL else DE <-> HL'
EX DE,HL'	4	s	-	-	-	-	-	DE <-> HL'
EXX	2		-	-	-	-	-	BC <-> BC'; DE <-> DE'; HL <-> HL'



19.8 Stack Manipulation Instructions

Instruction	clk	A	I	S	Z	V	C	Operation
ADD SP,d	4	f	-	-	-	*		SP = SP + d -- d=0 to 255
POP IP	7		-	-	-	-		IP = (SP); SP = SP+1
POP IX	9		-	-	-	-		IXL = (SP); IXH = (SP+1); SP = SP+2
POP IY	9		-	-	-	-		IYL = (SP); IYH = (SP+1); SP = SP+2
POP zz	7	r	-	-	-	-		zzl = (SP); zzh = (SP+1); SP=SP+2 -- zz= BC,DE,HL,AF
PUSH IP	9		-	-	-	-		(SP-1) = IP; SP = SP-1
PUSH IX	12		-	-	-	-		(SP-1) = IXH; (SP-2) = IXL; SP = SP-2
PUSH IY	12		-	-	-	-		(SP-1) = IYH; (SP-2) = IYL; SP = SP-2
PUSH zz	10		-	-	-	-		(SP-1) = zzh; (SP-2) = zzl; SP=SP-2 --zz= BC,DE,HL,AF

19.9 16-bit Arithmetic and Logical Ops

Instruction	clk	A	I	S	Z	V	C	Operation
ADC HL,ss	4	fr	*	*	V	*		HL = HL + ss + CF -- ss=BC, DE, HL, SP
ADD HL,ss	2	fr	-	-	-	*		HL = HL + ss
ADD IX,xx	4	f	-	-	-	*		IX = IX + xx -- xx=BC, DE, IX, SP

```

ADD IY,yy      4    f    - - - *  IY = IY + yy  -- yy=BC,
                DE, IY, SP
ADD SP,d       4    f    - - - *  SP = SP + d  -- d=0 to 255
AND HL,DE      2    fr   * * L 0  HL = HL & DE
AND IX,DE      4    f    * * L 0  IX = IX & DE
AND IY,DE      4    f    * * L 0  IY = IY & DE
BOOL HL        2    fr   * * 0 0  if (HL != 0) HL = 1,
                set flags to match HL
BOOL IX        4    f    * * 0 0  if (IX != 0) IX = 1
BOOL IY        4    f    * * 0 0  if (IY != 0) IY = 1
DEC IX         4    - - - -  IX = IX - 1
DEC IY         4    - - - -  IY = IY - 1
DEC ss         2    r    - - - -  ss = ss - 1  -- ss= BC,
                DE, HL, SP
INC IX         4    - - - -  IX = IX + 1
INC IY         4    - - - -  IY = IY + 1
INC ss         2    r    - - - -  ss = ss + 1  -- ss= BC,
                DE, HL, SP
MUL            12   - - - -  HL:BC = BC * DE, signed
                32 bit result. DE unchanged
OR HL,DE       2    fr   * * L 0  HL = HL | DE  -- bitwise or
OR IX,DE       4    f    * * L 0  IX = IX | DE
OR IY,DE       4    f    * * L 0  IY = IY | DE
RL DE          2    fr   * * L *  {CY,DE} = {DE,CY}  --
                left shift with CF
RR DE          2    fr   * * L *  {DE,CY} = {CY,DE}
RR HL          2    fr   * * L *  {HL,CY} = {CY,HL}
RR IX          4    f    * * L *  {IX,CY} = {CY,IX}
RR IY          4    f    * * L *  {IY,CY} = {CY,IY}
SBC HL,ss      4    fr   * * V *  HL=HL-ss-CY
                (cout if (ss-CY)>hl)

```

19.10 8-bit Arithmetic and Logical Ops

Instruction	clk	A	I	S	Z	V	C	Operation
ADC A, (HL)	5	fr	s	*	*	V	*	A = A + (HL) + CF
ADC A, (IX+d)	9	fr	s	*	*	V	*	A = A + (IX+d) + CF
ADC A, (IY+d)	9	fr	s	*	*	V	*	A = A + (IY+d) + CF
ADC A,n	4	fr	*	*	*	V	*	A = A + n + CF
ADC A,r	2	fr	*	*	*	V	*	A = A + r + CF
ADD A, (HL)	5	fr	s	*	*	V	*	A = A + (HL)
ADD A, (IX+d)	9	fr	s	*	*	V	*	A = A + (IX+d)
ADD A, (IY+d)	9	fr	s	*	*	V	*	A = A + (IY+d)
ADD A,n	4	fr	*	*	*	V	*	A = A + n
ADD A,r	2	fr	*	*	*	V	*	A = A + r
AND (HL)	5	fr	s	*	*	L	0	A = A & (HL)
AND (IX+d)	9	fr	s	*	*	L	0	A = A & (IX+d)
AND (IY+d)	9	fr	s	*	*	L	0	A = A & (IY+d)
AND n	4	fr	*	*	*	L	0	A = A & n
AND r	2	fr	*	*	*	L	0	A = A & r
CP* (HL)	5	f	s	*	*	V	*	A - (HL)
CP* (IX+d)	9	f	s	*	*	V	*	A - (IX+d)
CP* (IY+d)	9	f	s	*	*	V	*	A - (IY+d)

CP* n	4	f	*	*	V	*	A - n
CP* r	2	f	*	*	V	*	A - r
OR (HL)	5	fr	s	*	*	L 0	A = A (HL)
OR (IX+d)	9	fr	s	*	*	L 0	A = A (IX+d)
OR (IY+d)	9	fr	s	*	*	L 0	A = A (IY+d)
OR n	4	fr	*	*	L 0	A = A n	
OR r	2	fr	*	*	L 0	A = A r	
SBC* (IX+d)	9	fr	s	*	*	V *	A = A - (IX+d) - CY
SBC* (IY+d)	9	fr	s	*	*	V *	A = A - (IY+d) - CY
SBC* A, (HL)	5	fr	s	*	*	V *	A = A - (HL) - CY
SBC* A, n	4	fr	*	*	V *	A = A - n - CY	(cout if (r-CY)>A)
SBC* A, r	2	fr	*	*	V *	A = A - r - CY	(cout if (r-CY)>A)
SUB (HL)	5	fr	s	*	*	V *	A = A - (HL)
SUB (IX+d)	9	fr	s	*	*	V *	A = A - (IX+d)
SUB (IY+d)	9	fr	s	*	*	V *	A = A - (IY+d)
SUB n	4	fr	*	*	V *	A = A - n	
SUB r	2	fr	*	*	V *	A = A - r	
XOR (HL)	5	fr	s	*	*	L 0	A = [A & ~(HL)] [~A & (HL)]
XOR (IX+d)	9	fr	s	*	*	L 0	A = [A & ~(IX+d)] [~A & (IX+d)]
XOR (IY+d)	9	fr	s	*	*	L 0	A = [A & ~(IY+d)] [~A & (IY+d)]
XOR n	4	fr	*	*	L 0	A = [A & ~n] [~A & n]	
XOR r	2	fr	*	*	L 0	A = [A & ~r] [~A & r]	

* SBC and CP instruction output inverted carry. C is set if A<B if the operation or virtual operation is (A-B). Carry is cleared if A>=B. SUB outputs carry in opposite sense from SBC and CP.

19.11 8-bit Bit Set, Reset and Test

Instruction	clk	A	I	S	Z	V	C	Operation
BIT b, (HL)	7	f	s	-	*	-	-	(HL) & bit
BIT b, (IX+d)	10	f	s	-	*	-	-	(IX+d) & bit
BIT b, (IY+d)	10	f	s	-	*	-	-	(IY+d) & bit
BIT b, r	4	f	-	-	*	-	-	r & bit
RES b, (HL)	10		d	-	-	-	-	(HL) = (HL) & ~bit
RES b, (IX+d)	13		d	-	-	-	-	(IX+d) = (IX+d) & ~bit
RES b, (IY+d)	13		d	-	-	-	-	(IY+d) = (IY+d) & ~bit
RES b, r	4	r	-	-	-	-	-	r = r & ~bit
SET b, (HL)	10		b	-	-	-	-	(HL) = (HL) bit
SET b, (IX+d)	13		b	-	-	-	-	(IX+d) = (IX+d) bit
SET b, (IY+d)	13		b	-	-	-	-	(IY+d) = (IY+d) bit
SET b, r	4	r	-	-	-	-	-	r = r bit

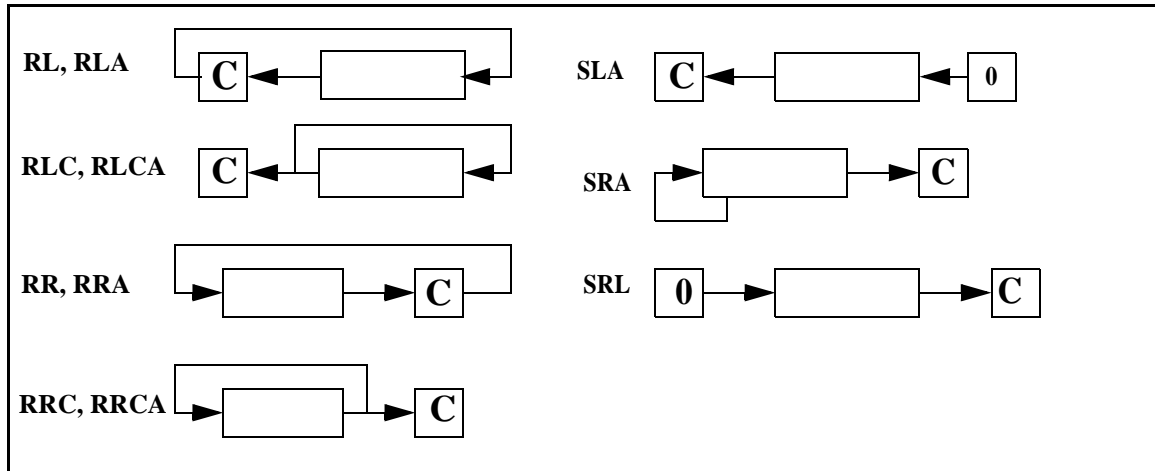
19.12 8-bit Increment and Decrement

Instruction	clk	A	I	S	Z	V	C	Operation
DEC (HL)	8	f	b	*	*	V	-	(HL) = (HL) - 1
DEC (IX+d)	12	f	b	*	*	V	-	(IX+d) = (IX+d) - 1
DEC (IY+d)	12	f	b	*	*	V	-	(IY+d) = (IY+d) - 1
DEC r	2	fr	*	*	V	-	r = r - 1	
INC (HL)	8	f	b	*	*	V	-	(HL) = (HL) + 1
INC (IX+d)	12	f	b	*	*	V	-	(IX+d) = (IX+d) + 1
INC (IY+d)	12	f	b	*	*	V	-	(IY+d) = (IY+d) + 1
INC r	2	fr	*	*	V	-	r = r + 1	

19.13 8-bit Fast A Register Operations

Instruction	clk	A	I	S	Z	V	C	Operation
CPL	2	r	-	-	-	-	-	$A = \sim A$
NEG	4	fr	*	*	V	*	-	$A = 0 - A$
RLA	2	fr	-	-	-	*	-	$\{CY, A\} = \{A, CY\}$
RLCA	2	fr	-	-	-	*	-	$A = \{A[6,0], A[7]\}; CY = A[7]$
RRA	2	fr	-	-	-	*	-	$\{A, CY\} = \{CY, A\}$
RRCA	2	fr	-	-	-	*	-	$A = \{A[0], A[7,1]\}; CY = A[0]$

19.14 8-bit Shifts and Rotates



Instruction	clk	A	I	S	Z	V	C	Operation
RL (HL)	10	f	b	*	*	L	*	$\{CY, (HL)\} = \{(HL), CY\}$
RL (IX+d)	13	f	b	*	*	L	*	$\{CY, (IX+d)\} = \{(IX+d), CY\}$
RL (IY+d)	13	f	b	*	*	L	*	$\{CY, (IY+d)\} = \{(IY+d), CY\}$
RL r	4	fr	*	*	L	*	-	$\{CY, r\} = \{r, CY\}$
RLC (HL)	10	f	b	*	*	L	*	$(HL) = \{(HL)[6,0], (HL)[7]\};$ $CY = (HL)[7]$
RLC (IX+d)	13	f	b	*	*	L	*	$(IX+d) = \{(IX+d)[6,0],$ $(IX+d)[7]\}; CY = (IX+d)[7]$
RLC (IY+d)	13	f	b	*	*	L	*	$(IY+d) = \{(IY+d)[6,0],$ $(IY+d)[7]\}; CY = (IY+d)[7]$
RLC r	4	fr	*	*	L	*	-	$r = \{r[6,0], r[7]\}; CY = r[7]$
RR (HL)	10	f	b	*	*	L	*	$\{(HL), CY\} = \{CY, (HL)\}$
RR (IX+d)	13	f	b	*	*	L	*	$\{(IX+d), CY\} = \{CY, (IX+d)\}$
RR (IY+d)	13	f	b	*	*	L	*	$\{(IY+d), CY\} = \{CY, (IY+d)\}$
RR r	4	fr	*	*	L	*	-	$\{r, CY\} = \{CY, r\}$
RRC (HL)	10	f	b	*	*	L	*	$(HL) = \{(HL)[0], (HL)[7,1]\};$ $CY = (HL)[0]$
RRC (IX+d)	13	f	b	*	*	L	*	$(IX+d) = \{(IX+d)[0],$ $(IX+d)[7,1]\}; CY = (IX+d)[0]$
RRC (IY+d)	13	f	b	*	*	L	*	$(IY+d) = \{(IY+d)[0],$ $(IY+d)[7,1]\}; CY = (IY+d)[0]$
RRC r	4	fr	*	*	L	*	-	$r = \{r[0], r[7,1]\}; CY = r[0]$
SLA (HL)	10	f	b	*	*	L	*	$(HL) = \{(HL)[6,0], 0\}; CY =$ $(HL)[7]$
SLA (IX+d)	13	f	b	*	*	L	*	$(IX+d) = \{(IX+d)[6,0], 0\};$ $CY = (IX+d)[7]$
SLA (IY+d)	13	f	b	*	*	L	*	$(IY+d) = \{(IY+d)[6,0], 0\};$ $CY = (IY+d)[7]$

SLA r	4	fr	*	*	L	*	r = {r[6,0],0}; CY = r[7]
SRA (HL)	10	f	b	*	*	L	(HL) = {(HL)[7],(HL)[7,1]}; CY = (HL)[0]
SRA (IX+d)	13	f	b	*	*	L	(IX+d) = {(IX+d)[7], (IX+d)[7,1]}; CY = (IX+d)[0]
SRA (IY+d)	13	f	b	*	*	L	(IY+d) = {(IY+d)[7], (IY+d)[7,1]}; CY = (IY+d)[0]
SRA r	4	fr	*	*	L	*	r = {r[7],r[7,1]}; CY = r[0]
SRL (HL)	10	f	b	*	*	L	(HL) = {0,(HL)[7,1]}; CY = (HL)[0]
SRL (IX+d)	13	f	b	*	*	L	(IX+d) = {0,(IX+d)[7,1]}; CY = (IX+d)[0]
SRL (IY+d)	13	f	b	*	*	L	(IY+d) = {0,(IY+d)[7,1]}; CY = (IY+d)[0]
SRL r	4	fr	*	*	L	*	r = {0,r[7,1]}; CY = r[0]

19.15 Instruction Prefixes

Instruction	clk	A	I	S	Z	V	C	Operation
ALTD	2		-	-	-	-		alternate register destination for next Instruction
IOE	2		-	-	-	-		I/O external prefix
IOI	2		-	-	-	-		I/O internal prefix

19.16 Block Move Instructions

Instruction	clk	A	I	S	Z	V	C	Operation
LDD	10		d	-	-	*	-	(DE) = (HL); BC = BC-1; DE = DE-1; HL = HL-1
LDDR	6+7i		d	-	-	*	-	if {BC != 0} repeat:
LDI	10		d	-	-	*	-	(DE) = (HL); BC = BC-1; DE = DE+1; HL = HL+1
LDIR	6+7i		d	-	-	*	-	if {BC != 0} repeat:

If any of the block move instructions are prefixed by an I/O prefix, the destination will be in the specified I/O space. Add 1 clock for each iteration for the prefix if the prefix is IOI (internal I/O). If the prefix is IOE, add 2 clocks plus the number of I/O wait states enabled. The V flag is set when BC transitions from 1 to 0. If the V flag is not set another step is performed for the repeating versions of the instructions. Interrupts can occur between different repeats, but not within an iteration equivalent to LDD or LDI. Return from the interrupt is to the first byte of the instruction which is the I/O prefix byte if there is one.

A new **LDIR/LDDR** bug was discovered in September, 2002. The problem has to do with wait states and the block move operations. With this problem, the first iteration of **LDIR/LDDR** uses the correct number of wait states for both the read and the write. However, all subsequent iterations use the number of waits programmed for the memory located at the write address for both the read and the write cycles. This becomes a problem when moving a block of data from a slow memory device requiring wait states to a fast memory device requiring no wait states. With respect to external I/O operations, the **LDIR** or **LDDR** performs reads with zero wait states independent of the waits programmed for the I/O for all but the first iteration. The first iteration is correct. This bug is automatically corrected by Dynamic C, and will be fixed in future generations of the chip.

19.17 Control Instructions - Jumps and Calls

Instruction	clk	A	I	S	Z	V	C	Operation
CALL mn	12			-	-	-	-	(SP-1) = PCH; (SP-2) = PCL; PC = mn; SP = SP-2
DJNZ j	5	r		-	-	-	-	B = B-1; if {B != 0} PC = PC + j
JP (HL)	4			-	-	-	-	PC = HL
JP (IX)	6			-	-	-	-	PC = IX
JP (IY)	6			-	-	-	-	PC = IY
JP f,mn	7			-	-	-	-	if {f} PC = mn
JP mn	7			-	-	-	-	PC = mn
JR cc,e	5			-	-	-	-	if {cc} PC = PC + e
JR e	5			-	-	-	-	PC = PC + e (if e==0 next seq inst is executed)
LCALL xpc,mn	19			-	-	-	-	(SP-1) = XPC; (SP-2) = PCH; (SP-3) = PCL; XPC=xpc; PC = mn; SP = (SP-3)
LJP xpc,mn	10			-	-	-	-	XPC=xpc; PC = mn
LRET	13			-	-	-	-	PCL = (SP); PCH = (SP+1); XPC = (SP+2); SP = SP+3
RET	8			-	-	-	-	PCL = (SP); PCH = (SP+1); SP = SP+2
RET f	8/2			-	-	-	-	if {f} PCL = (SP); PCH = (SP+1); SP = SP+2
RETI	12			-	-	-	-	IP = (SP); PCL = (SP+1); PCH = (SP+2); SP = SP+3
RST v	10			-	-	-	-	(SP-1) = PCH; (SP-2) = PCL; SP = SP - 2; PC = {R,v} v=10,18,20,28,38 only

19.18 Miscellaneous Instructions

Instruction	clk	A	I	S	Z	V	C	Operation
CCF	2	f		-	-	-	*	CF = ~CF
IPSET 0	4			-	-	-	-	IP = {IP[5:0], 00}
IPSET 1	4			-	-	-	-	IP = {IP[5:0], 01}
IPSET 2	4			-	-	-	-	IP = {IP[5:0], 10}
IPSET 3	4			-	-	-	-	IP = {IP[5:0], 11}
IPRES	4			-	-	-	-	IP = {IP[1:0], IP[7:2]}
LD A,EIR	4	fr		*	*	-	-	A = EIR
LD A,IIR	4	fr		*	*	-	-	A = IIR
LD A,XPC	4	r		-	-	-	-	A = MMU
LD EIR,A	4			-	-	-	-	EIR = A
LD IIR,A	4			-	-	-	-	IIR = A
LD XPC,A	4			-	-	-	-	XPC = A
NOP	2			-	-	-	-	No Operation
POP IP	7			-	-	-	-	IP = (SP); SP = SP+1
PUSH IP	9			-	-	-	-	(SP-1) = IP; SP = SP-1
SCF	2	f		-	-	-	1	CF = 1

19.19 Privileged Instructions

The privileged instructions are described in this section. Privilege means that an interrupt cannot take place between the privileged instruction and the following instruction.

The three instructions below are privileged.

```
LD SP,HL ; load the stack pointer
LD SP,IY
LD SP,IX
```

The instructions to load the stack are privileged so that they can be followed by an instruction to load the stack segment (SSEG) register without the danger of an interrupt taking place with and incorrect association between the stack pointer and the stack segment register. For example,

```
LD SP,HL
IOI LD (STACKSEG),A
```

The following instructions are privileged.

```
IPSET 0 ; shift IP left and set priority 00 in bits 1,0
IPSET 1
IPSET 2
IPSET 3
IPRES ; rotate IP right 2 bits, restoring previous priority
POP IP ; pop IP register from stack
```

The instructions to modify the IP register are privileged so that they can be followed by a return instructions that is guaranteed to execute before another interrupt takes place. This avoids the possibility of an ever-growing stack.

```
RETI ; pops IP from stack and then pops return address
```

The instruction `reti` can be used to set both the return address and the IP in a single instruction. If preceded by a `LD XPC`, a complete jump or call to a computed address can be done with no possible interrupt.

```
LD A,XPC ; get and set the XPC
LD XPC,A
```

The instruction `LD XPC,A` is privileged so that it can be followed by other code setting interrupt priority or program counter without an intervening interrupt.

```
BIT B,(HL) ; test a bit in memory
```

The instruction `bit B, (HL)` is privileged to make it possible to implement a semaphore without disabling interrupts. The following sequence is used. A bit is a semaphore, and the first task to set the bit owns the semaphore and has a right to manipulate the resources associated with the semaphore.

```
BIT B,(HL)
SET B,(HL)
JP z,ihaveit
; here I don't have it
```

The `SET` instruction has no effect on the flags. Since no interrupt takes place after the `BIT` instruction, if the flag is zero that means that the semaphore was not set when tested by the bit instruction and that the set instruction has set the semaphore. If an interrupt was allowed between the `BIT` and set instructions, another routine could set the semaphore and two routines could think that they both owned the semaphore.

20. DIFFERENCES RABBIT VS. Z80/Z180 INSTRUCTIONS

The Rabbit is highly code compatible with the Z80 and Z180, and it is easy to port non I/O dependent code. The main areas of incompatibility are instructions that are concerned with I/O or particular hardware implementations. The more important instructions that were dropped from the Z80/Z180 are automatically simulated by an instruction sequence in the Dynamic C assembler. A few fairly useless instructions have been dropped and cannot be easily simulated. Code using these instructions should be rewritten.

The following Z80/Z180 instructions have been dropped and there are no exact substitutes.

```
DAA, HALT, DI, EI, IM 0, IM 1, IM 2, OUT, IN, OUT0, IN0, SLP, OUTI,
IND, OUTD, INIR, OTIR, INDR, OTDR, TESTIO, MLT SP, RRD, RLD, CPI,
CPIR, CPD, CPDR
```

Most of these op codes deal with I/O devices and thus do not represent transportable code. The only opcodes that are not processor I/O related are **MLT SP**, **DAA**, **RRD**, **RLD**, **CPI**, **CPIR**, **CPD**, and **CPDR**. **MLT SP** is not a practical op code. The codes that are concerned with decimal arithmetic, **DAA**, **RRD**, and **RLD**, could be simulated, but the simulation is very inefficient. (The bit in the status register used for half carry is available and can be set and cleared using the **PUSH AF** and **POP AF** instructions to gain access.) Usually code that uses these instructions should be rewritten. The instructions **CPI**, **CPIR**, **CPD**, and **CPDR** are repeating compare instructions. These instructions are not very useful because the scan stops when equal compare is detected. Unequal compare would be more useful. They are difficult to simulate efficiently, so it is suggested that code using these instructions be rewritten, which in most cases should be quite easy.

The following op codes are dropped.

```
RST 0, RST 8, RST 0x30
```

The remaining **RST** instructions are kept, but the interrupt vector is relocated to a variable location the base of which is established by the EIR register. **RST** can be simulated by a call instruction, but this is not done automatically by the assembler since most of these instructions are used for debugging by Dynamic C.

The following instruction has had its op code changed.

```
EX (SP),HL - old opcode 0x0E3, new opcode - 0x0ED-0x054
```

The following instructions use different register names.

```
LD A,EIR
LD EIR,A ; was R register
LD IIR,A
LD A,IIR ; was I register
```

The following Z80/Z180 instructions have been dropped and are not supported. Alternative Rabbit instructions are provided.

Z80/Z180 Instructions Dropped	Rabbit Instructions to Use
CALL CC,ADR	JR (JP) ncc,xxx ; reverse condition CALL ADR xxx:
TST R ((HL),n)	PUSH DE PUSH AF AND r ((HL), n) POP DE ; get a in h LD A,d POP DE

21. INSTRUCTIONS IN ALPHABETICAL ORDER WITH BINARY ENCODING

Spreadsheet Conventions

ALTD (“A” Column) Symbol Key

Flag	Description
f	ALTD selects alternate flags
fr	ALTD selects alternate flags and register
r	ALTD selects alternate register
s	ALTD operation is a special case

IOI and IOE (“I” Column) Symbol Key

Flag	Description
b	IOI and IOE affect source and destination
d	IOI and IOE affect destination
s	IOI and IOE affect source

Flag Register Key

S	Z	L/V *	C	Description
*				Sign flag affected
-				Sign flag not affected
	*			Zero flag affected
	-			Zero flag not affected
		L		L/V flag contains logical check result
		V		L/V flag contains arithmetic overflow result
		0		L/V flag is cleared
		*		L/V flag is affected
			*	Carry flag is affected
			-	Carry flag is not affected
			0	Carry flag is cleared
			1	Carry flag is set

* The L/V (logical/overflow) flag serves a dual purpose—L/V is set to 1 for logical operations if any of the four most significant bits of the result are 1, and L/V is reset to 0 if all four of the most significant bits of the result are 0.

Symbols

Rabbit	Z180	Meaning
b	b	Bit select: 000 = bit 0, 001 = bit 1, 010 = bit 2, 011 = bit 3, 100 = bit 4, 101 = bit 5, 110 = bit 6, 111 = bit 7
cc	cc	Condition code select: 00 = NZ, 01 = Z, 10 = NC, 11 = C
d	d	7-bit (signed) displacement. Expressed in two's complement.
dd	ww	Word register select destination: 00 = BC, 01 = DE, 10 = HL, 11 = SP
dd'		Word register select alternate: 00 = BC', 01 = DE', 10 = HL'
e	j	8-bit (signed) displacement added to PC.
f	f	Condition code select: 000 = NZ (non zero), 001 = Z (zero), 010 = NC (non carry), 011 = C (carry), 100 = LZ* (logical zero), 101 = LO† (logical one), 110 = P (sign plus), 111 = M (sign minus)
m	m	MSB of a 16-bit constant.
mn	mn	16-bit constant.
n	n	8-bit constant or LSB of a 16-bit constant.
r, g	g, g'	Byte register select: 000 = B, 001 = C, 010 = D, 011 = E, 100 = H, 101 = L, 111 = A
ss	ww	Word register select (source): 00 = BC, 01 = DE, 10 = HL, 11 = SP
v	v	Restart address select: 010 = 0x0020, 011 = 0x0030, 100 = 0x0040, 101 = 0x0050, 111 = 0x0070
xx	xx	Word register select: 00 = BC, 01 = DE, 10 = IX, 11 = SP
yy	yy	Word register select: 00 = BC, 01 = DE, 10 = IY, 11 = SP
zz	zz	Word register select: 00 = BC, 01 = DE, 10 = HL, 11 = AF

* Logical zero if all four of the most significant bits of the result are 0.

† Logical one if any of the four most significant bits of the result are 1.

Instruction	Byte 1	Byte 2	Byte 3	Byte 4	clk	A	I	S	Z	V	C
ADC A, (HL)	10001110				5	fr	s	*	*	V	*
ADC A, (IX+d)	11011101	10001110	----d---		9	fr	s	*	*	V	*
ADC A, (IY+d)	11111101	10001110	----d---		9	fr	s	*	*	V	*
ADC A,n	11001110	----n---			4	fr		*	*	V	*
ADC A,r	10001-r-				2	fr		*	*	V	*
ADC HL,ss	11101101	01ss1010			4	fr		*	*	V	*
ADD A, (HL)	10000110				5	fr	s	*	*	V	*
ADD A, (IX+d)	11011101	10000110	----d---		9	fr	s	*	*	V	*
ADD A, (IY+d)	11111101	10000110	----d---		9	fr	s	*	*	V	*
ADD A,n	11000110	----n---			4	fr		*	*	V	*
ADD A,r	10000-r-				2	fr		*	*	V	*
ADD HL,ss	00ss1001				2	fr	-	-	-	*	
ADD IX,xx	11011101	00xx1001			4	f	-	-	-	*	
ADD IY,yy	11111101	00yy1001			4	f	-	-	-	*	
ADD SP,d	00100111	----d---			4	f	-	-	-	*	
ALTD	01110110				2		-	-	-	-	
AND (HL)	10100110				5	fr	s	*	*	L	0
AND (IX+d)	11011101	10100110	----d---		9	fr	s	*	*	L	0
AND (IY+d)	11111101	10100110	----d---		9	fr	s	*	*	L	0
AND HL,DE	11011100				2	fr		*	*	L	0
AND IX,DE	11011101	11011100			4	f		*	*	L	0
AND IY,DE	11111101	11011100			4	f		*	*	L	0
AND n	11100110	----n---			4	fr		*	*	L	0
AND r	10100-r-				2	fr		*	*	L	0
BIT b, (HL)	11001011	01-b-110			7	f	s	-	*	-	-
BIT b, (IX+d))	11011101	11001011	----d---	01-b-110	10	f	s	-	*	-	-
BIT b, (IY+d))	11111101	11001011	----d---	01-b-110	10	f	s	-	*	-	-
BIT b,r	11001011	01-b--r-			4	f		-	*	-	-
BOOL HL	11001100				2	fr		*	*	0	0
BOOL IX	11011101	11001100			4	f		*	*	0	0
BOOL IY	11111101	11001100			4	f		*	*	0	0
CALL mn	11001101	----n---	----m---		12		-	-	-	-	
CCF	00111111				2	f	-	-	-	*	
CP (HL)	10111110				5	f	s	*	*	V	*
CP (IX+d)	11011101	10111110	----d---		9	f	s	*	*	V	*
CP (IY+d)	11111101	10111110	----d---		9	f	s	*	*	V	*
CP n	11111110	----n---			4	f		*	*	V	*
CP r	10111-r-				2	f		*	*	V	*
CPL	00101111				2	r	-	-	-	-	
DEC (HL)	00110101				8	f	b	*	*	V	-
DEC (IX+d)	11011101	00110101	----d---		12	f	b	*	*	V	-
DEC (IY+d)	11111101	00110101	----d---		12	f	b	*	*	V	-
DEC IX	11011101	00101011			4		-	-	-	-	
DEC IY	11111101	00101011			4		-	-	-	-	
DEC r	00-r-101				2	fr		*	*	V	-
DEC ss	00ss1011				2	r	-	-	-	-	
ss= 00-BC, 01-DE, 10-HL, 11-SP											
DJNZ j	00010000	--(j-2)-			5	r	-	-	-	-	
EX (SP),HL	11101101	01010100			15	r	-	-	-	-	
EX (SP),IX	11011101	11100011			15		-	-	-	-	
EX (SP),IY	11111101	11100011			15		-	-	-	-	

Instruction	Byte 1	Byte 2	Byte 3	Byte 4	clk	A	I	S	Z	V	C
EX AF,AF'	00001000				2			-	-	-	-
EX DE,HL	11101011				2	s		-	-	-	-
EX DE',HL	11100011				2	s		-	-	-	-
EX DE,HL'	01110110	11100011			4	s		-	-	-	-
EX DE',HL'	01110110	11100011			4	s		-	-	-	-
EXX	11011001				2			-	-	-	-
INC (HL)	00110100				8	f	b	*	*	V	-
INC (IX+d)	11011101	00110100	----d---		12	f	b	*	*	V	-
INC (IY+d)	11111101	00110100	----d---		12	f	b	*	*	V	-
INC IX	11011101	00100011			4			-	-	-	-
INC IY	11111101	00100011			4			-	-	-	-
INC r	00-r-100				2	fr		*	*	V	-
INC ss	00ss0011				2	r		-	-	-	-
ss= 00-BC, 01-DE, 10-HL, 11-SP											
IOE	11011011				2			-	-	-	-
IOI	11010011				2			-	-	-	-
IPSET 0	11101101	01000110			4			-	-	-	-
IPSET 1	11101101	01010110			4			-	-	-	-
IPSET 2	11101101	01001110			4			-	-	-	-
IPSET 3	11101101	01011110			4			-	-	-	-
IPRES	11101101	01011101			4			-	-	-	-
JP (HL)	11101001				4			-	-	-	-
JP (IX)	11011101	11101001			6			-	-	-	-
JP (IY)	11111101	11101001			6			-	-	-	-
JP f,mn	11-f-010	----n---	----m---		7			-	-	-	-
JP mn	11000011	----n---	----m---		7			-	-	-	-
JR cc,e	001cc000	--(e-2)-			5			-	-	-	-
JR e	00011000	--(e-2)-			5			-	-	-	-
Note: If byte following op code is zero, next sequential instruction is executed. If byte is -2 (11111110) jr is to itself.											
LCALL xpc,mn	11001111	----n---	----m---	--xpc---	19			-	-	-	-
LD (BC),A	00000010				7		d	-	-	-	-
LD (DE),A	00010010				7		d	-	-	-	-
LD (HL),n	00110110	----n---			7		d	-	-	-	-
LD (HL),r	01110-r-				6		d	-	-	-	-
LD (HL+d),HL	11011101	11110100	----d---		13		d	-	-	-	-
LD (IX+d),HL	11110100	----d---			11		d	-	-	-	-
LD (IX+d),n	11011101	00110110	----d---	----n---	11		d	-	-	-	-
LD (IX+d),r	11011101	01110-r-	----d---		10		d	-	-	-	-
LD (IY+d),HL	11111101	11110100	----d---		13		d	-	-	-	-
LD (IY+d),n	11111101	00110110	----d---	----n---	11		d	-	-	-	-
LD (IY+d),r	11111101	01110-r-	----d---		10		d	-	-	-	-
LD (mn),A	00110010	----n---	----m---		10		d	-	-	-	-
LD (mn),HL	00100010	----n---	----m---		13		d	-	-	-	-
LD (mn),IX	11011101	00100010	----n---	----m---	15		d	-	-	-	-
LD (mn),IY	11111101	00100010	----n---	----m---	15		d	-	-	-	-
LD (mn),ss	11101101	01ss0011	----n---	----m---	15		d	-	-	-	-
LD (SP+n),HL	11010100	----n---			11			-	-	-	-
LD (SP+n),IX	11011101	11010100	----n---		13			-	-	-	-
LD (SP+n),IY	11111101	11010100	----n---		13			-	-	-	-

Instruction	Byte 1	Byte 2	Byte 3	Byte 4	clk	A	I	S	Z	V	C
LD A, (BC)	00001010				6	r	s	-	-	-	-
LD A, (DE)	00011010				6	r	s	-	-	-	-
LD A, (mn)	00111010	----n---	----m---		9	r	s	-	-	-	-
LD A, EIR	11101101	01010111			4	fr	*	*	-	-	-
LD A, IIR	11101101	01011111			4	fr	*	*	-	-	-
LD A, XPC	11101101	01110111			4	r	-	-	-	-	-
LD dd, (mn)	11101101	01dd1011	----n---	----m---	13	r	s	-	-	-	-
LD dd', BC	11101101	01dd1001			4		-	-	-	-	-
LD dd', DE	11101101	01dd0001			4		-	-	-	-	-
LD dd, mn	00dd0001	----n---	----m---		6	r	-	-	-	-	-
LD bc, mn	00000001	...									
LD de, mn	00010001	...									
LD hl, mn	00100001	...									
LD sp, mn	00110001	...									
LD EIR, A	11101101	01000111			4		-	-	-	-	-
LD HL, (HL+d)	11011101	11100100	----d---		11	r	s	-	-	-	-
LD HL, (IX+d)	11100100	----d---			9	r	s	-	-	-	-
LD HL, (IY+d)	11111101	11100100	----d---		11	r	s	-	-	-	-
LD HL, (mn)	00101010	----n---	----m---		11	r	s	-	-	-	-
LD HL, (SP+n)	11000100	----n---			9	r	-	-	-	-	-
LD HL, IX	11011101	01111100			4	r	-	-	-	-	-
LD HL, IY	11111101	01111100			4	r	-	-	-	-	-
LD IIR, A	11101101	01001111			4		-	-	-	-	-
LD IX, (mn)	11011101	00101010	----n---	----m---	13		s	-	-	-	-
LD IX, (SP+n)	11011101	11000100	----n---		11		-	-	-	-	-
LD IX, HL	11011101	01111101			4		-	-	-	-	-
LD IX, mn	11011101	00100001	----n---	----m---	8		-	-	-	-	-
LD IY, (mn)	11111101	00101010	----n---	----m---	13		s	-	-	-	-
LD IY, (SP+n)	11111101	11000100	----n---		11		-	-	-	-	-
LD IY, HL	11111101	01111101			4		-	-	-	-	-
LD IY, mn	11111101	00100001	----n---	----m---	8		-	-	-	-	-
LD r, (HL)	01-r-110				5	r	s	-	-	-	-
LD r, (IX+d)	11011101	01-r-110	----d---		9	r	s	-	-	-	-
LD r, (IY+d)	11111101	01-r-110	----d---		9	r	s	-	-	-	-
LD r, g	01-r---g				2	r	-	-	-	-	-
LD r, n	00-r-110	----n---			4	r	-	-	-	-	-
LD SP, HL	11111001				2		-	-	-	-	-
LD SP, IX	11011101	11111001			4		-	-	-	-	-
LD SP, IY	11111101	11111001			4		-	-	-	-	-
LD XPC, A	11101101	01100111			4		-	-	-	-	-
LDD	11101101	10101000			10		d	-	-	*	-
LDDR	11101101	10111000			6+7i		d	-	-	*	-
LDI	11101101	10100000			10		d	-	-	*	-
LDIR	11101101	10110000			6+7i		d	-	-	*	-
LDP (HL), HL	11101101	01100100			12		-	-	-	-	-
LDP (IX), HL	11011101	01100100			12		-	-	-	-	-
LDP (IY), HL	11111101	01100100			12		-	-	-	-	-
LDP (mn), HL	11101101	01100101	----n---	----m---	15		-	-	-	-	-
LDP (mn), IX	11011101	01100101	----n---	----m---	15		-	-	-	-	-
LDP (mn), IY	11111101	01100101	----n---	----m---	15		-	-	-	-	-

Instruction	Byte 1	Byte 2	Byte 3	Byte 4	clk	A	I	S	Z	V	C
LDP HL, (HL)	11101101	01101100			10		-	-	-	-	
LDP HL, (IX)	11011101	01101100			10		-	-	-	-	
LDP HL, (IY)	11111101	01101100			10		-	-	-	-	
LDP HL, (mn)	11101101	01101101	----n---	----m---	13		-	-	-	-	
LDP IX, (mn)	11011101	01101101	----n---	----m---	13		-	-	-	-	
LDP IY, (mn)	11111101	01101101	----n---	----m---	13		-	-	-	-	
LJP nbr, mn	11000111	----n---	----m---	--nbr---	10		-	-	-	-	
LRET	11101101	01000101			13		-	-	-	-	
MUL	11110111				12		-	-	-	-	
NEG	11101101	01000100			4	fr	*	*	V	*	
NOP	00000000				2		-	-	-	-	
OR (HL)	10110110				5	fr	s	*	*	L	0
OR (IX+d)	11011101	10110110	----d---		9	fr	s	*	*	L	0
OR (IY+d)	11111101	10110110	----d---		9	fr	s	*	*	L	0
OR HL, DE	11101100				2	fr	*	*	L	0	
OR IX, DE	11011101	11101100			4	f	*	*	L	0	
OR IY, DE	11111101	11101100			4	f	*	*	L	0	
OR n	11110110	----n---			4	fr	*	*	L	0	
OR r	10110-r-				2	fr	*	*	L	0	
POP IP	11101101	01111110			7		-	-	-	-	
POP IX	11011101	11100001			9		-	-	-	-	
POP IY	11111101	11100001			9		-	-	-	-	
POP zz	11zz0001				7	r	-	-	-	-	
PUSH IP	11101101	01110110			9		-	-	-	-	
PUSH IX	11011101	11100101			12		-	-	-	-	
PUSH IY	11111101	11100101			12		-	-	-	-	
PUSH zz	11zz0101				10		-	-	-	-	
RES b, (HL)	11001011	10-b-110			10		d	-	-	-	-
RES b, (IX+d)	11011101	11001011	----d---	10-b-110	13		d	-	-	-	-
RES b, (IY+d)	11111101	11001011	----d---	10-b-110	13		d	-	-	-	-
RES b, r	11001011	10-b--r-			4	r	-	-	-	-	-
RET	11001001				8		-	-	-	-	-
RET f	11-f-000				8/2		-	-	-	-	-
RETI	11101101	01001101			12		-	-	-	-	-
RL (HL)	11001011	00010110			10	f	b	*	*	L	*
RL (IX+d)	11011101	11001011	----d---	00010110	13	f	b	*	*	L	*
RL (IY+d)	11111101	11001011	----d---	00010110	13	f	b	*	*	L	*
RL DE	11110011				2	fr	*	*	L	*	
RL r	11001011	00010-r-			4	fr	*	*	L	*	
RLA	00010111				2	fr	-	-	-	*	
RLC (HL)	11001011	00000110			10	f	b	*	*	L	*
RLC (IX+d)	11011101	11001011	----d---	00000110	13	f	b	*	*	L	*
RLC (IY+d)	11111101	11001011	----d---	00000110	13	f	b	*	*	L	*
RLC r	11001011	00000-r-			4	fr	*	*	L	*	
RLCA	00000111				2	fr	-	-	-	*	
RR (HL)	11001011	00011110			10	f	b	*	*	L	*
RR (IX+d)	11011101	11001011	----d---	00011110	13	f	b	*	*	L	*
RR (IY+d)	11111101	11001011	----d---	00011110	13	f	b	*	*	L	*
RR DE	11111011				2	fr	*	*	L	*	
RR HL	11111100				2	fr	*	*	L	*	
RR IX	11011101	11111100			4	f	*	*	L	*	
RR IY	11111101	11111100			4	f	*	*	L	*	

Instruction	Byte 1	Byte 2	Byte 3	Byte 4	clk	A	I	S	Z	V	C
RR r	11001011	00011-r-			4	fr	*	*	L	*	
RRA	00011111				2	fr	-	-	-	*	
RRC (HL)	11001011	00001110			10	f	b	*	*	L	*
RRC (IX+d)	11011101	11001011	----d---	00001110	13	f	b	*	*	L	*
RRC (IY+d)	11111101	11001011	----d---	00001110	13	f	b	*	*	L	*
RRC r	11001011	00001-r-			4	fr	*	*	L	*	
RRCA	00001111				2	fr	-	-	-	*	
RST v	11-v-111	[v=2,3,4,5,7 only]			8		-	-	-	-	
SBC (IX+d)	11011101	10011110	----d---		9	fr	s	*	*	V	*
SBC (IY+d)	11111101	10011110	----d---		9	fr	s	*	*	V	*
SBC A, (HL)	10011110				5	fr	s	*	*	V	*
SBC A,n	11011110	----n---			4	fr	*	*	V	*	
SBC A,r	10011-r-				2	fr	*	*	V	*	
SBC HL,ss	11101101	01ss0010			4	fr	*	*	V	*	
SCF	00110111				2	f	-	-	-	1	
SET b, (HL)	11001011	11-b-110			10		b	-	-	-	-
SET b, (IX+d)	11011101	11001011	----d---	11-b-110	13		b	-	-	-	-
SET b, (IY+d)	11111101	11001011	----d---	11-b-110	13		b	-	-	-	-
SET b,r	11001011	11-b--r-			4	r	-	-	-	-	
SLA (HL)	11001011	00100110			10	f	b	*	*	L	*
SLA (IX+d)	11011101	11001011	----d---	00100110	13	f	b	*	*	L	*
SLA (IY+d)	11111101	11001011	----d---	00100110	13	f	b	*	*	L	*
SLA r	11001011	00100-r-			4	fr	*	*	L	*	
SRA (HL)	11001011	00101110			10	f	b	*	*	L	*
SRA (IX+d)	11011101	11001011	----d---	00101110	13	f	b	*	*	L	*
SRA (IY+d)	11111101	11001011	----d---	00101110	13	f	b	*	*	L	*
SRA r	11001011	00101-r-			4	fr	*	*	L	*	
SRL (HL)	11001011	00111110			10	f	b	*	*	L	*
SRL (IX+d)	11011101	11001011	----d---	00111110	13	f	b	*	*	L	*
SRL (IY+d)	11111101	11001011	----d---	00111110	13	f	b	*	*	L	*
SRL r	11001011	00111-r-			4	fr	*	*	L	*	
SUB (HL)	10010110				5	fr	s	*	*	V	*
SUB (IX+d)	11011101	10010110	----d---		9	fr	s	*	*	V	*
SUB (IY+d)	11111101	10010110	----d---		9	fr	s	*	*	V	*
SUB n	11010110	----n---			4	fr	*	*	V	*	
SUB r	10010-r-				2	fr	*	*	V	*	
XOR (HL)	10101110				5	fr	s	*	*	L	0
XOR (IX+d)	11011101	10101110	----d---		9	fr	s	*	*	L	0
XOR (IY+d)	11111101	10101110	----d---		9	fr	s	*	*	L	0
XOR n	11101110	----n---			4	fr	*	*	L	0	
XOR r	10101-r-				2	fr	*	*	L	0	
ZINTACK (interrupt)					10		-	-	-	-	

APPENDIX A.

THE RABBIT PROGRAMMING PORT

The programming port provides a standard physical and electrical interface between a Rabbit-based system and the Dynamic C programming platform. A special interface cable and converter connects a PC serial port to the programming port. The programming port is implemented by means of a 10-pin standard 2 mm connector. (Of course the user can change the physical implementation of the connector if he so desires.) With this setup the PC can communicate with the target, reset it and reboot it. The DTR line on the PC serial interface is used to drive the target reset line, which should be drivable by an external CMOS driver. The STATUS pin is used to by the Rabbit-based target to request attention when a breakpoint is encountered in the target under test. The SMODE pins are pulled up by a +5 V/+3 V level from the interface. They should be pulled down on the board when the interface is not in use by approximately 5 kΩ resistors to ground. The target under test provides the +5 V or +3 V to the interface cable which is used to power the RS-232 driver and receiver.

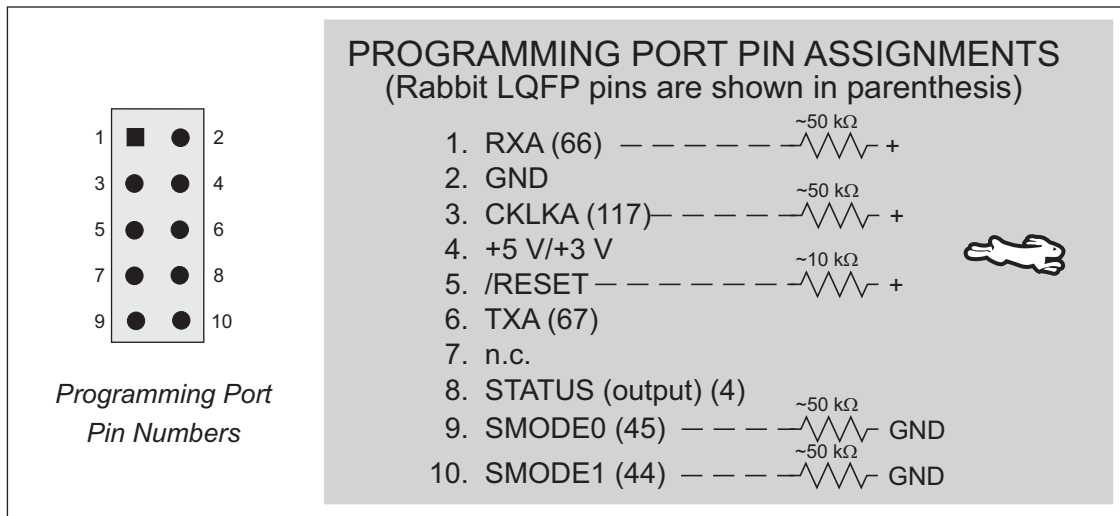


Figure A-1. Rabbit Programming Port

A.1 Use of the Programming Port as a Diagnostic/Setup Port

The programming port, which is already in place, can serve as a convenient communications port for field setup, diagnosis or other occasional communication need (for example, as a diagnostic port). There are several ways that the port can be automatically integrated into the user's software scheme. If the purpose of the port is simply to perform a setup function, that is, write setup information to flash memory, then the controller can be reset through the programming port, followed by a cold boot to start execution of a special program dedicated to this functionality.

The standard programming cable connects the programming interface to a PC programming port. The /RESET line can be asserted by manipulating DTR on the PC serial port and the STATUS line can be read by the PC as DSR on the serial port. The PC can restart the target by pulsing reset and then, after a short delay, sending a special character string at 2400 bps. To simply restart the BIOS, the string 0x80, 0x24, 0x80 can be sent. When the BIOS is started, it can tell whether the **PROG** connector on the programming cable is connected because the SMODE1, SMODE0 pins are sensed as high. This will cause the BIOS to think that it should enter programming mode. The Dynamic C programming mode then can have an escape message that will enable the diagnostic serial port function.

Another approach to enabling the diagnostic port is to poll the serial port periodically to see if communication needs to begin or to enable the port and wait for interrupts. The SMODE pins can be used for signaling and can be detected by a poll. However, recall that the SMODE pins have a special function after reset and will inhibit normal reset behavior if not held low. The pull-up resistors on RXA and CLKA prevent spurious data reception that might take place if the pins floated.

If the clocked serial mode is used, the serial port can be driven by having two toggling lines that can be driven and one line that can be sensed. This allows a conversation with a device that does not have an asynchronous serial port but that has two output signal lines and one input signal line.

The line TXA (also called PC6) is zero after reset if cold boot mode is not enabled. A possible way to detect the presence of a cable on the programming port is for the cable to connect TXA to one of the SMODE pins and then test for the connection by raising PC6 and reading the SMODE pin after the cold boot mode has been disabled.

A.2 Alternate Programming Port

The programming port uses Serial Port A. If the user needs to use Serial Port A in an application, an alternate method of programming is possible using the same 10-pin programming port. For his own application the user should use the alternate I/O pins for port A that share pins with Parallel Port D. The TXA and RXA pins on the 10-pin programming port are then a parallel port output and parallel port input using pins 6 and 7 on Parallel Port C. Using these two ports plus the STATUS pin as an output clock, the user can create a synchronous clocked communication port using instructions to toggle the clock and data. Another Rabbit-based board can be used to translate the clocked serial signal to

an asynchronous signal suitable for the PC. Since the target controls the clock for both send and receive, the data transmission proceeds at a rate controlled by the target board under development.

This scheme does not allow for an interrupt, and it is not desirable to use up an external interrupt for this purpose. The serial port may be used, if desired, During program load because there is no conflict with the user's program at compile load time. However, the user's program will conflict during debugging. The nature of the transmissions during debugging is such that the user program starts at a break point or otherwise wants to get the attention of the PC. The other type of message is when the PC wants to read or write target memory while the target is running.

The target toggling the clock can simply send a clocked serial message to get the attention of the PC. The intermediate communications board can accept these unsolicited messages using its clocked serial port. To prevent overrunning the receiver, the target can wait for a handshake signal on one of the SMODE lines or there can be suitable pre-arranged delays.

If the PC wants attention from the target it can set a line to request attention (SMODE). The target will detect this line in the periodic interrupt routine and handle the complete message in the periodic interrupt routine. This may slow down target execution, but the interrupts will be enabled on the target while the message is read. The intermediate board could split long messages into a series of shorter messages if this is a problem.

A.3 Suggested Rabbit Crystal Frequencies

Table A-1 provides a list of suggested Rabbit operating frequencies. The numbers in Table A-1 are based on the following assumptions:

- spectrum spreader set to normal,
- doubler in use (52/48 duty cycle), and
- a combined 6 ns for clock to address and data setup times.

The crystal can be half the operating frequency if the clock doubler is used up to 27 MHz. Beyond this operating clock speed, it is necessary to use an X1 crystal or an external oscillator because asymmetry in the waveform generated by the oscillator becomes a variation in the clock speed if the clock speed is doubled.

**Table A-1. Preliminary Crystal Frequencies,
Memory Access Times, and Baud Rates**

Crystal Frequency (MHz)	Doubled Frequency (MHz)	Doubled Period (ns)	Access Time (ns)	Divisor for 115,200 baud
1.8432	3.6864	271	522	4
3.6864	7.3728	136	257	8
7.3728	14.7456	68	124	16
9.216	18.432	54	97	20
11.0592	22.1184	45	79	24
12.9024	25.8048	39	67	28
14.7456	29.4912	34	57	32
18.432	36.864	27	44	40
22.1184	44.2368	23	35	48
25.8048	51.6096	19	29	56
Non-Stock Crystals				
20.2752	40.5504	25	39	44
21.1968	42.3936	24	37	46
23.04	46.08	22	33	50
23.9616	47.9232	21	32	52
24.8832	49.7664	20	30	54
26.7264	53.4528	19	27	58

APPENDIX B. RABBIT 3000 REVISIONS

Since its release, the Rabbit 3000 microprocessor has gone through one revision. The revision reflects bug fixes, improvements, and the introduction of new features. All Rabbit 3000 revisions are pin-compatible, and transparently replace previous versions of the chip.

The Rabbit 3000 has been supplied in the following versions.

1. **Original Rabbit 3000**—Available in two packages and identified by *ILIT* for the LQFP package and *IZIT* for the TFBGA package. The LQFP package began shipping in March 2002, and the TFBGA package began shipping in January 2003. There were several bugs:
 - (a) Port A decode bug—This bug is documented in TN228, *Rabbit 3000 Parallel Port F Bug*. The problem involves an incomplete address decode of the data output register for Parallel Port A. If Parallel Port A is used as an output or is used as the bidirectional bus for the slave port, then writing to any of the Parallel Port F registers will cause a spurious write to the Parallel Port A register.
 - (b) LDIR/LDDR with wait states—This bug is documented in Section 19.16. The nature of the problem is such that first iteration of LDIR/LDDR uses the correct number of wait states for both the read and the write. However, all subsequent iterations use the number of waits programmed for the memory located at the write address for both the read and the write cycles. This becomes a problem when moving a block of data from a slow memory device requiring wait states to a fast memory device requiring no wait states.
 - (c) Interrupt after I/O with Short /CSx enabled—This bug is documented in Section 7.5. When the short chip select option is enabled, the interrupt sequence will attempt to write the return address to the stack if an interrupt takes place immediately after an internal or an external I/O instruction. The chip select will be suppressed during the write cycle, and the correct return address will not be stored on the stack. This happens only when an interrupt takes place immediately after an I/O instruction when the short chip select option is enabled.
 - (d) IrDA bug—This bug is documented in TN236, *Rabbit 3000 IrDA Bug*. When configured to operate in the IrDA mode, the serial port may at times generate an extra pulse before the start bit is transmitted. This pulse may appear either before a multi-character transmission or before a single-character transmission. If the beginning of the start bit coincides with when the IrDA pulse generator output is high, there will be a spurious 1/16th-bit cell pulse on the transmit output.

2. **First revision (Rabbit 3000A)**—Available in two packages and identified by *IL2T* for the LQFP package and *IZ2T* for the TFBGA package. This version began shipping in August 2003. All the bugs in the original Rabbit 3000 were fixed. The Rabbit 3000A contains a number of new features and improvements.

- (a) A new mode of operation known as System/User mode was added. This mode provides a framework for separating application code from system-critical code, which helps prevent application code from crashing the entire device. System/User mode is described in detail in Appendix C.
- (b) The ability to write-protect 64 KB physical memory blocks was added, with the option of further protecting two of the 64 KB blocks in 4 KB segments. Attempts to write to a protected block triggers a Priority 3 write-protection interrupt.
- (c) Stack protection was added. Writing outside set stack boundaries triggers a Priority 3 stack violation interrupt.
- (d) RAM segment relocation was added. This feature allows a 1, 2, or 4 KB segment of the logical memory space to be mapped as data (or for program execution) when separate I/D space is enabled.
- (e) Secondary watchdog timer added. The secondary watchdog timer was added to function as a safety net for the periodic interrupt.
- (f) Two new opcodes were added to support multiply-and-add and multiply-and-subtract operations on large unsigned integers. These operations can be used to speed up public-key calculations.
- (g) Six new opcodes were added to support block-copy operations from I/O addresses to memory addresses and vice-versa.
- (h) The I/O address space has been expanded to 16 bits to make room for new peripherals.
- (i) Two new features were added to further expand the external I/O interface capabilities of the processor. First, an option was added to enable or disable the auxiliary I/O bus interface for a given I/O bank. If the auxiliary I/O bus is disabled for a given external I/O bank, the processor uses the memory bus for external I/O transactions. The second feature is the addition of an option for enabling hold time for external I/O read operations. The option shortens the read strobes by one clock cycle.
- (j) The low-power capability of the processor was further expanded with the addition of short chip select timing for all clock modes (except for divide-by-one mode) and for reads, writes, or both.
- (k) The PWM outputs can now trigger a PWM interrupt each cycle or every other/fourth/eighth cycle. In addition, the PWM output can be suppressed every other cycle, three out of every four cycles, or seven out of every eight cycles. These options were added to provide support for driving servos in addition to generating audio using the Rabbit 3000A.

- (l) The quadrature decoder hardware can be configured to use a 10-bit counter in place of the existing 8-bit counter.
- (m) An option was added to alternatively multiplex PWM outputs, slave chip select (/SCS), and Serial Ports E and F transmit and receive clocks on other pins.
- (n) The Schmitt trigger IC normally required for the low power 32.768 kHz oscillator circuit is now integrated inside the Rabbit 3000A.

NOTE: Based on this modification, a new low-power oscillator circuit is recommended for use with Rabbit 3000A-based systems. Please refer to TN235, *External 32.768 kHz Oscillator Circuits*, for more information on the circuit.

B.1 Discussion of Fixes and Improvements

Table B-1 lists the bug fixes, improvements, and additions for the various revisions of the Rabbit 3000.

Table B-1. Summary of Rabbit 3000 Improvements and Fixes

Description	Rabbit 3000 (IL1T/IZ1T)	Rabbit 3000A (IL2T/IZ2T)
ID Registers for version/revision identification.	X	X
System/User mode.		X
Memory protection scheme.		X
Stack protection.		X
RAM segment relocation.		X
Secondary watchdog timer.		X
Multiply-add and multiply-subtract.		X
Variants of block move opcodes.		X
16-bit internal I/O address space.		X
External I/O interface enhancements.		X
Expanded low-power capability.		X
PWM improvements.		X
Quadrature decoder improvements.		X
Integrated Schmitt trigger for 32 kHz oscillator input.		X
Alternate output port connection for numerous peripherals.		X
Port A decode bug fix.		X
LDIR/LDDR with wait states bug fix.		X
Interrupt after I/O with short /CSx enabled bug fix.		X
IrDA bug fix.		X

B.1.1 Rabbit Internal I/O Registers

Table B-2 summarizes the reset state of the new I/O registers added in the Rabbit 3000A revision. Table B-3 summarizes the reset state of the existing I/O registers with new features.

Table B-2. Reset State of New Rabbit 3000A I/O Registers

Register Name	Mnemonic	I/O Address	R/W	Reset
Secondary Watchdog Timer Register	SWDTR	0x000C	W	11111111
RAM Segment Register	RAMSR	0x0448	W	00000000
Write Protect Control Register	WPCR	0x0440	W	00000000
Stack Limit Control Register	STKCR	0x0444	W	00000000
Stack Low Limit Register	STKLLR	0x0445	W	xxxxxxxx
Stack High Limit Register	STKHLR	0x0446	W	xxxxxxxx
Write Protect Low Register	WPLR	0x0460	W	00000000
Write Protect High Register	WPHR	0x0461	W	00000000
Write Protect Segment A Register	WPSAR	0x0480	W	00000000
Write Protect Segment A Low Register	WPSALR	0x0481	W	00000000
Write Protect Segment A High Register	WPSAHR	0x0482	W	00000000
Write Protect Segment B Register	WPSBR	0x0484	W	00000000
Write Protect Segment B Low Register	WPSBLR	0x0485	W	00000000
Write Protect Segment B High Register	WPSBHR	0x0486	W	00000000
Real Time Clock User Enable Register	RTUER	0x0300	W	00000000
Slave Port User Enable Register	SPUER	0x0320	W	00000000
Parallel Port A User Enable Register	PAUER	0x0330	W	00000000
Parallel Port B User Enable Register	PBUER	0x0340	W	00000000
Parallel Port C User Enable Register	PCUER	0x0350	W	00000000
Parallel Port D User Enable Register	PDUER	0x0360	W	00000000
Parallel Port E User Enable Register	PEUER	0x0370	W	00000000
Parallel Port F User Enable Register	PFUER	0x0338	W	00000000
Parallel Port G User Enable Register	PGUER	0x0348	W	00000000
Input Capture User Enable Register	ICUER	0x0358	W	00000000
I/O Bank User Enable Register	IBUER	0x0380	W	00000000
PWM User Enable Register	PWUER	0x0388	W	00000000
Quad Decode User Enable Register	QDUER	0x0390	W	00000000

Table B-2. Reset State of New Rabbit 3000A I/O Registers (continued)

Register Name	Mnemonic	I/O Address	R/W	Reset
External Interrupt User Enable Register	IUER	0x0398	W	00000000
Timer A User Enable Register	TAUER	0x03A0	W	00000000
Timer B User Enable Register	TBUER	0x03B0	W	00000000
Serial Port A User Enable Register	SAUER	0x03C0	W	00000000
Serial Port B User Enable Register	SBUER	0x03D0	W	00000000
Serial Port C User Enable Register	SCUER	0x03E0	W	00000000
Serial Port D User Enable Register	SDUER	0x03F0	W	00000000
Serial Port E User Enable Register	SEUER	0x03C8	W	00000000
Serial Port F User Enable Register	SFUER	0x03D8	W	00000000
Enable Dual-Mode Register	EDMR	0x0420	W	00000000
Quad Decode Count1 High Register	QDC1HR	0x0095	R	xxxxxxxx
Quad Decode Count 2 High Register	QDC2HR	0x0097	R	xxxxxxxx

Table B-3. Reset State of I/O Registers Modified in Rabbit 3000A

Register Name	Mnemonic	I/O Address	R/W	Rabbit 3000 Reset	Rabbit 3000A Reset
Global Power Save Control Register	GPSCR	0x000D	W	0000x000	00000000
Global Revision Register	GREV	0x002F	R	0xx00000	0xx00001
MMU Expanded Code Register	MECR	0x0018	R/W	xxxxx000	00000000
Memory Timing Control Register	MTCR	0x0019	W	xxxx0000	00000000
Breakpoint/Debug Control Register	BDCR	0x001C	W	0xxxxxxx	00000000
I/O Bank 0 Control Register	IB0CR	0x0080	W	000000xx	00000000
I/O Bank 1 Control Register	IB1CR	0x0081	W	000000xx	00000000
I/O Bank 2 Control Register	IB2CR	0x0082	W	000000xx	00000000
I/O Bank 3 Control Register	IB3CR	0x0083	W	000000xx	00000000
I/O Bank 4 Control Register	IB4CR	0x0084	W	000000xx	00000000
I/O Bank 5 Control Register	IB5CR	0x0085	W	000000xx	00000000
I/O Bank 6 Control Register	IB6CR	0x0086	W	000000xx	00000000
I/O Bank 7 Control Register	IB7CR	0x0087	W	000000xx	00000000
PWM LSB 0 Register	PWL0R	0x0088	W	xxxxxxxx	xxxxx00x
PWM LSB 1 Register	PWL1R	0x008A	W	xxxxxxxx	xxxxx00x
PWM LSB 2 Register	PWL2R	0x008C	W	xxxxxxxx	xxxxx00x
PWM LSB 3 Register	PWL3R	0x008E	W	xxxxxxxx	xxxxx00x
Quad Decode Control Register	QDCR	0x0091	W	00xx0000	00000000

B.1.2 Peripheral and ISR Address

Table B-4. Rabbit 3000 I/O Address Ranges and Interrupt Service Vectors

On-Chip Peripheral	I/O Address Range	ISR Starting Address
System Management	0x0000–0x000F	{R[7:1], 0, 0x00}
Memory Management	0x0010–0x001F and 0x0400–0x04FF	No interrupts
Slave Port	0x0020–0x002F	{IIR[7:1], 0, 0x80}
Parallel Port A	0x0030–0x0037	No interrupts
Parallel Port F	0x0038–0x003F	No interrupts
Parallel Port B	0x0040–0x0047	No interrupts
Parallel Port G	0x0048–0x004F	No interrupts
Parallel Port C	0x0050–0x0055	No interrupts
Input Capture	0x0056–0x005F	{IIR[7:1], 1, 0xA0}
Parallel Port D	0x0060–0x006F	No interrupts
Parallel Port E	0x0070–0x007F	No interrupts
External I/O Control	0x0080–0x0087	No interrupts
Pulse Width Modulator	0x0088–0x008F	No interrupts
Quadrature Decoder	0x0090–0x0097	{IIR[7:1], 1, 0x90}
External Interrupts	0x0098–0x009F	INT0 {EIR, 0x00} INT1 {EIR, 0x10}
Timer A	0x00A0–0x00AF	{IIR[7:1], 0, 0xA0}
Timer B	0x00B0–0x00BF	{IIR[7:1], 0, 0xB0}
Serial Port A (async/cks)	0x00C0–0x00C7	{IIR[7:1], 0, 0xC0}
Serial Port E (async/HDLC)	0x00C8–0x00CF	{IIR[7:1], 1, 0xC0}
Serial Port B (async/cks)	0x00D0–0x00D7	{IIR[7:1], 0, 0xD0}
Serial Port F (async/HDLC)	0x00D8–0x00DF	{IIR[7:1], 1, 0xD0}
Serial Port C (async/cks)	0x00E0–0x00E7	{IIR[7:1], 0, 0xE0}
Serial Port D (async/cks)	0x00F0–0x00F7	{IIR[7:1], 0, 0xF0}
RST 10 instruction	n/a	{IIR[7:1], 0, 0x20}
RST 18 instruction	n/a	{IIR[7:1], 0, 0x30}
RST 20 instruction	n/a	{IIR[7:1], 0, 0x40}
RST 28 instruction	n/a	{IIR[7:1], 0, 0x50}

**Table B-4. Rabbit 3000 I/O Address Ranges
and Interrupt Service Vectors (continued) (continued)**

On-Chip Peripheral	I/O Address Range	ISR Starting Address
SYSCALL instruction	n/a	{IIR[7:1], 0, 0x60}
RST 38 instruction	n/a	{IIR[7:1], 0, 0x70}
Secondary Watchdog	0x000C	{IIR[7:1], 0, 0x10}
Stack Limit Violation	n/a	{IIR[7:1], 1, 0xB0}
Write Protection Violation	n/a	{IIR[7:1], 0, 0x90}
System Mode Violation	n/a	{IIR[7:1], 1, 0x80}

B.1.3 Revision-Level ID Register

Two read-only registers are provided to allow software to identify the Rabbit microprocessor and recognize the features and capabilities of the chip. Five bits in each of these registers are unique to each version of the chip. One register identifies the CPU (GCPU), and the other register is reserved for revision identification (GREV). The CPU identification (GCPU) of all revisions of the Rabbit 3000 microprocessor is the same. Rabbit 3000 revisions are differentiated by the value in the GREV register.

Table B-5 summarizes the processor identification information for the different Rabbit 3000 versions.

Table B-5. Rabbit 3000 Revision Identification Information

Processor Revision	Package Identifier	GCPU [4:0]	GREV [4:0]
Rabbit 3000	IL1T, IZ1T	00001	00000
Rabbit 3000A	IL2T, IZ2T	00001	00001

B.1.4 System/User Mode

By default, all of the hardware is accessible by the programmer. However, if a control bit in the Enable Dual Mode Register (EDMR) is set to one, two operating modes, System and User, become available. The System mode is just like the normal operating mode, but the User mode restricts program access to the hardware and to the System mode. Individual peripherals may be enabled for User mode access in the User Enable registers listed below. When enabled for User mode access, a peripheral interrupt (if it is capable of generating an interrupt) can only be requested at interrupt priority level -2 or -1, and it is assumed that the interrupt service routine will be executed by User mode code. Note that the processor automatically enters the System mode when entering the ISR area in response to an interrupt, and the User mode must be specifically entered before continuing with the interrupt service routine. The System/User mode is discussed in great detail in Appendix C.

B.1.5 Memory Protection

The ability to inhibit writes to physical memory was added. The sixteen 64 KB physical memory blocks can be individually protected, and two of those blocks can additionally be subdivided and protected at a granularity of 4 KB. When a write is attempted, a new Priority 3 write-protection interrupt request is generated.

The write-protection can be enabled for the User mode only or for all modes (see Appendix C for more information).

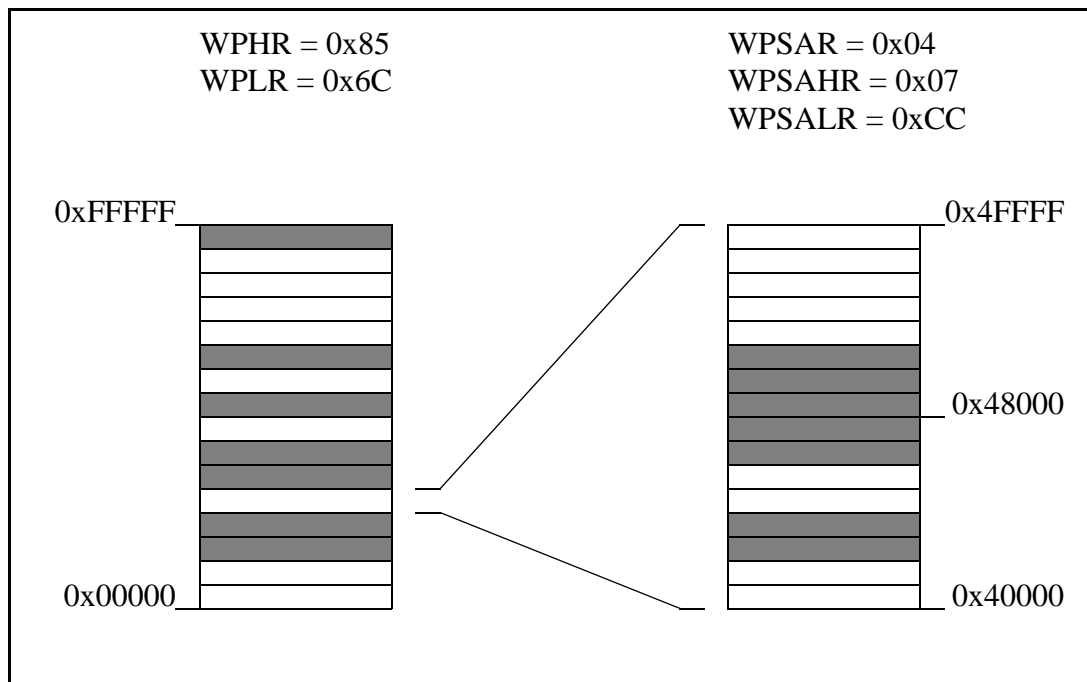


Figure B-1. Sample Memory Protection Layout

The new memory-protection registers are listed in Table B-6 through Table B-11.

Table B-6. Write Protect Control Register

Write Protect Control Register		(WPCR)	(Address = 0x0440)
Bit(s)	Value	Description	
7:1		These bits are reserved and should be written with zeros.	
0	0	write-protection in User mode only.	
	1	write-protection in System and User modes.	

Table B-7. Write Protect Low Register

Write Protect Low Register		(WPLR)	(Address = 0x0460)
Bit(s)	Value	Description	
7	0	Disable 64K write-protect for physical address 0x70000–0x7FFFF.	
	1	Enable 64K write-protect for physical address 0x70000–0x7FFFF.	
6	0	Disable 64K write-protect for physical address 0x60000–0x6FFFF.	
	1	Enable 64K write-protect for physical address 0x60000–0x6FFFF.	
5	0	Disable 64K write-protect for physical address 0x50000–0x5FFFF.	
	1	Enable 64K write-protect for physical address 0x50000–0x5FFFF.	
4	0	Disable 64K write-protect for physical address 0x40000–0x4FFFF.	
	1	Enable 64K write-protect for physical address 0x40000–0x4FFFF.	
3	0	Disable 64K write-protect for physical address 0x30000–0x3FFFF.	
	1	Enable 64K write-protect for physical address 0x30000–0x3FFFF.	
2	0	Disable 64K write-protect for physical address 0x20000–0x2FFFF.	
	1	Enable 64K write-protect for physical address 0x20000–0x2FFFF.	
1	0	Disable 64K write-protect for physical address 0x10000–0x1FFFF.	
	1	Enable 64K write-protect for physical address 0x10000–0x1FFFF.	
0	0	Disable 64K write-protect for physical address 0x00000–0x0FFFF.	
	1	Enable 64K write-protect for physical address 0x00000–0x0FFFF.	

Table B-8. Write Protect High Register

Write Protect High Register		(WPHR)	(Address = 0x0461)
Bit(s)	Value	Description	
7	0	Disable 64K write-protect for physical address 0xF0000–0xFFFFF.	
	1	Enable 64K write-protect for physical address 0xF0000–0xFFFFF.	
6	0	Disable 64K write-protect for physical address 0xE0000–0xEFFFF.	
	1	Enable 64K write-protect for physical address 0xE0000–0xEFFFF.	
5	0	Disable 64K write-protect for physical address 0xD0000–0xDFFFF.	
	1	Enable 64K write-protect for physical address 0xD0000–0xDFFFF.	
4	0	Disable 64K write-protect for physical address 0xC0000–0xCFFFF.	
	1	Enable 64K write-protect for physical address 0xC0000–0xCFFFF.	
3	0	Disable 64K write-protect for physical address 0xB0000–0xBFFFF.	
	1	Enable 64K write-protect for physical address 0xB0000–0xBFFFF.	
2	0	Disable 64K write-protect for physical address 0xA0000–0xAFFFF.	
	1	Enable 64K write-protect for physical address 0xA0000–0xAFFFF.	
1	0	Disable 64K write-protect for physical address 0x90000–0x9FFFF.	
	1	Enable 64K write-protect for physical address 0x90000–0x9FFFF.	
0	0	Disable 64K write-protect for physical address 0x80000–0x8FFFF.	
	1	Enable 64K write-protect for physical address 0x80000–0x8FFFF.	

Table B-9. Write Protect Segment x Register

Write Protect Segment x Register		(WPSAR)	(Address = 0x0480)
		(WPSBR)	(Address = 0x0484)
Bit(s)	Value	Description	
7:4		These bits are reserved and should be written with all zeros.	
3:0		When these four bits match bits [19:16] of the physical address, write-protect that 64K range in 4K increments using WPSxLR and WPSxHR.	

Table B-10. Write Protect Segment x Low Register

Write Protect Segment x Low Register		(WPSALR) (WPSBLR)	(Address = 0x0481) (Address = 0x0485)
Bit(s)	Value	Description	
7	0	Disable 4K write-protect for address offset 0x7000–0x7FFF in WP Segment x	
	1	Enable 4K write-protect for address offset 0x7000–0x7FFF in WP Segment x	
6	0	Disable 4K write-protect for address offset 0x6000–0x6FFF in WP Segment x	
	1	Enable 4K write-protect for address offset 0x6000–0x6FFF in WP Segment x	
5	0	Disable 4K write-protect for address offset 0x5000–0x5FFF in WP Segment x	
	1	Enable 4K write-protect for address offset 0x5000–0x5FFF in WP Segment x	
4	0	Disable 4K write-protect for address offset 0x4000–0x4FFF in WP Segment x	
	1	Enable 4K write-protect for address offset 0x4000–0x4FFF in WP Segment x	
3	0	Disable 4K write-protect for address offset 0x3000–0x3FFF in WP Segment x	
	1	Enable 4K write-protect for address offset 0x3000–0x3FFF in WP Segment x	
2	0	Disable 4K write-protect for address offset 0x2000–0x2FFF in WP Segment x	
	1	Enable 4K write-protect for address offset 0x2000–0x2FFF in WP Segment x	
1	0	Disable 4K write-protect for address offset 0x1000–0x1FFF in WP Segment x	
	1	Enable 4K write-protect for address offset 0x1000–0x1FFF in WP Segment x	
0	0	Disable 4K write-protect for address offset 0x0000–0x0FFF in WP Segment x	
	1	Enable 4K write-protect for address offset 0x0000–0x0FFF in WP Segment x	

Table B-11. Write Protect Segment x High Register

Write Protect Segment x High Register		(WPSAHR)	(Address = 0x0482)
		(WPSBHR)	(Address = 0x0486)
Bit(s)	Value	Description	
7	0	Disable 4K write-protect for address offset 0xF000–0xFFFF in WP Segment x	
	1	Enable 4K write-protect for address offset 0xF000–0xFFFF in WP Segment x	
6	0	Disable 4K write-protect for address offset 0xE000–0xEFFF in WP Segment x	
	1	Enable 4K write-protect for address offset 0xE000–0xEFFF in WP Segment x	
5	0	Disable 4K write-protect for address offset 0xD000–0xDFFF in WP Segment x	
	1	Enable 4K write-protect for address offset 0xD000–0xDFFF in WP Segment x	
4	0	Disable 4K write-protect for address offset 0xC000–0xCFFF in WP Segment x	
	1	Enable 4K write-protect for address offset 0xC000–0xCFFF in WP Segment x	
3	0	Disable 4K write-protect for address offset 0xB000–0xBFFF in WP Segment x	
	1	Enable 4K write-protect for address offset 0xB000–0xBFFF in WP Segment x	
2	0	Disable 4K write-protect for address offset 0xA000–0xAFFF in WP Segment x	
	1	Enable 4K write-protect for address offset 0xA000–0xAFFF in WP Segment x	
1	0	Disable 4K write-protect for address offset 0x9000–0x9FFF in WP Segment x	
	1	Enable 4K write-protect for address offset 0x9000–0x9FFF in WP Segment x	
0	0	Disable 4K write-protect for address offset 0x8000–0x8FFF in WP Segment x	
	1	Enable 4K write-protect for address offset 0x8000–0x8FFF in WP Segment x	

B.1.6 Stack Protection

Stack overflow and underflow can now be detected. Low and high stack limits can be set on 256-byte boundaries. When a stack-relative memory access occurs within 16 bytes of these limits (or outside of them), a new Priority 3 stack violation interrupt occurs. The 16-byte buffer exists to allow stack protection even if the stack is placed against a memory segment boundary.

Figure B-2 shows one possible stack layout. A 2048-byte stack is set up by setting STKHLR to 0xE0, STKLLR to 0xD8, and SP to 0xDFF0. Any stack-relative memory accesses above 0xDFEF (i.e., stack underflow) or below 0xD810 (i.e., overflow) would trigger the stack violation interrupt.

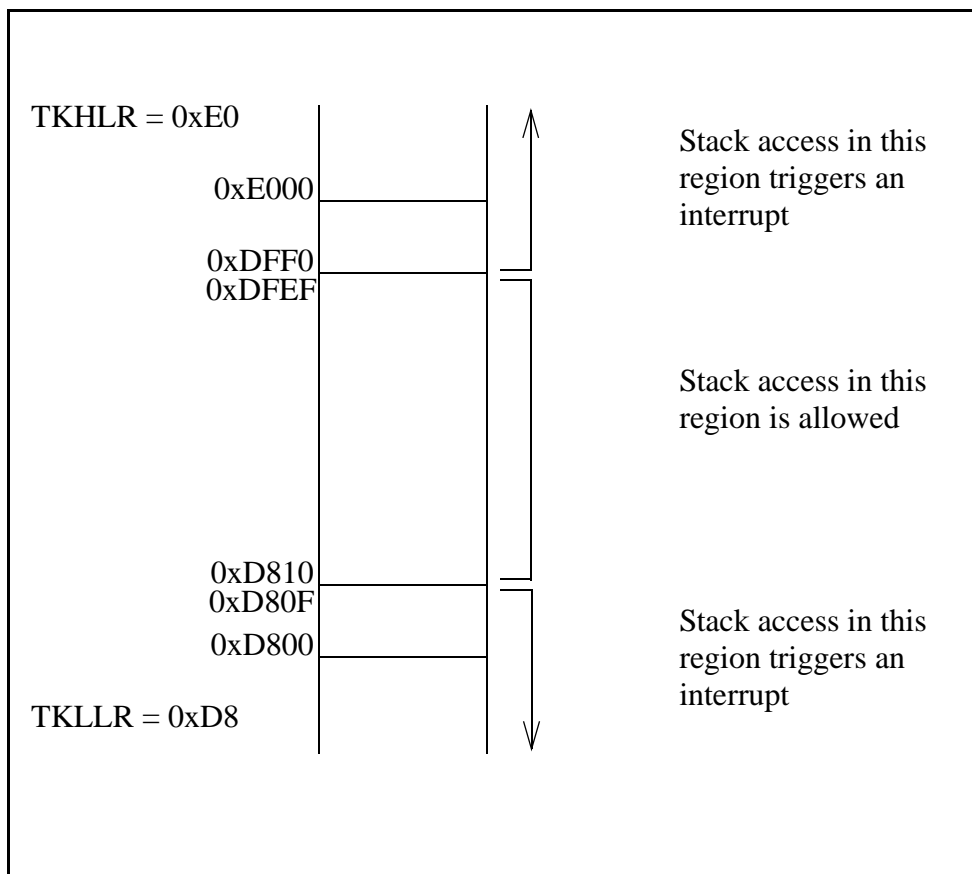


Figure B-2. Simple Stack Protection Layout

The stack protection registers are listed in Table B-12, Table B-13, and Table B-14.

Table B-12. Stack Limit Control Register

Stack Limit Control Register (STKCR) (Address = 0x0444)		
Bit(s)	Value	Description
7:1		These bits are reserved and should be written with zeros.
0	0	Disable stack-limit checking.
	1	Enable stack-limit checking.

Table B-13. Stack Low Limit Register

Stack Low Limit Register (STKLLR) (Address = 0x0445)		
Bit(s)	Value	Description
7:0		Lower limit for stack limit checking. If a stack operation or stack-relative memory access is attempted at an address less than {STKLLR, 0x10} a stack limit violation interrupt is generated.

Table B-14. Stack High Limit Register

Stack High Limit Register (STKHRLR) (Address = 0x0446)		
Bit(s)	Value	Description
7:0		Upper limit for stack limit checking. If a stack operation or stack-relative memory access is attempted at an address greater than {STKHRLR, 0x0EF} a stack limit violation interrupt is generated.

B.1.7 RAM Segment Relocation

Normally when instruction/data separation is enabled, instructions are stored in flash memory and data are stored in RAM memory. This can present a problem for the Interrupt Service Routine area, which often requires run-time modification. The RAM Segment Register (RAMSR) allows a 1, 2, or 4 KB segment of the logical memory space to be mapped as data would be mapped, even for program execution.

Table B-15. RAM Segment Register

RAM Segment Register		(RAMSR)	(Address = 0x0448)
Bit(s)	Value	Description	
7:2		Compare value for RAM segment limit checking.	
1:0	00	Disable RAM segment limit checking.	
	01	Select data-type MMU translation if PC[15:10] is equal to RAMSR[7:2].	
	10	Select data-type MMU translation if PC[15:11] is equal to RAMSR[7:3].	
	11	Select data-type MMU translation if PC[15:12] is equal to RAMSR[7:4].	

B.1.8 Secondary Watchdog Timer

The secondary watchdog timer (SWDT) is an eight-bit modulo $n + 1$ counter clocked by the 32.768 kHz clock. The timer is off by default, and is enabled by writing a 0x5F to the WDTCR. The secondary watchdog timer register (SWDTR) holds the time constant value. Depending on the value loaded into the SWDTR, the timer can request an interrupt anywhere from 30.5 μ s to 7.8 ms. If a 0x5F is written to the WDTCR prior to end of the countdown period, the timer will not request an interrupt. If the counter counts down to zero, a level-3 interrupt is generated. The SWDT is intended as a safety net for the periodic interrupt, and would normally be restarted in the service routine for the periodic interrupt. Although the hardware was intended to primarily be used by an operating system when the System/User mode is enabled, it can be used as a configurable periodic interrupt as well.

Table B-16. Watchdog Timer Control Register—Updated

Watchdog Timer Control Register (WDTCR)		Address = 0x0008)
Bit(s)	Value	Description
7:0	0x5A	Restart the watchdog timer, with a 2-second time-out period.
	0x57	Restart the watchdog timer, with a 1-second time-out period.
	0x59	Restart the watchdog timer, with a 500 ms time-out period.
	0x53	Restart the watchdog timer, with a 250 ms time-out period.
	0x5F	Restart the secondary watchdog timer.
	other	No effect on watchdog timer or secondary watchdog timer.

Table B-17. Secondary Watchdog Timer Register

Secondary Watchdog Timer Register (SWDTR)		(Address = 0x000C)
Bit(s)	Value	Description
7:0		The time constant for the secondary watchdog timer is stored. This time constant will take effect the next time that the secondary watchdog counter counts down to zero. The timer counts modulo $n + 1$, where n is the programmed time constant. The secondary watchdog can be disabled by writing the sequence 0x5A-0x52-0x44 to this register.

B.1.9 New Opcodes

Eight new opcodes were added to the Rabbit 3000A. UMA and UMS allow multiply-and-add and multiply-and-subtract operations on large integers, and were added to speed up common cryptographic math used in public-key calculations. The remaining six expand the block copy operations available, especially to and from I/O addresses (internal and external). These opcodes are listed in Table B-18.

Table B-18. New Rabbit 3000 Opcodes

Instruction	Bytes	Clks	A	I	S	Z	V	C	Operation
UMA	2	8+8i		-	-	-	-	*	{CY:DE':(HL) = (IX) + [(IY) * DE + DE' + CY]; BC = BC-1; IX = IX+1; IY = IY+1; HL = HL+1; repeat while BC !=0
UMS	2	8+8i		-	-	-	-	*	{CY:DE:(HL) = (IX) - [(IY) * DE + DE' + CY]; BC = BC-1; IX = IX+1; IY = IY+1; HL = HL+1; repeat while BC !=0
LDDSR	2	6+7i		d	-	-	*	-	(DE) = (HL); BC = BC - 1; HL = HL - 1; repeat while BC != 0
LDISR	2	6+7i		d	-	-	*	-	(DE) = (HL); BC = BC - 1; HL = HL + 1; repeat while BC != 0
LSDR	2	6+7i		s	-	-	*	-	(DE) = (HL); BC = BC - 1; DE = DE - 1; HL = HL - 1; repeat while BC != 0
LSIR	2	6+7i		s	-	-	*	-	(DE) = (HL); BC = BC - 1; DE = DE + 1; HL = HL + 1; repeat while BC != 0
LSDDR	2	6+7i		s	-	-	*	-	(DE) = (HL); BC = BC - 1; DE = DE - 1; repeat while BC != 0
LSIDR	2	6+7i		s	-	-	*	-	(DE) = (HL); BC = BC - 1; DE = DE + 1; repeat while BC != 0

B.1.9.1 New UMA/UMS Opcodes

The new **UMA** and **UMS** opcodes perform the following operation:

$$\{CY:DE':(HL)\} = (IX) \pm [(IY) * DE + DE' + CY];$$

where HL, IX, and IY increment after each byte, repeated BC times. This fundamental operation allows the addition or subtraction of two arbitrarily-long unsigned integers after one is scaled by a single-byte value. This operation is common in many cryptographic operations.

B.1.9.2 New Block Copy Opcodes

The LDxR family of block move opcodes has been expanded. In the Rabbit 3000 processor, block copy operations could only be done between memory addresses, or from memory to an I/O address. In addition, the destination I/O address would increment (or decrement if using LDDR) after each byte, making the block copy opcodes effectively useless for repeated reads or writes to a peripheral (for example, a device on the external I/P bus).

Six new block copy opcodes were added to the Rabbit 3000 revision. These opcodes can copy from an I/O address as well as to one, and either the source or destination address can remain fixed instead of changing after each byte. The new opcodes are described in Table B-19.

Table B-19. Rabbit 3000 Revision Block Copy Opcode Effects

Opcode	Source Address Change	Destination Address Change	IO/IOE Affects
LDDR	-	-	destination
LDIR	+	+	destination
LDDSR	-	none	destination
LDISR	+	none	destination
LSDR	-	-	source
LSIR	+	+	source
LSDDR	none	-	source
LSIDR	none	+	source

B.1.10 Expanded I/O Memory Addressing

In the Rabbit 3000, only the lower 8 bits of an I/O address were decoded. To provide room for new peripherals, this was expanded to 16 bits. To ensure backwards compatibility, the processor always comes up in 8-bit I/O address mode; the 16-bit I/O address mode needs to be enabled in the MMIDR register by setting bit 7 to 1.

The updated MMIDR register is listed in Table B-20.

NOTE: Bits 7 was always written with a zero in the original Rabbit 3000 chip.

Table B-20. MMU Instruction/Data Register

MMU Instruction/Data Register (MMIDR) (Address = 0x010)		
Bit(s)	Value	Description
7	0	8-bit internal I/O addresses (address range 0x0000–0x00FF).
	1	15-bit internal I/O addresses (address range 0x0000–0x7FFF, required to access internal I/O addresses of 0x0100 and higher).
6	0	This bit is ignored and will always return zero when read.
5	0	Enable A16 and A19 inversion independent of instruction/data.
	1	Enable A16 and A19 inversion (controlled by bits 0-3) for data accesses only. This enables the instruction/data split for the separate I and D space.
4	0	Normal /CS1 operation.
	1	Force /CS1 always active. This will not cause any conflicts as long as the memory using /CS1 does not also share an Output Enable or Write Enable with another memory.
3	0	Normal operation.
	1	For a DATASEG access, invert A19 before MBxCR (bank select) decision.
2	0	Normal operation.
	1	For a DATASEG access: invert A16
1	0	Normal operation.
	1	For root access, invert A19 before MBxCR (bank select) decision.
0	0	Normal operation.
	1	For root access, invert A16

B.1.11 External I/O Improvements

Three new features have been added to the external I/O strobes: the ability to invert the strobe signal, the ability to shorten a read strobe by one clock, and the ability to direct a strobe to either the alternate I/O bus (if enabled) or the memory bus.

The new control bits for the external I/O strobes are listed in Table B-21.

NOTE: Bits [1:0] were always written with zero in the original Rabbit 3000 chip.

Table B-21. I/O Bank x Control Register

I/O Bank x Control Register		
		(IB0CR) (Address = 0x0080)
		(IB1CR) (Address = 0x0081)
		(IB2CR) (Address = 0x0082)
		(IB3CR) (Address = 0x0083)
		(IB4CR) (Address = 0x0084)
		(IB5CR) (Address = 0x0085)
		(IB6CR) (Address = 0x0086)
		(IB7CR) (Address = 0x0087)
Bit(s)	Value	Description
7:6	00	Fifteen wait states for accesses in this bank.
	01	Seven wait states for accesses in this bank.
	10	Three wait states for accesses in this bank.
	11	One wait state for accesses in this bank.
5:4	00	The Ix signal is an I/O chip select.
	01	The Ix signal is an I/O read strobe.
	10	The Ix signal is an I/O write strobe.
	11	The Ix signal is an I/O data (read or write) strobe.
3	0	Writes are not allowed to this bank. Transactions are normal in every other way; only the write strobe is inhibited.
	1	Writes are allowed to this bank.
2	0	Active-Low Ix signal.
	1	Inverted (active-High) Ix.
1	0	Normal I/O Transaction timing.
	1	Shorten read strobe by one clock cycle. Transaction length remains the same.
0	0	Use I/O bus if enabled.
	1	Always use memory data bus.

B.1.12 Short Chip Select Timing for Writes

The Rabbit 3000 provided the ability to produce shorter chip select strobes for reads when in a reduced-speed mode. A new feature has been added to produce short chip select strobes for writes as well, and can be controlled by the GPCSR register.

The new control bit for the short chip selects are listed in Table B-22.

NOTE: Bit 3 was always written with zero in the original Rabbit 3000 chip.

Table B-22. Global Power Save Control Register

Global Power Save Control Register (GPSCR) (Address = 0x000D)		
Bit(s)	Value	Description
7:5	000	Self-timed chip selects are disabled.
	001	This bit combination is reserved and should not be used.
	010	This bit combination is reserved and should not be used.
	011	This bit combination is reserved and should not be used.
	100	296 ns self-timed chip selects (192 ns best case, 457 ns worst case).
	101	234 ns self-timed chip selects (151 ns best case, 360 ns worst case).
	110	171 ns self-timed chip selects (111 ns best case, 264 ns worst case).
	111	109 ns self-timed chip selects (71 ns best case, 168 ns worst case).
4	0	Normal Chip Select timing for read cycles.
	1	Short Chip Select timing for read cycles (not available in full speed).
3	0	Normal Chip Select timing for write cycles
	1	Short Chip Select timing for write cycles (not available in full speed).
2:0	000	The 32 kHz clock divider is disabled.
	001	This bit combination is reserved and should not be used.
	010	This bit combination is reserved and should not be used.
	011	This bit combination is reserved and should not be used.
	100	32 kHz oscillator divided by two (16.384 kHz).
	101	32 kHz oscillator divided by four (8.192 kHz).
	110	32 kHz oscillator divided by eight (4.096 kHz).
	111	32 kHz oscillator divided by sixteen (2.048 kHz).

B.1.12.1 Clock Select and Power Save Modes

Table B-24 outlines the power save modes available in the Rabbit 3000A. The GCSR is shown in Table B-23 for reference.

Table B-23. Global Control/Status Register

Global Control/Status Register (GCSR) (Address = 0x00)		
Bit(s)	Value	Description
7:6 (rd-only)	00	No reset or watchdog timer time-out since the last read.
	01	The watchdog timer timed out. These bits are cleared by a read of this register.
	10	This bit combination is not possible.
	11	Reset occurred. These bits are cleared by a read of this register.
5	0	No effect on the periodic interrupt. This bit will always be read as zero.
	1	Force a periodic interrupt to be pending.
4:2	xxx	See table below for decode of this field.
1:0	00	Periodic interrupts are disabled.
	01	Periodic interrupts use Interrupt Priority 1.
	10	Periodic interrupts use Interrupt Priority 2.
	11	Periodic interrupts use Interrupt Priority 3.

Table B-24. Clock Select Field of GCSR

Clock Select Bits 4:2 GCSR	CPU Clock	Peripheral Clock	Main Oscillator	Power-Save CS if Enabled by GPSCR
000	osc/8	osc/8	on	short CS option
001	osc/8	osc	on	short CS option
010	osc	osc	on	none
011	osc/2	osc/2	on	short CS option
100	32 kHz or fraction	32 kHz or fraction	on	self-timed option short CS option
101	32 kHz or fraction	32KHz or fraction	off	self-timed option short CS option
110	osc/4	osc/4	on	short CS option
111	osc/6	osc/6	on	short CS option

B.1.12.2 Short Chip Select Timing

When short chip selects are enabled for read cycles, the chip select signals are active only for the last part of the bus cycle. Wait states are inserted between T1 and T2, so this will have no effect on the duration of the chip select signals in this mode. The timing diagrams below illustrate the actual timing for the different divided cases. In these cases the chip selects are two clock cycles (of the fast oscillator) long.

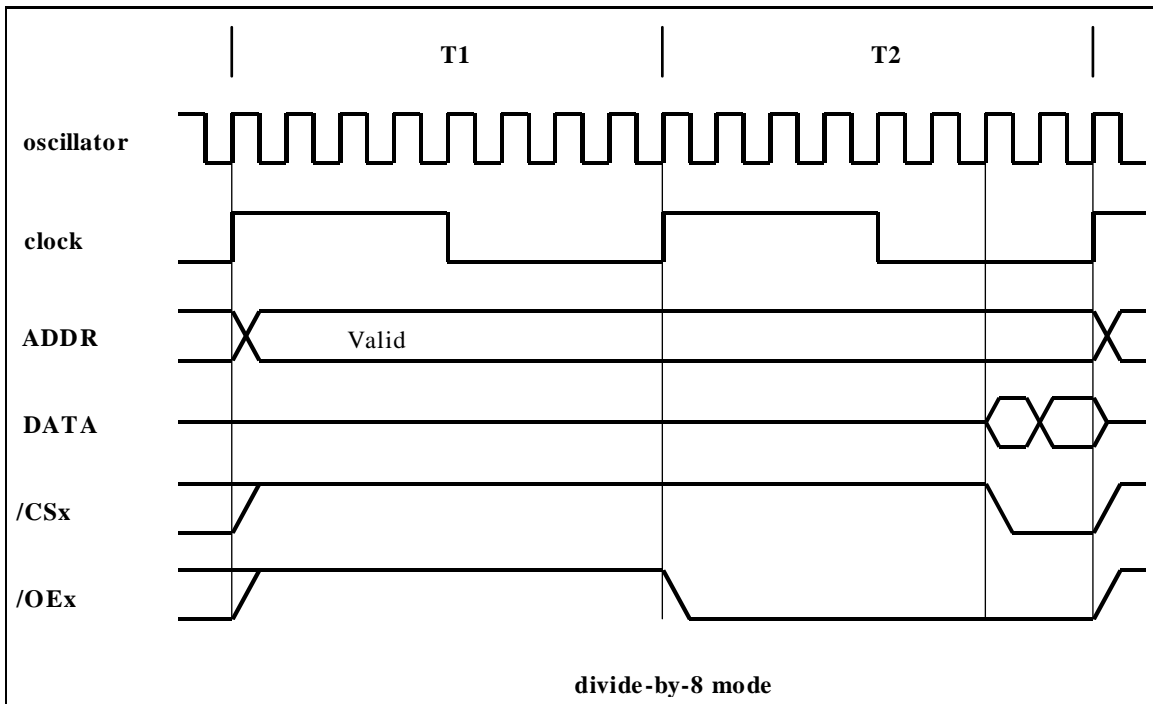


Figure B-3. Short Chip Select Timing: CLK/8, Read Operation

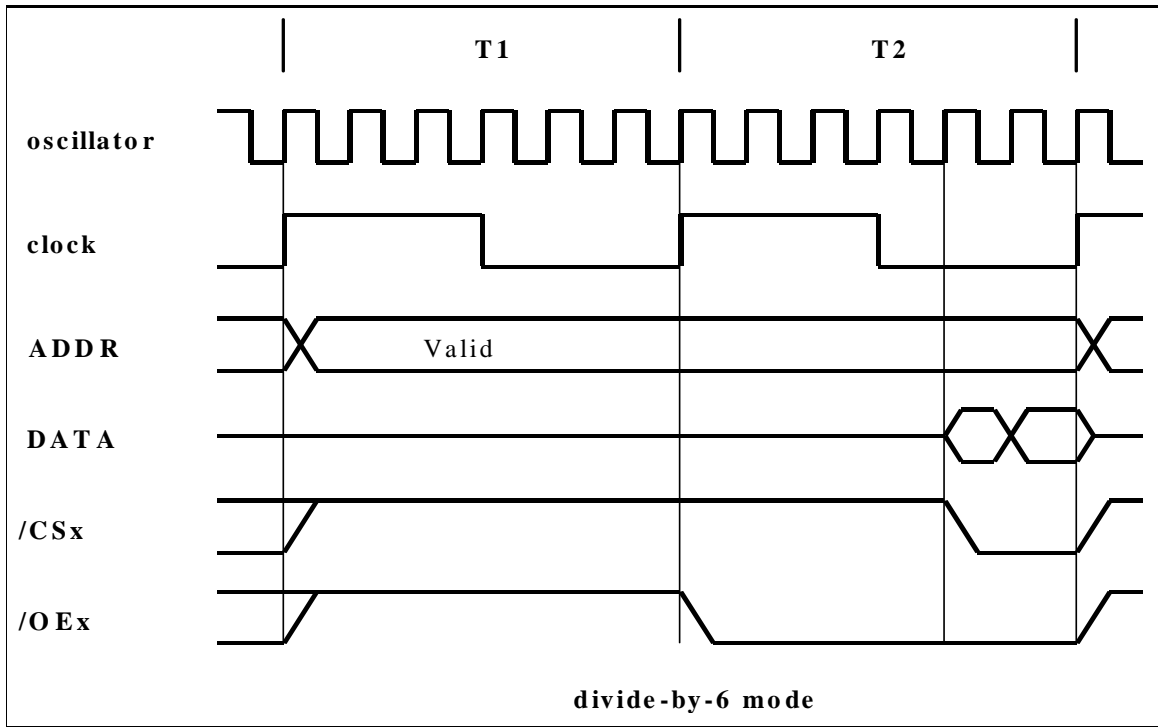


Figure B-4. Short Chip Select Timing: CLK/6, Read Operation

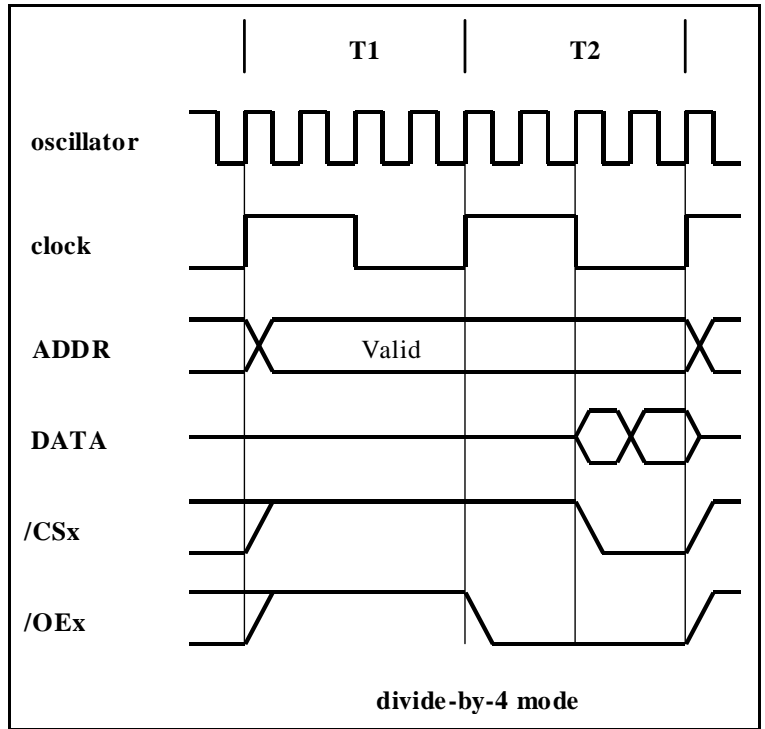


Figure B-5. Short Chip Select Timing: CLK/4, Read Operation

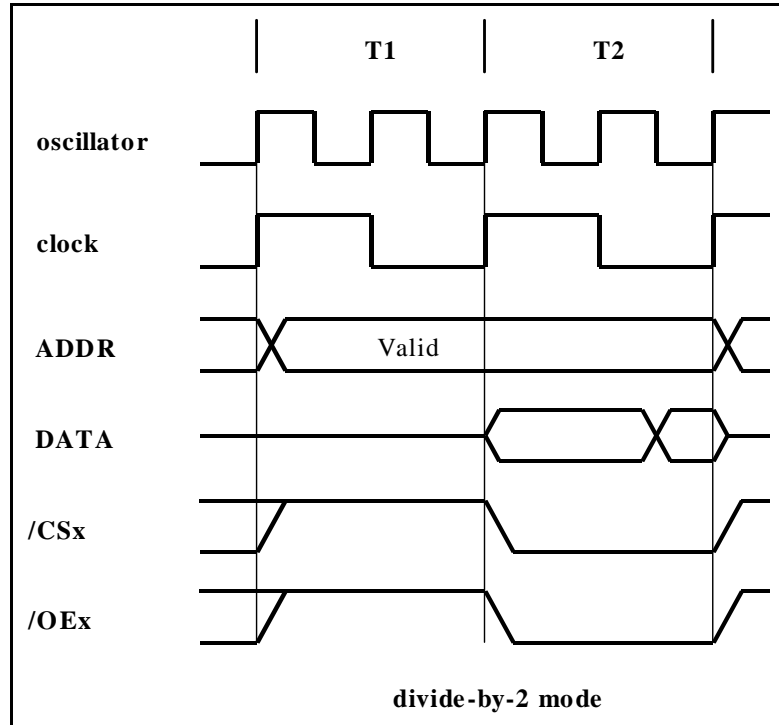


Figure B-6. Short Chip Select Timing: CLK/2, Read Operation

When operating from the 32 kHz oscillator, the same options are available, but the timing is somewhat different. This is illustrated in the diagrams below for the four different cases. In these case the chip selects are one clock cycle (of the 32 kHz clock) long.

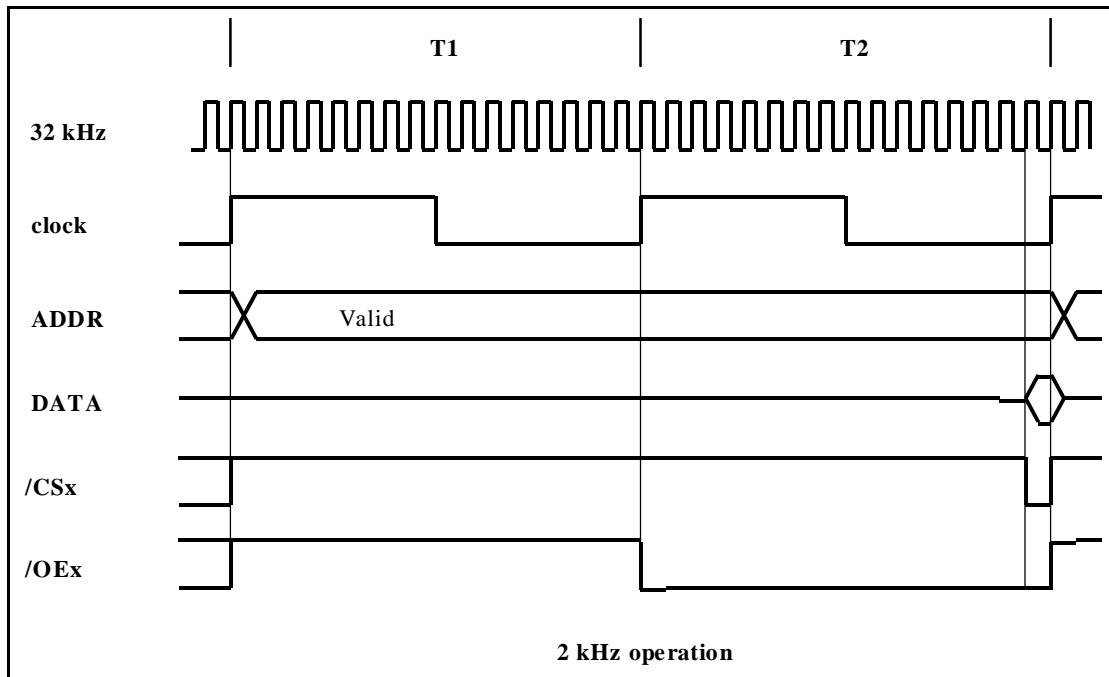


Figure B-7. Short Chip Select Timing: 2 kHz, Read Operation

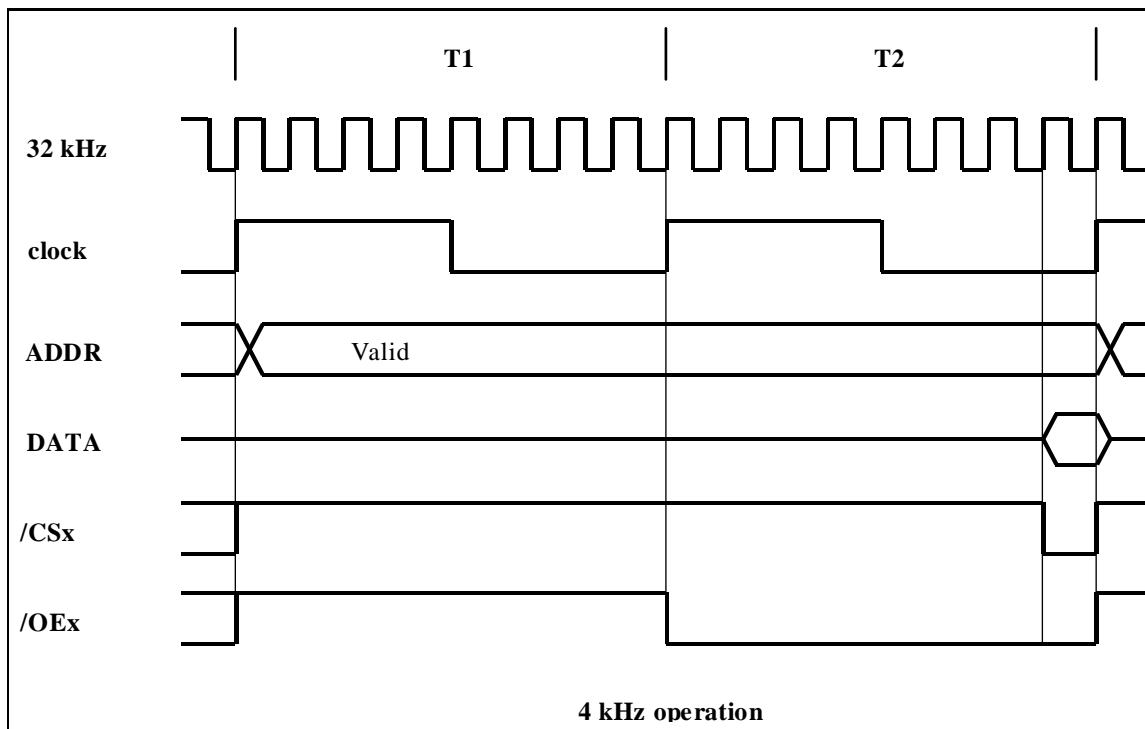


Figure B-8. Short Chip Select Timing: 4 kHz, Read Operation

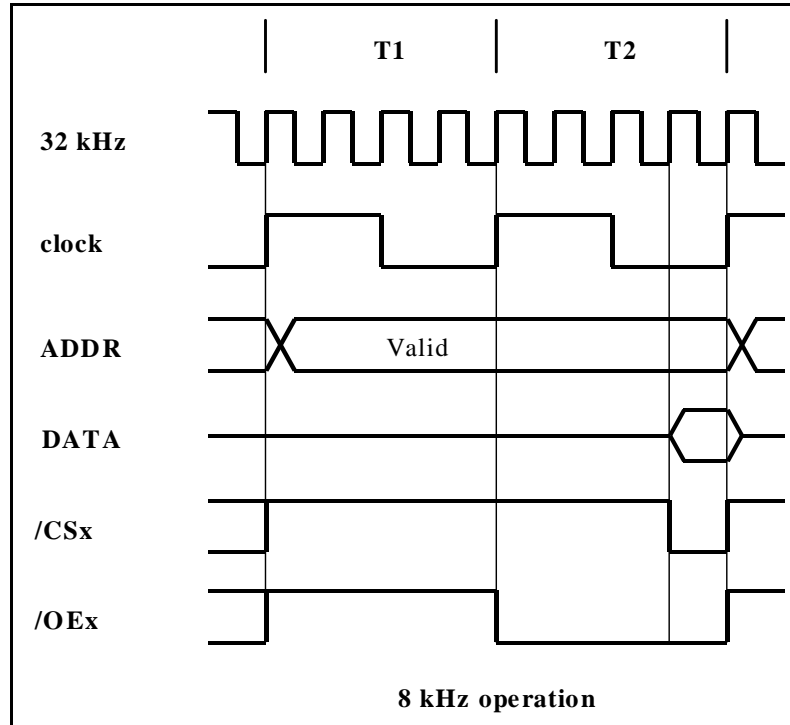


Figure B-9. Short Chip Select Timing: 8 kHz, Read Operation

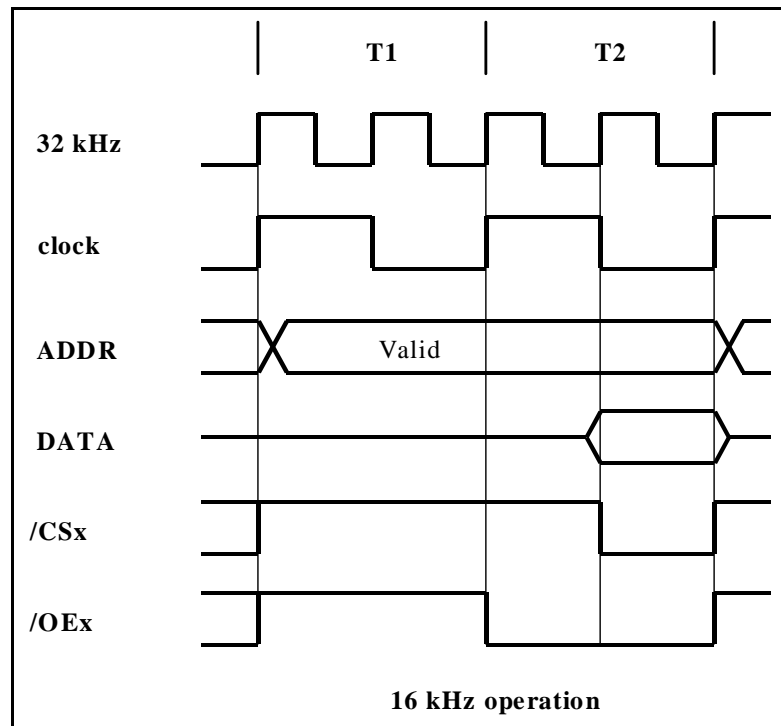


Figure B-10. Short Chip Select Timing: 16 kHz, Read Operation

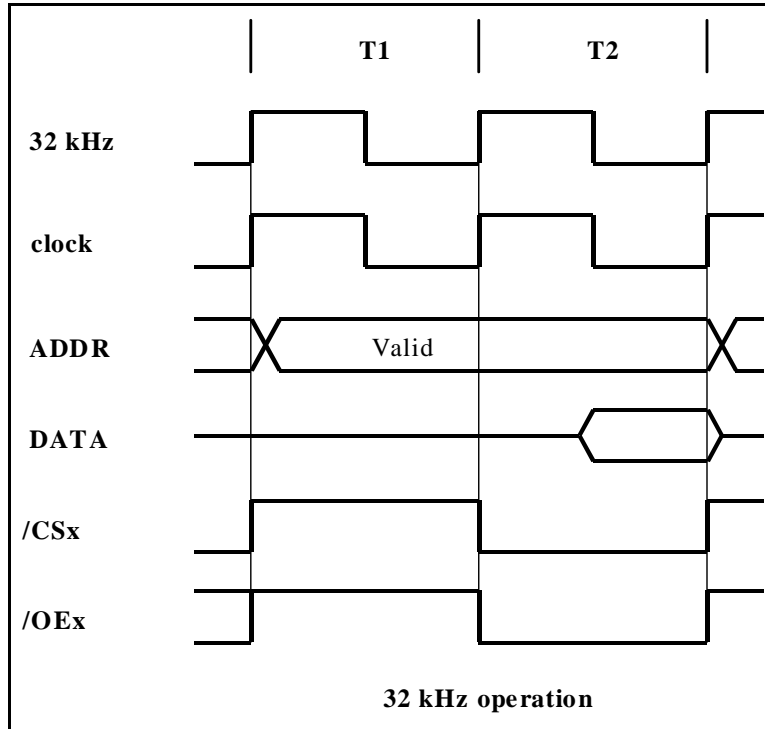


Figure B-11. Short Chip Select Timing: 32 kHz, Read Operation

In the case of write cycles, the chip select signals are active only around the trailing edge of the write signal. Wait states are inserted between T1 and T2, and this will have no effect on the duration of the chip select signals in this mode. The timing diagrams below illustrate the actual timing for the different divided cases. In these cases the chip selects are active for two clock cycles before and two clock cycles after the trailing edge of the write signal.

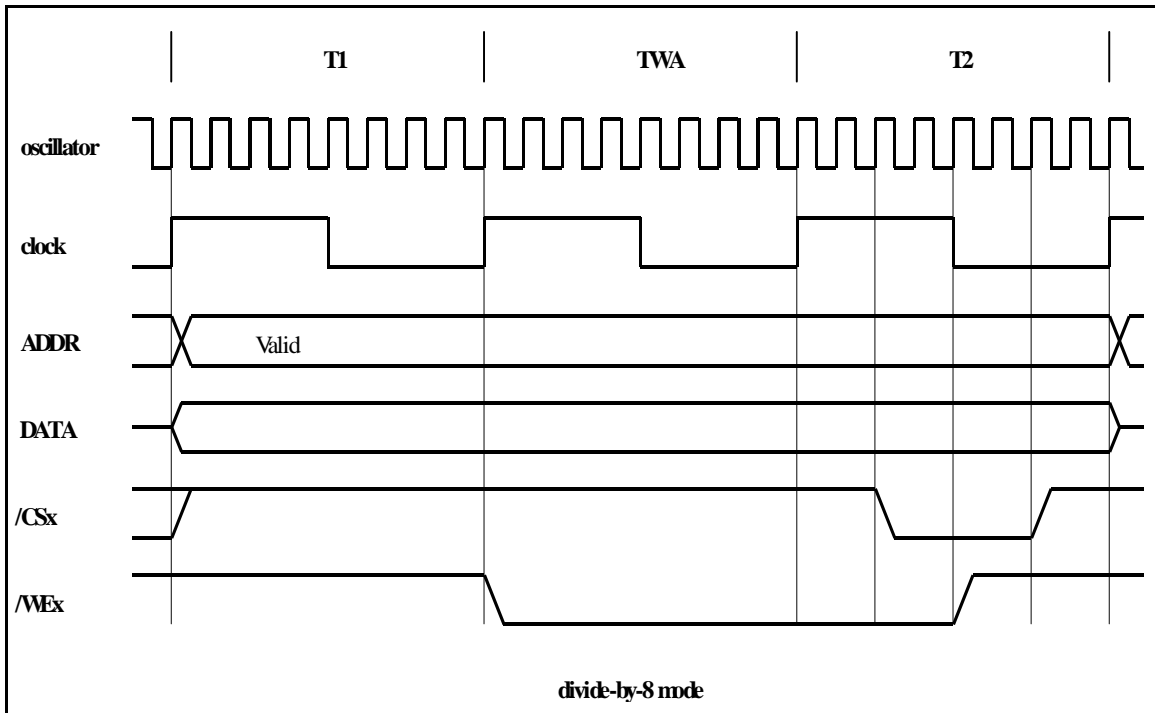


Figure B-12. Short Chip Select Timing: CLK/8, Write Operation

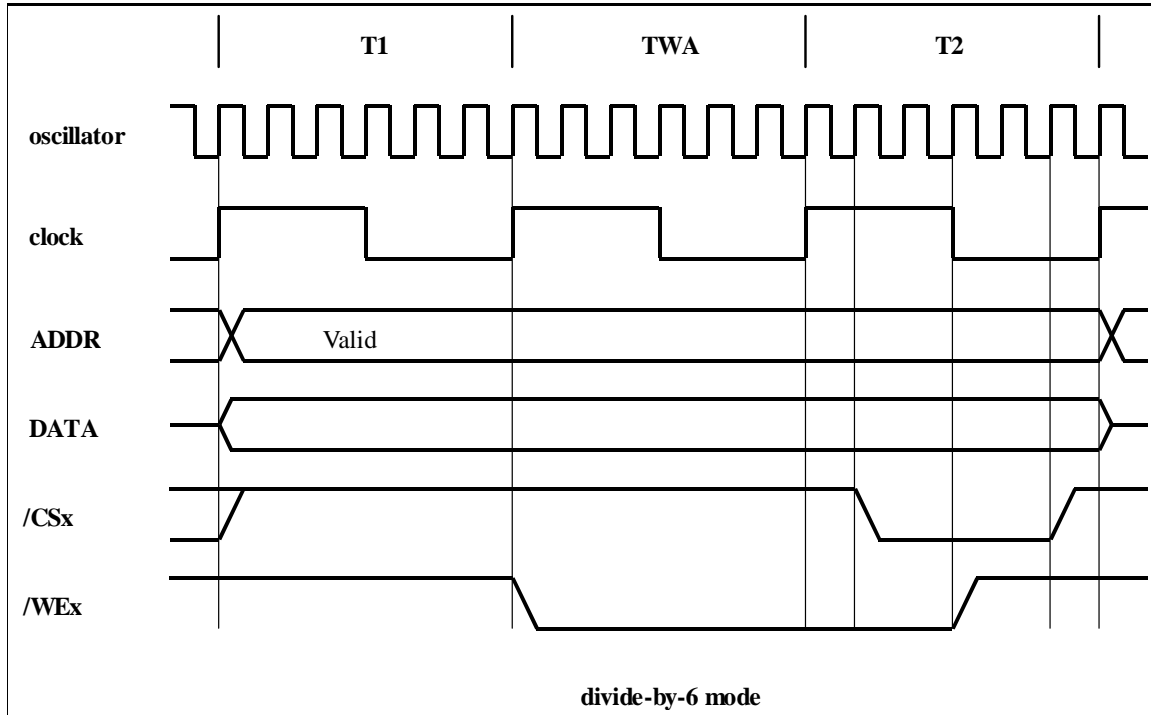


Figure B-13. Short Chip Select Timing: CLK/6, Write Operation

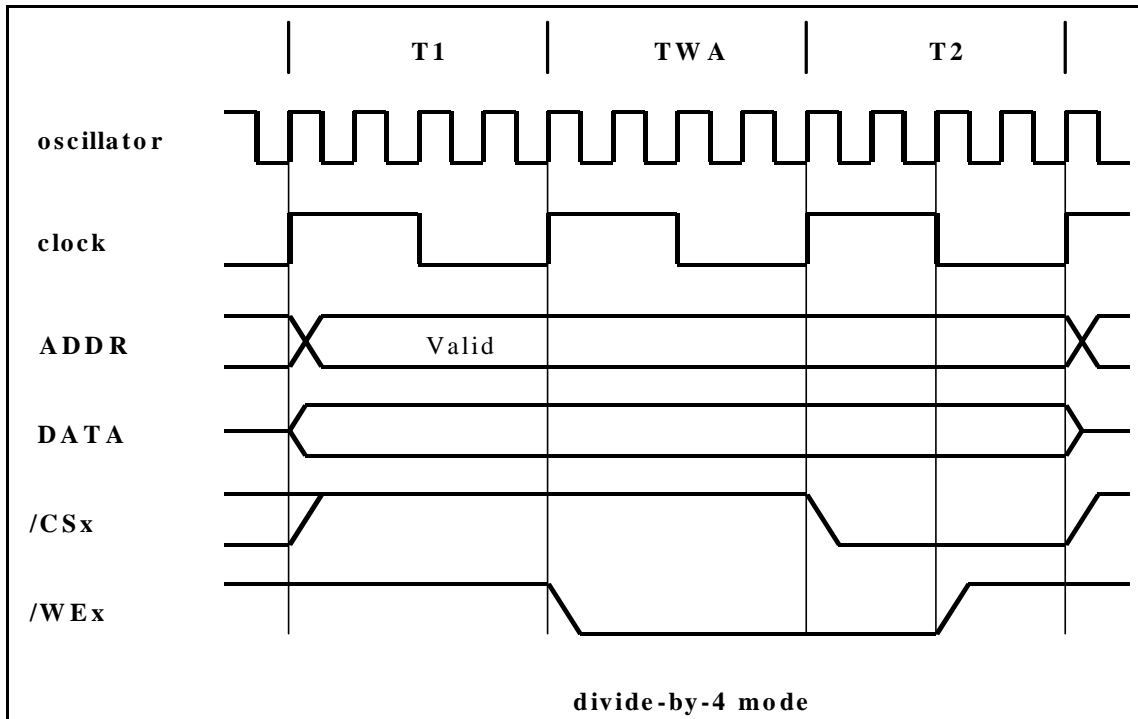


Figure B-14. Short Chip Select Timing: CLK/4, Write Operation

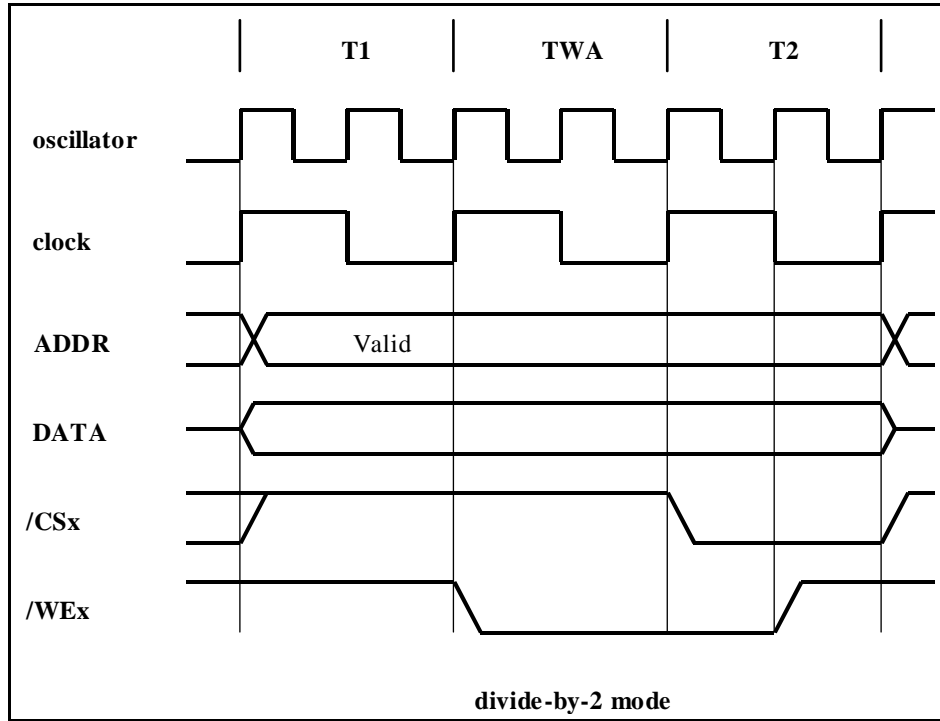


Figure B-15. Short Chip Select Timing: CLK/2, Write Operation

The timing diagrams below illustrate the actual timing for the 32KHz cases of write cycles. In these cases the chip selects are active for one clock cycle before and one clock cycle after the trailing edge of the write signal.

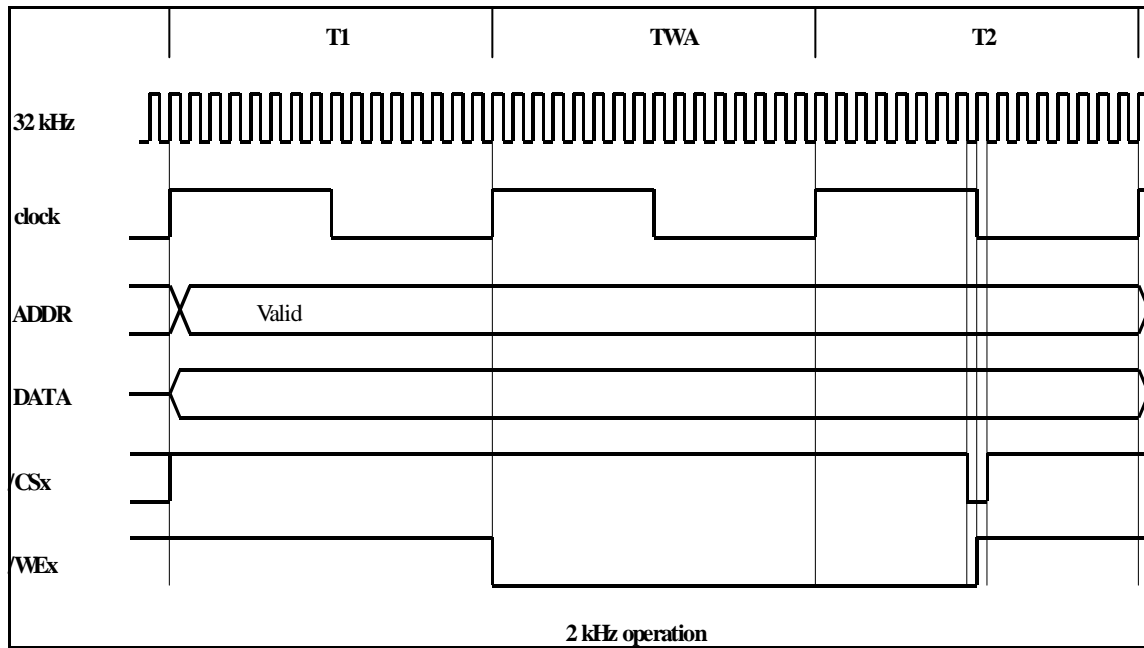


Figure B-16. Short Chip Select Timing: 2 kHz, Write Operation

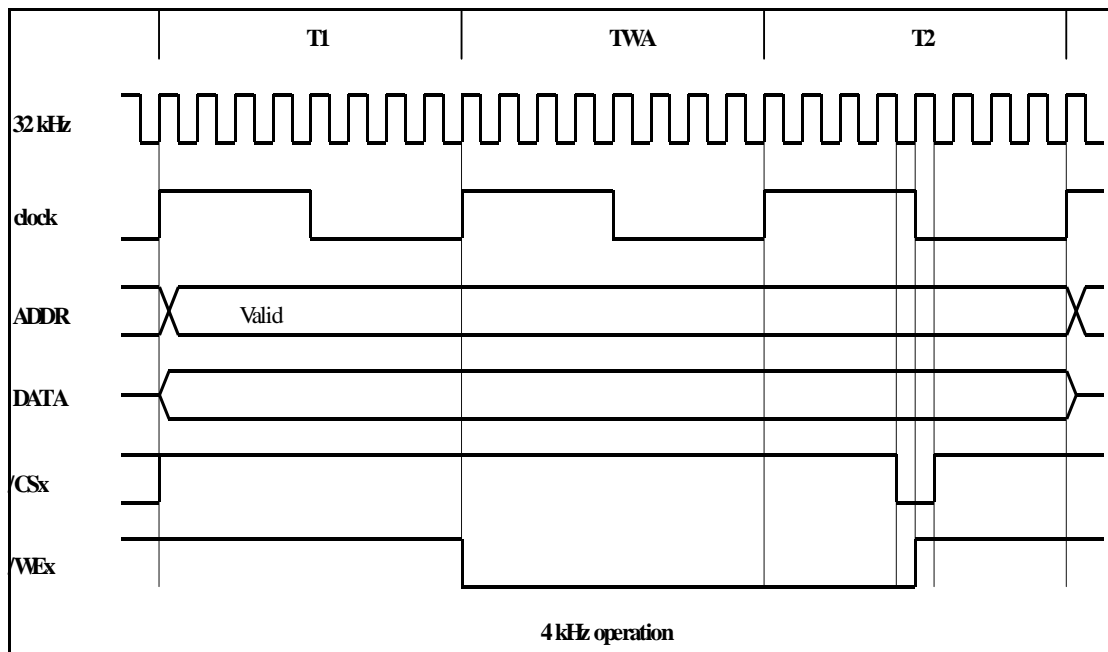


Figure B-17. Short Chip Select Timing: 4 kHz, Write Operation

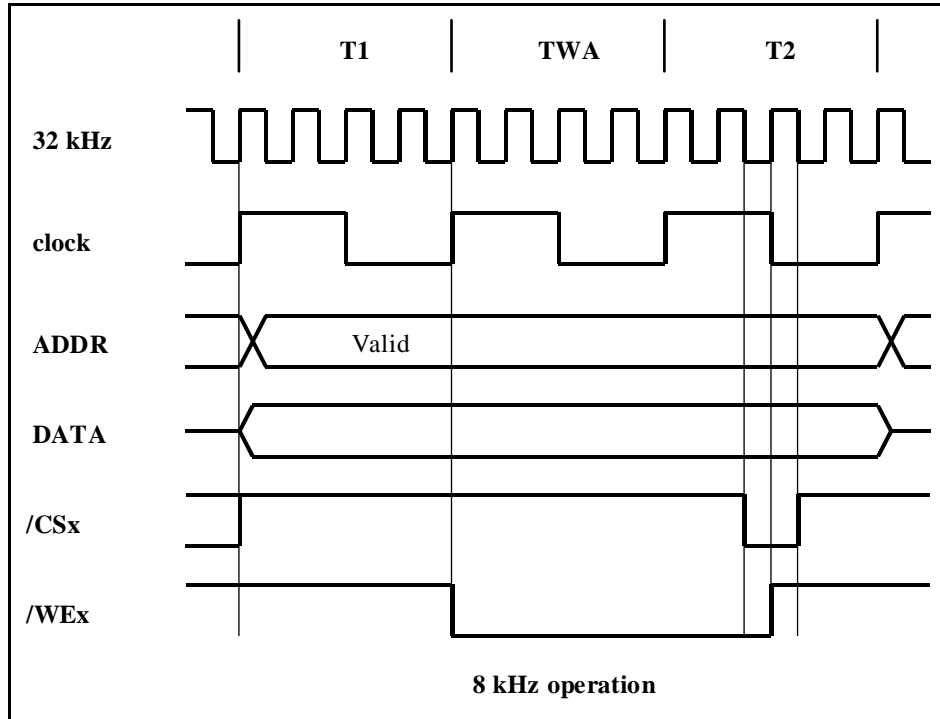


Figure B-18. Short Chip Select Timing: 8 kHz, Write Operation

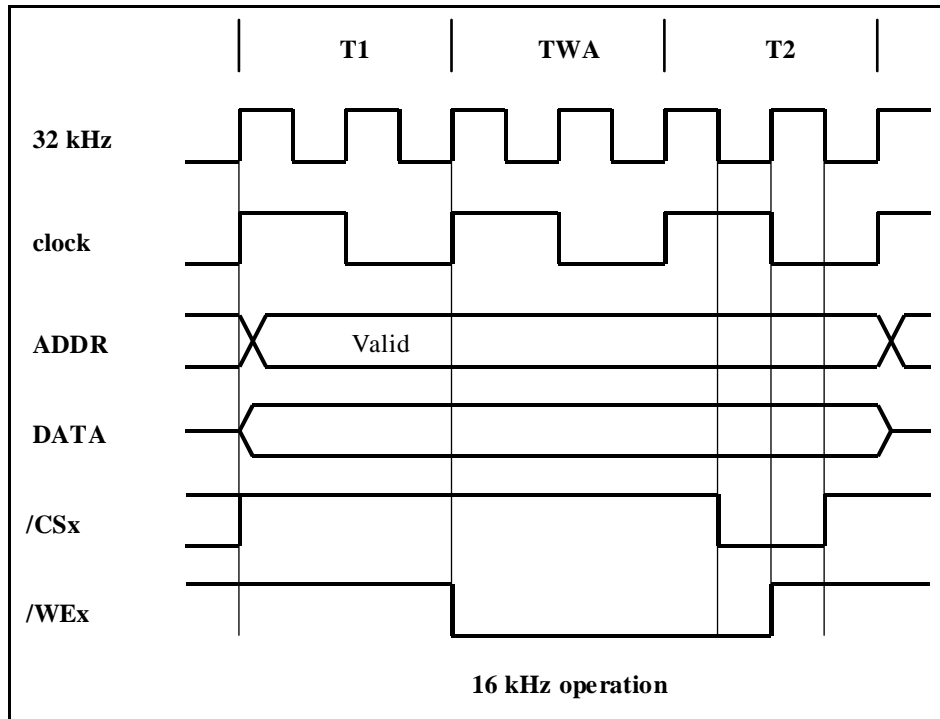


Figure B-19. Short Chip Select Timing: 16 kHz, Write Operation

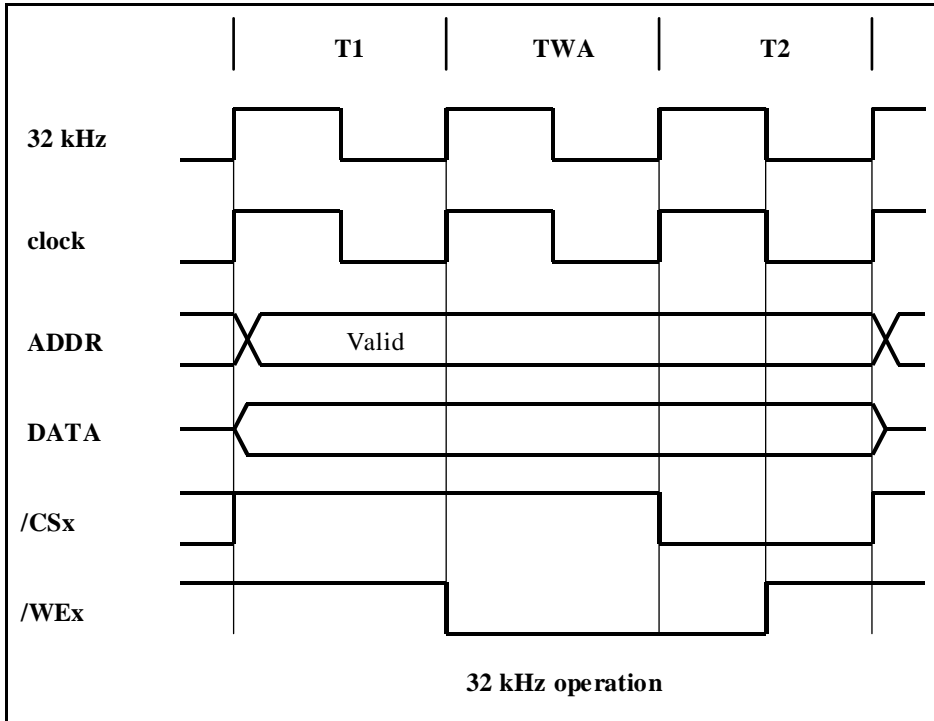


Figure B-20. Short Chip Select Timing: 32 kHz, Write Operation

B.1.13 Pulse Width Modulator Improvements

Several new features have been added to the pulse width modulator. First, a new PWM interrupt can be set up to be requested on every PWM cycle, every other cycle, every fourth cycle, or every eighth cycle. The setup for this interrupt is done in the PWL0R and PWL1R registers, listed in Table B-25 and Table B-26.

Options are available to suppress the PWM output for seven-of-eight, three-of-four and one-of-two iterations of the PWM counter. The one-of-eight option works nicely with R/C servos, which require a 1 ms to 2 ms pulse width and a 20 ms period. This option gives the full resolution for the pulse width while still meeting the period requirements. The one-of-four and one-of-two options can be used to create more virtual PWM channels using software to multiplex the PWM outputs. There is a separate option to only generate an interrupt during the active iteration of the PWM count. The timing is shown below.

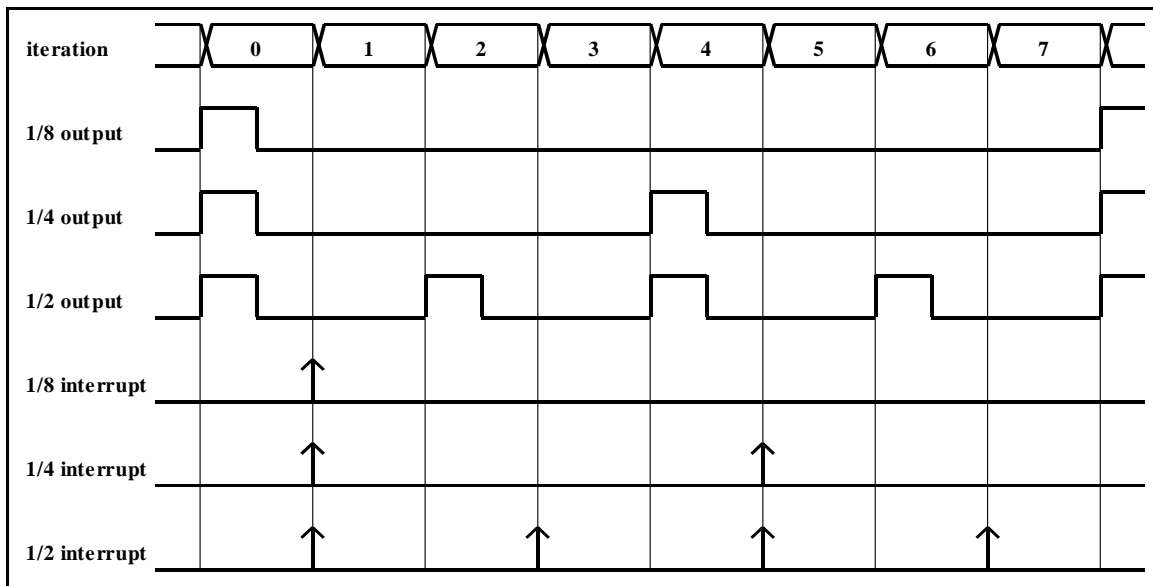


Figure B-21. PWM Interrupt and Output Timing

Table B-25. PWM LSB 0 Register

PWM LSB 0 Register (PWL0R) (Address = 0x0088)		
Bit(s)	Value	Description
7:6	write	The least significant two bits for the Pulse Width Modulator count are stored.
5:4	00	Normal PWM operation.
	01	Suppress PWM output seven out of eight iterations of PWM counter.
	10	Suppress PWM output three out of four iterations of PWM counter.
	11	Suppress PWM output one out of two iterations of PWM counter.
3		This bit is ignored and should be written with zero.
2:1	00	Pulse Width Modulator interrupts are disabled.
	01	Pulse Width Modulator interrupts use Interrupt Priority 1.
	10	Pulse Width Modulator interrupts use Interrupt Priority 2.
	11	Pulse Width Modulator interrupts use Interrupt Priority 3.
0	0	PWM output High for single block.
	1	Spread PWM output throughout the cycle.

Table B-26. PWM LSB 1 Register

PWM LSB 1 Register (PWL1R) (Address = 0x008A)		
Bit(s)	Value	Description
7:6	write	The least significant two bits for the Pulse Width Modulator count are stored.
5:4	00	Normal PWM operation.
	01	Suppress PWM output seven out of eight iterations of PWM counter.
	10	Suppress PWM output three out of four iterations of PWM counter.
	11	Suppress PWM output one out of two iterations of PWM counter.
3		This bit is ignored and should be written with zero.
2:1	00	Normal PWM interrupt operation.
	01	Suppress PWM interrupts seven out of eight iterations of PWM counter.
	10	Suppress PWM interrupts three out of four iterations of PWM counter.
	11	Suppress PWM interrupts one out of two iterations of PWM counter.
0	0	PWM output High for single block.
	1	Spread PWM output throughout the cycle.

Table B-27. PWM LSB 2 and 3 Registers

PWM LSB x Register		(PWL2R) (PWL3R)	(Address = 0x008C) (Address = 0x008E)
Bit(s)	Value	Description	
7:6	write	The least significant two bits for the Pulse Width Modulator count are stored.	
5:4	00	Normal PWM operation.	
	01	Suppress PWM output seven out of eight iterations of PWM counter.	
	10	Suppress PWM output three out of four iterations of PWM counter.	
	11	Suppress PWM output one out of two iterations of PWM counter.	
3:1		These bits are ignored and should be written with zero.	
0	0	PWM output High for single block.	
	1	Spread PWM output throughout the cycle.	

B.1.14 Quadrature Decoder Improvements

The quadrature decoder counters can now be expanded to 10 bits instead of 8 bits. This is controlled by bit 5 in QDCR, listed in Table B-28. The additional two bits can be read in the QDCxHR registers, listed in Table B-29.

NOTE: Bit 5 of QDCR was always written with a zero in the original Rabbit 3000 chip.

Table B-28. Quadrature Decoder Control Register

Quadrature Decoder Control Register (QDCR) (Address = 0x0091)		
Bit(s)	Value	Description
7:6	00	Disable Quadrature Decoder 2 inputs. Writing a new value to these bits will not cause Quadrature Decoder 2 to increment or decrement.
	01	This bit combination is reserved and should not be used.
	10	Quadrature Decoder 2 inputs from Port F bits 3 and 2.
	11	Quadrature Decoder 2 inputs from Port F bits 7 and 6.
5	0	Eight bit quadrature decoder counters.
	1	Ten bit quadrature decoder counters.
4		This bit is reserved and should be written as zero.
3:2	00	Disable Quadrature Decoder 1 inputs. Writing a new value to these bits will not cause Quadrature Decoder 1 to increment or decrement.
	01	This bit combination is reserved and should not be used.
	10	Quadrature Decoder 1 inputs from Port F bits 1 and 0.
	11	Quadrature Decoder 1 inputs from Port F bits 5 and 4.
1:0	00	Quadrature Decoder interrupts are disabled.
	01	Quadrature Decoder interrupt use Interrupt Priority 1.
	10	Quadrature Decoder interrupt use Interrupt Priority 2.
	11	Quadrature Decoder interrupt use Interrupt Priority 3.

Table B-29. Quadrature Decoder Count High Register

Quadrature Decoder Count High Register (QDC1HR) (Address = 0x0095) (QDC2HR) (Address = 0x0097)		
Bit(s)	Value	Description
7:2	read	These bits are reserved and will always read as zeros.
1:0	read	The current value of bits 9-8 of the Quadrature Decoder counter is reported.

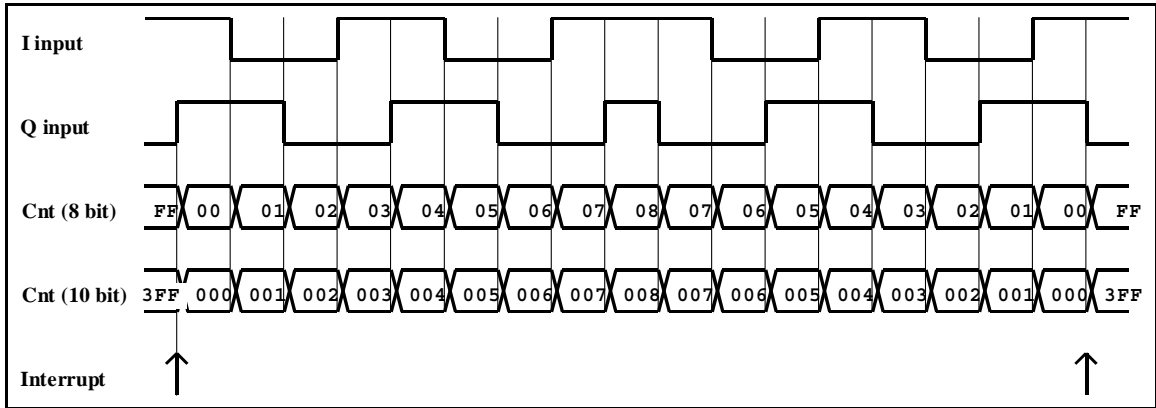


Figure B-22. Quadrature Decode, 8-bit and 10-bit Counter Timing

B.2 Pins with Alternate Functions

The Rabbit 3000A provides greater flexibility for multiplexing I/O functions to other pins. The following alternate connections were introduced in the Rabbit 3000A for these peripherals, and are indicated by an asterisk in Table 5-2.

- Slave port CS
 - /ASCS: Alternate slave port chip select input
- Serial Ports E/F
 - ARXE: Alternate Serial Port E receive
 - ARCLKE: Alternate Serial Port E receive clock (HDLC)
 - ARXF: Alternate Serial Port F receive
 - ARCLKF: Alternate Serial Port F receive clock (HDLC)
- PWM outputs
 - APWM3: Alternate PWM output, bit 3
 - APWM2: Alternate PWM output, bit 2
 - APWM1: Alternate PWM output, bit 1
 - APWM0: Alternate PWM output, bit 0

APPENDIX C. SYSTEM/USER MODE

The Rabbit 3000A is the first Rabbit microprocessor to incorporate a “system/user mode.” The purpose of the System/User mode is to provide two tiers of control in the CPU: *system*, which provides full access to all processor resources; and *user*, a more restricted mode.

Table C-1 describes the essential differences between the System mode and the User mode. The System mode is essentially the same as the normal operation of the Rabbit 3000 and earlier processors.

Table C-1. Differences Between System and User Modes

System Mode	User Mode
All peripherals accessible.	No peripherals accessible by default.
All processor control registers available.	No processor control registers available.
All interrupt priorities available.	Interrupt Priority 3 not allowed.
IDET opcode has no effect.	IDET opcode causes Priority 3 “system mode violation” interrupt.
No write protection when 0x00 is written to WPCR (write protection in User mode only)	Write to protected segment causes Priority 3 “write protection violation” interrupt.
Easy to enter user mode (SETUSR opcode).	Difficult to enter system mode (requires interrupt, SYSCALL, or RST opcode).

The main intent of the System/User mode is to protect critical code (for example, code that performs remote firmware updates), data, and the current processor state (memory setup, peripheral control, etc.) from inadvertent changes by the user’s standard code. By removing access to the processor’s I/O registers and preventing memory writes to critical regions, the user’s code can run without the danger of locking up the processor to the point where it cannot be restarted remotely and/or new code uploaded.

C.1 System/User Mode Opcodes

Seven new opcodes have been added to support the System/User mode, and are listed in Table C-2. All but IDET are placed in previously empty opcode table assignments. IDET shares the value of **LD E, E** in the opcode table, and will perform that operation when the System/User mode is disabled, or when it is enabled and in the System mode. In addition, if the **ALTD** prefix appears before the opcode, **LD E', E** is always executed instead.

The processor keeps a one-byte stack (called the SU register) that is analogous to the IP register that keeps track of the interrupt priority. Every time **SETUSR** is executed (to enter the User mode), or an interrupt occurs, or **SYSCALL** or **RST** is executed (to enter the System mode), the current mode is pushed onto the SU register. When a **SURES** is executed, the previous mode is popped off the SU register.

The effects of each opcode are:

- The **SETUSR** opcode puts the processor into the User mode by pushing the correct value into the SU register.
- **PUSH SU** and **POP SU** push and pop the single-byte SU register on/off the SP stack.
- **SURES** pops the current processor mode off the SU register, returning it to the previous mode.
- **IDET** causes an interrupt if executed in the User mode, and does nothing in the System mode.
- **RDMODE** returns the current mode in the carry flag (0 for System mode, 1 for User mode).
- **SYSCALL** is essentially a new **RST** opcode, and was added to allow User mode access to the System mode without using one of the existing **RST** opcodes. It will put the processor into the System mode and execute code in the corresponding interrupt-vector table entry.

Table C-2. New System/User Mode Opcodes

Instruction	Bytes	clk	A	I	S	Z	V	C	Operation	Priv ?
SETUSR	2	4	-	-	-	-	-	-	SU = {SU[5:0], 0x01}	Yes
PUSH SU	2	9	-	-	-	-	-	-	(SP-1) = SU; SP = SP - 1	Yes
POP SU	2	7	-	-	-	-	-	-	SU = (SP); SP = SP + 1	Yes
SURES	2	4	-	-	-	-	-	-	SU = {SU[1:0], SU[7:2]}	Yes
IDET	1	2	-	-	-	-	-	-	Performs LD E, E , but if (EDMF && SU[0]) then the System Violation interrupt flag is set; if ALTD appears before it always does LD E', E	No
RDMODE	2	4	-	-	-	-	-	*	CF = SU[0]	Yes
SYSCALL	2	10	-	-	-	-	-	-	SP = SP - 2; PC = {R,v} where v = SYSCALL offset	No

C.2 System/User Mode Registers

Table C-3 lists the new I/O registers added to support the System/User mode.

The Enable Dual Mode Register (EDMR) is used to enable and disable the System/User mode. All other I/O registers listed in the table are “User mode enable” registers for each peripheral. On startup, User mode access is not allowed to all the peripherals (all writes to I/O registers for that peripheral are ignored), but can be enabled by writing to the appropriate register. Note that User mode writes to all other I/O registers are always ignored.

Table C-3. System/User Mode I/O Registers

Register Name	Mnemonic	I/O Address	R/W	Reset
Enable Dual-Mode Register	EDMR	0x0420	W	00000000
Real Time Clock User Enable Register	RTUER	0x0300	W	00000000
Slave Port User Enable Register	SPUER	0x0320	W	00000000
Parallel Port A User Enable Register	PAUER	0x0330	W	00000000
Parallel Port B User Enable Register	PBUER	0x0340	W	00000000
Parallel Port C User Enable Register	PCUER	0x0350	W	00000000
Parallel Port D User Enable Register	PDUER	0x0360	W	00000000
Parallel Port E User Enable Register	PEUER	0x0370	W	00000000
Parallel Port F User Enable Register	PFUER	0x0338	W	00000000
Parallel Port G User Enable Register	PGUER	0x0348	W	00000000
Input Capture User Enable Register	ICUER	0x0358	W	00000000
I/O Bank User Enable Register	IBUER	0x0380	W	00000000
PWM User Enable Register	PWUER	0x0388	W	00000000
Quad Decode User Enable Register	QDUER	0x0390	W	00000000
External Interrupt User Enable Register	IUER	0x0398	W	00000000
Timer A User Enable Register	TAUER	0x03A0	W	00000000
Timer B User Enable Register	TBUER	0x03B0	W	00000000
Serial Port A User Enable Register	SAUER	0x03C0	W	00000000
Serial Port B User Enable Register	SBUER	0x3D0	W	00000000
Serial Port C User Enable Register	SCUER	0x3E0	W	00000000
Serial Port D User Enable Register	SDUER	0x3F0	W	00000000
Serial Port E User Enable Register	SEUER	0x03C8	W	00000000
Serial Port F User Enable Register	SFUER	0x3D8	W	00000000

The I/O banks on Port E (enabled for the User mode by IBUER) have a slightly different operation in the User mode. Disabling user access to a given I/O bank not only causes writes to the corresponding IBxCR register to be ignored in the User mode, but also inhibits the strobe associated with that I/O bank.

Access to the internal I/O registers listed in Table C-4 is always denied in the User mode.

Table C-4. I/O Addresses Inaccessible in User Mode

Register Name	Mnemonic	I/O Address
Global Control/Status Register	GCSR	0x0000
Watchdog Timer Control Register	WDTCR	0x0008
Watchdog Timer Test Register	WDTTR	0x0009
Global Clock Modulator 0 Register	GCM0R	0x000A
Global Clock Modulator 1 Register	GCM1R	0x000B
Secondary Watchdog Timer Register*	SWDTR	0x000C
Global Power Save Control Register	GPSCR	0x000D
Global Output Control Register	GOCR	0x000E
Global Clock Double Register	GCDR	0x000F
MMU Instruction/Data Register	MMIDR	0x0010
Stack Segment Register	STACKSEG	0x0011
Data Segment Register	DATASEG	0x0012
Segment Size Register	SEGSIZE	0x0013
Memory Bank 0 Control Register	MB0CR	0x0014
Memory Bank 1 Control Register	MB1CR	0x0015
Memory Bank 2 Control Register	MB2CR	0x0016
Memory Bank 3 Control Register	MB3CR	0x0017
MMU Expanded Code Register	MECR	0x0018
Memory Timing Control Register	MTCR	0x0019
Breakpoint/Debug Control Register	BDCR	0x001C
User Enable registers*		0x03xx
Memory Protection registers*		0x04xx

* These registers are only available on the Rabbit 3000A.

C.3 Interrupts

When enabled for User mode access, a peripheral interrupt (if it is capable of generating an interrupt) can only be requested at Interrupt Priority Level -2 or -1. Interrupts (and **RSTs** and **SYSCALL**) all enter the System mode automatically. There will be times, however, that an interrupt should be handled in the User mode. The solution to this is for the System mode interrupt vector to reenter User mode before calling the User mode interrupt handler. An example of both system and user interrupt handling is shown in Figure C-1.

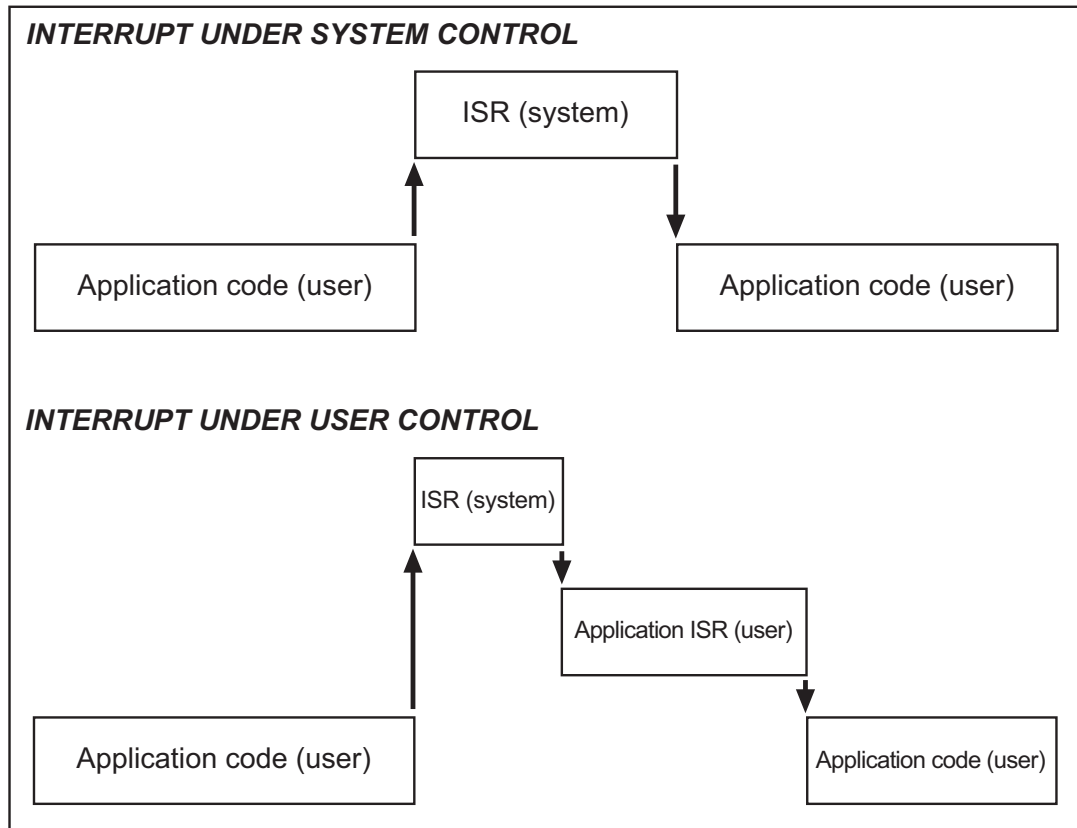


Figure C-1. Interrupt Handling in System/User Mode

Some sample code for both System mode interrupts and User mode interrupts is shown below.

```
system_isr:                ; jumped to from interrupt vector table
    ... handle interrupt ...
    sures                  ; reenter previous mode
    ret

user_isr:                  ; jumped to from interrupt vector table
    push su                ; preserve current SU stack
    setusr                 ; enter user mode
    ... handle interrupt ...
    pop su                 ; restore previous SU stack
    sures                  ; reenter previous mode
    ret
```

C.3.1 Peripheral Interrupt Prioritization

Most interrupts can be programmed to occur at any of three priority levels, but several are restricted to Level 3 (the highest priority) only. The interrupts restricted to Level 3 are system mode violation, stack limit violation, write protection violation, and the secondary watchdog. In addition, any interrupt assigned to User mode is prevented (by hardware) from requesting a Level 3 interrupt. If a user-assigned interrupt is programmed to occur at Level 3, the hardware will automatically modify the request to occur at Level 2. Within a given interrupt priority level, the interrupts are prioritized according to Table C-5.

Table C-5. Interrupts—Priority and Action to Clear Requests

Priority	Interrupt Source	Action required to clear the interrupt
Highest	System Mode Violation	Automatically cleared by the interrupt acknowledge.
	Stack Limit Violation	Automatically cleared by the interrupt acknowledge.
	Write Protection Violation	Automatically cleared by the interrupt acknowledge.
	Secondary Watchdog	Restart the Secondary Watchdog by writing to WDTCR.
	External 1	Automatically cleared by the interrupt acknowledge.
	External 0	Automatically cleared by the interrupt acknowledge.
	Periodic (2 kHz)	Read the status from the GCSR.
	Quadrature Decoder	Read the status from the QDSR.
	Timer B	Read the status from the TBSR.
	Timer A	Read the status from the TASR.
	Input Capture	Read the status from the ICCSR.
	PWM	Write any PWM register.
	Slave Port	Rd: Read the data from the SPD0R, SPD1R or SPD2R. Wr: Write data to the SPD0R, SPD1R, SPD2R or write a dummy byte to the SPSR.
	Serial Port E	Rx: Read the data from the SEDR or SEAR. Tx: Write data to the SEDR, SEAR, SELR or write a dummy byte to the SESR.
	Serial Port F	Rx: Read the data from the SFDR or SFAR. Tx: Write data to the SFDR, SFAR, SFLR or write a dummy byte to the SFSR.
	Serial Port A	Rx: Read the data from the SADR or SAAR. Tx: Write data to the SADR, SAAR, SALR or write a dummy byte to the SASR.
Serial Port B	Rx: Read the data from the SBDR or SBAR. Tx: Write data to the SBDR, SBAR, SBLR or write a dummy byte to the SBSR.	
Serial Port C	Rx: Read the data from the SCDR or SCAR. Tx: Write data to the SCDR, SCAR, SCLR or write a dummy byte to the SCSR.	
Lowest	Serial Port D	Rx: Read the data from the SDDR or SDAR. Tx: Write data to the SDDR, SDAR, SDLR or write a dummy byte to the SDSR.

C.4 Using the System/User Mode

The System/User mode is designed to work with new features in the Rabbit 3000A (memory protection, stack protection, etc.) to provide a seamless framework for protection of critical code. However, there are many levels at which the System/User mode can be used; some examples are described here.

C.4.1 Memory Protection Only

At the beginning of the user program, all necessary peripherals are enabled, all peripheral interrupts to be used are set up for the User mode, critical memory regions are protected, stack limits are set, and the various system/memory/stack violation interrupts are enabled. The processor then enters the User mode and remains in the User mode for all operations (interrupts can be handled however the user desires). Obviously the critical interrupts can be handled in the System mode, but at that point the device is typically reset and the error is logged. An overview of this level of operation is shown in Figure C-2.

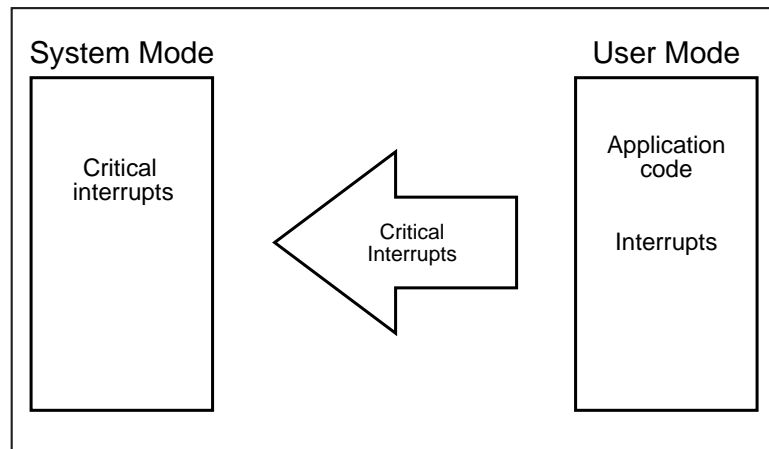


Figure C-2. System/User Mode Setup for Memory Protection Only

C.4.2 Mixed System/User Mode Operation

This mode is similar to the previous mode, but with some portions of the program written for the System mode—for example, peripheral interrupts where latency is critical. By keeping the System mode code sections small, potential system crashes are still minimized. An overview of this level of operation is shown in Figure C-3.

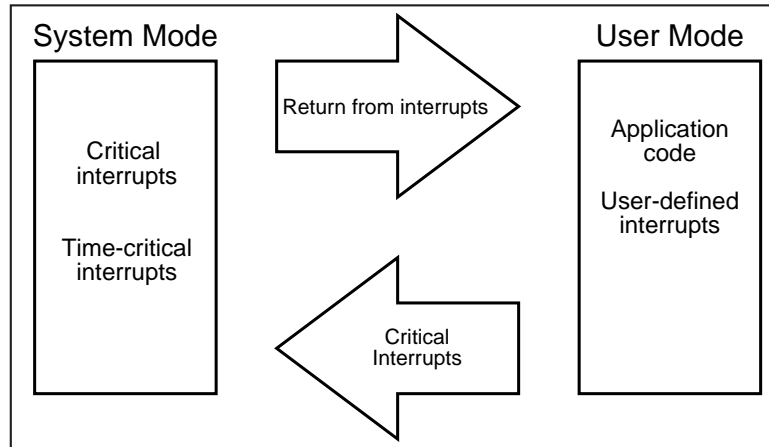


Figure C-3. System/User Mode Setup for Mixed Operation

C.4.3 Complete Operating System

This section describes a “full” use of the System/User mode—separating all common functions into a System mode “operating system” while letting the application-specific code run in the User mode. By default, the System mode handles all peripherals and interrupts, as well as high-level interfaces such as a flash file system. However, the processor will be running the application code in the User mode most of the time.

The application code can request direct access to a peripheral and/or interrupt from the System mode. If allowed, the System mode can create an interrupt vector as described in Section C.3 that will execute the user code interrupt handler.

When the application code wants to perform an action that is controlled by the System mode, it can request the particular action by loading the appropriate value into HL and executing **SYSCALL**. This requires generating a list of all the actions that the application code would want to do, assigning values to each action, and implementing a **SYSCALL** handler in the System mode that parses the value passed to it and calls the appropriate function.

Write protection should be enabled (User mode only) for all blocks containing system code and data as well as any critical memory regions.

If any critical interrupts occur (stack limit violation, system mode violation, write protection violation), the System mode handlers can perform any of a number of operations: restart the application code, signal another device, halt operation, and so on.

An overview of this level of operation is shown in Figure C-4.

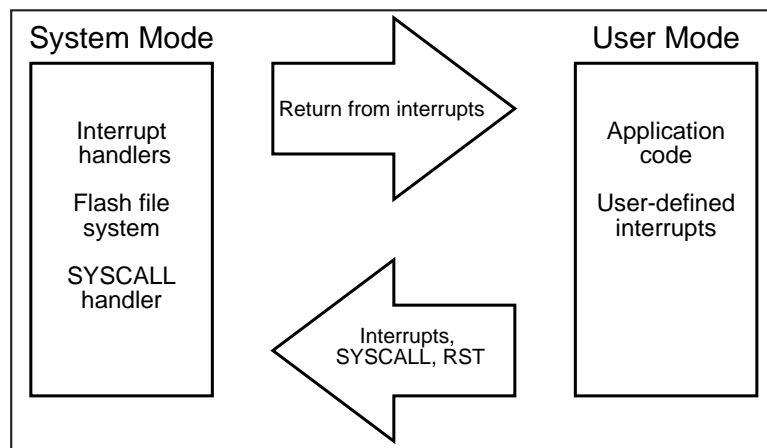


Figure C-4. System/User Mode Setup for Operating System

APPENDIX D.

RABBIT 3000A INTERNAL I/O REGISTERS

Table D-1 provides a list of all the Rabbit 3000A internal I/O registers.

Table D-1. Rabbit 3000A Internal I/O Registers

Register Name	Mnemonic	I/O Address	R/W	Reset
Global Control/Status Register	GCSR	0x0000	R/W	11000000
Real Time Clock Control Register	RTCCR	0x0001	W	00000000
Real Time Clock Byte 0 Register	RTC0R	0x0002	R/W	xxxxxxx
Real Time Clock Byte 1 Register	RTC1R	0x0003	R	xxxxxxx
Real Time Clock Byte 2 Register	RTC2R	0x0004	R	xxxxxxx
Real Time Clock Byte 3 Register	RTC3R	0x0005	R	xxxxxxx
Real Time Clock Byte 4 Register	RTC4R	0x0006	R	xxxxxxx
Real Time Clock Byte 5 Register	RTC5R	0x0007	R	xxxxxxx
Watchdog Timer Control Register	WDTCR	0x0008	W	00000000
Watchdog Timer Test Register	WDTTR	0x0009	W	00000000
Global Clock Modulator 0 Register	GCM0R	0x000A	W	00000000
Global Clock Modulator 1 Register	GCM1R	0x000B	W	00000000
Secondary Watchdog Timer Register	SWDTR	0x000C	W	11111111
Global Power Save Control Register	GPSCR	0x000D	W	00000000
Global Output Control Register	GOOCR	0x000E	W	00000000
Global Clock Double Register	GCDR	0x000F	W	00000000
Global ROM Configuration Register	GROM	0x002C	R	0xx00000
Global RAM Configuration Register	GRAM	0x002D	R	0xx00000
Global CPU Configuration Register	GCPU	0x002E	R	0xx00001
Global Revision Register	GREV	0x002F	R	0xx00001
MMU Instruction/Data Register	MMIDR	0x0010	R/W	00000000

Table D-1. Rabbit 3000A Internal I/O Registers (continued)

Register Name	Mnemonic	I/O Address	R/W	Reset
Memory Bank 0 Control Register	MB0CR	0x0014	W	00001000
Memory Bank 1 Control Register	MB1CR	0x0015	W	xxxxxxx
Memory Bank 2 Control Register	MB2CR	0x0016	W	xxxxxxx
Memory Bank 3 Control Register	MB3CR	0x0017	W	xxxxxxx
MMU Expanded Code Register	MECR	0x0018	R/W	00000000
Memory Timing Control Register	MTCR	0x0019	W	00000000
Breakpoint/Debug Control Register	BDCR	0x001C	W	00000000
RAM Segment Register	RAMSR	0x0448	W	00000000
Write Protect Control Register	WPCR	0x0440	W	00000000
Stack Limit Control Register	STKCR	0x0444	W	00000000
Stack Low Limit Register	STKLLR	0x0445	W	xxxxxxx
Stack High Limit Register	STKHLR	0x0446	W	xxxxxxx
Write Protect Low Register	WPLR	0x0460	W	00000000
Write Protect High Register	WPHR	0x0461	W	00000000
Write Protect Segment A Register	WPSAR	0x0480	W	00000000
Write Protect Segment A Low Register	WPSALR	0x0481	W	00000000
Write Protect Segment A High Register	WPSAHR	0x0482	W	00000000
Write Protect Segment B Register	WPSBR	0x0484	W	00000000
Write Protect Segment B Low Register	WPSBLR	0x0485	W	00000000
Write Protect Segment B High Register	WPSBHR	0x0486	W	00000000
Real Time Clock User Enable Register	RTUER	0x0300	W	00000000
Slave Port User Enable Register	SPUER	0x0320	W	00000000
Parallel Port A User Enable Register	PAUER	0x0330	W	00000000
Parallel Port F User Enable Register	PFUER	0x0338	W	00000000
Parallel Port B User Enable Register	PBUER	0x0340	W	00000000
Parallel Port G User Enable Register	PGUER	0x0348	W	00000000
Parallel Port C User Enable Register	PCUER	0x0350	W	00000000
Input Capture User Enable Register	ICUER	0x0358	W	00000000
Parallel Port D User Enable Register	PDUER	0x0360	W	00000000
Parallel Port E User Enable Register	PEUER	0x0370	W	00000000

Table D-1. Rabbit 3000A Internal I/O Registers (continued)

Register Name	Mnemonic	I/O Address	R/W	Reset
I/O Bank User Enable Register	IBUER	0x0380	W	00000000
PWM User Enable Register	PWUER	0x0388	W	00000000
Quad Decode User Enable Register	QDUER	0x0390	W	00000000
External Interrupt User Enable Register	IUER	0x0398	W	00000000
Timer A User Enable Register	TAUER	0x03A0	W	00000000
Timer B User Enable Register	TBUER	0x03B0	W	00000000
Serial Port A User Enable Register	SAUER	0x03C0	W	00000000
Serial Port E User Enable Register	SEUER	0x03C8	W	00000000
Serial Port B User Enable Register	SBUER	0x03D0	W	00000000
Serial Port F User Enable Register	SFUER	0x03D8	W	00000000
Serial Port C User Enable Register	SCUER	0x03E0	W	00000000
Serial Port D User Enable Register	SDUER	0x03F0	W	00000000
Enable Dual Mode Register	EDMR	0x0420	W	00000000
Slave Port Data 0 Register	SPD0R	0x0020	R/W	xxxxxxxx
Slave Port Data 1 Register	SPD1R	0x0021	R/W	xxxxxxxx
Slave Port Data 2 Register	SPD2R	0x0022	R/W	xxxxxxxx
Slave Port Status Register	SPSR	0x0023	R	00000000
Slave Port Control Register	SPCR	0x0024	R/W	0xx00000
Port A Data Register	PADR	0x0030	R/W	xxxxxxxx
Port B Data Register	PBDR	0x0040	R/W	00xxxxxx
Port B Data Direction Register	PBDDR	0x0047	W	11000000
Port C Data Register	PCDR	0x0050	R/W	x0x1x1x1
Port C Function Register	PCFR	0x0055	W	x0x0x0x0
Port D Data Register	PDDR	0x0060	R/W	xxxxxxxx
Port D Control Register	PDCR	0x0064	W	xx00xx00
Port D Function Register	PDFR	0x0065	W	xxxxxxxx
Port D Drive Control Register	PDDCR	0x0066	W	xxxxxxxx
Port D Data Direction Register	PDDDR	0x0067	W	00000000
Port D Bit 0 Register	PDB0R	0x0068	W	xxxxxxxx
Port D Bit 1 Register	PDB1R	0x0069	W	xxxxxxxx

Table D-1. Rabbit 3000A Internal I/O Registers (continued)

Register Name	Mnemonic	I/O Address	R/W	Reset
Port D Bit 2 Register	PDB2R	0x006A	W	xxxxxxxx
Port D Bit 3 Register	PDB3R	0x006B	W	xxxxxxxx
Port D Bit 4 Register	PDB4R	0x006C	W	xxxxxxxx
Port D Bit 5 Register	PDB5R	0x006D	W	xxxxxxxx
Port D Bit 6 Register	PDB6R	0x006E	W	xxxxxxxx
Port D Bit 7 Register	PDB7R	0x006F	W	xxxxxxxx
Port E Data Register	PEDR	0x0070	R/W	xxxxxxxx
Port E Control Register	PECR	0x0074	W	xx00xx00
Port E Function Register	PEFR	0x0075	W	00000000
Port E Data Direction Register	PEDDR	0x0077	W	00000000
Port E Bit 0 Register	PEB0R	0x0078	W	xxxxxxxx
Port E Bit 1 Register	PEB1R	0x0079	W	xxxxxxxx
Port E Bit 2 Register	PEB2R	0x007A	W	xxxxxxxx
Port E Bit 3 Register	PEB3R	0x007B	W	xxxxxxxx
Port E Bit 4 Register	PEB4R	0x007C	W	xxxxxxxx
Port E Bit 5 Register	PEB5R	0x007D	W	xxxxxxxx
Port E Bit 6 Register	PEB6R	0x007E	W	xxxxxxxx
Port E Bit 7 Register	PEB7R	0x007F	W	xxxxxxxx
Port F Data Register	PFDR	0x0038	R/W	xxxxxxxx
Port F Control Register	PFCR	0x003C	W	xx00xx00
Port F Function Register	PFFR	0x003D	W	xxxxxxxx
Port F Drive Control Register	PFDCR	0x003E	W	xxxxxxxx
Port F Data Direction Register	PFDDR	0x003F	W	00000000
Port G Data Register	PGDR	0x0048	R/W	xxxxxxxx
Port G Control Register	PGCR	0x004C	W	xx00xx00
Port G Function Register	PGFR	0x004D	W	xxxxxxxx
Port G Drive Control Register	PGDCR	0x004E	W	xxxxxxxx
Port G Data Direction Register	PGDDR	0x004F	W	00000000
I/O Bank 0 Control Register	IB0CR	0x0080	W	00000000
I/O Bank 1 Control Register	IB1CR	0x0081	W	00000000

Table D-1. Rabbit 3000A Internal I/O Registers (continued)

Register Name	Mnemonic	I/O Address	R/W	Reset
I/O Bank 2 Control Register	IB2CR	0x0082	W	00000000
I/O Bank 3 Control Register	IB3CR	0x0083	W	00000000
I/O Bank 4 Control Register	IB4CR	0x0084	W	00000000
I/O Bank 5 Control Register	IB5CR	0x0085	W	00000000
I/O Bank 6 Control Register	IB6CR	0x0086	W	00000000
I/O Bank 7 Control Register	IB7CR	0x0087	W	00000000
PWM LSB 0 Register	PWL0R	0x0088	W	xxxxx00x
PWM MSB 0 Register	PWM0R	0x0089	W	xxxxxxxx
PWM LSB 1 Register	PWL1R	0x008A	W	xxxxx00x
PWM MSB 1 Register	PWM1R	0x008B	W	xxxxxxxx
PWM LSB 2 Register	PWL2R	0x008C	W	xxxxx00x
PWM MSB 2 Register	PWM2R	0x008D	W	xxxxxxxx
PWM LSB 3 Register	PWL3R	0x008E	W	xxxxx00x
PWM MSB 3 Register	PWM3R	0x008F	W	xxxxxxxx
Input Capture Ctrl/Status Register	ICCSR	0x0056	R/W	00000000
Input Capture Control Register	ICCR	0x0057	W	xxxxxx00
Input Capture Trigger 1 Register	ICT1R	0x0058	W	00000000
Input Capture Source 1 Register	ICS1R	0x0059	W	xxxxxxxx
Input Capture LSB 1 Register	ICL1R	0x005A	R	xxxxxxxx
Input Capture MSB 1 Register	ICM1R	0x005B	R	xxxxxxxx
Input Capture Trigger 2 Register	ICT2R	0x005C	W	00000000
Input Capture Source 2 Register	ICS2R	0x005D	W	xxxxxxxx
Input Capture LSB 2 Register	ICL2R	0x005E	R	xxxxxxxx
Input Capture MSB 2 Register	ICM2R	0x005F	R	xxxxxxxx
Quad Decode Ctrl/Status Register	QDCSR	0x0090	R/W	xxxxxxxx
Quad Decode Control Register	QDCR	0x0091	W	00000000
Quad Decode Count 1 Register	QDC1R	0x0094	R	xxxxxxxx
Quad Decode Count1 High Register	QDC1HR	0x0095	R	xxxxxxxx
Quad Decode Count 2 Register	QDC2R	0x0096	R	xxxxxxxx
Quad Decode Count 2 High Register	QDC2HR	0x0097	R	xxxxxxxx

Table D-1. Rabbit 3000A Internal I/O Registers (continued)

Register Name	Mnemonic	I/O Address	R/W	Reset
Interrupt 0 Control Register	I0CR	0x0098	W	xx000000
Interrupt 1 Control Register	I1CR	0x0099	W	xx000000
Timer A Control/Status Register	TACSR	0x00A0	R/W	00000000
Timer A Prescale Register	TAPR	0x00A1	W	xxxxxxx1
Timer A Time Constant 1 Register	TAT1R	0x00A3	W	xxxxxxx
Timer A Control Register	TACR	0x00A4	W	00000000
Timer A Time Constant 2 Register	TAT2R	0x00A5	W	xxxxxxx
Timer A Time Constant 8 Register	TAT8R	0x00A6	W	xxxxxxx
Timer A Time Constant 3 Register	TAT3R	0x00A7	W	xxxxxxx
Timer A Time Constant 9 Register	TAT9R	0x00A8	W	xxxxxxx
Timer A Time Constant 4 Register	TAT4R	0x00A9	W	xxxxxxx
Timer A Time Constant 10 Register	TAT10R	0x00AA	W	xxxxxxx
Timer A Time Constant 5 Register	TAT5R	0x00AB	W	xxxxxxx
Timer A Time Constant 6 Register	TAT6R	0x00AD	W	xxxxxxx
Timer A Time Constant 7 Register	TAT7R	0x00AF	W	xxxxxxx
Timer B Control/Status Register	TBCSR	0x00B0	R/W	xxxxx000
Timer B Control Register	TBCR	0x00B1	W	xxxx0000
Timer B MSB 1 Register	TBM1R	0x00B2	W	xxxxxxx
Timer B LSB 1 Register	TBL1R	0x00B3	W	xxxxxxx
Timer B MSB 2 Register	TBM2R	0x00B4	W	xxxxxxx
Timer B LSB 2 Register	TBL2R	0x00B5	W	xxxxxxx
Timer B Count MSB Register	TBCMR	0x00BE	R	xxxxxxx
Timer B Count LSB Register	TBCLR	0x00BF	R	xxxxxxx
Serial Port A Data Register	SADR	0x00C0	R/W	xxxxxxx
Serial Port A Address Register	SAAR	0x00C1	W	xxxxxxx
Serial Port A Long Stop Register	SALR	0x00C2	W	xxxxxxx
Serial Port A Status Register	SASR	0x00C3	R	0xx00000
Serial Port A Control Register	SACR	0x00C4	W	xx000000
Serial Port A Extended Register	SAER	0x00C5	W	00000000
Serial Port B Data Register	SBDR	0x00D0	R/W	xxxxxxx

Table D-1. Rabbit 3000A Internal I/O Registers (continued)

Register Name	Mnemonic	I/O Address	R/W	Reset
Serial Port B Address Register	SBAR	0x00D1	W	xxxxxxx
Serial Port B Long Stop Register	SBLR	0x00D2	W	xxxxxxx
Serial Port B Status Register	SBSR	0x00D3	R	0xx00000
Serial Port B Control Register	SBCR	0x00D4	W	xx000000
Serial Port B Extended Register	SBER	0x00D5	W	00000000
Serial Port C Data Register	SCDR	0x00E0	R/W	xxxxxxx
Serial Port C Address Register	SCAR	0x00E1	W	xxxxxxx
Serial Port C Long Stop Register	SCLR	0x00E2	W	xxxxxxx
Serial Port C Status Register	SCSR	0x00E3	R	0xx00000
Serial Port C Control Register	SCCR	0x00E4	W	xx000000
Serial Port C Extended Register	SCER	0x00E5	W	00000000
Serial Port D Data Register	SDDR	0x00F0	R/W	xxxxxxx
Serial Port D Address Register	SDAR	0x00F1	W	xxxxxxx
Serial Port D Long Stop Register	SDLR	0x00F2	W	xxxxxxx
Serial Port D Status Register	SDSR	0x00F3	R	0xx00000
Serial Port D Control Register	SDCR	0x00F4	W	xx000000
Serial Port D Extended Register	SDER	0x00F5	W	00000000
Serial Port E Data Register	SEDR	0x00C8	R/W	xxxxxxx
Serial Port E Address Register	SEAR	0x00C9	W	xxxxxxx
Serial Port E Long Stop Register	SELR	0x00CA	W	xxxxxxx
Serial Port E Status Register	SESR	0x00CB	R	0xx00000
Serial Port E Control Register	SECR	0x00CC	W	xx000000
Serial Port E Extended Register	SEER	0x00CD	W	00000000
Serial Port F Data Register	SFDR	0x00D8	R/W	xxxxxxx
Serial Port F Address Register	SFAR	0x00D9	W	xxxxxxx
Serial Port F Long Stop Register	SFLR	0x00DA	W	xxxxxxx
Serial Port F Status Register	SFSR	0x00DB	R	0xx00000
Serial Port F Control Register	SFCR	0x00DC	W	xx000000
Serial Port F Extended Register	SFER	0x00DD	W	00000000



NOTICE TO USERS

RABBIT SEMICONDUCTOR PRODUCTS ARE NOT AUTHORIZED FOR USE AS CRITICAL COMPONENTS IN LIFE-SUPPORT DEVICES OR SYSTEMS UNLESS A SPECIFIC WRITTEN AGREEMENT REGARDING SUCH INTENDED USE IS ENTERED INTO BETWEEN THE CUSTOMER AND RABBIT SEMICONDUCTOR PRIOR TO USE. Life-support devices or systems are devices or systems intended for surgical implantation into the body or to sustain life, and whose failure to perform, when properly used in accordance with instructions for use provided in the labeling and user's manual, can be reasonably expected to result in significant injury.

No complex software or hardware system is perfect. Bugs are always present in a system of any size. In order to prevent danger to life or property, it is the responsibility of the system designer to incorporate redundant protective mechanisms appropriate to the risk involved.

All Rabbit Semiconductor products are 100 percent functionally tested. Additional testing may include visual quality control inspections or mechanical defects analyzer inspections. Specifications are based on characterization of tested sample units rather than testing over temperature and voltage of each unit. Rabbit Semiconductor products may qualify components to operate within a range of parameters that is different from the manufacturer's recommended range. This strategy is believed to be more economical and effective. Additional testing or burn-in of an individual unit is available by special arrangement.

INDEX

Numerics

5 V tolerant inputs 11

A

assembly language

instructions 40, 41, 42, 43

reading/writing to I/O registers 242

asynchronous I/O 50

B

BGA package

mechanical dimensions 60

outline 61

bootstrap operation 101

C

clocks 80, 209

32.768 kHz oscillator

..... 80, 81, 209

clock doubler 83, 84, 225

clock speeds 227

distribution 81

low-power design 210

main clock 80, 91, 209

oscillator circuits 209

power consumption

..... 85, 235, 236

spectrum spreader

..... 80, 86, 212, 225

timer and clock use 244

timing issues 225, 226

cold boot 52

comparison Rabbit 3000 vs.

Rabbit 2000 259

compiler 127

crystal frequencies 271

D

design features 9

5 V tolerant inputs 11

BIOS 19

clock spectrum spreader 18

cold boot 52

input capture channels 16

instruction set 9

interrupt priorities 9

memory support 9

parallel I/O 13

PWM outputs 17

quadrature encoder inputs . 17

separate core and I/O power

pins 18

serial ports 11

slave port 14, 53

system clock 12

time/date clock 12

timed output pulses 49

timers 15

design standards

programming port 18

Dynamic C 1, 19

BIOS 237

library functions 242

periodic interrupts 238

power consumption 241

virtual drivers 238

watchdog 238

E

EMI mitigation 211

PCB layout 212

spectrum spreader 212

extended memory

I and D space 27, 28

practical considerations 30

stack segment 29

external bus

read and write timing 64

G

generating pulses 50

I

input capture 105

instructions 32, 247

alphabetic order 261

arithmetic and logical ops . 36

I/O instructions 39

load to constant address 33

load to register 33

load using index register ... 34

push and pop 36

register exchanges 35

register-to-register move ... 35

interrupts 44, 48, 72, 97

Dynamic C 238

external interrupts 99

interrupt latency 49

interrupt service vector

addresses 72

interrupt vectors 100

multiple interrupts 46

on-chip peripherals . 280, 282

priorities 44, 45, 97

privilegged instructions and

semaphores 46

semaphores 47

serial port 179

System/User mode 321

updating registers 243

L

low-power design 210

low-power options 87

LQFP package

LAND pattern 58

mechanical dimensions 57

pinout 56

M

memory

- A16, A19 inversions (/CS1 enable)121
- access time215
- access time delays220
- access times with clock doubler221
- allocation of extended code and data space123
- breakpoint/debug controller123
- compiler operation127
- data and clock delays216
- I and D space125
- I/O access time223
- I/O read time delays224
- I/O write time delays224
- instruction and data space support124
- power consumption234
- read and write cycles (no wait states)217, 219
- read time delays218
- write time delays218
- memory interface25, 119
 - battery backup115
 - SRAM115
 - typical connections116
- memory mapping117
- memory mapping unit23, 24
- memory protection284
- memory timing122
- memory-mapping unit117
- Modbus196

O

- opcodes293
 - revision block effects294
 - System/User mode318
- open-drain outputs51
- oscillator209
 - main oscillator209
- oscillators
 - 32.768 kHz80, 81, 209
 - main clock80, 209
- output pins
 - alternate assignment90

P

- Parallel Port D
 - open-drain outputs51

- parallel ports129
 - conflict between Port A and Port F129, 141
 - Parallel Port A130
 - Parallel Port B131
 - Parallel Port C132
 - Parallel Port D133
 - Parallel Port E137
 - Parallel Port F140
 - Parallel Port G143
- pin descriptions62
 - alternate functions65
- pinout
 - BGA package59
 - LQFP package56
- ports
 - Rabbit slave port199
 - slave port lines203
 - slave port registers204
- power consumption85, 229
 - clock235, 236
 - Dynamic C241
 - mechanisms232
 - memory234
 - sleepy mode231, 233
- power management241
- power usage, standby mode 210
- programming port269
 - alternate programming port270
 - use as diagnostic port270
- PWM modulator103, 311
- PWM outputs17, 50

Q

- quadrature decoder110
- quadrature encoder inputs17

R

- Rabbit 3000
 - block diagram5
 - comparison with Rabbit 2000259
 - crystal frequencies271
 - design features9
 - features1
 - list of advantages6
 - on-chip peripherals11
 - programming port269
 - revision history273, 276
 - specifications2, 4

Rabbit 3000A

- internal I/O registers327
- opcodes293
- Rabbit Semiconductor
 - history1
 - Z-World support1
- RAM segment relocation291
- registers21
 - accumulators22
 - alternate registers22
 - BDCR123
 - clocked serial port status registers171
 - default values73
 - GCDR83
 - GCMxR213, 319
 - GCPU80, 282, 319
 - GCSR82
 - GOCR90
 - GPSCR88, 297
 - GRAM configuration79
 - GREV80, 282
 - GROM configuration79
 - GSCR298
 - I/O bank control145
 - IBxCR 146, 152, 154, 157, 296
 - ICCR105, 108
 - ICCSR105, 107
 - ICLxR105, 109
 - ICMxR105, 109
 - ICSxR105, 109
 - ICTxR105, 108
 - index registers22
 - internal I/O registers277
 - interrupt priority register22
 - interrupts44
 - MB0CR319
 - MBxCR120
 - MECR122
 - memory bank control120
 - memory-mapping segments118
 - MMIDR121, 124, 295
 - MTCR122, 319
 - PADR130
 - parallel port alternate functions67
 - PBDDR131
 - PBDR131
 - PCDR132
 - PCFR132
 - PDBxR133
 - PDCR133, 135
 - PDDCR133

PDDDR	133	SCER	166	TATxR	151
PDDR	133, 135	SCLR	166	TBCLR	156, 158
PDFR	133	SCSR	166	TBCMR	156
PEBxR	138	SDAR	167	TBCR	156, 157
PECR	138, 139	SDCR	167	TBCSR	156, 157
PEDDR	138	SDDR	167	TBLxR	156, 158
PEDR	138, 139	SDLR	167	TBMxR	156, 158
PEFR	138	SDSR	167	WDTCR	93, 292
PFCR	140, 141	SEAR	167	WDTTR	94
PFDCR	140	SECR	167	WPCR	284
PFDDR	140	SEDR	167	WPHR	285
PFDR	140	SELR	167	WPLR	284
PFFR	140	serial port address regis-		WPSxR	286
PGCR	143, 144	ters	168	WPxHR	287
PGDCR	143	serial port control regis-		WPxLR	286
PGDDR	143	ters	173, 174, 175	XPC register	26, 27
PGDR	143	serial port data registers ..	168	reset	95, 96
PGFR	143	serial port extended asynchro-		revision history	273, 276
PWL0R	312	nous registers	176	alternate output port connec-	
PWL1R	312	serial port extended registers		tion for numerous peripher-	
PWL2R, PWL3R	312	clocked serial mode	177	als	276
PWLxR	103	serial port HDLC mode ex-		expanded low-power capabili-	
PWMxR	103	tended registers	178	ty	276
PxFR	67	serial port HDLC mode status		external I/O interface enhance-	
QDCR	110, 113, 314	registers	172	ments	276
QDCSR	110, 112	serial port long stop regis-		ID registers for version ...	276
QDCxHR	314	ters	169	integrated Schmitt trigger	276
QDCxR	110, 113	serial port status registers	170	276	
Rabbit 3000A internal I/O	327	SESR	167	internal I/O address space	276
RAMSR	291	SFAR	167	interrupt after I/O with short	
reading/writing to I/O registers	242	SFCR	167	/CSx enabled bug fix ..	276
revision-level ID	282	SFDR	167	IrDA bug fix	276
RTCxR	92	SFER	167	LDIR/LDDR with wait states	
SAAR	166	SFLR	167	bug fix	276
SACR	166	SFSR	167	memory protection	276
SADR	166	shadow registers	243	multiply-add and multiply-	
SAER	166	SPCR	130, 204, 205	subtract	276
SALR	166	SPDxR	204	parallel port alternate func-	
SASR	166	SPSR	204, 206	tions	316
SBAR	166	stack pointer	22	Port A decode bug fix	276
SBCR	166	status register	22	PWM improvements	276
SBDR	166	STKCR	290	quadrature decoder improve-	
SBER	166, 167	STKHLR	290	ments	276
SBLR	166	STKLLR	290	RAM segment relocation	276
SBSR	166	SWDTR	292	secondary watchdog timer	
SCAR	166	System/User mode	319	276	
SCCR	166	TACR	151, 154	stack protection	276
SCDR	166	TACSR	151, 152	System/User mode	276
		TAPR	151, 154	variants of block move op-	
				codes	276

S

secondary watchdog timer ..292
serial ports 11, 161
 9th bit protocols196
 address registers168
 baud rates163
 breaks194
 clocked serial ports (Ports A–D)182
 clocked serial timing185
 control registers (Ports A–B)173
 control registers (Ports C–D)174
 control registers (Ports E–F)175
 controlling RS-485 driver and receiver193
 data and parity bits163
 data registers168
 dummy characters193
 extended asynchronous mode registers176
 extended registers clocked serial mode (Ports A–D) .177
 extra stop bits, parity194
 HDLC mode extended registers (Ports E–F)178
 HDLC mode status registers (Ports E–F)172
 interrupt service routines .192
 interrupts179
 long stop registers169
 master/slave protocol196
 Modbus196
 periodic interrupts194
 Ports E–F synchronous communication187
 receive serial data timing .181
 registers164
 status registers170
 status registers clock serial ports (A–D)171
 transmit serial data timing 180

slave port53, 199
 applications206
 hardware design204
 messaging protocol207
 protocols206
 R/W cycles200
 registers204
 typical connections203
sleepy mode231, 233
specifications
 DC characteristics68
 I/O buffer sinking and sourcing limits69
 power consumption229
spectrum spreader80, 86
 EMI mitigation212
 registers213
stack protection289
system clock12
System/User mode283, 317
 I/O addresses320
 interrupts321
 interrupt prioritization .322
 registers319
 use324
 complete operating system326
 memory protection324
 mixed operation325

T

timers149
 Timer A150, 151
 Timer B156
timing
 quadrature decoder315
 short chip select
 299, 300, 301, 302, 303, 304
 writes ..305, 306, 307, 308, 309, 310

W

watchdog timer93
 secondary watchdog timer 292
writes
 short chip select timing ...297

X

XPC register26