

# von-F Manual Instruction

BEAUTIFUL WORLD  
GREEN IT UP!

- **Certified Business Name: Jastec Co.,Ltd.**
- **Device (model): Vehicle Fleet Management Service System**
- **Manufacture date: Jan, 2013**
- **Manufacturer/country : Jastec Co.,Ltd./Korea**
- **Certified code : JS0**
  
- **A radio interference of this wireless module is not providing a service related the safety of life.**

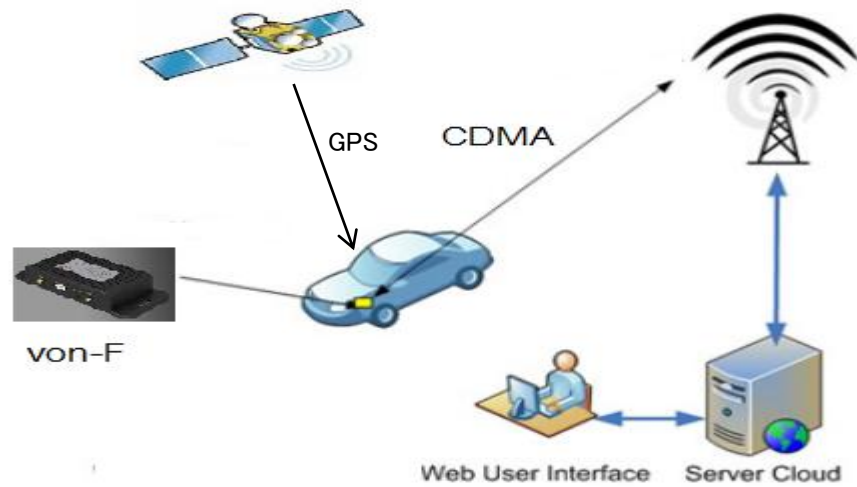
# Cautions For Safety

**We kindly recommend you to be fully aware of using a product accurately and for safety of user. All liabilities by uncomplying cautions are not supposed to be responsible to manufacturer.**

1. This product into water or prolonged exposure to moisture can cause failure resulting in no charge for broken A/S.
2. Do not disassemble or repair this product if the label seal is broken or damaged, free A/S will not be received.
3. Do not separate or equip von-F module while driving vehicle or ignition off. – This causes to car accident and defective of it.
4. Please note that on the surface of the product carefully to avoid strong detergent or chemicals.
5. This product works under the proper temperature -30~+70°C.
6. Do not impact the product. It's the cause of product defective.
7. Using other products rated voltage is the cause of the crush. Rated voltage state must be sure to use the product.
8. After parking vehicle in a safe place, install von-F module then drive.
9. When installing or removing product on the vehicle as the vehicle peripheral device could be due to injury, Please be careful.
10. Incorrect installation of the product by the vehicle's shock and vibration and can cause data loss, after the installation, please check it properly.
11. Products by shock or vibration of the vehicle is released from the car because it can cause data loss if the installation status checks on a regular basis. This product is equipped with a breakdown of the car by the impact of accidents, damage, of driving record, we are not responsible for missing.

# 1. von-F Descriptions

## 1.1 Overview



von-F as vehicle Fleet Management Service System designed to collect a vehicle driving information from ECU(Electronic Control Unit) By OBD standard protocol communication and can be saved a driving logs by connecting to PC.

# 1. von-F Descriptions

## 1.2 Specifications

Item	Description
CPU Processor	32-bit ARM Cortex-M3(256KB Flash, 64KB SRAM)
In-Vehicle Protocol	ISO 9141-2, ISO 14230-4(KWP-2000),ISO 15765-4(CAN), SAE J1850(PWM/VPWM)
Vehicle Data Links	- SAE J1939 : Battery Source, Backup Battery, Ignition, GND,CAN High, CAN Low - SAE J1708 : Battery Source, Backup Battery, Ignition, GND,J1708+, J1708-
RS-232	1 Port(TX, RX & GND), 115,200BPS
Analog/Digital Input	6 Ports
Relay Drive Output	4 Ports (Max 0.5A/24V)
Reference Drive Output	1 Ports (Max 0.5A/5V)
Supported Functions	SAE J1979 Mode \$01~\$0A
Vehicle Interface	SAE J1962 Standard OBD-II 16 PIN Connector
USB Port	USB 2.0 Compatible, VCP(Virtual COM Port) Supported
CDMA or GSM/GPRS	800/1900 MHz 1xRTT, GSM/GPRS/EDGE 850/900/1800/1900MHz
G-Sensor	Bosch 3-Axis 10-Bit Resolution, BMA150
GPS	SGPS, AGPS, gpsOneXTRA-tm
USB Port	USB 2.0 Compatible, VCP(Virtual COM Port) Supported
Power	Automotive grade 8 - 36V

# 1. von-F Descriptions

## 1.3 Functions

Driving logs record	Saving vehicle information.
	Collecting and saving driving logs information. Vehicle identification information / module certification / module serial number information / driving data starting time and ending time / ignition On and Off time / Accumulated driving distance / module connection and disconnection time / driving information transmitting time / acceleration pedal or throttle valve open angle
Driving information security	Encoded saving data to not modify a driving recorded information.
Driving information upload	CDMA 1x transmitter preferred.
Power saving function	Automatically power will be off when ignition off.
Self diagnostic	Supporting self diagnostic function through von-F module operating check (Indicator).
Firmware upgrade support	Supporting firmware upgrade

# 1. von-F Descriptions

## 1.4 Specification

Specification	
CPU	32 bit ARMv7 Cortex-M3
LED	Display LED
Vehicle protocol	SAE J1939, SAE J1708
Connector type	SAE J1962 OBD-II 16Pin Standard Connector
Power	DC 12V / 24V vehicle Battery
Power consumption	Max power consumption: $\leq 2000\text{mW}$ [saving mode] : $\leq 50\text{mW}$
Case	Color: Black, Material: ABS
Size	[W]160mm X [D]80mm X [H]30mm
Weight	180 g
Operating temperature	-30 ~ 70°C

External interface specification	
USB	USB 1.1(2.0 Compatible) VCP(Virtual COM Port) Supported
CDMA 1xRTT (JTBT1100)	800/1900 MHz 1xRTT, GPSoneXTRA-tm CDMA 1xRTT FL/RL : 153Kbps

# 1. von-F Descriptions

## 1.4 Composition



von-F Module



Quick Start Manual



프로그램 설치 CD



USB 케이블

Name	Function
von-F module	Connection to vehicle von-F connector.
DLC cable	Between Vehicle and von-F Module
Quick Start Manual	Quick guide manual
Program installation CD	von-F PC Manager installation program, included in user's manual.



# 1. von-F Descriptions

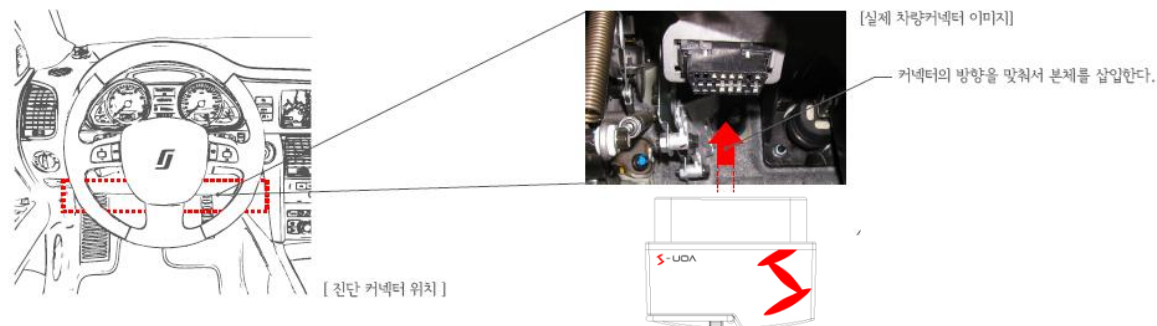
## 1.5 Body description



Front display LED	4-Indicator display LED
DLC connector	Connect to vehicle OBD diagnostic port.
DI/DO Connector	Optional
Back RF Connector Port	CDMA Ant Port, GPS Ant Port
USB Connector	F/W Update Connector

## 2. Product Instructions

### 2.1 von-F module installation



von-F module installation is following below order.

1. von-F module installation requires after vehicle parking in safety area.

**\*\* Caution :** A side brake or foot brake should be locked and shift also checked on the parking position.

2. Please check vehicle engine should be off when if ignition on

## 2. Product Instructions

### 2.3 von-F module separation

- \*\* Caution : von-F module separation should be performed at safety area after parking.
- \*\* Caution : The separation from vehicle is prohibited if not the purpose of driving data saving or transmitting.
- \*\* Caution : Performing von-F module separation on ignition on may be caused to data loss or module damaged.

1. Turn vehicle ignition off.
2. Pull von-F module from vehicle OBD diagnostic Cable then separating it.

# 3. Warranty & After Sale Service

## 3.2 Warranty Service

1. Warranty Period : 1 year
2. Warranty Details
  - 1) Any defective or damage within warranty period can be repaired free A/S service or exchanged as free of charge.
  - 2) Any damage or defective by customer's misuse is not allowed free exchange or free charged A/S service.
3. Exchange and Return
  - 1) An exchange or return is possible within 1 week after purchase if not opening box.
  - 2) A shipping charge against returning product because of just customer's changed mind may be paid by customer.
4. Others
  - 1) Warranty period is valid only for 12 months from manufacturing date if not checking a purchasing date.
  - 2) Repair charge will be billed even though it's warranty period as below.
    - Defective by user's misuse (impact/flooded/fault)
    - Dismantle or alteration by user's intention.
    - Defective by natural disaster.
    - Repaired not in official After Sales service centre.
  - 3) Please contact to A/S call service centre for repair charges.  
A/S call service : (031-719-5170 Extension : 206)



FCC ID : [UK4JFCM-1000](#)

This device complies with part 15 of the FCC Rules. Operation is subject to the following two conditions:

- (1) This device may not cause harmful interference, and
- (2) this device must accept any interference received, including interference that may cause undesired operation.

Any changes or modifications (including the antennas) made to this device that are not expressly approved by the manufacturer may void the user's authority to operate the equipment.