



# ROLLIN' RACER RC CHUCK USER GUIDE



- Included in box:
- User Guide
  - Rollin' Racer RC Chuck vehicle
  - Remote Control Handset

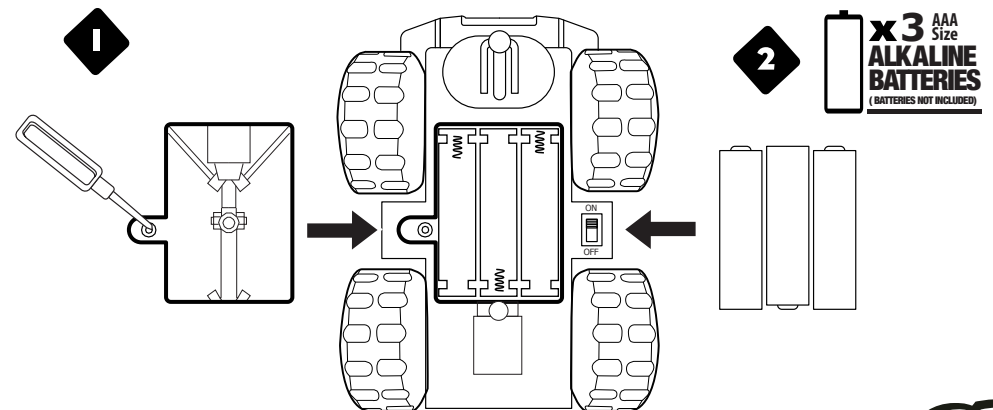
Congratulations of your purchase of Rollin' Racer RC Chuck. Please read all information in this manual thoroughly before use to ensure safe, convenient operation.

## INSTRUCTIONS

### 1. Add Batteries

Ensure both Rollin' Racer RC Chuck Vehicle and remote control unit settings are set to the "OFF" position. Using a Phillips/cross head screwdriver (not included) unscrew the battery door compartment and insert batteries, following correct polarity and adhering to the battery warnings. The Rollin' Racer RC Chuck Vehicle requires 3 x AAA batteries and the remote control unit requires 2 x AAA batteries. Close the battery door and replace the screw on position.

#### ROLLIN' RACER RC CHUCK VEHICLE BATTERY COMPARTMENT



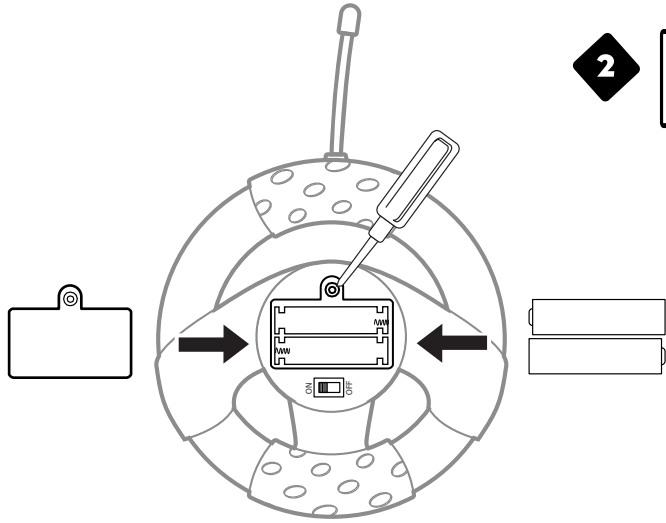
#### ⚠ CAUTION:

Hair entanglement may result if child's hair comes in contact with moving parts of toy. Adult supervision is required.



## REMOTE CONTROL BATTERY COMPARTMENT

1

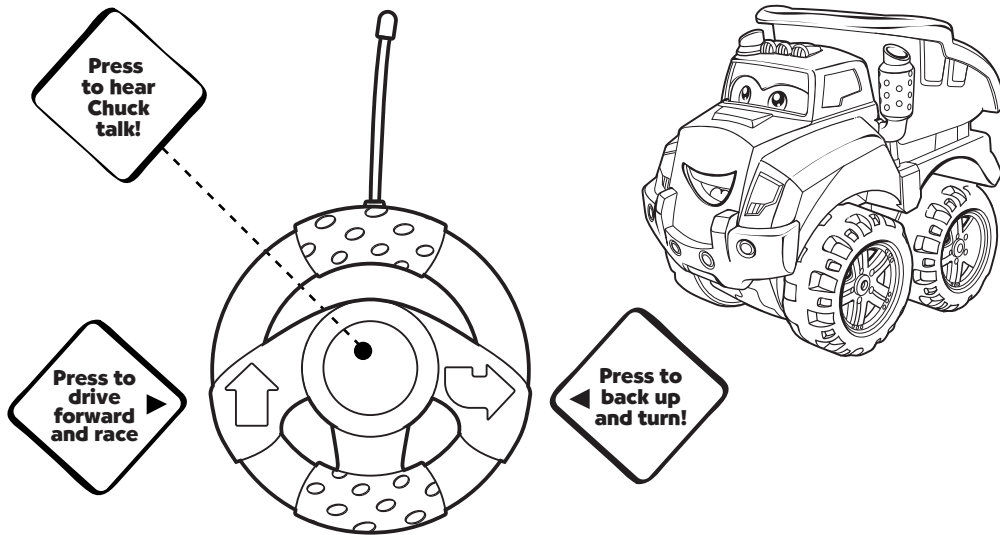


2



## 2. Operation

Turn the vehicle and remote control settings to "ON" and use the remote control to steer your new Rollin' Race RC Chuck vehicle.



## NOTES & TROUBLESHOOTING

- Remote control handset will function up to a distance of 16 feet (5 meters) from the golf cart.
- Fully charged batteries will allow the golf cart to function continuously for approximately 45 minutes.
- This product does not transmit well through obstacles such as buildings, metal structures and trees.
- Replace batteries if the vehicle does not operate as usual or signal range decreases noticeably.

2

## SAFETY INFORMATION

- Batteries are to be replaced by an adult.
- Non-rechargeable batteries are not to be recharged.
- Rechargeable batteries are to be removed from the toy before being charged.
- Rechargeable batteries are only to be charged under adult supervision.
- For best performance only the recommended batteries or their equivalent are to be used.
- Batteries must be inserted with correct polarity.
- Do not mix new and used batteries.
- Do not mix different types of batteries.
- Exhausted batteries are to be removed from the toy.
- The supply terminals are not to be short-circuited.
- This product is not recommended for use on loose dirt or wet surfaces.
- Do not immerse in water. Sponge clean only.

### FCC ID: YN1JAZWARES92572

This device complies with Part 15 of the FCC Rules. Operation is subject to the following two conditions: (1) this device may not cause harmful interference, and (2) this device must accept any interference received, including interference that may cause undesired operation.

**WARNING:** Changes or modifications to this unit not expressly approved by the party responsible for compliance could void the user's authority to operate the equipment.

**NOTE:** This equipment has been tested and found to comply with the limits for a Class B digital device, pursuant to Part 15 of the FCC Rules. These limits are designed to provide reasonable protection against harmful interference in a residential installation. This equipment generates, uses and can radiate radio frequency energy and, if not installed and used in accordance with the instructions, may cause harmful interference to radio communications. However, there is no guarantee that interference will not occur in a particular installation. If this equipment does cause harmful interference to radio or television reception, which can be determined by turning the equipment off and on, the user is encouraged to try to correct the interference by one or more of the following measures:

- Reorient or relocate the receiving antenna.
- Increase the separation between the equipment and receiver.
- Connect the equipment into an outlet on a circuit different from that to which the receiver is connected.
- Consult the dealer or experienced radio/TV technician for help.

### HOW TO CLEAN YOUR CHUCK MY TALKING TRUCK™

- To Clean, wipe with a damp cloth, use water only.
- Do not submerge in water.
- Do not use chemical or abrasive cleaners.

Licensed By:



Product and colors may vary.  
© 2015 Hasbro. All Rights Reserved.  
TM & ® denote U.S. Trademarks.

VISIT  
**CHUCKANDFRIENDS**  
.COM

**PROBLEMS?**  
DO NOT RETURN TO STORE  
Please Call Us: 1.800.370.1827  
(U.S. Customers Only)

**IMPORTANT:**  
Please save this instruction sheet.  
It contains valuable product information.

Made in China.  
Jazwares LLC.  
1067 Shotgun Road Sunrise, FL. 33326 USA  
16A Crane Grove, London, N7 8LE United Kingdom  
www.jazwares.com

3



Protect the environment by not disposing of this product with household waste (2002/96/EC). Check your local authority for recycling advice and facilities.