

Operation Instructions

Thank you for purchasing this monitor, a high-resolution multi-scan color LCD-TV-monitor.

Please read this guide thoroughly before installation.

FCC RADIO FREQUENCY INTERFERENCE STATEMENT WARNING: (FOR FCC CERTIFIED MODELS)

This monitor has been tested and found compliant with the limits for a Class B digital device, pursuant to part 15 of the FCC Rules. These limits are designed to provide proper protection against harmful interference to a residential installation. This monitor generates, uses, and can radiate radio frequency energy. Harmful interference to radio communication may be led as a result if it's not properly installed and used. However, there is no guarantee that interference will not occur in a particular installation. If this monitor does cause serious interference to radio or television reception, resetting the monitor may determine it. Moreover, users are encouraged to correct interference by doing one or more of the following:

- Reorient or relocate the receiving antenna.
- Move the monitor and the receiver further away from each other.
- Connect the monitor into an outlet on a circuit different from that to which the receiver is connected.
- Consult your local dealer or an qualified technician.

FCC Warning:

To assure a continued FCC compliance, a user must use a grounded power supply cord and the provided shielded video interface cable with bonded ferrite cores. Also, any unauthorized changes or modifications to this monitor would void the user's authority to operate this device.

Note: If necessary, shielded interface cables and AC power cord must be used to meet the emission level limits.

EMI Certification:

The Class B digital apparatus meets all requirements of the Canadian Interference-Causing Equipment Regulation.

Cet appareil numerique de class B respecte toutes les exigences du Reglement sur le materiel brouilleur du Canada.

Content

Fisrt Setup	3
Front Panel Control	4
Installation	5
Remote Control	7
Using the OSD functions	8
-TV mode	8
-Video (Include-YCbCr, AV)	13
-PC mode	15
Timing modes	21
TV-Frequency table	22
Technical Information	24
Safety Precaution	25
Care and Maintenance	26

First Step

Thank you for purchasing this monitor of high performance!
This monitor package comes with:

- ◆ Power Cable
- ◆ User Guidebook or CD-ROM (You're reading now)
- ◆ Remote control 29 key
- ◆ Audio Cable for PC type 1.5m.

Quick Installation

1. Connector TV ANTANA or CATV Cable or Connect video cable

Make sure both the monitor and computer are powered OFF.
Connect the video cable to the computer, then to the monitor.

2. Connect Power Card

Connect the power cord to a properly grounded AC outlet, then to the monitor.

3. Power-ON computer and monitor

Power-ON the computer, then Power-ON the monitor.

4. Setting input source for LCD-TV-monitor from source of remote, or OSD menu.

5. If in PC mode Windows Users:

Setting the Timing Mode
(Resolution and Refresh Rate)

Example: 800 x 600 @ 75 Hz

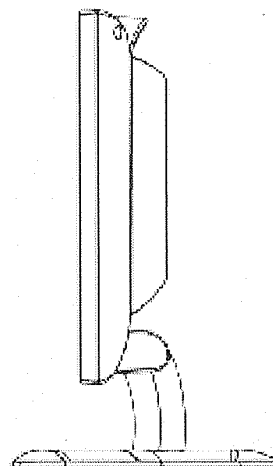
Resolution Right-click on the Windows desktop > Properties > Settings > "Desktop Area". Set the resolution.

Refresh Rate (vertical frequency)

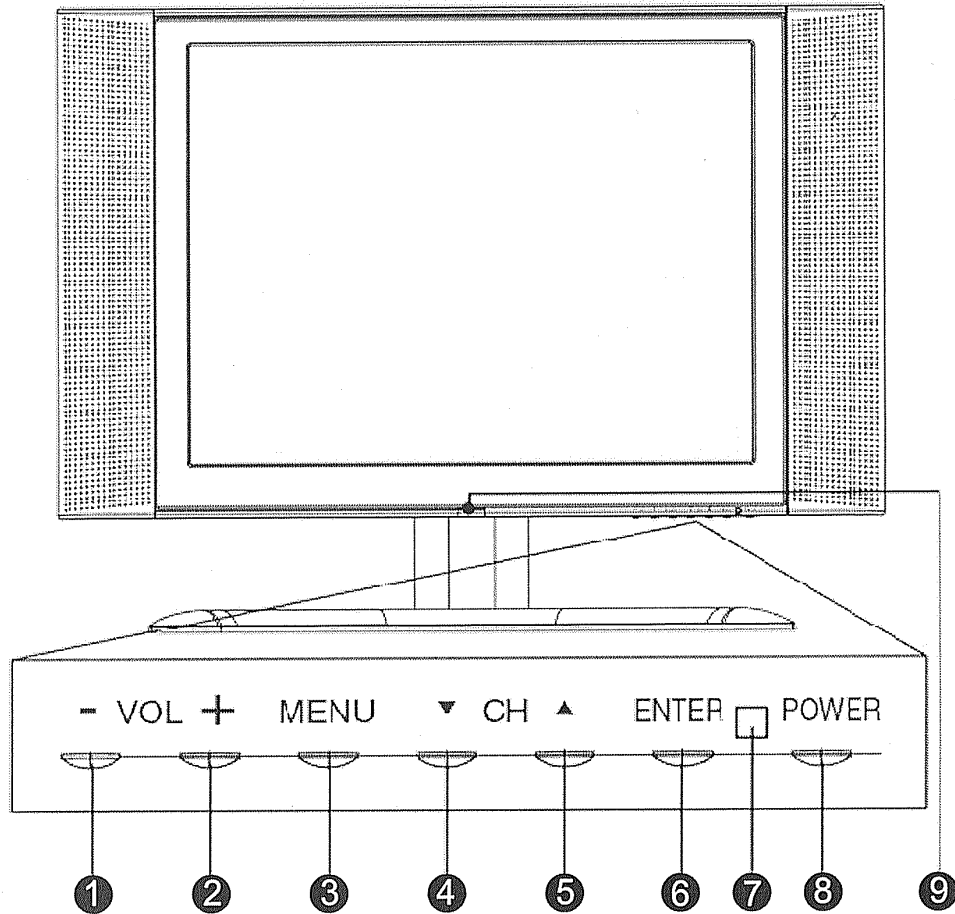
See your graphic card's user guide for instructions.

6. If in TV mode you can auto scan

TV channel from OSD indicat
(page 7.)

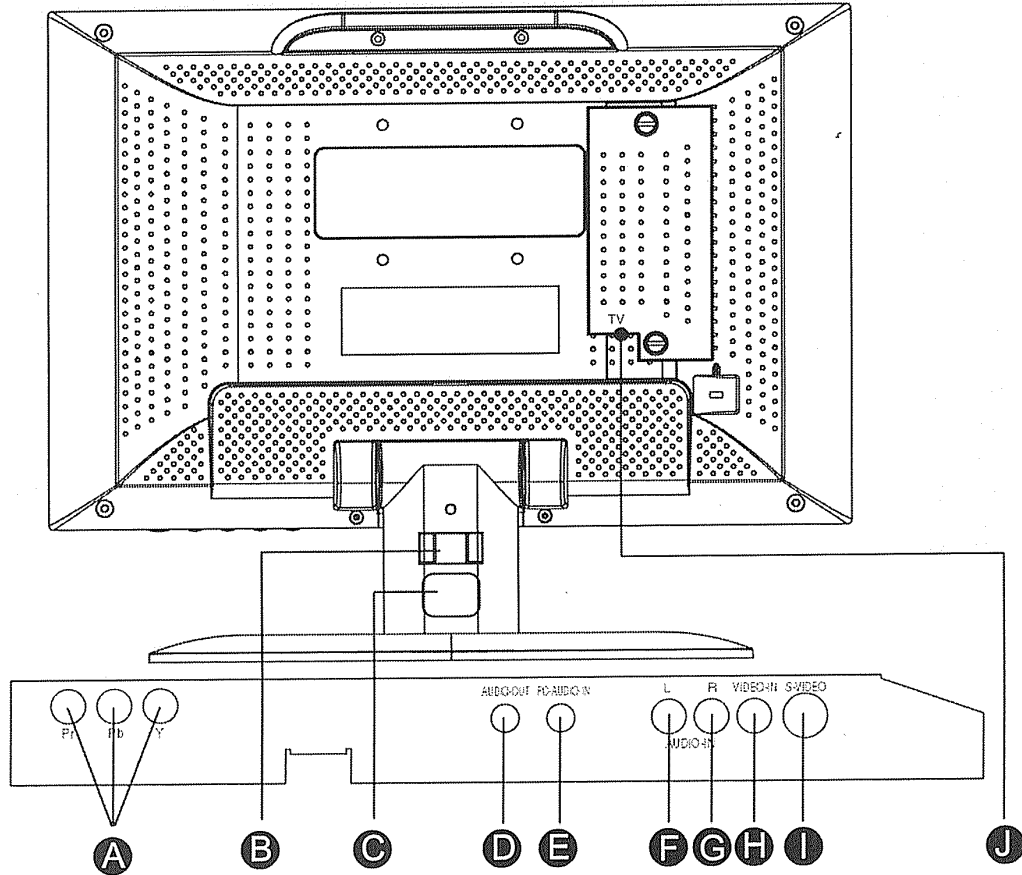


Front Panel Control



- | | |
|---|--------------------------------|
| ① | Volume Down or adjust decrease |
| ② | Volume Up or adjust increase |
| ③ | Menu Key OSD ON/OFF |
| ④ | Scroll Down |
| ⑤ | Scroll UP |
| ⑥ | Enter |
| ⑦ | Power LED indicator |
| ⑧ | Power ON/OFF switch |
| ⑨ | Remote control receiver |

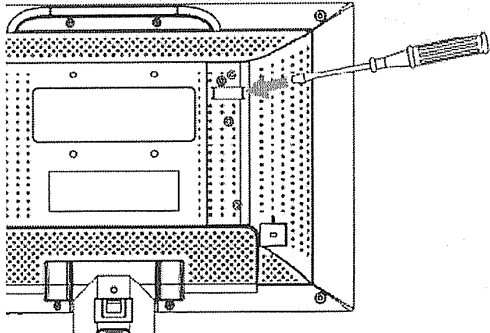
Installation



A	YCbCr signal input
B	VGA signal input
C	Power input (AC input)
D	Audio output
E	Audio input of PC
F	Video signal Audio input (left)
G	Video signal Audio input (right)
H	AV Video input
I	S-Video input
J	TV signal input

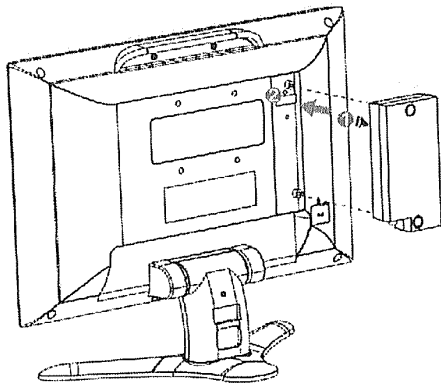
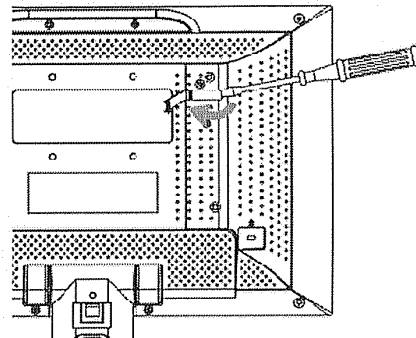
Installation

Tuner Box Installation:



1. Prepare a slotted screwdriver and the two included screws.

2. Use the screwdriver to pry off the cover as shown.



3. Insert the connection wires (1) into the monitor (2) as shown.

4. Screw in the two included screws to secure it and insert the external antenna connection.

