

OWNER'S MANUAL

Please read before using this equipment.

Passive Infrared Sensor Alarm

with Keychain Remote

FEATURES

Passive Infrared Sensor Alarm is a high-quality, battery-operated security device. It uses a passive infrared (PIR) motion sensor to detect intruders and activate a built-in alarm.

The sensor alarm's features include:

Wireless RF (Radio Frequency) Operation — provides maximum reliability with no wiring required.

Built-In PIR Sensor — detects motion up to 30 feet (9.1 meters) away and from an angle of up to 110 degrees.

Built-In Alarm Siren — activates when the sensor detects an intruder, then automatically shuts down and resets after about 2 minutes.

User-Programmable Security Code — lets you set your own disarm code.

Entry/Exit Delay — gives you 30 seconds to disarm the sensor alarm after you enter the protected area, and gives you 10 seconds to leave the protected area after you arm the alarm.

Chime — lets you select a more pleasant sounding doorbell-type chime as the audible alarm.

Panic Alarm — sounds the alarm immediately if you press **PANIC** on the main unit or if you press both **ARM** and **DISARM** (at the same time) on the remote control.

RF Remote Control Keychain — gives you simple handheld control of your sensor alarm up to 50 feet (15.2 meters).

Battery-Operated — works even when electrical power is off.

CONTENTS

Preparation	5
Installing Batteries	5
Setting the Security Code	8
Main Unit	8
Remote Control	10
Resetting the Security Code	12
Installation	13
Choosing a Mounting Location	13
Temporarily Placing the Sensor Alarm	14
Checking the Coverage Area	15
Mounting the Sensor Alarm	16
Operation	18
Arming and Disarming the Sensor Alarm	18
Arming	18
Disarming	20
Using the Chime Alarm	21
Using the Panic Alarm	22
Care	23
Replacing the Remote Control's Battery	23
FCC Statement	25
Specifications	27

PREPARATION

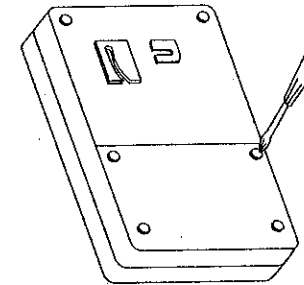
INSTALLING BATTERIES

The main unit of your sensor alarm requires four AA batteries (not supplied) for power. For the best performance and longest life, we recommend alkaline batteries (available at your local RadioShack store).

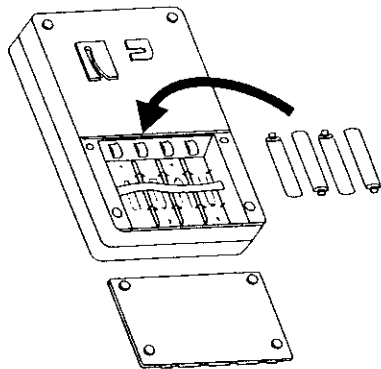
Cautions:

- Use only fresh batteries of the required size and recommended type.
- Do not mix old and new batteries, different types of batteries (standard, alkaline, or rechargeable), or rechargeable batteries of different capacities.

1. Use a Phillips screwdriver to remove the two screws from the battery compartment cover, then lift off the cover.



- Place the batteries in the compartment and on top of the attached ribbon, as indicated by the polarity symbols (+ and -) marked inside.



Note: As soon as you press the last battery in place, the alarm sounds a loud chirp and both the red and the green indicators light briefly.

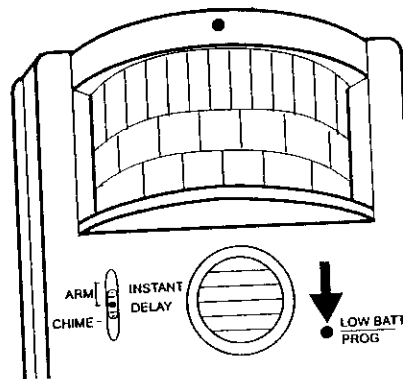
- Replace the cover, then reinsert and tighten the screws.

Notes:

- The alarm is disarmed after batteries are installed.
- Replacing the main unit's batteries automatically resets the security code to 1234. Any time you replace these batteries, be sure to apply the current security code to the remote control

so the sensor alarm will recognize the remote signals (see "Remote Control" on Page 10).

When the main unit's **LOW BATT** indicator flashes about every 5 seconds, or if the sensor alarm stops operating properly, replace the batteries.



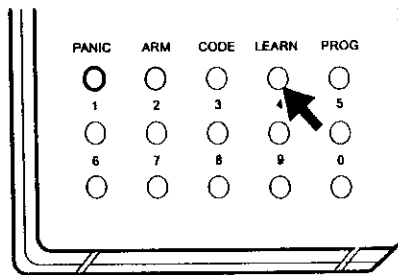
Cautions:

- Dispose of old batteries promptly and properly. Do not burn or bury them.
- Always remove old or weak batteries. Batteries can leak chemicals that can destroy electronic parts.

Remote Control

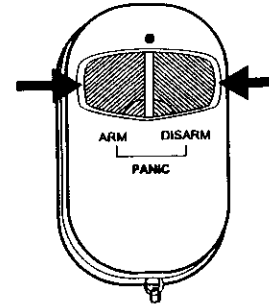
Each time you remove and replace the batteries in the main unit, you must program the main unit to recognize the remote control's signals. If you change the security code, there is no need to reprogram the main unit; it will still recognize the remote signals. Follow these steps to program the main unit so you can use your remote control.

1. Set the slide switch to either of the **ARM** settings.
2. Press **PROG**. The sensor alarm beeps once and its green **PROG** indicator lights.
3. Press **LEARN**. The sensor alarm beeps twice and its **PROG** indicator flashes slowly.



4. Enter your four-digit security code. The sensor alarm beeps three times and its **PROG** indicator flashes quickly.

5. Press **ARM** or **DISARM** on your remote control. The alarm's **PROG** indicator lights steadily and the sensor alarm chirps, indicating that it received the remote signal.



6. Press **PROG**. The sensor alarm's **PROG** indicator turns off.

Note: If you do not press a button for about 30 seconds, the sensor alarm beeps, its **PROG** indicator turns off automatically, and (if you have not completed Step 4) the sensor alarm does not recognize the remote signals. Start over at Step 1.

Try arming and disarming your sensor alarm from the remote control to be sure the sensor alarm recognizes the remote signals (see "Arming and Disarming the Sensor Alarm" on Page 18).

RESETTING THE SECURITY CODE

If you ever forget your security code, you can easily reset it to the default code (1234) by removing and reinstalling the main unit's batteries (see "Installing Batteries" on Page 5).

Remember that after removing and reinstalling batteries in the main unit, you must program the main unit to recognize the remote control's signals (see "Remote Control" on Page 10).

Note: The alarm is disarmed after batteries are installed.

INSTALLATION

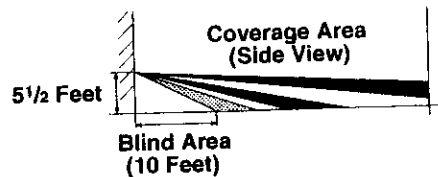
To help you avoid false alarms, mount your sensor alarm's main unit:

- where it will not be in direct sunlight
- away from heat sources, such as space heaters, radiators, and exposed light bulbs
- out of strong drafts, like those caused by central heating vents or air conditioners or air movement around fireplaces, exterior walls and windows, and refrigerators
- so it does not detect your pet's movements

CHOOSING A MOUNTING LOCATION

The sensor alarm's main unit is designed to be mounted on a smooth, flat wall surface. Select a mounting location where the alarm is most likely to detect an intruder. We recommend mounting it at a height of about 5½ feet (1.7 meters). At this height, the sensor alarm detects motion up to 30 feet (9.1 meters) away and from an angle of up to 110 de-

grees. However, there is a blind area of about 10 feet (3 meters) directly in front of the main unit.



Note: Your sensor alarm's coverage depends on how high you mount it, the shape of the room(s), furniture placement in the area, and so on.

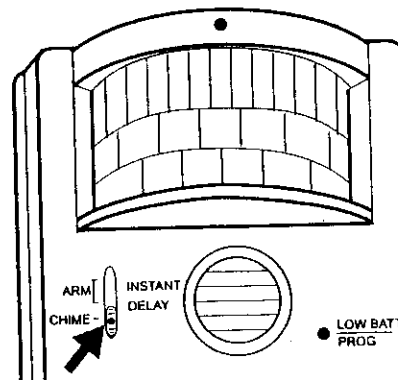
TEMPORARILY PLACING THE SENSOR ALARM

Before you permanently mount the sensor alarm, temporarily place it at the selected location so you can check the coverage area. You might need to check several *different* locations to find the best one. Place the main unit on a stepladder (for example) at the recommended height, then move the stepladder to various locations in the room(s) you want to protect.

Checking the Coverage Area

To be sure the sensor detects motion in the areas you want to protect, follow these steps.

1. If necessary, disarm the sensor alarm (the red indicator should not be flashing) by entering the current security code.
2. Confirm that the area is clear of anything that might trigger the alarm (such as people and pets).
3. Set the main unit's slide switch to **CHIME**. A doorbell-type chime immediately sounds.



4. Walk around in the protected area. When the sensor alarm detects your motion, the chime sounds again.
 - If the sensor alarm does not chime when you

are within the coverage area, change the main unit's location.

- If the sensor alarm chimes when you are outside the coverage area, check the area to see what is causing the false alarm and remove the item, or change the main unit's location.

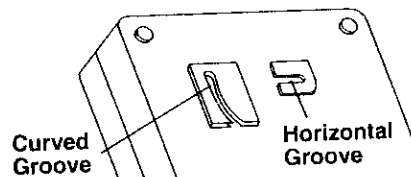
MOUNTING THE SENSOR ALARM

After you determine the best location for your sensor alarm, follow these steps to mount it on the wall.

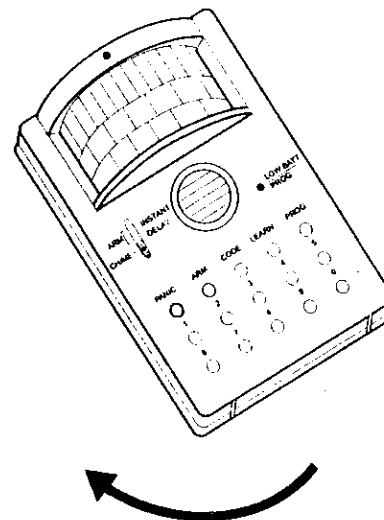
1. If necessary, disarm the sensor alarm (the red indicator should not be flashing) by entering the current security code.
2. Drill two holes $1\frac{3}{8}$ inches (35 mm) apart. Then thread a screw into each hole, letting the heads extend about $\frac{3}{16}$ inch (5 mm).

Note: The two supplied mounting screws are suitable for mounting the sensor alarm's main unit on a wooden surface. If you are mounting the main unit on drywall, masonry, or another type of surface, use the appropriate mounting hardware (not supplied).

3. Turn the main unit about 30 degrees counter-clockwise, then slide the left screw head into the horizontal groove on the back of the unit.



4. Turn the main unit clockwise (so the right screw head slides into the curved groove) until it is secure.



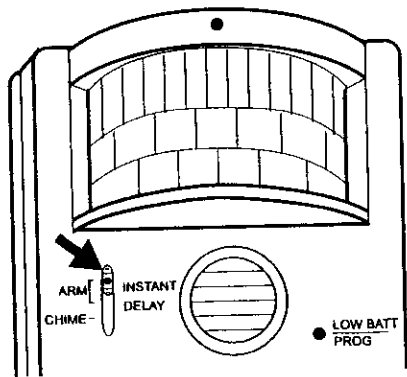
OPERATION

We recommend that you test the sensor alarm at least once a month by arming and disarming it as described in the following section.

ARMING AND DISARMING THE SENSOR ALARM

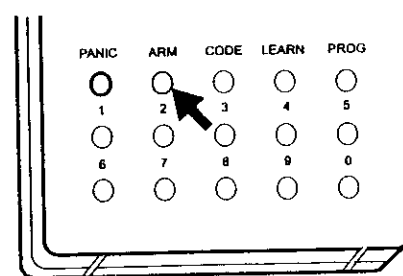
Arming

To have the alarm's siren sound as soon as the sensor detects motion, set the main unit's slide switch to **INSTANT**.



To have the alarm's siren sound about 30 seconds *after* the sensor detects motion, set the slide switch to **DELAY**.

To arm the sensor alarm, press **ARM** on the main unit or on the remote control. At either the **INSTANT** or **DELAY** settings, you have 10 seconds to leave the sensor alarm's coverage area. During this exit delay, the main unit beeps every second and its red indicator flashes. At the end of the 10-second delay, the main unit beeps twice, the indicator flashes about every 5 seconds, and the sensor alarm is armed.



If you arm the sensor alarm in the **INSTANT** setting, when the alarm detects motion in the protected area, the alarm siren sounds immediately and the indicator stays on.

If you arm the sensor alarm in the **DELAY** setting, when the alarm detects motion in the protected area, the indicator flashes every second for about 30 seconds, then the alarm siren sounds and the indicator stays on.

The alarm siren sounds for up to 2 minutes. To stop it sooner, disarm the alarm (see "Disarming"). If you do not disarm the alarm, the sensor alarm is still armed and the siren will sound again the next time the sensor detects motion.

Disarming

To disarm the sensor alarm and stop the alarm from sounding, enter your four-digit security code. The main unit beeps twice when you enter the correct code.

To temporarily silence the alarm using the remote control, which gives you time to enter your security code, follow these steps.

1. Press **DISARM** on the remote control.

The alarm stops sounding for about 30 seconds. During this pause, the main unit beeps every second and its red indicator flashes.

2. Enter your four-digit security code within 30 seconds. Otherwise, the alarm will sound again.

Notes:

- You can temporarily silence the alarm only once each time you disarm it.

-
-
- If entering your security code does not disarm the sensor alarm, try entering the default code (1234). If that code does not disarm the alarm either, remove the sensor alarm from the wall and remove and reinstall the batteries. This resets the security code to 1234.

USING THE CHIME ALARM

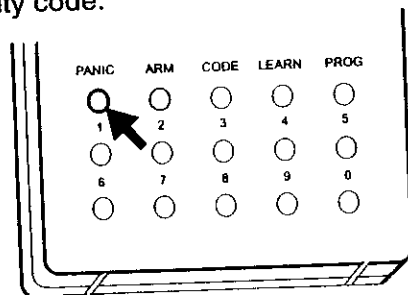
If you prefer to hear a chime instead of a siren when the sensor alarm detects motion, follow these steps.

1. If necessary, disarm the sensor alarm (the red indicator should not be flashing) by entering the current security code.
2. Set the slide switch on the main unit to **CHIME**. A doorbell-type chime immediately sounds.
3. When the sensor detects any motion, the chime sounds again.

Note: There is no need to arm or disarm the alarm when using the **CHIME** setting because the chime sounds every time the sensor detects motion. To turn off the chime, set the slide switch to either **INSTANT** or **DELAY**.

USING THE PANIC ALARM

If you want to startle an intruder (for example) by instantly sounding the alarm siren, simply press **PANIC** on the main unit or press **ARM** and **DISARM** on the remote control at the same time. The siren alarm immediately sounds, even if the sensor alarm was set to **CHIME** or not armed at all. The alarm sounds for up to 2 minutes. To stop it sooner, enter your current security code.



CARE

To enjoy your Alarm for a long time:

Passive Infrared Sensor

- Keep the sensor alarm and remote dry. If they do get wet, wipe them dry immediately.
- Use and store the sensor alarm and remote only in normal temperature environments.
- Handle the sensor alarm and remote gently and carefully. Don't drop them.
- Keep the sensor alarm and remote away from dust and dirt.
- Wipe the sensor alarm and remote with a damp cloth occasionally to keep them looking new.

Modifying or tampering with the sensor alarm's or remote's internal components can cause a malfunction and invalidate the system's warranty. If your sensor alarm system is not performing as it should, take it to your local RadioShack store for assistance.

REPLACING THE REMOTE CONTROL'S BATTERY

Your sensor alarm's remote control uses the supplied 12V alkaline battery for power. When the re-

remote control's indicator lights dimly or not at all when you press **ARM** or **DISARM**, or if the remote control stops operating properly (the main unit cannot receive the remote control's signals), replace the battery. We recommend you replace it with an alkaline battery (available at your local RadioShack store).

Cautions: Use only a fresh battery of the required size and recommended type.

Follow these steps to replace the battery.

1. Using a Phillips screwdriver, remove the screw from the back of the remote control, then lift off the back case.
2. Remove the old battery, then place a fresh battery inside the back cover, as indicated by the polarity symbols (+ and -) marked inside.
3. Be sure the small loop on one end of the key-chain fits over the post inside the back cover, then replace the cover. Reinsert and tighten the screw.

Note: You do not need to reset the remote control or main unit after replacing the remote's battery.

Cautions:

- Dispose of the old battery promptly and properly. Do not burn or bury it.
- Always remove an old or weak battery. Batteries can leak chemicals that can destroy electronic parts.

FCC STATEMENT

This equipment has been tested and found to comply with the limits for a Class B digital device, pursuant to Part 15 of the *FCC Rules*. These limits are designed to provide reasonable protection against harmful interference in a residential installation. This equipment generates, uses, and can radiate radio frequency energy and, if not installed and used in accordance with the instructions, may cause harmful interference to radio communications. However, there is no guarantee that interference will not occur in a particular installation. If this equipment does cause harmful interference to radio or television reception, which can be determined by turning the equipment off and on, the user is encouraged to try to correct the interference by one or more of the following measures:

-
- Reorient or relocate the receiving antenna.
 - Increase the separation between the equipment and receiver.

Consult the dealer if the problem still exists.

Changes or modifications not expressly approved by RadioShack may cause interference and void the user's authority to operate the equipment.

SPECIFICATIONS

MAIN UNIT

Power Source	4 AA Alkaline Batteries (Not Included)
Battery Life	About 2 Months in Disarm Mode
Operating Ambient Temperature	32–122°F (0–50°C)
Operating Relative Humidity	Less than 95%
Auto Alarm Reset Time	120 ±5 Seconds
Siren Output Sound Pressure Level:	
	About 108 dB at 1 Foot (34 cm)
Internal PIR Detection Area	30 Feet (9.1 m) at a 110° Angle
Entry Delay Time	30 ±3 Seconds
Exit Delay Time	10 ±2 Seconds

KEYCHAIN REMOTE CONTROL

Power Source	12V Alkaline Battery (Included)
Battery Life	About 1 Year of Normal Use
RF Frequency	312 ±0.5 MHz
Remote Control Distance	Up to 50 Feet (15.2 m)

Specifications are typical; individual units might vary. Specifications are subject to change and improvement without notice.