

# INSTALLATION INSTRUCTIONS 27" (68.6 CM) AND 30" (76.2 CM) ELECTRIC BUILT-IN CONVECTION MICROWAVE OVEN

## INSTRUCTIONS D'INSTALLATION FOUR À MICRO-ONDES ENCASTRÉ ÉLECTRIQUE À CONVECTION DE 27" (68,6 CM) ET 30" (76,2 CM)

### Table of Contents/Table des matières

<b>BUILT-IN MICROWAVE OVEN SAFETY</b> ..... 1 <b>INSTALLATION REQUIREMENTS</b> .....2 Tools and Parts .....2 Location Requirements .....2 Electrical Requirements .....3 <b>INSTALLATION INSTRUCTIONS</b> .....4 Prepare Built-In Microwave Oven .....4 Make Electrical Connection .....4 Install Microwave Oven .....5 Complete Installation .....6	<b>SÉCURITÉ DU FOUR À MICRO-ONDES ENCASTRÉ</b> .....7 <b>EXIGENCES D'INSTALLATION</b> .....8 Outillage et pièces .....8 Exigences d'emplacement .....8 Spécifications électriques .....9 <b>INSTRUCTIONS D'INSTALLATION</b> .....10 Préparation du four à micro-ondes encastré.....10 Raccordement électrique.....10 Installation du four à micro-ondes .....11 Achever l'installation .....12
---	---

## BUILT-IN MICROWAVE OVEN SAFETY

### Your safety and the safety of others are very important.

We have provided many important safety messages in this manual and on your appliance. Always read and obey all safety messages.



This is the safety alert symbol.

This symbol alerts you to potential hazards that can kill or hurt you and others.

All safety messages will follow the safety alert symbol and either the word "DANGER" or "WARNING."

These words mean:

**⚠ DANGER**

You can be killed or seriously injured if you don't immediately follow instructions.

**⚠ WARNING**

You can be killed or seriously injured if you don't follow instructions.

All safety messages will tell you what the potential hazard is, tell you how to reduce the chance of injury, and tell you what can happen if the instructions are not followed.

# INSTALLATION REQUIREMENTS

## Tools and Parts

Gather the required tools and parts before starting installation. Read and follow the instructions provided with any tools listed here.

### Tools needed

- Phillips screwdriver
- Drill (for wall cabinet installations)
- Flat-blade screwdriver
- 1/8" (0.32 cm) drill bit (for wall cabinet installations)
- Measuring tape
- Level

### Parts needed

- A UL listed or CSA approved conduit connector
- UL listed wire connectors

### Parts supplied

- 6 screws

Check local codes. Check existing electrical supply. See "Electrical Requirements."

It is recommended that all electrical connections be made by a licensed, qualified electrical installer.

## Location Requirements

**IMPORTANT:** Observe all governing codes and ordinances.

- Cabinet opening dimensions that are shown must be used. Given dimensions provide minimum clearance with microwave oven.
- Recessed installation area must provide complete enclosure around the recessed portion of the microwave oven.
- Grounded electrical supply is required. See "Electrical Requirements" section.
- Electrical supply junction box should be located 3" (7.6 cm) maximum below the support surface when the microwave oven is installed in a wall cabinet. A 1 1/4" (3.4 cm) minimum diameter hole should have been drilled in the left rear corner of the support surface to pass the appliance cable through to the junction box.

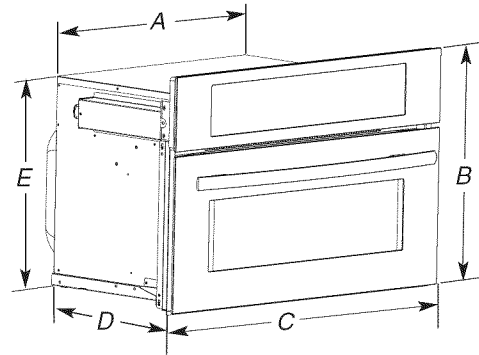
- If you are installing the junction box on rear wall behind the microwave oven, the junction box must be recessed and located in the upper or lower right or left corner of the cabinet; otherwise, the microwave oven will not fit into the cabinet opening.

- Microwave oven support surface must be solid, level and flush with bottom of cabinet cutout. Floor must be able to support a weight of 90 lbs (41.0 kg).

**IMPORTANT:** To avoid damage to your cabinets, check with your builder or cabinet supplier to make sure that the materials used will not discolor, delaminate or sustain other damage. This oven has been designed in accordance with the requirements of UL and CSA International and complies with the maximum allowable wood cabinet temperatures of 194°F (90°C).

## Product Dimensions

### 27" (68.6 cm) and 30" (76.2 cm) Microwave Ovens



#### 27" (68.6 cm) models

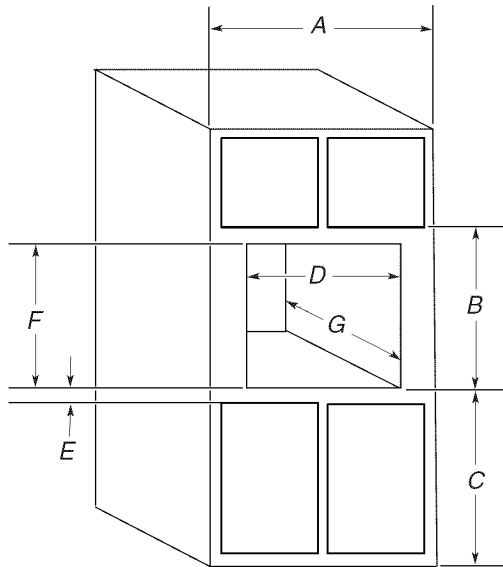
- A. 25 1/4" (64.1 cm) recessed width
- B. 19 1/8" (48.6 cm) overall height
- C. 26 3/4" (67.9 cm) overall width
- D. 22 7/16" (57.0 cm) overall depth
- E. 16 3/4" (42.5 cm) recessed height

#### 30" (76.2 cm) models

- A. 28 1/4" (71.7 cm) recessed width
- B. 19 1/8" (48.6 cm) overall height
- C. 29 3/4" (75.6 cm) overall width
- D. 22 7/16" (57.0 cm) overall depth
- E. 16 3/4" (42.5 cm) recessed height

## Cabinet Dimensions

### 27" (68.6 cm) and 30" (76.2 cm) Microwave Ovens



#### 27" (68.6 cm) models

- A. 27" (68.6 cm) min. cabinet width
- B. 19 $\frac{1}{4}$ " (48.9 cm) from bottom of cutout to bottom of upper cabinet door
- C. 40" (101.6 cm) bottom of cutout to floor (recommended)
- D. 25 $\frac{1}{2}$ " (64.8 cm) cutout width
- E. 1 $\frac{1}{2}$ " (3.8 cm) min. bottom of cutout to top of cabinet door
- F. 18 $\frac{1}{4}$ " (46.4 cm) recommended cutout height (will fit cutout height from 17" [43.2 cm] to 18 $\frac{1}{4}$ " [46.4 cm])
- G. 21 $\frac{7}{8}$ " (55.5 cm) min. cutout depth

#### 30" (76.2 cm) models

- A. 30" (76.2 cm) min. cabinet width
- B. 19 $\frac{1}{4}$ " (48.9 cm) from bottom of cutout to bottom of upper cabinet door
- C. 40" (101.6 cm) bottom of cutout to floor (recommended)
- D. 28 $\frac{1}{2}$ " (72.4 cm) cutout width
- E. 1 $\frac{1}{2}$ " (3.8 cm) min. bottom of cutout to top of cabinet door
- F. 18 $\frac{1}{4}$ " (46.4 cm) recommended cutout height (will fit cutout height from 17" [43.2 cm] to 18 $\frac{1}{4}$ " [46.4 cm])
- G. 21 $\frac{7}{8}$ " (55.5 cm) min. cutout depth

#### NOTE:

A microwave oven spacer kit is available from your dealer that will allow the microwave oven to be installed in an 18 $\frac{1}{4}$ " (46.4 cm) to 19 $\frac{7}{16}$ " (49.4 cm) maximum cutout height. Match the color and size to the following kits:

Microwave Oven Spacer Kit

27" (68.6 cm) Black - Model JMCSK27WB

27" (68.6 cm) Stainless Steel - Model JMCSK27WS

30" (76.2 cm) Black - Model JMCSK30WB

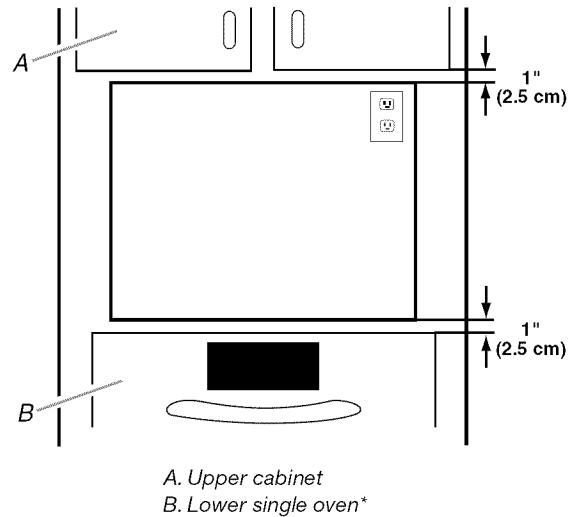
30" (76.2 cm) Stainless Steel - Model JMCSK30WS

To order, see the "Assistance or Service" section of the Use and Care Guide.

## Minimum Installation Clearances

For proper installation the following minimum clearances must exist above and below the cabinet opening.

### Installation Above Single Built-In Oven



\*Approved models: JJW3430, JJW2430, JJW2427, JJW2330, JJW2327

## Electrical Requirements

### GROUNDING INSTRUCTIONS

#### For a permanently connected microwave oven:

The microwave oven must be connected to a grounded, metallic, permanent wiring system, or an equipment grounding conductor should be run with the circuit conductors and connected to the equipment grounding terminal or lead on the microwave oven.

### SAVE THESE INSTRUCTIONS

If codes permit and a separate ground wire is used, it is recommended that a qualified electrical installer determine that the ground path and wire gauge are in accordance with local codes.

Check with a qualified electrical installer if you are not sure the microwave oven is properly grounded.

This microwave oven must be connected to a grounded metal, permanent wiring system.

Be sure that the electrical connection and wire size are adequate and in conformance with the National Electrical Code, ANSI/NFPA 70-latest edition or CSA Standards C22.1-94, Canadian Electrical Code, Part 1 and C22.2 No. O-M91-latest edition, and all local codes and ordinances.

A copy of the above code standards can be obtained from:

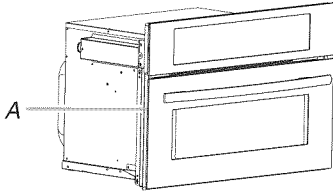
National Fire Protection Association  
One Batterymarch Park  
Quincy, MA 02269

CSA International  
8501 East Pleasant Valley Road  
Cleveland, OH 44131-5575

## Electrical Connection

To properly install your microwave oven, you must determine the type of electrical connection you will be using and follow the instructions provided for it here.

- Microwave oven must be connected to the proper electrical voltage and frequency as specified on the model/serial number rating plate. The model/serial number rating plate is located on the left-hand side trim.



A. Model/serial number plate

- The microwave oven rated 120/240 volt, 20-amp, has 4 wires (L1, L2, N and G) in the flex conduit and should be connected to a 20-amp maximum rated circuit, overcurrent protected on both the L1 and L2 circuits.

- A time-delay fuse or circuit breaker is recommended.
- Flexible cable from the microwave oven should be connected directly to the junction box.
- Do not cut the conduit. The length of conduit provided is for serviceability of the microwave oven.
- A UL listed or CSA approved conduit connector must be provided.
- If the house has aluminum wiring follow the procedure below:
  1. Connect a section of solid copper wire to the pigtail leads.
  2. Connect the aluminum wiring to the added section of copper wire using special connectors and/or tools designed and UL listed for joining copper to aluminum.

Follow the electrical connector manufacturer's recommended procedure. Aluminum/copper connection must conform with local codes and industry accepted wiring practices.

# INSTALLATION INSTRUCTIONS

## Prepare Built-In Microwave Oven

1. Locate existing wiring to avoid drilling into or severing wiring during installation.

### **⚠ WARNING**

#### **Excessive Weight Hazard**

**Use two or more people to move and install microwave oven.**

**Failure to do so can result in back or other injury.**

2. To avoid floor damage, set the microwave oven onto cardboard prior to installation. Do not use handle or any portion of the front frame for lifting.
3. Remove the shipping materials and tape from the microwave oven.
4. Remove and set aside racks and other items from inside the microwave oven.
5. Remove the hardware package from inside the bag containing literature.
6. Move the microwave oven and cardboard close to the microwave oven's final location.

## Make Electrical Connection

### **⚠ WARNING**



#### **Electrical Shock Hazard**

**Disconnect power before servicing.**

**Use 12 gauge solid copper wire.**

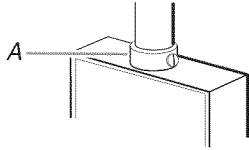
**Electrically ground oven.**

**Failure to follow these instructions can result in death, fire, or electrical shock.**

This microwave oven is manufactured with a neutral (white) power supply wire and a cabinet-connected green (or bare) ground wire.

1. Disconnect power.
2. Feed the flexible cable conduit from the microwave oven through the opening in the cabinet.

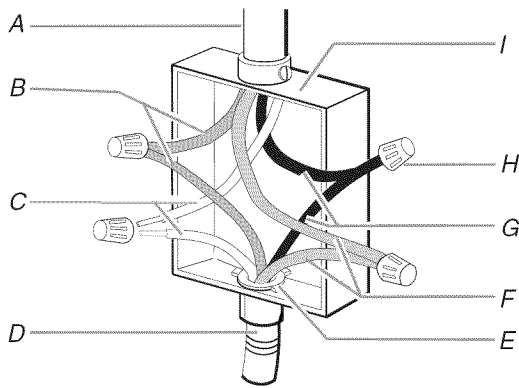
- Remove junction box cover if it is present.
- Install a UL listed or CSA approved conduit connector to the junction box.



A. UL listed or CSA approved conduit connector

- Route the flexible cable conduit from the microwave oven to the junction box through a UL listed or CSA approved conduit connector.
- Tighten screws on conduit connector.
- See “Electrical Connection Options Chart” to complete installation for your type of electrical connection.

### 3-Wire Cable with Ground from Home Power Supply to Microwave Oven Cable with 4 Wires



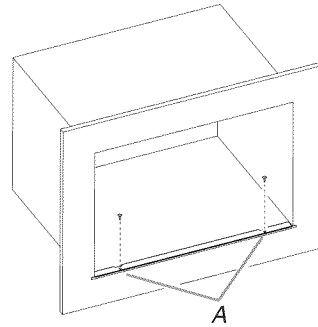
- |  |                             |
|--|-----------------------------|
| A. Cable from home power supply                | F. Red (or black) wires     |
| B. Green (or bare) wires                       | G. Black wires              |
| C. White wires                                 | H. UL listed wire connector |
| D. 4-wire cable from microwave oven            | I. Junction box             |
| E. UL listed or CSA approved conduit connector |                             |

- Connect the 2 black wires (G) together using a UL listed wire connector.
- Connect the 2 white wires (C) using a UL listed wire connector.
- Connect the 2 red (or black) wires (F) together using a UL listed wire connector.
- Connect the 2 green (or bare) wires together using a UL listed wire connector.
- Install junction box cover.

### Install Microwave Oven

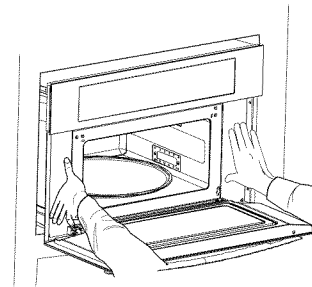
- Center bottom trim over the lower edge of the cabinet cutout. Using an 1/8" (0.32 cm) drill bit, predrill pilot holes through the bottom trim.  
**NOTE:** If a spacer kit has been installed, do not install the bottom trim.

- Fasten the bottom trim using 2 screws provided. Do not overtighten the screws.

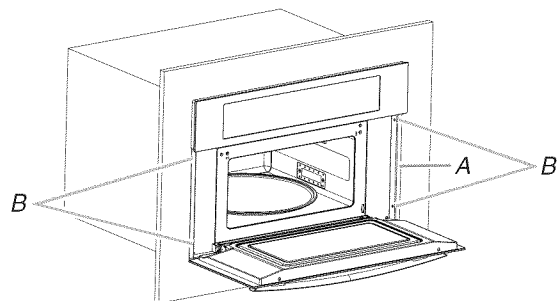


A. Two screws

- Using 2 or more people, lift microwave oven partially into cabinet cutout. If a spacer kit has been installed, lift the microwave oven over it.  
**NOTE:** Open microwave oven door and push against seal area of microwave oven front frame when pushing microwave oven into cabinet. Do not push against outside edges.
- Push against the front frame of the microwave oven to push oven into cabinet. Push microwave oven completely into cabinet and center in cabinet cutout.



- Using an 1/8" (0.32 cm) drill bit, predrill pilot holes through the mounting rails on each side of the microwave oven.
- Securely fasten microwave oven to cabinet using the 4 screws provided. Insert the screws through holes in mounting rails. Do not overtighten screws.



A. Mounting rail  
B. Four screws

- Replace convection grid, turntable and support hub.
- Reconnect power.
- Display panel will light briefly, and the clock should appear in the display.
- If display panel does not light, please reference the “Assistance or Service” section of the Use and Care Guide or contact the dealer from whom you purchased your microwave oven.

---

## Complete Installation

1. Check that all parts are now installed. If there is an extra part, go back through the steps to see which step was skipped.
2. Check that you have all of your tools.
3. Dispose of/recycle all packaging materials.
4. For microwave oven use and cleaning, read the Use and Care Guide.

### Check Operation of Microwave Oven

1. Fill a microwave-safe container with 1 cup (250 mL) of water and place container on the turntable inside the microwave oven. Close door firmly.
2. Touch COOK.
3. Set power level, temperature and cook time to “2:00” minutes.
4. Touch START.

#### If microwave does not operate, check the following:

- Household fuse is intact and tight; or circuit breaker has not tripped.
- Electrical supply is connected;
- See “Troubleshooting” section in the Use and Care Guide.

When the display reads “1:00” minute, open the microwave oven door. The microwave oven should stop cooking. Close door firmly. The interior microwave oven light should turn off.

5. Touch START to resume a preset cycle. The microwave oven should begin cooking, and the microwave oven interior light should be on.

Let microwave oven complete cooking time. Tones will sound at the end of the cooking time, and the microwave oven will shut off.

6. Open microwave oven door and slowly remove container. Water in container should be hot.
7. To set the clock and other microwave oven functions, refer to the Use and Care Guide.

#### If you need Assistance or Service:

Please reference the “Assistance or Service” section of the Use and Care Guide or contact the dealer from whom you purchased your built-in microwave oven.

# SÉCURITÉ DU FOUR À MICRO-ONDES ENCASTRÉ

## Votre sécurité et celle des autres est très importante.

Nous donnons de nombreux messages de sécurité importants dans ce manuel et sur votre appareil ménager. Assurez-vous de toujours lire tous les messages de sécurité et de vous y conformer.



Voici le symbole d'alerte de sécurité.

Ce symbole d'alerte de sécurité vous signale les dangers potentiels de décès et de blessures graves à vous et à d'autres.

Tous les messages de sécurité suivront le symbole d'alerte de sécurité et le mot "DANGER" ou "AVERTISSEMENT". Ces mots signifient :

**⚠ DANGER**

**Risque possible de décès ou de blessure grave si vous ne suivez pas immédiatement les instructions.**

**⚠ AVERTISSEMENT**

**Risque possible de décès ou de blessure grave si vous ne suivez pas les instructions.**

Tous les messages de sécurité vous diront quel est le danger potentiel et vous disent comment réduire le risque de blessure et ce qui peut se produire en cas de non-respect des instructions.

# EXIGENCES D'INSTALLATION

## Outillage et pièces

Rassembler les outils et pièces nécessaires avant de commencer l'installation. Lire et suivre les instructions fournies avec les outils indiqués ici.

### Outils nécessaires

- Tournevis Phillips
- Tournevis à lame plate
- Mètre ruban
- Niveau
- Perceuse (pour l'installation dans un placard mural)
- Foret de 1/8" (0,32 cm) (pour l'installation dans un placard mural)

### Pièces nécessaires

- Un connecteur de conduit homologué UL ou CSA
- Des connecteurs de fils (homologation UL)

### Pièces fournies

- 6 vis

Consulter les codes locaux. Vérifier l'alimentation électrique existante. Voir "Spécifications électriques".

Toutes les connexions électriques doivent être effectuées par un électricien qualifié et certifié.

## Exigences d'emplacement

**IMPORTANT :** Observer les dispositions de tous les codes et règlements en vigueur.

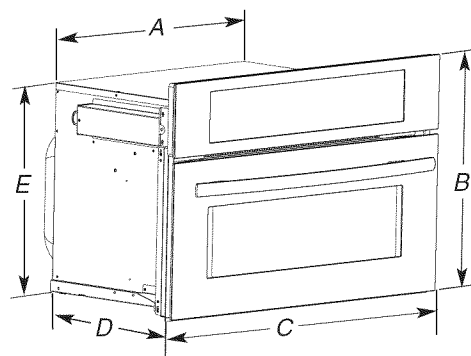
- Respecter les dimensions indiquées pour les ouvertures à découper dans les placards. Ces dimensions prennent en compte les dégagements de séparation nécessaires pour le four à micro-ondes.
- L'espace d'installation doit permettre la formation d'une enceinte complète autour de la partie encastrée du four à micro-ondes.
- Une source d'électricité avec liaison à la terre est nécessaire. Voir la section "Spécifications électriques".
- Le boîtier de raccordement doit être situé à moins de 3" (7,6 cm) au-dessous de la surface de support lorsque le four à micro-ondes est installé dans un placard mural. Percer un trou de diamètre 1/4" (3,4 cm) ou plus dans l'angle arrière gauche de la surface de support pour le passage du câble d'alimentation jusqu'au boîtier de connexion.

- Dans le cas de l'installation du boîtier de connexion sur le mur à l'arrière du four à micro-ondes, le boîtier de connexion doit être encastré et placé dans l'angle inférieur ou supérieur du placard, à gauche ou à droite; sinon le four à micro-ondes ne pourra pas passer dans l'ouverture de placard destinée à le recevoir.
- La surface de support du four à micro-ondes doit être robuste, horizontale et en affleurement avec le bas de l'ouverture découpée dans le placard. Le plancher doit pouvoir supporter un poids de 90 lb (41,0 kg).

**IMPORTANT :** Pour éviter d'endommager les placards, consulter le constructeur de la maison ou le fabricant des placards pour déterminer si les matériaux utilisés peuvent subir un changement de couleur, une déstratification ou d'autres dommages. Ce four a été conçu conformément aux exigences des normes UL et CSA International et respecte les températures maximales permises de 194°F (90°C) pour les placards en bois.

## Dimensions du produit

### Fours à micro-ondes de 27" (68,6 cm) et 30" (76,2 cm)



#### Modèles de 27" (68,6 cm)

- A. Largeur de l'encastrement 25 1/4" (64,1 cm)
- B. Hauteur hors-tout 19 1/8" (48,6 cm)
- C. Largeur hors-tout 26 3/4" (67,9 cm)
- D. Profondeur de l'encastrement 22 7/16" (57,0 cm) max.
- E. Hauteur de l'encastrement 16 3/4" (42,5 cm)

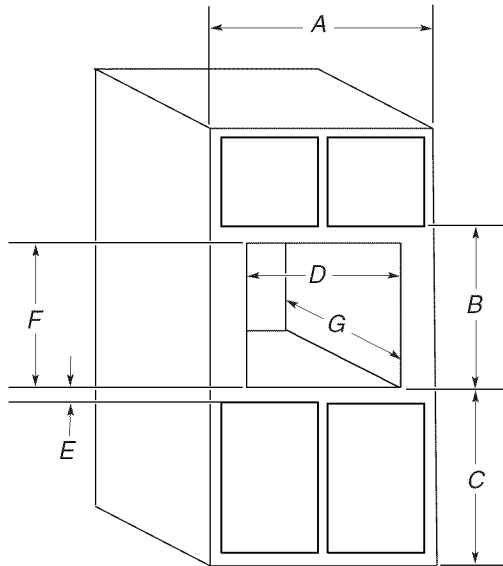
#### Modèles de 30" (76,2 cm)

- A. Largeur de l'encastrement 28 1/4" (71,7 cm)
- B. Hauteur hors-tout 19 1/8" (48,6 cm)
- C. Largeur hors-tout 29 3/4" (75,6 cm)
- D. Profondeur de l'encastrement 22 7/16" (57,0 cm) max.
- E. Hauteur de l'encastrement 16 3/4" (42,5 cm)



## Dimensions du placard

### Fours à micro-ondes de 27" (68,6 cm) et 30" (76,2 cm)



#### Modèles de 27" (68,6 cm)

- A. 27" (68,6 cm) min. de largeur de placard
- B. 19¼" (48,9 cm) entre le bas de la découpe et le bas de la porte du placard supérieur
- C. 40" (101,6 cm) entre le bas de la découpe et le plancher (recommandé)
- D. 25½" (64,8 cm) de largeur de découpe
- E. 1½" (3,8 cm) min. entre le bas de la découpe et le haut de la porte du placard
- F. Hauteur de découpe recommandée de 18¼" (46,4 cm) (convient pour une hauteur de découpe entre 17" [43,2 cm] et 18¼" [46,4 cm])
- G. 21⅞" (55,5 cm) min. de hauteur de découpe

#### Modèles de 30" (76,2 cm)

- A. 30" (76,2 cm) min. de largeur de placard
- B. 19¼" (48,9 cm) entre le bas de la découpe et le bas de la porte du placard supérieur
- C. 40" (101,6 cm) entre le bas de la découpe et le plancher (recommandé)
- D. 28½" (72,4 cm) de largeur de découpe
- E. 1½" (3,8 cm) min. entre le bas de la découpe et le haut de la porte du placard
- F. Hauteur de découpe recommandée de 18¼" (46,4 cm) (convient pour une hauteur de découpe entre 17" [43,2 cm] et 18¼" [46,4 cm])
- G. 21⅞" (55,5 cm) min. de hauteur de découpe

#### REMARQUE :

Un ensemble de calage du four à micro-ondes est disponible auprès de votre revendeur pour installer le four à micro-ondes dans une découpe d'une hauteur comprise entre 18¼" (46,4 cm) et 19⅞" (49,4 cm) maximum. Les ensembles sont disponibles dans les couleurs et les dimensions suivantes :

Ensemble de calage du four à micro-ondes

27" (68,6 cm) Noir - Modèle JMCSK27WB

27" (68,6 cm) Inox - Modèle JMCSK27WS

30" (76,2 cm) Noir - Modèle JMCSK30WB

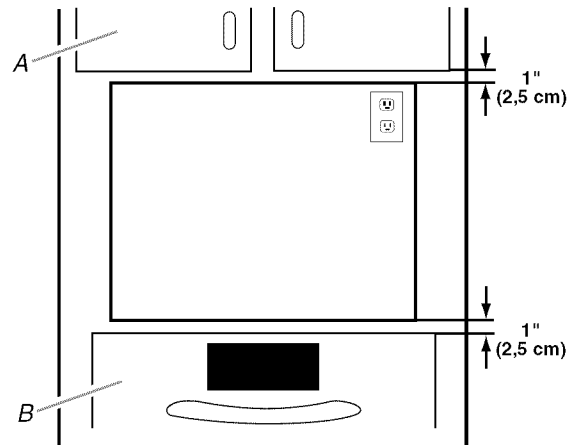
30" (76,2 cm) Inox - Modèle JMCSK30WS

Pour commander, voir la section "Assistance ou service" du Guide d'utilisation et d'entretien.

## Distances de dégagement minimales pour l'installation

Pour une installation correcte, les distances de dégagement minimales suivantes doivent être respectées au-dessus et au-dessous de l'ouverture à découper.

### Installation au-dessus - Four encastré simple



A. Placard supérieur

B. Four inférieur simple\*

\*Modèles approuvés : JJW3430, JJW2430, JJW2427, JJW2330, JJW2327

## Spécifications électriques

### INSTRUCTIONS DE LIAISON À LA TERRE

#### Pour un four à micro-ondes raccordé en permanence :

Le four à micro-ondes doit être raccordé à un système de câblage permanent en métal relié à la terre, ou le câblage d'alimentation doit inclure un conducteur de liaison à la terre connecté à la borne ou à un fil de liaison à la terre sur le four à micro-ondes.

### CONSERVER CES INSTRUCTIONS

Si on utilise un conducteur distinct de liaison à la terre lorsque les codes le permettent, il est recommandé qu'un électricien qualifié vérifie que la liaison à la terre et le calibre pour fils sont conformes aux codes locaux.

En cas de doute quant à la qualité de la liaison à la terre du four à micro-ondes, consulter un électricien qualifié.

Ce four à micro-ondes doit être raccordé à un système permanent, métallique de câblage relié à la terre.

S'assurer que la connexion électrique et le calibre des fils sont appropriés et conformes au National Electrical Code, aux normes ANSI/NFPA 70 - dernière édition, ou aux normes CSA C22.1-94, au Code canadien de l'électricité, Partie 1 et C22.2 N° O-M91 - dernière édition, et à tous les codes et règlements locaux.

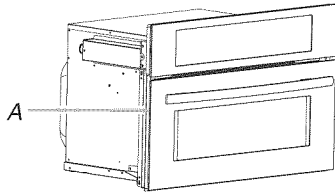
Pour obtenir un exemplaire de la norme des codes ci-dessus, contacter :

National Fire Protection Association  
One Batterymarch Park  
Quincy, MA 02269  
CSA International  
8501 East Pleasant Valley Road  
Cleveland, OH 44131-5575

## Raccordement électrique

Pour installer le four à micro-ondes correctement, il faut établir le type de raccords électriques que l'on utilisera et suivre les instructions indiquées ici.

- Le four à micro-ondes doit être alimenté par une source d'électricité appropriée (caractéristiques de tension et fréquence spécifiées sur la plaque signalétique). La plaque signalétique est située du côté gauche de la garniture.



A. Plaque signalétique des numéros de modèle et de série

- Le four à micro-ondes est alimenté par une tension nominale de 120/240 volts sous 20 A, contient 4 conducteurs (L1, L2, N et terre) dans le conduit flexible et doit être connecté à un circuit de 20 A d'intensité nominale maximale, protégé contre les surintensités sur les circuits L1 et L2.

- On recommande d'utiliser un fusible ou un disjoncteur temporisé.
- Le câble flexible du four à micro-ondes doit être connecté directement dans le boîtier de connexion.
- Ne pas couper le conduit. La longueur du conduit fournie est destinée à faciliter l'entretien du four à micro-ondes.
- L'installateur doit fournir un connecteur de conduit (homologation UL ou CSA).
- Si le domicile est équipé d'un câblage en aluminium, suivre les instructions suivantes :
  1. Connecter une section de câble en cuivre massif aux conducteurs en queue de cochon.
  2. Connecter le câblage en aluminium à la section ajoutée de câblage en cuivre en utilisant des connecteurs et/ou des outils spécialement conçus et homologués UL pour fixer le cuivre à l'aluminium.

Appliquer la procédure recommandée par le fabricant des connecteurs. La connexion aluminium/cuivre doit être conforme aux codes locaux et aux pratiques de câblage acceptées par l'industrie.

# INSTRUCTIONS D'INSTALLATION

## Préparation du four à micro-ondes encastré

1. Repérer le câblage existant pour éviter de le percer ou de l'endommager lors de l'installation.

### **⚠ AVERTISSEMENT**

#### Risque du poids excessif

Utiliser deux ou plus de personnes pour déplacer et installer le four à micro-ondes.

Le non-respect de cette instruction peut causer une blessure au dos ou d'autre blessure.

2. Pour éviter d'endommager le plancher, placer le four à micro-ondes sur une feuille de carton avant l'installation. Lors des opérations de levage, ne pas prendre prise sur la poignée ou sur une autre partie du châssis avant.
3. Retirer les matériaux d'emballage et les rubans adhésifs du four à micro-ondes.
4. Retirer et conserver à part les grilles et autres articles se trouvant à l'intérieur du four à micro-ondes.
5. Retirer le matériel à l'intérieur du sachet de documentation.
6. Approcher le four à micro-ondes et la feuille de carton de l'emplacement final du four à micro-ondes.

## Raccordement électrique

### **⚠ AVERTISSEMENT**



#### Risque de choc électrique

Déconnecter la source de courant électrique avant d'entreprendre le travail.

Utiliser du fil en cuivre rigide de calibre 12.

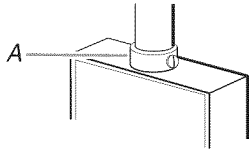
Relier le four à la terre.

Le non-respect de ces instructions peut causer un décès, un incendie ou un choc électrique.

Le câblage de ce four à micro-ondes comporte un conducteur d'alimentation électrique neutre (blanc) et un conducteur de liaison à la terre vert (ou nu) connecté à la caisse.

1. Déconnecter la source de courant électrique.
2. Faire passer le conduit de câble flexible depuis le four à micro-ondes jusqu'à l'espace d'installation dans le placard.
3. Le cas échéant, enlever le couvercle du boîtier de connexion.

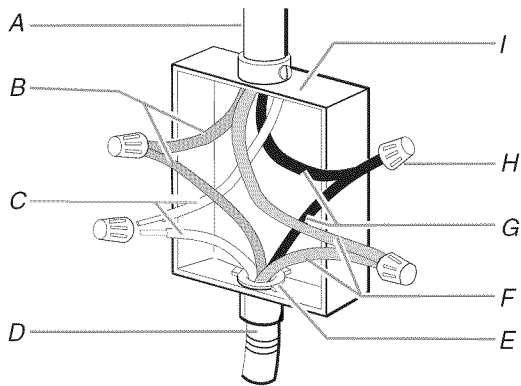
4. Installer un connecteur de conduit (homologation UL ou CSA) sur le boîtier de connexion.



A. Connecteur de conduit (homologation UL ou CSA)

5. Acheminer le conduit de câble flexible depuis le four à micro-ondes jusqu'au boîtier de connexion – utiliser un connecteur de conduit (homologation UL ou CSA).
6. Serrer les vis sur le connecteur de conduit.
7. Voir "Tableau des options de raccordement électrique" pour terminer l'installation correspondant à votre type de raccordement électrique.

### Raccordement du câble à 3 conducteurs avec terre de l'alimentation du domicile au câble du four à micro-ondes à 4 conducteurs



- A. Câble de l'alimentation électrique du domicile  
 B. Conducteurs verts (ou nus)  
 C. Conducteurs blancs  
 D. Câble à 4 conducteurs du four à micro-ondes  
 E. Connecteur de conduit (homologation UL ou CSA)

- F. Conducteurs rouges (ou noirs)  
 G. Conducteurs noirs  
 H. Connecteur de fils (homologation UL)  
 I. Boîte de connexion

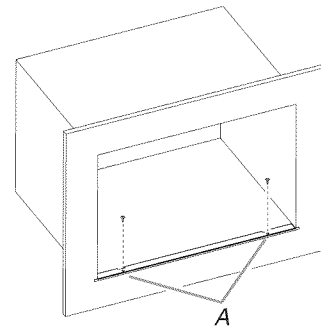
1. Connecter ensemble les 2 connecteurs noirs (G) avec un connecteur de fils (homologation UL).
2. Connecter les 2 conducteurs blancs (C) avec un connecteur de fils (homologation UL).
3. Connecter ensemble les 2 conducteurs rouges (ou noirs) (F) avec un connecteur de fils (homologation UL).
4. Connecter ensemble les 2 conducteurs verts (ou nus) avec un connecteur de fils (homologation UL).
5. Installer le couvercle du boîtier de connexion.

### Installation du four à micro-ondes

1. Centrer le bas de la garniture sur le bord inférieur de la découpe du placard. À l'aide d'un foret de 1/8" (0,32 cm), percer des avant-trous dans la garniture inférieure.

**REMARQUE :** Si un ensemble de calage a été installé, ne pas fixer la garniture intérieure.

2. Fixer la garniture inférieure à l'aide des 2 vis fournies. Ne pas serrer excessivement les vis.

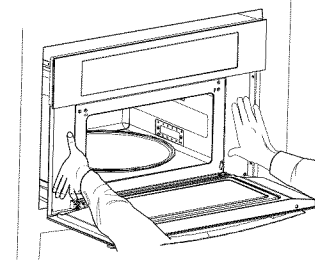


A. Deux vis

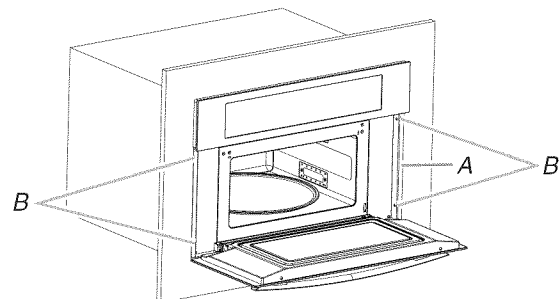
3. À l'aide de 2 personnes ou plus, soulever partiellement le four à micro-ondes dans l'ouverture du placard. Si un ensemble de calage a été installé, lever le four à micro-ondes par-dessus.

**REMARQUE :** Pousser le four à micro-ondes pour l'introduire dans le placard en poussant contre la zone du joint du four sur le châssis avant. Ne pas pousser contre les bords externes.

4. Ouvrir la porte du four à micro-ondes et pousser contre l'avant du four à micro-ondes pour introduire le four dans le placard. Pousser complètement le four à micro-ondes dans le placard et le centrer dans la cavité du placard.



5. À l'aide d'un foret de 1/8" (0,32 cm), percer des avant-trous dans les rails de montage de chaque côté du four à micro-ondes.
6. Fixer solidement le four à micro-ondes au placard à l'aide des 4 vis fournies. Insérer les vis à travers les trous des rails de montage. Ne pas serrer excessivement les vis.



A. Rail de montage  
 B. Quatre vis

7. Réinstaller les grilles du four, le plateau rotatif et l'axe de support.
8. Reconnecter la source de courant électrique.
9. Le tableau d'affichage s'allume brièvement et l'horloge devrait s'afficher.
10. Si le tableau d'affichage ne s'allume pas, consulter la section "Assistance ou service" du Guide d'utilisation et d'entretien ou contacter le marchand qui vous a vendu le four à micro-ondes.

---

## Achever l'installation

1. Vérifier que toutes les pièces sont maintenant installées. S'il reste une pièce, passer en revue les différentes étapes pour découvrir laquelle aurait été oubliée.
2. Vérifier la présence de tous les outils.
3. Jeter/recycler tous les matériaux d'emballage.
4. Pour l'utilisation et le nettoyage du four à micro-ondes, lire le Guide d'utilisation et d'entretien.
5. Appuyer sur START (mise en marche) pour poursuivre le programme préréglé. Le four à micro-ondes doit commencer la cuisson et la lampe intérieure du four à micro-ondes doit être allumée.  
Laisser le four à micro-ondes terminer la durée de cuisson. Un signal sonore retentit à la fin de la durée de cuisson et le four à micro-ondes s'éteint.

### Vérification du fonctionnement du four à micro-ondes

1. Remplir un récipient adapté aux micro-ondes avec 1 tasse (250 mL) d'eau et le placer sur le plateau rotatif du four à micro-ondes. Bien fermer la porte.
2. Appuyer sur COOK (cuisson).
3. Régler le niveau de puissance, la température et le temps de cuisson à "2:00" minutes.
4. Appuyer sur START (mise en marche).

#### **Si le four à micro-ondes ne fonctionne pas, contrôler ce qui suit :**

- Fusible grillé ou desserré? Disjoncteur ouvert?
- Prise de courant correctement alimentée?
- Voir la section "Dépannage" dans le Guide d'utilisation et d'entretien.

Lorsque l'afficheur indique "1:00" minute, ouvrir la porte du four à micro-ondes. La cuisson du four à micro-ondes doit s'arrêter. Bien fermer la porte. La lampe intérieure du four à micro-ondes doit s'éteindre.

6. Ouvrir la porte du four à micro-ondes et retirer lentement le contenant. L'eau dans le contenant doit être chaude.
7. Pour le réglage de l'horloge et d'autres fonctions du four à micro-ondes, consulter le Guide d'utilisation et d'entretien.

#### **Si vous avez besoin d'assistance ou de service :**

Consulter la section "Assistance ou service" du Guide d'utilisation et d'entretien ou contacter le marchand chez qui le four à micro-ondes a été acheté.

**W10221385B**

© 2009 Whirlpool Corporation.  
All rights reserved.  
Tous droits réservés.

8/09  
Printed in U.S.A.  
Imprimé aux É.-U.