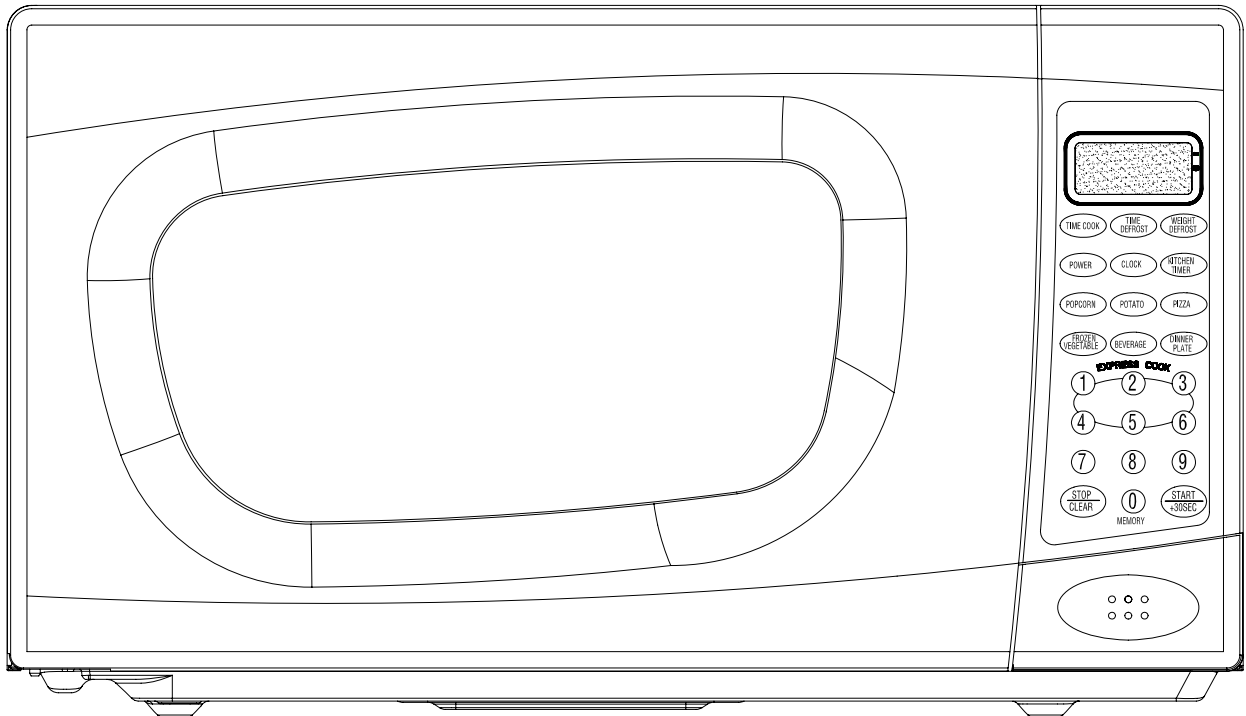


# JENS

## 20 Litre Electronic Microwave Owner's Instruction Manual

### MEW50N-A

Read the Instructions carefully and Keep for Future Reference



# IMPORTANT SAFETY INSTRUCTIONS

When using electrical appliances basic safety precautions should be followed, including the following:

**WARNING** – To reduce the risk of burns, electric shock, fire, injury to persons, or exposure to excessive microwave energy:

1. Read all instructions before using the appliance.
2. Read and follow the specific **“PRECAUTIONS TO AVOID POSSIBLE EXPOSURE TO EXCESSIVE MICROWAVE ENERGY”** found on page 3.
3. This appliance must be grounded. Connect only to properly grounded outlet. See **“GROUNDING INSTRUCTIONS”** found on page 3.
4. Install or locate this appliance only in accordance with the provided installation instructions.
5. Some products such as whole eggs and sealed containers – for example, closed glass jars – are able to explode and should not be heated in this oven.
6. Use this appliance only for its intended use as described in the manual. Do not use corrosive chemicals or vapors in this appliance. This type of oven is specifically designed to heat, cook, or dry food. It is not designed for industrial or laboratory use.
7. Close supervision is necessary when used by children.
8. Do not operate this appliance if it has a damaged cord or plug, if it is not working properly, or if it has been damaged or dropped.
9. This appliance should be serviced only by qualified service personnel. Contact nearest authorized service facility for examination, repair, or adjustment.
10. Do not cover or block any openings on the appliance.
11. Do not store this appliance outdoors. Do not use this product near water – for example, near a kitchen sink, in a wet basement, near a swimming pool, or similar locations.
12. Do not immerse cord or plug in water.
13. Keep cord away from heated surfaces.
14. Do not let cord hang over edge of table or counter.
15. When cleaning surfaces of door and oven, please see **“CARE OF YOUR MICROWAVE OVEN”** found on page 14.
16. To reduce the risk of fire in the oven cavity:
  - a. Do not overcook food. Carefully attend appliance when paper, plastic, or other combustible materials are placed inside the oven to facilitate cooking.
  - b. Remove wire twist-ties from paper or plastic bags before placing bag in oven.
  - c. If materials inside the oven ignite, keep oven door closed, turn oven off, and disconnect the power cord, or shut off power at the fuse or circuit breaker panel.
  - d. Do not use the cavity for storage purposes. Do not leave paper products, cooking utensils, or food in the cavity when not in use.
17. Liquids, such as water, coffee, or tea are able to be overheated beyond the boiling point without appearing to be boiling. Visible bubbling or boiling when the container is removed from the microwave oven is not always present. **THIS COULD RESULT IN VERY HOT LIQUIDS SUDDENLY BOILING OVER WHEN THE CONTAINER IS DISTURBED OR A UTENSIL IS INSERTED INTO THE LIQUID.**
18. **HOUSEHOLD USE ONLY.**

# **SAVE THESE INSTRUCTIONS**

## **PRECAUTIONS TO AVOID POSSIBLE EXPOSURE TO EXCESSIVE MICROWAVE ENERGY**

1. Do not attempt to operate this oven with the door open since open-door operation can result in harmful exposure to microwave energy. It is important not to defeat or tamper with the safety interlocks.
2. Do not place any object between the oven front face and the door or allow soil or cleaner residue to accumulate on sealing surfaces.
3. Do not operate the oven if it is damaged. It is particularly important that the oven door close properly and that there is no damage to the: (1) door (bent), (2) hinges and latches (broken or loosened), (3) door seals and sealing surfaces.
4. The oven should not be adjusted or repaired by anyone except properly qualified service personnel.
5. Servicing of the appliance not explicitly described in the manual shall be performed by qualified service personnel only.

## **Service Instructions**

### **PRECAUTIONS TO BE OBSERVED BEFORE AND DURING SERVICING TO AVOID POSSIBLE EXPOSURE TO EXCESSIVE MICROWAVE ENERGY**

1. Do not operate or allow the oven to be operated with the door open.
2. Make the following safety checks on all ovens to be serviced before activating the magnetron or other microwave source, and make repairs as necessary: (1) interlock operation, (2) proper door closing, (3) seal and sealing surfaces (arcing, wear, and other damage), (4) damage to or loosening of hinges and latches, (5) evidence of dropping or abuse.
3. Before turning on microwave power for any service test or inspection within the microwave generating compartments, check the magnetron, wave guide or transmission line, and cavity for proper alignment, integrity, and connection.
4. Any defective or misadjusted components in the interlock, monitor, door seal, and microwave generation and transmission systems shall be repaired, replaced, or adjusted by procedures described in this manual before the oven is released to the owner.
5. A microwave leakage check to verify compliance with the Federal Performance Standard should be performed on each oven prior to release to the owner.

## **Grounding Instructions**

This appliance must be grounded. In the event of an electrical short circuit, grounding reduces the risk of electric shock by providing an escape wire for the electric current. This appliance is equipped with a cord having a grounding wire with a grounding plug. The plug must be plugged into an outlet that is properly installed and grounded.

**WARNING** – Improper use of the grounding can result in a risk of electric shock.

Consult a qualified electrician or serviceman if the grounding instructions are not completely understood, or if doubt exists as to whether the appliance is properly grounded, and If it is necessary to use an extension cord, use only a 3-wire extension cord that has a 3-blade grounding plug, and a 3-slot receptacle that will accept the plug on the appliance. The marked rating of the extension cord shall be equal to or greater than the electrical rating of the appliance.

# Extension Cord Instructions

- a) A short power-supply cord is provided to reduce the risks resulting from becoming entangled in or tripping over a longer cord.
- b) Extension cords are available and may be used if care is exercised in their use.
- c) If a extension cord is used:
  - 1) The marked electrical rating of the cord set or extension cord should be at least as great as the electrical rating of the appliance;
  - 2) The extension cord must be a grounding-type 3-wire cord; and
  - 3) The longer cord should be arranged so that it will not drape over the counter top or tabletop where it can be pulled on by children or tripped over unintentionally.

# IMPORTANT SAFETY INSTRUCTIONS

## READ CAREFULLY AND KEEP FOR FUTURE REFERENCE

**-WARNING:** If the door or door seals are damaged, the oven must not be operated until it has been repaired by a competent person;

**-WARNING:** It is hazardous for anyone other than a competent person to carry out any service or repair operation that involves the removal of a cover which gives protection against exposure to microwave energy;

**-WARNING:** liquids and other foods must not be heated in sealed containers since they are liable to explode.

**-WARNING:** Only allow children to use the oven without supervision when adequate instructions have been given so that the child is able to use the oven in a safe way and understands the hazards of improper use;

- The oven must have sufficient air flow.Keep 10 cm space at back;15 cm at both sides and 30cms from top of the oven.Don't remove oven's feet, do not block air events of the oven.

- Only use utensils that are suitable for use in microwave ovens.

- When heating food in plastic or paper containers, keep an eye on the oven due to the possibility of ignition;

- If smoke is observed, switch off or unplug the appliance and keep the door closed in order to stifle any flames;

- Microwave heating of beverages can result in delayed eruptive boiling, therefore care must be taken when handling the container;

- The contents of feeding bottles and baby food jars shall be stirred or shaken and the temperature checked before consumption, in order to avoid burns;

- Eggs in their shell and whole hard-boiled eggs should not be heated in microwave ovens since they may explode, even after microwave heating has ended;

- When cleaning surfaces of door, door seal, cavity of the oven, use only mild, nonabrasive soaps, or detergents applied with a sponge or soft cloth.

- The oven should be cleaned regularly and any food deposits removed;

- Failure to maintain the oven in a clean condition could lead to deterioration of the surface that could adversely affect the life of the appliance and possibly result in a hazardous situation;

- If the supply cord is damaged, it must be replaced by the manufacturer, its service agent or similarly qualified persons in order to avoid a hazard.

- The temperature of accessible surfaces may be high when the appliance is operating.

# SPECIFICATIONS

Power consumption:	120V~60Hz,1080W
Output::	700W
Operating Frequency:	2,450MHz
Outside Dimensions:	454mm(W)X330mm(D)X262mm(H)
Oven Cavity Dimensions:	315mm(W)X296mm(D)X211mm(H)
Oven Capacity:	20litres
Uncrated Weight:	Approx.10.5kg

## BEFORE YOU CALL FOR SERVICE

1. If the oven will not perform at all, the display does not appear or the display disappears:
  - a) Check to ensure that the oven is plugged in securely. If it is not, remove the plug from the outlet, wait 10 seconds and plug it in again securely.
  - b) Check the premises for a blown circuit fuse or a tripped main circuit breaker. If these seem to be operating properly, test the outlet with another appliance.
2. If the microwave power does not function:
  - a) Check to see whether the timer is set.
  - b) Check to make sure that the door is securely closed to engage the safety interlocks. Otherwise, the microwave energy will not flow into the oven.

**IF NONE OF THE ABOVE RECTIFIES THE SITUATION, THEN CONTACT THE AUTHORIZED SERVICE AGENT.**

### **Note:**

**The appliance is for household use for heating food and beverages using electromagnetic energy and for indoor use only.**

## RADIO FREQUENCY INTERFERENCE BTATEMENT

Microwave oven may cause interference to your radio, TV, or similar equipment. When interference occurs, it may be eliminated or reduced by the following procedures.

- a. Clean the door and sealing surface of the oven.
- b. Place the radio, TV, etc. as far away from your microwave oven as possible.
- c. Use a properly installed antenna for your radio, TV, etc. to get a strong signal reception.

## INSTALLATION

1. Make sure all the packing materials are removed from the inside of the door.
2. Inspect the oven after unpacking for any visual damage such as:

Misaligned Door

Damaged Door

Dents or Holes in Door Window and Screen

Dents in Cavity

If any of the above are visible, DO NOT use the oven.

3. This Microwave Oven weights 10.5Kg and must be placed on a horizontal surface strong enough to support this weight.
4. The oven must be places away from high temperature and steam.
5. DO NOT place anything on top of the oven.



**Caution: Hot surface!**

6. DO NOT remove the turn-table drive shaft.
7. As with any appliance, close supervision is necessary when used by children.

**CAUTION: This oven is protected internally by ac 250V, 20Amp Fuse.**

### IMPORTANT

- The wires in this mains lead are coloured in accordance with the following code:

Green-and-yellow : Earth

Blue : Neutral

Brown : Live

- As the colours of the wires in the mains leads of the appliance may not correspond with the coloured markings identifying the terminals in your plug, proceed as follows:
  - The wire which is coloured green-and-yellow must be connected to the terminal in the plug which is marked with the letter E or by the earth symbol coloured green of green-and-yellow.
  - The wire which is coloured blue must be connected to the terminal which is marked with the letter N or coloured black.
  - The wire which is coloured brown must be connected to the terminal which is marked with the letter L or coloured red.

### SAFETY INSTRUCTIONS FOR GENERAL USE

Listed below are, as with all appliances, certain rules to follow and safeguards to assure top performance from this oven:

1. Always have the glass tray, roller arms, coupling and roller track in place when operating the oven.
2. Do not use the oven for any reason other than food preparation, such as for drying clothes, paper, or any other nonfood items, or for sterilizing purposes.
3. Do not operate the oven when empty. This could damage the oven.
4. Do not use the oven cavity for any type of storage, such a papers, cookbooks, etc.
5. Do not cook any food surrounded by a membrane, such as egg yolks, potatoes, chicken livers, etc without first being pierced several times with a fork.
6. Do not insert any object into the openings on the outer case.

7. Do not at any time remove parts from the oven such as the feet, coupling, screws, etc.  
8. Do not cook food directly on the glass tray. Place food in/on proper cooking utensil before placing in the oven.

9. Important-cookware not to use in your microwave oven:

- Do not use metal pans or dishes with metal handles.
- Do not use anything with metal trim.
- Do not use paper covered wire twist-ties on plastic bags.
- Do not use melamine dishes as they contain a material which will absorb microwave energy. This may cause the dishes to crack or char and will slow down the cooking speed.
- Do not use Centura Tableware. The glaze is not suitable for microwave use. Corelle Livingware closed handle cups should not be used.
- Do not cook in a container with a restricted opening, such as a pop bottle or salad oil bottle, as they may explode if heated in a microwave oven.
- Do not use conventional meat or candy thermometers.

There are the thermometers available specifically for microwave cooking. These may be used.

10. Microwave utensils should be used only in accordance with manufacturer's instructions.

11. Do not attempt to deep-fry foods in this oven.

12. Please remember that a microwave oven only heats the liquid in a container rather than the container itself. Therefore, even though the lid of a container is not hot to the touch when removed from the oven, please remember that the food/liquid inside will be releasing the same amount of steam and/or spitting when the lid is removed as in conventional cooking.

13. Always test the temperature of cooked food yourself especially if you are heating or cooking food/liquid for babies. It is advisable never to consume food/liquid straight from the oven but allow it to stand for a few minutes and stir food/liquid to distribute heat evenly.

14. Food containing a mixture of fat and water, e.g. stock, should stand for 30-60 seconds in the oven after it has been turned off. This is to allow the mixture to settle and to prevent bubbling when a spoon is placed in the food/liquid or a stock cube is added.

15. When preparing/cooking food/liquid and remember that there are certain foods, e.g. Christmas puddings, jam and mincemeat, which heat up very quickly. When heating or cooking foods with a high fat or sugar content do not use plastic containers.

16. Cooking utensil may become hot because of heat transferred from the heated food. This is especially true if plastic wrap has been covering the top and handles of the utensil. Potholders may be needed to handle the utensil.

17. To reduce the risk of fire in the oven cavity:

(a) Do not overcook food. Carefully attend microwave oven if paper, plastic, or other combustible materials are placed inside the oven to facilitate cooking.

(b) Remove wire twist-ties from bags before placing bag in oven.

(c) If materials inside the oven should ignite, keep oven door closed, turn the oven off at the wall switch, or shut off power at the fuse or circuit breaker panel.

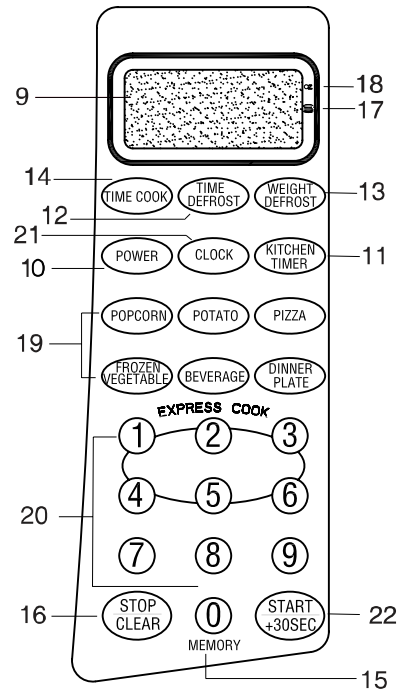
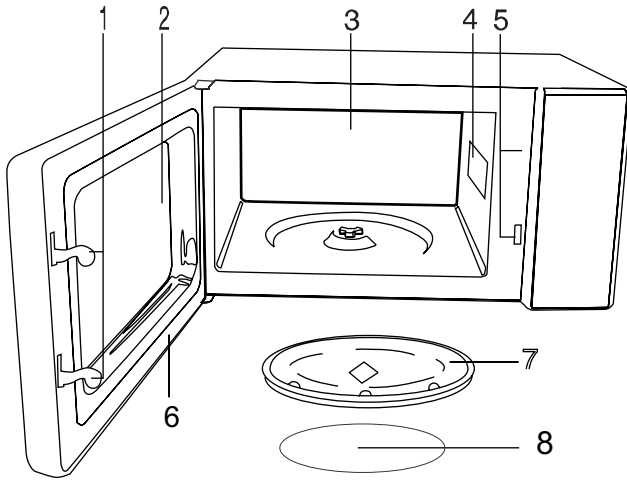
18. This appliance is not intended for use by persons (including children) with reduced physical, sensory or mental capabilities, or lack of experience and knowledge, unless they have been given supervision or instruction concerning use of the appliance by a person responsible for their safety.

19. Children should be supervised to ensure that they do not play with the appliance.

20. Save these instructions.



# LOCATION OF CONTROLS



1. Door latch-When the door is closed, it will automatically lock shut. If the door is opened while the oven is operating, the magnetron will automatically shut off,
2. Door screen-Allows viewing of food, The screen is designed so that light can pass through, but not the microwaves.
3. Oven cavity
4. Spatter shield-Protects the microwave outlet from splashes of cooking foods.
5. Safety interlock system-Prevents the oven from operating while the door is open.
6. Door seal-The door seal maintains the microwaves within the oven cavity and prevents microwave leakage.
7. Glass cooking tray-Made of special heat resistant glass. The tray must always be in proper position before operating the oven. Do not cook food directly on the tray.
8. Roller guide-Supports the glass cooking tray, Must always be in proper position before operating the oven.
9. Display.
10. Power Level-Used to set a power level
11. Kitchen timer
12. Time defrost button-Used to set the oven to estimate the defrosting time by a present time.
13. Weight defrost button-Used to set the oven to estimate the defrosting time by weight entered.
14. Time cook
15. Memory Function
16. Stop/Clear button-Use to stop and/or cancel a cooking program.
17. Cup Indicator
18. Oz Indicator
19. Auto Cook Menu-Used to select an Auto Cook program.
20. Number 0-9, 1-6 Minutes Express Cook Function
21. Clock Button-Used to set the clock.
22. Start/+30Sec button-Press to start a cooking program.

**Alert: Please clean microwave oven often, Failure to do so may create a fire hazard and void the warranty.**

## OPERATION INSTRUCTION

### POWER:

Eleven power levels available, to change the power level, press "POWER" once, then press number key for the power level you want.

Level	10	9	8	7	6	5	4	3	2	1	0
Power	100%	90%	80%	70%	60%	50%	40%	30%	20%	10%	0%

### SETTING THE CLOCK:

When the microwave oven is plugged into an outlet, the oven will display "0:00"

1. Press the "CLOCK" button, the hour digit will blink and the clock indicator will light.
2. Press the number keys to set current hour.
3. Press the number keys to set current minute.
4. Press the "CLOCK" button, the display will show the present time. After the clock has been set, the time will appear with blinking colon, unless the oven is cooking or defrosting.

#### NOTES:

- To reset the present time in the display window when the oven is off, press the "CLOCK" button and reset;
- If you make a mistake when setting the time, press the "STOP/CLEAR" button;
- To recall the actual time while the oven is cooking or defrosting, simply press the "CLOCK" button and the display will show the actual time for three seconds.

### WEIGHT DEFROST:

"WEIGHT DEFROST" let you easily defrost foods by eliminating guesswork in determining defrosting time.

The minimum weight for Auto Weight Defrost is 4 Oz and maximum weight is 100 Oz.

Follow the steps below for easy defrosting.

1. Press "WEIGHT DEFROST" button, LED will display "dEF1".
2. Press the number keys to set desired weight;
3. Press the "START/+30SEC" button to start defrosting; the display will countdown the remaining defrosting time in minutes and seconds. It will beep five times when defrosting is completed.

### TIME DEFROST:

"TIME DEFROST" will automatically set the oven to defrost at a time set by the user. The minimum time for Time Defrost is 1 second. The maximum time is 99 minutes 99 seconds. Follow the steps below for easy defrosting.

1. Press "TIME DEFROST" button, "DEF2" will appear in the display.
2. Press number keys to set the desired time.

Note: The default microwave power is power level 3. If you want to change the defrost level, press "POWER" once, then press the number key to enter the level you want.

3. Press the "START/+30SEC" button to start defrosting; the display will show count down the remaining defrosting time in minutes and seconds. It will beep five times when defrosting is completed.

## **COOKING IN ONE STAGE:**

Set a cooking or other operational "time/power" as follows. The maximum cooking time is 99 minutes 99 seconds.

1. Press the "TIME COOK" button "00:00" will light in the display.
2. Press number keys to set the desired cooking time.(up to 99 minutes 99 seconds)
3. Press the "POWER" button;"PL 10" will light in the display.
4. Press the number key for the power level you want.
5. Press the "START/+30SEC" button to start cooking; the display will countdown the remaining cooking time in minutes and seconds. It will beep five time when cooking is completed.

## **COOKING IN TWO STAGES:**

Set up to two cooking stages as follow:

1. Press the "TIME COOK" button "00:00" will light in the display.
2. Press number keys to set the desired cooking time.(up to 99 minutes 99 seconds).
3. Press the "POWER" button;and "PL 10" will light in the display.
4. Press the number key for the power level you want.
5. Press the "TIME COOK" button "00:00" will light in the display.
6. Press number keys to set the desired cooking time.(up to 99 minutes 99 seconds).
7. Press the "POWER" button "PL 10" will light in the display.
8. Press the number key for the power level you want.
9. Press the "START/+30SEC" button to start cooking; the display will countdown the remaining cooking time in minutes and seconds and beep once between stages. It will beep five times when all the stages have completed cooking.

## **DEFROSTING/COOKING IN TWO STAGES:**

Set up weight or time defrosting and cooking in two stages as follows.

The minimum weight for Auto Weight Defrost is 4 Oz . The maximum weight is 100 Oz .

1. Press the "WEIGHT DEFROST" button; "dEF1" will in the display.
2. Press number keys to set the desired cooking weight.
3. Follow the steps on the previous page( COOKING IN ONE PAGE) to set a second stage, then press the "START/+30SEC" button to start cooking; the display will countdown the remaining time in minutes and seconds and beep once between stages. It will beep five times when all the stages have completed cooking.

## **QUICK COOK:**

The microwave can start cooking at the press of a button as follows:

1. Press the number keys 1-6 (express cook); the microwave will immediately start cooking at high(100%) power for one to six minutes.
2. Repeatedly press the "START/+30SEC" button to increase the cooking time in 30 second increments. (up to 99 minutes 99 seconds).

**STOP/CLEAR BUTTON:**

- To stop cooking or cancel a cooking program, simply press the “STOP/CLEAR” button once to stop cooking or twice to cancel a cooking program.
- Always press the “STOP/CLEAR” button before opening the door.

**AUTO COOK:**

Auto cook lets you easily cook items in the oven as it will automatically set the times and power levels to give better results than one power only cooking.

1. Press the desired “ATUTO COOK” button;weight/portion will light in the display (see chart on next page).
2. Repeatedly press the desired “AUTO COOK” to set the desired weight/portion, Each AUTO COOK item will have the most popular weight/portion settings to chose from.
3. Press the “START/+30SEC” button to start cooking; the display will countdown the remaining cooking time in minutes and seconds. It will beep five times when cooking is completed.

**AUTO COOK MENU CHART:**

Menu	Press Times	Weight/Portion	Display	Cooking Time
<b>POPCORN</b>	Once	1.75 Oz	8:8:88	1'50"
	Twice	3.0 Oz	8:8:88	2'35"
	Thrice	3.5 Oz	8:8:88	2'50"
<b>POTATO (8 oz/piece)</b>	Once	1 PCS	8:8:88	6'00"
	Twice	2 PCS	8:8:88	8'30"
	Thrice	3 PCS	8:8:88	11'00"
<b>PIZZA</b>	Once	4.0 Oz	8:8:88	40"
	Twice	8.0 Oz	8:8:88	1'20"
	Thrice	14.0 Oz	8:8:88	2'40"
<b>BEVERAGE (120 ml/cup)</b>	Once	1 Cup	8:8:88	1'20"
	Twice	2 Cups	8:8:88	2'20"
	Thrice	3 Cups	8:8:88	3'40"
<b>DINNER PLATE</b>	Once	9.0 Oz	8:8:88	3'00"
	Twice	12.0 Oz	8:8:88	4'30"
	Thrice	18.0 Oz	8:8:88	7'00"
<b>FROZEN VEGETABLE</b>	Once	4.0 Oz	8:8:88	4'00"
	Twice	8.0 Oz	8:8:88	6'30"
	Thrice	16.0 Oz	8:8:88	11'30"

## **CHILD LOCK:**

The CHILD LOCK prevents unwanted oven operation by small children. The oven can be set so that the control panel is deactivated or locked.

1. To activate, press and hold the "STOP/CLEAR" button for three seconds, the display will appear as shown at the right and no buttons can be pressed.
2. To deactivate, press and hold the "STOP/CLEAR" button for three seconds, the display will return to the time.

## **MEMORY:**

Memory lets you cook items in your own special style. A total of 3 memory settings are available in this model. Set a memory setting as follows:

1. Press the "MEMORY" button repeatedly to select 1-3 memory.
2. Press the "TIME COOK" button, "00:00" will light in the display.
3. Press number keys to set the desired cooking time.
4. Press the "POWER" button; and "PL 10" will light in the display.
5. Press the number button to set the desired power; the display will show the percentage you choose.
6. Press the "START/+30SEC" button once to save your setting into the chip. Press the "START/+30SEC" button again, cooking will start.
7. Press the "MEMORY" button repeatedly to choose the memory setting in order to cook the desired item. Press the "START/+30SEC" button to start cooking. The display will countdown the remaining cooking time in minutes and seconds, It will beep five times when cooking is completed, Remember above setting for future use.

## **KITCHEN TIMER:**

1. Press "KITCHEN TIMER,"
2. Press the number keys to enter the desired alarm time, for example press 0-2-3-0 for 2 minutes 30 seconds (the maximum alarm time is 99 minutes and 99 seconds.)
3. Press "START/+30SEC" to confirm setting.
4. When the time on the alarm has expired, the clock indicator will go out and the buzzer will ring 5 times.

## **INQUIRY:**

- Press the "POWER" button during cooking; the display will show current power level for 3 seconds.
- Press "CLOCK" button during cooking, the display will show the time for 3 seconds.

**CARE OF YOUR MICROWAVE OVEN:**

1. Turn the oven off and remove the power plug from the wall socket before cleaning.
  2. Keep the inside of the oven clean. When food splatters or spilled liquids adhere to oven walls, wipe with a damp cloth. The use of harsh detergent or abrasives is not recommended.
  3. The outside oven surface should be cleaned with a damp cloth. To prevent damage to the operating parts inside the oven, water should not be allowed to seep into the ventilation openings.
  4. Do not allow the Control Panel to become wet. Clean with a soft, damp cloth, Do not use detergents, abrasives or spray-on cleaners on the control Panel.
  5. If steam accumulates inside or around the outside of the oven door, wipe with a soft cloth. This may occur when the microwave oven is operated under high humidity conditions and in no way indicates malfunction of the unit.
  6. It is occasionally necessary to remove the glass tray for cleaning. Wash the tray in warm sudsy water or in a dishwasher.
  7. The roller ring and oven cavity floor should be cleaned regularly to avoid excessive noise. Simply wipe the bottom surface of the oven with mild detergent, water or window cleaner and dry. The roller ring may be washed in mild sudsy water or dish washer. Cooking vapour collect during repeated use but in no way affect the bottom surface or roller ring wheels.
- When removing the roller ring from cavity floor for cleaning, be sure to replace it in the proper position.
8. Remove odors from your oven by combining a cup of water with the juice and skin of one lemon in a deep microwaveable bowl. Microwave for 5 minutes, wipe thoroughly and dry with a soft cloth.
  9. When it becomes necessary to replace the oven light, please consult a dealer to have it replaced.

