



WARNING: MOVING PARTS - RISK OF INJURY

Keep all objects away from moving parts during operation.
Ensure all nuts, bolts and clamps are sufficiently tight and
read user manual fully prior to operation. Keep away from liquids.

Should you have any issues with your F-Machine or require spare parts,
please contact your nearest F-Machine retailer or email us directly at sales@f-machine.com

Thank you for purchasing the F-Machine Gigolo. 'F' stands for **Fun** (honestly) and that is exactly what the F-Machine was designed for, FUN.

We have taken the utmost care in designing your F-Machine and we hope that it will service you and your friends for many years to come. Should you have any issues with your F-Machine or require spare parts, please contact your nearest F-Machine retailer or email us directly at sales@f-machine.com.

F-Machine Pro Contents

In your F-Machine box you should have the following:

- 2 x curved legs with feet - left hand and right hand
- 1 x leg T-piece with end cap
- 2 x bolts for leg assembly
- 1 x main head unit assembly
- 1 x thruster rod
- 1 x toy adaptor suitable for Vac-u-Lock products
- 1 x 8 inch toy
- 1 x autosensing 110/240V power supply with UK style kettle lead
- 1 x UK to EU mains power adaptor
- 1 x remote control + 12v 27A (MN27) battery
- 1 x 5mm hex key tool
- 1 x tool bag with additional tools for maintenance
- 1 x manual (you're reading it)

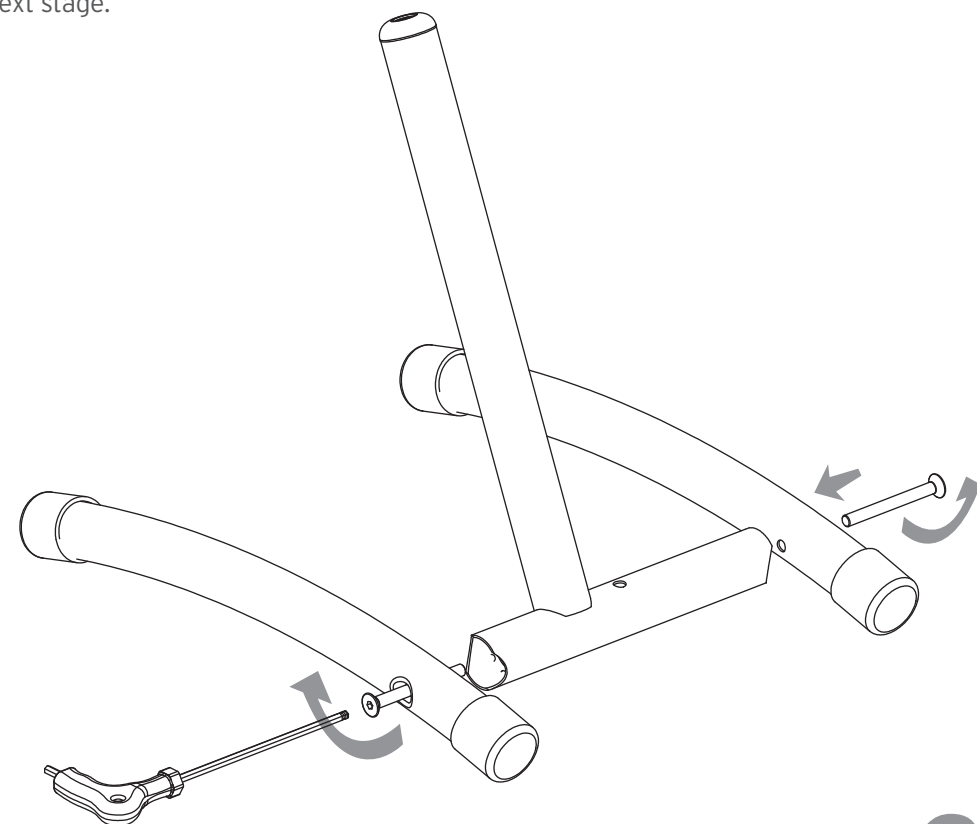
Assembly of the F-Machine Gigolo

Leg Assembly

Take both the curved legs (note that they are handed) and assemble them to the central T-shaped leg, using the large countersunk screws provided. Tighten until there is no movement between the pieces.

Place the F-Machine leg assembly on a firm flat surface before moving to the next stage.

Note: When operating the F-Machine, always make sure that it is used on a firm flat surface so that it will not fall over and cause any damage. Additional stability and operating positions can be achieved by use of the optional tie-down kit (sold separately).

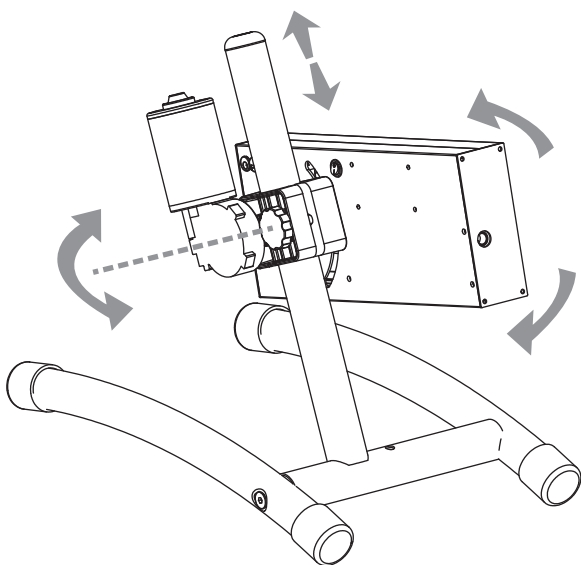
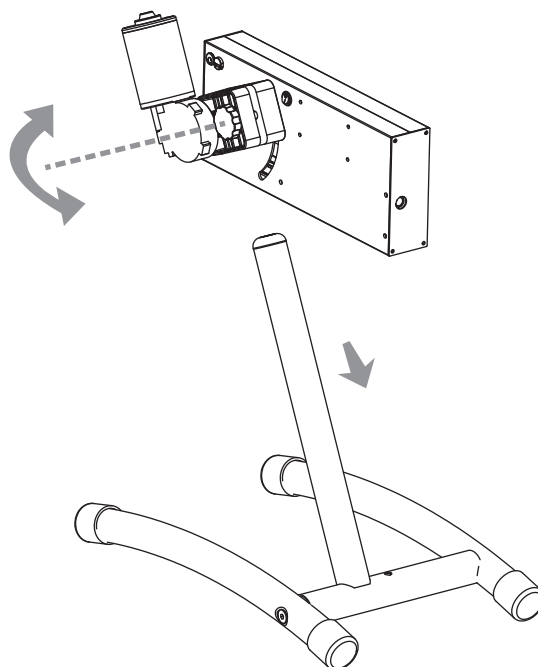




Now take the head unit of the machine (with the motor body facing upwards) and slide the clamp over the upright leg (you may need to loosen the clamp a few turns first if it is a little tight).

Once the head unit is in the desired position, tighten the hand wheel (clockwise) until the clamp grips the leg firmly.

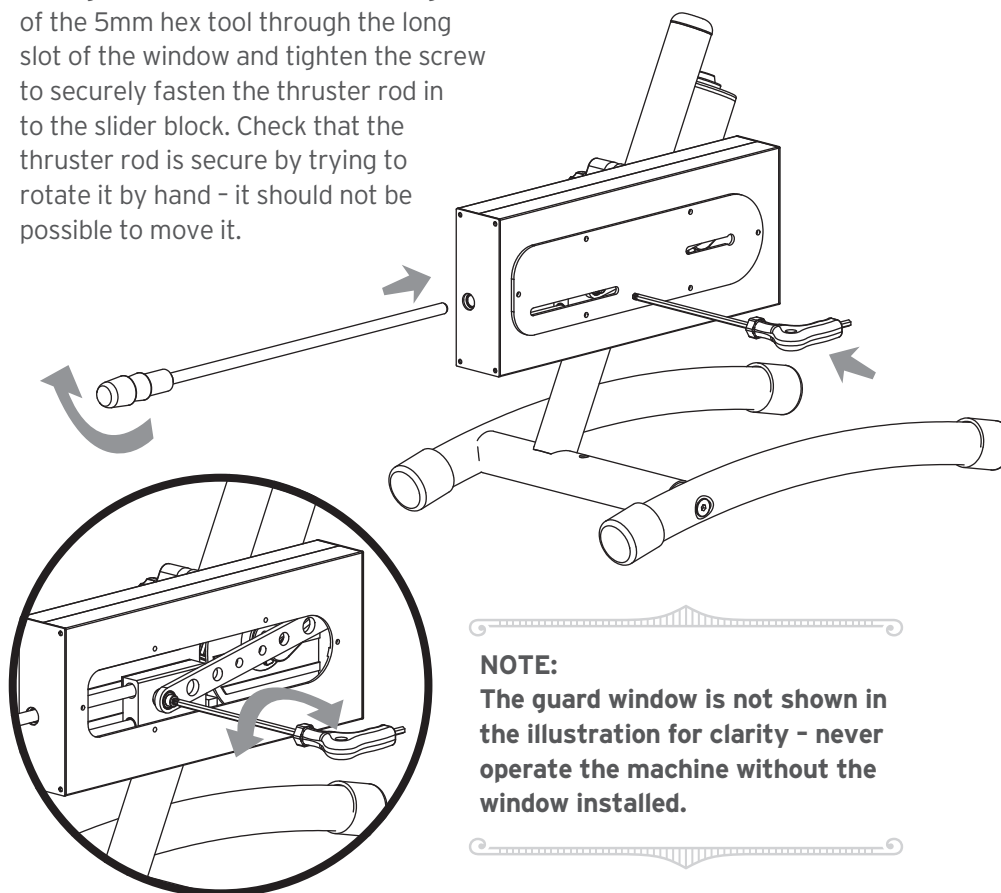
Note: Once the hand wheel is loose, never unwind it more than two full turns.



The hand wheel controls both the vertical position and the desired angle of the head unit. Simply loosen the clamp slightly to make adjustments to the existing position. Make sure the clamp is fully tightened after each adjustment. Support the head unit with one hand when loosening the hand wheel to prevent it dropping beyond the desired position.

Installing the thruster rod

First screw the toy adapter onto the end of the thruster rod. Next, slide the rod assembly through the hole in the front of the head unit until it is fully engaged in the slider block (it helps to look through the window). Insert the long end of the 5mm hex tool through the long slot of the window and tighten the screw to securely fasten the thruster rod in to the slider block. Check that the thruster rod is secure by trying to rotate it by hand - it should not be possible to move it.



NOTE:

The guard window is not shown in the illustration for clarity - never operate the machine without the window installed.



Adjusting the stroke of the thruster rod

The F-Machine Gigolo has a thruster rod stroke that is adjustable from one to four inches. To adjust the stroke you must carry out the following procedure:

First make sure the thruster rod is firmly secured to the slider block (see previous instruction).

Next insert the long end of the 5mm hex tool through the hole in the window in front of the crank. The tool should engage with the hexagonal key in the middle of the crank arm (fig. 1)

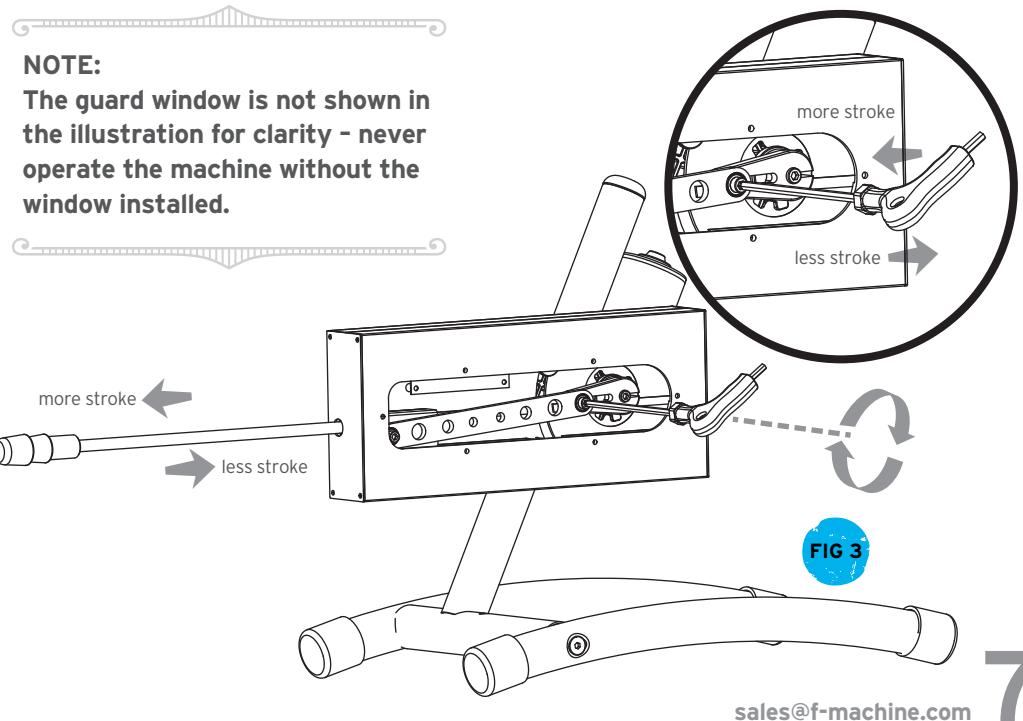
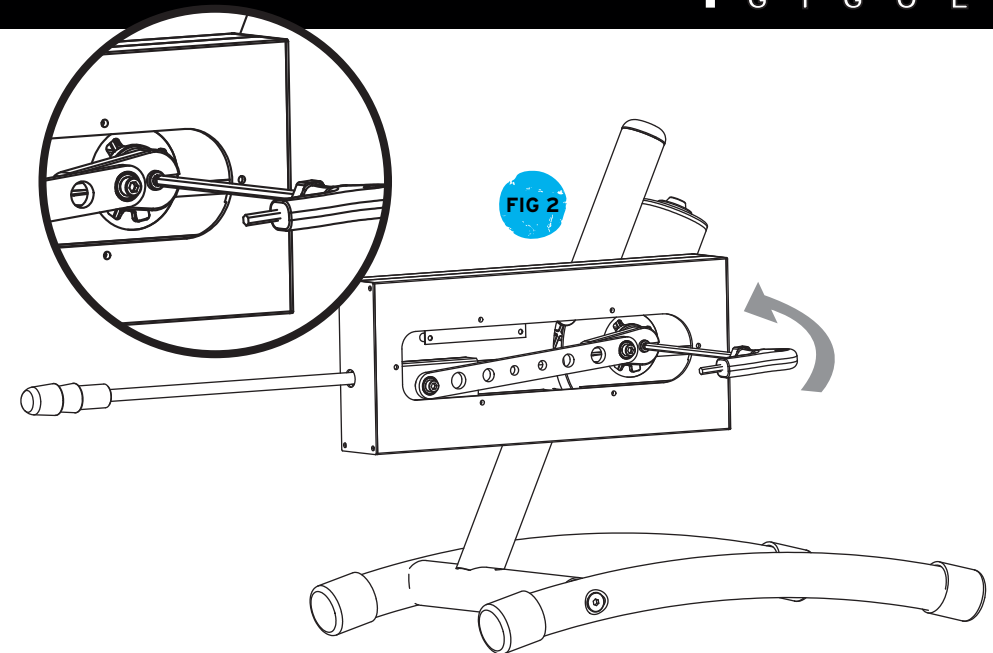
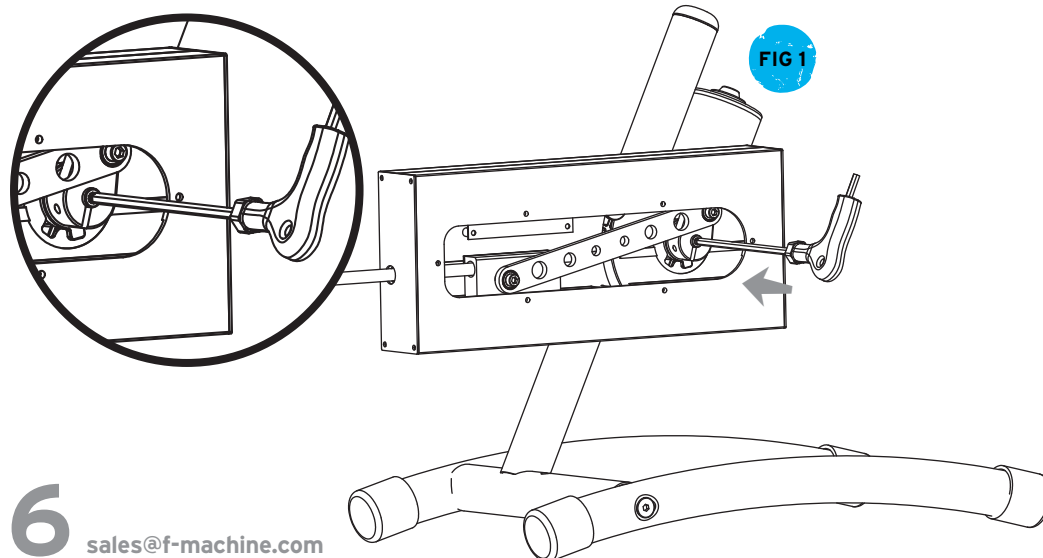
Rotate the hex tool in the appropriate direction so that the crank arm now points forward in line with the slot in the window (fig. 2)

Reposition the tool into the other hexagonal bolt on the crank (on the end of the connecting rod). With one hand on

the thruster rod, turn the hex tool about half a turn **anti-clockwise** to loosen the connecting rod bolt. You should now be able to adjust the stroke of the crank (it helps to push and pull on the thruster rod). Once you have set the desired stroke, simply tighten the connecting rod bolt firmly with a **clockwise** motion of the hex tool (fig 3).

NOTE:

Do not attempt to completely unwind the connecting rod bolts or you may damage your machine. Never put the 5mm tool through the slot in the window if the machine is operating. Never remove the front cover while the machine is operating.



NOTE:

The guard window is not shown in the illustration for clarity - never operate the machine without the window installed.



Connecting the power to the F-Machine

You have now set the desired head unit position and thruster stroke, so you can connect the power supply.

First check that the switch on the rear of the head unit is in the OFF position. You can now install the 90 degree connector from the power supply into the power inlet socket on the rear of the head unit.

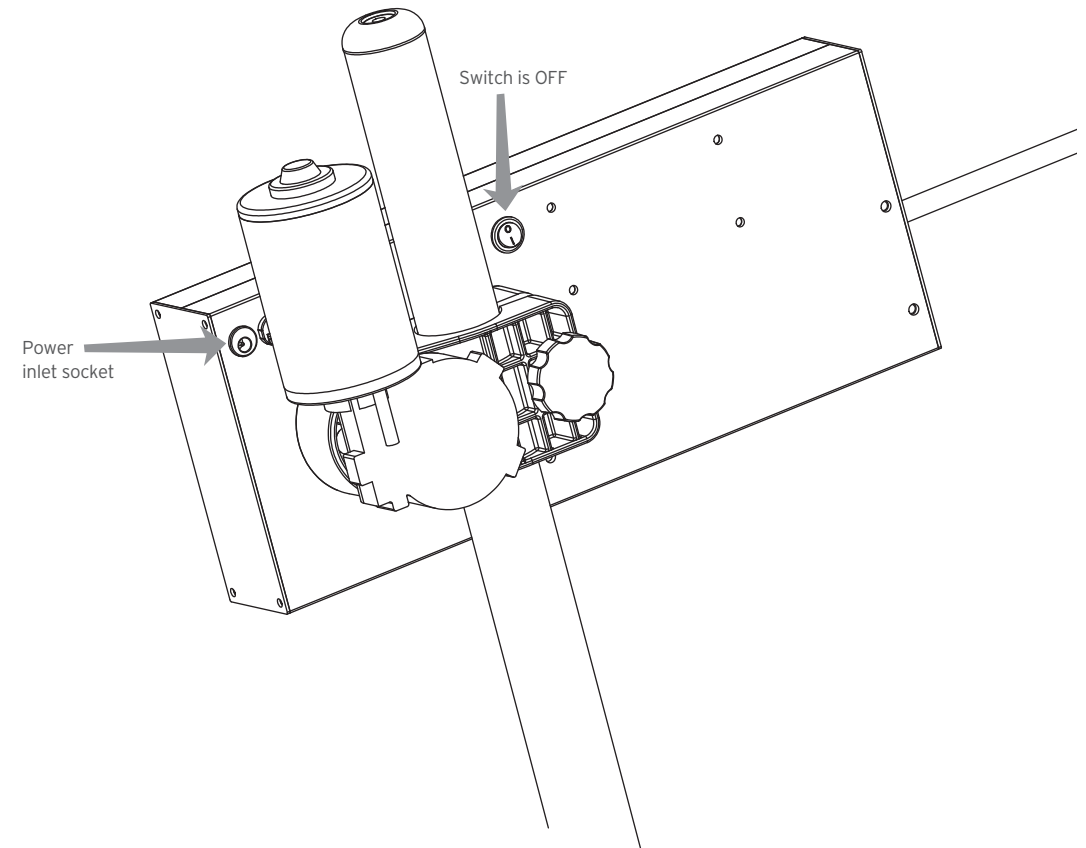
The power supply kettle lead plug can now be connected to a mains power socket and turned on. The LED indicator on the power supply should be lit. Finally, the switch on the head unit can be turned on and the blue LEDs inside the F-Machine head unit should now light up the window, giving you an indication that the machine is live.

NOTE:

The F-Machine power supply is a universal 110 / 240 volt auto-sensing unit that will adapt to the mains voltage of your country. There is no need to make any adjustment.

The F-Machine power supply will be supplied with a 'kettle lead' (IEC 60320-1 C13) and in most cases it will be fitted with a UK style mains plug. There may also be a UK to EU mains adapter (with earth) to cover the EU region.

If you reside outside of the EU, you may have to obtain a suitable IEC 60320-1 C13 cable (kettle lead) for your country which you can plug into the F-Machine power supply. These are commonly found on personal computers and other similar equipment. The alternative is to use an earthed adapter plug for your region.





Operating the machine with the remote control handset

The machine is now ready to operate and the speed can be controlled by the remote control handset. First fit the battery provided into the remote control handset and replace the cover.

Note: replacement battery - Type Code: 27A (MN27) 12 volt battery (ø8.0 x 28.2mm).

Once you are happy the F-Machine is free to operate without making contact with anything it shouldn't, set the switch on the front panel of the remote to the ON position (slide switch UPWARDS).

If the machine has just been powered on, the default starting speed will be zero RPM.

Press the upper button, marked with a '+' sign, a couple of times and then press the PAUSE/START button. The machine should start to thrust slowly.

The speed of the machine can now be increased or decreased by further pressing the '+' or '-' buttons respectively.

Once the machine is operating at the desired speed, it can be stopped by pressing the PAUSE/START button. By pressing the PAUSE/START button again, the machine will start at the same speed as before. However, if the machine is powered off or disconnected from the mains, the default starting speed will be zero RPM again.

Note: The F-Machine electronics have been designed to cut out if the machine is stalled for any reason. If this occurs, remove whatever has caused the concern and simply restart the machine with the remote control handset. Never attempt to stall the machine on purpose.

There are many toys available for your F-Machine, most of which were originally designed for use with 'Vac-u-Loc' style harnesses; please check your nearest adult toy supplier for the appropriate attachments for you and your friends to enjoy. We also supply an adapter for toys with a suction cup base which will also fit most flanged base type toys. Please see our website for details.

Note: the maximum weight of any attachments on the thruster rod should be no more than 600g or damage may be caused to the machine.



SAFETY WARNING:

If the machine is operated for extended periods at high speed and loads the motor will become HOT. This is within the design capability of the motor. However, care must be taken to not touch the motor surface to avoid scalding. Observe and follow the safety labels on your machine. Do not cover the motor or allow it to come into contact with anything.



Fault finding

F-Machine does not start or runs intermittently

Once plugged into the mains socket the LED indicator on the power supply should be lit. If it is not, conduct the following checks.

Check the wall socket connection is fully engaged and switched on (you can verify that the socket is live by plugging another appliance into the same socket).

Test and replace the fuse in the mains plug of your F-Machine and check the kettle lead interface into the power supply is connected properly. If the power supply LED remains unlit you will need to obtain a replacement power supply. Please contact your F-Machine retailer. Never attempt to open the power supply as you may be exposed to mains voltages inside.

Once you have verified the power supply is working, check to see if the LED lights inside the machine head unit are on (look through the front window of the head unit). If they are not lit, conduct the following checks.

Check the power cable between the power supply and the head unit for signs of damage. Check that the 90 degree electrical connector is correctly inserted into the inlet plug on the back of the F-Machine head unit. Check the switch on the head unit is set to the ON position. If the LEDs in the head unit are still not lit then you have an internal electrical fault with your machine. Please contact your F-Machine retailer for assistance.

If the internal LEDs are lit then conduct the following checks on the remote controller.

Check that the battery is inserted correctly and replace if necessary. Check for signs of damage to the controller. Follow the starting procedure previously detailed in this manual. If the machine still does not start, check that the crank arm and slider mechanism can rotate and are free to move. This can be done by inserting the 5mm hex tool through the slot in the window and engaging it with the hex

socket in the middle of the crank arm. If the crank arm will turn and there is no obvious sign of any obstruction then the fault is most probably with the remote control handset. Please contact your retailer for assistance.

If the crank arm will not turn or the slider is obviously jammed it may be possible to fix the concern by removing the front cover of the machine and making the necessary adjustments. This should only be carried out by mechanically competent persons and the machine must be disconnected from the power supply whilst the cover is removed. The cover must be replaced after the repair is carried out and before using the machine again. Another potential reason the crank arm may not turn is due to a seized/broken motor. If this is suspected, please contact your F-Machine retailer for assistance.

F-Machine makes a 'knocking' or other strange noise

Inevitably the F-Machine will make some noise during operation, however if that noise seems to be excessive compared to normal, carry out the following checks (only to be carried out by mechanically competent persons):

Making sure the machine is totally disconnected from the power supply, remove the front cover of the head unit (4 screws) and check the crank arm is tight on the motor shaft.

Check the con-rod is tight both on the crank arm and on the slider block. Check the slider rod and blocks are held tightly and are firmly fixed to the back plate. Check the slider block plastic slider bearings for play and replace if excessively worn (contact your F-Machine retailer). Check the thruster rod is held tightly in the slider block. Rock the crank arm back and forth with the con rod disconnected and listen for a knocking noise coming from the motor gearbox. If the noise comes from the gearbox then carefully remove the gearbox cover and re-grease it.



General Safety Notes (Important)

Delivery

Immediately check the packaging and F-Machine for any damage which may have been caused in transit. Do not use a damaged F-Machine, consult your supplier.

Please dispose of the packing material sensibly & responsibly, recycling where appropriate.

The corrugated cardboard is constructed from recycled paper.

Electrical connection & other safety notes

Please read the operating instructions before using the F-Machine for the first time.

Please observe the instructions contained in the Operating Instructions.

Please consider all warnings.

Make sure that all power connections (extension cables and the connections between the F-Machine components) have been made properly and in accordance with the manufacturer's instructions.

Before making or changing the connections, power off the F-Machine and unplug the mains connection plug.

If you have any doubts regarding the installation, operation or safety of the F-Machine, please refer to the vendor.

Do not cover the ventilation openings of the F-Machine .

Overheating causes damage and shortens the service life of the F-Machine.

Your F-Machine may be damaged if you place it under direct sunshine or close to a heater. Please abstain from using the product in very hot or humid locations or in places where the temperature is likely to decrease below 5°C (41°F). Do not place the F-Machine on or near any hot objects or items with open flames such as candles or any night lamps. The high temperature can melt plastic parts and cause a fire.

Never operate F-Machines close to water. For example, operating F-Machines near a bathtub, washbasin, wet basement or swimming pool can cause fire or electric shock.

Do not allow your F-Machine to get wet. Never pour any liquids onto the F-Machine. Do not operate your F-Machine if any solid or liquid substance enters into it. This can cause electric shock and your F-Machine may be damaged. Have it checked immediately by qualified personnel.

Always place the F-Machine on a firm, flat and horizontal surface during operation. Never place or operate the F-Machine on soft furnishings.

Never operate the F-Machine on a raised surface (such as a table), where there is insufficient flat surface available or where it could be knocked over and cause injury or damage to property.

Never leave an F-Machine plugged in unattended. Keep out of the reach of minors and away from animals.

Never deliberately jam the crank arm or slider mechanism.

Your F-Machine is a grounded product (Class I) and it must certainly be connected to a grounded socket.

The socket into which you plug in the AC power cable or the adaptor must be within easy reach.

Turn off your F-Machine with the on/off switches and then unplug it in order to disconnect it from mains. Do not use defective power sockets. Make sure that the plug is firmly inserted into the power socket. If the plug remains loose, then it can cause fire due to arcing. Refer to an electrician to have your power socket replaced.

Make sure that the power cable is not stepped on and that there is no bending at the plug sections, plug heads and F-Machine output point.

Use only the add-ons/accessories specified by the manufacturer.

Use only together with the bases, tripods, brackets or stands specified by the manufacturer or sold along with the product.

Unplug the power cable during thunderstorms or when you will not use your F-Machine for a long period of time.



Consult authorised service personnel for service requirements. Never attempt to repair the F-Machine yourself. Opening the electronics control housing can expose you to dangerous voltages or other hazardous situations. Service is required in situations such as damage to the power cable of the F-Machine or its plug, water spills or substances falling into the F-Machine, if the F-Machine is subjected to rain or moisture, it does not operate normally or it is dropped.

Wipe the F-Machine clean with a soft and dry cloth. Wipe dust gently with a soft cloth. Stubborn stains can be cleaned with a cloth slightly moistened with soap and lukewarm water. Never use solvents such as thinners or gasoline for cleaning. Unplug the AC power cable from the socket when cleaning the F-Machine. Otherwise, there is the risk of electric shock.

Do not short circuit, dismantle or modify your F-Machine.

Dispose of the F-Machine in accordance with the local laws and regulations in order to protect our environment.

Do not dispose of your F-Machine with regular household waste. Observe local laws and regulations for disposal.

Do not operate the F-Machine whilst under the influence of drugs or alcohol.

Do not use the F-Machine when pregnant.

Consult your doctor about any existing medical conditions before using the F-Machine.

Disclaimer

F-Machine is a FUN-Machine designed for fun use. Where that fun takes you is entirely up to you and entirely at your own risk. We at F-Machine accept no liability or responsibility whatsoever for injury or death caused as a result of the use of the F-Machine.

As already stated in this manual, the F-Machine is very powerful and great care **MUST** be taken at all times when using it.

If for any reason you are not happy with the F-Machine, then please return it unused in its original packaging within 14 days & you will be issued with a full refund.



Warning: Changes or modifications to this unit not expressly approved by the party responsible for compliance could void the user's authority to operate the equipment.

Note: This equipment has been tested and found to comply with the limits for a Class B digital device, pursuant to Part 15 of the FCC Rules. These limits are designed to provide reasonable protection against harmful interference in a residential installation. This equipment generates, uses and can radiate radio frequency energy and, if not installed and used in accordance with the instructions, may cause harmful interference to radio communications. However, there is no guarantee that interference will not occur in a particular installation. If this equipment does cause harmful interference to radio or television reception, which can be determined by turning the equipment off and on, the user is encouraged to try to correct the interference by one or more of the following measures:

- Reorient or relocate the receiving antenna.
- Increase the separation between the equipment and receiver.
- Connect the equipment into an outlet on a circuit different from that to which the receiver is connected.
- Consult the dealer or an experienced radio/TV technician for help.